

MODEL 58TF – INCREMENTAL THRU-BORE ENCODER



Ø58 mm

FEATURES

- 58 mm Thru-Bore or Hollow Bore (Blind)
- Standard and Metric Thru-Bore Sizes up to 5/8" and 15 mm
- Resolution from 1 to 65,536 CPR
- Several Flexible Mounting Options
- Sealing Options up to IP67
- Multiple Connector Options

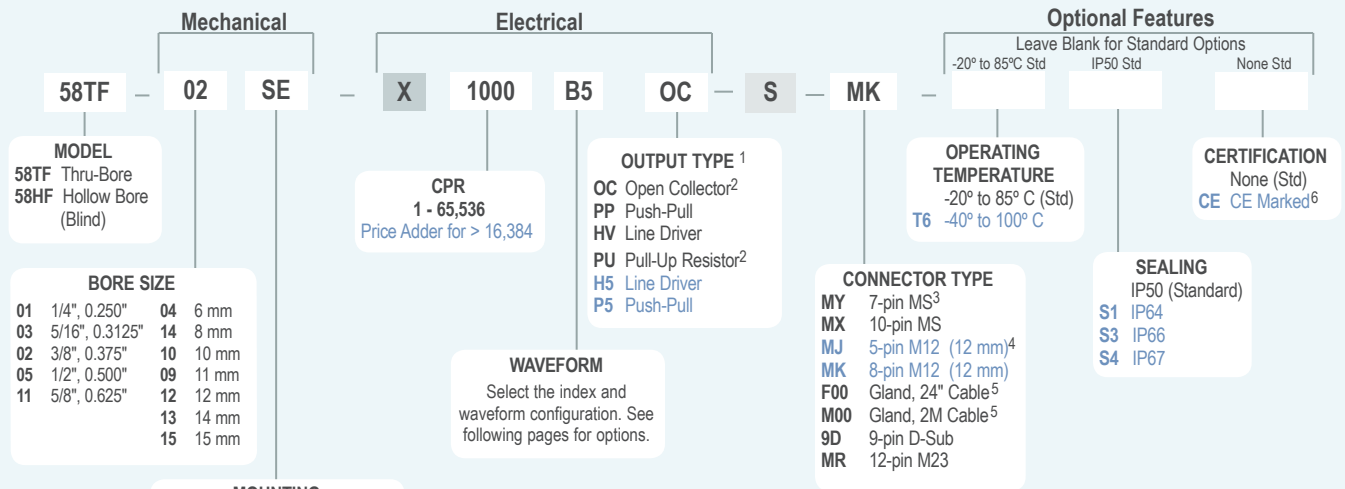
The Model 58TF Accu-CoderPro™ is a 58 mm thru-bore encoder that is specifically designed for the challenges of an industrial environment. Its advanced set of electronics allow the encoder to be configured to meet your exact application needs. Choose from 6 output types, 32 different waveforms, and select any resolution from 1 to 65,536 CPR (that's 262,144 counts in full quadrature). The Model 58TF is also highly mechanically configurable, with bore options up to 5/8" or 15 mm, several flexible mounting options, multiple connector options, and sealing up to IP67. This versatile thru-bore encoder can go in almost any application.

COMMON APPLICATIONS

Motor Control, Conveyors, Elevator Controls, Machine Control, Food Processing, Process Control, Robotics, Material Handling, Textile Machines and all types of Motion Control Feedback

MODEL 58TF ORDERING GUIDE

Blue type indicates price adder options. Not all configuration combinations may be available. Contact Customer Service for details.



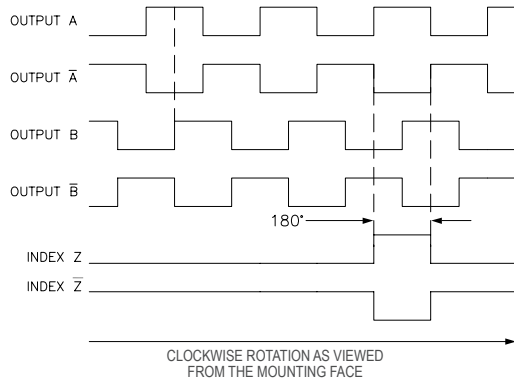
NOTES:

- All output types are 5V to 30V in/out **except** H5 Line Driver and P5 Push-Pull output types, which are 5-30VDC in and 5VDC out.
- Open Collector (OC) and Pull-Up Resistor (PU) outputs not recommended for CPR > 8192 and/or frequencies > 150 KHz.
- 7-pin MS Connector does not provide Index Pulse Z when selected output is Line Driver (HV or H5).
- 5-pin M12 Connectors only available with Pull-Up, Open Collector, and Push-Pull output types.
- For non-standard English cable lengths enter 'F' plus cable length expressed in feet. Example: F06 = 6 feet of cable. For non-standard metric cable lengths enter 'M' plus cable length expressed in meters. Example: M06 = 6 meters of cable. Frequency above 300 KHz standard cable lengths only.
- Please refer to Technical Bulletin [TB100: When to Choose the CE Mark](#) at encoder.com.

ACCU-CODERPRO™
 by Encoder Products Company

EPC STANDARD WAVEFORM (B5)

Additional waveforms available. See below for other options.



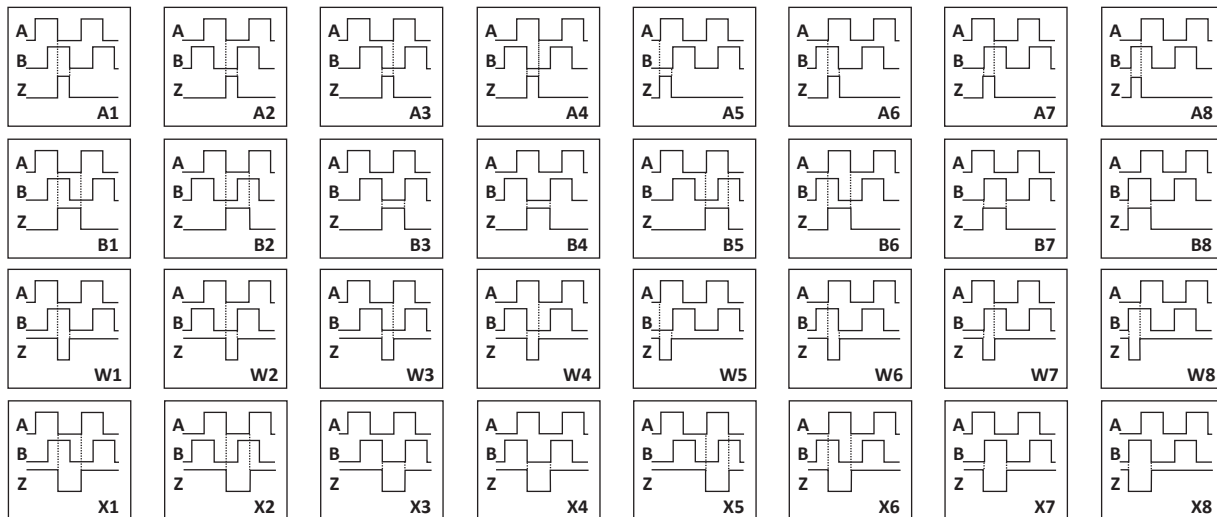
NOTE: ALL DEGREE REFERENCES ARE ELECTRICAL DEGREES.
COMPLEMENTARY SIGNALS A, \bar{B} , \bar{Z} APPLY TO LINE DRIVER (HV & HS) OUTPUTS ONLY.



An EPC Thru-Bore Encoder in a common application, mounted on a motor with an SJ Flex Mount

WAVEFORMS

Choose any of these waveforms when ordering.



Odd numbers - A leads B
Even numbers - B leads A

A and B - High Going Index
W and X - Low Going Index

A and W - 90 Degree Index
B and X - 180 Degree Index