

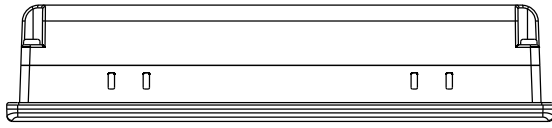
7" Widescreen HMI with Ethernet



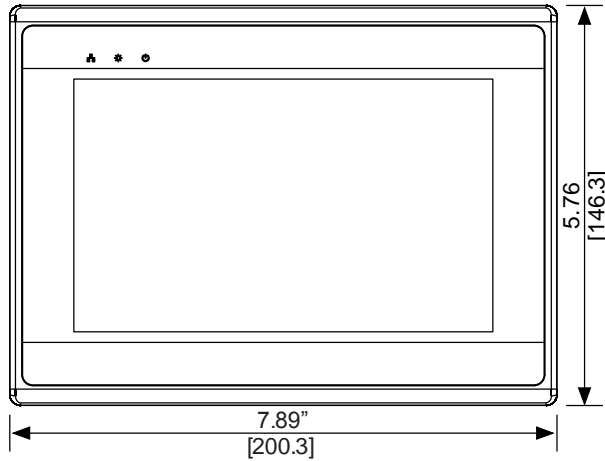
- 800 x 480 Pixel Resolution
- 256MB DRAM
- Ethernet
- 2 Serial Ports + 1 CANbus Port

System	CPU	32-bit RISC Cortex-A8, 1 GHz
	Memory (RAM)	256 MB
	Memory (Flash)	256 MB
	RTC	Built-in
I/O Ports	Serial	1 x DE9P COM1: RS-232, COM3: RS-232* 1 x DE9S COM1: RS-485 2 or 4 wire, COM3: RS-485 2 wire
	Ethernet	1 x 10/100 Base-T
	CANbus	Yes
	USB Host	1 x USB 2.0
	USB Client	1 x micro USB 2.0
	Audio	N/A
	Video	N/A
	Wi-Fi	N/A
	HDMI	N/A
	SD Card Slot	SD/SDHC
Display	Display Type	7" TFT LCD
	Size (W x H)	6.04 x 3.64 inches [153 x 92 mm]
	Resolution (pixels)	800 x 480
	Luminance (cd/m ²)	500
	Contrast Ratio	500:1
	Max. Colors	16.7 M
	Backlight Lifetime (hours)	30,000+
Touch Screen	Type	4-wire resistive touch
	Active Area Accuracy	Length (X) ± 2%, width (Y) ± 2%
Electrical	Input Voltage	24 ± 20% VDC
	Input Current	400 mA @ 24 VDC
	Power Isolation	Built-in
	Isolation Resistance	Exceed 50 MΩ at 500 VDC
Mechanical	Enclosure	Aluminum, charcoal grey
	PCB Coating	Yes
	Dimensions (W x H x D)	7.89 x 5.76 x 1.67 inches [200 x 146 x 43 mm]
	Weight	1.98 lbs. [0.9 kg]
Environmental	Mounting	Panel mounting
	Operating Temperature	-4° ~ 122° F (-20° ~ 50° C)
	Storage Temperature	-4° ~ 158° F (-20° ~ 70° C)
	Relative Humidity	10% ~ 90% (non-condensing)
	Vibration Endurance	10 to 25 Hz (X, Y, Z direction, 2 G, 30 minutes)
	Ratings	IP66 compliant front panel, NEMA 4X indoor use only
Software	Certifications	cULus, CE, RoHS
Software	EZwarePlus (v4.00.01 or later)	
Notes	*RTS/CTS cannot be used for COM1 RS-232 while COM3 RS-232 is in use.	

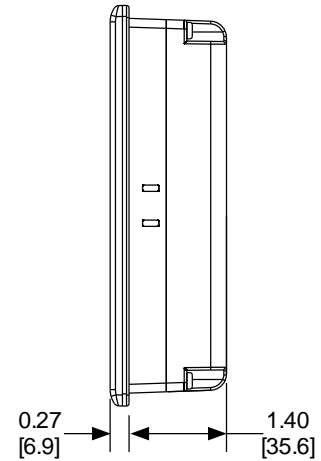
Top View



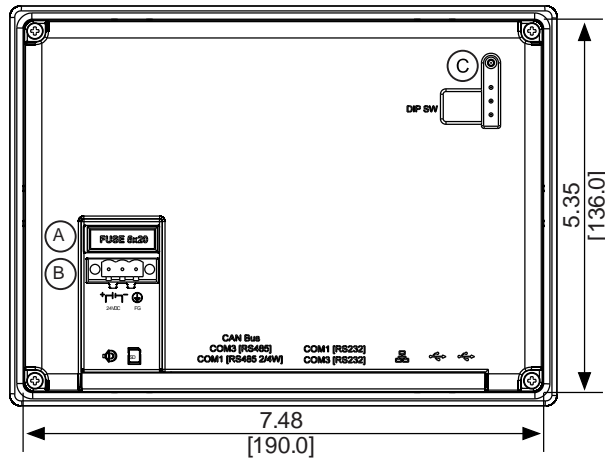
Front View



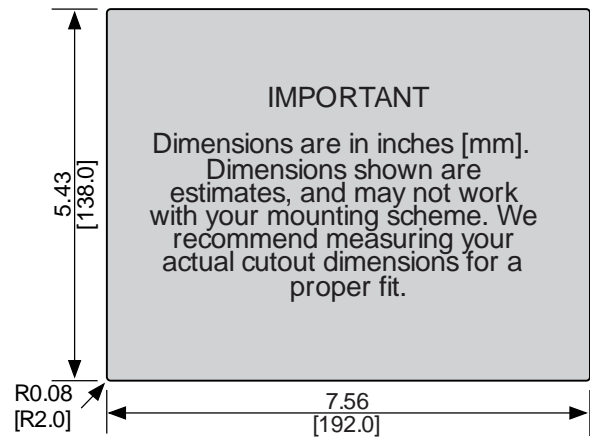
Side View



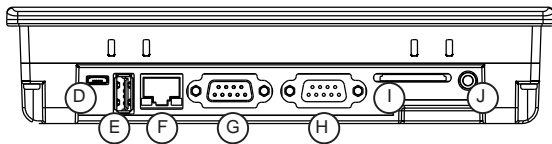
Rear View



Cutout Dimensions



Bottom View



Dimensions are in inches [mm]

- Ⓐ Fuse
- Ⓑ Power Connector
- Ⓒ DIP Switches
- Ⓓ Micro USB 2.0 Port
- Ⓔ USB 2.0 Host Port
- Ⓕ Ethernet Port
- Ⓖ Com Port DE9P
- Ⓗ Com Port DE9S
- Ⓖ SD Card Slot
- Ⓙ Line Out