



12.1" High-Speed HMI

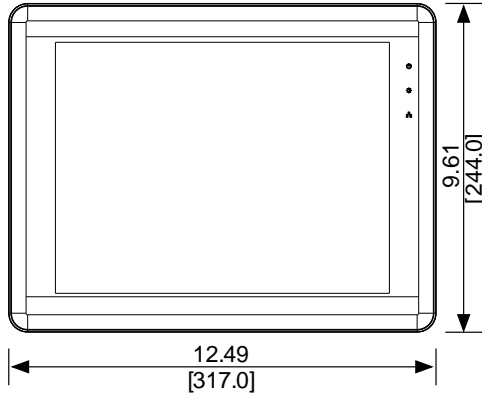
- 1024 x 768 Pixel Resolution
- Ethernet
- 2 Serial Ports
- 1 CANbus Port

System	CPU	32-bit RISC, 800 MHz
	Memory (RAM)	256 MB
	Memory (Flash)	256 MB
	RTC	Built-in
I/O Ports	Serial	1 x DE9P COM1: RS-232, COM3: RS-232* 1 x DE9S COM1: RS-485 2 or 4 wire, COM3: RS-485 2 wire
	Ethernet	1 x 10/100 Base-T
	CANbus	Yes
	USB Host	1 x USB 2.0
	USB Client	1 x USB 2.0
	Audio	N/A
	Video	N/A
	Wi-Fi	N/A
	HDMI	N/A
	SD Card Slot	SD/SDHC
Display	Display Type	12.1" TFT LCD
	Size (W x H)	9.76 x 7.34 inches [248 x 187 mm]
	Resolution (pixels)	1024 x 768
	Luminance (cd/m ²)	500
	Contrast Ratio	700:1
	Max. Colors	16.2 M
	Backlight Lifetime (hours)	50,000+
Touch Screen	Type	4-wire resistive touch
	Active Area Accuracy	Length (X) ± 2%, width (Y) ± 2%
Electrical	Input Voltage	24 ± 20% VDC
	Input Current	850 mA @ 24 VDC
	Power Isolation	Built-in
	Isolation Resistance	Exceed 50 MΩ at 500 VDC
Mechanical	Enclosure	Aluminum, charcoal grey
	PCB Coating	Yes
	Dimensions (W x H x D)	12.48 x 9.61 x 1.81 inches [317 x 244 x 46 mm]
	Weight	4.63 lbs. [2.1 kg]
Environmental	Mounting	Panel or VESA 75 x 75 mm mounting
	Operating Temperature	32° ~ 122° F (0° ~ 50° C)
	Storage Temperature	-4° ~ 158° F (-20° ~ 70° C)
	Relative Humidity	10% ~ 90% (non-condensing)
	Vibration Endurance	10 to 25 Hz (X, Y, Z direction, 2 G, 30 minutes)
	Ratings	IP66 compliant front panel, NEMA 4X indoor use only
Software	Certifications	cULus, CE, RoHS
Software	EZwarePlus (v4.00.01 or later)	
Notes	*RTS/CTS cannot be used for COM1 RS-232 while COM3 RS-232 is in use.	

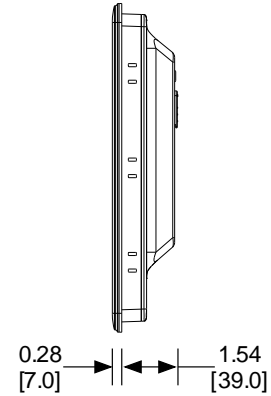
Top View



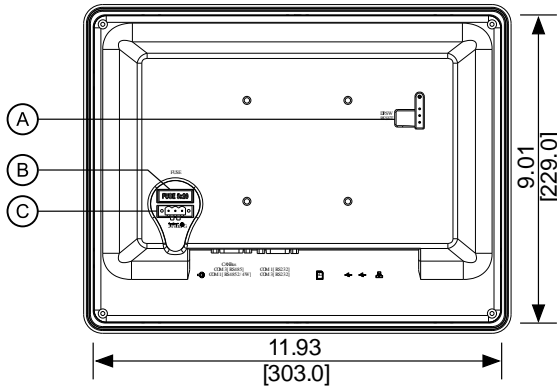
Front View



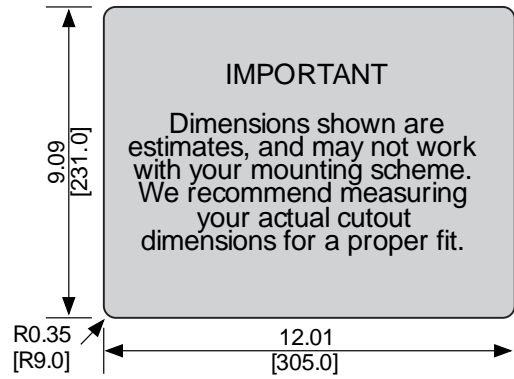
Side View



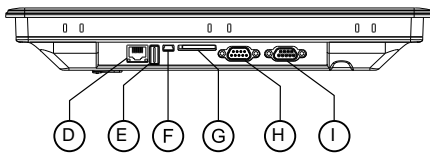
Rear View



Cutout Dimensions



Bottom View



Dimensions are in inches [mm]

- (A) DIP Switches & Reset (B) Fuse (C) Power Connector (D) Ethernet Port
- (E) USB 2.0 Host Port (F) Mini USB 2.0 Port (G) SD Card Slot (H) COM Port DE9P
- (I) COM Port DE9S