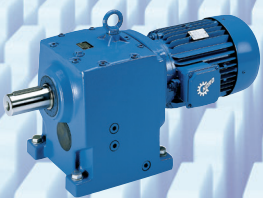
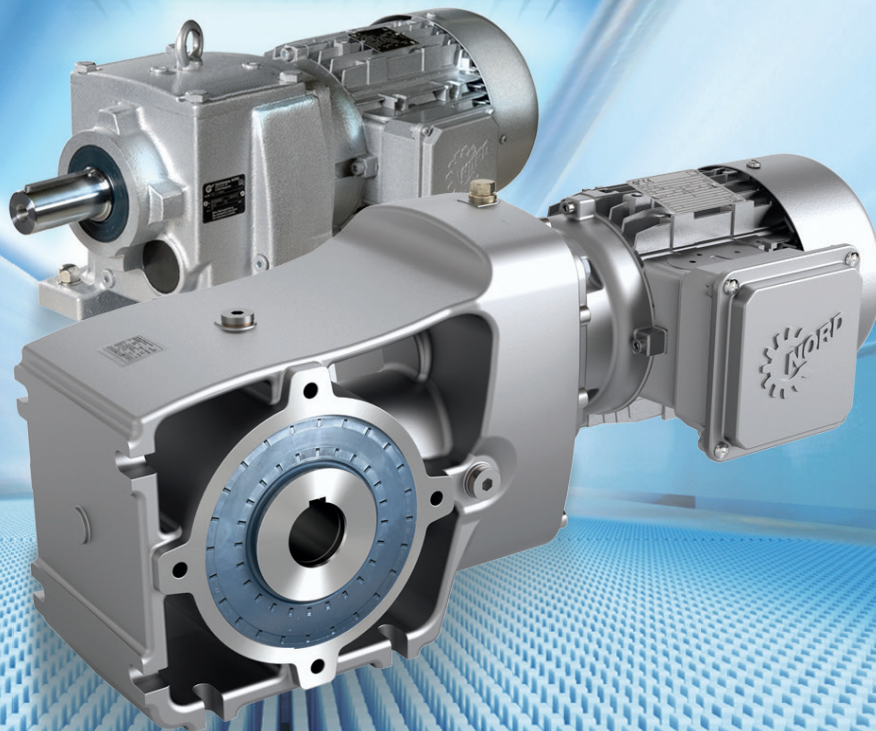


Intelligent Drivesystems, Worldwide Services



EN

CONSTANT SPEEDS

G1000 **IE3**

50 Hz • mm


DRIVESYSTEMS

Contents

INTRODUCTION

GEAR UNIT DESCRIPTION

GEAR UNIT SELECTION

OPTIONS

LUBRICANTS

STANDARDS, REGULATIONS, NOMENCLATURE

OIL FILL VOLUMES

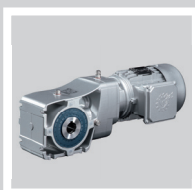
PAINTING

OVERVIEW OF POWERS AND SPEEDS

POWER AND SPEED TABLES

DIMENSIONED DRAWINGS

APPENDIX



DRIVESYSTEMS

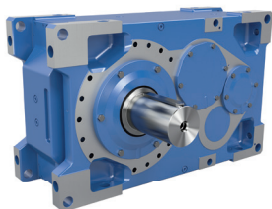
www.nord.com



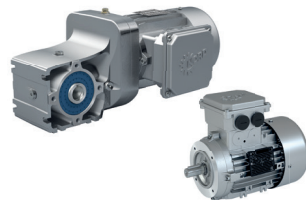
Headquarters and Technology Centre

- in Bargteheide, near Hamburg

Industrial gear units



Gearmotors



Electronic products

Frequency inverters, motor starters and field distributors



Innovative drive solutions

- for more than 100 branches of industry



Gear unit production



Motor production



Inverter production

7 production locations with cutting edge technology

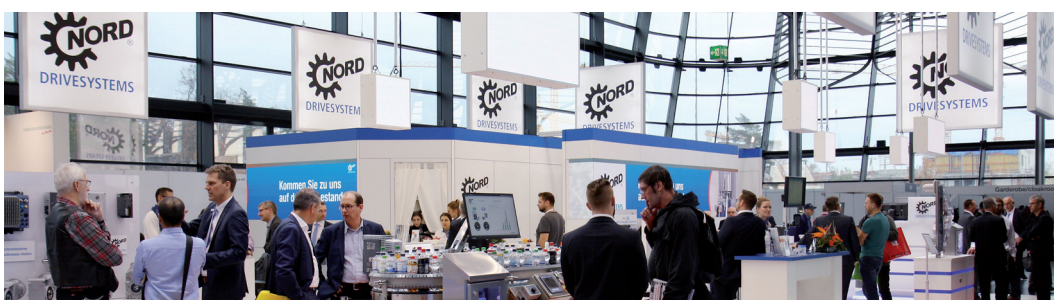
- Produce gear units, motors, inverters, etc. for complete drive solutions from a single source



The map shown above is for information only and does not claim to be created for or applicable to any legal purpose. For this reason, we do not assume any liability for legality, correctness and completeness.

Subsidiaries and sales partners in 98 countries on 5 continents

- Provide local supplies
- Assembly centres
- Technical support
- and customer service



More than 4,000 employees worldwide

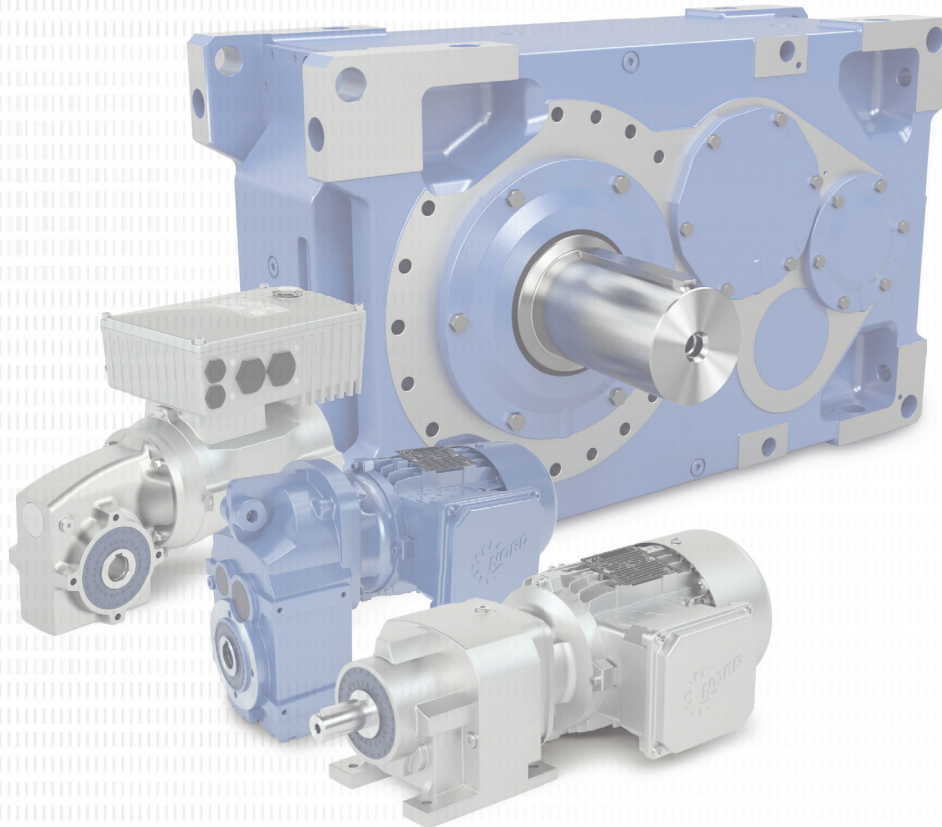
- Create customised solutions

Catalogue G1000 IE3 • 50 Hz

Introduction

Since 1965, our family business has developed into one of the world's leading complete suppliers of mechanical and electronic drive technology. We supply individual drive solutions and our innovations set global standards.

Our focus is to provide you with added value.



Since 1965 we have developed and manufactured all the major components for our mechanical and electronic drive technologies (gear units, electric motors and drive electronics). This wide-ranging in-house design and production capability allows us to offer our customers individual drive solutions. Our extensive manufacturing, test and research facilities feature cutting-edge technology and equipment. With our know-how and experience, we meet the most stringent quality demands.

The UNICASE concept, which we developed in 1981 quickly became the international standard for the manufacture of gear unit housings.

Today, the focus of our innovation is on intelligent, functionally variable drive technology for Industry 4.0.

Please note that standards and directives are subject to constant change. Even though we make every endeavour to ensure that this information is correct, this document cannot provide a substitute for a study of the relevant directives or import regulations.



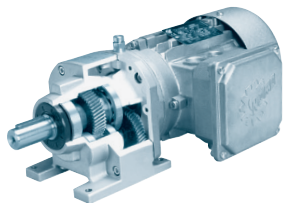
You can find the catalogues and brochures on the NORD homepage under www.nord.com
- Heading: DOCUMENTATION

Content

Catalogue G1000 IE3 · 50 Hz

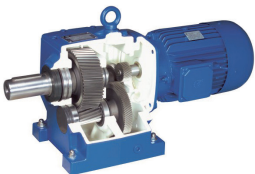
OVERVIEW OF PRODUCTS AND CATALOGUES

DESCRIPTION OF GEAR UNITS



NORDBLOC.1 helical gear units	A	8	(8)
Helical gear units	A	9	(9)
Parallel shaft gear units	A	9	(9)
Bevel gear units	A	10	(10)
Helical worm gear units	A	11	(11)
W, IEC and AI adapters	A	12	(12)
Maximum permissible motor weight	A	13	(13)
Motor bracket MK	A	13	(13)

VERTICAL INSTALLATION OF GEAR UNITS AND GEARED MOTORS



Outdoor installation, tropical use	A	14	(14)
Special ambient conditions	A	14	(14)
Storage before commissioning	A	14	(14)
Venting	A	14	(14)
Double gear units	A	15	(15)
Drives for blowers, agitators, mixers and fans	A	15	(15)

GEAR UNIT SELECTION

Criteria	A	16	(16)
Drive power and operating factor	A	17	(17)
Classification of uniformity of operation	A	18	(18)
Radial force F_R / Axial force F_A	A	22	(22)
Radial force F_{R1} / Axial force F_{A1} - Gear unit input shaft - W	A	24	(24)

OPTIONS



Overview of available versions	A	26	(26)
Drive types	A	27	(27)
Mounting options	A	27	(27)
Shaft options	A	28	(28)
Rubber buffers	A	29	(29)
Shrink discs	A	30	(30)
Fastening elements	A	35	(35)
Reinforced output shaft extensions VL2/VL3V	A	38	(38)
Backstop, direction of rotation	A	39	(39)
Adapters for attaching servo motors	A	41	(41)
Attachment adapter with free input shaft	A	42	(42)
Motor consoles	A	47	(47)
Water cooling	A	50	(50)

LUBRICANTS

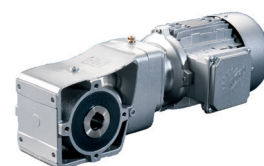
Oil cooler	A	51	(51)
Oil expansion tank	A	52	(52)
Oil storage tank	A	53	(53)
Lubricant types	A	54	(54)

STANDARDS, REGULATIONS, NOMENCLATURE

Nomenclature	A	56	(56)
Information about dimensioned drawings	A	60	(60)
Tolerances	A	61	(61)
Abbreviations	A	61	(61)

STANDARDS, REGULATIONS, NOMENCLATURE

Structure of power and gear ratio tables	A 62	(62)
Position of shafts, flanges, torque arms and shrink discs for angular gear units.	A 64	(64)
Terminal boxes and cable glands.	A 65	(65)
Installation positions	A 67	(67)
Symbols for oil screw plugs in the installation positions.	A 68	(68)



OIL FILL VOLUMES

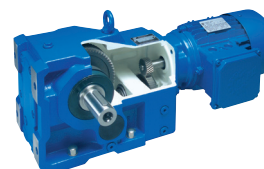
NORDBLOC.1 helical gear units	A 75	(75)
Helical gear units	A 76	(76)
Parallel shaft gear units	A 78	(78)
Bevel gear units	A 80	(80)
Helical worm gear units	A 82	(82)

PAINTING

	A 84	(84)
--	------	------

NORDBLOC.1 HELICAL GEAR UNITS

Enquiry form	B 2	(86)
Available versions.	B 3	(87)
Geared motor data	B 4	(88)
Dimensioned drawings.	B 44	(128)
Options	B 62	(146)



HELICAL GEAR UNITS

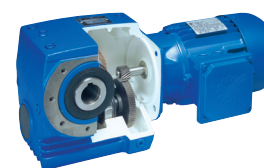
Enquiry form	C 2	(154)
Available versions.	C 3	(155)
Geared motor data	C 4	(156)
Dimensioned drawings.	C 63	(215)
Options	C 97	(249)

PARALLEL SHAFT GEAR UNITS

Enquiry form	D 2	(252)
Available versions.	D 3	(253)
Geared motor data	D 4	(254)
Dimensioned drawings.	D 61	(311)
Options	D 90	(340)

BEVEL GEAR UNITS

Enquiry form	E 2	(350)
Available versions.	E 3	(351)
Geared motor data	E 4	(352)
Dimensioned drawings.	E 60	(408)
Options	E 125	(473)



HELICAL WORM GEAR UNITS

Enquiry form	F 2	(484)
Available versions.	F 3	(485)
Geared motor data	F 4	(486)
Dimensioned drawings.	F 32	(514)
Options	F 55	(537)

APPENDIX

General enquiry form	G 2	(540)
--------------------------------	-----	-------

Product and catalogue overview

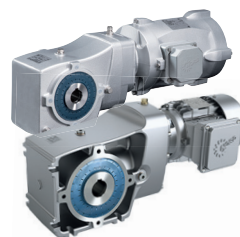
Helical gear unit (Catalogue G1000)



- Foot or flange mounted
- Long life, low-maintenance
- Optimum sealing
- UNICASE housing

Sizes	11
kW	0.12 – 160
Nm	10 – 26,000
i	1.35:1 – 14,340.31:1

2-stage bevel gear units (Catalogue G1000, G1014)



- Foot mounted, flange mounted or face mounted
- Hollow or solid shaft
- UNICASE housing

Sizes	6
kW	0.12 – 9.2
Nm	50 – 660
i	3.03:1 – 70:1

Parallel shaft gear units (Catalogue G1000)



- Foot mounted, flange mounted or face mounted
- Hollow or solid shaft
- Compact design
- UNICASE housing

Sizes	15
kW	0.12 – 200
Nm	110 – 100,000
i	4.03:1 – 6,616.79:1

3-stage bevel gear units (Catalogue G1000)



- Foot mounted, flange mounted or face mounted
- Hollow or solid shaft
- UNICASE housing

Sizes	11
kW	0.12 – 200
Nm	180 – 50,000
i	8.04:1 – 13,432.68:1

Helical worm gear units (Catalogue G1000)



- Foot mounted, flange mounted or face mounted
- Hollow or solid shaft
- UNICASE housing

Sizes	6
kW	0.12 – 15
Nm	94 – 3,090
i	4.40:1 – 7,095.12:1

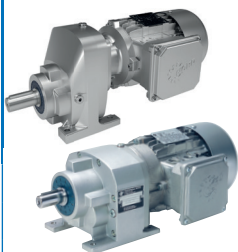
SMI worm gear units (Catalogue G1035)



- Smooth surfaces
- Lubricated for life

Sizes	4
kW	0.12 – 4.0
Nm	21 – 427
i	5.00:1 – 3,000.00:1

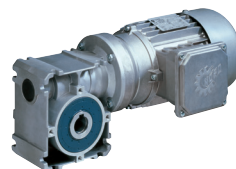
NORDBLOC.1 helical gear units (Catalogue G1000, G1012)



- Foot or flange mounted
- Die-cast aluminium housing
- UNICASE housing
- Industry standard dimensions

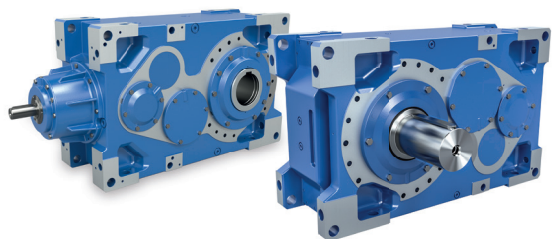
Sizes	13
kW	0.12 – 37
Nm	30 – 3,300
i	1.07:1 – 456.77:1

SI worm gear units (Catalogue G1035)



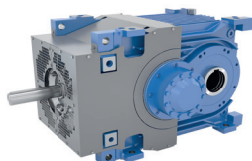
- Modular
- Universal mounting
- Lubricated for life

Sizes	5
kW	0.12 – 4.0
Nm	21 – 427
i	5.00:1 – 3,000.00:1

MAXXDRIVE® Industrial gear units (Catalogue G1050)


- All bearing points and sealing surfaces are machined in a single operation
- No separating joints in the housing, no sealing surfaces subject to torque
- High-precision axis alignment, quiet running
- Long life, low-maintenance
- Gear ratio range 5.54 to 400:1 with the same foot dimensions
- Parallel axis and right-angled gear units

Sizes	11
kW	1.5 – 4,000
kNm	15/20/25/30/40/50/75/110/150/190/280
i	5.54:1 – 30,000.00:1

MAXXDRIVE® XT Industrial gear units (TI60-0011)


Sizes	7
kW	1.5 – 1,500
kNm	15/20/25/30/40/50/75
i	6.14:1 – 22.91:1

Motors (Catalogue M7000, TI60-0001)


Energy-saving



Switchable Pole



Single-Phase



Smooth Surface

ATEX

 Explosion Protection
Gas-Environment

ATEX

 Explosion Protection
Dust-Environment

Special features

- Motors developed and produced by NORD
- We produce energy-efficient products for all parts of the world
- Products available at all international locations


Control cabinet inverter (Catalogue E3000)

**NORDAC PRO
SK 500E**

The inverter for all drive applications. Proven technology, large power range and capable of functional expansion with plug-in option modules. Optimised heat dissipation thanks to the variable cooling concept.


**NORDAC PRO
SK 500P**

The next generation of control cabinet inverters. Compact size, innovative and extremely flexible communication and interface concept, functional expansion with optional modules.

Decentralised frequency inverter

**NORDAC FLEX
SK 200E**

Decentralised drive unit with versatile installation options. Simple commissioning and maintenance through extensive plug-in capability and simple parameter transfer via EEPROM.


**NORDAC BASE
SK 180E**

Economical decentralised version for simple drive applications. Low installation costs as well as robust design for simple installation outside the control cabinet.

Motorstarter
SK 155E-FDS

Frequency inverter
**NORDAC LINK
SK 250E-FDS**


The field distributor for flexible, decentralised installation. Flexibility of equipment and function – free configurability according to requirements and the application. Available as inverter and starter. Fast commissioning through high level of plug-in capability. Simple servicing of the system through integrated maintenance switch and local manual control facility.

Motorstarter

**NORDAC START
SK 135E**

The decentralised starter for all types of soft starting. With integrated motor protection and reversing function for flexible integration into the system.

Description of gear units

NORD gear units

NORD gear units in the tried-and-tested Unicase series were developed according to the UNICASE principle. This applies to all versions, such as foot, flange and shaft mounted gear units.

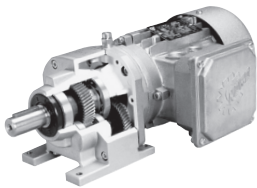
“UNICASE” designates a single housing block into which all bearing mounts are integrated. The UNICASE is machined in a single setup on the very latest CNC machines. The unicase concept features extreme precision, rigidity and strength. There is no joint between the output side and the gear unit housing which is subject to radial forces or torque. The housings are made of cast iron or cast aluminium. Ductile cast iron housings are available on request.

The pinions and gears are made of the highest quality alloyed steel; the teeth are case-hardened (except for worm gear units).

Optimised geometries and precise shaft alignment due to the UNICASE provide excellent load-bearing capacity, long operating life and low noise. The gears, bearings and shafts are calculated according to DIN 3990, DIN ISO 281 or Niemann for all powers and speeds shown in the catalogue. All NORD gear units therefore provide the very highest levels of safety and reliability.

Bearings and gears run in an oil bath. In addition to the positive locking keyed connection, the gears in the gear unit also have a pressed connection between the shaft and hub. Normally, shaft seals made of NBR material are used. Shaft seals made of FKM (Viton) are available as an option.

NORDBLOC.1 helical gear units



- From 0.12 - 37 kW
- Up to 3,300 Nm
- Available in 8 sizes

NORDBLOC helical gear units are available in 8 sizes. Sizes SK 072.1 und SK 172.1 always have 2 stages. Sizes SK 372.1 - SK 973.1 have optionally 2 or 3 stages in the same gear unit housing with the same dimensions.

The housings of the new NORDBLOC types are smooth and are made from die-cast aluminium up to and including size SK 673.1 The housings of the larger gear units SK 772.1 - SK 973.1 are made of cast iron.

The aluminium housing considerably reduces the weight and enables very economical series production. The smooth aluminium surfaces have a robust, natural corrosion protection (⇒ A80). Because of this, painting is not provided as standard, but is possible if required.

The NORDBLOC design enables the installation of stronger bearings in comparison with the previous series. This results in higher permissible radial and axial forces and a longer service life. As usual, geared motors can be implemented with economical direct attachment of the motor. For more information, please refer to ⇒ Catalogue G1012.

Information for special gear unit versions

Gear unit	Information
SK 372.1 / SK 373.1 ⇒ B50-51, B80	Gear unit size SK 372.1 or 373.1 is available with a B5 Ø120 mm drive flange. For this version, the drive shaft is 28 mm longer. The permissible radial forces are reduced by 30%.
SK 572.1 / SK 573.1 ⇒ B52-53, B81	Drive unit size SK 572.1 or 573.1 with Ø35 mm drive shaft is available with a B5 Ø140 mm or Ø160 mm drive flange. For this version, the drive shaft is 33 mm longer. The permissible radial forces are reduced by 30%.
SK 572.1(*) / SK 573.1(*) ⇒ B54-55, B81-82	Gear unit size SK 572.1 or SK 573.1 is available with a Ø35x70 mm output shaft (standard) or with a Ø30x60* mm output shaft. The permissible radial forces which are stated in the power and gear ratio tables relate to a Ø35x70 mm drive shaft. For a Ø30x60* mm shaft the permissible radial force is reduced by 30%.

The required version must be stated in the order

Helical gear units

2-stage helical gear units with coaxial motor and drive shafts are available in 11 sizes (SK 02 ... SK102).

The 6 smaller versions can also be supplied as 3-stage gear units with an add-on housing (SK 03 ... SK 53) for higher gear ratios. The 5 larger sizes can be optionally supplied as 2- or 3-stage units in the same housing (SK 62/63 ... SK 102/103). Double gear units with 4-, 5- and 6-stages are available for very high gear ratios.

Helical gear units are available in both foot and flange versions. For flange version helical gear units, the flange is cast on; therefore there are no screw connections between the flange and the housing.



- From 0.12 - 200 kW
- Up to 23,000 Nm
- Available in 11 sizes

Parallel shaft gear units

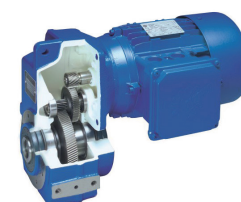
The parallel axle offset for parallel shaft gear units results in a shorter design in comparison with helical gear units. In push-on versions with a continuous hollow shaft, the gear unit can be mounted directly onto the drive shaft of the machine.

Sizes SK 1282 to SK 5282 are available as 2-stage versions.

SK 2382 to SK 5382 have a 3-stage design and can be used for higher gear ratios with the aid of an additional add-on housing. For parallel shaft gear unit sizes SK 6282/SK 6382 and above, the gear units are produced as 2- and 3-stage versions with the same housing.

The parallel shaft gear unit types SK10282 / SK 10382 and SK 11282 / SK 11382 have been replaced by the two new parallel shaft gear units SK 10382.1 and SK 11382.1.

The new parallel shaft gear unit models are always 3-stage. A NORD motor can be attached directly without a coupling. As an alternative to the more favoured direct motor attachment, adapters for IEC and NEMA motors and adapters for a free input shaft can be attached.



- From 0.12 - 200 kW
- Up to 90,000 Nm
- Available in 12 sizes

2 new parallel shaft gear units
SK10382.1 / SK11382.1

They cover the following range of outputs and speeds.

Parallel shaft gear unit type	Powers P_1	Max drive torque M_{2max}	Gear ratio range i_{ges}	Speed range n_2
SK 10382.1	5.5 - 160 kW	43 kNm	11.12 - 343.19	4.3 - 134 rpm
SK 11382.1	22 - 200 kW	73 kNm	8.13 - 167.17	8.8 - 134 rpm

These gear units have a cast iron housing with an extremely smooth surface in which the NORD block housing principle has been used. This means that robustness is incorporated right from the start.

As standard, the housings have a cast torque support, an output-side B14 flange and machined foot surfaces with threaded attachment holes. Screw-on B5 flanges and mounting feet are optionally provided.

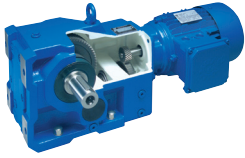
At the output side, full shafts, hollow shafts with feather keys, hollow shafts with shrink disks and hollow shafts with splined brake drive dogs are provided as standard.

It is possible to adapt the axis height of the SK 11382.1 gear unit to the dimensions of the old gear unit types SK 11282 / SK 11382. Spacers for this are available as options. The axis height is the measurement from the foot plate to the drive shaft.

Adapting the axis height

Description of gear units

3 and 4-stage bevel gear units



- From 0.12 - 200 kW
- Up to 50,000 Nm
- Available in 16 sizes

Bevel gear units

Bevel gear units are angular gear units in which the motor shaft and the output shaft form a 90° angle. This results in a favourable spatial arrangement of the drive unit. NORD bevel gear units always have multiple gear stages.

The configuration of stages is as follows:

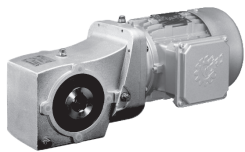
	2-stage	3-stage	4-stage
Helical gear stage	–	–	1st stage
Helical gear stage	1st stage	1st stage	2nd stage
Bevel gear stage	2nd stage	2nd stage	3rd stage
Helical gear stage	–	3rd stage	4th stage

Bevel gear units are available with an integrated backstop. The bevel gear can be placed to the left or right of the bevel pinion, in order to reverse the direction of rotation between the drive shaft and output shaft.

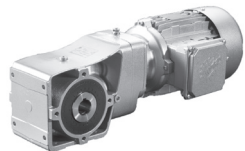
Efficiency η :

The great advantage of a bevel gear unit is its almost constant efficiency over the entire gear ratio range, which practically equals that of helical and parallel shaft gear units.

2-stage bevel gear units



SK 93072.1 - SK 93772.1



SK 92072.1 - SK 92772.1

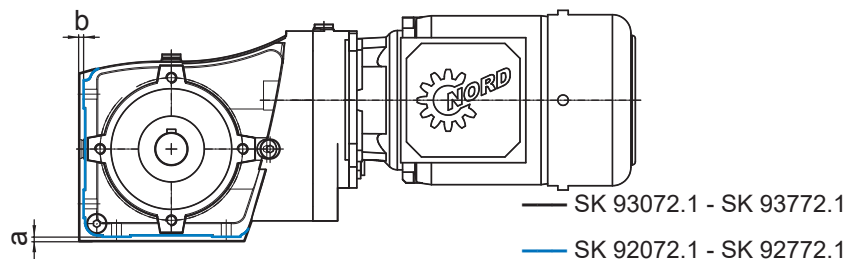
- From 0.12 - 9.2 kW
- Up to 660 Nm
- Available in 5 sizes

The new optimised performance two-stage bevel helical gear units are an innovative NORD design with a high-strength die-cast aluminium housing.

In addition, NORD offers the gear unit series **SK 93072.1 - SK 93772.1** with cast aluminium housings, which is suitable for use in the food industry because of its especially smooth surface. **If you are interested, please contact us.**

Because the power data for the gear unit series **SK 93072.1 - SK 93772.1** are identical to those for the SK 92072.1 - SK 92772.1 gear unit series, for reasons of clarity, this catalogue only contains selection lists for the gear unit series SK 92072.1 - SK 92772.1.

Please note that for the SK 93072.1 - SK 93772.1 gear unit series, only flange mounting is available as standard. The flange mounts of both series are identical. The outline contours of both series of gear units only differ slightly as follows:



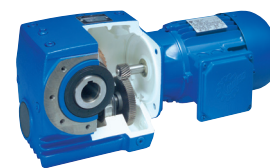
Size	SK 93072.1	SK 93172.1	SK 93372.1	SK 93672.1	SK 93772.1
a [mm]	3	2	4	4.5	5
b [mm]	3	2	4	4.5	5

nsd tupH surface treatment

For the gear unit types NORDBLOC.1 helical gear units and 2-stage bevel helical gear units, there is the option of treating the die-cast aluminium housing or the cast aluminium housing with **nsd tupH**. **This surface treatment provides special protection against corrosion.**

Helical worm gear units

Helical worm gear units are angular gear units in which the motor shaft and the output shaft form a 90° angle. This often results in a favourable spatial arrangement of the drive unit. The helical worm gear units listed in this catalogue have multiple stages. NORD also supplies single-stage worm gear series which are listed in catalogue G1035. **Please request our catalogue G1035.**



The helical gears of helical worm gear units are made of highly alloyed steel with case-hardened teeth. Optimised geometries and precise shaft alignment due to the UNICASE principle provide excellent load-bearing capacity, long operating life and low noise.

- From 0.12 - 15 kW
- Up to 3,000 Nm
- Available in 6 sizes

The worm stage has a hardened cylinder worm as well as a worm gear with a welded-on rim made of special bronze. This combination ensures a long operating life. We provide the highest possible and constantly high quality thanks to the use of the very latest CNC machine tools and continuous monitoring.

The helical worm gear unit series is lubricated for life at the factory with a high-quality, synthetic long-life lubricant with a polyglycol base. This synthetic lubricant prevents friction and provides a very high degree of efficiency and a long service life.

The helical worm gear units SK 02050 - SK 42125 are available as 2-stage versions and can also be produced with add-on housings as SK 13050 ... SK 43125 with 3-stages for higher gear ratios.

Efficiency η :

NORD worm gear units achieve efficiencies up to 92%.

Because the worm gear set in new gear units must be run in, the friction coefficient is larger before running in than it is afterwards. Because of this, the efficiency is slightly lower before running in. This effect is increased at lower incline angles, i.e. with a lower number of starts in the worm.

Based on experience, the following allowances should be made:

- Single start up to approx. 12%
- 2-start up to approx. 6%
- 3-start up to approx. 3%
- 6-start up to approx. 2%

The number of worm threads is listed in the output and gear ratio tables. The run-in procedure is completed after approx. 25 hours operating time at maximum load.

The following conditions must be met in order to achieve the efficiencies shown in the tables:

- Gear unit is fully run-in
- Gear unit has reached steady state temperature
- The gear unit is filled with the specified lubricant
- The gear unit outputs the rated torque

Description of gear units

W - adapters

With type W gear units (with free input shafts), the maximum drive output listed in the output and gear ratio tables applies. With type IEC gear units, the standard power for each size according to DIN EN 50347 applies, but with the maximum power listed in the output and gear ratio tables.

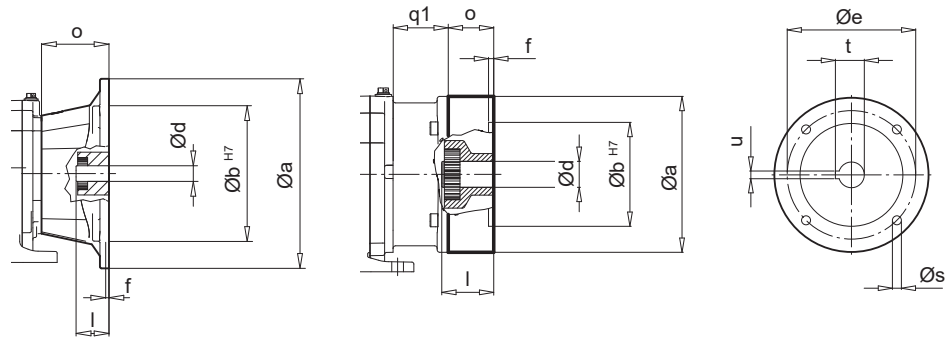
For higher speeds than those stated in the power and ratio tables, special measures may be necessary. Please contact us.

Type W gear units

For gear units with type W free input shafts, the input shaft bearings must be regularly lubricated. For size SK 62 or SK 6282 with 2-stage gear units, and for size SK 73, SK 7382 or SK 9072.1 and above with three-stage gear units we recommend that the exterior roller bearings of the input shaft are lubricated (using the lubricating nipple provided) with approx. 20 to 25 g of grease at approx. every 2,500 operating hours. Recommended grease: Petamo GHY 133 N Klüber Lubrication).

An automatic lubricator is available if required. Fans on the input shaft for better cooling of the gear unit are also included in the scope of delivery, please enquire.

IEC - B5 adapter IEC - B14 adapter



SK 172.1 - SK 673.1 SK 9x0072.1 - SK 9x772.1

IEC - B5	a	b	e	f	s	o	q1	d	l	t	u	M [kg]
IEC 56 - A120	120	80	100	3.5	7	32.5	56.0	9	20	11.4	3	2
IEC 63 - A140	140	95	115	3.5	9	32.5	56.0	11	23	12.8	4	2
IEC 71 - A160	160	110	130	4.0	9	32.5	56.0	14	30	16.3	5	2
IEC 80 - A200	200	130	165	4.0	M10	32.5	56.0	19	40	21.8	6	2
IEC 90 - A200	200	130	165	4.0	M10	45.5	56.0	24	50	27.3	8	2
IEC 100 - A250	250	180	215	5.0	M12	82.0	-	28	60	31.3	8	4
IEC 112 - A250	250	180	215	5.0	M12	82.0	-	28	60	31.3	8	4
IEC 132 - A300	300	230	265	5.0	M12	106.0	-	38	80	41.3	10	6

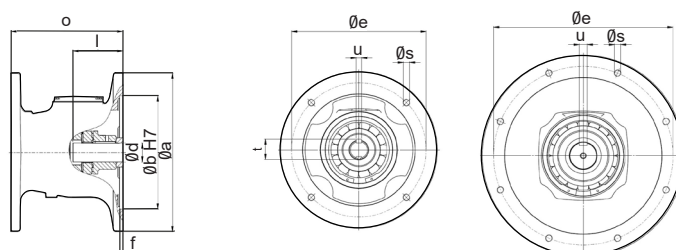
IEC - B14	a	b	e	f	s	o	q1	d	l	t	u	M [kg]
IEC 56 - C105	105	70	85	3.0	7	32.5	56.0	9	20	11.4	3	2
IEC 63 - C90	90	60	75	3.0	6	32.5	56.0	11	23	12.8	4	2
IEC 63 - C120	120	80	100	3.5	7	32.5	56.0	11	23	12.8	4	2
IEC 71 - C105	105	70	85	3.0	7	32.5	56.0	14	30	16.3	5	2
IEC 71 - C140	140	95	115	3.5	9	32.5	56.0	14	30	16.3	5	2
IEC 80 - C120	120	80	100	3.5	7	32.5	56.0	19	40	21.8	6	2
IEC 80 - C160	160	110	130	4.0	9	32.5	56.0	19	40	21.8	6	2
IEC 90 - C140	140	95	115	3.5	9	45.5	56.0	24	50	27.3	8	2
IEC 90 - C160	160	110	130	4.0	9	45.5	56.0	24	50	27.3	8	2

SK 072.1

IEC - B5	a	b	e	f	s	o	q1	d	l	t	u	M [kg]
IEC 56 - A120	120	80	100	3.5	7	29.5	30.0	9	20	11.4	3	2
IEC 63 - A140	140	95	115	3.5	9	29.5	30.0	11	23	12.8	4	2

IEC - B14	a	b	e	f	s	o	q1	d	l	t	u	M [kg]
IEC 56 - C105	105	70	85	3.0	7	29.5	30.0	9	20	11.4	3	2
IEC 63 - C90	90	60	75	3.0	6	29.5	30.0	11	23	12.8	4	2
IEC 63 - C120	120	80	100	3.5	7	29.5	30.0	11	23	12.8	4	2
IEC 71 - C105	105	70	85	3.0	7	29.5	30.0	14	30	16.3	5	2
IEC 71 - C140	140	95	115	3.5	9	29.5	30.0	14	30	16.3	5	2

IEC - adapter
63 - 132

AI - adapter
160 - 315


IEC	a	b	d	e	f	l	o	s	t	u	M [kg]
63	140	95	11	115	3.5	23	85	M8	12.8	4	5
71	160	110	14	130	4	30	89	M8	16.3	5	6
80	200	130	19	165	4	40	107	M10	21.8	6	9
90	200	130	24	165	4	50	107	M10	27.3	8	12
100	250	180	28	215	5	60	124	M12	31.3	8	16
112	250	180	28	215	5	60	124	M12	31.3	8	16
132	300	230	38	265	5	80	156	M12	41.3	10	25

AI	a	b	d	e	f	l	o	s	t	u	M [kg]
160	350	250	42	300	7.0	110	247	M16	45.3	12	55
180	350	250	48	300	7.0	110	247	M16	51.8	14	55
200	400	300	55	350	7.0	110	251	M16	59.3	16	66
225	450	350	60	400	6.0	140	303	M16	64.4	18	83
250	550	450	65	500	6.0	140	338.5	M16	69.4	18	145
280	550	450	75	500	6.0	140	338.5	M16	79.9	20	145
315	660	550	80	600	7.0	170	400	M20	85.4	22	261

In contrast to the directly mounted motors, the IEC adapter has an additional shaft coupling and additional bearing seats. This results in higher no-load losses in comparison with directly mounted motors. We recommend direct mounting of the motor, as this not only provides technical advantages, but also offers price advantages.

IEC - adapter
We recommend direct mounting of the motor
Maximum permitted motor weights

IEC-Motor	63	71	80	90	100	112	132	160	180	200	225	250	280	315
max. [kg]	25	30	50 ¹⁾	50	80 ²⁾	80	100	250 ³⁾	250	350	500	1000	1000	1500

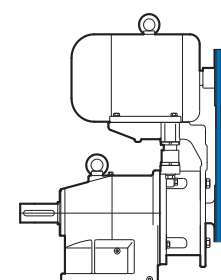
- 1) ≤ 40 kg SK 920072.1, SK 92072.1, SK 071.1, SK 0182.1
- 2) ≤ 60 kg SK 1382NB, SK 1382.1, SK 92372, SK 92372.1, SK 12063, SK 372.1, SK 371.1
- 3) ≤ 200 kg SK 42, SK 4282, SK 9042.1, SK 42125
- 4) ≤ 500 kg SK 62, SK 72, SK 73, SK 83, SK 93, SK 9072.1, SK 6282, SK 7282, SK 7382, SK 8382, SK 9392

The IEC adapter coupling for motor sizes 63 to 132 is not fail-safe. With hoists, lifts and other applications where there is a danger of personal injury, special measures are required. Please enquire.

By using the MK motor bracket, the designer has further constructional possibilities for the design of machines and systems. The motor bracket is designed so that it can be combined with all versions of NORD UNICASE gear units.

MK motor bracket
Decisive advantages of the NORD motor bracket for users:

- Lightweight, vibration-damping aluminium construction
- Corrosion resistant, easy-to-use height adjustment for optimum belt tension
- Corrosion-resistant fastening elements
- Can be used for all versions
- Pivotal up to 90° in all directions
- Suggestion for gear ratio $i = 1.0$ according to Table ⇒ A49
- Motor bracket with holes for various motor sizes




Five motor bracket sizes cover all motor-gear unit combinations. See the selection tables for the particular arrangements ⇒ A49, which are also valid for the corresponding double gear units.

Description of gear units

Vertical mounting positions

Notes on gear units and geared motors

Gear units and gear motors may be mounted in positions with vertical shafts. (Exception: IEC adapters with certain sizes). For these versions, the gear units are filled with increased amounts of lubricant. Some gearbox types are also equipped with specially sealed, grease-lubricated bearings. With these versions there are higher oil losses due to splashing, which causes greater heating of the gear unit (note the limiting thermal power ⇒  A18).

Oil expansion tank



For vertical and top mounted motors (installation position M4) and gear ratios <math><20</math>, oil expansion chambers are strongly recommended, in order to prevent the escape of oil through the air vent. Please contact us, so that we can suggest a solution adapted to your particular drive application.

Outdoor installation, use in the tropics

When installed outdoors, in damp rooms, or when used in the tropics, special seals and anti-corrosion measures are required. Please inform us of such use when ordering.

Special ambient conditions

Special ambient conditions include, e.g.:

- Aggressive or corrosive materials (contaminated air, gases, acids, bases, salts, etc.) in the environment
- Very high relative humidity or contact between the gear unit motor and liquids
- Severe dirt, dust or sand deposits on the gear unit motor
- Severe air pressure fluctuations
- Radiation
- Extremely high or low ambient temperatures or temperature changes
- Vibrations, accelerations, shocks, impacts or other abnormal ambient conditions

In case of special ambient conditions, including during transport or storage prior to commissioning, these should be taken into account in the planning stage of the project. Please contact us.

Storage before commissioning

Special measures



Prior to commissioning the gear units and geared motors must only be stored in dry rooms. For longer periods of storage, special measures are necessary. Please request the "Operating and Assembly Instructions B1000", which are available for download on the Internet at www.nord.com.

Ventilation

As standard the gear units have a vent which compensates for damaging differences in air pressure between the interior of the gear unit and the environment. This vent is closed on delivery, in order to avoid oil leakage during transport. Prior to commissioning, the vent must be activated by removing the sealing plug. Pressure relief vents are available as an option.

With 4-, 5- and 6-stage double gear units, there is a relevant no-load loss due to the many rotating parts and the relatively small drive input power. Therefore a no-load loss of approx. 40 watts for 4-pole motors up to 0.75 kW is taken into account in the performance tables.

Double gear units

Drives for ventilators, agitators and mixers in sewage treatment plants, in anaerobic digesters for biogas and in process engineering as well as fan drives (e.g. in cooling towers) are normally subject to extremely harsh operating conditions:

Drives for blowers, agitators, mixers and fans

- 24-hour continuous operation at nominal torque or nominal power
- Large inertia at the output with low gear ratios
- Vibrations in the drive chain, and with direct positioning of the mixer or ventilator shaft in the gear unit, high oscillating bending moments and forces on the drive shaft
- Vertical installation
- Outdoor installation, i.e. humidity and aggressive media, as well as severe changes in temperature with the formation of condensation
- High environmental protection is required, i.e. complete sealing, safe oil servicing and a low noise level

From experience, NORD has developed a package of special measures to cater for these special conditions of use. Therefore NORD urgently recommends that these special measures are provided. Please contact us.



Special measures

A minimum operating factor of f_B 1.7 must be selected for agitator and mixer drives due to the heavy loads. NORD recommends an operating factor f_B greater than 2.0. For drives running on frequency inverters care must be taken that no control-induced vibrations are generated e.g. by means of slip-compensation. Please note that a possible speed increase via frequency inverter will increase the absorbed power by a power of three.

Operating factor f_B

The operating factor f_B must therefore always be with reference to the maximum speed.

Selecting a suitable gear unit

The selection of a gear unit assumes the use of NORD three-phase asynchronous AC-motors or single phase AC-motors and also applies for technically comparable motors. For the use of other motors, e.g. servo motors, please contact NORD.

The following important instructions on selection of gear units must be strictly observed otherwise overloading of the drive is probable. In this case the warranty is void.

If in doubt, please contact the responsible NORD sales office, so that we can check the gear unit design together with you. In our mutual interests, problems caused by overloading the gear units should be avoided under all circumstances.


Criteria

Mechanically transferable power P


Thermal limiting power

Consult NORD

Selection criteria are:

1. This is taken into account by the operating factor f_B in the relevant table in the catalogue. The next chapter \Rightarrow  A17 describes the determination of the required operating factor.
2. This must not be exceeded for long periods (3h) so that the gear unit does not overheat. The thermally transferable power represents a possible limit for following larger gear units:
 - two-stage gear units from size SK62, SK6282 and SK9x672.1
 - three-stage gear units from size SK73, SK7382 and SK9072.1

We recommend consultation with NORD and precise examination of the application if two or more of the following points apply:

- Vertical installation (installation position M2 or M4, \Rightarrow  A67)
- Type IEC motor mounting, or type W free drive shaft
- Drive power $P_1 > 100$ kW
- Gear ratio $i_{ges} < 20$ (for bevel gear units $i_{ges} < 40$)
- Drive speeds $n_1 > 1500$ rpm
- High ambient temperature $> 40^\circ\text{C}$

In general, please consult NORD if there are special installation conditions, e.g. enclosing of the gear unit, heat radiation, installation in confined spaces etc. Special measures are available to prevent thermal overload (oil coolers etc.), please contact us.

Input power and operating factor

The required drive power for each application is determined by measurement or calculation. The rated power of the motor P_1 must be selected according to this. It is normally slightly higher than the required power because safety factors for special operating conditions of the specific application must be observed, and rated motor powers are generally available in standard power ranges. Brief and infrequent torque impulses do not need to be taken into account when selecting the rated power of a three-phase AC-motor. When operating a three-phase AC-motor on a frequency inverter, additional factors influence the selection of the rated output; in this case, please make a detailed enquiry.

In contrast to the motor, short-term and infrequent torque impulses significantly influence the load and selection of the gear unit.

The gear unit operating factor f_B takes this and further effects on the gear unit into account with sufficient accuracy. Diagram 1 shows the required minimum operating factor f_{Bmin} dependent on the daily operational time, the number of switching cycles Z , and the application load classification A, B, or C.

Minimum
operating factor f_{Bmin}

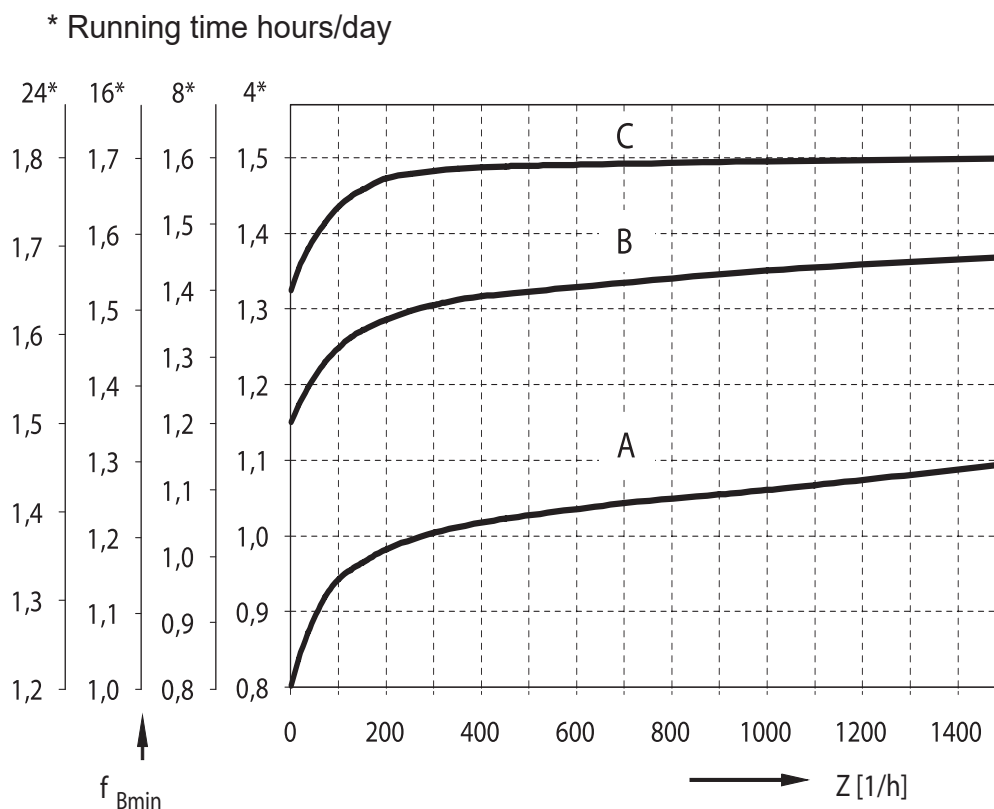


Diagram 1: Minimum operating factor f_{Bmin}

Depending on the uniformity of operation and the mass acceleration factor, a distinction is made between three load classifications (⇒ [A18](#)).

While impacts from the machine that is being driven are described in the classification of uniformity of operation, the mass acceleration factor determines the load peaks on switching. The following list of typical application examples takes into consideration a considerable amount of experience in the classification of uniformity of operation (⇒ [A18](#)).

Mass
acceleration factor

Classification of
uniformity of operation

Gear unit selection

Classification of uniformity of operation

Uniform operation

A)

Light screw conveyors, fans, assembly belts, light conveyor belts, small agitators, elevators, cleaning machines, filling machines, controlling machines and belt conveyors.

Non-uniform operation

B)

Decoilers, feed drives for wood processing machines, hoists, balancing machines, tapping units, heavy conveyor belts, winches, sliding doors, dung removal machines, packaging machines, cement mixers, crane travelling mechanisms, mills, bending machines and gear pumps.

Extremely non-uniform operation

C)

Agitators and mixers, shears, presses, centrifuges, rolling stands, heavy winches and lifts, grinding mills, stone crushers, bucket elevators, punching machines, hammer mills, eccentric presses, roller tables, tumbling barrels, folding machines, shredders, choppers and vibrators.

Load classification

The load classification results from the uniformity of operation and from the mass acceleration factor m_{af} according to the following table. Here, the load classification from either the operation or the mass acceleration factor applies, whichever is the higher.

Example: non-uniform operation and $m_{af} = 0.2$ results in load classification B

Mass acceleration factor m_{af}

Load classification	Operation	Mass acceleration factor m_{af}
A	Uniform operation	$m_{af} \leq 0.25$
B	Non-uniform operation	$0.25 < m_{af} \leq 3$
C	Extremely non-uniform operation	$3 < m_{af} \leq 10$

Whereby m_{af} is the mass acceleration factor:

$$m_{af} = \frac{J_{ex.red.}}{J_{Mot.}} = \frac{J_{ex.}}{J_{Mot.}} \cdot \left(\frac{1}{i_{ges}} \right)^2$$

$J_{ex.}$ All external moments of inertia

$J_{ex.red.}$ all external moments of inertia reduced to the drive motor

$J_{Mot.}$ Moment of inertia of the motor (\Rightarrow  F4)

i_{ges} Gear ratio

The mass acceleration factor m_{af} represents the relationship between the masses on the external output-side and on the high-speed input-side. The mass acceleration factor m_{af} significantly influences the level of torque impulses in the gear unit during start-up and braking procedures, and with vibration. The external mass moments of inertia also include the load, such as the material transported on conveyor belts.

Please consult NORD if the $m_{af} > 10$, if there is large play in transfer elements, vibration in the system, or there is ambiguity regarding the load classification, or if you are in doubt.

The operating factor f_B of the gear unit for the relevant speed is listed in the overview of powers and speeds.

The operating factor is the relationship between the maximum output torque of the gear unit M_{2max} and the output torque M_2 resulting from the installed motor power P_1 , output speed n_2 and the efficiency of the gear unit .

$$M_2 = \frac{9550 \cdot P_1 \cdot \eta}{n_2} \text{ [Nm]} \quad P_1 \text{ [kW]}, \quad n_2 \text{ [min}^{-1}\text{]}$$

$$f_B = \frac{M_{2max}}{M_2}$$

$$P_1 = \frac{M_2 \cdot n_2}{\eta \cdot 9550} \text{ [kW]} \quad M_2 \text{ [Nm]}, \quad n_2 \text{ [min}^{-1}\text{]}$$

For correct selection of the gear unit, the operating factor f_B , from the output and speed overview is larger or the same as the minimum operating factor f_{Bmin} according to diagram 1

$$f_B \geq f_{Bmin}$$

Helical, parallel shaft and bevel gear units have a very high level of efficiency. Therefore, the simplified gear unit efficiency = 1.0 usually produces sufficiently accurate results. The gear unit efficiency for helical worm gears is listed in the power and gear ratio tables for each output speed n_2 .

For type W gear units (with free drive shafts), the installed drive output P_1 may, at the most, be:

$$P_1 = \frac{M_{2max} \cdot n_2}{9550 \cdot f_{Bmin} \cdot \eta} \text{ [kW]} \quad M_{2max} \text{ [Nm]}, \quad n_2 \text{ [min}^{-1}\text{]}$$

Here, the maximum drive power P_{1max} must not be exceeded.

$$P_1 \leq P_{1max}$$

Mass
acceleration factor

Operating factor f_B

Correct
gear unit selection

Gear unit with very
high efficiency η

Gear unit with free
drive shaft, type W

Max. drive power
 P_{1max}

Gear unit selection

Braking torque

The power and gear ratio tables list the relevant output speed n_2 , the maximum output torque of the gear unit M_{2max} and the maximum motor power P_{1max} .

With brakes attached to the drive side, e.g. braking motors, the brake torque must also be considered when selecting a gear unit. For applications with a relatively high external moment of inertia ($m_{af} > 2$), such as is often the case with travelling drives, slewing gear, turntables, gate drives, agitators and surface ventilators it is recommended that a brake torque is selected, which does not exceed 1.2 times the nominal torque of the motor. If higher brake torques are to be used, this should be taken into account in the selection of the gear unit. In this case, please contact us.

Energy-saving motors IE2 / IE3

Energy-saving motors with the classification IE2 /IE3 have higher breakdown torques and performance reserves. They may also provide a permanently impermissible power if this is required by the application and is not limited electrically. This should be considered when selecting a gear unit.

Special applications and operating modes

Especially unusual applications and extraordinary modes of operation, such as blockages, movements against solid limit stops, reversing while in motion, changing standstill loads, and gear ratios into fast speeds must be particularly considered when selecting a gear unit. Please enquire.

Special considerations for worm gear units

When designing worm gear units, care should be taken that multi-start worms are used, to reduce the possibility of self-locking if torque impulses, backward output torques, or large mass acceleration factors m_{af} can occur.

Number of worm threads z_1

The number of worm threads z_1 is listed in the output and gear ratio tables. As a general rule:

$m_{af} \leq 0.25$	all numbers of worm threads possible
$0.25 < m_{af} \leq 3.00$	Worm threads $z_1 \geq 3$ recommended
$3.00 < m_{af} \leq 10.00$	Worm threads $z_1 \geq 6$ recommended

With worm gear units, in addition to the operating factor f_{Bmin} from diagram 1 (\Rightarrow A17), the operating factor f_{B1} for the ambient temperature T_u as well as the operating factor f_{B2} for the duration of switch-on per hour, ED, must be taken into account. Factors f_{B1} and f_{B2} can be obtained from diagrams 2 and 3.

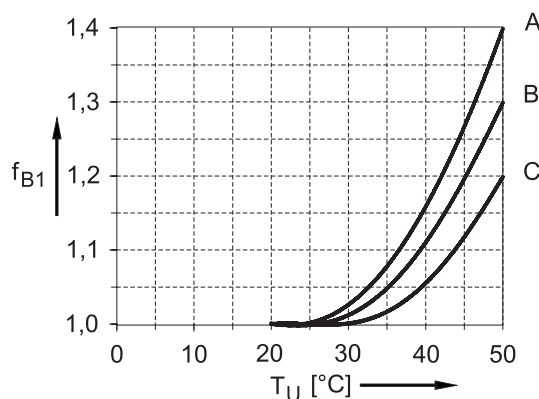


Diagram 2: Operating factor f_{B1}

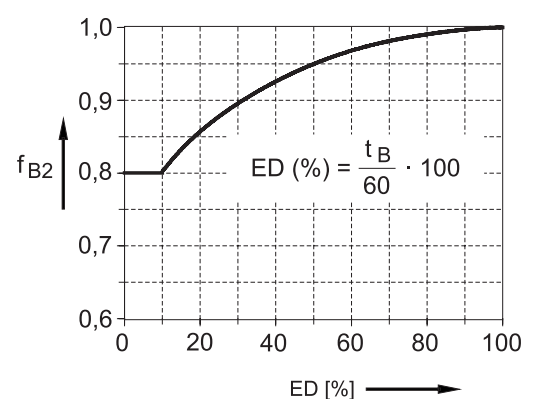


Diagramm 3: Operating factor f_{B2}
ED = Duration of switch-on
 t_b = Load time in min/h

For correct selection of the gear unit, the operating factor f_B from the output power and speed overview is greater or equal to the product of the minimum operating factor f_{Bmin} and the factors f_{B1} and f_{B2} .

$$f_B \geq f_{Bmin} \cdot f_{B1} \cdot f_{B2}$$

Correct gear unit selection

With type W worm gear units (with free drive shafts), the installed drive output P_1 must not exceed:

$$P_1 = \frac{M_{2max} \cdot n_2}{9550 \cdot f_{Bmin} \cdot f_1 \cdot f_2 \cdot \eta} \quad [\text{kW}] \quad M_{2max} \text{ [Nm]}, n_2 \text{ [min}^{-1}\text{]}$$

Worm gear units with free drive shaft, type W

Here, the maximum drive power P_{1max} must not be exceeded.

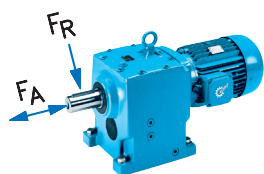
$$P_1 \leq P_{1max}$$

For the relevant output speed n_2 , the power and gear ratio tables contain

- The maximum gear unit output torque M_{2max}
- The efficiency of the gear unit
- The maximum motor power P_{1max}

The gear unit efficiency should be included in the above formula as a factor, e.g. 0.9 = 90%.

Gear unit selection



Reinforced output shaft bearings VL

Radial forces F_R and axial forces F_A

The tables in the output and speed overviews list the permitted radial forces F_R and axial forces F_A , which may be applied to the final journal output shaft.

Many gear unit types are available with optionally reinforced output shaft bearings VL. In particular we wish to point out the reinforced versions VL2/VL3 for parallel shaft and bevel gear units. This version, which is particularly suitable for agitators, is described on page [⇒ A30](#). Please provide us with the load data. We will be glad to carry out a service life calculation for the bearings.

Roller bearings

The reinforced VL version includes stronger roller bearings and in addition, a higher quality of steel for the output shaft if this is necessary for the safety of the shaft. The VL version has roller bearings instead of ball bearings on the output shaft and is therefore more suitable for larger radial and axial forces than the normal bearing version.

Larger radial and axial forces

With the larger parallel shaft gear units of size SK10282.1 and larger, as well as for bevel gear units of size SK9052.1 and larger, the normal bearings for the output shaft are heavy duty conical roller bearings. For these gear unit types, the VL version with floating roller bearings on the output side, provides further reinforcement for very large radial forces. Therefore, for these types of gear unit, normal bearings with conical roller bearings should be selected if no large radial forces, but high axial forces need to be absorbed. In doubt, please contact the responsible NORD sales office, so that we can make the optimum gear unit selection together with you.

Floating roller bearings

The radial and axial forces with reinforced bearings are identified with VL in the tables. The forces listed apply for foot-mounted and flange-mounted gear units with solid shafts. The forces stated refer to cases in which the radial and axial forces are not applied simultaneously. Please contact us if radial and axial forces apply simultaneously due to the type of application. We will be glad to carry out a calculation.

The output bearings of hollow shaft gear units are designed to absorb the reaction forces from torque arms or torque brackets. Please contact us if considerably larger forces act on the hollow shaft.

Operating factor $f_{BF}=1$

The forces stated in the overview tables for power and speed are based on an operating factor for the radial and axial forces $f_{BF}=1$.

Sudden impact forces and longer operating times (> 8 hours per day)

For suddenly applied forces and long running periods (> 8 hours/day) an appropriate operating factor $f_{BF} > 1$ must be considered for the radial and axial forces. Please contact us.

The radial forces refer to a point of action of the force at the midpoint of the shaft length. For the determination of the permissible radial forces, the most unfavourable direction of application of the force and direction of rotation was assumed. For the determination of the axial forces, the most unfavourable direction of force and rotation was also assumed. Higher radial and axial forces may be possible - for a precise calculation, please state the actual direction of the force and the rotation as well as the required operating life.

If transfer elements are attached to the output shaft, a corresponding factor (f_z) should be considered in determining the radial force.

Radial force factor f_z

Transfer elements	f_z	Notes
Gear wheels	1.1	$z \leq 17$ teeth
Chain wheels	1.4	$z \leq 13$ teeth
Chain wheels	1.2	$z \leq 20$ teeth
Narrow V-belt pulley	1.7	by pretensioning force
Flat belt pulley	2.5	
Radial force factor	1.5	

The radial force on the output shaft is determined as follows:

$$F_{R\text{vorh}} = \frac{2 \cdot M_2}{d_o} f_z \leq F_R$$

Radial force on gear unit shaft


$F_{R\text{pres}}$	Radial force on gear unit output shaft	[kN]
F_R	Permissible radial force according to speed and power tables	[kN]
M_2	Gear unit output torque	[Nm]
f_z	Radial force factor from the table	
d_o	Effective diameter of the transfer element	[mm]

Options

Overview of available versions

Abbreviations	Meaning	Helical gear units	Parallel shaft gear units	Bevel gear units	Worm gear units
Without	Solid shaft, foot mounting	✓		✓	✓
A	Hollow shaft		✓		
AF	Hollow shaft, B5 flange		✓	✓ ⁵⁾	✓
AX	Hollow shaft, foot mounting		✓ ¹⁾	✓	
AXF	Hollow shaft, foot mounting, flange B5			✓	
AXZ	Hollow shaft, foot mounting, flange B14			✓	
AZ	Hollow shaft, B14 flange		✓ ¹⁾	✓ ⁵⁾	✓
AZD	Hollow shaft, flange B14, with torque arm			✓ ²⁾⁵⁾	✓
AZK	Hollow shaft, flange B14, with torque bracket			✓	
B	Fixing elements for hollow shaft		✓	✓	✓
E	Single stage	✓			
EA	Splined hollow shaft, DIN 5480		✓ ⁴⁾	✓	
EF	Single stage, flange B5	✓			
F	Full shaft, B5 flange	✓			
G	Rubber buffer for torque arm		✓		
H	Cover as a touch guard		✓	✓	✓
IEC	Adapter for fitting B5 IEC standard motors	✓	✓	✓	✓
LX	Solid shaft - both sides, foot mounting			✓	✓
MK	Motor bracket	✓	✓	✓	✓
R	Integrated backstop			✓	
RLS	Backstop in W adapter	✓	✓	✓	✓
S	Hollow shaft with shrink disc		✓	✓	✓
SEK	Servo adapter with clamp coupling	✓	✓	✓	✓
SEP	Servo adapter with parallel key coupling	✓	✓	✓	✓
V	Solid shaft		✓		
VF	Solid shaft, B5 flange		✓	✓ ⁵⁾	✓
VL	Reinforced bearings	✓	✓	✓	✓
VL2	Agitator version		✓	✓	
VL3	Agitator version with "Drywell"		✓	✓	
VX	Solid shaft, foot mounting		✓ ¹⁾		
VXF	Solid shaft, foot mounting, flange B5			✓	
VXZ	Solid shaft, foot mounting, flange B14			✓	
VZ	Solid shaft, B14 flange		✓ ¹⁾	✓ ⁵⁾	
W	Drive cylinder with free input shaft	✓	✓	✓	✓
XF	Solid shaft, foot mounting, flange B5	✓ ³⁾			
XZ	Solid shaft, foot mounting, flange B14	✓ ³⁾			

✓ Available versions are marked with a tick

- 1) SK xx82NB and higher incl. SK 9282 with footrails machined on their sides for base plate
- 2) Available up to and including SK 9072.1
- 3) Available up to and including SK 52
- 4) Not available for types SK xx82NB
- 5) Versions have additional threaded holes in the underside of the housing. These are not suitable for mounting the gear unit, but rather for mounting a torque bracket ⇒  E118.

Drive types

The modular NORD concept enables gear units with various types of drive to be added. All drives are bolted on and have turned mating surfaces for simple and precise mounting.

NORD supplies the following drive types:

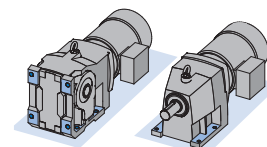
- Directly mounted motor / brake motor
- Free drive shaft (Optional B14 flange on the input side)
- Motor adapter for IEC B5 motors / NEMA C-flange motor adapter
- Servo motor adapter
- Motor bracket
- User-defined motor mount

Among others, NORD provides the mounting options:

- Foot (X)
- B5 flange (F)
- B14 flange (Z)
- Hollow shaft (A)
- Foot and B5 flange (XF)
- Foot and B14 flange (XZ)

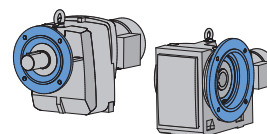
Foot-mounted housing (X)

Gear units are usually designed for foot mounting. They are mounted on a mounting plate by means of bolts or studs. The majority of gear units are equipped with mounting feet with through holes.



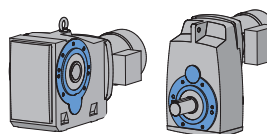
B5 flange (F)

A B5 flange is a simple mounting flange with a large diameter, through holes and a centred mating surface, with which the gear unit can be securely attached to the application. The B5 flange has metric dimensions as standard and is available for all NORD geared motors.



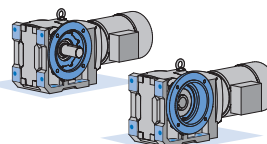
B14 flange (Z)

The NORD B14 flange has threaded holes and a centred mating surface in the housing of the geared motor. Usually, this is used to attach the geared motor to the base of the application or to attach a wide range of add-on components, such as a B5 flange, torque arm or shaft cover. As standard, the B14 flange has metric dimensions and is a compact method of attaching the geared motor.



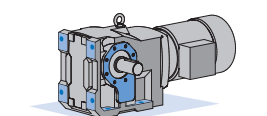
Foot-mounted housing with B5 flange (XF)

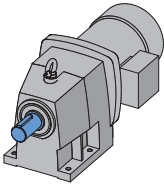
NORD can supply a wide range of geared motors with foot-mounted housings and additional B5 flange. These type XF geared motors are generally equipped for foot mounting. The B5 flange is usually intended for mounting auxiliary equipment on the geared motor. An additional support must be used if the B5 flange is used to attach the geared motor.



Foot-mounted housing with B14 flange (XZ)

NORD can supply a wide range of geared motors with foot-mounted housings with an additional B14 flange. These type XZ geared motors are generally equipped for foot mounting. The B14 flange is usually intended for mounting auxiliary equipment on the geared motor. An additional support must be used if the B14 flange is used to attach the geared motor.

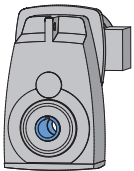




Shaft options

Solid shaft (V)

NORD standard shafts with parallel keys have a threaded hole in the face side. The shafts are available in metric dimensions and in inch dimensions on request. The standard material is C45.

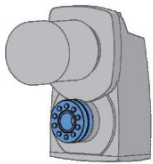


Hollow shaft (A)

Standard hollow shafts with parallel keys are made from C45. Many NORD geared motors are available with various shaft diameters.

Hollow shaft with internal spline (EA)

Hollow shafts with metric spline profiles as per DIN 5480 are available for many NORD geared motors with hollow shafts. These splined shafts are often used for crane travel drives.



Shrink disc (S)


The shrink disc is based on a tried-and-tested clamping principle and enables torque transfer by friction, by converting the tightening force of the clamping screws into a radial pressure between the shaft and the hub, which results in shrinking onto the customer's shaft. Shrink discs enable a force fit which is completely free of play, and which can transfer large torques, in contrast with other types of mounting. Shrink discs do not wear, even with frequent changes of load or direction of rotation.

Shrink discs provide the following advantages:

- No corrosion of the mating surface, in contrast with parallel key couplings
- Easy assembly and dismantling
- Often larger hole diameters are possible than for hollow shafts with parallel keys

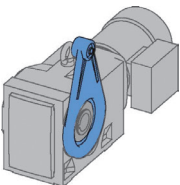
See ⇒  A30 for details

Reinforced shrink disc (VS)

The NORD reinforced shrink disc provides greater clamping force and therefore greater safety. See ⇒  30 for details

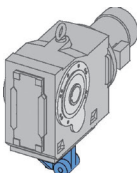
Reinforced output bearings (VL)

The use of reinforced output bearings with increased load bearing capacity enables higher external loads (radial/axial) to be absorbed. Please consult us in case of predominantly greater axial loads.



Torque arm (D)

A torque arm is a compact, simple solution to secure a geared motor with a hollow shaft. It is bolted to the B14 flange of the geared motor. The torque arm has a rubber bushing on the attachment hole which absorbs the load impulses.

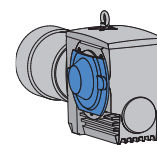


Torque bracket (K)

A torque bracket is a compact, simple solution to secure a face-mounted geared motor. It is bolted to the underside of the gear unit. The torque bracket has a rubber bushing on the attachment hole which absorbs the load impulses.

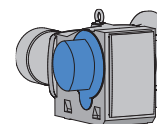
Hollow shaft cover (H)

An optional cover for the rotating hollow shaft is available. This also protects the output shaft against dust and dirt.



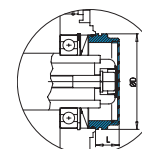
Shrink disc cover (SH)

A shrink disc cover is required for all shrink disc gear units and provides protection from the rotating shrink disc.




IP66 Hollow shaft cover (H66)

NORD supplies hollow shaft covers in protection class IP66 (protection against dust and splashed water). The rotating hollow shaft is completely sealed against humidity and foreign bodies.

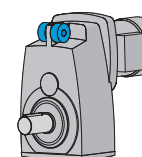


Fastening element (B)

As small vibrations occur with all shafts, NORD supplies an optional fastening kit. This prevents the geared motor from changing its position in an axial direction. The fastening kit can be mounted in two different ways. See ⇒  A35 for details

Rubber buffer (G)

Two rubber buffers are mounted on the torque bracket and on the torque arm. They are used to damp torsional load impulses which act on the geared motor. As the rubber buffers reduce the overall torsional load impulses, their use can increase the service life of the geared motor. The damping effect can be increased by the use of several buffers in series. The permissible temperature range for the use of rubber buffers is from -40°C ... $+80^{\circ}\text{C}$.



Rubber buffers are supplied in pairs.

For further damping, several rubber buffers may be used in series.

Total damping travel: $s_{FD\ tot} = n \times s_{FD}$ [mm]

s_{FD} Damping travel of a rubber buffer [mm]

n Number of rubber buffers used in series

Reinforced rubber buffer (VG)

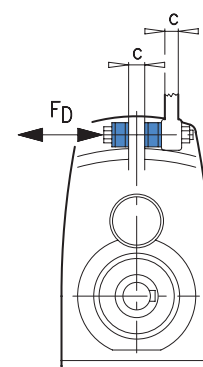
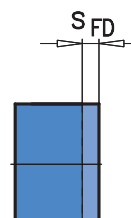
Rubber buffers are optionally available as reinforced type VG versions for parallel shaft gear units with face mounted designs.

Bevel helical gearboxes from size SK 9082.1 are supplied in the AZK version with rubber buffers.

F_D Compressive force acting on rubber buffer [kN]

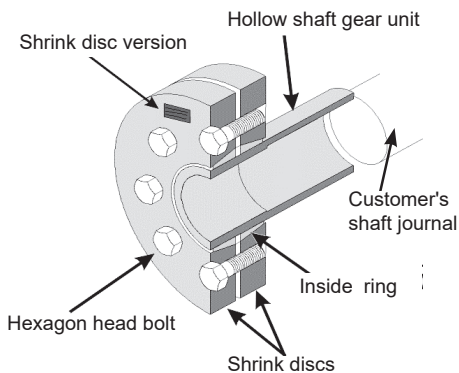
c width

s_{FD} Damping travel of a rubber buffer



Shrink discs

For gearbox versions with hollow shafts the use of shrink discs is especially advisable for better and easier assembly. In this case, the length of the customer's shaft journal which is inserted into the hollow shaft of the gear unit must correspond to the length of the hollow shaft (mH). The diameter of the shaft journal can be according to ISO h6 or f6 (f6 = easier assembly) The material of the customer's journal must have a yield strength of at least $Re = 360 \text{ N/mm}^2$ so that the pressing to create the frictional coupling can be built up and no permanent deformation occurs.



- M_{2max}** Max. permissible output torque (gear unit)
- s** Securing of the shrink disc with fits h6 or f6 with M_{2max}
- Zs** Number of tensioning screws
- M_A** Required tightening torque



Observe the operating and maintenance instructions B1000 when mounting the shrink disc.

Parallel shaft gear unit

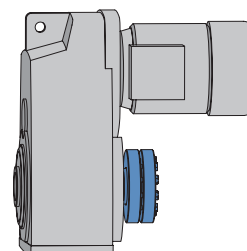
Gear unit type	Shrink disc					Hexagon head bolt DIN 931 / DIN 933* 10.9 Vz		
	Type	M_{2max} [Nm]	s ^{h6}	s ^{f6}	d x l	Zs	M_A [Nm]	
SK 1282	ASH	SN 30 / 40 V	296	3,3	2,9	M6 x 35*	8	12
SK 2282	ASH	SN 35 / 46 V	563	2,6	2,2	M6 x 35*	10	12
SK 3282	ASH	SN 40 / 55 V	1039	2,3	2,0	M8 x 40	8	30
SK 4282	ASH	SN 50 / 62 V	2000	2,2	2,0	M8 x 40	10	30
SK 5282	ASH	SN 60 / 76 V	3235	2,5	2,3	M10 x 50	10	59
SK 6282	ASH	SN 70 / 90 V	6000	2,3	2,2	M12 x 70*	10	100
SK 7282	ASH	SN 80 / 108 V	8300	2,5	2,4	M12 x 70*	14	100
SK 8282	ASH	SN 100 / 128 V	13200	2,3	2,2	M16 x 80*	8	250
SK 9282	ASH	SN 125 / 158 V	25400	2,3	2,2	M16 x 80*	12	250
SK 10382.1	ASH	SN 160 / 210 V	43000	3,1	2,9	M20 x 100	14	490
SK 11382.1	ASH	SN 180 / 230 V	73000	3,5	3,3	M24 x 150*	16	840

Shrink discs in reinforced version type VS (shredder)

Gear unit type	Shrink disc					Hexagon head bolt DIN 931 10.9 Vz		
	Type	M_{2max} [Nm]	s ^{h6}	s ^{f6}	d x l	Zs	M_A [Nm]	
SK 7282	AVSH	SN 85 / 108 VS	8300	3,90	3,65	M16 x 90	10	250
SK 8282	AVSH	SN 100 / 128 VS	13200	3,57	3,35	M20 x 100	8	490
SK 9282	AVSH	SN 130 / 158 VS	25400	3,89	3,71	M20 x 130	12	490

Available parallel shaft geared motors with shrink disc

Gear unit type		Motor													
		63	71	80	90	100	112	132	160	180	200	225	250	280	315
SK 1282	ASH	✓	✓	✓											
SK 2282	ASH		✓	✓	✓	✓									
SK 3282	ASH		✓	✓	✓	✓	✓								
SK 3382	ASH	✓	✓	✓	✓										
SK 4282	ASH				✓	✓	✓	✓							
SK 5282	ASH				✓	✓	✓	✓	✓	*					
SK 6282	ASH					✓	✓	✓	✓	✓					
SK 6382	ASH				✓	✓	✓	✓	✓	✓					
SK 7282	ASH						✓	✓	✓	✓	*				
SK 7382	ASH					✓	✓	✓	✓	✓	*				
SK 8282	ASH						✓	✓	✓	✓	✓				
SK 8382	ASH					✓	✓	✓	✓	✓	✓				
SK 9282	ASH									✓	✓	✓	✓		
SK 9382	ASH							✓	✓	✓	✓	✓	✓		
SK 10382.1	ASH								✓	✓	✓	✓	✓	✓	*
SK 11382.1	ASH								✓	✓	✓	✓	✓	✓	✓



* only AS

Shrink discs in reinforced version type VS

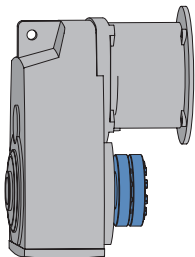
SK 7282	AVSH						✓	✓	✓						
SK 7382	AVSH					✓	✓	✓	✓						
SK 8282	AVSH						✓	✓	✓	✓	*				
SK 8382	AVSH					✓	✓	✓	✓	✓	*				
SK 9282	AVSH									✓	✓	✓	✓		
SK 9382	AVSH							✓	✓	✓	✓	✓	✓		

* on request

All parallel shaft multi-stage geared motors are available with shrink disc

Shrink discs

Available parallel shaft gear units with shrink disc and IEC adapter

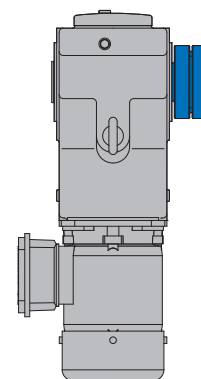


Gear unit type	IEC adapter													
	IEC 63	IEC 71	IEC 80	IEC 90	IEC 100	IEC 112	IEC 132	AI 160	AI 180	AI 200	AI 225	AI 250	AI 280	AI 315
SK 0282 NB ASH	✓	✓	✓	✓										
SK 1282 ASH	✓	✓	✓	✓										
SK 1382 NB ASH	✓	✓	✓	✓										
SK 2282 ASH		✓	✓	✓	✓	✓								
SK 3282 ASH		✓	✓	✓	✓	✓	✓							
SK 3382 ASH	✓	✓	✓	✓										
SK 4282 ASH				✓	✓	✓	✓	✓						
SK 5282 ASH				✓	✓	✓	✓	✓	✓					
SK 6282 ASH					✓	✓	✓	✓	✓	✓	✓			
SK 6382 ASH				✓	✓	✓	✓	✓	✓					
SK 7282 ASH							✓	✓	✓	✓	✓			
SK 7382 ASH					✓	✓	✓	✓	✓	✓	✓			
SK 8282 ASH							✓	✓	✓	✓	✓	✓	✓	
SK 8382 ASH					✓	✓	✓	✓	✓	✓	✓			
SK 9282 ASH									✓	✓	✓	✓	✓	✓
SK 9382 ASH							✓	✓	✓	✓	✓	✓	✓	
SK 10382.1 ASH								✓	✓	✓	✓	✓	✓	✓
SK 11382.1 ASH								✓	✓	✓	✓	✓	✓	✓

Shrink discs in reinforced design type VS

SK 7282 AVSH							✓	✓	✓	✓	✓			
SK 7382 AVSH					✓	✓	✓	✓	✓	✓	✓			
SK 8282 AVSH							✓	✓	✓	✓	✓			
SK 8382 AVSH					✓	✓	✓	✓	✓	✓	✓			
SK 9282 AVSH									✓	✓	✓	✓	✓	✓
SK 9382 AVSH							✓	✓	✓	✓	✓	✓	✓	

All parallel shaft double gear units SK 2282/02 and higher are available in the IEC and W version with shrink disc.

Bevel gear units


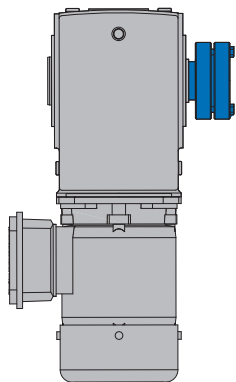
Gear unit type	Shrink disc				Hexagon head bolt DIN 931 / DIN 933* 10.9 Vz		
	Type	M _{2max} [Nm]	s ^{h6}	s ^{f6}	d x l	Zs	M _A [Nm]
SK 92072.1 AZSH	SN 25 / 34 V	90	4,19	3,28	M5 x 25	6	7
SK 92172.1 AZSH	SN 25 / 35 V	120	4,23	3,43	M5 x 25	8	7
SK 92372.1 AZSH	SN 30 / 40 V	230	4,26	3,73	M6 x 35*	8	12
SK 92672.1 AZSH	SN 35 / 46 V	380	3,77	3,27	M6 x 35*	10	12
SK 92772.1 AZSH	SN 40 / 55 V	660	3,53	3,09	M8 x 40	8	30
SK 9012.1 AZSH	SN 35 / 46 V	400	3,58	3,11	M6 x 35*	10	12
SK 9016.1 AZSH	SN 40 / 46 V	610	3,40	3,19	M6 x 35*	10	12
SK 9022.1 AZSH	SN 40 / 55 V	860	2,71	2,37	M8 x 40	8	30
SK 9032.1 AZSH	SN 50 / 62 V	1550	2,83	2,63	M8 x 40	10	30
SK 9042.1 AZSH	SN 60 / 76 V	2800	2,90	2,69	M10 x 50	10	59
SK 9052.1 AZSH	SN 70 / 90 V	4800	2,87	2,69	M12 x 70*	10	100
SK 9072.1 AZSH	SN 95 / 108 V	8500	3,70	3,56	M12 x 70*	14	100
SK 9082.1 AZSH	SN 110 / 138 V	13000	2,66	2,54	M16 x 70	8	250
SK 9086.1 AZSH	SN 125 / 158 V	20000	2,91	2,77	M16 x 80*	12	250
SK 9092.1 AZSH	SN 150 / 185 V	32000	2,66	2,56	M16 x 80*	14	250
SK 9096.1 AZSH	SN 150 / 195 V	50000	2,71	2,61	M20 x 100*	14	490

Shrink discs in reinforced version type VS (shredder)

Gear unit type	Shrink disc				Hexagon head bolt DIN 931 / DIN 933* 10.9 Vz		
	Type	M _{2max} [Nm]	s ^{h6}	s ^{f6}	d x l	Zs	M _A [Nm]
SK 9072.1 AZVSH	SN 95 / 108 VS	8500	4,95	4,80	M16 x 90	10	250
SK 9082.1 AZVSH	SN 110 / 138 VS	13000	6,26	5,99	M20 x 130	12	490
SK 9086.1 AZVSH	SN 130 / 158 VS	20000	4,95	4,71	M20 x 130	12	490
SK 9092.1 AZVSH	SN 150 / 195 VS	32000	3,93	3,70	M20 x 100	14	490
SK 9096.1 AZVSH	SN 155 / 195 VS	50000	3,80	3,70	M24 x 180	14	835

The data listed also applies to bevel gear units with a larger number of stages ⇒  A58

Helical worm gear units



Shrink discs

Gear unit type	Shrink disc				Hexagon head bolt DIN 931 / DIN 933* 10.9 Vz		
	Type	M_{2max} [Nm]	s^{h6}	s^{f6}	d x l	Zs	M_A [Nm]
SK 02050 AZSH	SN 25 / 35 V	182	2,8	2,3	M5 x 25	8	7
SK 02050 AZSH	SN 30 / 40 V	182	5,4	4,7	M6 x 35*	8	12
SK 12063 AZSH	SN 30 / 40 V	383	2,6	2,2	M6 x 35*	8	12
SK 12063 AZSH	SN 35 / 46 V	383	3,0	3,2	M6 x 35*	10	12
SK 12080 AZSH	SN 40 / 55 V	779	3,0	2,6	M8 x 40	8	30
SK 12080 AZSH	SN 45 / 55 V	779	4,1	3,8	M8 x 40	8	30
SK 32100 AZSH	SN 50 / 62 V	1604	2,7	2,6	M8 x 40	10	30
SK 32100 AZSH	SN 60 / 76 V	1604	5,1	4,7	M10 x 50	10	59
SK 42125 AZSH	SN 60 / 76 V	3120	2,6	2,4	M10 x 50	10	59
SK 42125 AZSH	SN 70 / 90 V	3120	4,4	4,1	M12 x 70*	10	100

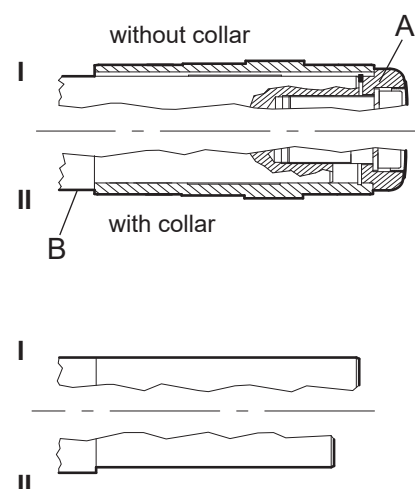
The data listed also applies to helical worm gear units with a higher number of stages
 ⇒ A59

Fastening elements

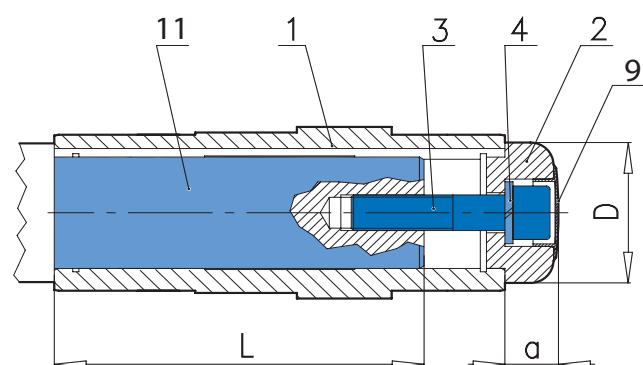
Fastening elements for face-mounted gearboxes are available as an option.

Prerequisites for use:

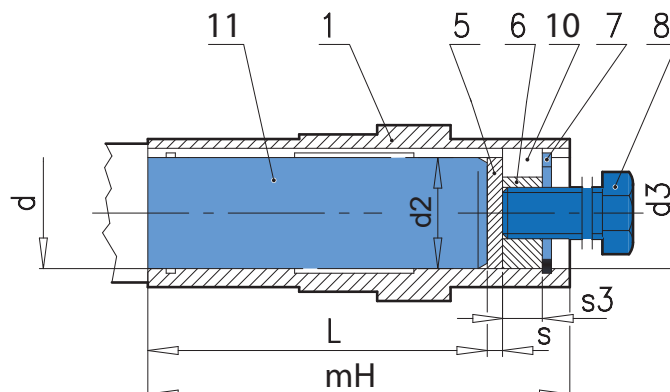
- The solid shaft which is used must be equipped with a face-side thread as per DIN 332/2.
- The fastening elements are suitable for solid shafts without collars (I) and for solid shafts with collars (II).
- For attachment according to I, the solid shaft is fixed by means of a securing ring located in the hollow shaft (Item A).
- For attachment according to II, the collar of the solid shaft is in direct contact with the hollow shaft (Item B).



The fastening element consists of the following items
2, 3, 4 und 9



The push-off element consists of the following items
5, 6, 7 und 10



1. Hollow shaft
2. Washer
3. Cylindrical screw DIN 912
4. Split washer DIN 127
5. Thrust washer
6. Thrust nut
7. Circlip DIN 473

8. Thrust screw
9. Sealing cap
10. Parallel key, type B
11. Customer's shaft

L = Length of customer's shaft

Assembly:

- 1 Insert the customer's shaft into the hollow shaft (Item 1)
- 2 Insert the disc (Item 2) into the hollow shaft
- 3 Fasten the disc with the cylindrical screw (Item 3) and the spring washer (Item 4)
- 4 Insert the closing cap (Item 9).

System requirements:

- The customer's shaft must be equipped with a centring hole as per DIN 332/2
- When using variant II, the inserted shaft must not exceed dimension "L"; if it does, it will not be possible to use the push-off elements (items 5, 6, 7, 10)

Dismantling:

- 1 Remove the closing cap (Item 9)
- 2 Loosen the cylindrical-head screw (Item 3)
- 3 Remove the disc (Item 2)
- 4 Insert the thrust washer (Item 5)
- 5 Insert the push-off nut (Item 6) and the parallel keys (Item 10)
- 6 Insert the circlip (Item 7)
- 7 Detach the customer's shaft from the hollow shaft by screwing in the push-off screw (Item 8)

System requirements:


- The push-off elements are available as a disassembly kit on request.
- The dimensions for disassembly can be obtained from the factory standard, which must be requested.
- Disassembly can only be used for series-production hollow shafts with plug-in shafts whose size does not exceed "L".

Options

Fastening elements

Parallel shaft gear units

Type	1	2		3	4	5		6		7	8	11	
	d x mH	a	D			d2	s	d3	s3			L	
SK 1282 ..B	30 x 122	19	40	M10 x 45	A10	29,9	3	29,9	12	M12	I 30 x 1.2	M12	100
SK 2282 ..B	35 x 139	23,5	45	M12 x 55	A12	34,9	3	34,9	16	M16	I 35 x 1.5	M16	110
SK 3282 ..B	40 x 174	23,7	55	M16 x 70	A16	39,9	4	39,9	16	M16	I 40 x 1.75	M16	140
SK 4282 ..B	50 x 195	24,7	65	M16 x 70	A16	49,9	4	49,9	20	M20	I 50 x 2.0	M20	160
SK 5282 ..B	60 x 230	29	75	M20 x 90	A20	59,9	5	59,9	24	M24	I 60 x 2.0	M24	185
SK 6282 ..B	70 x 290	29,3	95	M20 x 90	A20	69,9	5	69,9	24	M24	I 70 x 2.5	M24	245
SK 7282 ..B	80 x 310	29	102	M20 x 100	A20	79,9	8	79,9	30	M30	I 80 x 2.5	M30	250
SK 8282 ..B	100 x 366	34,5	120	M24 x 110	A24	99,9	8	99,9	30	M30	I 100 x 3.0	M30	310
SK 9282 ..B	120 x 430	34,5	150	M24 x 110	A24	119,9	10	119,9	32	M36	I 120 x 4.0	M36	370
SK 10382.1 ..B	160 x 475	47	200	M36 x 140	A36	159,9	10	159,9	31	M36	I 160 x 4.0	M36	418
SK 11382.1 ..B	180 x 522	47	200	M36 x 140	A36	179,9	10	179,9	31	M36	I 180 x 5.0	M36	460

The data listed also applies to parallel shaft gear units with a higher number of stages ⇒  A57

Fastening elements

Bevel gear units

Type	1		2		3	4	5		6		7	8	11
	d x mH	a	D			d2	s	d3	s3			L	
SK 92072.1 AB	25 x 121	19,2	38	M10 x 45	A10	24,9	3	24,9	12	M12	125 x 1.5	M12	100
SK 93072.1 AB	25 x 121	19,2	38	M10 x 45	A10	24,9	3	24,9	12	M12	125 x 1.5	M12	100
SK 92172.1 AB	25 x 125	19	38	M10 x 45	A10	24,9	3	24,9	12	M12	125 x 1.5	M12	102
SK 93172.1 AB	25 x 125	19	38	M10 x 45	A10	24,9	3	24,9	12	M12	125 x 1.5	M12	102
SK 92372.1 AB	30 x 145	19	40	M10 x 45	A10	29,0	3	29,0	12	M12	130 x 1.5	M12	120
SK 93372.1 AB	30 x 145	19	40	M10 x 45	A10	29,0	3	29,0	12	M12	130 x 1.5	M12	120
SK 92672.1 AB	35 x 170	23,5	45	M12 x 55	A12	34,9	3	34,9	16	M16	135 x 1.75	M12	140
SK 92672.1 AB	35 x 170	23,5	45	M12 x 55	A12	34,9	3	34,9	16	M16	135 x 1.75	M12	140
SK 92772.1 AB	40 x 192	24	55	M16 x 70	A16	39,9	4	39,9	16	M16	140 x 2.0	M16	162
SK 93772.1 AB	40 x 192	24	55	M16 x 70	A16	39,9	4	39,9	16	M16	140 x 2.0	M16	162
SK 9012.1 AXB	30 x 148	19	40	M10 x 45	A10	29,0	3	29,0	12	M12	130 x 1.5	M12	120
SK 9012.1 A..B	35 x 148	23,5	45	M12 x 55	A12	34,9	3	34,9	16	M16	135 x 1.5	M16	120
SK 9016.1 AXB	30 x 148	19	40	M10 x 45	A10	29,0	3	29,0	12	M12	130 x 1.5	M12	120
SK 9016.1 A..B	40 x 148	24	55	M16 x 70	A16	39,9	4	39,9	16	M16	140 x 2.0	M16	120
SK 9022.1 AXB	35 x 180	23,5	45	M12 x 55	A12	34,9	3	34,9	16	M16	135 x 1.5	M12	150
SK 9022.1 A..B	40 x 180	24	55	M16 x 70	A16	39,9	4	29,9	16	M16	140 x 2.0	M16	150
SK 9032.1 AXB	40 x 210	24	55	M16 x 70	A16	39,9	4	39,9	16	M16	140 x 2.0	M16	170
SK 9032.1 A..B	50 x 210	25	65	M16 x 70	A16	49,9	4	49,9	20	M20	150 x 2.5	M20	170
SK 9042.1 AXB	50 x 240	25	65	M16 x 70	A16	49,9	4	49,9	20	M20	150 x 2,5	M20	200
SK 9042.1 A..B	60 x 240	29	75	M20 x 90	A20	59,9	5	59,9	24	M24	160 x 3.0	M24	195
SK 9052.1 AXB	60 x 300	29	75	M20 x 90	A20	59,9	5	59,9	24	M24	160 x 3.0	M24	255
SK 9052.1 A..B	70 x 300	29,5	95	M20 x 90	A20	69,9	5	69,9	24	M24	170 x 3.0	M24	255
SK 9072.1 AXB	90 x 350	34	102	M24 x 110	A24	89,9	8	89,9	30	M30	190 x 4.0	M30	290
SK 9072.1 A..B	90 x 350	34	102	M24 x 110	A24	89,9	8	89,9	30	M30	190 x 4.0	M30	290
SK 9082.1 AXB	100 x 420	34,5	120	M24 x 110	A24	99,9	8	99,9	30	M30	1100 x 4.0	M30	365
SK 9082.1 A..B	110 x 420	34,5	135	M24 x 110	A24	109,9	10	109,9	30	M30	1110 x 5.0	M30	360
SK 9086.1 AXB	110 x 500	34	135	M24 x 110	A24	109,9	10	109,9	30	M30	1110 x 5.0	M30	440
SK 9086.1 A..B	120 x 500	34,5	150	M24 x 110	A24	119,9	10	119,9	32	M36	1120 x 5.0	M36	440
SK 9092.1 AXB	120 x 610	34	140	M24 x 110	A24	119,9	10	119,9	35	M36	1120 x 5.0	M36	550
SK 9092.1 A..B	150 x 610	47	200	M30 x 130	A30	149,9	10	149,9	35	M36	1150 x 5.0	M36	550
SK 9096.1 AXB	160 x 674	47	200	M36 x 140	A36	159,9	10	159,9	34	M36	1160 x 4.0	M36	605
SK 9096.1 A..B	160 x 674	47	200	M36 x 140	A36	159,9	10	159,9	34	M36	1160 x 4.0	M36	605

The data listed also applies to bevel gear units with a larger number of stages ⇒  A58

Helical worm gear units

Type	1		2		3	4	5		6		7	8	11
	d x mH	a	D			d2	s	d3	s3			L	
SK 02050 AZB	25 x 132	19	38	M10 x 45	A10	24,9	3	24,9	12	M12	125 x 1.2	M12	110
	30 x 132	19	40	M10 x 45	A10	29,9	3	29,9	12	M12	130 x 1.2	M12	110
SK 12063 AZB	30 x 148	19	40	M10 x 45	A10	29,9	3	12	12	M12	135 x 1.5	M12	125
	35 x 148	23,5	45	M12 x 55	A12	34,9	3	16	16	M16	140 x 1.75	M16	120
SK 12080 AZB	40 x 168	24	55	M16 x 70	A16	39,9	4	39,9	16	M16	140 x 1.75	M16	135
	45 x 168	25	60	M16 x 70	A16	44,9	4	44,9	16	M16	145 x 2.0	M16	135
SK 32100 AZB	50 x 202	25	65	M16 x 70	A16	49,9	4	49,9	20	M20	150 x 2.0	M20	165
	60 x 202	29	75	M20 x 70	A20	59,9	5	59,9	24	M24	160 x 2.0	M24	155
SK 42125 AZB	60 x 250	29	75	M20 x 90	A20	59,9	5	59,9	24	M24	160 x 2.0	M24	205
	70 x 250	29	95	M20 x 90	A20	69,9	5	69,9	24	M24	170 x 2,5	M24	205

The data listed also applies to helical worm gear units with a higher number of stages ⇒  A59

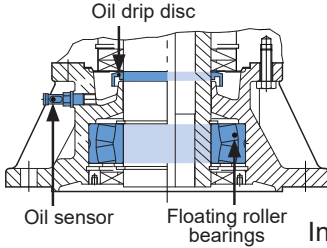
Reinforced output shaft bearing VL2/VL3

VL2 / VL3

Especially for agitators, NORD offers reinforced output shaft bearings with increased bearing spacing, to cope with high axial and radial forces and provide a longer operating life.

The **floating roller bearings** are particularly suitable for longer agitator shafts, as errors in alignment are partially compensated.

Floating roller bearings



Option VL3

“DRYWELL” version, as for VL2 and with additional **oil drip disc** and oil leakage indicator or **oil sensor**.

Safety function

In case of any leakage in the lower sealing rings of the output shaft, the oil drips into a collecting space of the “DRYWELL” flange via the oil drip disc, and is detected by an oil sensor. The sealing rings must then be replaced in order to prevent escape into the agitator space.

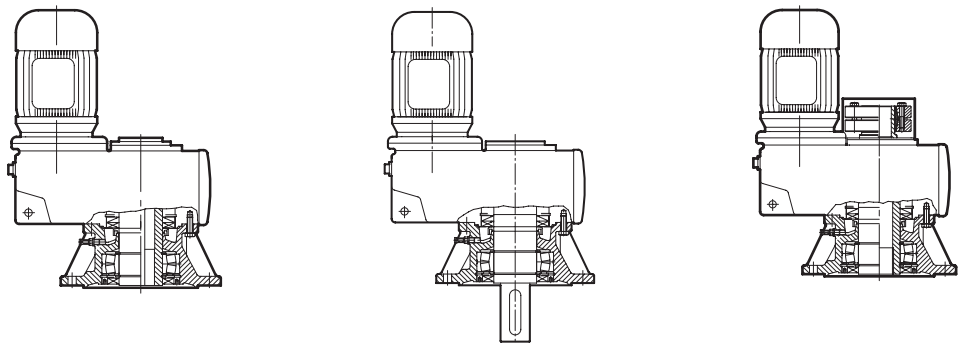
Calculation of the bearing life on request.

For the calculation we require the following data:

Calculation of bearing life

- **P** [kW] Rated power
- **n₂** [min⁻¹] Output speed
- **F_A** [N] Axial force
- **F_R** [N] Radial force
- **C** [mm] Distance of point of action of the force from the contact surface of the flange
- **L_h** [h] Required bearing life
- **M_b** [Nm] Bending torque

Parallel shaft geared motors

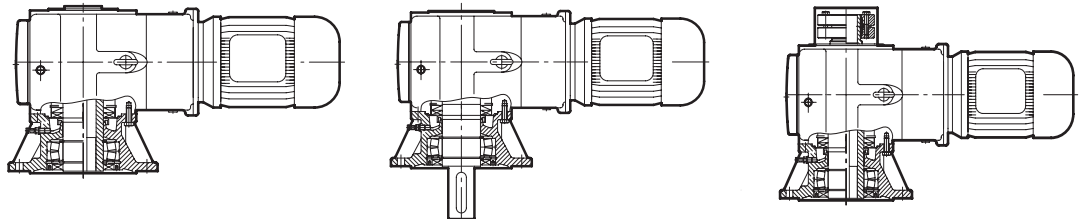


SK ..82 AF(B) VL2 mm ⇨ D98
 SK ..82 AF(B) VL3 ⇨
 SK ...82.1 VL2
 SK ...82.1 VL3

SK ..82 VF VL2 mm ⇨ D99
 SK ..82 VF VL3 ⇨
 SK ...82.1 VF VL2
 SK ...82.1 VF VL3

SK ..82 AFSH VL2 mm ⇨ D100
 SK ..82 AFSH VL3 ⇨
 SK ...82.1 AFSH VL2
 SK ...82.1 AFSH VL3

Bevel geared motors



SK 90 ...1 AF(B) VL2 mm ⇨ D98
 SK 90 ...1 AF(B) VL3 ⇨

SK 90 ...1 VF VL2 mm ⇨ D99
 SK 90 ...1 VF VL3 ⇨

SK 90 ...1 AFSH VL2 mm ⇨ D100
 SK 90 ...1 AFSH VL3 ⇨

Back stop

Backstops are available as an option. These allow rotation in only one direction; the other direction of rotation is stopped.

Three-phase AC-motors size 80 and above and mounting adapters with free input shafts (\Rightarrow A42, labelled as RLS) may be equipped with a grease-lubricated backstop. These backstops lift off due to centrifugal force at a rotation speed $n_1 >$ approx. 900 rpm and then run without wear.

grease-lubricated
backstop

Bevel gear units SK 9012.1, SK 9022.1, ... SK 9096.1 are available with a backstop which is integrated into the gear unit as standard. For these, the backstop is lubricated via the gear unit oil filling.

Integrated
backstop

The attachment adapters IEC 132 ... 315 for gear units of size SK 62/6282/9072.1 and above can be equipped with a back stop as a special version. Smaller gear units with smaller IEC adapters are available as special versions with a back stop in the IEC adapter. Please contact us.

Special version
with backstop

For drive units with a backstop, the direction of rotation of the output shaft must be stated. The **direction of rotation** is stated with a view onto the drive shaft.

Statement of direction
of rotation of the
output shaft

For angular gear units, the output shaft position (A or B, \Rightarrow A64) determines the direction of rotation for the defined viewing direction. The direction of view for the statement of direction of rotation is always towards the output shaft journal. For hollow shaft drive units with shrink discs, the output shaft end is located on the side opposite from the shrink disc side. For hollow shaft gear units with locking keys or a splined hub profile and with hollow shafts on both sides, the direction of view is towards the A side of the angular gear unit.

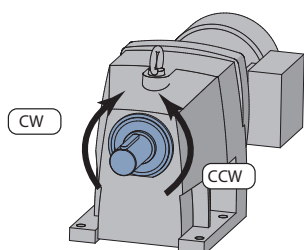
Notice! Danger of fracture. Check the direction of rotation of the motor and the gear unit before starting up the system. Arrows on the gearbox indicate the direction of rotation.

Attention!
Danger of fracture

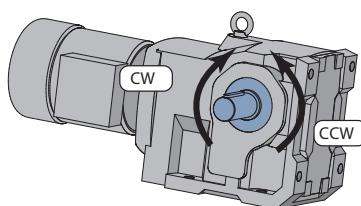
Previously, the blocking direction was given instead of the direction of rotation:

Blocking direction: Left = I \rightarrow Direction of rotation **CW**
Blocking direction: Right = II \rightarrow Direction of rotation **CCW**

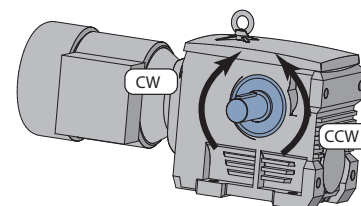
CW = Clockwise rotation, rotation to right (ClockWise rotation)
CCW = Anticlockwise rotation, rotation to left (Counter-ClockWise rotation)



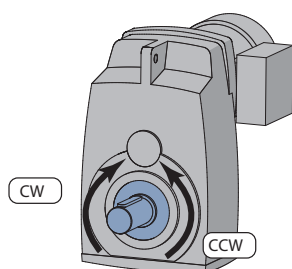
Helical gear unit motor



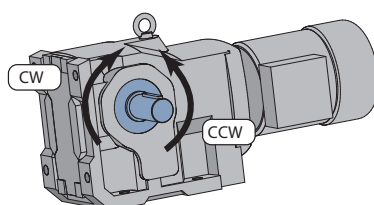
B-side bevel gear unit



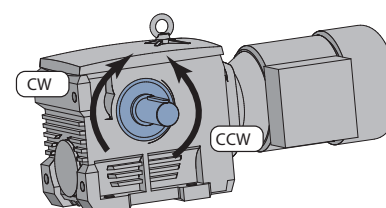
B-side worm gear unit



Parallel shaft gear unit motor



A-side bevel gear unit motor



A-side worm gear unit

Options

Direction of rotation of the motor or input shaft

Direction of rotation of the motor looking towards the fan cover or the input shaft looking towards the input shaft journal

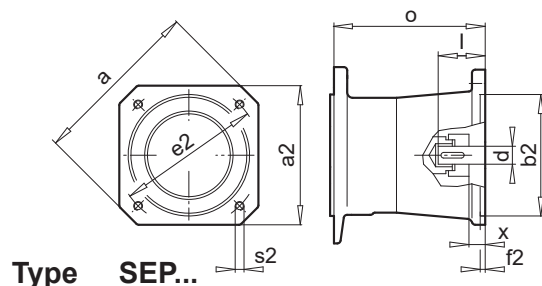
Gear unit type	Direction of rotation of output shaft CW	Direction of rotation of output shaft CCW
Single stage helical gear units SK11E to SK51E	Direction of rotation of motor CW	Direction of rotation of motor CCW
2 - stage NORDBLOC.1 helical gear units SK072.1 to SK972.1	Direction of rotation of motor CCW	Direction of rotation of motor CW
3 - stage NORDBLOC.1 helical gear units SK373.1 to SK973.1	Direction of rotation of motor CW	Direction of rotation of motor CCW
2 - stage helical gear units SK02 to SK102	Direction of rotation of motor CCW	Direction of rotation of motor CW
3 - stage helical gear units SK03 to SK103	Direction of rotation of motor CW	Direction of rotation of motor CCW
2 - stage parallel shaft gear units SK1282 to SK9282	Direction of rotation of motor CCW	Direction of rotation of motor CW
3 - stage parallel shaft gear units SK1382 to SK12382	Direction of rotation of motor CW	Direction of rotation of motor CCW
2 - stage bevel gear units SK92072.1 to SK92772.1	Direction of rotation of motor CCW	Direction of rotation of motor CW
* 3 - stage bevel gear units SK9012.1 to SK9096.1	Direction of rotation of motor CW	Direction of rotation of motor CCW
* 4 - stage bevel gear units SK9013.1 to SK9053.1	Direction of rotation of motor CCW	Direction of rotation of motor CW
2 - stage helical worm gear units SK02040 to SK42125 Output shaft position A or shrink disc at B	Direction of rotation of motor CW	Direction of rotation of motor CCW
2 - stage helical worm gear units SK02040 to SK42125 Output shaft position B or shrink disc at A	Direction of rotation of motor CCW	Direction of rotation of motor CW
3 - stage helical worm gear units SK13050 to SK43125 Output shaft position A or shrink disc at B	Direction of rotation of motor CCW	Direction of rotation of motor CW
3 - stage helical worm gear units SK13050 to SK43125 Output shaft position B or shrink disc at A	Direction of rotation of motor CW	Direction of rotation of motor CCW

⇒  A39 - Direction of rotation

* If required, in deviation from the standard designs listed in the table above, the direction of rotation of the output shaft in bevel gear units may be changed, as the bevel gear may be mounted left or right of the bevel pinion. To do this, a special output shaft is required for one-sided solid shaft designs and shrink disc designs.

Adapter for mounting servo motors

The maximum permissible servo motor speed is 4000 min⁻¹.
 The correct selection of the gear unit which is driven by a servo motor requires specific knowledge about the application.
 Please contact us, so that we can select the gear unit together.



Type **SEP...**

Available adapters

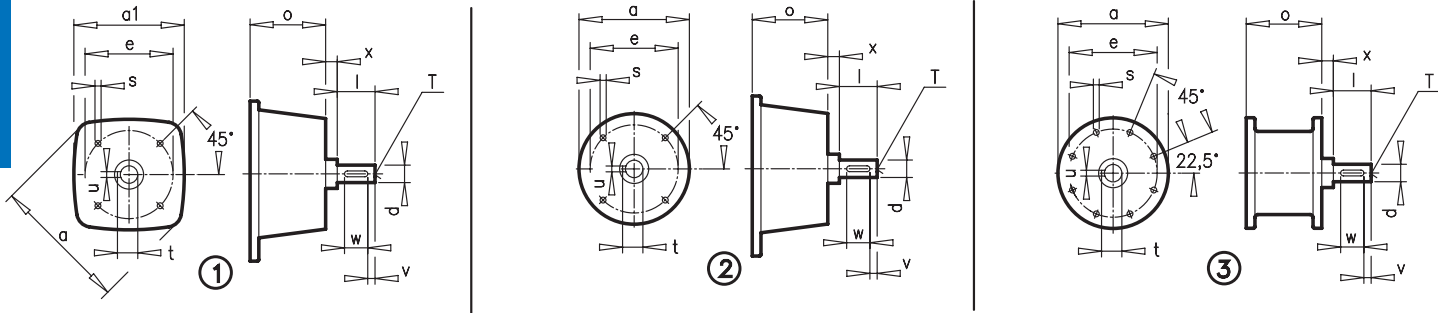
Gear unit type	Motor size							Shaft dimensions		Cylinder	Motor type	M _{knenn}	Adapter type
	a	a2	b2	e2	f2	s2	x	d	l	o	E.g.:	[Nm]	
*SK 372.1, SK 572.1, SK 672.1 *SK 373.1, SK 573.1, SK 673.1 SK 02, SK 12, SK 1282 SK 92372.1, SK 92672.1, SK 92772.1 SK 9012.1, SK 9016.1, SK 9022.1 SK 02050, SK 12063, SK 12080	120	96	80	100	4	M6	15	19	40	125	HJ96 1 FK6 04 1 FK7 04	*10 17	Servo 100 / 160 S
*SK 372.1, SK 572.1, SK 672.1 *SK 373.1, SK 573.1, SK 673.1 SK 02, SK 12 SK 1282 SK 92372.1, SK 92672.1, SK 92772.1 SK 9012.1, SK 9016.1, SK 9022.1 SK 02050, SK 12063, SK 12080	165	126	110	130	4	M8	20	24	50	137	HJ116 1 FK6 06 1 FK7 06	*35 60	Servo 130 / 160 S
*SK 772.1, SK 773.1 SK 22, SK 32 SK 2282, SK 3282 SK 9032.1 SK 32100	155	126	110	130	4	M8	20	24	50	151	HJ116 1 FK6 06 1 FK7 06	*35 60	Servo 130 / 250 S
*SK 372.1, SK 572.1, SK 672.1 *SK 373.1, SK 573.1, SK 673.1 SK 02, SK 12 SK 1282 SK 92372.1, SK 92672.1, SK 92772.1 SK 9012.1, SK 9016.1, SK 9022.1 SK 02050, SK 12063, SK 12080	186	155	130	165	5	M10	23	32	58	152	MSK070 MSK071 1 FK6 08 1 FK7 08 HJ 155	*95 160	Servo 165 / 160 S
*SK 772.1, SK 773.1 SK 22, SK 32 SK 2282, SK 3282 SK 9032.1 SK 32100	186	155	130	165	5	M10	23	32	58	167	MSK070 MSK071 1 FK6 08 1 FK7 08 HJ155	*95 160	Servo 165 / 250 S
*SK 772.1, SK 773.1 SK 22, SK 32 SK 2282, SK 3282 SK 9032.1 SK 32100	240	192	180	215	5	M12	45	38	80	188	MSK101 1 FK6 10 1 FK7 10	*95 160	Servo 215 / 250 S
*SK 872.1, SK 873.1, SK 972.1, SK 973.1 SK 42, SK 52 SK 4282, SK 5282 SK 9042.1, SK 9052.1 SK 42125	240	192	180	215	5	M12	24	38	80	230	MSK101 1 FK6 10 1 FK7 10	*310 525	Servo 215 / 300 S
*SK 872.1, SK 873.1, SK 972.1, SK 973.1 SK 42, SK 52 SK 4282, SK 5282 SK 9042.1, SK 9052.1 SK 42125	350	260	250	300	5	M16	26	48	82	232	1 FT6 13 1 FK7 10	*310 525	Servo 300 / 300 S
*SK 872.1, SK 873.1, SK 972.1, SK 973.1 SK 62, SK 72, SK 82, SK 92 SK 6282, SK 7282, SK 8282, SK 9282 SK 9072.1, SK 9082.1, SK 9086.1, SK 9092.1, SK 9096.1	350	260	250	300	5	M16	26	48	82	250	1 FT6 13 1 FK7 10	*310 525	Servo 300 / 350

The coupling for servo motors is equipped with parallel keys for the servo adapter type SEP shown above. For servo motors without parallel keys, the servo adapter type SEK is available with a clamp coupling sleeve.

It is possible to mount a large number of other servo motor types on the IEC adapter using an intermediate flange. We will be pleased to process your enquiry.

Options

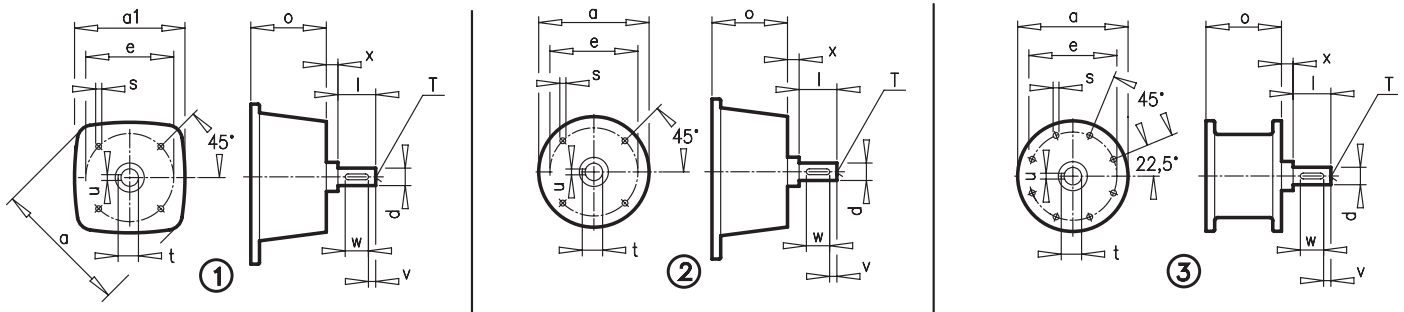
Add-on adapter with free input shaft - Helical gear units

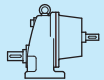
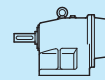
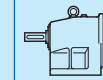
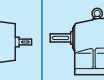


				RLS	① ② ③	a a1	e o	s	d l	t u	v w	x D
SK 11E W0	SK 02 W0 SK 12 W0	SK 03 W0 SK 13 W0 SK 23 W0 SK 33N W0	SK ../02 W0 SK ../12 W0 SK ../23 W0		2	90 --	75 70,5	M5 x 13	14 38,5	16 5	5 30	2 M5
SK 11E WII	SK 02 WII SK 12 WII	SK 03 WII SK 13 WII SK 23 WII SK 33N WII	SK ../02 WII SK ../12 WII SK ../23 WII	RLS	2	120 --	100 74,0	M8 x 13	16 40	18 5	4 32	8 M5
SK 21E WIII SK 31E WIII	SK 22 WIII SK 32 WIII	SK 43 WIII SK 53 WIII	SK ../22 WIII SK ../32 WIII SK ../43 WIII SK ../53 WIII		2	120 --	100 113,5	M8 x 13	16 40	18 5	4 32	8 M5
SK 11E WIII	SK 02 WIII SK 12 WIII	SK 03 WIII SK 13 WIII SK 23 WIII SK 33N WIII	SK ../02 WIII SK ../12 WIII SK ../23 WIII		2	150 --	125 119,5	M8 x 13	24 50	27 8	5 40	8 M8
SK 21E WI SK 31E WI	SK 22 WI SK 32 WI	SK 43 WI SK 53 WI	SK ../22 WI SK ../32 WI SK ../43 WI SK ../53 WI		1	180 140	125 113,5	M8 x 13	24 50	27 8	5 40	8 M8
SK 41E WIV SK 51E WIV	SK 42 WIV SK 52 WIV	SK 63 WIV	SK ../42 WIV SK ../52 WIV		1	180 140	125 124	M8 x 13	24 50	27 8	5 40	8 M8
SK 21E WII SK 31E WII	SK 22 WII SK 32 WII	SK 43 WII SK 53 WII	SK ../22 WII SK ../32 WII SK ../43 WII SK ../53 WII	RLS	1	180 140	150 113,5	M10 x 18	28 60	31 8	5 50	9 M10
SK 41E WI SK 51E WI	SK 42 WI SK 52 WI	SK 63 WI	SK ../42 WI SK ../52 WI		1	180 140	150 124	M10 x 16	28 60	31 8	5 50	9 M10
	SK 62 W0 SK 72 W0	SK 73 W0 SK 83 W0 SK 93 W0			2	180 --	150 124	M10 x 18	28 60	31 8	5 50	9 M10
SK 41E WII SK 51E WII	SK 42 WII SK 52 WII	SK 63 WII	SK ../42 WII SK ../52 WII	RLS	1	290 250	215 125	M12 x 20	38 80	41 10	5 70	8 M12
	SK 62 WI SK 72 WI SK 82 W0	SK 73 WI SK 83 W SK 93 WII SK 103 W0			1	290 250	215 170	M12 x 25	38 80	41 10	5 70	8 M12
SK 41E WIII SK 51E WIII	SK 42 WIII SK 52 WIII	SK 63 WIII	SK ../42 WIII SK ../52 WIII		1	290 250	250 125	M16 x 25	38 80	41 10	5 70	8 M12
	SK 62 WII SK 72 WII SK 82 WII	SK 73 WII SK 83 WI SK 93 WIII SK 103 WII			1	290 250	250 170	M16 x 25	38 80	41 10	5 70	8 M12

RLS ⇨ A39 - A40

Add-on adapter with free input shaft - Helical gear units

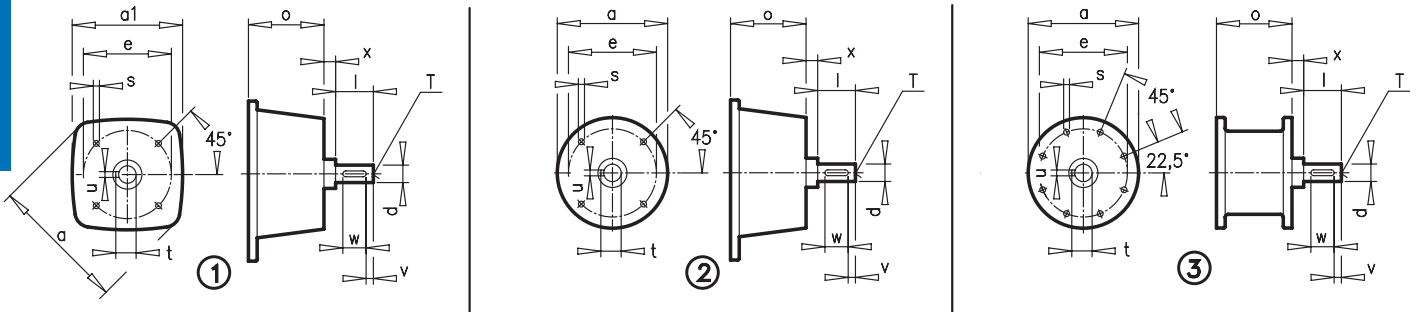


				RLS	① ② ③	a a1	e o	s	d l	t u	v w	x D
	SK 62 WIII SK 72 WIII	SK 73 WIII SK 83 WIII SK 93 WIII		RLS	1	290 250	250 170	M16 x 25	42 110	45 12	10 90	8 M16
	SK 62 WIV SK 72 WIV SK 82 WV SK 92 WV	SK 73 WIV SK 83 WIV SK 93 WIV SK 103 WIV			1	350 300	300 252	M20 x 30	65 140	69 18	15 110	8 M20
	SK 82 WI SK 92 WI SK 102 WI	SK 103 WI			1	350 300	250 236	M16 x 25	42 110	45 12	10 90	8 M16
	SK 82 WIII SK 92 WIII SK 102 WIII	SK 103 WIII		RLS	1	350 300	300 236	M20 x 30	65 140	69 18	15 110	8 M20

 RLS ⇒  A39 - A40

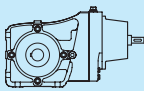
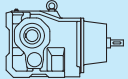
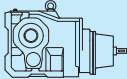
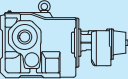
Options

Add-on adapter with free input shaft - Parallel shaft gear units



			RLS	① ② ③	a a1	e o	s	d l	t u	v w	x T
SK 1282 W0	SK 2382 W0 SK 3382 W0	SK ../02 W0 SK ../12 W0		2	90 -	75 70,5	M5 x 13	14 38,5	16 5	5 30	2 M5
SK 1282 WII	SK 2382 WII SK 3382 WII	SK ../02 WII SK ../12 WII	RLS	2	120 -	100 74	M8 x 13	16 40	18 5	4 32	8 M5
SK 2282 WIII SK 3282 WIII	SK 4382 WIII SK 5382 WIII	SK ../22 WIII SK ../32 WIII		2	120 -	100 113,5	M8 x 13	16 40	18 5	4 32	8 M5
SK 1282 WII	SK 2382 WIII SK 3382 WIII	SK ../02 WIII SK ../12 WIII		2	150 -	125 119,5	M8 x 13	24 50	27 8	5 40	8 M8
SK 2282 WI SK 3282 WI	SK 4382 WI SK 5382 WI	SK ../22 WI SK ../32 WI		1	180 140	125 113,5	M8 x 13	24 50	27 8	5 40	8 M8
SK 4282 WIV SK 5282 WIV	SK 6382 WIV	SK ../42 WIV SK ../52 WIV		1	180 140	125 124	M8 x 13	24 50	27 8	5 40	8 M8
SK 2282 WII SK 3282 WII	SK 4382 WII SK 5382 WII	SK ../22 WII SK ../32 WII	RLS	1	180 140	150 113,5	M10 x 18	28 60	31 8	5 50	9 M10
SK 4282 WI SK 5282 WI	SK 6382 WI	SK ../42 WI SK ../52 WI		1	180 140	150 124	M10 x 16	28 60	31 8	5 50	9 M10
SK 6282 W0 SK 7282 W0	SK 7382 W0 SK 8382 W0 SK 9382 W0			2	180 -	150 124	M10 x 18	28 60	31 8	5 50	9 M10
SK 4282 WII SK 5282 WII	SK 6382 WII	SK ../42 WII SK ../52 WII	RLS	1	290 250	215 125	M12 x 20	38 80	41 10	5 70	8 M12
SK 6282 WI SK 7282 WI	SK 7382 WI SK 8382 WI SK 9382 WI			1	290 250	215 170	M12 x 25	38 80	41 10	5 70	8 M12
SK 4282 WIII SK 5282 WIII	SK 6382 WIII	SK ../42 WIII SK ../52 WIII		1	290 250	250 125	M16 x 25	38 80	41 10	5 70	8 M12
SK 6282 WII SK 7282 WII SK 8282 WII	SK 7382 WII SK 8382 WII SK 9382 WII	SK 10382.1 WII SK 11382.1 WII		1	290 250	250 170	M16 x 25	38 80	41 10	5 70	8 M12
SK 6282 WIII SK 7282 WIII	SK 7382 WIII SK 8382 WIII SK 9382 WIII		RLS	1	290 250	250 170	M16 x 25	42 110	45 12	10 90	8 M16
SK 6282 WIV SK 7282 WIV SK 8282 WV	SK 7382 WIV SK 8282 WIV SK 9382 WIV SK 10382.1 WV			1	350 300	300 252	M20 x 30	65 140	69 18	15 110	8 M20
SK 8282 WI SK 9282 WI	SK 10382.1 WI SK 11382.1 WI			1	350 300	250 236	M16 x 25	42 110	45 12	10 90	8 M16
SK 8282 WIII SK 9282 WIII	* SK 10382.1 WIII * SK 11382.1 WIII		RLS	1	350 300	250 236	M20 x 30	65 (*70) 140	69 18	15 110	8 M20
SK 8282 WIV SK 9282 WIV	* SK 10382.1 WIV * SK 11382.1 WIV			3	550 -	500 245	∅ 17,5	65 (*70) 140	69 18	15 110	12 M20

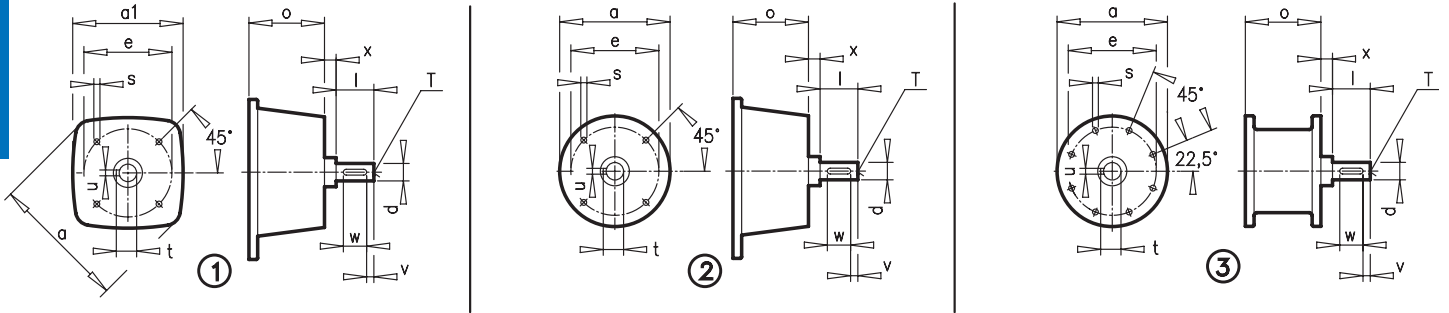
Add-on adapter with free input shaft - Bevel gear units

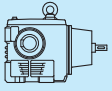
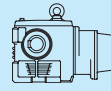
			RLS	① ② ③	a a1	e o	s	d l	t u	v w	x D
SK 92072.1 W0 SK 92172.1 W0 SK 92372.1 W0 SK 92672.1 W0 SK 92772.1 W0				2	120 --	75 61,5	M5 x 11	14 40	16 5	5 30	56 M5
SK 92072.1 WII SK 92172.1 WII SK 92372.1 WII SK 92672.1 WII SK 92772.1 WII				2	120 --	100 61,5	M8 x 11	16 40	18 5	4 32	8 M5
			RLS	① ② ③	a a1	e o	s	d l	t u	v w	x D
SK 9012.1 W0 SK 9016.1 W0 SK 9022.1 W0	SK 9013.1 W0 SK 9017.1 W0 SK 9023.1 W0 SK 9033.1 W0			2	90 --	75 70,5	M5 x 13	14 38,5	16 5	5 30	2 M5
SK 9012.1 WII SK 9016.1 WII SK 9022.1 WII	SK 9013.1 WII SK 9017.1 WII SK 9023.1 WII SK 9033.1 WII		RLS	2	120 --	100 74	M8 x 13	16 40	18 5	4 32	8 M5
SK 9032.1 WIII	SK 9043.1 WIII SK 9053.1 WIII	SK ../32 WIII		2	120 --	100 113,5	M8 x 13	16 40	15 8	4 32	8 M5
SK 9012.1 WIII SK 9016.1 WIII SK 9022.1 WIII	SK 9013.1 WIII SK 9017.1 WIII SK 9023.1 WIII SK 9033.1 WIII			2	150 --	125 119,5	M8 x 13	24 50	27 8	5 40	8 M8
SK 9032.1 WI	SK 9043.1 WI SK 9053.1 WI	SK ../32 WI		1	180 140	125 113,5	M8 x 13	24 50	27 8	5 40	8 M8
SK 9042.1 WIV SK 9052.1 WIV		SK ../42 WIV SK ../52 WIV		1	180 140	125 124	M8 x 13	24 50	27 8	5 40	8 M8
SK 9032.1 WII	SK 9043.1 WII SK 9053.1 WII	SK ../32 WII	RLS	1	180 140	150 113,5	M10 x 18	28 60	31 8	5 50	9 M10
SK 9042.1 WI SK 9052.1 WI		SK ../42 WI SK ../52 WI		1	180 140	150 124	M10 x 16	28 60	31 8	5 50	9 M10
SK 9072.1 W0				2	180 --	150 124	M10 x 18	28 60	31 8	5 50	9 M10
SK 9042.1 WII SK 9052.1 WII		SK ../42 WII SK ../52 WII	RLS	1	290 250	215 125	M12 x 20	38 80	41 10	5 70	8 M12
SK 9072.1 WI				1	290 250	215 170	M12 x 25	38 80	41 10	5 70	8 M12
SK 9042.1 WIII SK 9052.1 WIII		SK ../42 WIII SK ../52 WIII		1	290 250	250 125	M16 x 25	38 80	41 10	5 70	8 M12
SK 9072.1 WII SK 9082.1 WII SK 9086.1 WII				1	290 250	250 170	M16 x 25	38 80	41 10	5 70	8 M12
SK 9072.1 WIII			RLS	1	290 250	250 170	M16 x 25	42 110	45 12	10 90	8 M16
SK 9072.1 WIV SK 9082.1 WIV SK 9086.1 WIV				1	350 300	300 252	M20 x 30	65 140	69 18	15 110	8 M20
SK 9082.1 WI SK 9086.1 WI SK 9092.1 WI SK 9096.1 WI				1	350 300	250 236	M16 x 25	42 110	45 12	10 90	8 M16
SK 9082.1 WIII SK 9086.1 WIII SK 9092.1 WIII SK 9096.1 WIII			RLS	1	350 300	300 236	M20 x 30	65 140	69 18	15 110	8 M20
SK 9082.1 WIV SK 9086.1 WIV SK 9092.1 WIV SK 9096.1 WIV				3	550 --	500 245	∅ 17,5	65 140	69 18	15 110	12 M20

 RLS ⇒  A39 - A40

Options

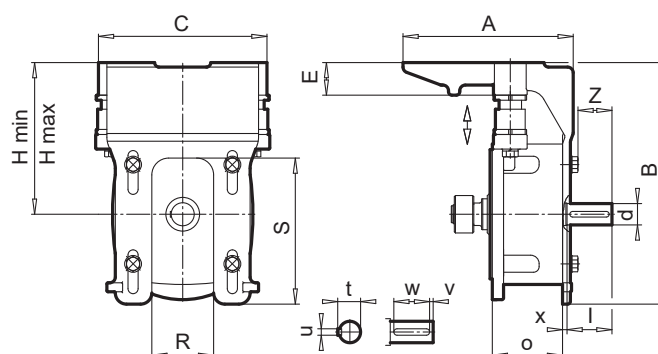
Add-on adapter with free input shaft - Helical worm gear units



		RLS	① ② ③	a	a1	e	o	s	d l	t u	v w	x D
SK 02050 W0 SK 12063 W0 SK 12080 W0	SK 13050 W0 SK 13063 W0 SK 13080 W0 SK 33100 W0		2	90	--	75	70,5	M5 x 13	14 38,5	16 5	5 30	2 M5
SK 02050 WII SK 12063 WII SK 12080 WII	SK 13050 WII SK 13063 WII SK 13080 WII SK 33100 WII	RLS	2	120	--	100	74	M8 x 13	16 40	18 5	4 32	8 M5
SK 32100 WIII	SK 43125 WIII		2	120	--	100	113,5	M8 x 13	16 4	18 5	4 32	8 M5
SK 02050 WIII SK 12063 WIII SK 12080 WIII	SK 13050 WIII SK 13063 WIII SK 13080 WIII SK 33100 WIII		2	150	--	125	119,5	M8 x 13	24 50	27 8	5 40	8 M8
SK 32100 WI	SK 43125 WI		1	180	140	125	113,5	M8 x 13	24 50	27 8	5 40	8 M8
SK 42125 WIV			1	180	140	125	124	M8 x 13	24 50	27 8	5 40	8 M8
SK 32100 WII	SK 43125 WII	RLS	1	180	140	150	113,5	M10 x 8	28 60	31 8	5 50	9 M10
SK 42125 WI			1	180	140	150	124	M10 x 16	28 60	31 8	5 50	9 M10
SK 42125 WII		RLS	1	290	250	215	125	M12 x 20	38 80	41 10	5 70	8 M12
SK 42125 WIII			1	290	250	250	125	M16 x 25	38 80	41 10	5 70	8 M12

RLS ⇨  A39 - A40

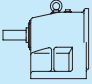
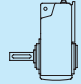
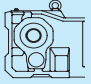
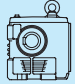
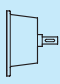
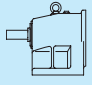
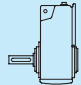
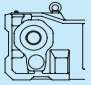

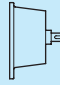
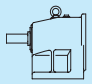
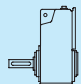
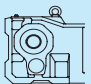

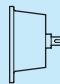
Motor brackets - dimensions



Type	Volume and connection dimensions										Shaft dimensions				Flange
	A	B	C	E	R	S	H Min.	H Max.	Z	o	d l	t u	v w	x	
MK I 63 S - 100 AH	222	253	204	45	60	140	153	173	41	119,5	24 50	27 8	5 40	8	160 S
MK II 80 SH - 112 MH	236	320	250	50	66	145	199	224	48	113,5	28 60	31 8	5 50	9	250 S
MK III - 1 90 SH - 132 MH	303	430	300	58	110	260	254	286	61	125	38 80	41 10	5 70	8	300 S
MK III - 2 90 SH - 132 MH	303	430	300	58	110	260	254	286	91	170	42 110	45 12	10 90	8	Ø 250
MK IV 112 MH - 200 LH	476	530	400	75	130	315	315	355	116	252	65 140	69 18	15 110	8	Ø 350
MK V 200 LH - 280 MH	662	690	570	105	382	369	465	515	119	245	65 140	69 18	15 110	12	Ø 450

Options

Motor brackets - assignment

					63 S 63 L	71 S 71 L	80 SH 80 LH	90 SH 90 LH	100 LH 100 AH	112 MH	132 SH 132 MH
SK 11 E SK 12	SK 1282	SK 9012.1 SK 9016.1 SK 9022.1	SK 02050 SK 12063 SK 12080	W III	MK I	MK I	MK I	MK I	MK I		
SK 21 E SK 31 E SK 22 SK 32	SK 2282 SK 3282	SK 9032.1	SK 32100	W II			MK II	MK II	MK II	MK II	
SK 41 E SK 51 E SK 42 SK 52 SK 63	SK 4282 SK 5282 SK 6382	SK 9042.1 SK 9052.1	SK 42125	W III				MK III-1	MK III-1	MK III-1	MK III-1
SK 62 SK 72 SK 73 SK 83	SK 6282 SK 7282 SK 7382 SK 8382 SK 9382	SK 9072.1		W III				MK III-2	MK III-2	MK III-2	MK III-2
							112 MH	132 SH 132 MH	160 MH 160 LH 160 SH	180 MH 180 LH	200 LH
SK 62 SK 72 SK 73 SK 83	SK 6282 SK 7282 SK 7382 SK 8382 SK 9382	SK 9072.1		W IV					MK IV	MK IV	MK IV
SK 93				W IV			MK IV	MK IV	MK IV	MK IV	MK IV
SK 82 SK 92 SK 103	SK 8282 SK 9282 SK 10382.1	SK 9082.1		W V			MK IV	MK IV	MK IV	MK IV	MK IV
		SK 9086.1		W V			MK IV	MK IV	MK IV	MK IV**	MK IV**
					200 LH	225 SH 225 MH	250 MH	280 SH 280 MH			
SK 93	SK 9382			W V		MK V	MK V	MK V			
SK 82 SK 92 SK 103	SK 8282 SK 9282 SK 10382.1	SK 9082.1 SK 9086.1		W IV		MK V	MK V	MK V			
SK 102	SK 11382.1	SK 9092.1 SK 9096.1		W IV	MK V	MK V	MK V	MK V			

** Limited adjustment range

Selection example:



Determine the basic type of gear unit required from the output and speed overview table or the output and gear ratio table based on the required output and output speed.

E.g.: Page B4 – B40 helical gear units

4 kW, 86 min⁻¹, i = 16,66

results in the basic gear unit type **SK 32 - 112 M/4** or **SK 32 - IEC 112**.

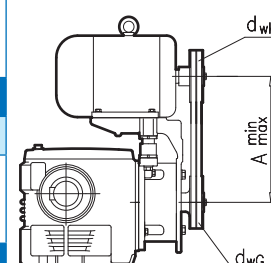
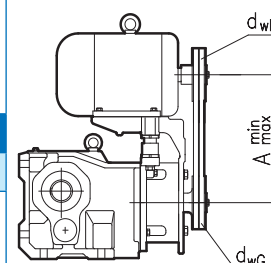
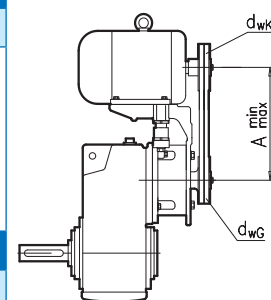
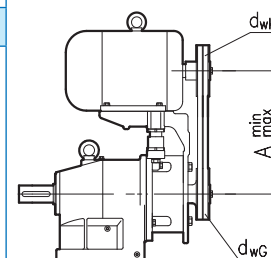
For this basic gear unit type, you can determine from the table (see above) that the motor bracket **MK II** is assigned. Therefore, the complete type designation is **SK 32 - MK II - 112**.

The **MK II** table (⇒  A49), contains further information regarding the belt pulley and the belt type. The basic dimensions can be seen in the table (⇒  A47).

Motor brackets

Suggestion for selecting V-belts and belt pulleys (not included in the NORD scope of delivery)

MK I				Belt type SPZ			
Motor	Power	Adjustment range		Belt length	Shaft centre distance	Number of belts	
	[kW]	A_{min}	A_{max}	(dwg = 80) (i=1) Lw	A		
63	S/4	0,12	216	236	697	223	1
63	L/4	0,18	216	236	697	223	1
71	S/4	0,25	224	244	710	229	1
71	L/4	0,37	224	244	710	229	1
80	SH/4	0,55	233	253	737	243	1
80	LP/4	0,75	233	253	737	243	1
90	SP/4	1,10	243	263	750	249	1
90	LP/4	1,50	243	263	750	249	2
100	LP/4	2,20	253	273	772	260	2
110	AP/4	3,00	253	273	772	260	3
MK II				Belt type XPZ			
	[kW]	A_{min}	A_{max}	(dwg = 112) (i=1) Lw	A		
80	SH/4	0,55	279	304	930	289	1
80	LP/4	0,75	279	304	930	289	1
90	SP/4	1,10	289	314	950	299	1
90	LP/4	1,50	289	314	950	299	1
100	LP/4	2,20	299	324	980	314	1
100	AP/4	3,00	299	324	980	314	2
112	MP/4	4,00	311	336	1000	324	2
MK III				Belt type SPZ			
	[kW]	A_{min}	A_{max}	(dwg = 160) (i=1) Lw	A		
90	SP/4	1,10	344	376	1222	360	1
90	LP/4	1,50	344	376	1222	360	1
100	LP/4	2,20	354	386	1250	374	1
100	AP/4	3,00	354	386	1250	374	1
112	MP/4	4,00	366	398	1262	380	2
132	SP/4	5,50	386	418	1312	405	2
132	MP/4	7,50	386	418	1312	405	3
MK IV				Belt type XPA			
	[kW]	A_{min}	A_{max}	(dwg = 200) (i=1) Lw	A		
112	MP/4	4,00	427	467	1500	436	1
132	SP/4	5,50	447	487	1550	461	1
132	MP/4	7,50	447	487	1550	461	2
160	SP/4	9,20	475	515	1600	486	2
160	MP/4	11,0	475	515	1600	486	2
160	LP/4	15,0	475	515	1600	486	3
180	MP/4	18,5	495	535	1650	511	3
180	LP/4	22,0	495	535	1650	511	4
200	LP/4	30,0	515	555	1700	536	4
MK V				Belt type SPA			
	[kW]	A_{min}	A_{max}	(dwg = 250) (i=1) Lw	A		
225	RP/4	30,0	665	715	2182	698	4
225	SP/4	37,0	690	740	2207	710	4
225	MP/4	45,0	690	740	2207	710	5
MK V				Belt type SPB			
	[kW]	A_{min}	A_{max}	(dwg = 250) (i=1) Lw	A		
250	WP/4	55,0	715	765	2240	727	4
280	SP/4	75,0	745	795	2310	762	5
280	MP/4	90,0	745	795	2310	762	5



Options

Integrated heat exchanger

NORD water cooling

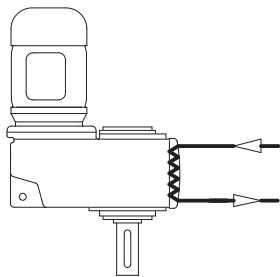
Water cooling

An integrated heat exchanger is optionally available for parallel shaft gear units and bevel gear units. The cooling water flows through the heat exchanger, and cools the gear unit. Monitoring of the temperature or the cooling water flow is recommended. As the cooling coil is not located in the oil space, the NORD water cooling is very reliable (German industrial design registration 20 2005 005 452.6).

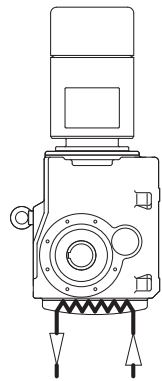
Water cooling is also suitable for use in areas with potentially explosive atmospheres (ATEX).

In low temperature areas, the heat exchanger may also be used to heat the gear unit. **An internal cooling coil in the gear unit is available on request.**

Possible mounting position for water cooling



Parallel shaft gear units	Installation orientation					
	M1	M2	M3	M4	M5	M6
SK 6282 / SK 6382	✓	✓		✓	✓	✓
SK 7282 / SK 7382	✓	✓		✓	✓	✓
SK 8282 / SK 8382	✓	✓		✓	✓	✓
SK 9282 / SK 9382	✓	✓		✓	✓	✓
SK 10382.1	✓	✓		✓	✓	✓
SK 11382.1	✓	✓		✓	✓	✓



Bevel gear units	Installation orientation					
	M1	M2	M3	M4	M5	M6
SK 9072.1 *			✓	✓		
SK 9082.1			✓	✓		
SK 9086.1			✓	✓		
SK 9092.1			✓	✓		
SK 9096.1			✓	✓		

* only available in versions AF(B), AZ... and VF, VZ ⇨ E104, E105, E133

The vent closure plug should be removed before commissioning and longer storage in order to prevent excess pressure in the gear unit, which could result in leaks developing in the gear unit.

On delivery, gear units and geared motors are factory-filled with lubricant and ready for operation. This initial filling corresponds to a lubricant from the column for the ambient temperatures (normal version) in the lubricant table.

The corresponding lubricants for other ambient temperatures are available at an additional charge.

With mineral oil filling, the lubricant should be replaced every 10,000 operating hours or after two years. These periods are doubled for synthetic products.

Shorter lubricant intervals are advisable for extreme operating conditions, e.g. high humidity, aggressive environment and large temperature fluctuations.

We recommend that replacement of the lubricants is combined with a thorough cleaning.

After changing the lubricant, and in particular after the initial filling, the oil level may change during the first few hours of operation, as the oil galleries and hollow spaces only fill gradually during operation. The oil level is still within the permissible tolerance.

If at the express request of the customer, an oil inspection glass is installed at an additional charge, we recommend that the customer corrects the oil level after an operating period of approx. 2 hours, so that when the gear unit is at a standstill and has cooled down, the oil level is visible in the inspection glass. Only then, is it possible to check the oil level by means of the inspection glass.

The gear unit is normally filled with mineral oil. Synthetic oil is available at an additional charge.

Comment: Do not mix synthetic and mineral lubricants! This also applies to disposal.

The stated filling quantities are for guidance only. The precise quantities vary depending on the exact gear ratio. When filling, always use the oil level screw as an indicator of the precise quantity of oil. The tables on pages ⇨ [A75-A833](#) show guideline amounts for the lubricant filling volume in litres, depending on the mounting position or configuration.

Lubricant replacement

After changing the lubricant and after initial filling

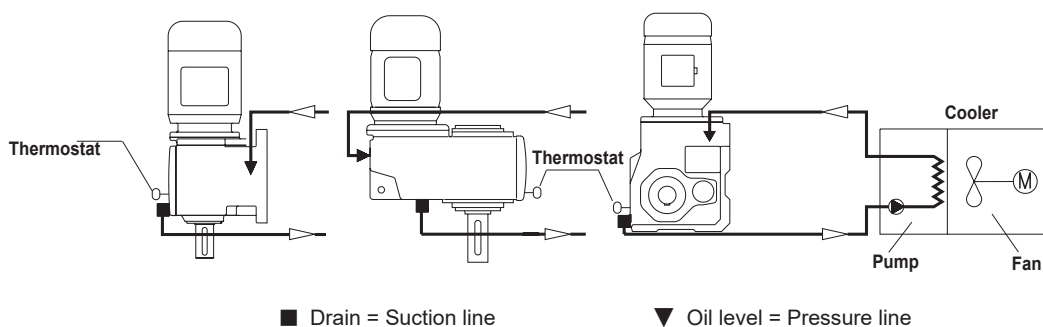
Oil inspection glass



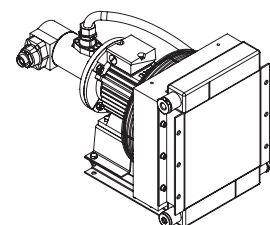
Do not mix oils

Display of precise oil quantity

Oil cooler




Oil cooler



The gear unit oil is drawn in by a pump and flows through a heat exchanger. The oil is cooled by an air stream which is generated by a fan. The oil is then returned to the housing from the heat exchanger. The temperature is controlled by a thermostat. Temperature monitoring is recommended.

Oil tank with mounting position M4, with the motor mounted vertically upright

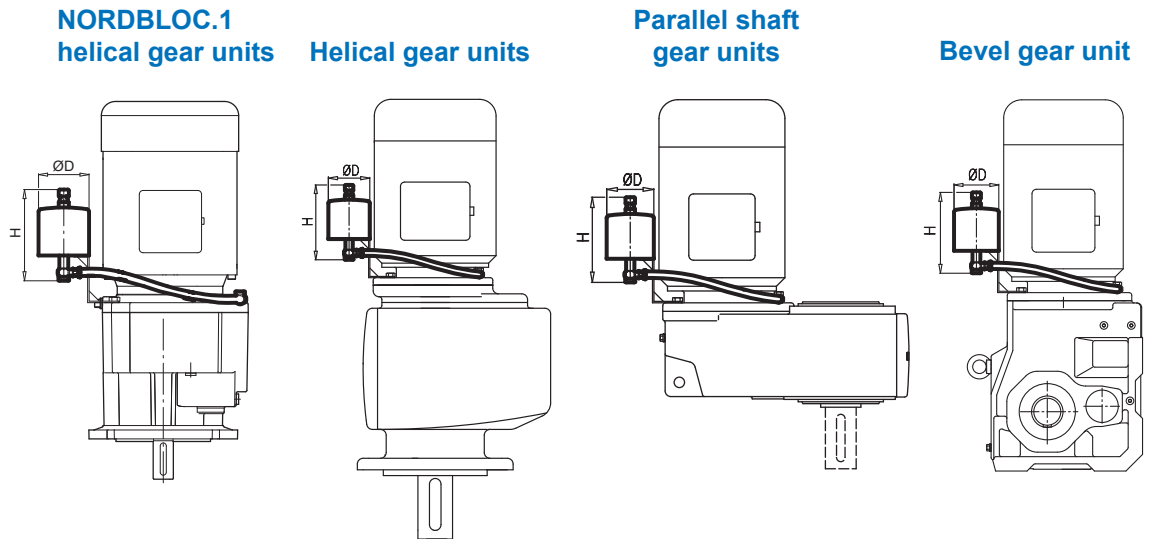
Gear units with a motor or input shaft mounted vertically upright have a high oil level for lubricating the 1st gear unit stage. The use of an optional oil expansion chamber for the vertical mounting position M4 (⇒  A67) prevents the possible leakage of oil from the vent plug if oil foaming occurs.

Oil storage tank if


- $i_{ges} < 20$
- $n > 1800$ rpm

NORD therefore strongly recommends that an oil expansion tank is used for gear ratios $i_{ges} < 20$ and for helical gear units size SK 42 and higher, for parallel shaft gear units SK 4282 to SK 8282 and higher, and for bevel gear units size SK 9042.1 and higher where the vertical mounting position M4 is used. Otherwise, no warranty is accepted.

Even for smaller size gear units and other gear unit types such as helical worm gear units NORD strongly recommends the use of an oil expansion vessel for gear ratios $i_{ges} < 20$ and motor speed greater 1800 min^{-1} (87 Hz characteristic curve).



NORDBLOC.1 helical gear units	Helical gear units	Parallel shaft gear units	Bevel gear unit	Size	D [mm]	H [mm]	[kg]
SK 572.1 / SK 573.1 SK 672.1 / SK 673.1 SK 772.1 / SK 773.1 SK 872.1 / SK 873.1 SK 972.1 / SK 973.1	SK 42 / SK 43 SK 52 / SK 53 SK 63	SK 4282 / SK 4382 SK 5282 / SK 5382 SK 6382	SK 9042.1 / SK 9043.1 SK 9052.1 / SK 9053.1	I	100	180	5
	SK 62 SK 72 / SK 73	SK 6282 SK 7282 / SK 7382	SK 9072.1 SK 9082.1	II	150	300	6
	SK 82 / SK 83 SK 92 / SK 93 SK 102 / SK 103	SK 8282 / SK 8382	SK 9086.1 SK 9092.1 SK 9096.1	III	180	300	7

As standard in the installation position M4, large parallel shaft gear units of size SK9282 and larger are equipped with an oil storage tank (⇒  A53).

Oil tank storage with mounting position M4, with the motor mounted vertically upright

Oil storage tanks are located above the gearbox and increase the oil level so that the oil level in the oil storage tank is always above the level in the gearbox. As all rotating components are completely below the surface of the oil, oil foaming is prevented. In addition, even with vertical designs, all bearings are lubricated in an oil bath.

Oil storage tanks are larger than oil expansion chambers and due to the additional vent pipes have two oil pipes which connect the oil storage tank to the gearbox. The oil level should be checked in the oil storage tank.

NORD strongly recommends that oil storage tanks are used for large parallel shaft gear units SK 9282 to SK 11382.1 when the vertical mounting position M4 is used (⇒ [A67](#)). Otherwise, no warranty is accepted.

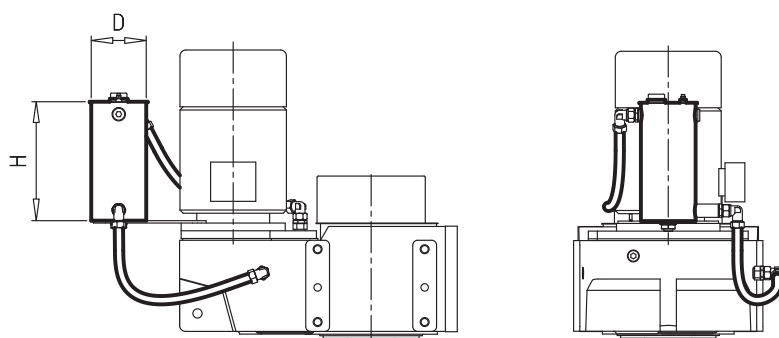
As standard, the oil storage tank is included as a kit which comprises the necessary oil lines, fixing material and assembly instructions. This enables the gear unit to be transported more cheaply and safely. In addition, the position of the oil storage tank can be determined on site during assembly.

We will be glad to provide detailed information regarding the positioning possibilities and dimensions of the oil level tank on request (WN 0-521 31).

As standard, the parallel shaft gear unit types SK9282 / SK9382 and SK10382.1 / SK11382.1 are supplied filled with the quantity of oil stated in ⇒ [A78](#).

On commissioning, the oil storage tank requires an additional quantity of approx. 30 litres of oil in order to maintain its recommended level. With the parallel shaft gear unit type SK11382.1 increases the required amount of oil by approx. 40 liters.

The standard delivery is made without this additional quantity of oil. However, a suitable container of oil can be supplied on request, subject to an extra charge.



Getriebetyp	Größe	D [mm]	H [mm]	zusätzliche Ölmenge [L]	Behältervolumen [L]
SK 9282 / SK 9382 SK 10382.1	I	185	390	ca. 30	10
SK 11382.1	II	320	390	ca. 40	30

Use of NORD
oil storage tanks






Oil storage tank
kit

Oil quantity

Lubricants

Lubricants

This table shows comparable lubricants from various manufacturers. The manufacturer can be changed within a particular viscosity or lubricant type. We must be contacted in case of change of viscosity or lubricant type, as otherwise no warranty for the functionality of our gearboxes can be accepted.







Lubricant type	Details on type plate	Ambient temperature				Mobil		
Mineral oil	CLP 680	Worm gear units ISO VG 680 0...40°C	Alpha EP 680 Alpha SP 680 Optigear BM 680 Optigear Synthetic 1100/680	Renolin CLP 680 CLP 680 Plus	Klüberoil GEM 1-680N	Mobilgear 600 XP 680	Omala S2 G 680	Carter EP 680 Carter XEP 680
	CLP 220	ISO VG 220 -10...40°C standard version	Alpha EP 220 Alpha SP 220 Optigear BM 220 Optigear Synthetic 1100/220	Renolin CLP 220 CLP 220 Plus	Klüberoil GEM 1-220N	Mobilgear 600 XP 220	Omala S2 G 220	Carter EP 220 Carter XEP 220
	CLP 100	ISO VG 100 -15...25°C	Alpha EP 100 Alpha SP 100 Optigear BM 100 Optigear Synthetic 1100/100	Renolin CLP 100 CLP 100 Plus	Klüberoil GEM 1-100N	Mobilgear 600 XP 100	Omala S2 G 100	Carter EP 100
Synthetic oil (Polyglycol)	CLP PG 680	Worm gear units ISO VG 680 -20...40°C standard version	Alphasyn GS 680 Optigear Synthetic 800/680	Renolin PG 680	Klübersynth GH 6-680	Mobil Glygoyle 680	Omala S4 WE 680	Carter SY 680 Carter SG 680
	CLP PG 220	ISO VG 220 -25...80°C	Alphasyn GS 220 Alphasyn PG 220 Optigear Synthetic 800/220	Renolin PG 220	Klübersynth GH 6-220	Mobil Glygoyle 220	Omala S4 WE 220	
Synthetic oil (hydrocarbons)	CLP HC 460	Worm gear units ISO VG 460 * -30...80°C	Alphasyn EP 460 Optigear Synthetic PD 460	Renolin Unisyn CLP 460	Klübersynth GEM 4-460N	Mobil SHC 634	Omala S4 GX 460	Carter SH 460
	CLP HC 220	ISO VG 220 * -40...80°C	Alphasyn EP 220 Optigear Synthetic PD 220	Renolin Unisyn CLP 220 Renolin Unisyn Gear VCI	Klübersynth GEM 4-220N	Mobil SHC 630	Omala S4 GX 220	Carter SH 220
Bio-degradable oil	CLP E 680	Worm gear units ISO VG 680 -5...40°C	-	Plantogear 680 S	-	-	-	-
	CLP E 220	ISO VG 220 -5...40°C	Performance Bio GE 220 ESS ...ESU	Plantogear 220 S	Klübersynth GEM 2-220	-	Naturelle Gear Fluid EP 220	-
Food compatible oil ¹⁾	CLP PG H1 680	Worm gear units ISO VG 680 -5...40°C	Optileb GT 1800/680	Cassida Fluid WG 680	Klüberoil UH1 6-680N	Mobil Glygoyle 680		-
	CLP PG H1 220	ISO VG 220 -25...40°C	Optileb GT 1800/200	Cassida Fluid WG 220	Klübersynth UH1 6-220	Mobil Glygoyle 220		Nevastane SY 220
	CLP HC H1 680	ISO VG 680 -5...40°C	Optileb GT680	Cassida Fluid GL 680	Klüberoil 4 UH1-680N	-		-
	CLP HC H1 220	ISO VG 220 -25...40°C	Optileb GT 220	Cassida Fluid GL 220	Klüberoil 4 UH1-220N	Mobil SHC Cibus 220		Nevastane XSH 220
Gear unit liquid grease GP 00 K-30		-25...60°C	Tribol GR 100-00 PD Tribol GR Tribol 3020/1000-00PD** Sphaerol EPL 00	Renolit Duraplex EP00	Microlobe GB 00 (-20...90/150°C)	Mobil Chassis Grease LBZ	Alvania EP(LF)2	Multis EP 00
Polyglycol-based GP PG 00 K-30		-25...60°C	-	Renolit LST 00	Klübersynth GE 46-1200	Mobil Glygoyle Grease 00	-	Marson SY 00
Polyalphaolefine-based GP HC 00 K-30		-25...60°C	-	-	Klübersynth UH1 14-1600 ¹⁾	Mobilith SHC 007	Cassida RLS 00	-

* Above 60°C shaft sealing rings made from special materials must be used.

** For very low speeds

1) Food-compatible oils + greases as per Regulation H1 / FDA 178.3570

Bearing lubricant types

Lubricant type according to DIN 51502	Ambient-temperature	Operating-temperature						
Mineral oil-based grease								
K2K-25		-25 ... 140°C	Spheerol EPL 2					
K2K-20 or KP2K-20	-20 to 60°C	-20 ... 120°C		Spheerol EPL 2		-	-	Alvania EP(LF)2
K 2 K -30 or KP 2 K -30 Mineral oil based	-30 to 60°C (normal)	-30 ... 120 °C	-	Tribol GR 100-2 PD	Renolit GP 2 Renolit LZR 2H	-	Mobilux EP 2	Gadus S2 V100 2
K 2 G -50 or KP 2 G -50 Low temperature grease **	*-50 ... 40°C	-50 ... 100 °C	-	Optitemp LG 2	Renocal FN 745/94 Renolit WTF 2	-	-	-
Synthetic greases								
KP PG 2 N-30 Polyglycol-based	*-25...80°C	-30 ... 140°C	-	-	Renolit LST 2	-	-	-
KP HC 2 K-30	-	-30 ... 120°C	-	-	-	Petamo GHY 133N	-	-
KP HC 2 x -40 Polyalphaolefine-based	-25 ... 80°C	-40 ... 140°C	Spheerol SY 2202	Spheerol SY 2202 Tribol GR 4747/220-2 HT	Renolit HLT 2	Klüberplex BEM 41-132	Mobilith SHC 220 Mobiltemp SHC 32	-
K HC 1 E-50	-50 ... 80°C	-50 ... 80°C	-	-	Renolit S2 (KE2/1K-60)	Isoflex Topas NCA 52 Isoflex Topas L 152	-	Cassida LTS1 (PAO, HSF H1)
Rapidly biodegradable grease								
KP E 2 K-30 or K E 2 K-30	-25...40°C	-30 ... 120°C	Castrol BioTac MP	BioTac MP	-	-	-	Naturelle Grease EP2
KP E 2 K-40		-40 ... 120°C	-	-	Plantogel 2 S	Klüberbio M 72-82	Mobil SHC Grease 102 EAL	-
Food-compatible grease H1/FDA								
K 2 K -30 or KP 2 K -30	-25...40°C	-30 ... 120°C	-	Optileb GR UF2	-	Klübersynth UH1 14-151 Klübersynth UH1 14-222	-	-
K 2 N -20 or KP 2 N -20		-20 ... 140°C	-	-	Renolit G7 FG1 Cassida Grease EPS 2	-	Mobilgrease FM 222	-
KP HC 2 K-30	-25...40°C	-30 ... 120°C	PAO	-	-	-	-	Cassida EPS 2

* For ambient temperatures below -30°C and above 60°C shaft sealing rings with special material qualities must be used.

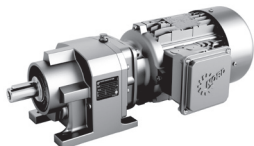
** Greases based on mineral oil or basic oils which can be mixed with mineral oil (PAO, HC, ester)

Please note that some greases which have different soap bases may not be mixed. The lubricant supplier should be consulted if the type of grease is changed.

Standards, Regulations Nomenclature

NORDBLOC.1 helical gear units

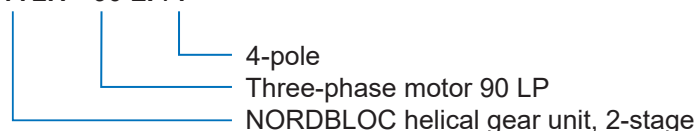
Sizes



2-stage	3-stage
SK 072.1	
SK 172.1	
SK 372.1	SK 373.1
SK 572.1	SK 573.1
SK 672.1	SK 673.1
SK 772.1	SK 773.1
SK 872.1	SK 873.1
SK 972.1	SK 973.1

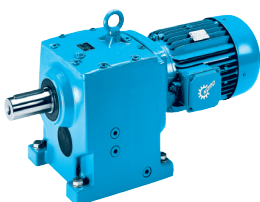
Order example

SK 772.1 - 90 LP/4



Helical gear units

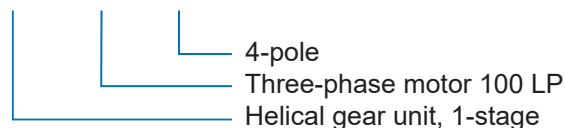
Sizes



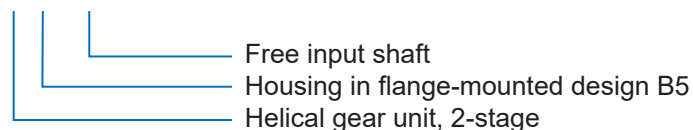
1-stage	2-stage	3-stage	4-stage	5-stage	6-stage
			Double gear units		
	SK 02	SK 03			
SK 11 E	SK 12	SK 13	SK 12/02		
SK 21 E	SK 22	SK 23	SK 22/02		
SK 31 E	SK 32	SK 33 N	SK 32/12		
SK 41 E	SK 42	SK 43	SK 42/12		
SK 51 E	SK 52	SK 53	SK 52/12		
	SK 62	SK 63		SK 63/22	SK 63/23
	SK 72	SK 73		SK 73/22, SK 73/32	SK 73/23
	SK 82	SK 83		SK 83/32, SK 83/42	SK 83/33 N
	SK 92	SK 93		SK 93/42, SK 93/52	SK 93/43
	SK 102	SK 103		SK 103/52	SK 103/53

Order example

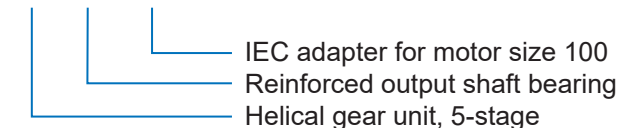
SK 31 E - 100 LP/4



SK 52 F - W



SK 93/42 VL - IEC 100



Parallel shaft gear units

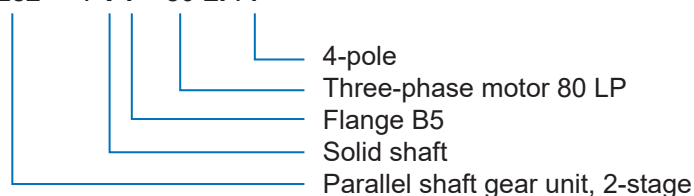
Sizes

Informations

2-stage	3-stage	4-stage	5-stage
		Double gear units	
SK 1282		SK 1282/02	
SK 2282	SK 2382	SK 2282/02	
SK 3282	SK 3382	SK 3282/12	
SK 4282	SK 4382	SK 4282/ 12	
SK 5282	SK 5382	SK 5282/12	
SK 6282	SK 6382		SK 6382/22, SK 6382/32
SK 7282	SK 7382		SK 7382/22, SK 7382/32
SK 8282	SK 8382		SK 8382/32, SK 8382/42
SK 9282	SK 9382		SK 9382/42, SK 9382/52
	SK 10382.1		SK 10382.1/52
	SK 11382.1		SK 11382.1/52

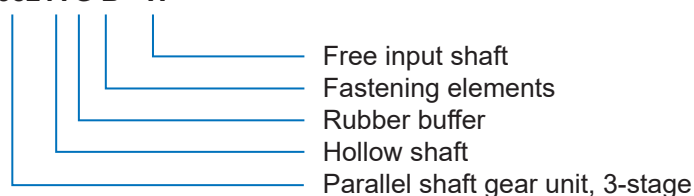


SK 1282 / V F - 80 LP/4

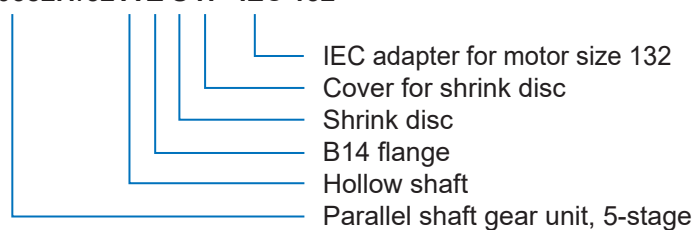


Order example

SK 8382 A G B - W



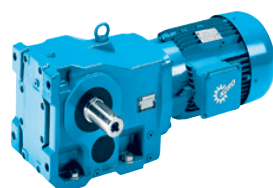
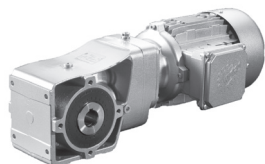
SK 10382.1/52 A Z S H - IEC 132



Standards, Regulations Nomenclature

Bevel gear units

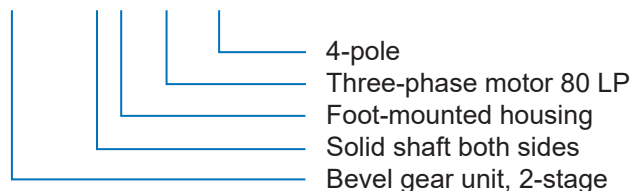
Sizes



2-stage	3-stage	4-stage	5-stage	6-stage
Double gear units				
SK 92072.1	SK 9012.1	SK 9013.1		
SK 92172.1	SK 9016.1	SK 9017.1		
SK 92372.1	SK 9022.1	SK 9023.1		
SK 92672.1	SK 9032.1	SK 9033.1		
SK 92772.1	SK 9042.1	SK 9043.1		
	SK 9052.1	SK 9053.1		
	SK 9072.1		SK 9072.1/32, SK 9072.1/42	
	SK 9082.1		SK 9082.1/42, SK 9082.1/52	
	SK 9086.1		SK 9086.1/52	
	SK 9092.1		SK 9092.1/52	
	SK 9096.1		SK 9096.1/62	SK 9096.1/63

Order examples:

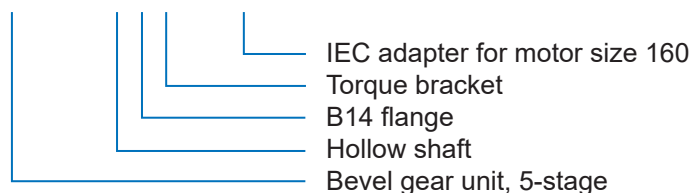
SK 92372.1 L X - 80 LP/4



SK 9033.1 A F - W



SK 9086.1/52 A Z K - IEC 160



Helical worm gear units

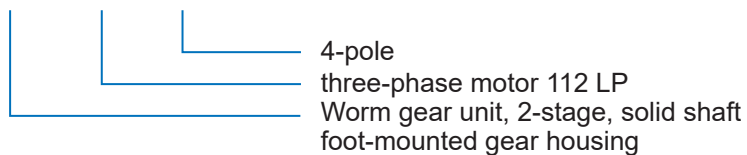
Sizes

Informations

2-stage	3-stage
SK 02050	SK 13050
SK 12063	SK 13063
SK 12080	SK 13080
SK 32100	SK 33100
SK 42125	SK 43125

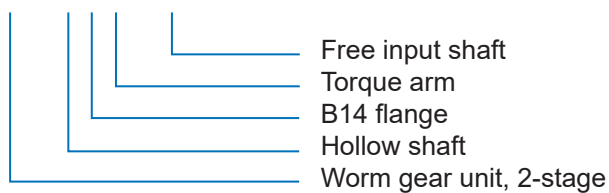


SK 12080 - 112 MP/4

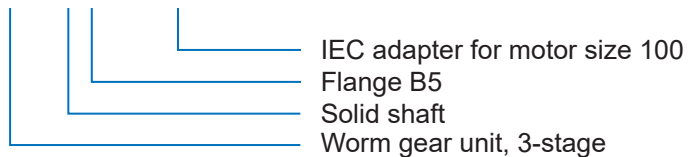


Order examples:

SK 32100 A Z D - W



SK 43125 V F - IEC 100



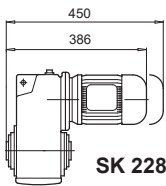
Standards, Regulations Nomenclature

Information for dimensioned drawings, geared motors and gear units

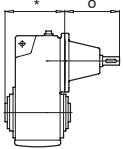
CAD drawings (dimension drawings, outline drawings, and 3D models) may be easily produced online using the NORD NORDCAD software!

Addition example for dimension drawings

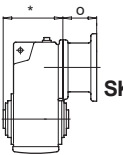
Parallel shaft gear unit SK 2282A



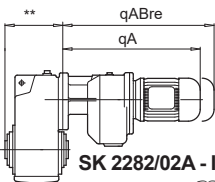
SK 2282A - 80L/4



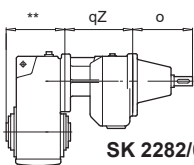
SK 2282A - W
* ⇒ D64
o ⇒ D88



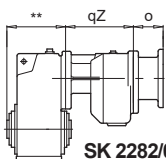
SK 2282A - IEC80
* ⇒ D64
o ⇒ D88



SK 2282/02A - IEC80
** ⇒ D64
qA ⇒ D85
qABre ⇒ D85



SK 2282/02A - W
** ⇒ D64
qz ⇒ D85
o ⇒ D87



SK 2282/02A - IEC80
** ⇒ D64
qz ⇒ D85
o ⇒ D87

The gear unit motors are dimensioned directly in the dimension drawings.

- For gear units
- Attachment housings
 - As double gear units
 - With free drive shaft (W)
 - For mounting IEC standard motors (IEC)

the overall dimension must be added together from the individual dimension drawings.

General information regarding * and **

) With the versions W or IEC, AI if there are several values given for “” in the dimensional drawings, the value without brackets generally applies. The value listed in the following table must be added/subtracted for the respective gear- W or gear - IEC combinations..

Type	[mm]										
	W	IEC 100	IEC 112	IEC 132	AI 160	AI 180	AI 200	AI 225	AI 250	AI 280	AI 315
SK 82	16	-	-	-	-	-	-	-	16	16	-
SK 92	14	-	-	-	-	-	-	-	14	14	14
SK 93	0	-	-	-	-	-	-	-	14	14	-
SK 103	16	-	-	-	-	-	-	-	16	16	16
SK 8282	15	-	-	-	-	-	-	-	15	15	-
SK 9282	15	-	-	-	-	-	-	-	15	15	15
SK 9382	0	-	-	-	-	-	-	-	15	15	-
SK 10382.1	16	-	-	-	-	-	-	-	16	16	16
SK 11382.1	9	-	-	-	-	-	-	-	-	-	9
SK 9072.1	-18	-18	-18	-18	-18	-18	-18	-18	-	-	-
SK 9082.1	-20	-	-	-	-	-	-	-	-20	-20	8
SK 9086.1	-20	-	-	-	-	-	-	-	-20	-20	8
SK 9092.1	16	-	-	-	-	-	-	-	-16	-16	-11
SK 9096.1	0	-	-	-	-	-13	-13	-13	-	-	-

) With double gear units, if several values are stated for “” in the dimensional drawings, the value without brackets generally applies. The value listed in the following table must be added or subtracted for the respective double gear unit combination.

Type	[mm]
SK 63 / 22, 23	4
SK 73 / 22, 23	-22
SK 73 / 32	-22
SK 6382 / 22	4
SK 7382 / 22	-22
SK 7382 / 32	-22
SK 9092.1 / 52	16
SK 9096.1 / 62	-13
SK 9096.1 / 63	-13

Tolerances

Output and input shafts	Hollow shafts	Customer' shafts
Shaft tolerances - \varnothing (DIN 748) $\varnothing 14 - \varnothing 50 \text{ mm} = \text{ISO k6}$ $> \varnothing 50 \text{ mm} = \text{ISO m6}$	Hollow shaft tolerances $-\varnothing$ (DIN 748) according to ISO H7	Tolerance of customer's shaft journal as per ISO h6 with load classification "C" (see Table \Rightarrow A18) as per ISO k6
Threaded holes according to DIN 332, Sheet 2: $= \varnothing 7 - \varnothing 10 \Rightarrow \text{M3}$ $> \varnothing 10 - \varnothing 13 \Rightarrow \text{M4}$ $> \varnothing 13 - \varnothing 16 \Rightarrow \text{M5}$ $> \varnothing 16 - \varnothing 21 \Rightarrow \text{M6}$ $> \varnothing 21 - \varnothing 24 \Rightarrow \text{M8}$ $> \varnothing 24 - \varnothing 30 \Rightarrow \text{M10}$ $> \varnothing 30 - \varnothing 38 \Rightarrow \text{M12}$ $> \varnothing 38 - \varnothing 50 \Rightarrow \text{M16}$ $> \varnothing 50 - \varnothing 85 \Rightarrow \text{M20}$ $> \varnothing 85 - \varnothing 130 \Rightarrow \text{M24}$ $> \varnothing 130 - \varnothing 155 \Rightarrow \text{M30}$ $> \varnothing 155 - \varnothing 225 \Rightarrow \text{M36}$ $> \varnothing 225 - \varnothing 320 \Rightarrow \text{M48}$	Splined hub section DIN 5480 9H	
Parallel keys according to DIN 6885, sheets 1 and 3	Parallel keys according to DIN 6885, sheets 1 and 3	Parallel keys according to DIN 6885, sheets 1 and 3
* SK 9016.1 \Rightarrow E84 SK 9017.1 \Rightarrow E86	Hollow shaft with groove according to DIN 6885, sheet 3	
Frame size	Flanges	IEC and servo adapters
Shaft height "h" according to DIN 747	Tolerance of hole circle $-\varnothing$ (DIN 42 948)	Tolerance of hole circle $-\varnothing$ (DIN 42 948)
	Tolerance of flange centring $-\varnothing$ (DIN 42 948) $\leq \varnothing 230 \text{ mm}$ according to ISO j6 $> \varnothing 230 \text{ mm}$ according to ISO h6	Tolerance of flange centring according to ISO H7 ** IEC preferred series: Marked in blue in the dimension tables \Rightarrow B61-68
g1Bre kBre k1Bre k2Bre mBre nBre pBre qABre } Brake motor dimensions	Some motor dimensions may change under certain circumstances. Threads: The fastening thread for use by the customer in cast components (housing / IEC attachment adapter, servo, WO... WV / Motor brackets MK) is a standard thread in accordance with DIN 13-1.	The housings are made of cast materials. Due to the manufacturing process, the non-machined surfaces may therefore deviate slightly from the nominal dimensions.

Abbreviations in the power and selection tables

Abbreviations	Description	Unit
f_B	Operating factor ($M_{2\text{max}} / M_2$)	
$F_A^{1)}$	Permitted axial force on output side	[kN]
$F_R^{1)}$	Permitted radial load, force applied at the middle of the output shaft	[kN]
F_D	Pressure on rubber buffer	[N]
i_{ges}	Total speed ratio	
z_1	Number of worm threads	
z_2/z_1	Gear unit reduction ratio of worm gear unit	
i_1	Gear unit reduction ratio of helical gear unit	
M_2	Output torque	[Nm]
$M_{2\text{max}}$	Maximum permissible output torque	[Nm]
n_2	Output speed	[rpm]
P_1	Input power of gear unit	[kW]
$P_{1\text{max}}$	Maximum drive power	[kW]
VL	Reinforced bearings	
η	Efficiency	[%]
$\overset{\text{kg}}{\square}$	Total weight of the geared motor	[kg]
1)	If a "-" is shown in the tables, reinforced bearings are not possible.	

Standards, Regulations Nomenclature

Structure of the power and gear ratio tables for gear motor types

0.55 kW → Geared motor power

Nominal power of motor

Output speed at nominal motor speed

Output torque

Operating factor

Total speed ratio

Gear unit type

Dimensioned drawing:
see page

Weight

P_1 [kW]	n_2 [rpm]	M_2 [Nm]	f_B	i_{tot}	F_R [kN]	F_A [kN]	F_{RVL} [kN]	F_{AVL} [kN]		kg	mm
0.12	1.0	* 775	0.8	1305.66	5.4	9.0	8.5	25.0	SK 32/12 - 63 S/4	47	C74/C91
	1.2	618	1.0	1080.05	6.0	9.0	8.9	25.0			
	1.5	497	1.2	869.04	6.3	9.0	9.1	25.0			
⋮											
0.55	3.5	760	0.9	#402.90	6.1	9.0	11.6	12.0	SK 12080 - 80 SH/4	39	F38-39
	5.1	697	1.0	#276.92	7.0	9.0	12.1	12.0			
	6.1	477	1.5	234.60	9.0	9.0	13.0	12.0			
	7.6	395	1.7	187.17	9.5	9.0	13.0	12.0			

* Maximum output torque
for $f_B = 0.8$

valid for worm gear units
- Only available in version .Z or .F

Permissible radial force on output side
Normal bearings
The listed values for F_R
are calculated for $F_A = 0$

Permitted axial force on output side
Normal bearings
The listed values for F_A
are calculated for $F_R = 0$

Permitted axial force
on output side
Reinforced bearings
(Except for SK 9072.1, bevel
gear units are only available
in the foot mounted version).
The listed values for F_A
are calculated for $F_R = 0$

Permissible radial force
on output side
Reinforced bearings
(Except for SK 9072.1, bevel
gear units are only available
in the foot mounted version). The listed values
for F_R are calculated for $F_A = 0$

Structure of the power and gear ratio tables: Type W and type IEC

SK 9072.1 → Gear unit type

IEC motor sizes
IEC standard powers
according to
DIN EN 50347

Operating factors f_B with the IEC version are identical to the those of the same motor output with direct motor mounting. The f_B values are listed on the pages specified.

	i_{tot}	n_2 $n_1 = 1400\text{rpm}$ [rpm]	M_{2max} $f_B = 1$ [Nm]	W			IEC $f_B \Rightarrow$ E4 - E42									
				P_{1max}		$f_B \geq 1$	IEC 100	IEC 112	IEC 132	AI 160	AI 180	AI 200	AI 225			
				$n_1 = 1400\text{rpm}$	$n_1 = 930\text{rpm}$		$n_1 = 700\text{rpm}$	[kW]	[kW]	[kW]						
SK 9072.1	245.76 206.84 186.86 157.27	5.7 6.8 7.5 8.9	8500 8500 8500 8500	5.07 6.05 6.68 7.92	3.35 3.99 4.41 5.23	2.54 3.03 3.34 3.96			*							
⋮									*							
	10.19 9.16	137 153	4700 4700	45.00 45.00	29.70 29.70	22.50 22.50										

Gear unit type

Speed ratio

Output speed

Max. output torque
Type W with $f_B = 1$

max. drive power P_{1max}
Type W

Asterisk indicates:
Caution, do not exceed
the maximum drive
power P_{1max} according
to the Type W column

Italics mean:
with P_{1max} the oper-
ating factor is $f_B > 1$

Non italic indicates:
For P_{1max} the operating
factor
is $f_B = 1$

A coloured field means:
IEC resp. AI adapter is
available for this IEC motor
size and this reduction ratio

Standards, Regulations Nomenclature

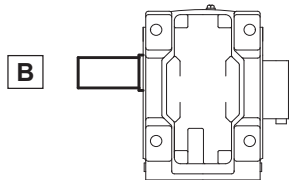
Position of the shafts, flanges, torque arms and shrink discs for angular gear units

For bevel gear units and helical worm gear units, the position of the output shaft, the B5 flange, the torque arm and the shrink disc are defined as follows:

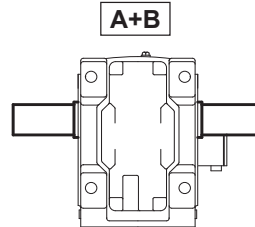
The definitions of sides A and B relate to the M1 version

For further details of versions M1 - M6 please refer to [A67](#)

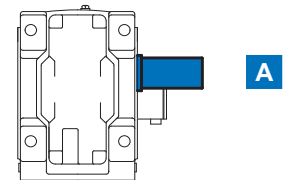
Output shaft at B



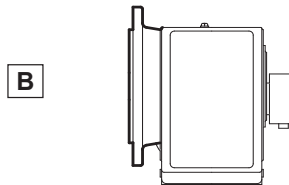
Output shaft at A and B



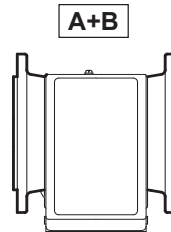
Output shaft at A
(standard version)



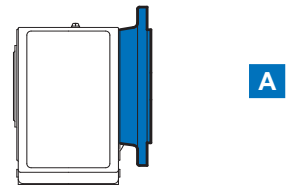
Flange at B



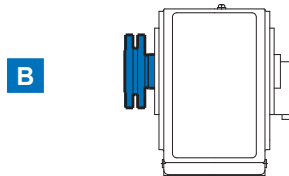
Flange at A and B



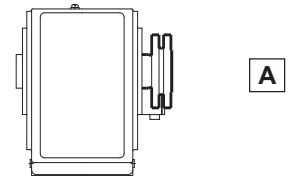
Flange at A
(standard version)



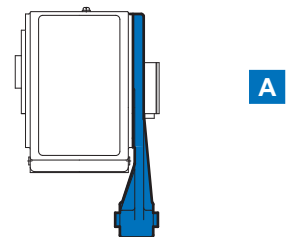
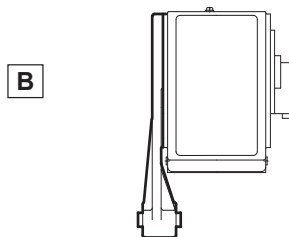
Shrink disc at B
(standard version)



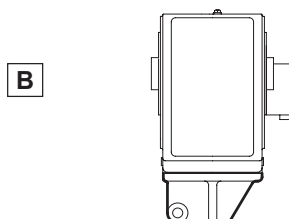
Shrink disc at A



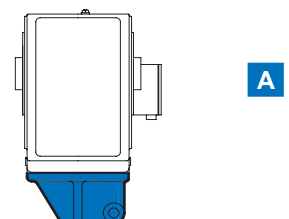
Torque arm at A
(standard version)



Torque bracket at B



Torque bracket at A
(standard version)



Terminal box and cable gland

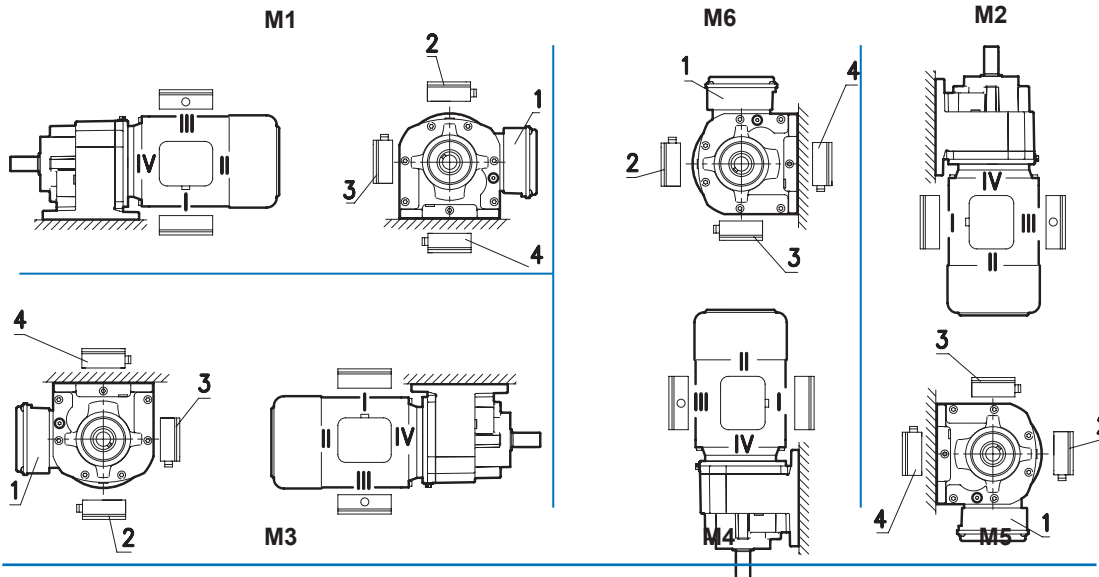
Terminal box at 1 and cable gland at I.

Standardversion

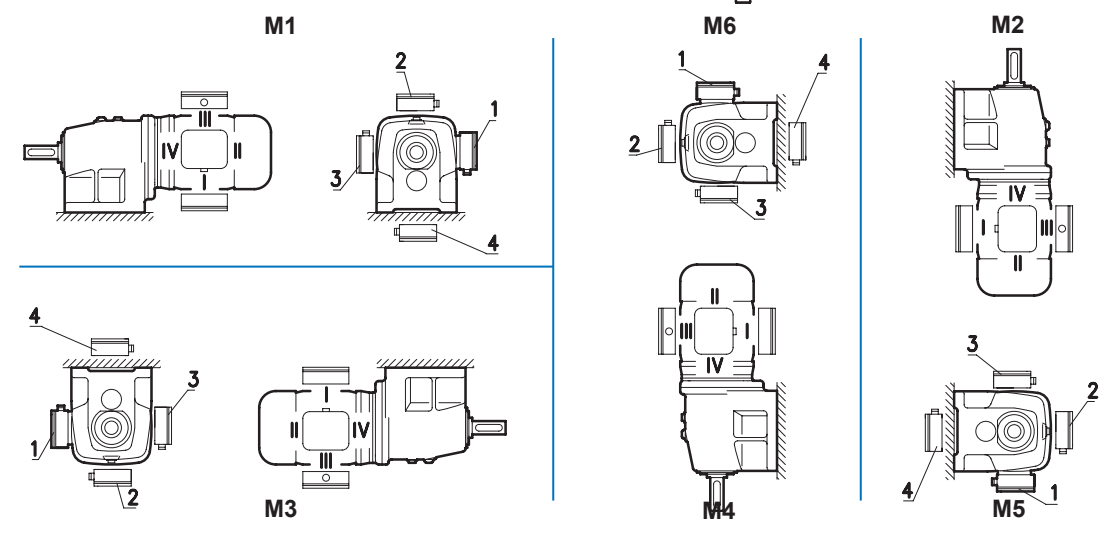
If a different configuration is required, please state this explicitly in the order. Please always enquire about the cable gland for IV.

For size 63 to 132 brake motors, the cable gland at I and III are standard.

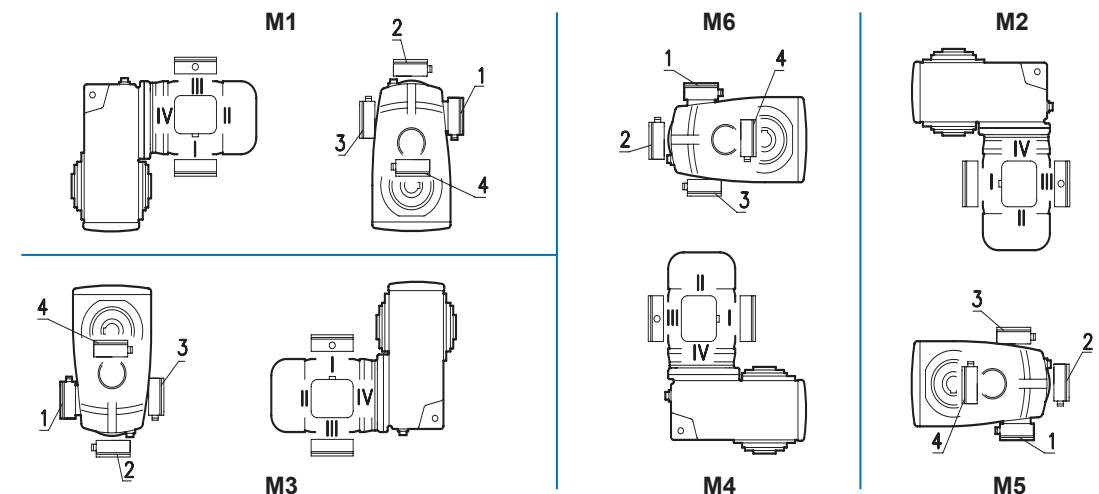
NORDBLOC.1
helical gear units



Helical gear units



Parallel shaft gear units



For further details of versions M1-M6 please refer to  A67

Standards, Regulations Nomenclature

Terminal boxes and cable glands

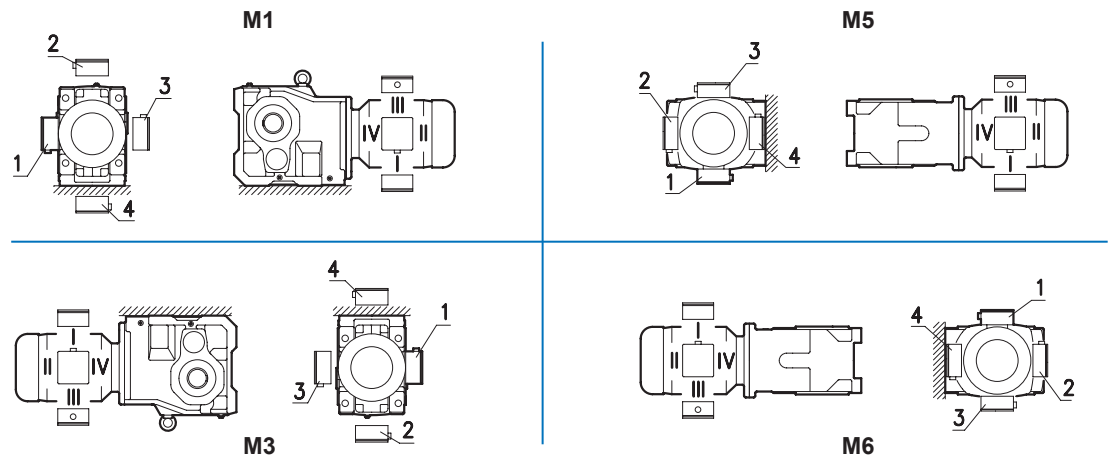
Standard version

Terminal box at 1 and cable gland at I.

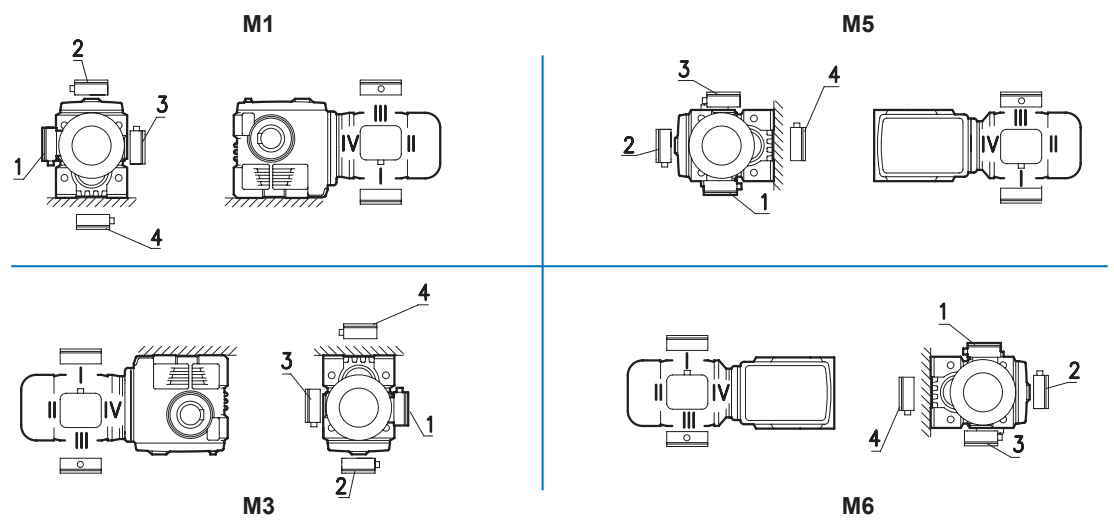
If a different configuration is required, please state this explicitly in the order. Please always enquire about the cable gland for IV.

For size 63 to 132 brake motors, the cable gland at I and III are standard.

Bevel gear units



Helical worm gear units



For further details of versions M1-M6 please refer to [A67](#)

Installation positions - nomenclature

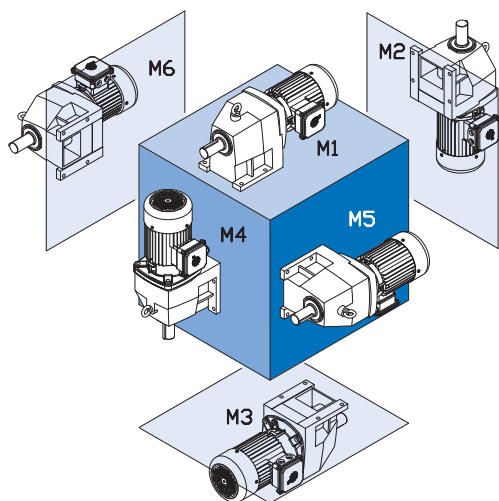
For gear units and geared motors, NORD specifies six installation positions from M1 to M6 as shown in the following diagrams. The relevant installation position must be stated when ordering.

Changes to the installation position require adjustment of the quantity of oil, and often other measures such as the installation of encapsulated roller bearings. Damage may result if the necessary measures are not observed. Tilted installation positions between the 6 basic positions are possible. Please contact us.

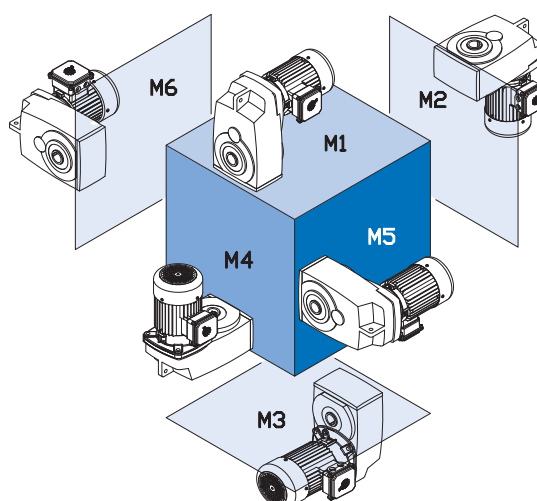
Installation positions
M1 - M6

Changes to
installation positions

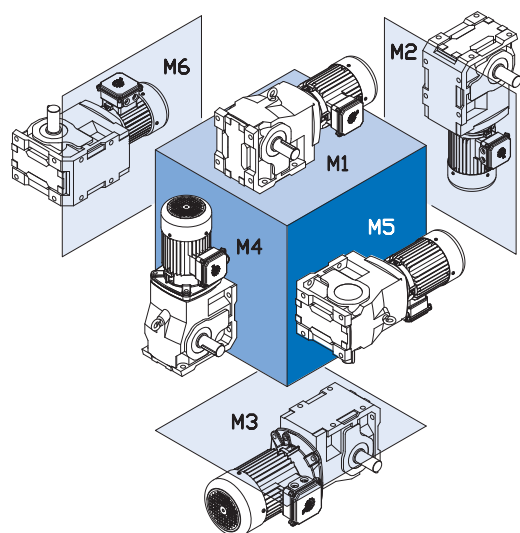
Helical gear units



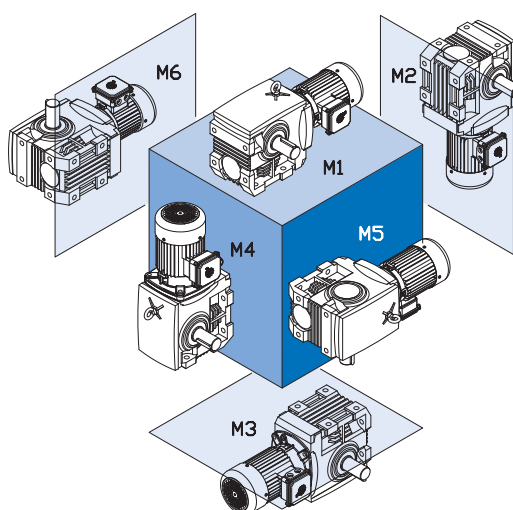
Parallel shaft gear units



Bevel gear unit



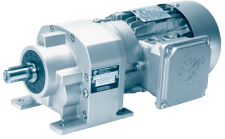
Helical worm gear units






The versions, with the position of the oil level plug, the vent plug and the oil drain plug can be found on ⇒ [A68](#)

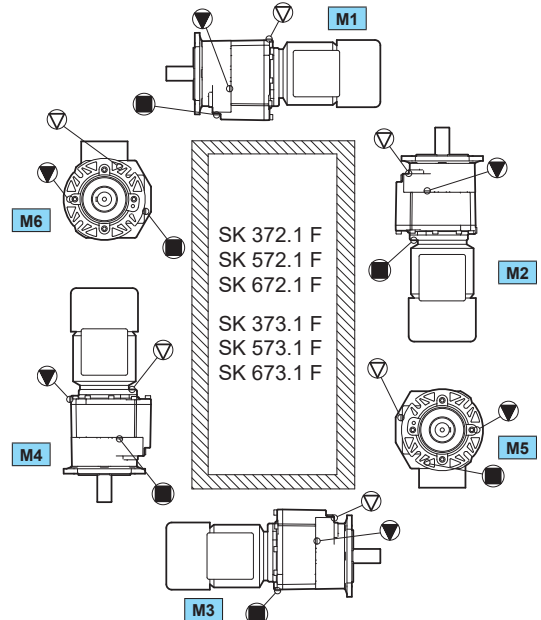
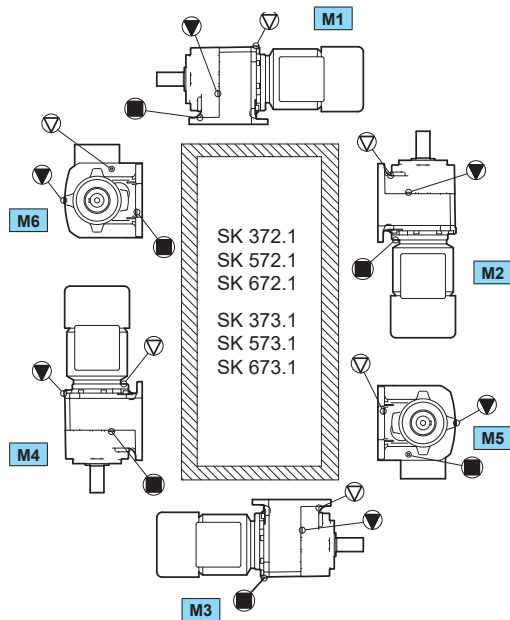
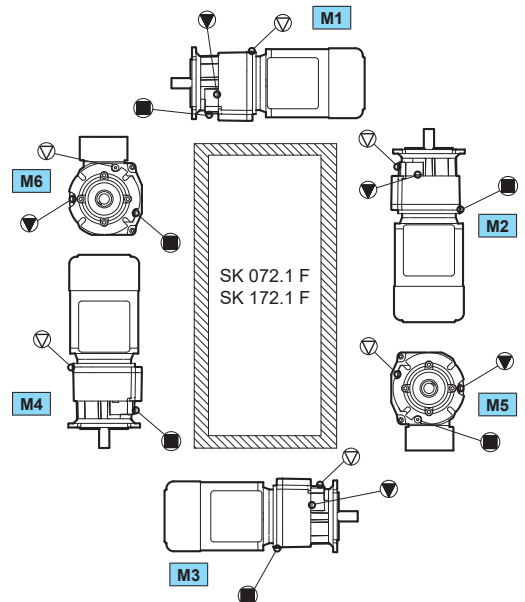
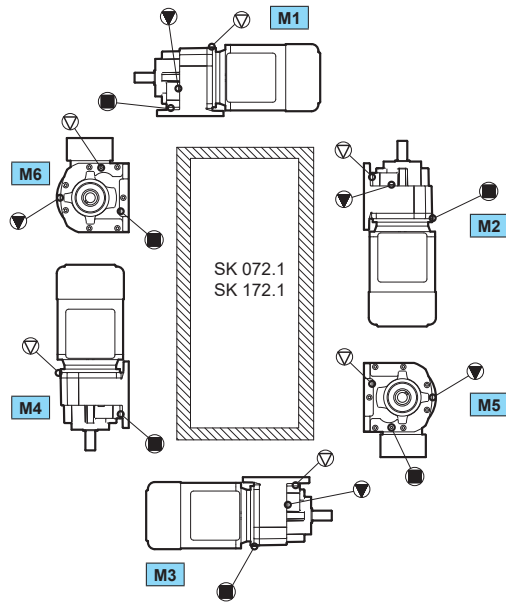
Standards, Regulations Nomenclature

NORDBLOC.1 helical gear units

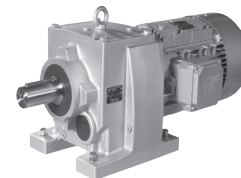


Symbols for oil screw plugs in the mounting positions

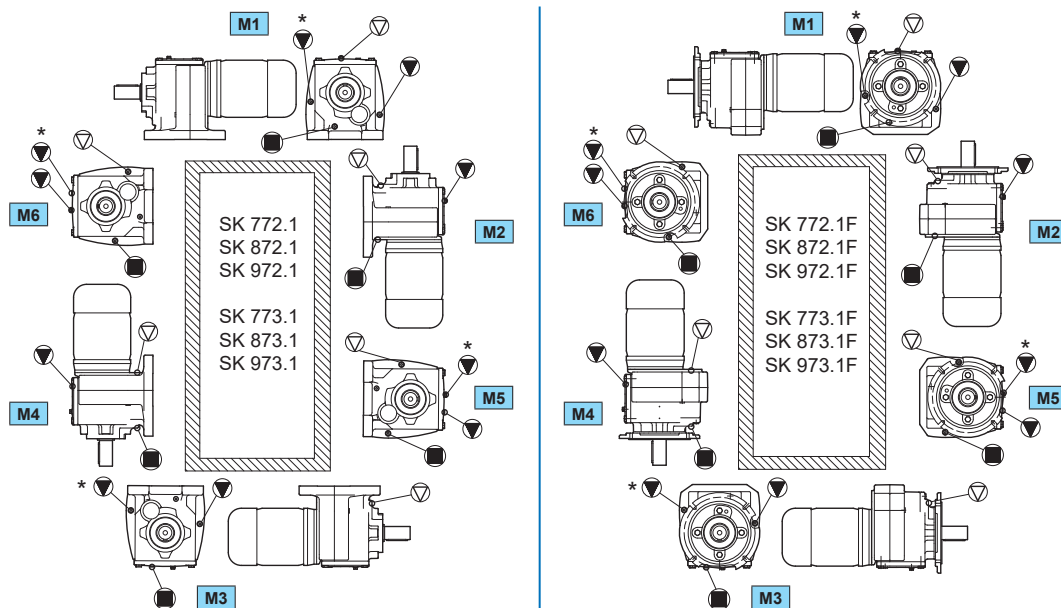
		
Venting	Oil level	Oil drain



NORDBLOC.1 helical gear units



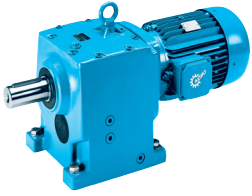
▽	▼	●
Venting	Oil level	Oil drain






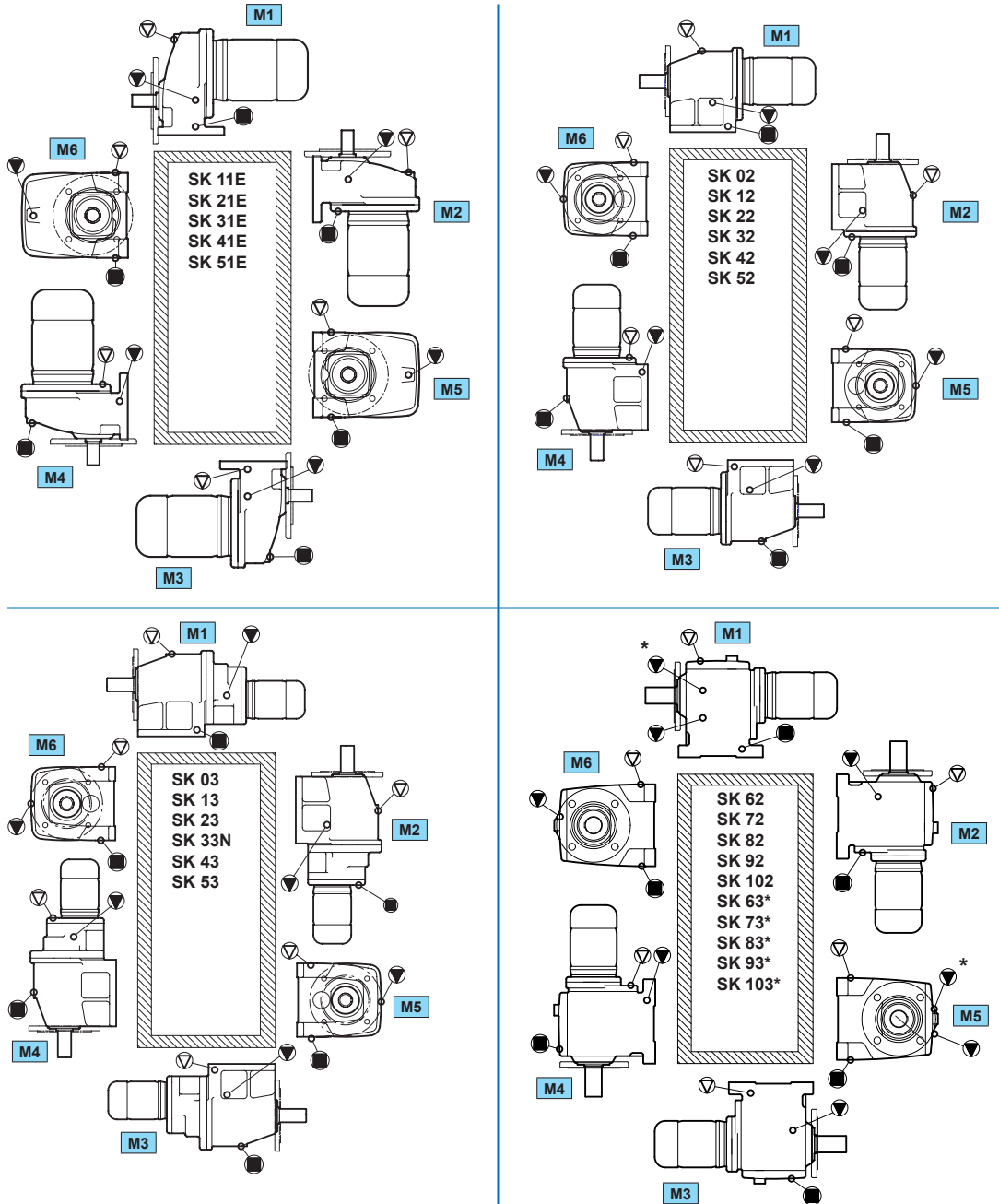
* SK 773.1(F) - SK 973.1(F)

Standards, Regulations Nomenclature

Helical gear units Symbols for oil screw plugs in the mounting positions






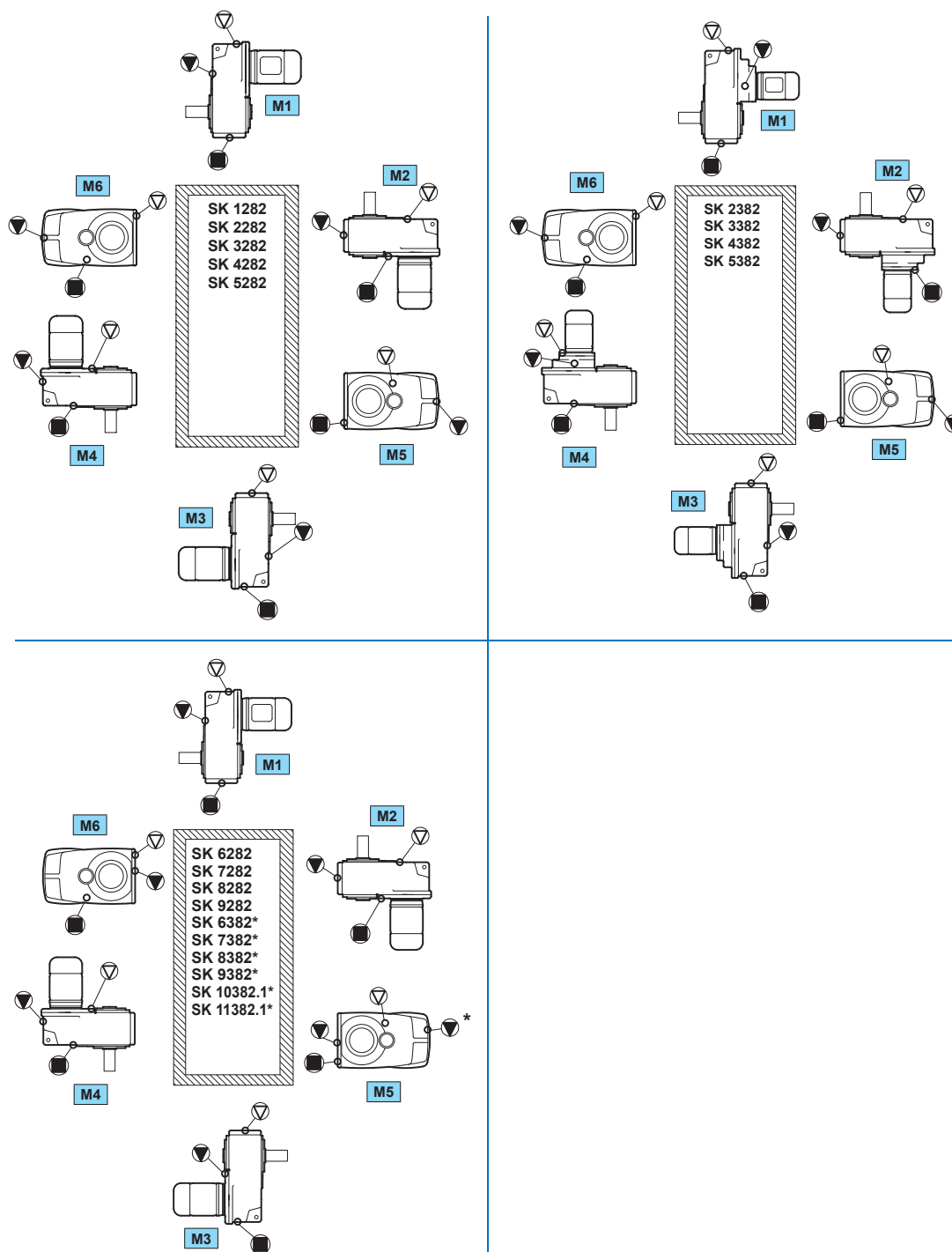
		
Venting	Oil level	Oil drain



Parallel shaft gear units



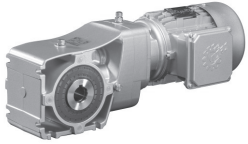
		
Venting	Oil level	Oil drain



Standards, Regulations Nomenclature

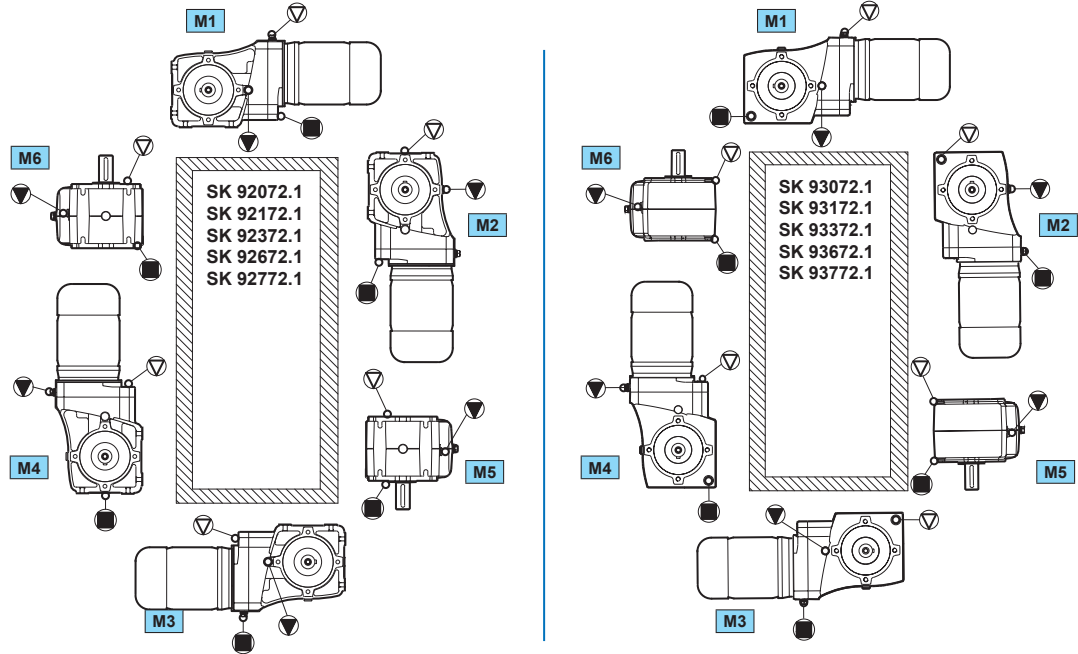
Bevel gear units

Symbols for oil screw plugs in the mounting positions



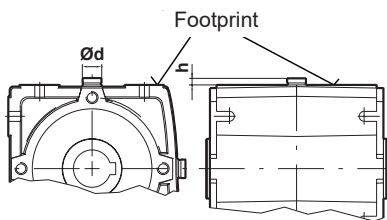
Vent	Oil level	Oil drain

Foot-mounted version

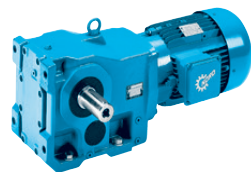


For the NORD gear unit series SK 92x72.1 it should be noted that for structural reasons, the shutter or venting screw can only be mounted on the side opposite to the motor and protrudes beyond the footprint.

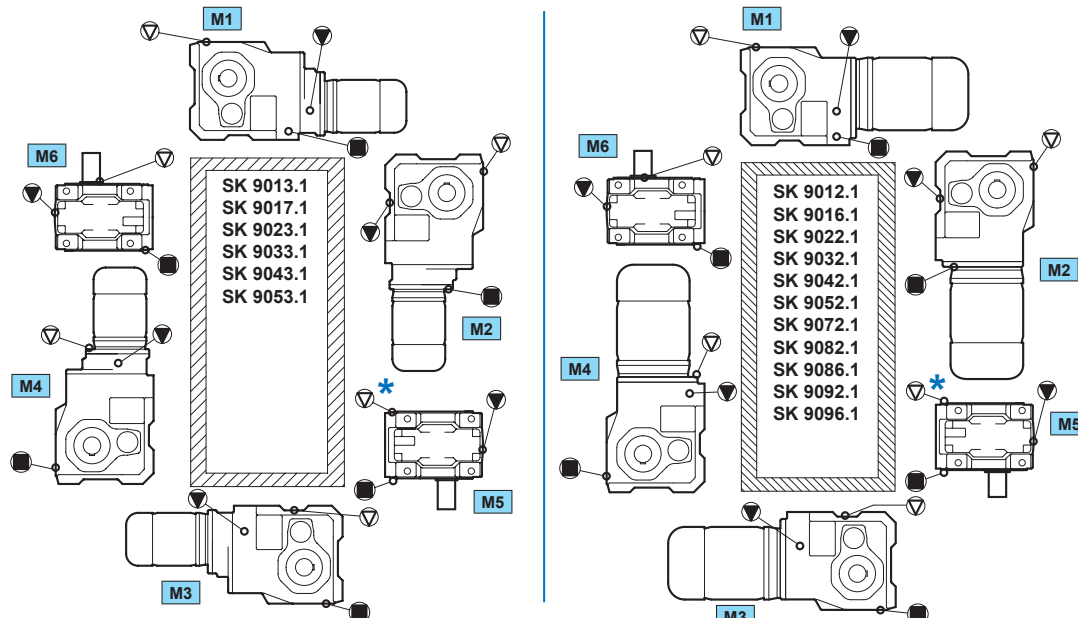
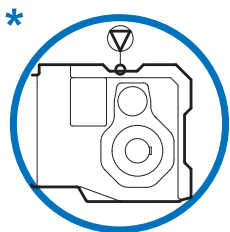
Refer to the table below for the required clearances $\varnothing d$ and h for the particular gear unit size. This should be considered for the customer's connection design.



Gear unit	shutter / venting screw	$\varnothing d$ [mm]	h [mm]
92072.1	M8 x 1,0	15	12
92172.1	M10 x 1,0	17	15
92372.1	M12 x 1,5	21	15
92672.1	M12 x 1,5	21	15
92772.1	M12 x 1,5	21	15



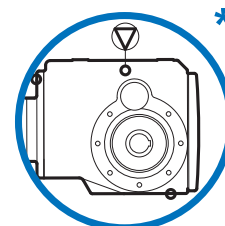
Foot-mounted version






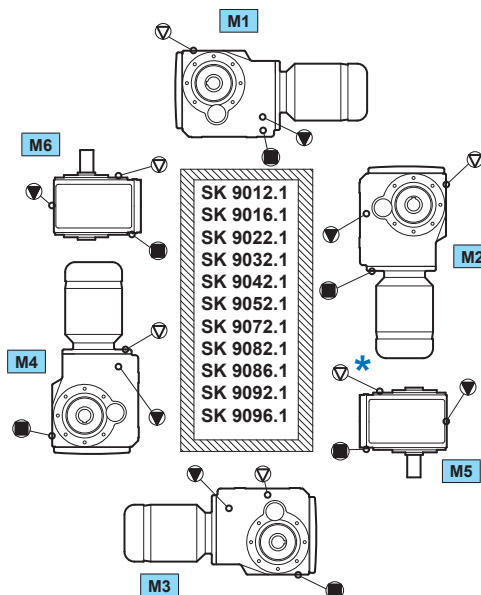
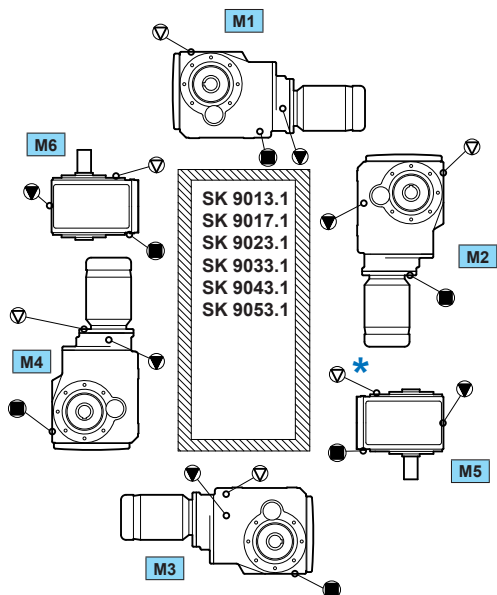
Bevel gear units



Push-on and
flange versions



		
Vent	Oil level	Oil drain

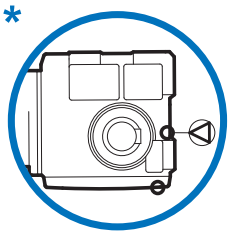


Standards, Regulations Nomenclature




Helical worm gear units

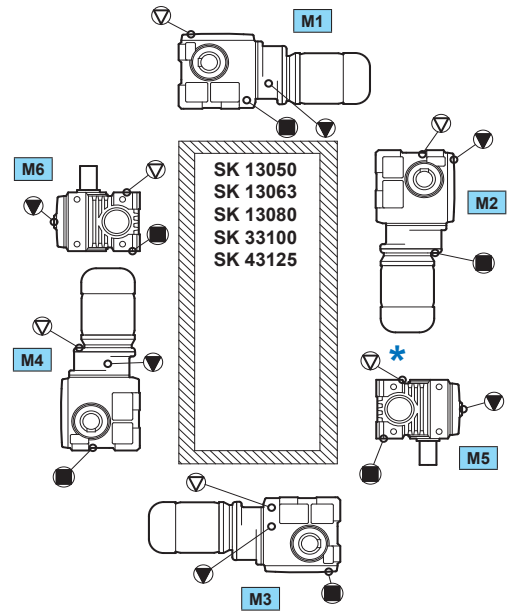
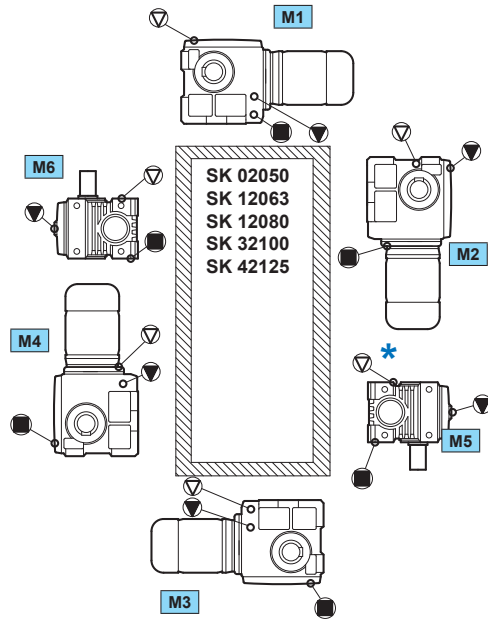


Foot-mounted version

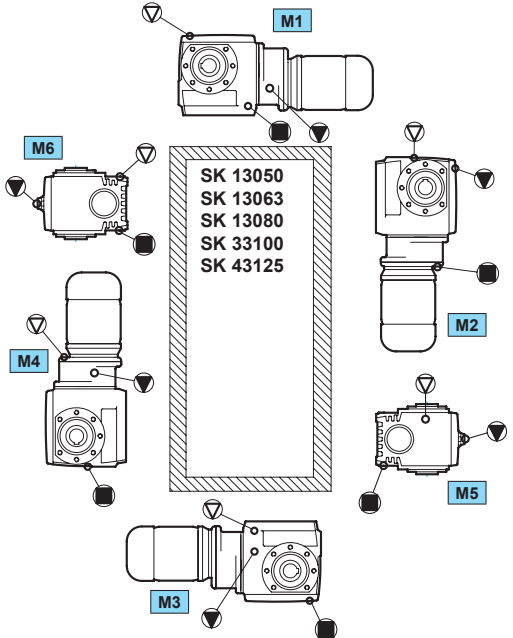
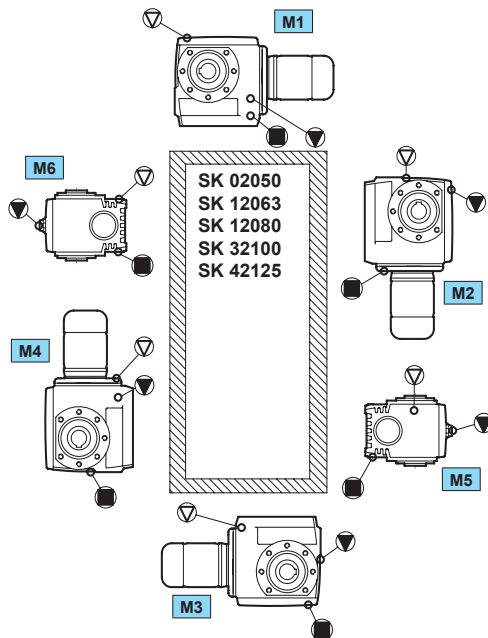


Symbols for oil screw plugs in the mounting positions

		
Vent	Oil level	Oil drain




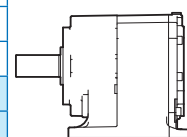
Push-on and flange versions




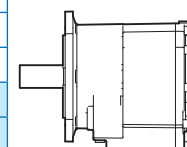


NORDBLOC.1 helical gear units

						Type
M1	M2	M3	M4	M5	M6	
0,16	0,32	0,21	0,23	0,18	0,20	SK 072.1
0,27	0,59	0,42	0,45	0,32	0,39	SK 172.1
0,45	1,05	0,75	1,00	0,60	0,65	SK 372.1
0,75	1,90	1,50	2,00	1,10	1,15	SK 572.1
1,10	2,60	2,15	2,70	1,55	1,65	SK 672.1
1,30	3,80	2,40	3,20	1,60	2,50	SK 772.1
2,90	7,80	4,60	6,40	2,50	4,00	SK 872.1
4,50	12,00	7,50	11,50	4,20	7,50	SK 972.1
2,00	3,80	2,40	3,20	1,60	2,50	SK 772.1 VL
5,00	7,80	4,60	6,40	2,50	4,00	SK 872.1 VL
8,50	12,00	7,50	11,50	4,20	7,50	SK 972.1 VL
0,45	1,05	0,75	1,00	0,60	0,65	SK 373.1
0,75	1,90	1,50	2,00	1,10	1,15	SK 573.1
1,10	2,60	2,15	2,70	1,55	1,65	SK 673.1
2,30	3,80	3,30	3,20	2,40	3,10	SK 773.1
4,20	7,80	5,90	6,40	4,10	5,90	SK 873.1
7,50	12,00	10,50	11,50	7,50	10,50	SK 973.1
2,30	3,80	3,30	3,20	2,40	3,10	SK 773.1 VL
4,20	7,80	5,90	6,40	4,10	5,90	SK 873.1 VL
7,50	12,00	10,50	11,50	7,50	10,50	SK 973.1 VL

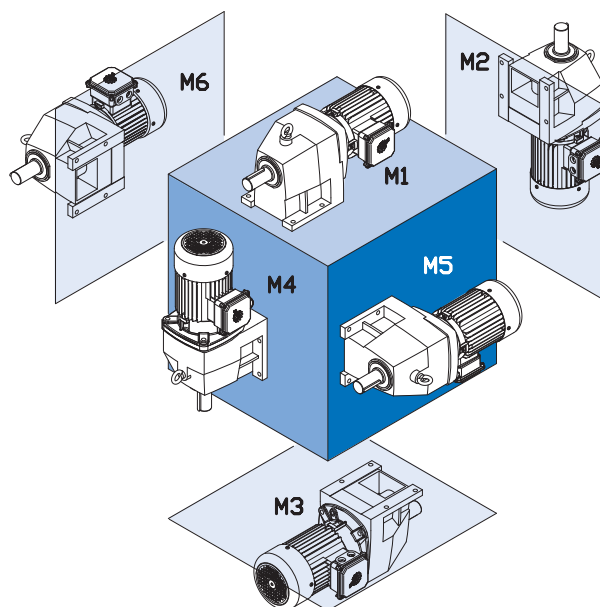


						Type
M1	M2	M3	M4	M5	M6	
0,16	0,32	0,21	0,23	0,18	0,20	SK 072.1 F
0,27	0,59	0,42	0,45	0,32	0,39	SK 172.1 F
0,45	1,05	0,75	1,00	0,60	0,65	SK 372.1 F
0,75	1,90	1,50	2,00	1,10	1,15	SK 572.1 F
1,10	2,60	2,15	2,70	1,55	1,65	SK 672.1 F
1,30	3,80	2,40	3,30	1,70	2,40	SK 772.1 F
3,20	7,50	5,10	6,70	2,60	4,30	SK 872.1 F
4,50	12,50	8,00	12,50	4,50	7,70	SK 972.1 F
2,00	3,80	2,40	3,30	1,70	2,40	SK 772.1 VL F
5,00	7,50	5,10	6,70	2,60	4,30	SK 872.1 VL F
8,50	12,50	8,00	12,50	4,50	7,70	SK 972.1 VL F
0,45	1,05	0,75	1,00	0,60	0,65	SK 373.1 F
0,75	1,90	1,50	2,00	1,10	1,15	SK 573.1 F
1,10	2,60	2,15	2,70	1,55	1,65	SK 673.1 F
2,00	3,50	3,20	2,90	2,30	3,00	SK 773.1 F
4,10	7,60	6,90	6,60	5,00	6,60	SK 873.1 F
7,40	12,20	11,10	11,60	8,00	10,90	SK 973.1 F
2,00	3,50	3,20	2,90	2,30	3,00	SK 773.1 VL F
4,10	7,60	6,90	6,60	5,00	6,60	SK 873.1 VL F
7,40	12,20	11,10	11,60	8,00	10,90	SK 973.1 VL F

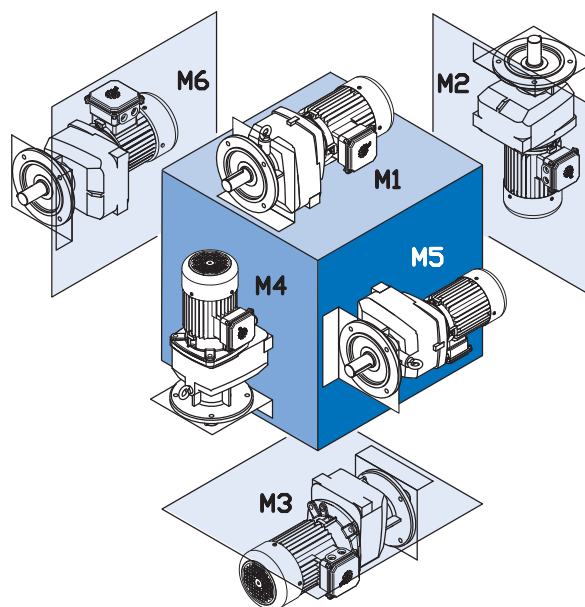





Helical gear units



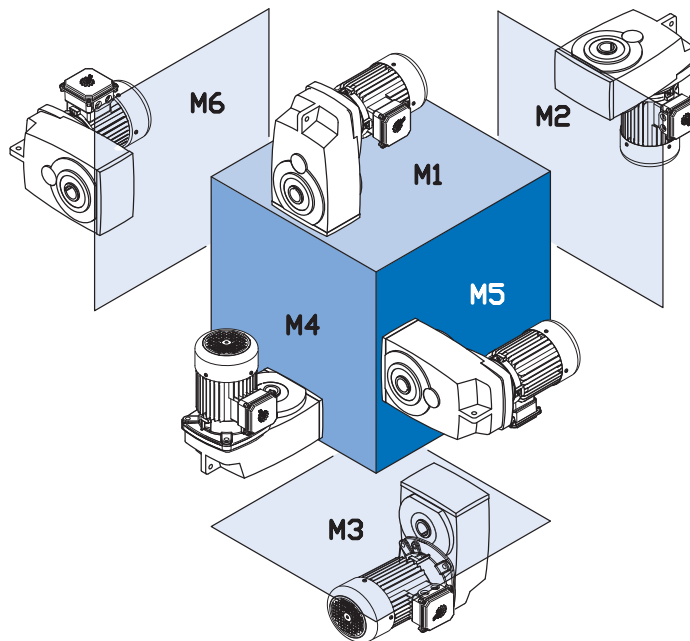
Type	[L]						
	M1	M2	M3	M4	M5	M6	
	SK 11E	0,25	0,50	0,65	0,50	0,40	0,40
	SK 21E	0,60	1,20	1,30	1,00	1,00	1,00
	SK 31E	1,10	2,00	2,20	1,70	1,50	1,50
	SK 41E	1,60	2,60	3,30	2,80	2,30	2,30
	SK 51E	1,80	3,50	4,10	4,00	3,80	3,80
	SK 02	0,20	0,75	0,75	0,65	0,60	0,60
	SK 12	0,25	0,80	0,85	0,75	0,55	0,55
	SK 22	0,50	1,90	2,10	1,80	1,40	1,40
	SK 32	0,90	2,50	3,10	3,10	2,00	2,00
	SK 42	1,40	4,50	4,50	4,30	3,20	3,20
	SK 52	2,50	7,00	6,80	6,80	5,10	5,10
	SK 62	6,50	15,00	13,00	16,00	15,00	15,00
	SK 72	10,00	23,00	18,00	26,00	23,00	23,00
	SK 82	14,00	35,00	27,00	44,00	32,00	32,00
	SK 92	25,00	73,00	47,00	76,00	52,00	52,00
	SK 102	36,00	79,00	66,00	102,00	71,00	71,00
	SK 03	0,35	1,20	0,80	1,00	0,70	0,70
	SK 13	0,75	1,30	1,30	1,20	0,75	0,75
	SK 23	1,20	2,00	1,90	2,40	1,60	1,60
	SK 33N	1,75	3,00	3,40	4,00	2,30	2,30
	SK 43	3,00	5,60	5,20	6,60	3,60	3,60
	SK 53	4,50	8,70	7,70	8,70	6,00	6,00
	SK 63	13,00	14,50	14,50	16,00	13,00	13,00
	SK 73	20,50	20,00	22,50	27,00	20,00	20,00
	SK 83	30,00	31,00	34,00	37,00	33,00	33,00
SK 93	53,00	70,00	59,00	72,00	49,00	49,00	
SK 103	74,00	71,00	74,00	97,00	67,00	67,00	


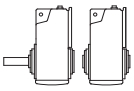
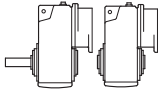
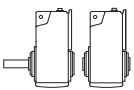
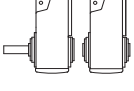



						Type
M1	M2	M3	M4	M5	M6	
0,30	0,50	0,50	0,45	0,40	0,40	SK 11EF
0,50	1,20	1,30	0,60	0,90	0,90	SK 21EF
0,90	1,80	1,65	1,30	1,25	1,25	SK 31EF
1,20	2,30	2,70	2,00	1,90	1,90	SK 41EF
1,80	3,50	4,10	3,00	3,80	3,80	SK 51EF
0,25	0,70	0,70	0,70	0,50	0,50	SK 02F
0,35	0,85	0,90	0,90	0,70	0,70	SK 12F
0,70	1,80	1,80	1,80	1,40	1,40	SK 22F
1,20	2,80	3,10	3,10	2,20	2,20	SK 32F
1,80	4,40	4,50	4,00	3,70	3,70	SK 42F
3,00	6,80	6,20	7,40	5,60	5,60	SK 52F
7,00	15,00	14,00	18,50	16,00	16,00	SK 62F
10,00	23,00	18,50	28,00	23,00	23,00	SK 72F
15,00	37,00	29,00	45,00	34,50	34,50	SK 82F
26,00	73,00	47,00	78,00	52,00	52,00	SK 92F
40,00	81,00	66,00	104,00	72,00	72,00	SK 102F
0,55	0,95	0,90	1,20	0,90	0,90	SK 03F
1,00	1,30	1,30	1,20	1,00	1,00	SK 13F
1,40	2,60	2,30	2,80	2,80	2,80	SK 23F
2,20	3,00	3,40	4,20	2,30	2,30	SK 33NF
3,50	5,70	5,00	6,10	4,10	4,10	SK 43F
5,20	8,40	7,00	8,90	6,70	6,70	SK 53F
13,50	14,00	15,50	18,00	14,00	14,00	SK 63F
22,00	22,50	23,00	27,50	20,00	20,00	SK 73F
31,00	34,00	35,00	40,00	34,00	34,00	SK 83F
53,00	70,00	59,00	74,00	49,00	49,00	SK 93F
69,00	78,00	78,00	99,00	67,00	67,00	SK 103F

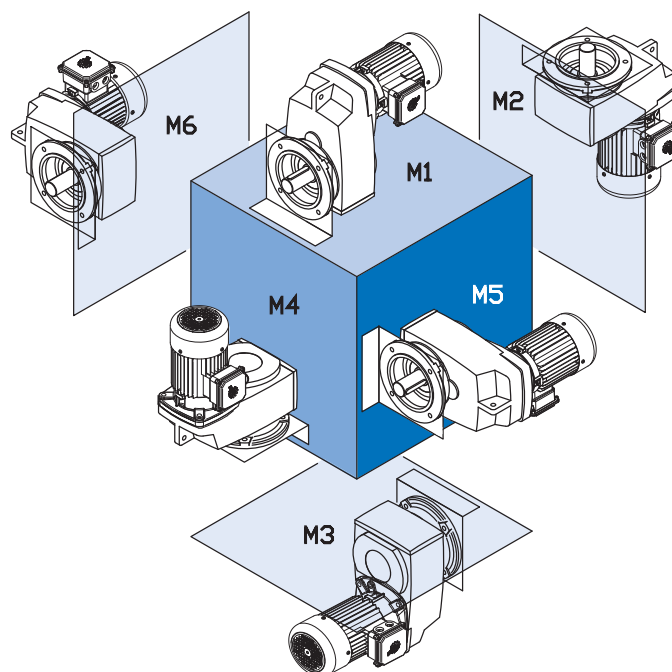



Parallel shaft gear units

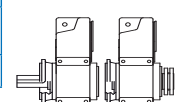
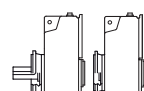
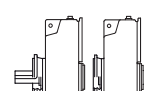
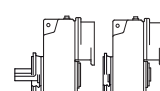
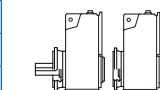


Type	 [L]						
	M1	M2	M3	M4	M5	M6	
	SK 1282	0,95	1,30	0,90	1,30	1,00	1,00
	SK 2282	1,70	2,30	1,70	2,20	1,90	1,90
	SK 3282	2,80	4,00	3,30	3,80	3,00	3,00
	SK 4282	4,20	5,40	4,40	5,00	4,20	4,20
	SK 5282	7,50	8,80	7,50	8,80	7,20	7,20
	SK 2382	2,30	2,70	2,10	3,20	2,00	2,00
	SK 3382	3,80	4,30	3,00	5,50	3,00	3,00
	SK 4382	6,10	6,90	4,90	8,40	5,00	5,00
	SK 5382	12,50	12,00	6,70	14,00	8,30	8,30
	SK 1382	1,45	1,60	1,15	1,70	1,10	1,10
	SK 6282	17,00	15,50	12,50	17,50	11,00	14,00
	SK 7282	25,50	21,00	20,50	27,00	16,00	21,00
	SK 8282	37,50	33,00	30,50	44,00	31,00	31,00
	SK 9282	74,50	70,00	56,00	80,00	65,00	59,00
	SK 6382	16,00	13,00	10,00	18,00	14,00	12,50
	SK 7382	22,00	21,00	16,00	25,00	23,00	22,00
	SK 8382	34,50	32,50	25,00	38,00	35,00	30,00
	SK 9382	73,50	70,00	43,00	74,50	65,00	60,00
	SK 10382.1	76,00	80,00	71,00	92,50	71,50	66,50
	SK 11382.1 *	127,00	133,00	118,00	194,00	124,00	112,00

* → A51

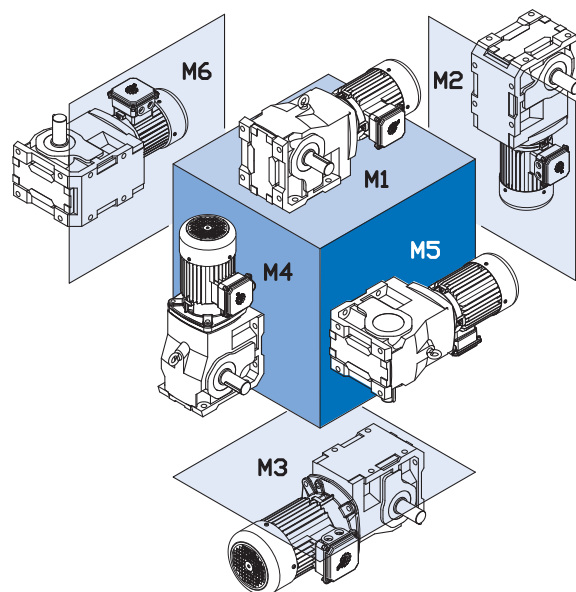


 [L]						Type
M1	M2	M3	M4	M5	M6	
0,95	1,30	0,90	1,30	1,00	1,00	SK 1282.F
1,70	2,30	1,70	2,20	1,90	1,90	SK 2282.F
2,80	4,00	3,30	3,80	3,00	3,00	SK 3282.F
4,20	5,40	4,40	5,00	4,20	4,20	SK 4282.F
7,50	8,80	7,50	8,80	7,20	7,20	SK 5282.F
2,30	2,70	2,10	3,20	2,00	2,00	SK 2382.F
3,80	4,30	3,00	5,50	3,00	3,00	SK 3382.F
6,10	6,90	4,90	8,40	5,00	5,00	SK 4382.F
12,50	12,00	6,70	14,00	8,30	8,30	SK 5382.F
1,45	1,60	1,15	1,70	1,10	1,10	SK 1382.F
17,00	15,50	12,50	17,50	11,00	14,00	SK 6282.F
25,50	21,00	20,50	27,00	16,00	21,00	SK 7282.F
37,50	33,00	30,50	44,00	31,00	31,00	SK 8282.F
74,50	70,00	56,00	80,00	65,00	59,00	SK 9282.F
16,00	13,00	10,00	18,00	14,00	12,50	SK 6382.F
22,00	21,00	16,00	25,00	23,00	22,00	SK 7382.F
34,50	32,50	25,00	38,00	35,00	30,00	SK 8382.F
73,50	70,00	43,00	74,50	65,00	60,00	SK 9382.F
76,00	80,00	71,00	92,50	71,50	66,50	SK 10382.1.F
127,00	133,00	118,00	194,00	124,00	112,00	SK 11382.1.F *


 * ⇨  A51

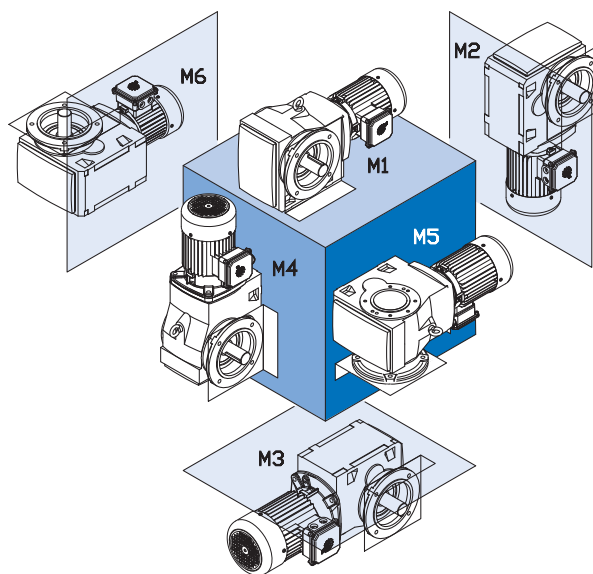



Bevel gear units

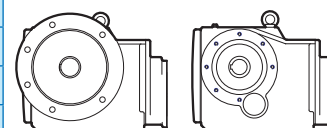
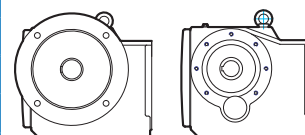
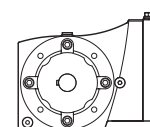
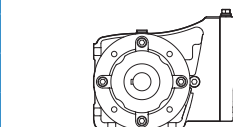


Type	 [L]						
	M1	M2	M3	M4	M5	M6	
	SK 92072.1	0,26	0,49	0,42	0,54	0,29	0,31
	SK 92172.1	0,34	0,61	0,52	0,67	0,42	0,48
	SK 92372.1	0,43	0,92	0,73	0,83	0,55	0,61
	SK 92672.1	0,85	1,60	1,20	1,50	1,02	1,02
	SK 92772.1	1,30	2,65	1,86	2,70	1,60	1,60
	SK 93072.1	0,39	0,93	0,79	1,02	0,49	0,62
	SK 93172.1	0,60	1,17	0,94	1,22	0,65	0,85
	SK 93372.1	1,00	1,97	1,65	2,14	1,12	1,34
	SK 93672.1	1,80	3,23	2,71	3,80	2,02	2,45
	SK 93772.1	2,72	4,63	3,70	5,80	2,93	3,25
	SK 9012.1	0,70	1,70	1,90	2,10	1,10	1,50
	SK 9016.1	0,70	1,70	1,90	2,10	1,10	1,50
	SK 9022.1	1,30	2,90	3,30	3,80	1,70	2,80
	SK 9032.1	1,80	5,40	6,10	6,80	3,00	4,60
	SK 9042.1	4,40	9,00	10,00	10,70	5,20	7,70
	SK 9052.1	6,50	16,00	19,00	21,50	11,00	15,50
	SK 9072.1	10,00	27,50	32,00	36,00	18,00	24,00
	SK 9082.1	17,00	51,50	62,50	71,50	33,00	46,50
	SK 9086.1	29,00	73,00	85,00	102,00	48,00	62,00
	SK 9092.1	41,00	157,00	170,00	172,00	80,00	90,00
	SK 9096.1*	70,00	187,00	194,00	254,00	109,00	152,00
	SK 9013.1	1,35	2,10	2,15	2,75	1,00	1,80
	SK 9017.1	1,30	2,00	2,10	2,70	1,00	1,70
	SK 9023.1	2,20	3,20	3,60	4,70	2,20	2,90
	SK 9033.1	3,10	5,70	6,30	8,00	3,40	4,80
	SK 9043.1	5,00	10,10	11,00	13,30	5,70	8,10
	SK 9053.1	10,00	17,00	20,00	24,50	11,50	16,50

* ⇒ A51

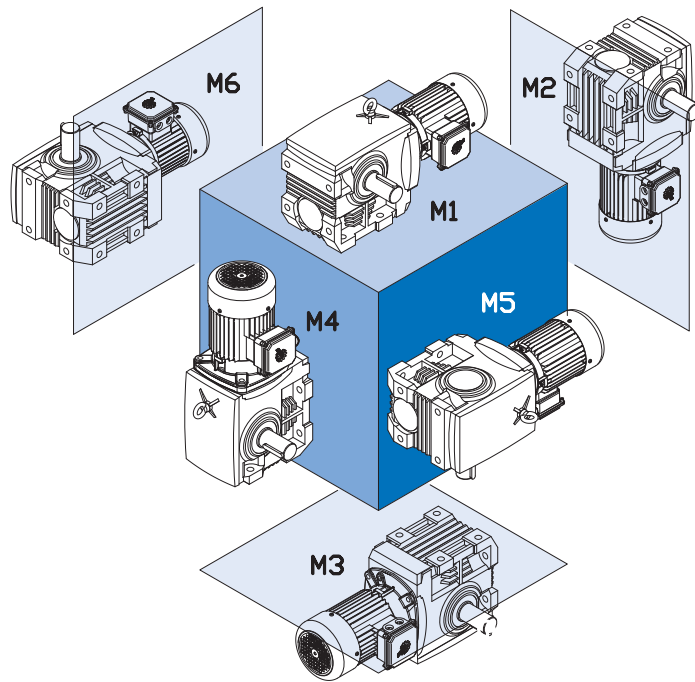



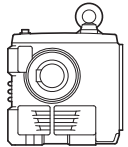
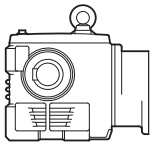
 [L]						Type
M1	M2	M3	M4	M5	M6	
0,26	0,49	0,42	0,54	0,29	0,31	SK 92072.1
0,34	0,61	0,52	0,67	0,42	0,48	SK 92172.1
0,43	0,92	0,73	0,83	0,55	0,61	SK 92372.1
0,85	1,60	1,20	1,50	1,02	1,02	SK 92672.1
1,30	2,65	1,86	2,70	1,60	1,60	SK 92772.1
0,39	0,93	0,79	1,02	0,49	0,62	SK 93072.1
0,60	1,17	0,94	1,22	0,65	0,85	SK 93172.1
1,00	1,97	1,65	2,14	1,12	1,34	SK 93372.1
1,80	3,23	2,71	3,80	2,02	2,45	SK 93672.1
2,72	4,63	3,70	5,80	2,93	3,25	SK 93772.1
1,00	1,90	1,90	2,20	1,20	1,70	SK 9012.1
1,00	1,90	1,90	2,20	1,20	1,70	SK 9016.1
1,60	3,50	3,50	4,20	2,30	2,80	SK 9022.1
2,10	4,80	6,40	7,10	3,30	5,10	SK 9032.1
4,50	10,00	10,00	11,50	6,50	8,20	SK 9042.1
7,50	16,50	20,00	23,50	11,50	18,00	SK 9052.1
12,00	27,50	33,00	38,50	19,00	26,00	SK 9072.1
21,00	54,00	66,00	80,00	38,00	52,00	SK 9082.1
36,00	78,00	91,00	107,00	53,00	76,00	SK 9086.1
40,00	130,00	154,00	175,00	82,00	91,00	SK 9092.1
80,00	187,00	193,00	257,00	113,00	156,00	SK 9096.1*
1,45	2,30	2,10	2,80	1,05	1,80	SK 9013.1
1,45	2,30	2,10	2,80	1,05	1,80	SK 9017.1
2,30	3,50	3,80	5,30	2,20	3,40	SK 9023.1
3,70	5,70	6,70	8,30	3,60	5,30	SK 9033.1
6,50	10,50	11,90	14,70	6,70	9,30	SK 9043.1
13,00	18,00	21,50	26,50	13,00	17,00	SK 9053.1

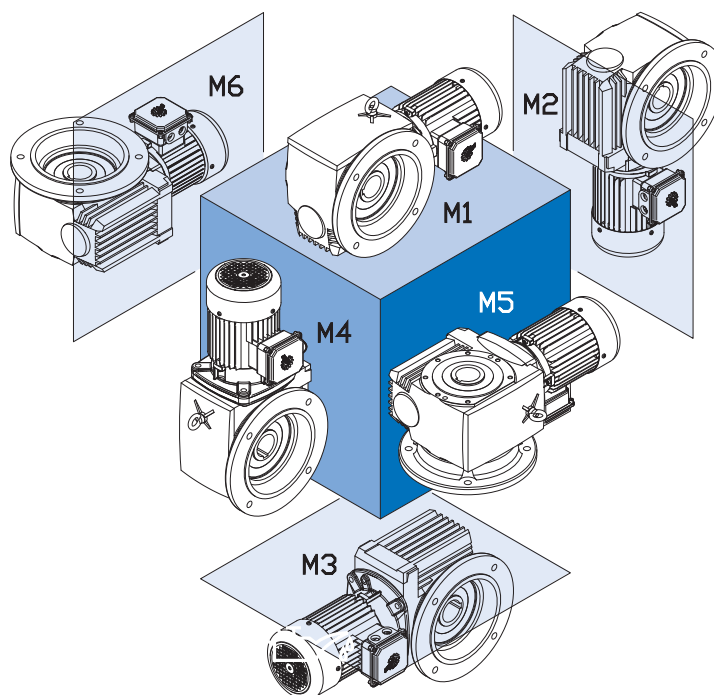

 * ⇨  A51




Helical worm gear units



Type	 [L]						
	M1	M2	M3	M4	M5	M6	
	SK 02050	0,40	1,40	1,10	1,30	0,70	0,70
	SK 12063	0,60	1,80	1,20	1,60	1,00	1,00
	SK 12080	0,90	3,10	2,40	3,00	1,80	1,80
	SK 32100	1,50	6,30	5,60	5,50	3,60	3,60
	SK 42125	2,80	11,80	10,20	10,00	6,20	6,20
	SK 13050	0,75	1,75	1,30	1,75	0,75	0,75
	SK 13063	1,00	2,30	1,50	2,20	1,10	1,10
	SK 13080	1,70	3,50	3,50	3,50	2,00	2,00
	SK 33100	2,40	6,40	5,40	6,50	3,40	3,40
	SK 43125	4,25	13,00	10,50	13,50	7,20	7,20



 [L]						Type
M1	M2	M3	M4	M5	M6	
0,40	1,50	1,25	1,20	0,90	0,75	SK 02050F
0,50	1,95	1,70	1,75	1,20	0,95	SK 12063F
0,90	3,70	3,20	3,40	2,50	2,30	SK 12080F
1,40	6,30	6,10	6,10	4,00	3,60	SK 32100F
3,00	11,50	11,50	11,00	8,40	7,30	SK 42125F
0,45	1,40	1,15	1,10	0,75	0,75	SK 02050A
0,55	1,45	1,60	1,60	1,10	1,10	SK 12063A
0,80	3,10	3,20	2,80	1,80	1,80	SK 12080A
1,50	5,60	5,60	5,30	4,00	4,00	SK 32100A
3,00	12,50	10,80	10,80	6,50	6,50	SK 42125A
0,75	1,80	1,50	1,70	1,05	0,90	SK 13050F
1,00	2,30	1,90	2,20	1,35	1,10	SK 13063F
1,60	3,80	3,50	3,90	2,70	2,50	SK 13080F
2,65	7,20	6,40	7,60	4,30	3,80	SK 33100F
4,70	15,00	13,00	16,00	9,00	7,70	SK 43125F
0,90	1,80	1,30	1,65	1,30	1,30	SK 13050A
1,05	2,10	1,80	2,10	1,40	1,40	SK 13063A
1,60	3,60	2,90	3,75	2,00	2,00	SK 13080A
2,60	6,00	5,80	6,50	3,50	3,50	SK 33100A
4,60	13,60	11,40	14,30	7,60	7,60	SK 43125A

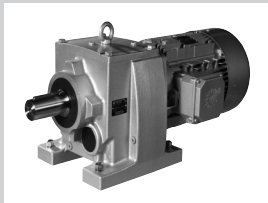
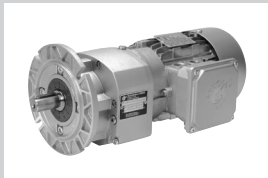
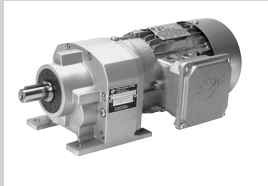
Painting

Coating / Field of Application	Class**	Structure	Coating Thickness*
Basic Basic+ Indoor installation. <i>Previously F2</i>	C2		50 - 90 µm
NORD Severe Duty 2 NORD Severe Duty 2+ Indoor installation and protected outdoor installation (i.e. open, unheated halls). <i>Previously F3.0</i>	C2		110 - 150 µm
NORD Severe Duty 3 NORD Severe Duty 3+ Outdoor installation, city, and industrial atmosphere with low contamination. <i>Previously F3.1</i>	C3		160 - 200 µm
NORD Severe Chem Duty 3 Normal chemical contamination. <i>Previously F3.4</i>	C3		100 - 140 µm
NORD Severe Food Duty 3 NORD Severe Food Duty 3+ Food packaging areas. <i>Previously F3.5</i>	C3		100 - 140 µm
NORD Severe Duty 4 NORD Severe Duty 4+ Outdoor installation, city, and industrial atmosphere with moderate contamination. <i>Previously F3.2</i>	C4		220 - 260 µm
NORD Severe Duty 5 NORD Severe Duty 5+ Outdoor installation, city, and industrial atmosphere with high contamination. <i>Previously F3.3</i>	C5		200 - 240 µm

A	Optional clear lacquer coating (+ versions) Coating Thickness + 25 µm	T	2-Component Polyurethane Top Coat
		E	2-Component EP Zinc Phosphate Primer
Z	Levelling of contour recesses and gaps with polyurethane-based sealant possible for NSD2, NSD3 and NSD4 Included in NSD5	P	2-Component Polyurethane Primer
		D	Single Component Dip Primer (for cast-iron units only)

** Comparable to DIN EN ISO 12944-2 classification of ambient conditions * Protocol of the coating thickness based on ISO 19840 available on request.

NORDBLOC.1 Helical Gear Units



ENQUIRY FORM B - 2

AVAILABLE VERSIONS..... B - 3

GEAR UNIT MOTOR DATA

Power and speed tables B - 4

Power and speed ratio tables
W and IEC, AI adapters B - 30

DIMENSIONED DRAWINGS

Gear unit motors B - 44

W adapters B - 60

OPTIONS

Z Flange mounted design with Flange B14 B - 62

XZ Foot mounted design with Flange B14 B - 63

XF Foot mounted design with Flange B5 B - 64

Further drive flanges. B - 65

Lieferbare Ausführungen

Beispiele - lieferbare Ausführungen

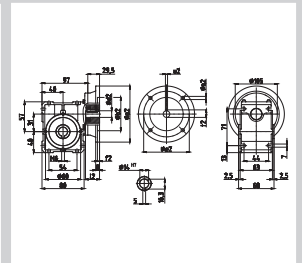
Baugrößen SK 072.1 - 673.1

SK 672.1 - 90 B14
Stirnradgetriebemotor, Fußbauart

SK 673.1 F - 112 M14
Stirnradgetriebemotor, Flansch

SK 172.1 - W
Stirnradgetriebe
Fußausführung

P_1 [kW]	n_2 [min ⁻¹]	M_2 [Nm]	f_B	i_{ges}
0,12	3,7	311	2,1	362,43
	4,0	285	2,2	332,23
	4,4	261	2,4	304,61
	4,8	240	2,7	279,23
	5,4	213	3,0	248,20
3,3	346	1,1	402,80	
3,5	323	1,3	376,20	
4,2	271	1,5	316,18	
4,4	260	1,7	302,91	
5,0	231	1,9	269,26	
5,9	194	2,3	226,30	
6,6	173	2,6	201,16	
7,1	162	2,8	182,01	




Enquiry form





This general enquiry form can be found in the attachment as well as on the **NORD** homepage under www.nord.com - Heading DOCUMENTATION / FORMS.

NORDBLOC.1
helical gear units



General enquiry form

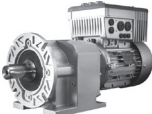



Company	<input style="width: 100%;" type="text"/>		
Street	<input style="width: 100%;" type="text"/>		
Town	<input style="width: 60%;" type="text"/>	Post-code	<input style="width: 20%;" type="text"/>
Contact	<input style="width: 100%;" type="text"/>		
Tel.:	<input style="width: 60%;" type="text"/>	Customer No.	<input style="width: 20%;" type="text"/>
Fax:	<input style="width: 60%;" type="text"/>	Application	<input style="width: 20%;" type="text"/>
Email	<input style="width: 60%;" type="text"/>	Project	<input style="width: 20%;" type="text"/>

NORD DRIVESYSTEMS
 Rudolf-Diesel-Straße 1
 D-22941 Bargteheide
 Tel.: +49(0) 4532/401-0
 Fax: +49(0)4532/401-254
 E-Mail info@nord.com
www.nord.com


Components required			
<input type="radio"/> Gear unit motor	<input type="radio"/> IEC – Gear unit motor	<input type="radio"/> Gear unit with free shaft end	<input type="radio"/> Stand-alone motor

Quantity <input style="width: 90%;" type="text"/>	Type <input style="width: 90%;" type="text"/>
---	---

Parameters specific to the gear unit		Parameters specific to gear unit	
Version <input style="width: 40%;" type="text"/>	Gear ratio <input style="width: 40%;" type="text"/>	Bearings <input type="radio"/> Normal <input type="radio"/> VL <input type="radio"/> VL2 <input type="radio"/> VL3 <input type="radio"/> AL	
Flange <input type="radio"/> B14 <input type="radio"/> B5 ϕ <input style="width: 40%;" type="text"/> [mm]		For bevel gear or worm gear units Shaft at <input type="radio"/> A <input type="radio"/> B	
<input type="radio"/> Hollow shaft <input type="radio"/> Solid shaft ϕ <input style="width: 20%;" type="text"/> x <input style="width: 20%;" type="text"/> [mm]		Oil type <input type="radio"/> Mineral <input type="radio"/> Synthetic <input type="radio"/> Foodstuff-compatible oil	
Output speed at mains frequency n_2 <input style="width: 40%;" type="text"/> [min^{-1}]		<input type="radio"/> Special oil type <input style="width: 40%;" type="text"/>	
Output torque M_2 <input style="width: 40%;" type="text"/> [Nm]		Parameters specific to motor	
Min. operating factor f_b <input style="width: 40%;" type="text"/>		Effective motor power <input style="width: 40%;" type="text"/> [kW]	
Min. bearing life L_h <input style="width: 40%;" type="text"/> [h]		Motor speed n_1 <input style="width: 40%;" type="text"/> [min^{-1}]	
Radial forces on output shaft F_{R2} <input style="width: 40%;" type="text"/> [N]		Temperature sensor (PTC) <input type="radio"/> Bi-metal temperature monitor <input type="radio"/>	
Axial forces on output shaft F_{A2} <input style="width: 40%;" type="text"/> [N]		Mains voltage <input style="width: 20%;" type="text"/> [V] +/- <input style="width: 20%;" type="text"/> [%]	
Dist. from shaft collar to point of action of force <input style="width: 40%;" type="text"/> [mm]		Mains frequency <input style="width: 40%;" type="text"/> [Hz]	

Page 1 of 2



Outline conditions

Ambient temperatures	<input style="width: 40%;" type="text"/> from <input style="width: 40%;" type="text"/> [°C]
<input type="checkbox"/> Buffer mounting for travelling drives	<input style="width: 40%;" type="text"/> [Nm]
<input type="checkbox"/> Relative humidity	<input style="width: 40%;" type="text"/> [%]
<input type="checkbox"/> Exposure to direct sunlight	
<input type="checkbox"/> Aggressive media (e.g.: salty air)	
<input type="checkbox"/> Increased installation altitude	<input style="width: 40%;" type="text"/> [m]
<input type="checkbox"/> Precipitation	
<input type="checkbox"/> ATEX (explosive mixtures in the vicinity)	Zone <input style="width: 40%;" type="text"/>

Painting

<input type="radio"/> Not painted	
<input type="radio"/> Paint 1.0 - Primer	
<input type="radio"/> Paint 2.0 - standard	
<input type="radio"/> Paint 3.0 - normal environmental contamination	
<input type="radio"/> Paint 3.1 - moderate environmental contamination	
<input type="radio"/> Paint 3.2 - severe environmental contamination	
<input type="radio"/> Other painting (e.g.: Z, 3.4 or 3.5)	<input style="width: 40%;" type="text"/>
<input type="checkbox"/> Special colour (Standard RAL7031) RAL	<input style="width: 40%;" type="text"/>
<input type="checkbox"/> Regulations DIN EN, etc., please state	<input style="width: 40%;" type="text"/>

General conditions

Quote by	<input style="width: 40%;" type="text"/>
Purchasing conditions	known <input type="radio"/> not known <input type="radio"/>
Purchasing conditions attached	<input type="checkbox"/>
Delivery time after receipt of order	<input style="width: 40%;" type="text"/>
Delivery carriage paid	<input type="checkbox"/>

Control cabinet inverter Motor-mounted inverter

Adjustment range from [Hz] to [Hz]

Constant torque within adjustment range [Nm]

External fan

Increase in motor size (with constant torque)

Positioning Incremental Absolute

Speed feedback

Generator operation for power feedback [kW]

Bus system- type of bus system

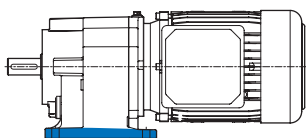
Control via PC Control box

Comments

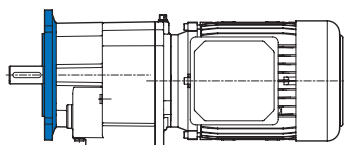
Page 2 of 2

Examples - Available Designs

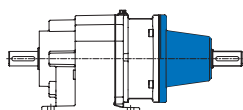
Sizes SK 072.1 - 673.1



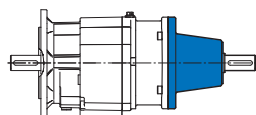
SK 572.1 - 90 SP/4
Helical gear unit motor,
Housing in foot mounted design, two-stage



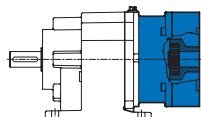
SK 673.1 F - 112 MP/4
Helical gear unit motor,
Housing in flange mounted design, three-stage



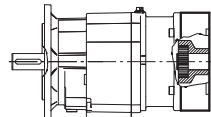
SK 172.1 - W
Helical gear unit
Housing in foot mounted design
free input shaft



SK 172.1 F - W
Helical gear unit
Housing in flange mounted design
free input shaft

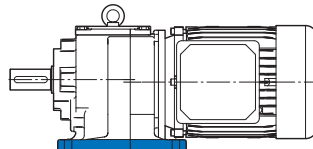


SK 072.1 - IEC 63 - C90
Helical gear unit,
Housing in foot mounted design,
IEC-Adapter

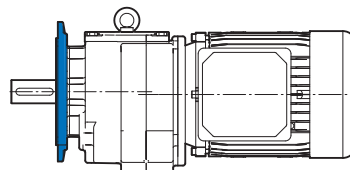


SK 072.1 F - IEC 63 - C90
Helical gear unit,
Housing in flange mounted design,
IEC-Adapter

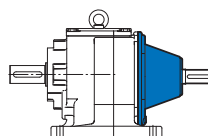
Sizes SK 772.1 - 973.1



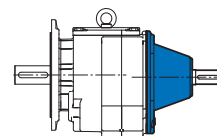
SK 772.1 - 100 LP/4
Helical gear unit motor,
Housing in foot mounted design, two-stage



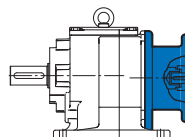
SK 873.1 F - 112 MP/4
Helical gear unit motor,
Housing in flange mounted design, three-stage



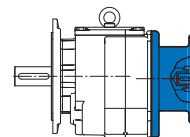
SK 972.1 - W
Helical gear unit,
Housing in foot mounted design,
free input shaft



SK 972.1 F - W
Helical gear unit,
Housing in flange mounted design,
free input shaft



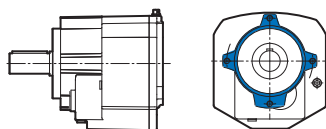
SK 973.1 - IEC
Helical gear unit,
Housing in foot mounted design,
IEC-Adapte



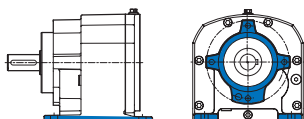
SK 973.1 F - IEC
Helical gear unit,
Housing in flange mounted design,
IEC-Adapter

NORDBLOC.1
helical gear units

Housing - Options

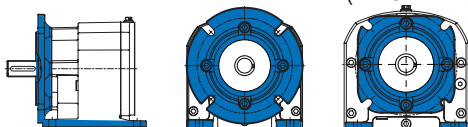


Housing in flange mounted design with Flange B14
Type supplement **Z**

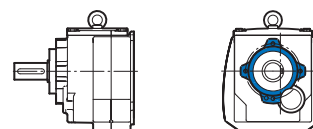


Housing in foot mounted design with Flange B14
Type supplement **XZ**

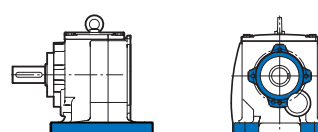
(SK 072.1 F)



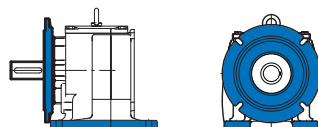
Housing in foot mounted design with Flange B5
Type supplement **XF**



Housing in flange mounted design with Flange B14,
Type supplement **Z**

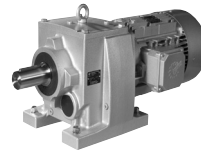


Housing in foot mounted design with Flange B14
Type supplement **XZ**



Housing in foot mounted design with Flange B5,
Type supplement **XF**

0,12 kW

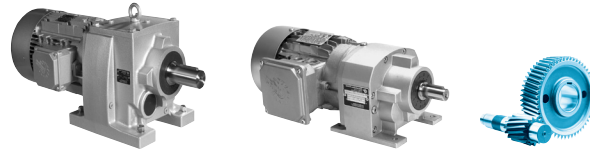



NORDBLOC.1
helical gear units

P ₁ [kW]	n ₂ [min ⁻¹]	M ₂ [Nm]	f _B	i _{ges}	F _R [kN]	F _A [kN]	F _{R VL} [kN]	F _{A VL} [kN]	Type	kg	mm H B
0,12	3,7	311	2,1	362,43	11,0	20,0	15,0	20,0	SK 673.1 - 63 S/4	25	B53
	4,0	285	2,2	332,23	11,1	20,0	15,0	20,0			
	4,4	261	2,4	304,61	11,2	20,0	15,0	20,0			
	4,8	240	2,7	279,23	11,3	20,0	15,0	20,0			
	5,4	213	3,0	248,20	11,3	20,0	15,0	20,0			
	3,3	346	1,1	402,80	9,8	14,5	11,0	14,5	SK 573.1* - 63 S/4	19	B49, B51
	3,5	323	1,3	376,20	9,9	14,5	11,0	14,5			
	4,2	271	1,5	316,18	10,1	14,5	11,0	14,5			
	4,4	260	1,7	302,91	10,1	14,5	11,0	14,5			
	5,0	231	1,9	269,26	10,2	14,5	11,0	14,5			
	5,9	194	2,3	226,30	10,3	14,5	11,0	14,5			
	6,6	173	2,6	201,16	10,3	14,5	11,0	14,5			
	7,1	162	2,8	188,91	10,3	14,5	11,0	14,5			
	8,4	136	3,3	158,78	10,4	14,5	11,0	14,5			
	9,5	121	3,7	141,13	10,4	14,5	11,0	14,5			
	11	108	4,2	125,45	10,4	14,5	11,0	14,5			
	12	92	4,7	107,42	10,4	14,5	11,0	14,5			
	3,9	**238	0,8	343,92	4,9	10,2	7,6	10,2	SK 373.1 - 63 S/4	11	B47
	4,4	260	0,8	303,08	4,3	10,2	7,5	10,2			
	5,0	231	1,0	269,67	4,9	10,2	7,7	10,2			
	5,2	220	0,9	256,50	5,1	10,2	7,8	10,2			
	5,8	196	1,1	228,22	5,3	10,2	7,9	10,2			
	6,4	179	1,1	207,98	5,5	10,2	8,0	10,2			
	6,8	168	1,2	196,07	5,6	10,2	8,0	10,2			
	7,2	159	1,3	185,05	5,6	10,2	8,0	10,2			
	8,0	142	1,5	165,94	5,7	10,2	8,0	10,2			
	9,2	124	1,7	145,00	5,8	10,2	8,0	10,2			
	10	112	1,8	130,87	5,9	10,2	8,0	10,2			
	11	103	1,9	120,54	5,9	10,2	8,0	10,2			
	13	88	2,3	102,01	6,0	10,2	8,0	10,2			
	15	79	2,7	91,48	6,0	10,2	8,0	10,2			
	16	71	3,0	82,57	6,0	10,2	8,0	10,2			
	18	62	2,4	72,38	6,1	10,2	8,0	10,2	SK 372.1 - 63 S/4	11	B46
	21	55	2,9	64,06	6,1	10,2	8,0	10,2			
	22	52	2,9	60,83	6,1	10,2	8,0	10,2			
	25	46	3,5	53,84	6,1	10,2	8,0	10,2			
	16	70	1,2	81,45	2,8	3,9	-	-	SK 172.1 - 63 S/4	7,7	B45
	19	60	1,2	70,00	2,8	3,9	-	-			
	21	54	1,2	62,36	2,8	3,9	-	-			
	25	46	1,8	54,03	2,8	3,9	-	-			
	29	40	2,1	46,43	2,8	3,9	-	-			
	32	36	2,4	41,36	2,8	3,9	-	-			
	34	33	2,6	38,75	2,8	3,9	-	-			
	39	30	2,9	34,52	2,8	3,9	-	-			
	21	55	0,9	63,56	2,5	2,9	-	-	SK 072.1 - 63 S/4	6,0	B44
	24	47	1,1	55,00	2,5	2,9	-	-			
	27	42	1,1	49,00	2,5	2,9	-	-			
	32	36	1,4	42,10	2,5	2,9	-	-			
	37	31	1,7	36,43	2,5	2,9	-	-			
	41	28	2,0	32,45	2,5	2,9	-	-			
	48	24	2,3	27,78	2,5	2,9	-	-			
	54	21	2,6	24,75	2,5	2,9	-	-			
	60	19	2,9	22,22	2,5	2,9	-	-			
	62	18	3,0	21,38	2,5	2,9	-	-			
	70	16	3,3	19,20	2,5	2,9	-	-			
	77	15	3,7	17,35	2,5	2,9	-	-			
	85	14	4,1	15,77	2,5	2,9	-	-			
	93	12	4,1	14,40	2,5	2,9	-	-			
	101	11	4,1	13,20	2,5	2,9	-	-			
	116	10	5,0	11,56	2,5	2,9	-	-			
	134	9	6,4	10,00	2,5	2,9	-	-			
	150	8	7,2	8,91	2,5	2,9	-	-			
	167	7	8,0	8,00	2,5	2,9	-	-			
	185	6	8,9	7,23	2,5	2,9	-	-			

** Maximum output torque with f_B = 0,8

* ⇔ A8

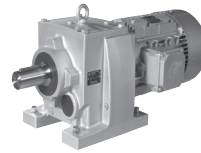


P ₁ [kW]	n ₂ [min ⁻¹]	M ₂ [Nm]	f _B	i _{ges}	F _R [kN]	F _A [kN]	F _{R VL} [kN]	F _{A VL} [kN]	Type	kg	mm 			
0,12	203	6	9,4	6,57	2,4	2,9	-	-	SK 072.1 - 63 S/4	6,0	B44			
	224	5	10,7	5,96	2,3	2,9	-	-						
	243	5	11,7	5,50	2,3	2,9	-	-						
	251	5	12,1	5,31	2,3	2,9	-	-						
	280	4	12,9	4,77	2,2	2,9	-	-						
	310	4	13,5	4,31	2,1	2,9	-	-						
	341	3	13,4	3,92	2,0	2,9	-	-						
	373	3	15,6	3,58	2,0	2,9	-	-						
	407	3	16,7	3,28	1,9	2,9	-	-						
	452	3	18,1	2,95	1,9	2,9	-	-						
	469	2	18,4	2,85	1,8	2,9	-	-						
	520	2	18,6	2,57	1,8	2,9	-	-						
	573	2	19,5	2,33	1,7	2,9	-	-						
	637	2	20,0	2,10	1,7	2,9	-	-						
0,18	3,8	458	1,4	362,43	10,4	20,0	15,0	20,0	SK 673.1 - 63 L/4	25	B53			
	4,1	420	1,5	332,23	10,6	20,0	15,0	20,0						
	4,5	385	1,7	304,61	10,7	20,0	15,0	20,0						
	4,9	353	1,8	279,23	10,9	20,0	15,0	20,0						
	5,5	314	2,0	248,20	11,0	20,0	15,0	20,0						
	6,2	277	2,3	219,00	11,2	20,0	15,0	20,0						
	7,0	245	2,6	194,11	11,3	20,0	15,0	20,0						
	7,5	230	2,8	181,88	11,3	20,0	15,0	20,0						
	7,6	225	2,8	177,94	11,3	20,0	15,0	20,0						
	3,6	475	0,9	376,20	8,9	14,5	11,0	14,5				SK 573.1* - 63 L/4	19	B49, B51
	4,3	400	1,1	316,18	9,6	14,5	11,0	14,5						
	4,5	383	1,1	302,91	9,6	14,5	11,0	14,5						
	5,1	340	1,3	269,26	9,8	14,5	11,0	14,5						
	6,0	286	1,6	226,30	10,0	14,5	11,0	14,5						
	6,8	254	1,8	201,16	10,1	14,5	11,0	14,5						
	7,2	239	1,9	188,91	10,2	14,5	11,0	14,5						
	8,6	201	2,2	158,78	10,3	14,5	11,0	14,5						
	9,6	178	2,5	141,13	10,3	14,5	11,0	14,5						
	11	159	2,8	125,45	10,4	14,5	11,0	14,5						
	13	136	3,2	107,42	10,4	14,5	11,0	14,5						
	14	119	3,8	94,50	10,4	14,5	11,0	14,5						
	6,0	288	0,8	228,22	3,4	10,2	7,2	10,2	SK 373.1 - 63 L/4	12	B47			
	6,5	263	0,8	207,98	4,2	10,2	7,4	10,2						
	6,9	248	0,8	196,07	4,3	10,2	7,6	10,2						
7,3	234	0,9	185,05	4,8	10,2	7,7	10,2							
8,2	210	1,0	165,94	5,2	10,2	7,8	10,2							
9,4	183	1,1	145,00	5,4	10,2	8,0	10,2							
10	165	1,2	130,87	5,6	10,2	8,0	10,2							
11	152	1,3	120,54	5,7	10,2	8,0	10,2							
13	129	1,6	102,01	5,8	10,2	8,0	10,2							
15	116	1,8	91,48	5,9	10,2	8,0	10,2							
16	104	2,0	82,57	5,9	10,2	8,0	10,2							
18	94	2,1	74,27	6,0	10,2	8,0	10,2							
19	91	1,6	72,38	6,0	10,2	8,0	10,2	SK 372.1 - 63 L/4	11	B46				
21	81	2,0	64,06	6,0	10,2	8,0	10,2							
22	77	2,0	60,83	6,0	10,2	8,0	10,2							
25	68	2,4	53,84	6,1	10,2	8,0	10,2							
31	55	3,1	43,26	6,1	10,2	8,0	10,2							
36	48	3,7	38,12	6,1	10,2	8,0	10,2							
17	103	0,8	81,45	2,8	3,9	-	-	SK 172.1 - 63 L/4	8	B45				
19	88	0,8	70,00	2,8	3,9	-	-							
22	79	0,8	62,36	2,8	3,9	-	-							
25	68	1,2	54,03	2,8	3,9	-	-							
29	59	1,4	46,43	2,8	3,9	-	-							
33	52	1,6	41,36	2,8	3,9	-	-							
35	49	1,7	38,75	2,8	3,9	-	-							
39	44	2,0	34,52	2,8	3,9	-	-							
44	39	2,3	31,00	2,8	3,9	-	-							
49	35	2,6	27,62	2,8	3,9	-	-							
55	31	2,9	24,80	2,8	3,9	-	-							

NORDBLOC.1
helical gear units

* ⇨  A8

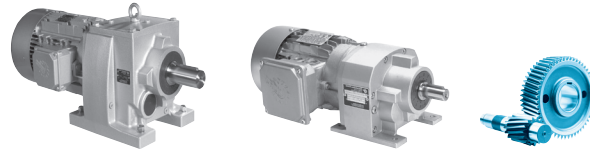
0,18 kW
0,25 kW




NORDBLOC.1
helical gear units

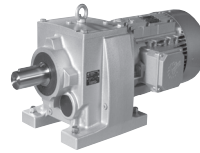
P ₁ [kW]	n ₂ [min ⁻¹]	M ₂ [Nm]	f _B	i _{ges}	F _R [kN]	F _A [kN]	F _{R VL} [kN]	F _{A VL} [kN]	Type	kg	mm H B			
0,18	32	53	0,9	42,10	2,5	2,9	-	-	SK 072.1 - 63 L/4	7	B44			
	37	46	1,2	36,43	2,5	2,9	-	-						
	42	41	1,3	32,45	2,5	2,9	-	-						
	49	35	1,5	27,78	2,5	2,9	-	-						
	55	31	1,8	24,75	2,5	2,9	-	-						
	61	28	2,0	22,22	2,5	2,9	-	-						
	64	27	2,0	21,38	2,5	2,9	-	-						
	71	24	2,3	19,20	2,5	2,9	-	-						
	78	22	2,5	17,35	2,5	2,9	-	-						
	86	20	2,8	15,77	2,5	2,9	-	-						
	94	18	2,8	14,40	2,5	2,9	-	-						
	103	17	2,8	13,20	2,5	2,9	-	-						
	118	15	3,4	11,56	2,5	2,9	-	-						
	136	13	4,4	10,00	2,5	2,9	-	-						
	153	11	4,9	8,91	2,5	2,9	-	-						
	170	10	5,4	8,00	2,5	2,9	-	-						
	188	9	6,0	7,23	2,4	2,9	-	-						
	207	8	6,4	6,57	2,4	2,9	-	-						
	228	8	7,3	5,96	2,3	2,9	-	-						
	247	7	7,9	5,50	2,2	2,9	-	-						
	256	7	8,2	5,31	2,2	2,9	-	-						
	285	6	8,8	4,77	2,1	2,9	-	-						
	315	5	9,2	4,31	2,1	2,9	-	-						
	347	5	9,1	3,92	2,0	2,9	-	-						
	380	5	10,6	3,58	2,0	2,9	-	-						
	415	4	11,3	3,28	1,9	2,9	-	-						
	460	4	12,3	2,95	1,8	2,9	-	-						
	477	4	12,5	2,85	1,8	2,9	-	-						
530	3	12,6	2,57	1,8	2,9	-	-							
584	3	13,3	2,33	1,7	2,9	-	-							
649	3	13,6	2,10	1,6	2,9	-	-							
0,25	3,5	684	1,2	395,46	12,8	9,0	17,0	25,0	SK 773.1 - 71 S/4	39	B55			
	4,0	590	1,4	341,21	13,4	9,0	17,0	25,0						
	4,1	579	1,5	334,70	13,5	9,0	17,0	25,0						
	4,5	532	1,6	307,42	13,6	9,0	17,0	25,0						
	4,8	500	1,7	288,78	13,8	9,0	17,0	25,0						
	5,2	459	1,9	265,24	13,9	9,0	17,0	25,0						
	5,3	450	1,9	260,18	13,9	9,0	17,0	25,0						
	5,7	421	2,0	243,53	14,0	9,0	17,0	25,0						
	6,1	388	2,2	224,49	14,1	9,0	17,0	25,0						
	6,7	357	2,4	206,11	14,2	9,0	17,0	25,0						
	7,3	327	2,6	189,31	14,2	9,0	17,0	25,0						
	3,8	627	1,0	362,43	9,1	20,0	14,5	20,0				SK 673.1 - 71 S/4	26	B53
	4,2	575	1,1	332,23	9,6	20,0	14,8	20,0						
	4,5	527	1,2	304,61	9,9	20,0	15,0	20,0						
	4,9	483	1,3	279,23	10,2	20,0	15,0	20,0						
	5,6	429	1,5	248,20	10,5	20,0	15,0	20,0						
6,3	381	1,7	220,32	10,8	20,0	15,0	20,0							
7,1	336	1,9	194,11	10,9	20,0	15,0	20,0							
7,6	315	2,0	181,88	11,0	20,0	15,0	20,0							
7,8	308	2,1	177,94	11,1	20,0	15,0	20,0							
8,5	279	2,3	161,45	11,2	20,0	15,0	20,0							
9,6	248	2,6	143,30	11,2	20,0	15,0	20,0							
4,4	547	0,8	316,18	7,8	14,5	11,0	14,5	SK 573.1* - 71 S/4	20	B49, B51				
4,6	524	0,8	302,91	8,2	14,5	11,0	14,5							
5,1	466	1,0	269,26	8,9	14,5	11,0	14,5							
6,1	391	1,1	226,30	9,6	14,5	11,0	14,5							
6,9	348	1,3	201,16	9,8	14,5	11,0	14,5							
7,3	327	1,4	188,91	9,9	14,5	11,0	14,5							
7,7	309	1,5	178,56	9,9	14,5	11,0	14,5							
8,7	275	1,6	158,78	10,1	14,5	11,0	14,5							
9,8	244	1,8	141,13	10,2	14,5	11,0	14,5							
11	217	2,1	125,45	10,2	14,5	11,0	14,5							
12	193	2,3	111,36	10,3	14,5	11,0	14,5							
13	186	2,3	107,42	10,3	14,5	11,0	14,5							
15	163	2,8	94,50	10,3	14,5	11,0	14,5							
16	147	3,1	85,18	10,4	14,5	11,0	14,5							
18	133	3,4	76,88	10,4	14,5	11,0	14,5							
20	117	3,8	67,64	10,4	14,5	11,0	14,5							
23	105	4,3	60,97	10,4	14,5	11,0	14,5							

* ⇨ A8



P ₁ [kW]	n ₂ [min ⁻¹]	M ₂ [Nm]	f _B	i _{ges}	F _R [kN]	F _A [kN]	F _{R VL} [kN]	F _{A VL} [kN]	Type	kg	mm 
0,25	25	94	3,9	54,41	10,4	15,0	11,0	15,0	SK 572.1* - 71 S/4	20	B48, B50
	9,5	251	0,8	145,00	4,2	10,2	7,5	10,2	SK 373.1 - 71 S/4	13	B47
	11	209	1,0	120,54	5,2	10,2	7,8	10,2			
	14	176	1,1	102,01	5,5	10,2	8,0	10,2			
	15	158	1,3	91,48	5,6	10,2	8,0	10,2			
	17	143	1,5	82,57	5,7	10,2	8,0	10,2			
	19	128	1,6	74,27	5,8	10,2	8,0	10,2			
	21	112	1,8	64,70	5,9	10,2	8,0	10,2			
	23	104	1,9	60,22	5,9	10,2	8,0	10,2			
	26	93	2,2	54,00	6,0	10,2	8,0	10,2			
	29	81	2,6	47,05	6,0	10,2	8,0	10,2			
	19	125	1,2	72,38	5,8	10,2	8,0	10,2			
	22	111	1,4	64,06	5,9	10,2	8,0	10,2			
	23	105	1,4	60,83	5,9	10,2	8,0	10,2			
	26	93	1,7	53,84	6,0	10,2	8,0	10,2			
	32	75	2,3	43,26	6,0	10,2	8,0	10,2			
	36	66	2,7	38,12	6,1	10,2	8,0	10,2			
	41	59	3,2	33,84	6,1	10,2	8,0	10,2			
	46	52	3,5	30,11	6,1	10,2	8,0	10,2			
	26	93	0,9	54,03	2,8	3,9	-	-	SK 172.1 - 71 S/4	10	B45
	30	80	1,1	46,43	2,8	3,9	-	-			
	33	72	1,2	41,36	2,8	3,9	-	-			
	36	67	1,3	38,75	2,8	3,9	-	-			
	40	60	1,4	34,52	2,8	3,9	-	-			
	45	54	1,7	31,00	2,8	3,9	-	-			
	50	48	1,9	27,62	2,8	3,9	-	-			
	56	43	2,1	24,80	2,8	3,9	-	-			
	62	39	2,4	22,42	2,8	3,9	-	-			
	68	35	2,4	20,37	2,8	3,9	-	-			
	74	32	2,6	18,60	2,8	3,9	-	-			
	49	49	1,1	27,78	2,5	2,9	-	-	SK 072.1 - 71 S/4	7	B44
	55	44	1,3	24,75	2,5	2,9	-	-			
	61	39	1,4	22,22	2,5	2,9	-	-			
	63	38	1,5	21,38	2,5	2,9	-	-			
	70	34	1,6	19,20	2,5	2,9	-	-			
78	31	1,8	17,35	2,5	2,9	-	-				
86	28	2,0	15,77	2,5	2,9	-	-				
94	25	2,0	14,40	2,5	2,9	-	-				
102	23	2,0	13,20	2,5	2,9	-	-				
117	20	2,4	11,56	2,5	2,9	-	-				
135	18	3,1	10,00	2,5	2,9	-	-				
152	16	3,5	8,91	2,5	2,9	-	-				
169	14	3,9	8,00	2,5	2,9	-	-				
187	13	4,3	7,23	2,4	2,9	-	-				
205	12	4,6	6,57	2,3	2,9	-	-				
226	11	5,2	5,96	2,3	2,9	-	-				
245	10	5,7	5,50	2,2	2,9	-	-				
254	9	5,9	5,31	2,2	2,9	-	-				
283	8	6,3	4,77	2,1	2,9	-	-				
313	8	6,6	4,31	2,1	2,9	-	-				
345	7	6,5	3,92	2,0	2,9	-	-				
377	6	7,6	3,58	1,9	2,9	-	-				
412	6	8,1	3,28	1,9	2,9	-	-				
457	5	8,8	2,95	1,8	2,9	-	-				
474	5	8,9	2,85	1,8	2,9	-	-				
526	5	9,0	2,57	1,7	2,9	-	-				
580	4	9,5	2,33	1,7	2,9	-	-				
644	4	9,7	2,10	1,6	2,9	-	-				

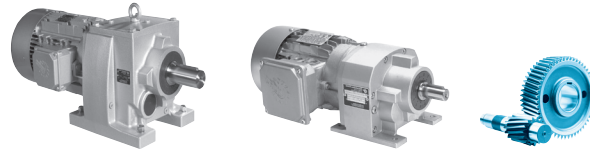
0,37 kW




NORDBLOC.1
helical gear units

P ₁ [kW]	n ₂ [min ⁻¹]	M ₂ [Nm]	f _B	i _{ges}	F _R [kN]	F _A [kN]	F _{R VL} [kN]	F _{A VL} [kN]	Type	kg	mm
0,37	3,5	1013	0,8	395,46	9,5	9,0	15,8	25,0	SK 773.1 - 71 L/4	40	B55
	4,0	874	1,0	341,21	11,0	9,0	16,6	25,0			
	4,1	857	1,0	334,70	11,1	9,0	16,7	25,0			
	4,5	787	1,1	307,42	11,9	9,0	17,0	25,0			
	4,8	739	1,1	288,78	12,3	9,0	17,0	25,0			
	5,2	679	1,3	265,24	12,9	9,0	17,0	25,0			
	5,3	666	1,3	260,18	12,9	9,0	17,0	25,0			
	5,7	624	1,4	243,53	13,3	9,0	17,0	25,0			
	6,1	575	1,5	224,49	13,5	9,0	17,0	25,0			
	6,7	528	1,6	206,11	13,7	9,0	17,0	25,0			
	7,3	485	1,8	189,31	13,8	9,0	17,0	25,0			
	7,7	457	1,9	178,53	13,9	9,0	17,0	25,0			
	8,6	410	2,1	160,22	14,0	9,0	17,0	25,0			
9,1	387	1,8	151,10	14,1	9,0	17,0	25,0				
9,9	355	2,4	138,78	14,2	9,0	17,0	25,0				
	4,2	851	0,8	332,23	6,4	20,0	13,0	20,0	SK 673.1 - 71 L/4	27	B53
	4,5	780	0,8	304,61	7,5	20,0	13,5	20,0			
	4,9	715	0,9	279,23	8,3	20,0	14,0	20,0			
	5,6	635	1,0	248,20	9,1	20,0	14,5	20,0			
	6,3	564	1,1	220,32	9,7	20,0	14,8	20,0			
	7,1	497	1,3	194,11	10,1	20,0	15,0	20,0			
	7,6	466	1,4	181,88	10,3	20,0	15,0	20,0			
	7,8	456	1,4	177,94	10,4	20,0	15,0	20,0			
	8,5	413	1,5	161,45	10,6	20,0	15,0	20,0			
	9,6	367	1,7	143,30	10,8	20,0	15,0	20,0			
	11	334	1,9	130,55	11,0	20,0	15,0	20,0			
	12	297	2,2	115,89	11,1	20,0	15,0	20,0			
	13	265	2,4	103,48	11,2	20,0	15,0	20,0			
	15	243	2,6	94,86	11,3	20,0	15,0	20,0			
	6,1	579	0,8	226,30	7,2	14,5	11,0	14,5	SK 573.1* - 71 L/4	21	B48, B51
	6,9	515	0,9	201,16	8,2	14,5	11,0	14,5			
	7,3	484	0,9	188,91	8,8	14,5	11,0	14,5			
	7,7	457	1,0	178,56	9,1	14,5	11,0	14,5			
	8,7	407	1,1	158,78	9,5	14,5	11,0	14,5			
	9,8	361	1,2	141,13	9,7	14,5	11,0	14,5			
	11	321	1,4	125,45	9,9	14,5	11,0	14,5			
	12	285	1,6	111,36	10,0	14,5	11,0	14,5			
	13	275	1,6	107,42	10,1	14,5	11,0	14,5			
	15	242	1,9	94,50	10,2	14,5	11,0	14,5			
	16	218	2,1	85,18	10,2	14,5	11,0	14,5			
	18	197	2,3	76,88	10,3	14,5	11,0	14,5			
	20	173	2,6	67,64	10,3	14,5	11,0	14,5			
	23	156	2,9	60,97	10,4	14,5	11,0	14,5			
	25	139	2,7	54,41	10,4	15,0	11,0	15,0	SK 572.1* - 71 L/4	21	B48, B50
	30	117	2,7	45,77	10,4	15,0	11,0	15,0			
	14	261	0,8	102,01	4,1	10,2	7,4	10,2	SK 373.1 - 71 L/4	14	B47
	15	234	0,9	91,48	4,7	10,2	7,7	10,2			
	17	211	1,0	82,57	5,2	10,2	7,8	10,2			
	19	190	1,1	74,27	5,4	10,2	8,0	10,2			
	21	166	1,2	64,70	5,6	10,2	8,0	10,2			
	23	154	1,3	60,22	5,7	10,2	8,0	10,2			
	26	138	1,5	54,00	5,8	10,2	8,0	10,2			
	29	120	1,7	47,05	5,9	10,2	8,0	10,2			
	32	109	1,8	42,46	5,9	10,2	8,0	10,2			
	37	95	2,1	37,23	6,0	10,2	8,0	10,2			
	19	185	0,8	72,38	5,4	10,2	8,0	10,2	SK 372.1 - 71 L/4	13	B46
	22	164	1,0	64,06	5,6	10,2	8,0	10,2			
	23	156	1,0	60,83	5,6	10,2	8,0	10,2			
	26	138	1,2	53,84	5,8	10,2	8,0	10,2			
	32	111	1,5	43,26	5,9	10,2	8,0	10,2			
	36	98	1,8	38,12	6,0	10,2	8,0	10,2			
	41	87	2,2	33,84	6,0	10,2	8,0	10,2			
	46	77	2,3	30,11	6,0	10,2	8,0	10,2			
	36	99	0,9	38,75	2,8	3,9	-	-	SK 172.1 - 71 L/4	10	B45
	40	88	1,0	34,52	2,8	3,9	-	-			
	45	79	1,2	31,00	2,8	3,9	-	-			
	50	71	1,3	27,62	2,8	3,9	-	-			
	56	63	1,4	24,80	2,8	3,9	-	-			

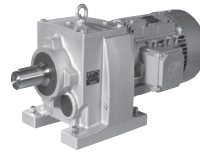
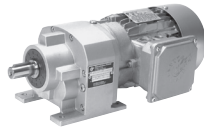
* ⇨ A8



P_1 [kW]	n_2 [min ⁻¹]	M_2 [Nm]	f_B	i_{ges}	F_R [kN]	F_A [kN]	F_{RVL} [kN]	F_{AVL} [kN]	Type	kg	mm 			
0,37	62	57	1,6	22,42	2,8	3,9	-	-	SK 172.1 - 71 L/4	10	B45			
	68	52	1,6	20,37	2,8	3,9	-	-						
	74	48	1,8	18,60	2,8	3,9	-	-						
	88	40	2,1	15,76	2,8	3,9	-	-						
	102	35	2,5	13,54	2,8	3,9	-	-						
	114	31	2,8	12,06	2,8	3,9	-	-						
	121	29	2,9	11,39	2,8	3,9	-	-						
	127	28	3,1	10,83	2,8	3,9	-	-						
	50	71	0,8	27,78	2,5	2,9	-	-				SK 072.1 - 71 L/4	9	B44
	56	63	0,9	24,75	2,5	2,9	-	-						
62	57	1,0	22,22	2,5	2,9	-	-							
65	55	1,0	21,38	2,5	2,9	-	-							
72	49	1,1	19,20	2,5	2,9	-	-							
80	44	1,2	17,35	2,5	2,9	-	-							
88	40	1,4	15,77	2,5	2,9	-	-							
96	37	1,4	14,40	2,5	2,9	-	-							
105	34	1,4	13,20	2,5	2,9	-	-							
119	30	1,7	11,56	2,5	2,9	-	-							
138	26	2,1	10,00	2,5	2,9	-	-							
155	23	2,4	8,91	2,4	2,9	-	-							
172	20	2,7	8,00	2,4	2,9	-	-							
191	19	3,0	7,23	2,3	2,9	-	-							
210	17	3,2	6,57	2,2	2,9	-	-							
231	15	3,6	5,96	2,2	2,9	-	-							
251	14	3,9	5,50	2,1	2,9	-	-							
260	14	4,0	5,31	2,1	2,9	-	-							
289	12	4,3	4,77	2,0	2,9	-	-							
320	11	4,5	4,31	2,0	2,9	-	-							
352	10	4,5	3,92	1,9	2,9	-	-							
386	9	5,2	3,58	1,9	2,9	-	-							
421	8	5,6	3,28	1,8	2,9	-	-							
467	8	6,1	2,95	1,8	2,9	-	-							
485	7	6,2	2,85	1,8	2,9	-	-							
538	7	6,2	2,57	1,7	2,9	-	-							
593	6	6,5	2,33	1,6	2,9	-	-							
658	5	6,7	2,10	1,6	2,8	-	-							
0,55	78	67	0,8	17,35	2,5	2,9	-	-	SK 072.1 - 71 LA/4	9	B44			
	86	61	0,9	15,77	2,5	2,9	-	-						
	94	56	0,9	14,40	2,4	2,9	-	-						
	103	51	0,9	13,20	2,4	2,9	-	-						
	118	45	1,1	11,56	2,4	2,9	-	-						
	136	39	1,4	10,00	2,4	2,9	-	-						
	153	34	1,6	8,91	2,3	2,9	-	-						
	170	31	1,8	8,00	2,2	2,9	-	-						
	188	28	2,0	7,23	2,2	2,9	-	-						
	207	25	2,1	6,57	2,1	2,9	-	-						
	228	23	2,4	5,96	2,1	2,9	-	-						
	247	21	2,6	5,50	2,0	2,9	-	-						
	256	21	2,7	5,31	2,0	2,9	-	-						
	285	18	2,9	4,77	2,0	2,9	-	-						
	315	17	3,0	4,31	1,9	2,9	-	-						
	347	15	3,0	3,92	1,9	2,9	-	-						
	380	14	3,5	3,58	1,8	2,9	-	-						
	415	13	3,7	3,28	1,8	2,9	-	-						
	460	11	4,0	2,95	1,7	2,9	-	-						
	477	11	4,1	2,85	1,7	2,9	-	-						
	530	10	4,1	2,57	1,7	2,9	-	-						
	584	9	4,3	2,33	1,6	2,8	-	-						
	649	8	4,4	2,10	1,6	2,7	-	-						

0,55 kW

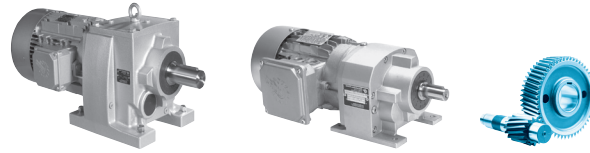
IE2




NORDBLOC.1
helical gear units

P ₁ [kW]	n ₂ [min ⁻¹]	M ₂ [Nm]	f _B	i _{ges}	F _R [kN]	F _A [kN]	F _{R VL} [kN]	F _{A VL} [kN]	Type	kg	mm
0,55	4,9	1068	0,8	288,78	8,7	9,0	15,4	25,0	SK 773.1 - 80 SH/4	42	B55
	5,4	981	0,9	265,24	9,8	9,0	16,0	25,0			
	5,5	962	0,9	260,18	9,9	9,0	16,1	25,0			
	5,8	901	0,9	243,53	10,7	9,0	16,5	25,0			
	6,3	830	1,0	224,49	11,3	9,0	16,8	25,0			
	6,9	762	1,1	206,11	12,0	9,0	17,0	25,0			
	7,5	700	1,2	189,31	12,7	9,0	17,0	25,0			
	8,0	660	1,3	178,53	13,1	9,0	17,0	25,0			
	8,9	593	1,5	160,22	13,4	9,0	17,0	25,0			
	9,4	559	1,3	151,10	13,6	9,0	17,0	25,0			
	10	513	1,7	138,78	13,7	9,0	17,0	25,0			
	12	434	2,0	117,46	14,0	9,0	17,0	25,0			
	13	414	2,1	111,92	14,0	9,0	17,0	25,0			
	15	346	2,5	93,61	13,8	9,0	17,0	25,0			
	6,4	815	0,8	220,32	7,0	20,0	13,2	20,0			
6,5	810	0,8	219,00	7,0	20,0	13,3	20,0				
7,3	718	0,9	194,11	8,2	20,0	14,0	20,0				
7,8	673	1,0	181,88	8,7	20,0	14,2	20,0				
8,0	658	1,0	177,94	8,9	20,0	14,3	20,0				
8,8	597	1,1	161,45	9,4	20,0	14,7	20,0				
9,7	543	1,2	146,88	9,8	20,0	14,9	20,0				
9,9	530	1,2	143,30	9,9	20,0	15,0	20,0				
11	498	1,3	134,64	10,1	20,0	15,0	20,0				
12	429	1,5	115,89	10,5	20,0	15,0	20,0				
14	383	1,7	103,48	10,7	20,0	15,0	20,0				
15	351	1,8	94,86	10,9	20,0	15,0	20,0				
17	310	2,1	83,70	11,0	20,0	15,0	20,0				
19	272	2,3	73,64	11,2	20,0	15,0	20,0				
22	244	2,6	65,95	11,3	20,0	15,0	20,0				
8,9	587	0,8	158,78	7,2	14,5	11,0	14,5	SK 573.1* - 80 SH/4	24	B49, B51	
10	522	0,9	141,13	8,1	14,5	11,0	14,5				
11	464	1,0	125,45	9,0	14,5	11,0	14,5				
13	412	1,1	111,36	9,5	14,5	11,0	14,5				
15	350	1,3	94,50	9,8	14,5	11,0	14,5				
17	315	1,4	85,18	9,9	14,5	11,0	14,5				
18	284	1,6	76,88	10,0	14,5	11,0	14,5				
21	250	1,8	67,64	10,1	14,5	11,0	14,5				
23	225	2,0	60,97	10,2	14,5	11,0	14,5				
25	206	2,2	55,80	10,3	14,5	11,0	14,5				
29	183	2,5	49,60	10,3	14,5	11,0	14,5				
30	177	2,5	47,95	10,3	14,5	11,0	14,5				
33	161	2,8	43,40	10,3	14,5	11,0	14,5				
26	201	1,8	54,41	10,3	15,0	11,0	15,0				SK 572.1* - 80 SH/4
31	169	1,9	45,77	10,3	15,0	11,0	15,0				
34	157	2,4	42,38	10,4	15,0	11,0	15,0				
40	132	2,8	35,65	10,4	15,0	11,0	15,0				
49	107	3,6	28,91	10,4	15,0	11,0	15,0				
53	100	4,0	27,00	10,4	15,0	11,0	15,0				
22	239	0,8	64,70	4,7	10,2	7,6	10,2	SK 373.1 - 80 SH/4	16	B47	
24	223	0,9	60,22	5,1	10,2	7,7	10,2				
26	200	1,1	54,00	5,3	10,2	7,9	10,2				
30	174	1,2	47,05	5,5	10,2	8,0	10,2				
33	157	1,3	42,46	5,6	10,2	8,0	10,2				
38	138	1,5	37,23	5,8	10,2	8,0	10,2				
43	123	1,6	33,20	5,8	10,2	8,0	10,2				
48	110	1,9	29,77	5,9	10,2	8,0	10,2				
26	199	0,8	53,84	5,3	10,2	7,9	10,2	SK 372.1 - 80 SH/4	16	B46	
33	160	1,1	43,26	5,6	10,2	8,0	10,2				
37	141	1,3	38,12	5,7	10,2	8,0	10,2				
42	125	1,5	33,84	5,8	10,2	8,0	10,2				
47	111	1,6	30,11	5,9	10,2	8,0	10,2				
55	96	2,0	25,85	6,0	10,2	8,0	10,2				
62	85	2,4	23,00	6,0	10,2	8,0	10,2				
69	76	2,5	20,62	6,0	10,2	8,0	10,2				
77	68	2,9	18,40	6,1	10,2	8,0	10,2				
86	61	3,1	16,50	6,0	10,2	8,0	10,2				
97	54	3,5	14,57	6,0	10,2	7,9	10,2				
110	48	4,2	12,96	5,8	10,2	7,6	10,2				
123	43	4,4	11,55	5,7	10,2	7,3	10,2				

* ⇒ A8

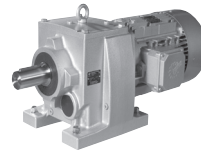


P ₁ [kW]	n ₂ [min ⁻¹]	M ₂ [Nm]	f _B	i _{ges}	F _R [kN]	F _A [kN]	F _{R VL} [kN]	F _{A VL} [kN]	Type	kg	mm 
0,55	51	102	0,9	27,62	2,8	3,9	-	-	SK 172.1 - 80 SH/4	13	B45
	57	92	1,0	24,80	2,8	3,9	-	-			
	63	83	1,1	22,42	2,8	3,9	-	-			
	70	75	1,1	20,37	2,8	3,9	-	-			
	76	69	1,2	18,60	2,8	3,9	-	-			
	90	58	1,5	15,76	2,8	3,9	-	-			
	105	50	1,7	13,54	2,8	3,9	-	-			
	118	45	1,9	12,06	2,8	3,9	-	-			
	125	42	2,0	11,39	2,8	3,9	-	-			
	131	40	2,1	10,83	2,8	3,9	-	-			
	145	36	2,3	9,79	2,8	3,9	-	-			
163	32	2,7	8,72	2,8	3,9	-	-				
181	29	2,8	7,83	2,8	3,9	-	-				
0,75	7,5	958	0,9	189,31	10,1	9,0	16,2	25,0	SK 773.1 - 80 LP/4	44	B55
	8,8	811	1,1	160,22	11,5	9,0	17,0	25,0			
	10	702	1,2	138,78	12,7	9,0	17,0	25,0			
	12	595	1,5	117,46	13,4	9,0	17,0	25,0			
	13	566	1,5	111,92	13,5	9,0	17,0	25,0			
	15	474	1,8	93,61	13,4	9,0	17,0	25,0			
	17	422	2,0	83,32	13,0	9,0	17,0	25,0			
	18	401	2,2	79,23	12,8	9,0	17,0	25,0			
	20	364	2,3	71,89	12,5	9,0	17,0	25,0			
	21	349	2,4	68,92	12,4	9,0	17,0	25,0			
	22	321	2,6	63,42	12,1	9,0	17,0	25,0			
	8,8	817	0,8	161,45	6,9	20,0	13,2	20,0			
	9,6	743	0,9	146,88	7,9	20,0	13,8	20,0			
	9,9	725	0,9	143,30	8,1	20,0	13,9	20,0			
	11	661	1,0	130,55	8,8	20,0	14,3	20,0			
	12	587	1,1	115,89	9,5	20,0	14,7	20,0			
	14	524	1,2	103,48	9,9	20,0	15,0	20,0			
	15	480	1,3	94,86	10,2	20,0	15,0	20,0			
	17	424	1,5	83,70	10,5	20,0	15,0	20,0			
	19	373	1,7	73,64	10,8	20,0	15,0	20,0			
	21	334	1,9	65,95	11,0	20,0	15,0	20,0			
	23	306	2,1	60,45	11,1	20,0	15,0	20,0			
26	279	2,3	55,12	11,2	20,0	15,0	20,0				
29	251	2,6	49,50	11,2	20,0	15,0	20,0				
25	287	1,4	56,65	11,1	20,0	15,0	20,0	SK 672.1 - 80 LP/4	30	B52	
32	225	2,0	44,55	11,3	20,0	15,0	20,0				
13	564	0,8	111,36	7,5	14,5	11,0	14,5	SK 573.1* - 80 LP/4	25	B49, B51	
15	478	0,9	94,50	8,8	14,5	11,0	14,5				
17	431	1,0	85,18	9,4	14,5	11,0	14,5				
18	389	1,2	76,88	9,6	14,5	11,0	14,5				
21	342	1,3	67,64	9,8	14,5	11,0	14,5				
23	309	1,5	60,97	9,9	14,5	11,0	14,5				
25	282	1,6	55,80	10,0	14,5	11,0	14,5				
29	251	1,8	49,60	10,1	14,5	11,0	14,5				
30	243	1,9	47,95	10,2	14,5	11,0	14,5				
33	220	2,0	43,40	10,2	14,5	11,0	14,5				
34	214	2,1	42,18	10,2	14,5	11,0	14,5				
37	192	2,3	38,02	10,3	14,5	11,0	14,5				
26	275	1,3	54,41	10,1	15,0	11,0	15,0	SK 572.1* - 80 LP/4	25	B48, B50	
31	232	1,4	45,77	10,2	15,0	11,0	15,0				
33	215	1,7	42,38	10,2	15,0	11,0	15,0				
40	180	2,1	35,65	10,3	15,0	11,0	15,0				
49	146	2,6	28,91	10,4	15,0	11,0	15,0				
52	137	2,9	27,00	10,4	15,0	11,0	15,0				
26	273	0,8	54,00	3,6	10,2	7,3	10,2	SK 373.1 - 80 LP/4	18	B47	
30	238	0,9	47,05	4,4	10,2	7,6	10,2				
33	215	0,9	42,46	4,6	10,2	7,8	10,2				
38	188	1,1	37,23	4,8	10,2	8,0	10,2				
43	168	1,2	33,20	5,2	10,2	8,0	10,2				
48	151	1,4	29,77	5,3	10,2	8,0	10,2				

NORDBLOC.1
helical gear units

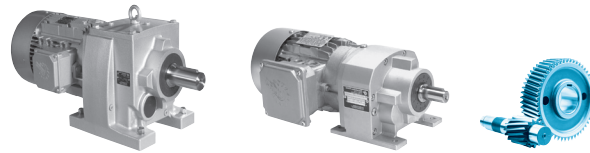
* ⇔ A8


**0,75 kW
1,10 kW**



NORDBLOC.1
helical gear units

P_1 [kW]	n_2 [min ⁻¹]	M_2 [Nm]	f_B	i_{ges}	F_R [kN]	F_A	F_{RVL} [kN]	F_{AVL} [kN]	Type	kg	mm
0,75	55	131	1,6	25,94	5,4	10,2	8,0	10,2	SK 373.1 - 80 LP/4	18	B47
	60	118	1,8	23,41	5,3	10,2	8,0	10,2			
	62	115	1,8	22,74	5,4	10,2	8,0	10,2			
	69	104	2,0	20,52	5,4	10,2	8,0	10,2			
	76	94,3	2,0	18,63	5,3	10,2	8,0	10,2			
	33	219	0,8	43,26	5,0	10,2	7,8	10,2	SK 372.1 - 80 LP/4	17	B46
	37	193	0,9	38,12	5,1	10,2	7,9	10,2			
	42	171	1,1	33,84	5,3	10,2	8,0	10,2			
	47	152	1,2	30,11	5,3	10,2	8,0	10,2			
	55	131	1,5	25,85	5,5	10,2	8,0	10,2			
	62	116	1,7	23,00	5,5	10,2	8,0	10,2			
	69	104	1,8	20,62	5,4	10,2	8,0	10,2			
	77	93,1	2,1	18,40	5,5	10,2	8,0	10,2			
	86	83,5	2,3	16,50	5,4	10,2	8,0	10,2			
	97	73,7	2,6	14,57	5,4	10,2	7,8	10,2			
	109	65,6	3,0	12,96	5,3	10,2	7,5	10,2			
	122	58,5	3,2	11,55	5,3	10,2	7,2	10,2			
	138	52,0	3,7	10,28	5,2	10,2	7,0	10,2			
	151	47,6	4,0	9,40	5,1	10,2	6,8	10,2			
		63	113	0,8	22,42	2,8	3,9	-			
69		103	0,8	20,37	2,8	3,9	-	-			
76		94,1	0,9	18,60	2,8	3,9	-	-			
90		79,8	1,1	15,76	2,8	3,9	-	-			
104		68,5	1,2	13,54	2,8	3,9	-	-			
117		61,1	1,4	12,06	2,8	3,9	-	-			
124		57,7	1,5	11,39	2,8	3,9	-	-			
131		54,8	1,6	10,83	2,8	3,9	-	-			
145		49,6	1,7	9,79	2,8	3,9	-	-			
162		44,2	2,0	8,72	2,8	3,9	-	-			
181		39,6	2,1	7,83	2,8	3,9	-	-			
200		35,8	2,3	7,08	2,8	3,9	-	-			
220		32,6	2,5	6,43	2,8	3,9	-	-			
245		29,2	2,6	5,77	2,8	3,9	-	-			
275		26,0	3,2	5,14	2,8	3,9	-	-			
307		23,4	3,1	4,62	2,8	3,9	-	-			
339		21,1	3,1	4,17	2,8	3,9	-	-			
373		19,2	3,1	3,79	2,8	3,9	-	-			
409		17,5	3,1	3,46	2,8	3,9	-	-			
439		16,3	3,3	3,22	2,8	3,9	-	-			
485	14,8	3,4	2,92	2,8	3,9	-	-				
521	13,8	3,3	2,72	2,8	3,9	-	-				
568	12,6	3,4	2,49	2,8	3,9	-	-				
611	11,7	3,7	2,32	2,8	3,9	-	-				
1,10	3,1	3355	1,0	456,77	23,3	22,0	29,7	40,0	SK 973.1 - 90 SP/4	123	B59
	3,4	3046	1,1	414,73	24,1	22,0	30,2	40,0			
	3,9	2666	1,2	362,89	25,0	22,0	30,7	40,0			
	4,4	2391	1,4	325,47	25,6	22,0	31,0	40,0			
	4,8	2171	1,5	295,50	26,0	22,0	31,2	40,0			
	5,5	1899	1,7	258,57	26,5	22,0	31,5	40,0			
	6,1	1725	1,9	234,77	26,8	22,0	31,6	40,0			
	7,2	1451	2,3	197,50	27,3	22,0	31,9	40,0			
	5,0	2091	0,8	284,73	12,8	18,0	22,9	30,0	SK 873.1 - 90 SP/4	84	B57
	5,6	1892	0,9	257,61	14,4	18,0	23,8	30,0			
	6,2	1705	1,0	232,16	15,6	18,0	24,6	30,0			
	6,8	1550	1,1	210,95	16,5	18,0	25,0	30,0			
	7,5	1402	1,2	190,86	17,2	18,0	25,0	30,0			
	8,6	1215	1,4	165,42	18,0	18,0	25,0	30,0			
	9,5	1104	1,5	150,31	18,3	18,0	25,0	30,0			
	11	937	1,8	127,52	18,9	18,0	25,0	30,0			
	12	851	2,0	115,88	19,1	18,0	25,0	30,0			
	14	742	2,3	101,02	19,3	18,0	25,0	30,0			
	16	672	2,5	91,43	19,5	18,0	25,0	30,0			
	17	610	2,8	83,08	19,6	18,0	25,0	30,0			
	19	546	3,1	74,29	19,7	18,0	25,0	30,0			
	21	496	3,4	67,50	19,8	18,0	25,0	30,0			
	23	449	3,8	61,07	19,8	18,0	25,0	30,0			

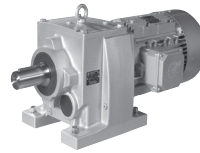


P ₁ [kW]	n ₂ [min ⁻¹]	M ₂ [Nm]	f _B	i _{ges}	F _R [kN]	F _A [kN]	F _{R VL} [kN]	F _{A VL} [kN]	Type	kg	mm 
1,10	10	1019	0,8	138,78	9,4	9,0	15,8	25,0	SK 773.1 - 90 SP/4	49	B55
	12	863	1,0	117,46	11,0	9,0	16,7	25,0			
	13	822	1,0	111,92	11,5	9,0	16,9	25,0			
	15	709	1,2	96,57	12,6	9,0	17,0	25,0			
	17	612	1,4	83,32	12,2	9,0	17,0	25,0			
	18	582	1,5	79,23	12,0	9,0	17,0	25,0			
	20	528	1,6	71,89	11,8	9,0	17,0	24,9			
	21	506	1,7	68,92	11,7	9,0	17,0	24,8			
	23	466	1,8	63,42	11,5	9,0	17,0	24,4			
	25	423	2,0	57,64	11,2	9,0	17,0	24,0			
	28	377	2,3	51,31	10,9	9,0	17,0	23,5			
	30	350	2,5	47,61	10,7	9,0	17,0	23,0			
	33	319	2,7	43,43	10,5	9,0	17,0	22,6			
	12	851	0,8	115,89	6,4	20,0	13,0	20,0	SK 673.1 - 90 SP/4	36	B53
	14	760	0,8	103,48	7,8	20,0	13,7	20,0			
	15	697	0,9	94,86	8,5	20,0	14,1	20,0			
	17	615	1,0	83,70	9,3	20,0	14,6	20,0			
	19	541	1,2	73,64	9,8	20,0	15,0	20,0			
	22	484	1,3	65,95	10,2	20,0	15,0	20,0			
	24	444	1,4	60,45	10,4	20,0	15,0	20,0			
	26	405	1,6	55,12	10,6	20,0	15,0	20,0			
	29	364	1,8	49,50	10,8	20,0	15,0	20,0			
	32	329	1,9	44,85	11,0	20,0	15,0	20,0			
	34	305	2,1	41,54	11,1	20,0	15,0	20,0			
	38	274	2,3	37,23	11,2	20,0	15,0	20,0			
	25	416	1,0	56,65	10,6	20,0	15,0	20,0			
	32	327	1,4	44,55	11,0	20,0	15,0	20,0			
	40	263	2,1	35,75	11,2	20,0	15,0	20,0			
	44	239	2,5	32,58	11,3	20,0	15,0	20,0			
	49	214	2,6	29,08	11,3	20,0	15,0	20,0			
	19	565	0,8	76,88	7,5	14,5	11,0	14,5	SK 573.1* - 90 SP/4	30	B49, B51
	21	497	0,9	67,64	8,5	14,5	11,0	14,5			
	23	448	1,0	60,97	9,2	14,5	11,0	14,5			
	26	410	1,1	55,80	9,5	14,5	11,0	14,5			
	29	364	1,2	49,60	9,7	14,5	11,0	14,5			
	30	352	1,3	47,95	9,8	14,5	11,0	14,5			
	33	319	1,4	43,40	9,9	14,5	11,0	14,5			
	34	310	1,5	42,18	9,9	14,5	11,0	14,5			
	38	279	1,6	38,02	10,0	14,5	11,0	14,5			
	41	256	1,7	34,80	10,1	14,5	11,0	14,5			
	46	227	1,9	30,93	10,2	14,5	11,0	14,5			
	26	400	0,9	54,41	9,6	15,0	11,0	15,0	SK 572.1* - 90 SP/4	30	B48, B50
	31	336	1,0	45,77	9,8	15,0	11,0	15,0			
	34	311	1,2	42,38	9,9	15,0	11,0	15,0			
	40	262	1,4	35,65	10,1	15,0	11,0	15,0			
	46	230	1,6	31,28	10,2	15,0	11,0	15,0			
	49	212	1,8	28,91	10,2	15,0	11,0	15,0			
	53	198	2,0	27,00	10,3	15,0	11,0	15,0			
	58	181	2,4	24,58	10,3	15,0	11,0	15,0			
	65	160	2,6	21,85	10,4	15,0	11,0	15,0			
	73	144	2,8	19,57	10,4	15,0	11,0	15,0			
	87	121	3,3	16,46	10,4	15,0	11,0	15,0			
	93	113	3,8	15,38	10,4	15,0	11,0	15,0			
	105	100	4,1	13,67	10,2	15,0	11,0	15,0			
	43	244	0,8	33,20	3,2	10,2	7,6	10,2			
	48	219	1,0	29,77	3,4	10,2	7,8	10,2			
	55	191	1,1	25,94	3,7	10,2	8,0	10,2			
	61	172	1,2	23,41	3,8	10,2	8,0	10,2			
	63	167	1,3	22,74	4,0	10,2	8,0	10,2			
	70	151	1,4	20,52	4,1	10,2	8,0	10,2			
	77	137	1,4	18,63	4,1	10,2	8,0	10,2			

NORDBLOC.1
helical gear units

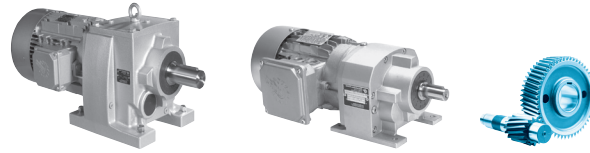
* ⇒  A8


1,10 kW
1,50 kW



NORDBLOC.1
helical gear units

P_1 [kW]	n_2 [min ⁻¹]	M_2 [Nm]	f_B	i_{ges}	F_R [kN]	F_A [kN]	F_{RVL} [kN]	F_{AVL} [kN]	Type	kg	mm 				
1,10	42	249	0,8	33,84	3,2	10,2	7,6	10,2	SK 372.1 - 90 SP/4	22	B46				
	47	221	0,8	30,11	3,5	10,2	7,8	10,2							
	55	190	1,0	25,85	3,9	10,2	8,0	10,2							
	62	169	1,2	23,00	4,1	10,2	8,0	10,2							
	69	152	1,3	20,62	4,1	10,2	8,0	10,2							
	78	135	1,5	18,40	4,3	10,2	8,0	10,2							
	87	121	1,6	16,50	4,4	10,2	7,8	10,2							
	98	107	1,8	14,57	4,6	10,2	7,5	10,2							
	110	95,2	2,1	12,96	4,5	10,2	7,3	10,2							
	124	84,9	2,2	11,55	4,6	10,2	7,0	10,2							
	139	75,5	2,5	10,28	4,5	10,2	6,8	10,2							
	152	69,0	2,8	9,40	4,5	10,2	6,6	10,2							
	174	60,4	3,0	8,22	4,5	10,2	6,4	10,2							
	198	53,1	3,2	7,23	4,4	10,2	6,1	10,2							
	208	50,6	3,4	6,89	4,4	10,2	6,1	10,2							
	217	48,3	3,3	6,58	4,4	10,2	6,0	10,2							
	240	43,7	3,7	5,95	4,3	10,2	5,8	10,2							
	273	38,5	4,2	5,24	4,2	10,2	5,6	10,2							
		126	83,7	1,0	11,39	2,8	3,9	-				-	SK 172.1 - 90 SP/4	19	B45
		146	71,9	1,2	9,79	2,8	3,9	-				-			
164		64,1	1,4	8,72	2,8	3,9	-	-							
183		57,5	1,4	7,83	2,8	3,9	-	-							
202		52,0	1,6	7,08	2,8	3,9	-	-							
222		47,3	1,7	6,43	2,8	3,9	-	-							
248		42,4	1,8	5,77	2,8	3,9	-	-							
278		37,8	2,2	5,14	2,8	3,9	-	-							
310		33,9	2,1	4,62	2,8	3,9	-	-							
343		30,6	2,1	4,17	2,8	3,9	-	-							
377		27,8	2,1	3,79	2,8	3,9	-	-							
413		25,4	2,1	3,46	2,8	3,9	-	-							
444		23,7	2,3	3,22	2,8	3,9	-	-							
490		21,4	2,3	2,92	2,8	3,9	-	-							
526		20,0	2,3	2,72	2,8	3,9	-	-							
574		18,3	2,4	2,49	2,8	3,9	-	-							
617		17,0	2,5	2,32	2,8	3,8	-	-							
1,50	3,4	4198	0,8	414,73	18,5	22,0	28,4	40,0	SK 973.1 - 90 LP/4	124	B59				
	3,9	3674	0,9	362,89	22,4	22,0	29,3	40,0							
	4,3	3295	1,0	325,47	23,4	22,0	29,8	40,0							
	4,8	2991	1,1	295,50	24,2	22,0	30,2	40,0							
	5,5	2617	1,3	258,57	25,1	22,0	30,7	40,0							
	6,0	2377	1,4	234,77	25,6	22,0	31,0	40,0							
	7,2	1999	1,7	197,50	26,3	22,0	31,4	40,0							
	7,9	1815	1,8	179,32	26,6	22,0	31,5	40,0							
	8,2	1757	1,7	173,58	26,8	22,0	31,6	40,0							
	9,0	1595	1,9	157,60	27,0	22,0	31,7	40,0							
	11	1341	2,5	132,45	27,4	22,0	31,9	40,0							
	12	1217	2,7	120,26	27,6	22,0	32,0	40,0							
	13	1065	3,0	105,23	27,8	22,0	32,1	40,0							
15	961	3,4	94,96	28,0	22,0	32,2	40,0								
16	873	3,8	86,22	28,1	22,0	32,3	40,0								
	6,7	2135	0,8	210,95	12,3	18,0	22,6	30,0	SK 873.1 - 90 LP/4	85	B57				
	7,4	1932	0,9	190,86	14,0	18,0	23,6	30,0							
	8,6	1675	1,0	165,42	15,8	18,0	24,7	30,0							
	9,4	1522	1,1	150,31	16,6	18,0	25,0	30,0							
	10	1377	1,2	135,99	17,3	18,0	25,0	30,0							
	11	1291	1,3	127,52	17,6	18,0	25,0	30,0							
	12	1173	1,4	115,88	18,1	18,0	25,0	30,0							
	13	1061	1,6	104,84	18,5	18,0	25,0	30,0							
	14	1023	1,7	101,02	18,6	18,0	25,0	30,0							
	15	926	1,8	91,43	18,9	18,0	25,0	30,0							
	17	841	2,0	83,08	19,1	18,0	25,0	30,0							
	19	752	2,3	74,29	19,3	18,0	25,0	30,0							
	21	683	2,5	67,50	19,4	18,0	25,0	30,0							
	23	618	2,7	61,07	19,6	18,0	25,0	30,0							
	26	560	3,0	55,35	19,6	18,0	25,0	30,0							
	28	509	3,3	50,32	19,1	18,0	25,0	30,0							
	31	461	3,7	45,53	18,6	18,0	25,0	30,0							

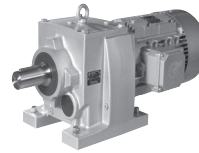
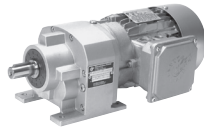


P ₁ [kW]	n ₂ [min ⁻¹]	M ₂ [Nm]	f _B	i _{ges}	F _R [kN]	F _A [kN]	F _{R VL} [kN]	F _{A VL} [kN]	Type	kg	mm 
1,50	13	1133	0,8	111,92	8,0	9,0	15,1	23,7	SK 773.1 - 90 LP/4	50	B55
	15	978	0,9	96,57	9,9	9,0	16,0	23,6			
	17	843	1,0	83,32	11,3	9,0	16,8	23,5			
	18	802	1,1	79,23	11,3	9,0	17,0	23,2			
	20	728	1,2	71,89	11,1	9,0	17,0	23,2			
	21	698	1,2	68,92	11,0	9,0	17,0	23,1			
	22	642	1,3	63,42	10,9	9,0	17,0	22,9			
	25	584	1,5	57,64	10,7	9,0	17,0	22,6			
	28	519	1,6	51,31	10,4	9,0	17,0	22,2			
	30	482	1,8	47,61	10,2	9,0	17,0	21,9			
	33	440	2,0	43,43	10,0	9,0	17,0	21,6			
	36	395	2,1	39,06	9,8	9,0	17,0	21,3			
	40	362	2,3	35,77	9,6	9,0	17,0	20,9			
	44	322	2,5	31,83	9,3	9,0	16,8	20,4			
49	290	2,8	28,63	9,1	9,0	16,5	20,0				
	53	272	3,0	26,86	9,0	9,0	16,3	19,8	SK 772.1 - 90 LP/4	49	B54
	58	247	3,3	24,41	8,8	9,0	16,0	19,4			
	17	847	0,8	83,70	6,4	20,0	13,0	20,0	SK 673.1 - 90 LP/4	38	B53
	19	745	0,9	73,64	7,9	20,0	13,8	20,0			
	21	668	1,0	65,95	8,8	20,0	14,3	20,0			
	23	612	1,0	60,45	9,3	20,0	14,6	20,0			
	26	558	1,1	55,12	9,7	20,0	14,9	20,0			
	29	501	1,3	49,50	10,1	20,0	15,0	20,0			
	32	454	1,4	44,85	10,4	20,0	15,0	20,0			
	34	420	1,5	41,54	10,6	20,0	15,0	20,0			
	38	377	1,7	37,23	10,8	20,0	15,0	20,0			
	41	345	1,7	34,12	10,9	20,0	15,0	20,0			
	46	313	1,7	30,92	11,0	20,0	15,0	20,0			
	51	279	1,9	27,61	11,2	20,0	15,0	20,0			
	56	255	2,0	25,19	11,2	20,0	15,0	20,0			
	62	231	1,9	22,82	11,3	20,0	15,0	20,0			
	32	451	1,0	44,55	10,4	20,0	15,0	20,0	SK 672.1 - 90 LP/4	37	B52
	40	362	1,5	35,75	10,8	20,0	15,0	20,0			
	43	330	1,8	32,58	11,0	20,0	15,0	20,0			
	49	294	1,9	29,08	11,1	20,0	15,0	20,0			
	25	565	0,8	55,80	7,5	14,5	11,0	14,5	SK 573.1* - 90 LP/4	32	B49, B51
	29	502	0,9	49,60	8,2	14,5	11,0	14,5			
	30	485	0,9	47,95	8,4	14,5	11,0	14,5			
	33	439	1,0	43,40	8,8	14,5	11,0	14,5			
	34	427	1,1	42,18	8,9	14,5	11,0	14,5			
	37	385	1,2	38,02	9,2	14,5	11,0	14,5			
	41	352	1,2	34,80	9,5	14,5	11,0	14,5			
	46	313	1,4	30,93	9,6	14,5	11,0	14,5			
	53	271	1,6	26,77	9,8	14,5	11,0	14,5			
	59	241	1,8	23,79	9,8	14,5	11,0	14,5			
	66	216	2,0	21,32	9,7	14,5	11,0	14,5			
	33	429	0,9	42,38	9,4	15,0	11,0	15,0	SK 572.1* - 90 LP/4	31	B48, B50
	40	361	1,0	35,65	9,7	15,0	11,0	15,0			
	45	317	1,2	31,28	9,9	15,0	11,0	15,0			
	49	293	1,3	28,91	9,9	15,0	11,0	15,0			
	52	273	1,5	27,00	9,8	15,0	11,0	15,0			
	58	249	1,7	24,58	9,9	15,0	11,0	15,0			
	65	221	1,9	21,85	9,8	15,0	11,0	15,0			
	72	198	2,0	19,57	10,0	15,0	11,0	15,0			
	86	167	2,4	16,46	9,8	15,0	11,0	15,0			
	92	156	2,8	15,38	9,6	15,0	11,0	15,0			
	104	138	3,0	13,67	9,5	15,0	11,0	15,0			
	112	128	3,3	12,68	9,4	15,0	11,0	15,0			
	126	114	3,6	11,25	9,3	15,0	11,0	15,0			
	141	102	3,9	10,04	9,1	15,0	11,0	15,0			
	55	263	0,8	25,94	1,8	10,2	7,4	10,2	SK 373.1 - 90 LP/4	24	B47
	60	237	0,9	23,41	2,1	10,2	7,6	10,2			
	62	230	0,9	22,74	2,3	10,2	7,7	10,2			
	69	208	1,0	20,52	2,5	10,2	7,8	10,2			
	76	189	1,0	18,63	2,7	10,2	7,7	10,2			

NORDBLOC.1
helical gear units

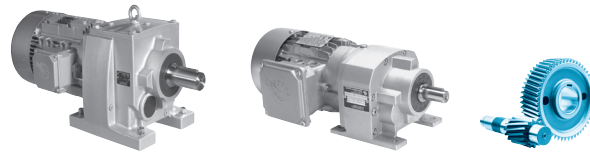
* ⇒ A8


1,50 kW
2,20 kW



NORDBLOC.1
helical gear units

P ₁ [kW]	n ₂ [min ⁻¹]	M ₂ [Nm]	f _B	i _{ges}	F _R [kN]	F _A	F _{R VL} [kN]	F _{A VL}	Type	kg	mm
1,50	62	233	0,9	23,00	2,4	10,2	7,7	10,2	SK 372.1 - 90 LP/4	24	B46
	69	209	0,9	20,62	2,6	10,2	7,8	10,2			
	77	186	1,1	18,40	3,0	10,2	7,7	10,2			
	86	167	1,1	16,50	3,1	10,2	7,5	10,2			
	97	147	1,3	14,57	3,5	10,2	7,3	10,2			
	109	131	1,5	12,96	3,6	10,2	7,1	10,2			
	122	117	1,6	11,55	3,8	10,2	6,9	10,2			
	138	104	1,8	10,28	3,8	10,2	6,7	10,2			
	151	95,2	2,0	9,40	3,9	10,2	6,5	10,2			
	172	83,3	2,2	8,22	3,9	10,2	6,3	10,2			
	196	73,2	2,3	7,23	3,9	10,2	6,1	10,2			
	205	69,7	2,4	6,89	4,0	10,2	6,0	10,2			
	215	66,6	2,4	6,58	4,0	10,2	5,9	10,2			
	238	60,2	2,7	5,95	3,9	10,2	5,7	10,2			
	270	53,1	3,0	5,24	3,9	10,1	5,5	10,1			
	303	47,2	3,0	4,66	3,8	9,7	5,3	9,7			
	338	42,3	3,1	4,18	3,7	9,4	5,1	9,4			
	375	38,2	3,1	3,78	3,6	9,1	5,0	9,1			
	413	34,7	3,2	3,43	3,6	8,8	4,8	8,8			
	453	31,6	3,2	3,12	3,5	8,6	4,7	8,6			
495	28,9	3,1	2,86	3,4	8,3	4,6	8,3				
539	26,6	3,4	2,62	3,4	8,0	4,4	8,0				
1,50	145	99,1	0,9	9,79	2,8	3,9	-	-	SK 172.1 - 90 LP/4	21	B45
	162	88,3	1,0	8,72	2,8	3,9	-	-			
	181	79,3	1,0	7,83	2,8	3,9	-	-			
	200	71,7	1,1	7,08	2,8	3,9	-	-			
	220	65,1	1,3	6,43	2,8	3,9	-	-			
	245	58,4	1,3	5,77	2,8	3,9	-	-			
	275	52,0	1,6	5,14	2,8	3,9	-	-			
	307	46,7	1,5	4,62	2,8	3,9	-	-			
	339	42,2	1,5	4,17	2,8	3,9	-	-			
	373	38,4	1,5	3,79	2,8	3,9	-	-			
	409	35,0	1,5	3,46	2,8	3,9	-	-			
	439	32,6	1,7	3,22	2,8	3,9	-	-			
	485	29,5	1,7	2,92	2,8	3,9	-	-			
	521	27,5	1,7	2,72	2,8	3,9	-	-			
	568	25,2	1,7	2,49	2,8	3,8	-	-			
	611	23,5	1,8	2,32	2,8	3,7	-	-			
	2,20	5,0	4238	0,8	295,50	17,5	22,0	28,2			
5,7		3708	0,9	258,57	22,1	22,0	29,1	40,0			
6,2		3367	1,0	234,77	23,1	22,0	29,6	40,0			
7,4		2832	1,2	197,50	24,5	22,0	30,4	40,0			
8,2		2571	1,3	179,32	25,1	22,0	30,7	40,0			
8,4		2489	1,2	173,58	25,3	22,0	30,8	40,0			
9,3		2260	1,3	157,60	25,7	22,0	31,1	40,0			
11		1899	1,7	132,45	26,5	22,0	31,4	40,0			
12		1725	1,9	120,26	26,8	22,0	31,6	40,0			
14		1509	2,1	105,23	27,1	22,0	31,8	40,0			
15		1362	2,4	94,96	27,4	22,0	31,9	40,0			
17		1236	2,7	86,22	27,6	22,0	32,0	40,0			
19		1082	3,1	75,44	27,8	22,0	32,1	40,0			
21		982	3,4	68,50	27,9	22,0	32,2	40,0			
22		946	3,4	65,98	28,0	22,0	32,2	40,0			
24		859	3,7	59,91	28,1	22,0	32,3	40,0			
2,20		9,7	2155	0,8	150,31	11,8	18,0	22,4	30,0	SK 873.1 - 100 LP/4	96
	11	1950	0,9	135,99	13,7	18,0	23,4	30,0			
	13	1662	1,0	115,88	15,7	18,0	24,7	30,0			
	14	1503	1,1	104,84	16,6	18,0	25,0	30,0			
	15	1449	1,2	101,02	16,9	18,0	25,0	30,0			
	16	1311	1,3	91,43	17,5	18,0	25,0	30,0			
	18	1191	1,4	83,08	18,0	18,0	25,0	30,0			
	20	1065	1,6	74,29	18,4	18,0	25,0	30,0			
	22	968	1,8	67,50	18,7	18,0	25,0	30,0			
	24	876	1,9	61,07	19,0	18,0	25,0	30,0			
	26	794	2,1	55,35	18,7	18,0	25,0	30,0			
	29	722	2,4	50,32	18,3	18,0	25,0	30,0			
	32	653	2,6	45,53	17,8	18,0	25,0	30,0			

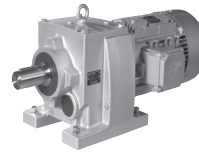
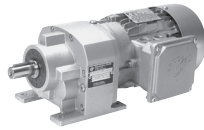


P ₁ [kW]	n ₂ [min ⁻¹]	M ₂ [Nm]	f _B	i _{ges}	F _R [kN]	F _A [kN]	F _{R VL} [kN]	F _{A VL} [kN]	Type	kg	mm 
2,20	34	612	2,3	42,67	17,6	18,0	25,0	30,0	SK 872.1 - 100 LP/4	94	B56
	38	556	2,3	38,77	17,1	18,0	25,0	30,0			
	42	503	2,4	35,08	16,7	18,0	25,0	30,0			
	18	1136	0,8	79,23	7,7	9,0	14,9	19,7	SK 773.1 - 100 LP/4	62	B55
	20	1031	0,8	71,89	9,0	9,0	15,6	20,0			
	21	988	0,9	68,92	9,3	9,0	15,9	20,1			
	23	910	0,9	63,42	9,7	9,0	16,4	20,1			
	25	827	1,0	57,64	9,6	9,0	16,6	20,1			
	29	736	1,2	51,31	9,5	9,0	16,5	20,0			
	31	683	1,3	47,61	9,4	9,0	16,3	19,7			
	34	623	1,4	43,43	9,2	9,0	16,2	19,6			
	38	560	1,5	39,06	9,1	9,0	16,1	19,5			
	41	513	1,6	35,77	8,9	9,0	15,9	19,2			
	46	457	1,8	31,83	8,7	9,0	15,6	18,9			
	51	411	2,0	28,63	8,6	9,0	15,4	18,7			
	55	385	2,1	26,86	8,5	9,0	15,3	18,6	SK 772.1 - 100 LP/4	60	B54
	60	350	2,3	24,41	8,3	9,0	15,0	18,2			
	27	790	0,8	55,12	7,2	20,0	13,4	20,0	SK 673.1 - 100 LP/4	49	B53
	30	710	0,9	49,50	8,2	20,0	13,9	20,0			
	33	643	1,0	44,85	8,9	20,0	14,4	20,0			
	35	596	1,1	41,54	9,3	20,0	14,6	20,0			
	39	534	1,2	37,23	9,8	20,0	15,0	20,0			
	43	489	1,2	34,12	10,1	20,0	15,0	20,0			
	47	443	1,2	30,92	10,4	20,0	15,0	20,0			
	53	396	1,3	27,61	10,7	20,0	15,0	20,0			
	58	361	1,4	25,19	10,8	20,0	15,0	20,0			
	64	327	1,4	22,82	11,0	20,0	15,0	20,0			
	45	467	1,3	32,58	10,3	20,0	15,0	20,0	SK 672.1 - 100 LP/4	48	B52
	50	417	1,3	29,08	10,6	20,0	15,0	20,0			
	56	376	1,6	26,23	10,8	20,0	15,0	20,0			
	63	336	1,8	23,41	10,9	20,0	15,0	20,0			
	71	296	2,1	20,62	11,1	20,0	15,0	20,0			
	80	264	2,3	18,41	11,2	20,0	15,0	20,0			
	85	247	2,5	17,25	11,2	20,0	15,0	20,0			
	39	545	0,8	38,02	5,4	14,5	11,0	14,5	SK 573.1* - 100 LP/4	43	B49, B51
	42	499	0,9	34,80	6,1	14,5	11,0	14,5			
	47	444	1,0	30,93	6,5	14,5	11,0	14,5			
	55	384	1,1	26,77	7,2	14,5	11,0	14,5			
	62	341	1,3	23,79	7,4	14,5	11,0	14,5			
	69	306	1,4	21,32	7,5	14,5	11,0	14,5			
	76	276	1,6	19,22	7,5	14,5	11,0	14,5			
	84	250	1,7	17,42	7,5	14,5	11,0	14,5			
	47	449	0,8	31,28	7,1	15,0	11,0	15,0	SK 572.1* - 100 LP/4	42	B48, B50
	60	352	1,2	24,58	7,4	15,0	11,0	15,0			
	67	313	1,3	21,85	7,6	15,0	11,0	15,0			
	75	281	1,4	19,57	8,2	15,0	11,0	15,0			
	89	236	1,7	16,46	8,2	15,0	11,0	15,0			
	95	220	2,0	15,38	8,1	15,0	11,0	15,0			
	107	196	2,1	13,67	8,1	15,0	11,0	15,0			
	116	182	2,4	12,68	8,1	15,0	11,0	15,0			
	130	161	2,5	11,25	8,1	15,0	11,0	15,0			
	146	144	2,8	10,04	8,1	15,0	11,0	15,0			
	164	128	2,9	8,92	7,9	15,0	11,0	15,0			
	180	117	3,1	8,15	8,0	15,0	10,9	15,0			
	196	107	3,3	7,49	7,9	15,0	10,7	15,0			
	233	90,4	3,5	6,30	7,7	15,0	10,1	15,0			
	249	84,4	3,6	5,88	7,5	15,0	9,9	15,0			

NORDBLOC.1
helical gear units

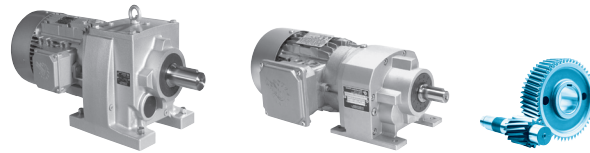
* ⇨ A8


2,20 kW
3,00 kW



NORDBLOC.1
helical gear units

P ₁ [kW]	n ₂ [min ⁻¹]	M ₂ [Nm]	f _B	i _{ges}	F _R [kN]	F _A [kN]	F _{R VL} [kN]	F _{A VL} [kN]	Type	kg	mm 				
2,20	127	166	1,1	11,55	2,4	10,2	6,5	10,2	SK 372.1 - 100 LP/4	35	B46				
	143	147	1,3	10,28	2,5	10,2	6,3	10,2							
	156	135	1,4	9,40	2,8	10,2	6,2	10,2							
	178	118	1,5	8,22	2,9	10,2	6,0	10,2							
	203	104	1,6	7,23	3,1	10,2	5,8	10,2							
	213	98,8	1,7	6,89	3,1	10,2	5,8	10,2							
	223	94,4	1,7	6,58	3,2	10,2	5,7	10,2							
	246	85,3	1,9	5,95	3,2	10,1	5,5	10,1							
	279	75,2	2,1	5,24	3,2	9,7	5,3	9,7							
	314	66,9	2,1	4,66	3,2	9,4	5,2	9,4							
	350	60,0	2,2	4,18	3,2	9,1	5,0	9,1							
	388	54,1	2,2	3,78	3,1	8,8	4,8	8,8							
	428	49,1	2,2	3,43	3,1	8,6	4,7	8,6							
	469	44,8	2,2	3,12	3,1	8,3	4,6	8,3							
	513	41,0	2,2	2,86	3,0	8,0	4,5	8,0							
	558	37,6	2,4	2,62	3,0	7,7	4,3	7,7							
	3,00	7,4	3875	0,9	197,50	20,5	22,0	28,8				40,0	SK 973.1 - 100 AP/4	136	B59
8,1		3518	0,9	179,32	22,5	22,0	29,3	40,0							
8,4		3406	0,9	173,58	22,9	22,0	29,5	40,0							
9,3		3092	1,0	157,60	23,7	22,0	30,0	40,0							
11		2599	1,3	132,45	25,0	22,0	30,6	40,0							
12		2360	1,4	120,26	25,5	22,0	30,9	40,0							
14		2065	1,5	105,23	26,1	22,0	31,3	40,0							
15		1863	1,8	94,96	26,5	22,0	31,5	40,0							
17		1692	2,0	86,22	26,8	22,0	31,6	40,0							
19		1514	2,2	77,16	27,1	22,0	31,8	40,0							
21		1344	2,5	68,50	27,4	22,0	31,9	40,0							
22		1295	2,5	65,98	27,5	22,0	32,0	40,0							
24		1176	2,7	59,91	27,6	22,0	32,0	40,0							
26		1092	2,9	55,66	27,7	22,0	32,1	40,0							
28		1027	3,1	52,32	27,8	22,0	32,1	40,0							
31		934	3,4	47,60	28,0	22,0	32,2	40,0							
34		834	3,8	42,51	28,1	22,0	32,3	40,0							
		14	1982	0,9	101,02	12,5	18,0	22,8	30,0	SK 873.1 - 100 AP/4	96	B57			
		16	1794	0,9	91,43	14,7	18,0	24,0	30,0						
		18	1630	1,0	83,08	15,8	18,0	24,7	30,0						
	20	1458	1,2	74,29	16,7	18,0	25,0	30,0							
	22	1324	1,3	67,50	17,4	18,0	25,0	30,0							
	24	1198	1,4	61,07	17,9	18,0	25,0	30,0							
	26	1086	1,6	55,35	17,9	18,0	25,0	30,0							
	29	987	1,7	50,32	17,5	18,0	25,0	30,0							
	32	893	1,9	45,53	17,1	18,0	25,0	30,0							
	37	779	2,2	39,68	16,6	18,0	25,0	30,0							
	41	699	2,4	35,63	16,2	18,0	25,0	30,0							
	45	633	2,7	32,24	15,8	18,0	25,0	30,0							
	48	598	2,8	30,47	15,6	18,0	25,0	30,0							
	53	541	3,0	27,57	15,2	18,0	25,0	30,0							
	56	509	3,2	25,69	15,0	18,0	25,0	30,0							
	62	461	3,6	23,49	14,6	18,0	25,0	30,0							
	34	837	1,7	42,67	16,9	18,0	25,0	30,0	SK 872.1 - 100 AP/4	94	B56				
	38	761	1,7	38,77	16,5	18,0	25,0	30,0							
	42	688	1,7	35,08	16,1	18,0	25,0	30,0							
	25	1131	0,8	57,64	6,1	7,5	14,2	17,2	SK 773.1 - 100 AP/4	62	B55				
	28	1007	0,8	51,31	6,9	8,2	14,4	17,4							
	31	934	0,9	47,61	7,1	8,3	14,3	17,3							
	34	852	1,0	43,43	7,6	8,6	14,4	17,4							
	37	766	1,1	39,06	8,3	9,0	14,5	17,6							
	41	702	1,2	35,77	8,2	9,0	14,4	17,4							
	46	625	1,3	31,83	8,1	9,0	14,3	17,3							
	51	562	1,5	28,63	8,0	9,0	14,3	17,3							
	57	498	1,6	25,39	7,9	9,0	14,1	17,1							
	60	475	1,6	24,23	7,8	9,0	14,0	16,9							
	68	422	1,8	21,49	7,6	9,0	13,8	16,7							

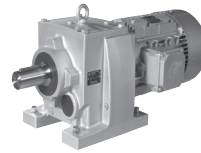


P ₁ [kW]	n ₂ [min ⁻¹]	M ₂ [Nm]	f _B	i _{ges}	F _R [kN]	F _A [kN]	F _{R VL} [kN]	F _{A VL} [kN]	Type	kg	mm 
3,00	54	527	1,6	26,86	8,0	9,0	14,3	17,3	SK 772.1 - 100 AP/4	60	B54
	60	479	1,7	24,41	7,8	9,0	14,1	17,1			
	72	399	2,1	20,31	7,6	9,0	13,8	16,7			
	79	362	2,2	18,46	7,4	9,0	13,6	16,4			
	88	327	2,4	16,66	7,2	9,0	13,3	16,2			
	93	307	2,5	15,62	7,1	9,0	13,1	15,9			
	35	815	0,8	41,54	6,6	20,0	13,1	20,0	SK 673.1 - 100 AP/4	49	B53
	39	731	0,9	37,23	7,9	20,0	13,7	20,0			
	43	670	0,9	34,12	8,6	20,0	14,2	20,0			
	47	607	0,9	30,92	9,2	20,0	14,5	20,0			
	53	542	1,0	27,61	9,7	20,0	14,9	20,0			
	58	494	1,0	25,19	10,1	20,0	15,0	20,0			
	64	448	1,0	22,82	10,4	20,0	15,0	20,0			
	45	639	1,0	32,58	8,9	20,0	14,4	20,0	SK 672.1 - 100 AP/4	48	B52
	50	571	1,0	29,08	9,5	20,0	14,7	20,0			
	56	515	1,2	26,23	9,9	20,0	15,0	20,0			
	62	459	1,3	23,41	10,3	20,0	15,0	20,0			
	71	405	1,5	20,62	10,6	20,0	15,0	20,0			
	79	361	1,7	18,41	10,8	20,0	15,0	20,0			
	85	338	1,8	17,25	10,9	20,0	15,0	20,0			
	95	301	2,0	15,35	11,1	20,0	15,0	20,0			
	107	269	2,2	13,70	11,2	20,0	15,0	20,0			
	116	246	2,3	12,56	11,2	20,0	15,0	20,0			
	128	223	2,6	11,38	11,3	20,0	15,0	20,0			
	141	203	2,8	10,37	11,4	20,0	14,8	20,0			
	55	525	0,8	26,77	4,1	14,5	11,0	14,5	SK 573.1* - 100 AP/4	43	B49, B51
	61	467	0,9	23,79	4,6	14,5	11,0	14,5			
	68	418	1,0	21,32	4,9	14,5	11,0	14,5			
	76	377	1,1	19,22	5,2	14,5	11,0	14,5			
	84	342	1,3	17,42	5,3	14,5	11,0	14,5			
	59	482	0,9	24,58	4,6	15,0	11,0	15,0	SK 572.1* - 100 AP/4	42	B48, B50
	67	429	1,0	21,85	5,0	15,0	11,0	15,0			
	75	384	1,0	19,57	6,0	15,0	11,0	15,0			
	89	323	1,2	16,46	6,4	15,0	11,0	15,0			
	95	302	1,4	15,38	6,4	15,0	11,0	15,0			
	107	268	1,5	13,67	6,5	15,0	11,0	15,0			
	115	249	1,7	12,68	6,7	15,0	11,0	15,0			
	130	221	1,9	11,25	6,8	15,0	11,0	15,0			
	145	197	2,0	10,04	6,9	15,0	11,0	15,0			
	164	175	2,1	8,92	6,9	15,0	11,0	15,0			
	179	160	2,3	8,15	7,1	15,0	10,8	15,0			
	195	147	2,4	7,49	7,1	15,0	10,5	15,0			
	232	124	2,6	6,30	7,0	15,0	10,0	15,0			
	248	115	2,6	5,88	6,9	15,0	9,8	15,0			
	279	103	2,6	5,23	6,7	15,0	9,4	15,0			
	312	91,9	2,7	4,69	6,6	15,0	9,1	15,0			
	346	82,9	2,8	4,22	6,5	15,0	8,8	15,0			
	381	75,1	2,9	3,83	6,3	15,0	8,6	15,0			
	447	64,1	3,0	3,27	6,1	14,5	8,2	14,5			
	499	57,4	3,0	2,92	6,0	13,7	7,9	13,7			
	126	227	0,8	11,55	0,7	10,2	6,2	10,2	SK 372.1 - 100 AP/4	35	B46
	142	202	0,9	10,28	1,0	10,2	6,0	10,2			
	155	184	1,0	9,40	1,4	10,2	5,9	10,2			
	178	161	1,1	8,22	1,8	10,2	5,8	10,2			
	202	142	1,2	7,23	2,0	10,1	5,6	10,1			
	212	135	1,3	6,89	2,2	10,1	5,6	10,1			
	222	129	1,2	6,58	2,3	10,0	5,5	10,0			
	245	117	1,4	5,95	2,4	9,7	5,4	9,7			
	279	103	1,6	5,24	2,5	9,4	5,2	9,4			
	313	91,5	1,5	4,66	2,5	9,1	5,0	9,1			
	349	82,1	1,6	4,18	2,6	8,9	4,9	8,9			
	387	74,1	1,6	3,78	2,6	8,6	4,7	8,6			
	426	67,2	1,6	3,43	2,6	8,4	4,6	8,4			
	467	61,3	1,6	3,12	2,6	8,1	4,5	8,1			
	511	56,1	1,6	2,86	2,6	7,8	4,4	7,8			
	556	51,5	1,7	2,62	2,6	7,5	4,3	7,5			

NORDBLOC.1
helical gear units

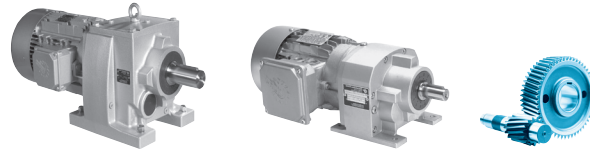
* ⇒  A8


4,00 kW



NORDBLOC.1
helical gear units

P ₁ [kW]	n ₂ [min ⁻¹]	M ₂ [Nm]	f _B	i _{ges}	F _R [kN]	F _A [kN]	F _{R VL} [kN]	F _{A VL} [kN]	Type	kg	mm 				
4,00	11	3513	0,9	132,45	22,8	22,0	29,5	40,0	SK 973.1 - 112 MP/4	143	B59				
	12	3190	1,0	120,26	23,7	22,0	30,0	40,0							
	14	2791	1,1	105,23	24,7	22,0	30,5	40,0							
	15	2519	1,3	94,96	25,3	22,0	30,8	40,0							
	17	2287	1,4	86,22	25,7	22,0	31,1	40,0							
	19	2047	1,6	77,16	26,2	22,0	31,3	40,0							
	21	1817	1,8	68,50	26,6	22,0	31,5	40,0							
	22	1750	1,8	65,98	26,8	22,0	31,6	40,0							
	24	1589	2,0	59,91	27,0	22,0	31,7	40,0							
	26	1476	2,2	55,66	27,2	22,0	31,8	40,0							
	28	1388	2,3	52,32	27,3	22,0	31,9	40,0							
	30	1263	2,5	47,60	27,5	22,0	32,0	40,0							
		34	1134	2,6	42,76	27,8	22,0	32,1				40,0	SK 972.1 - 112 MP/4	141	B58
		17	2204	0,8	83,08	11,6	18,0	22,3				30,0	SK 873.1 - 112 MP/4	104	B57
		19	1970	0,9	74,29	13,7	18,0	23,4				30,0			
		21	1790	0,9	67,50	15,0	18,0	24,2				30,0			
		24	1620	1,0	61,07	16,1	18,0	24,9				30,0			
		26	1468	1,2	55,35	16,7	18,0	25,0				30,0			
		29	1335	1,3	50,32	16,4	18,0	25,0				30,0			
		32	1208	1,4	45,53	16,1	18,0	25,0				30,0			
		36	1053	1,6	39,68	15,7	18,0	25,0				30,0			
		40	945	1,8	35,63	15,4	18,0	25,0				30,0			
		45	855	2,0	32,24	15,1	18,0	25,0				30,0			
		47	808	2,1	30,47	14,9	18,0	25,0				30,0			
		34	1132	1,2	42,67	16,0	18,0	25,0				30,0	SK 872.1 - 112 MP/4	102	B56
		37	1028	1,3	38,77	15,7	18,0	25,0				30,0			
		41	930	1,3	35,08	15,4	18,0	25,0				30,0			
		45	849	1,9	32,00	15,1	18,0	25,0				30,0			
		50	771	2,0	29,08	14,8	18,0	25,0				30,0			
		77	495	3,1	18,67	13,3	18,0	23,6				30,0			
	85	450	3,4	16,96	12,9	18,0	23,0	30,0							
	95	403	3,7	15,18	12,6	18,0	22,3	30,0							
	104	366	4,0	13,79	12,2	18,0	21,8	30,0							
	33	1152	0,8	43,43	4,0	5,5	12,1	14,7	SK 773.1 - 112 MP/4	69	B55				
	37	1036	0,8	39,06	5,1	6,4	12,5	15,2							
	40	949	0,9	35,77	5,4	6,6	12,5	15,2							
	45	844	1,0	31,83	6,1	7,1	12,7	15,3							
	50	759	1,1	28,63	6,8	7,6	12,8	15,5							
	57	674	1,2	25,39	7,2	8,0	12,8	15,5							
	59	643	1,2	24,23	7,1	7,9	12,7	15,4							
	67	570	1,3	21,49	7,0	8,1	12,7	15,3							
	54	712	1,2	26,86	7,1	7,9	12,9	15,6	SK 772.1 - 112 MP/4	68	B54				
	59	648	1,3	24,41	7,2	8,0	12,8	15,5							
	71	539	1,5	20,31	7,0	8,4	12,8	15,4							
	78	490	1,6	18,46	6,9	8,4	12,6	15,3							
	86	442	1,7	16,66	6,8	8,5	12,5	15,1							
	92	414	1,8	15,62	6,7	8,4	12,3	14,9							
	100	381	1,9	14,38	6,6	8,6	12,3	14,9							
	110	347	2,0	13,07	6,5	8,5	12,1	14,6							
	123	309	2,2	11,67	6,4	8,5	11,9	14,4							
	130	293	2,4	11,06	6,3	8,3	11,7	14,2							
	136	281	2,4	10,60	6,2	8,4	11,7	14,2							
	70	547	1,1	20,62	9,8	20,0	14,9	20,0				SK 672.1 - 112 MP/4	56	B52	
	78	488	1,2	18,41	10,2	20,0	15,0	20,0							
	83	458	1,3	17,25	10,4	20,0	15,0	20,0							
	94	407	1,5	15,35	10,6	20,0	15,0	20,0							
	105	364	1,6	13,70	10,8	20,0	15,0	20,0							
	115	333	1,7	12,56	11,0	20,0	15,0	20,0							
	127	302	1,9	11,38	11,1	20,0	14,8	20,0							
	139	275	2,1	10,37	11,2	20,0	14,4	20,0							
	156	245	2,2	9,25	11,3	20,0	14,0	20,0							
	166	230	2,3	8,66	11,3	20,0	13,7	20,0							
	170	225	2,4	8,48	11,3	20,0	13,6	20,0							
	187	204	2,6	7,68	11,4	20,0	13,2	20,0							

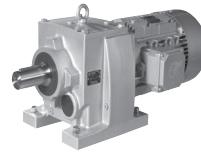


P ₁ [kW]	n ₂ [min ⁻¹]	M ₂ [Nm]	f _B	i _{ges}	F _R [kN]	F _A [kN]	F _{R VL} [kN]	F _{A VL} [kN]	Type	kg	mm 				
4,00	213	179	2,9	6,75	11,4	20,0	12,8	20,0	SK 672.1 - 112 MP/4	56	B52				
	235	162	3,1	6,12	11,4	20,0	12,4	20,0							
	258	148	3,3	5,59	11,5	20,0	12,1	20,0							
	285	134	3,6	5,06	11,5	19,9	11,7	19,9							
	206	185	2,9	8,48	10,9	20,0	12,6	20,0							
	68	565	0,8	21,32	1,8	14,5	8,5	14,5	SK 573.1* - 112 MP/4	50	B49, B51				
		75	510	0,8	19,22	2,3	14,5	8,9				14,5			
		83	462	0,9	17,42	2,7	14,5	9,1				14,5			
	74	519	0,8	19,57	3,4	15,0	10,0	15,0	SK 572.1* - 112 MP/4	50	B48, B50				
		87	437	0,9	16,46	4,1	15,0	10,5				15,0			
		94	408	1,1	15,38	4,2	15,0	10,4				15,0			
		105	363	1,1	13,67	4,5	15,0	10,6				15,0			
		114	336	1,3	12,68	4,9	15,0	10,9				15,0			
		128	298	1,4	11,25	5,3	15,0	11,0				15,0			
		143	266	1,5	10,04	5,5	15,0	11,0				15,0			
161		237	1,6	8,92	5,6	15,0	10,7	15,0							
177		216	1,7	8,15	6,0	15,0	10,5	15,0							
192		199	1,8	7,49	6,1	15,0	10,3	15,0							
229		167	1,9	6,30	6,1	15,0	9,8	15,0							
245		156	1,9	5,88	6,0	15,0	9,6	15,0							
275		139	1,9	5,23	6,0	15,0	9,2	15,0							
307		124	2,0	4,69	5,9	15,0	8,9	15,0							
341		112	2,1	4,22	5,8	15,0	8,7	15,0							
376		102	2,2	3,83	5,7	15,0	8,4	15,0							
440		86,7	2,2	3,27	5,6	14,2	8,0	14,2							
493		77,5	2,2	2,92	5,5	13,4	7,7	13,4							
5,50	12	4311	0,8	120,26	17,2	22,0	28,1	40,0	SK 973.1 - 132 SP/4	162	B59				
	14	3773	0,8	105,23	21,9	22,0	29,1	40,0							
	15	3404	1,0	94,96	23,1	22,0	29,6	40,0							
	17	3091	1,1	86,22	23,9	22,0	30,1	40,0							
	19	2766	1,2	77,16	24,7	22,0	30,5	40,0							
	21	2456	1,3	68,50	25,4	22,0	30,9	40,0							
	22	2366	1,4	65,98	25,6	22,0	31,0	40,0							
	24	2148	1,5	59,91	26,0	22,0	31,2	40,0							
	26	1995	1,6	55,66	26,2	22,0	31,4	40,0							
	28	1876	1,7	52,32	26,3	22,0	31,5	40,0							
	31	1706	1,9	47,60	26,4	22,0	31,6	40,0							
	34	1524	2,1	42,51	26,4	22,0	31,8	40,0							
	34	1533	1,9	42,76	26,9	22,0	31,8	40,0				SK 972.1 - 132 SP/4	160	B58	
		39	1333	2,2	37,19	26,7	22,0	32,0							40,0
		44	1196	2,4	33,36	26,2	22,0	32,0							40,0
48		1086	2,6	30,29	25,8	22,0	32,1	40,0							
53		991	2,6	27,66	25,4	22,0	32,2	40,0							
24	2189	0,8	61,07	11,7	17,1	22,3	30,0	SK 873.1 - 132 SP/4	124	B57					
	26	1984	0,9	55,35	13,6	17,8	23,4				30,0				
	29	1804	0,9	50,32	14,8	18,0	24,2				30,0				
	32	1632	1,0	45,53	14,7	18,0	24,8				30,0				
	37	1423	1,2	39,68	14,5	18,0	25,0				30,0				
	41	1277	1,3	35,63	14,3	18,0	25,0				30,0				
	45	1156	1,5	32,24	14,0	18,0	25,0				30,0				
	48	1092	1,5	30,47	13,9	18,0	25,0				30,0				
	53	988	1,7	27,57	13,7	18,0	25,0				30,0				
	56	931	1,8	25,69	13,5	18,0	24,9				30,0				
	62	842	2,0	23,49	13,3	18,0	24,3				30,0				
	69	766	2,1	21,38	13,0	18,0	23,8				30,0				
	76	693	2,3	19,34	12,7	18,0	23,2				30,0				
34	1530	0,9	42,67	14,7	18,0	25,0	30,0	SK 872.1 - 132 SP/4	122	B56					
	38	1390	0,9	38,77	14,4	18,0	25,0				30,0				
	42	1258	1,0	35,08	14,2	18,0	25,0				30,0				
	46	1147	1,4	32,00	14,1	18,0	25,0				30,0				
	50	1042	1,5	29,08	13,8	18,0	25,0				30,0				
	52	1004	1,6	28,00	13,8	18,0	25,0				30,0				
	58	912	1,8	25,44	13,5	18,0	24,7				30,0				
	64	825	1,9	23,02	13,2	18,0	24,2				30,0				

NORDBLOC.1
helical gear units

* ⇒  A8

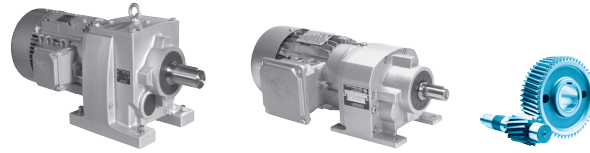
5,50 kW




NORDBLOC.1
helical gear units

P_1 [kW]	n_2 [min ⁻¹]	M_2 [Nm]	f_B	i_{ges}	F_R [kN]	F_A [kN]	$F_{R VL}$ [kN]	$F_{A VL}$ [kN]	Type	kg	mm
5,50	78	669	2,3	18,67	12,7	18,0	23,0	30,0	SK 872.1 - 132 SP/4	122	B56
	86	608	2,5	16,96	12,4	18,0	22,5	30,0			
	97	544	2,7	15,18	12,1	18,0	21,9	29,6			
	106	494	3,0	13,79	11,8	17,9	21,3	28,9			
	117	447	3,3	12,48	11,5	17,6	20,8	28,3			
	130	403	3,5	11,24	11,2	17,3	20,2	27,7			
	140	374	3,7	10,44	10,9	16,9	19,8	27,2			
	159	331	4,2	9,24	10,6	16,6	19,2	26,5			
	51	1026	0,8	28,63	3,3	4,6	10,7	12,9			
	58	910	0,9	25,39	4,1	5,3	10,9	13,2			
	60	869	0,9	24,23	4,2	5,3	10,9	13,1			
	68	770	1,0	21,49	4,9	5,8	11,0	13,3			
	72	728	1,1	20,31	5,4	6,3	11,2	13,6			
	79	662	1,2	18,46	5,7	6,4	11,2	13,6			
	88	597	1,3	16,66	6,0	6,7	11,2	13,6			
	94	560	1,4	15,62	6,1	6,7	11,1	13,4			
102	515	1,4	14,38	6,1	7,0	11,2	13,6				
112	468	1,5	13,07	6,0	7,1	11,1	13,4				
126	418	1,6	11,67	5,9	7,2	11,0	13,3				
132	396	1,7	11,06	5,8	7,1	10,9	13,1				
138	380	1,8	10,60	5,8	7,2	10,9	13,2				
146	359	1,9	10,00	5,7	7,1	10,7	12,9				
163	322	2,1	8,97	5,6	7,2	10,6	12,8				
180	291	2,2	8,12	5,5	7,1	10,4	12,6				
192	274	2,3	7,63	5,4	6,9	10,2	12,3				
95	550	1,1	15,35	9,7	20,0	14,9	20,0				
107	491	1,2	13,70	10,1	20,0	14,9	20,0				
117	450	1,3	12,56	10,4	20,0	14,6	20,0				
129	408	1,4	11,38	10,6	20,0	14,2	20,0				
141	372	1,5	10,37	10,8	20,0	13,9	20,0				
158	332	1,6	9,25	11,0	20,0	13,5	20,0				
169	311	1,7	8,66	11,0	20,0	13,3	20,0				
173	304	1,7	8,48	11,1	20,0	13,2	20,0				
191	275	1,9	7,68	11,2	20,0	12,8	20,0				
217	242	2,1	6,75	11,3	20,0	12,4	20,0				
240	219	2,3	6,12	11,3	20,0	12,1	20,0				
262	200	2,4	5,59	11,4	20,0	11,8	20,0				
289	181	2,6	5,06	11,4	19,4	11,4	19,4				
318	165	2,7	4,61	11,1	18,9	11,1	18,9				
347	151	2,8	4,22	10,8	18,4	10,8	18,4				
378	139	2,9	3,88	10,6	17,9	10,6	17,9				
409	128	2,8	3,58	10,3	17,3	10,3	17,3				
443	119	2,9	3,31	10,1	16,6	10,1	16,6				
477	110	2,9	3,07	9,8	16,0	9,8	16,0				
513	102	2,9	2,86	9,6	15,5	9,6	15,5				
551	95,4	2,9	2,66	9,4	15,0	9,4	15,0				
130	403	1,0	11,25	2,9	15,0	8,7	15,0				
146	360	1,1	10,04	3,4	15,0	9,1	15,0				
164	320	1,2	8,92	3,7	15,0	9,2	15,0				
180	292	1,2	8,15	4,3	15,0	9,7	15,0				
196	269	1,3	7,49	4,6	15,0	9,9	15,0				
233	226	1,4	6,30	4,8	15,0	9,5	15,0				
249	211	1,4	5,88	4,8	15,0	9,3	15,0				
280	188	1,4	5,23	4,9	15,0	9,0	15,0				
313	168	1,5	4,69	4,9	15,0	8,7	15,0				
347	151	1,5	4,22	4,9	15,0	8,4	15,0				
383	137	1,6	3,83	4,9	14,7	8,2	14,7				
448	117	1,6	3,27	4,8	13,7	7,8	13,7				
501	105	1,6	2,92	4,8	12,9	7,6	12,9				
130	403	1,0	11,25	2,9	15,0	8,7	15,0				
146	360	1,1	10,04	3,4	15,0	9,1	15,0				
164	320	1,2	8,92	3,7	15,0	9,2	15,0				
180	292	1,2	8,15	4,3	15,0	9,7	15,0				
196	269	1,3	7,49	4,6	15,0	9,9	15,0				
233	226	1,4	6,30	4,8	15,0	9,5	15,0				
249	211	1,4	5,88	4,8	15,0	9,3	15,0				
280	188	1,4	5,23	4,9	15,0	9,0	15,0				
313	168	1,5	4,69	4,9	15,0	8,7	15,0				
347	151	1,5	4,22	4,9	15,0	8,4	15,0				
383	137	1,6	3,83	4,9	14,7	8,2	14,7				
448	117	1,6	3,27	4,8	13,7	7,8	13,7				
501	105	1,6	2,92	4,8	12,9	7,6	12,9				

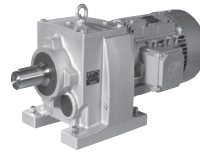
* ⇨ A8



P ₁ [kW]	n ₂ [min ⁻¹]	M ₂ [Nm]	f _B	i _{ges}	F _R [kN]	F _A [kN]	F _{R VL} [kN]	F _{A VL} [kN]	Type	kg	mm 
7,50	17	4230	0,8	86,22	14,8	18,6	28,3	40,0	SK 973.1 - 132 MP/4	170	B59
	19	3785	0,9	77,16	17,0	20,4	29,1	40,0			
	21	3360	1,0	68,50	18,2	21,2	29,7	40,0			
	22	3237	1,0	65,98	19,0	21,9	29,9	40,0			
	24	2939	1,1	59,91	19,7	22,0	30,3	40,0			
	26	2730	1,2	55,66	20,3	22,0	30,6	40,0			
	28	2567	1,2	52,32	20,8	22,0	30,8	40,0			
	31	2335	1,4	47,60	21,3	22,0	31,0	40,0			
	34	2085	1,5	42,51	21,9	22,0	31,3	40,0			
	39	1833	1,7	37,36	22,3	22,0	31,5	40,0			
	41	1726	1,9	35,19	22,6	22,0	31,6	40,0			
	46	1567	2,0	31,95	22,6	22,0	31,8	40,0			
	47	1519	2,0	30,97	22,6	22,0	31,8	40,0			
	54	1335	2,2	27,22	22,6	22,0	31,9	40,0			
57	1251	2,4	25,51	22,6	22,0	32,0	40,0				
	34	2097	1,4	42,76	22,5	22,0	31,3	40,0	SK 972.1 - 132 MP/4	168	B58
	39	1824	1,6	37,19	22,9	22,0	31,5	40,0			
	44	1636	1,8	33,36	22,7	22,0	31,7	40,0			
	48	1486	1,9	30,29	22,6	22,0	31,8	40,0			
	53	1357	1,9	27,66	22,5	22,0	31,9	40,0			
	63	1137	2,0	23,19	22,1	22,0	32,1	40,0			
	66	1079	2,6	21,99	22,7	22,0	32,1	40,0			
	74	968	2,9	19,72	22,3	22,0	32,2	40,0			
	83	866	3,2	17,65	22,2	22,0	32,3	40,0			
	92	777	3,5	15,84	21,5	22,0	32,3	40,0			
	32	2233	0,8	45,53	11,3	13,4	22,1	29,6			
	37	1946	0,9	39,68	12,8	14,5	23,6	29,9			
	41	1748	1,0	35,63	12,8	15,2	24,4	30,0			
	45	1582	1,1	32,24	12,7	15,6	24,4	30,0			
	48	1495	1,1	30,47	12,7	15,8	24,4	30,0			
	53	1352	1,2	27,57	12,5	16,1	24,2	29,9			
	56	1274	1,3	25,69	12,5	16,3	23,9	29,8			
	62	1152	1,4	23,49	12,3	16,4	23,4	29,5			
	68	1049	1,5	21,38	12,1	16,5	23,0	29,3			
	75	949	1,7	19,34	11,9	16,5	22,5	28,9			
	46	1570	1,0	32,00	12,8	15,9	24,6	30,0	SK 872.1 - 132 MP/4	128	B56
	50	1426	1,1	29,08	12,6	16,0	24,4	30,0			
	52	1374	1,2	28,00	12,6	16,3	24,3	30,0			
	57	1248	1,3	25,44	12,4	16,3	23,8	29,8			
	63	1129	1,4	23,02	12,3	16,4	23,3	29,5			
	78	916	1,7	18,67	11,9	16,7	22,4	28,9			
	86	832	1,9	16,96	11,7	16,5	21,9	28,5			
	96	745	2,0	15,18	11,5	16,5	21,3	28,1			
	106	677	2,2	13,79	11,2	16,3	20,8	27,6			
	117	612	2,4	12,48	11,0	16,1	20,3	27,1			
	130	551	2,5	11,24	10,7	16,0	19,8	26,6			
	140	512	2,7	10,44	10,5	15,6	19,4	26,1			
	158	453	3,0	9,24	10,2	15,5	18,9	25,6			
	165	435	3,1	8,87	10,1	15,1	18,6	25,1			
	189	379	3,4	7,73	9,8	14,9	18,0	24,5			
	222	322	3,8	6,57	9,3	14,4	17,2	23,6			
	258	277	4,1	5,66	9,0	13,7	16,5	22,7			
	265	270	4,3	5,50	8,9	13,8	16,5	22,7			
	72	996	0,8	20,31	2,1	3,2	9,2	11,2			
	79	906	0,9	18,46	2,7	3,7	9,3	11,3			
	88	817	0,9	16,66	3,3	4,3	9,5	11,5			
	93	766	1,0	15,62	3,5	4,3	9,5	11,5			
	102	705	1,0	14,38	4,2	5,0	9,8	11,8			
	112	641	1,1	13,07	4,5	5,2	9,8	11,8			
	125	572	1,2	11,67	5,0	5,6	9,9	11,9			
	132	542	1,3	11,06	4,9	5,5	9,7	11,8			
	138	520	1,3	10,60	5,1	5,7	9,8	11,9			
	146	491	1,4	10,00	5,1	5,6	9,6	11,7			
	163	440	1,5	8,97	5,2	5,8	9,7	11,7			
	180	398	1,6	8,12	5,1	5,8	9,6	11,6			
	191	374	1,7	7,63	5,0	5,5	9,3	11,3			
	220	325	1,8	6,63	5,0	6,1	9,7	11,7			
	236	304	1,9	6,19	4,8	5,6	9,2	11,1			
	271	264	2,2	5,38	4,8	6,0	9,4	11,4			
	310	231	2,4	4,71	4,6	5,7	9,0	10,9			

NORDBLOC.1
helical gear units

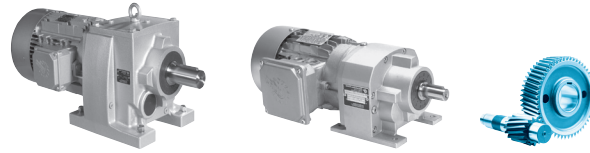
7,50 kW
9,20 kW




NORDBLOC.1
helical gear units

P ₁ [kW]	n ₂ [min ⁻¹]	M ₂ [Nm]	f _B	i _{ges}	F _R [kN]	F _A [kN]	F _{R VL} [kN]	F _{A VL} [kN]	Type	kg	mm H B				
7,50	95	753	0,8	15,35	7,8	20,0	13,7	20,0	SK 672.1 - 132 MP/4	82	B52				
	107	672	0,9	13,70	8,7	20,0	14,1	20,0							
	116	616	0,9	12,56	9,2	20,0	13,8	20,0							
	128	558	1,0	11,38	9,7	20,0	13,5	20,0							
	141	508	1,1	10,37	10,0	20,0	13,3	20,0							
	158	454	1,2	9,25	10,4	20,0	13,0	20,0							
	169	425	1,2	8,66	10,5	20,0	12,7	20,0							
	172	416	1,3	8,48	10,6	20,0	12,7	20,0							
	190	377	1,4	7,68	10,8	20,0	12,4	20,0							
	216	331	1,6	6,75	11,0	20,0	12,0	20,0							
	239	300	1,7	6,12	11,1	19,8	11,7	19,8							
	261	274	1,8	5,59	11,2	19,4	11,4	19,4							
	288	248	1,9	5,06	11,1	18,9	11,1	18,9							
	317	226	2,0	4,61	10,8	18,4	10,8	18,4							
	346	207	2,0	4,22	10,6	17,9	10,6	17,9							
	376	190	2,1	3,88	10,3	17,5	10,3	17,5							
	408	176	2,1	3,58	10,1	16,8	10,1	16,8							
	441	162	2,1	3,31	9,8	16,1	9,8	16,1							
	475	151	2,1	3,07	9,6	15,6	9,6	15,6							
	511	140	2,1	2,86	9,4	15,1	9,4	15,1							
549	130	2,1	2,66	9,2	14,6	9,2	14,6								
	145	492	0,8	10,04	0,7	15,0	6,3	15,0	SK 572.1* - 132 MP/4	76	B48, B50				
	164	438	0,8	8,92	1,2	15,0	6,6	15,0							
	179	400	0,9	8,15	2,1	15,0	7,5	15,0							
	195	367	1,0	7,49	2,6	15,0	7,9	15,0							
	232	309	1,0	6,30	3,1	15,0	8,2	15,0							
	248	289	1,0	5,88	3,2	15,0	8,1	15,0							
	279	257	1,1	5,23	3,4	15,0	8,2	15,0							
	312	230	1,1	4,69	3,5	15,0	8,2	15,0							
	346	207	1,1	4,22	3,6	14,6	8,2	14,6							
	381	188	1,2	3,83	3,7	14,1	7,9	14,1							
	447	160	1,2	3,27	3,8	13,1	7,6	13,1							
	499	143	1,2	2,92	3,8	12,5	7,3	12,5							
	9,20	21	4094	0,8	68,50	12,1	15,8	28,5				40,0	SK 973.1 - 160 SP/4	200	B59
		22	3943	0,8	65,98	13,2	16,7	28,8				40,0			
25		3580	0,9	59,91	14,3	17,5	29,4	40,0							
26		3326	1,0	55,66	15,3	18,3	29,7	40,0							
28		3127	1,0	52,32	16,1	18,8	30,0	40,0							
31		2845	1,1	47,60	17,1	19,6	30,4	40,0							
35		2541	1,3	42,51	18,1	20,3	30,8	40,0							
39		2233	1,4	37,36	18,9	20,9	31,1	40,0							
42		2103	1,5	35,19	19,5	21,3	31,3	40,0							
46		1910	1,7	31,95	19,7	21,3	31,4	40,0							
47		1851	1,7	30,97	19,8	21,4	31,5	40,0							
54		1627	1,8	27,22	20,2	21,6	31,7	40,0							
58		1524	2,0	25,51	20,3	21,6	31,8	40,0							
66		1340	2,1	22,42	20,4	21,5	31,9	40,0							
	40	2222	1,3	37,19	19,6	21,5	31,1	40,0	SK 972.1 - 160 SP/4	198	B58				
	44	1994	1,5	33,36	19,7	21,5	31,4	40,0							
	49	1810	1,5	30,29	19,9	21,4	31,5	40,0							
	53	1653	1,6	27,66	19,9	21,4	31,7	40,0							
	63	1386	1,7	23,19	19,9	21,1	31,9	40,0							
	67	1314	2,1	21,99	20,8	21,9	32,0	40,0							
	75	1179	2,4	19,72	20,5	21,5	32,1	40,0							
	83	1055	2,7	17,65	20,7	21,5	32,1	40,0							
	93	946	2,9	15,84	20,3	21,1	32,2	39,1							
	104	846	3,2	14,16	20,1	20,8	32,3	38,2							
	108	810	3,2	13,56	20,1	20,8	32,3	38,0							
114	768	3,4	12,86	19,8	20,4	32,3	37,4								
	41	2130	0,8	35,63	10,2	11,7	22,0	27,0	SK 873.1 - 160 SP/4	162	B57				
	46	1927	0,9	32,24	11,2	12,4	22,1	27,3							
	48	1821	0,9	30,47	11,6	12,9	22,3	27,4							
	53	1648	1,0	27,57	11,6	13,4	22,3	27,5							
	57	1552	1,1	25,69	11,6	13,8	22,4	27,6							
	63	1404	1,2	23,49	11,5	14,1	22,3	27,5							
	69	1278	1,3	21,38	11,4	14,5	22,3	27,5							
	76	1156	1,4	19,34	11,3	14,6	21,9	27,3							

* ⇨ A8

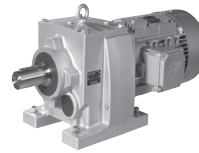


P ₁ [kW]	n ₂ [min ⁻¹]	M ₂ [Nm]	f _B	i _{ges}	F _R [kN]	F _A [kN]	F _{R VL} [kN]	F _{A VL} [kN]	Type	kg	mm 				
9,20	52	1673	1,0	28,00	11,7	13,6	22,5	27,7	SK 872.1 - 160 SP/4	160	B56				
	58	1521	1,1	25,44	11,5	13,8	22,4	27,6							
	64	1376	1,1	23,02	11,5	14,2	22,3	27,5							
	79	1116	1,4	18,67	11,3	14,9	21,8	27,3							
	87	1014	1,5	16,96	11,1	14,9	21,3	27,0							
	97	907	1,6	15,18	10,9	15,1	20,8	26,8							
	107	824	1,8	13,79	10,7	15,0	20,4	26,4							
	118	746	2,0	12,48	10,5	14,9	19,9	26,0							
	131	672	2,1	11,24	10,3	14,9	19,5	25,7							
	141	624	2,2	10,44	10,1	14,6	19,1	25,1							
	159	552	2,5	9,24	9,9	14,6	18,6	24,7							
	166	530	2,5	8,87	9,7	14,2	18,3	24,3							
	190	462	2,8	7,73	9,5	14,1	17,7	23,8							
	224	393	3,1	6,57	9,1	13,6	17,0	23,0							
	260	338	3,4	5,66	8,7	12,8	16,3	22,2							
	267	329	3,5	5,50	8,7	13,0	16,3	22,2							
11,0	102	859	0,8	14,38	2,2	2,8	8,6	10,4	SK 772.1 - 160 SP/4	125	B54				
	113	781	0,9	13,07	2,6	3,2	8,7	10,5							
	126	697	1,0	11,67	3,4	3,8	8,9	10,8							
	133	661	1,0	11,06	3,3	3,7	8,8	10,6							
	139	634	1,1	10,60	3,7	4,1	8,9	10,8							
	147	598	1,1	10,00	3,6	3,9	8,8	10,6							
	164	536	1,2	8,97	4,1	4,4	8,9	10,8							
	181	485	1,3	8,12	4,3	4,5	8,8	10,7							
	193	456	1,4	7,63	4,2	4,2	8,6	10,5							
	222	397	1,5	6,63	4,6	5,1	9,2	11,1							
	237	370	1,6	6,19	4,5	4,6	8,6	10,4							
	273	322	1,8	5,38	4,6	5,2	9,0	10,9							
	312	282	2,0	4,71	4,4	5,0	8,6	10,4							
	333	264	2,0	4,42	4,3	4,8	8,4	10,1							
	383	229	2,3	3,84	4,3	5,1	8,5	10,3							
	409	215	2,3	3,59	4,2	4,7	8,1	9,9							
470	187	2,6	3,12	4,1	5,0	8,2	10,0								
11,0	26	3991	0,8	55,66	10,0	13,6	28,7	40,0	SK 973.1 - 160 MP/4	200	B59				
	28	3751	0,9	52,32	11,1	14,4	29,1	40,0							
	31	3413	0,9	47,60	12,5	15,6	29,6	40,0							
	34	3048	1,0	42,51	14,0	16,7	30,1	40,0							
	39	2679	1,2	37,36	15,4	17,7	30,6	40,0							
	42	2523	1,3	35,19	16,2	18,4	30,8	40,0							
	46	2291	1,4	31,95	16,6	18,7	31,1	40,0							
	47	2221	1,4	30,97	16,9	18,8	31,1	40,0							
	54	1952	1,5	27,22	17,6	19,3	31,4	40,0							
	57	1829	1,6	25,51	17,9	19,4	31,5	40,0							
	65	1607	1,7	22,42	18,3	19,7	31,7	39,9							
	11,0	39	2666	1,1	37,19	16,2	18,5	30,7				40,0	SK 972.1 - 160 MP/4	198	B58
		44	2392	1,2	33,36	16,6	18,7	31,0				40,0			
		48	2172	1,3	30,29	17,0	18,9	31,2				40,0			
		53	1983	1,3	27,66	17,3	19,0	31,4				40,0			
		63	1663	1,4	23,19	17,6	19,1	31,7				39,7			
67		1576	1,8	21,99	18,8	20,1	31,8	40,0							
74		1414	2,0	19,72	18,7	19,9	31,9	39,4							
83		1266	2,2	17,65	19,0	20,1	32,0	38,9							
93		1135	2,4	15,84	18,8	19,8	32,1	38,0							
103		1015	2,6	14,16	18,8	19,6	32,2	37,2							
108		972	2,7	13,56	18,9	19,7	32,2	37,1							
114		922	2,8	12,86	18,5	19,3	32,2	36,5							
127		827	3,0	11,54	18,6	19,3	32,3	35,9							
142		742	3,3	10,35	18,3	18,9	32,3	35,0							
156		674	3,7	9,40	18,0	18,5	31,6	34,2							
11,0		48	2185	0,8	30,47	8,0	9,7	20,0	24,7	SK 873.1 - 160 MP/4	162	B57			
	53	1977	0,8	27,57	9,1	10,5	20,3	25,0							
	56	1861	0,9	25,69	9,8	11,1	20,5	25,2							
	62	1684	1,0	23,49	10,6	11,7	20,6	25,4							
	69	1533	1,0	21,38	10,6	12,2	20,7	25,5							
	76	1387	1,2	19,34	10,5	12,6	20,7	25,5							

NORDBLOC.1
helical gear units

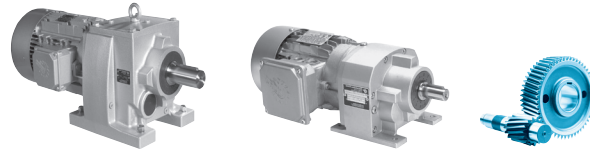
* ⇨  A8


11,0 kW
15,0 kW



NORDBLOC.1
helical gear units

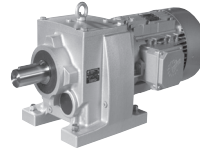
P ₁ [kW]	n ₂ [min ⁻¹]	M ₂ [Nm]	f _B	i _{ges}	F _R [kN]	F _A [kN]	F _{R VL} [kN]	F _{A VL} [kN]	Type	kg	mm H B				
11,0	52	2008	0,8	28,00	9,3	10,7	20,5	25,2	SK 872.1 - 160 MP/4	160	B56				
	58	1824	0,9	25,44	10,0	11,2	20,5	25,3							
	64	1651	0,9	23,02	10,6	11,8	20,6	25,4							
	78	1338	1,2	18,67	10,6	13,0	20,8	25,7							
	86	1216	1,3	16,96	10,5	13,1	20,7	25,5							
	97	1088	1,4	15,18	10,4	13,5	20,4	25,4							
	106	989	1,5	13,79	10,2	13,5	20,0	25,1							
	117	895	1,6	12,48	10,1	13,6	19,5	24,8							
	130	806	1,7	11,24	9,9	13,8	19,1	24,7							
	140	748	1,9	10,44	9,7	13,4	18,7	24,1							
	159	662	2,1	9,24	9,6	13,6	18,3	23,9							
	165	636	2,1	8,87	9,4	13,2	18,0	23,4							
	190	554	2,3	7,73	9,2	13,3	17,5	23,1							
	223	471	2,6	6,57	8,8	12,6	16,8	22,3							
	259	406	2,8	5,66	8,5	12,0	16,2	21,6							
	266	394	2,9	5,50	8,5	12,2	16,1	21,7							
	313	335	3,3	4,68	8,2	11,6	15,4	20,9							
	364	289	3,1	4,03	7,9	11,0	14,8	20,2							
	396	265	3,3	3,69	7,7	10,8	14,5	19,9							
	461	228	3,7	3,18	7,4	10,2	13,9	19,1							
11,0	126	837	0,8	11,67	1,7	2,1	7,8	9,5	SK 772.1 - 160 MP/4	125	B54				
	132	793	0,9	11,06	1,7	2,0	7,7	9,4							
	138	760	0,9	10,60	2,1	2,4	7,9	9,6							
	146	717	0,9	10,00	2,1	2,4	7,8	9,5							
	163	643	1,0	8,97	2,8	3,0	8,1	9,8							
	180	582	1,1	8,12	3,1	3,2	8,1	9,8							
	192	547	1,1	7,63	2,9	3,0	7,9	9,6							
	221	476	1,3	6,63	3,5	4,1	8,6	10,4							
	237	444	1,3	6,19	3,6	3,5	8,0	9,7							
	272	386	1,5	5,38	4,1	4,4	8,5	10,3							
	311	338	1,7	4,71	4,2	4,2	8,1	9,8							
	332	317	1,7	4,42	4,1	4,1	7,9	9,6							
	382	275	1,9	3,84	4,1	4,6	8,2	9,9							
	408	258	1,9	3,59	4,0	4,2	7,8	9,4							
	469	224	2,2	3,12	4,0	4,5	8,0	9,6							
	15,0	34	4156	0,8	42,51	5,0	8,8	28,4				34,9	SK 973.1 - 160 LP/4	230	B59
		39	3653	0,9	37,36	7,5	10,7	29,3				35,7			
42		3441	0,9	35,19	8,8	11,9	29,6	36,2							
46		3124	1,0	31,95	9,9	12,7	30,0	36,3							
47		3028	1,0	30,97	10,3	13,0	30,2	36,3							
54		2662	1,1	27,22	11,8	14,2	30,6	36,5							
57		2494	1,2	25,51	12,4	14,7	30,8	36,5							
65		2192	1,3	22,42	13,5	15,5	31,2	36,4							
15,0	67	2150	1,3	21,99	14,3	16,2	31,2	36,8	SK 972.1 - 160 LP/4	228	B58				
	74	1928	1,5	19,72	14,6	16,2	31,4	36,3							
	83	1726	1,6	17,65	15,4	16,9	31,6	36,2							
	93	1548	1,8	15,84	15,5	16,8	31,8	35,5							
	103	1385	1,9	14,16	15,8	17,0	31,9	35,0							
	108	1326	2,0	13,56	16,1	17,2	32,0	35,0							
	114	1257	2,1	12,86	15,8	16,9	31,8	34,4							
	127	1128	2,2	11,54	16,3	17,2	31,5	34,1							
	142	1012	2,5	10,35	16,1	17,0	30,8	33,4							
	156	919	2,7	9,40	16,0	16,8	30,2	32,7							
	173	827	2,8	8,45	15,6	16,3	29,4	31,9							
	204	703	3,2	7,19	15,5	15,9	28,5	30,9							
	219	654	3,4	6,68	15,6	15,9	28,3	30,6							
	237	603	3,4	6,17	14,9	14,8	27,4	29,7							
15,0	69	2090	0,8	21,38	5,5	6,8	17,2	21,2	SK 873.1 - 160 LP/4	190	B57				
	76	1891	0,8	19,34	6,6	7,8	17,5	21,6							
15,0	78	1825	0,8	18,67	7,4	8,5	17,8	22,0	SK 872.1 - 160 LP/4	188	B56				
	86	1658	0,9	16,96	8,0	9,0	17,9	22,0							
	97	1484	1,0	15,18	9,1	9,9	18,2	22,4							
	106	1349	1,1	13,79	9,1	10,2	18,1	22,3							
	117	1220	1,2	12,48	9,0	10,5	18,1	22,3							
	130	1099	1,3	11,24	9,0	11,0	18,2	22,4							
140	1020	1,4	10,44	8,8	10,6	17,8	22,0								



P ₁ [kW]	n ₂ [min ⁻¹]	M ₂ [Nm]	f _B	i _{ges}	F _R [kN]	F _A [kN]	F _{R VL} [kN]	F _{A VL} [kN]	Type	kg	mm 				
15,0	159	903	1,5	9,24	8,8	11,1	17,6	22,0	SK 872.1 - 160 LP/4	188	B56				
	165	868	1,5	8,87	8,6	10,4	17,4	21,5							
	190	755	1,7	7,73	8,5	10,8	16,9	21,5							
	223	642	1,9	6,57	8,3	10,5	16,3	20,9							
	259	553	2,1	5,66	8,0	10,2	15,7	20,3							
	266	538	2,1	5,50	8,1	10,6	15,7	20,6							
	313	457	2,4	4,68	7,8	10,2	15,1	19,9							
	364	394	2,3	4,03	7,5	9,8	14,5	19,3							
	396	361	2,4	3,69	7,4	9,7	14,2	19,1							
	461	311	2,7	3,18	7,1	9,3	13,7	18,4							
	15,0	163	877	0,8	8,97	0	0	6,2				7,6	SK 772.1 - 160 LP/4	154	B54
		180	794	0,8	8,12	0,3	0,6	6,4				7,8			
		192	746	0,8	7,63	0,2	0,4	6,2				7,5			
		221	649	0,9	6,63	1,2	2,1	7,4				8,9			
		237	605	1,0	6,19	1,4	1,5	6,6				8,0			
		272	526	1,1	5,38	2,2	2,8	7,5				9,1			
		311	461	1,2	4,71	2,9	2,7	7,1				8,6			
		332	432	1,3	4,42	2,8	2,6	7,0				8,4			
382		375	1,4	3,84	3,2	3,4	7,5	9,1							
408		351	1,4	3,59	3,3	3,0	7,0	8,5							
469		306	1,6	3,12	3,6	3,6	7,4	8,9							
18,5		42	4201	0,8	35,19	2,6	5,8	28,3	31,5	SK 973.1 - 180 MP/4	262	B59			
		46	3814	0,8	31,95	4,1	7,2	29,0	31,9						
		48	3697	0,8	30,97	4,7	7,7	29,2	32,1						
		54	3249	0,9	27,22	6,9	9,8	29,9	32,7						
		58	3045	1,0	25,51	7,8	10,6	30,1	33,0						
		66	2676	1,0	22,42	9,4	11,8	30,6	33,3						
		18,5	67	2624	1,1	21,99	10,5	12,8	30,7						
	75		2354	1,2	19,72	11,0	13,1	31,0	33,6						
	84		2107	1,3	17,65	12,3	14,2	31,2	33,8						
	93		1890	1,4	15,84	12,6	14,3	30,8	33,3						
105	1690		1,6	14,16	13,2	14,7	30,5	33,1							
109	1619		1,6	13,56	13,7	15,1	30,6	33,2							
115	1535		1,7	12,86	13,5	14,8	30,1	32,6							
128	1377		1,8	11,54	14,2	15,4	30,1	32,6							
143	1235		2,0	10,35	14,2	15,3	29,5	31,9							
158	1122		2,2	9,40	14,3	15,1	29,0	31,4							
175	1009		2,3	8,45	14,0	14,5	28,3	30,6							
206	859		2,6	7,19	14,1	14,2	27,5	29,8							
221	798		2,8	6,68	14,4	14,4	27,4	29,6							
240	737		2,8	6,17	13,6	13,4	26,5	28,7							
282	627		3,2	5,25	13,6	13,0	25,7	27,8							
325	544		3,7	4,56	13,8	13,0	25,2	27,3							
396	446		4,1	3,74	13,2	12,1	24,0	26,0							
18,5	98		1812	0,8	15,18	5,6	6,1	16,1	19,8	SK 872.1 - 180 MP/4	222	B56			
	107	1646	0,9	13,79	6,3	6,7	16,2	19,9							
	119	1490	1,0	12,48	7,2	7,3	16,4	20,1							
	132	1341	1,0	11,24	8,2	8,2	16,6	20,5							
	142	1246	1,1	10,44	8,0	7,9	16,3	20,1							
	160	1103	1,3	9,24	8,1	8,7	16,6	20,4							
	167	1059	1,3	8,87	8,0	8,1	16,1	19,9							
	192	922	1,4	7,73	8,0	8,9	16,3	20,1							
	225	784	1,6	6,57	7,8	8,8	15,8	19,7							
	262	675	1,7	5,66	7,6	8,7	15,3	19,2							
	269	657	1,8	5,50	7,7	9,2	15,3	19,5							
	316	558	2,0	4,68	7,4	9,0	14,7	19,0							
	368	481	1,9	4,03	7,2	8,7	14,2	18,5							
	401	441	2,0	3,69	7,1	8,8	14,0	18,4							
	465	380	2,2	3,18	6,9	8,5	13,4	17,8							

NORDBLOC.1
helical gear units

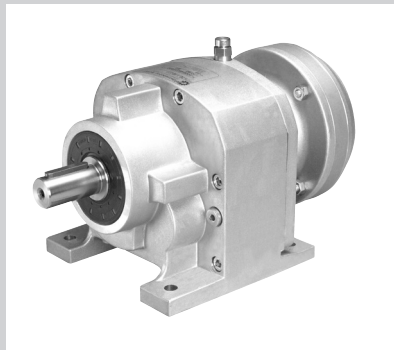
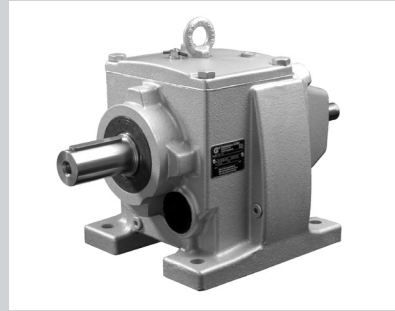
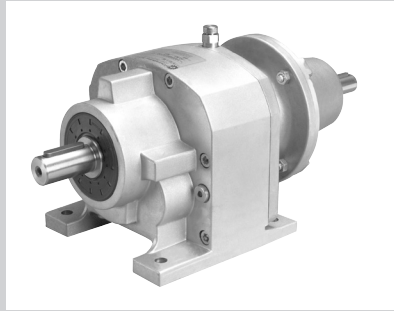
22,0 kW
30,0 kW
37,0 kW



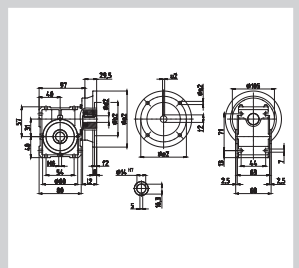
NORDBLOC.1
helical gear units

P ₁ [kW]	n ₂ [min ⁻¹]	M ₂ [Nm]	f _B	i _{ges}	F _R [kN]	F _A [kN]	F _{R VL} [kN]	F _{A VL} [kN]	Type	kg	mm 				
22,0	54	3877	0,8	27,22	1,8	4,1	26,7	29,0	SK 973.1 - 180 LP/4	262	B59				
	58	3633	0,8	25,51	3,1	5,3	27,2	29,4							
	66	3193	0,9	22,42	5,3	7,3	27,8	30,2							
22,0	67	3132	0,9	21,99	6,6	8,7	28,6	31,0	SK 972.1 - 180 LP/4	260	B58				
	75	2809	1,0	19,72	7,4	9,3	28,5	30,9							
	84	2514	1,1	17,65	9,2	11,1	29,0	31,4							
	93	2256	1,2	15,84	9,8	11,3	28,8	31,2							
	104	2017	1,3	14,16	10,7	12,0	28,7	31,1							
	109	1931	1,4	13,56	11,3	12,7	28,9	31,4							
	115	1831	1,4	12,86	11,1	12,3	28,5	30,8							
	128	1643	1,5	11,54	12,2	13,3	28,6	31,0							
	143	1474	1,7	10,35	12,4	13,1	28,2	30,5							
	157	1338	1,9	9,40	12,5	13,1	27,8	30,1							
	174	1204	2,0	8,45	12,4	12,6	27,1	29,4							
	205	1024	2,2	7,19	12,7	12,7	26,6	28,8							
	221	952	2,4	6,68	13,2	13,0	26,5	28,7							
	239	879	2,4	6,17	12,4	12,0	25,6	27,7							
	281	748	2,7	5,25	12,5	11,9	24,9	27,0							
	324	649	3,1	4,56	12,9	12,1	24,6	26,7							
	395	532	3,4	3,74	12,4	11,3	23,4	25,4							
	443	474	3,6	3,33	12,3	11,1	22,9	24,8							
	22,0	118	1777	0,8	12,48	4,2	4,4	14,6				17,9	SK 872.1 - 180 LP/4	222	B56
		131	1601	0,9	11,24	5,5	5,6	15,1				18,5			
141		1486	0,9	10,44	5,4	5,4	14,8	18,2							
160		1316	1,0	9,24	6,9	6,6	15,3	18,8							
166		1264	1,1	8,87	6,3	5,9	14,8	18,2							
191		1100	1,2	7,73	7,4	7,0	15,2	18,7							
225		936	1,3	6,57	7,3	7,2	15,0	18,4							
261		806	1,4	5,66	7,1	7,3	14,7	18,1							
268		783	1,5	5,50	7,3	7,9	15,0	18,5							
315		666	1,7	4,68	7,1	7,9	14,4	18,1							
366		573	1,6	4,03	6,9	7,7	13,9	17,7							
399		526	1,7	3,69	6,8	8,0	13,7	17,7							
464		453	1,9	3,18	6,6	7,8	13,2	17,2							
30,0		105	2732	1,0	14,16	4,7	5,7	24,6	26,7	SK 972.1 - 225 RP/4	420	B58			
		110	2616	1,0	13,56	5,8	6,7	25,1	27,2						
		116	2480	1,1	12,86	5,6	6,4	24,7	26,8						
	129	2225	1,1	11,54	7,5	8,1	25,4	27,5							
	144	1996	1,2	10,35	8,0	8,4	25,2	27,3							
	158	1813	1,4	9,40	8,5	8,8	25,0	27,1							
	176	1631	1,4	8,45	8,7	8,7	24,6	26,6							
	206	1388	1,6	7,19	9,5	9,3	24,4	26,4							
	222	1290	1,7	6,68	10,3	10,0	24,6	26,6							
	241	1190	1,7	6,17	9,5	9,0	23,6	25,5							
	283	1013	2,0	5,25	10,0	9,4	23,2	25,2							
	326	880	2,3	4,56	10,9	10,1	23,2	25,2							
	398	721	2,5	3,74	10,6	9,6	22,2	24,1							
	446	642	2,6	3,33	10,7	9,6	21,8	23,6							
37,0	105	3369	0,8	14,16	0	0	21,1	22,8	SK 972.1 - 225 SP/4	436	B58				
	110	3226	0,8	13,56	1,0	2,1	21,8	23,6							
	116	3059	0,9	12,86	0,9	1,9	21,4	23,2							
	129	2745	0,9	11,54	3,4	4,1	22,5	24,4							
	144	2462	1,0	10,35	4,3	4,7	22,6	24,4							
	158	2235	1,1	9,40	5,1	5,4	22,6	24,5							
	176	2012	1,2	8,45	5,4	5,5	22,3	24,1							
	206	1711	1,3	7,19	6,8	6,6	22,5	24,3							
	222	1590	1,4	6,68	7,9	7,6	22,9	24,8							
	241	1468	1,4	6,17	6,9	6,5	21,8	23,6							
	283	1249	1,6	5,25	7,9	7,3	21,7	23,5							
	326	1085	1,8	4,56	9,1	8,4	22,0	23,8							
	398	889	2,1	3,74	9,1	8,1	21,2	22,9							
	446	792	2,1	3,33	9,3	8,3	20,9	22,6							

NORDBLOC.1 Helical Gear Units



	i_{ges}	n_2 $n_{1=}$ 1400min ⁻¹ [min ⁻¹]	M_{2max} $f_B = 1$ [Nm]
SK 072.1	63,56	22	50
	55,00	25	50
	49,00	29	46
	42,10	33	50
	36,43	38	54
	32,45	43	55
	27,78	50	54
	24,75	57	55
	22,22	63	55
	21,28	65	55



SK 072.1



NORBLOC.1
helical gear units

	i_{ges}	n_2 $n_1 =$ 1400min^{-1} [min^{-1}]	M_{2max} $f_B = 1$ [Nm]	IEC			IEC							
				P_{1max}		$f_B \geq 1$	$f_B \Rightarrow$ B4-28							
				$n_1 =$ 1400min^{-1} [kW]	$n_1 =$ 930min^{-1} [kW]	$n_1 =$ 700min^{-1} [kW]	IEC 56	IEC 63	IEC 71					
SK 072.1	63,56	22	50	0,12	0,08	0,06		*	*					
	55,00	25	50	0,13	0,09	0,07		*	*					
	49,00	29	46	0,14	0,09	0,07		*	*					
	42,10	33	50	0,17	0,11	0,09		*	*					
	36,43	38	54	0,21	0,14	0,11			*					
	32,45	43	55	0,25	0,16	0,12			*					
	27,78	50	54	0,28	0,19	0,14			*					
	24,75	57	55	0,33	0,22	0,16			*					
	22,22	63	55	0,36	0,24	0,18			*					
	21,38	65	55	0,37	0,25	0,19								
	19,20	73	55	0,42	0,28	0,21								
	17,35	81	55	0,47	0,31	0,23								
	15,77	89	55	0,51	0,34	0,26								
	14,40	97	51	0,52	0,34	0,26								
	13,20	106	47	0,52	0,34	0,26								
IEC	11,56	121	50	0,55	0,36	0,28								
	10,00	140	55	0,55	0,36	0,28								
$\frac{1}{mm}$	8,91	157	55	0,55	0,36	0,28								
\Rightarrow B61	8,00	175	55	0,55	0,36	0,28								
	7,23	194	55	0,55	0,36	0,28								
	6,57	213	53	0,55	0,36	0,28								
	5,96	235	55	0,55	0,36	0,28								
	5,50	255	55	0,55	0,36	0,28								
	5,31	264	55	0,55	0,36	0,28								
	4,77	294	53	0,55	0,36	0,28								
	4,31	325	50	0,55	0,36	0,28								
	3,92	357	45	0,55	0,36	0,28								
	3,58	391	48	0,55	0,36	0,28								
	3,28	427	47	0,55	0,36	0,28								
	2,95	475	46	0,55	0,36	0,28								
	2,85	491	45	0,55	0,36	0,28								
	2,57	545	41	0,55	0,36	0,28								
	2,33	601	39	0,55	0,36	0,28								
	2,10	667	36	0,55	0,36	0,28								

* \Rightarrow A63

kg	IEC...
SK 072.1	4



	i_{ges}	n_2 $n_1 = 1400 \text{min}^{-1}$ [min^{-1}]	M_{2max} $f_B = 1$ [Nm]	W			IEC						
				P_{1max}		$f_B \geq 1$	$f_B \Rightarrow B4-28$						
				$n_1 = 1400 \text{min}^{-1}$	$n_1 = 930 \text{min}^{-1}$		$n_1 = 700 \text{min}^{-1}$	IEC 56	IEC 63	IEC 71	IEC 80	IEC 90	
				[kW]	[kW]	[kW]							
SK 172.1	81,45	17	83	0,15	0,10	0,07		*	*	*	*		
	70,00	20	72	0,15	0,10	0,08		*	*	*	*		
	62,36	22	64	0,15	0,10	0,07		*	*	*	*		
	54,03	26	85	0,23	0,15	0,12			*	*	*		
	46,43	30	85	0,27	0,18	0,13			*	*	*		
	41,36	34	85	0,30	0,20	0,15			*	*	*		
	38,75	36	85	0,32	0,21	0,16			*	*	*		
	34,52	41	86	0,37	0,24	0,18				*	*		
	31,00	45	92	0,43	0,29	0,22				*	*		
W	27,62	51	92	0,49	0,32	0,25				*	*		
	24,80	56	92	0,54	0,36	0,27				*	*		
$\frac{H}{mm}$	22,42	62	92	0,60	0,39	0,30				*	*		
$\Rightarrow B60$	20,37	69	85	0,61	0,41	0,31				*	*		
	18,60	75	84	0,66	0,44	0,33				*	*		
	15,76	89	85	0,79	0,52	0,40					*		
	13,54	103	85	0,92	0,61	0,46					*		
	12,06	116	87	1,06	0,70	0,53					*		
IEC	11,39	123	85	1,09	0,72	0,55					*		
	10,83	129	86	1,16	0,77	0,58						*	
$\frac{H}{mm}$	9,79	143	85	1,27	0,84	0,64						*	
$\Rightarrow B62$	8,72	161	88	1,48	0,98	0,74						*	
	7,83	179	82	1,50	0,99	0,75							
	7,08	198	82	1,50	0,99	0,75							
	6,43	218	82	1,50	0,99	0,75							
	5,77	243	77	1,50	0,99	0,75							
	5,14	272	83	1,50	0,99	0,75							
	4,62	303	72	1,50	0,99	0,75							
	4,17	336	65	1,50	0,99	0,75							
	3,79	369	59	1,50	0,99	0,75							
	3,46	405	54	1,50	0,99	0,75							
	3,22	435	54	1,50	0,99	0,75							
	2,92	479	50	1,50	0,99	0,75							
	2,72	515	46	1,50	0,99	0,75							
	2,49	562	43	1,50	0,99	0,75							
	2,32	603	43	1,50	0,99	0,75							

NORBLOC.1
helical gear units

* $\Rightarrow B63$

$\frac{kg}{kg}$	W	IEC...
SK 172.1	7	7

SK 372.1



NORDBLOC.1
helical gear units

	i _{ges}	n ₂ n ₁ = 1400min ⁻¹ [min ⁻¹]	M _{2max} f _B = 1 [Nm]	W			IEC					
				P _{1max}		f _B ≥ 1	f _B ⇨ B4-28					
				n ₁ = 1400min ⁻¹	n ₁ = 930min ⁻¹	n ₁ = 700min ⁻¹	IEC 63	IEC 71	IEC 80	IEC 90	IEC 100	
SK 372.1	72,38	19	150	0,30	0,20	0,15		*	*	*		
	64,06	22	160	0,37	0,24	0,18			*	*		
	60,83	23	150	0,36	0,24	0,18			*	*		
	53,84	26	160	0,44	0,29	0,22			*	*		
	43,26	32	170	0,57	0,38	0,28			*	*		
	38,12	37	180	0,70	0,46	0,35			*	*		
	33,84	41	190	0,82	0,54	0,41				*		
	30,11	46	180	0,87	0,57	0,43				*		
	25,85	54	190	1,07	0,71	0,54				*		
W	23,00	61	200	1,28	0,84	0,64				*		
	20,62	68	190	1,35	0,89	0,68				*		
	18,40	76	200	1,59	1,05	0,80						
⇨	16,50	85	190	1,69	1,12	0,85						
	14,57	96	190	1,91	1,26	0,95						
	12,96	108	200	2,26	1,49	1,13						
	11,55	121	190	2,41	1,59	1,20				*		
	10,28	136	190	2,71	1,79	1,35				*		
IEC	9,40	149	190	2,96	1,96	1,48				*		
	8,22	170	180	3,00	1,98	1,50						
	7,23	194	170	3,00	1,98	1,50						
⇨	6,89	203	170	3,00	1,98	1,50						
	6,58	213	160	3,00	1,98	1,50						
	5,95	235	160	3,00	1,98	1,50						
	5,24	267	160	3,00	1,98	1,50						
	4,66	300	140	3,00	1,98	1,50						
	4,18	335	130	3,00	1,98	1,50						
	3,78	370	120	3,00	1,98	1,50						
	3,43	408	110	3,00	1,98	1,50						
	3,12	449	100	3,00	1,98	1,50						
	2,86	490	90	3,00	1,98	1,50						
	2,62	534	90	3,00	1,98	1,50						

* ⇨

	W	IEC 63	IEC 71	IEC 80	IEC 90	IEC 100
SK 372.1	11	10	10	10	10	11



	i_{ges}	n_2 $n_1 = 1400 \text{ min}^{-1}$ [min^{-1}]	M_{2max} $f_B = 1$ [Nm]	W			IEC						
				P_{1max}		$f_B \geq 1$	$f_B \Rightarrow B4-28$						
				$n_1 = 1400 \text{ min}^{-1}$	$n_1 = 930 \text{ min}^{-1}$	$n_1 = 700 \text{ min}^{-1}$	IEC 63	IEC 71	IEC 80	IEC 90			
SK 373.1	343,92	4,1	190	0,08	0,05	0,04	*	*	*	*			
	303,08	4,6	210	0,10	0,07	0,05	*	*	*	*			
	269,67	5,2	220	0,12	0,08	0,06	*	*	*	*			
	256,50	5,5	200	0,12	0,08	0,06	*	*	*	*			
	228,22	6,1	220	0,14	0,09	0,07	*	*	*	*			
	207,98	6,7	200	0,14	0,09	0,07	*	*	*	*			
	196,07	7,1	210	0,16	0,10	0,08	*	*	*	*			
	185,05	7,6	210	0,17	0,11	0,08	*	*	*	*			
	165,94	8,4	210	0,18	0,12	0,09		*	*	*			
	145,00	9,7	210	0,21	0,14	0,11		*	*	*			
W mm $\Rightarrow B60$	130,87	11	200	0,23	0,15	0,12		*	*	*			
	120,54	12	200	0,25	0,17	0,13		*	*	*			
	102,01	14	200	0,29	0,19	0,15		*	*	*			
	91,48	15	210	0,33	0,22	0,16		*	*	*			
	82,57	17	210	0,37	0,25	0,19			*	*			
	74,27	19	200	0,40	0,26	0,20			*	*			
	64,70	22	200	0,46	0,30	0,23			*	*			
	60,22	23	200	0,48	0,32	0,24			*	*			
	54,00	26	210	0,57	0,38	0,29			*	*			
	47,05	30	210	0,66	0,44	0,33			*	*			
IEC mm $\Rightarrow B64$	42,46	33	200	0,69	0,46	0,35			*	*			
	37,23	38	200	0,80	0,53	0,40				*			
	33,20	42	200	0,88	0,58	0,44				*			
	29,77	47	210	1,03	0,68	0,52				*			
	25,94	54	210	1,19	0,78	0,59				*			
	23,41	60	210	1,32	0,87	0,66				*			
	22,74	62	210	1,36	0,90	0,68				*			
	20,52	68	210	1,50	0,99	0,75				*			
	18,63	75	190	1,49	0,98	0,75				*			

NORBLOC.1
helical gear units

* $\Rightarrow A63$

$\frac{kg}{kg}$	W	IEC 63	IEC 71	IEC 80	IEC 90
SK 373.1	12	11	11	11	11

SK 572.1



NORBLOC.1
helical gear units

	i _{ges}	n ₂ n ₁ = 1400min ⁻¹ [min ⁻¹]	M _{2max} f _B = 1 [Nm]	W			IEC						
				P _{1max}			f _B ⇨ B4-28						
				n ₁ = 1400min ⁻¹ [kW]	n ₁ = 930min ⁻¹ [kW]	n ₁ = 700min ⁻¹ [kW]	IEC 63	IEC 71	IEC 80	IEC 90	IEC 100	IEC 112	
SK 572.1*	54,41	26	370	1,01	0,66	0,50				*			
	45,77	31	320	1,04	0,69	0,52				*			
	42,38	33	370	1,28	0,84	0,64				*			
	35,65	39	370	1,51	1,00	0,76							
	31,28	45	370	1,74	1,15	0,87				*	*		
	28,91	48	380	1,91	1,26	0,95							
	27,00	52	400	2,18	1,44	1,09							
	24,58	57	430	2,57	1,69	1,28				*	*		
	21,85	64	420	2,81	1,86	1,41				*	*		
W	19,57	72	400	3,02	1,99	1,51						*	
	16,46	85	400	3,56	2,35	1,78						*	
mm	15,38	91	430	4,10	2,70	2,05							
⇨ B60	13,67	102	410	4,38	2,89	2,19							
	12,68	110	430	4,95	3,27	2,48							
	11,25	124	410	5,32	3,51	2,66							
	10,04	139	400	5,50	3,63	2,75							
IEC	8,92	157	370	5,50	3,63	2,75							
	8,15	172	360	5,50	3,63	2,75							
	7,49	187	350	5,50	3,63	2,75							
mm	6,30	222	320	5,50	3,63	2,75							
⇨ B65	5,88	238	300	5,50	3,63	2,75							
	5,23	268	270	5,50	3,63	2,75							
	4,69	299	250	5,50	3,63	2,75							
	4,22	332	230	5,50	3,63	2,75							
	3,83	366	220	5,50	3,63	2,75							
	3,27	428	190	5,50	3,63	2,75							
	2,92	479	170	5,50	3,63	2,75							

* ⇨ A63

kg	W	IEC 63	IEC 71	IEC 80	IEC 90	IEC 100	IEC 112
SK 572.1*	18	18	18	18	18	19	19

SK 572.1* ⇨ A8



	i _{ges}	n ₂ n ₁ = 1400min ⁻¹ [min ⁻¹]	M _{2max} f _B = 1 [Nm]	W			IEC						
				P _{1max}		f _B ≥ 1	f _B ⇨ B4-28						
				n ₁ = 1400min ⁻¹	n ₁ = 930min ⁻¹	n ₁ = 700min ⁻¹	IEC 63	IEC 71	IEC 80	IEC 90	IEC 100	IEC 112	
SK 573.1*	402,80	3,5	370	0,14	0,09	0,07	*	*	*	*			
	376,20	3,7	410	0,16	0,10	0,08	*	*	*	*			
	316,18	4,4	420	0,19	0,13	0,10		*	*	*			
	302,91	4,6	440	0,21	0,14	0,11		*	*	*			
	269,26	5,2	450	0,25	0,16	0,12		*	*	*			
	226,30	6,2	450	0,29	0,19	0,15		*	*	*			
	201,16	7,0	450	0,33	0,22	0,16		*	*	*			
	188,91	7,4	450	0,35	0,23	0,17		*	*	*			
	178,56	7,8	450	0,37	0,24	0,18			*	*			
W	158,78	8,8	450	0,41	0,27	0,21			*	*			
	141,13	9,9	450	0,47	0,31	0,23			*	*			
$\frac{H}{mm}$	136,40	10	450	0,47	0,31	0,24			*	*			
⇨ B60	125,45	11	450	0,52	0,34	0,26			*	*			
	111,36	13	450	0,61	0,40	0,31			*	*			
	109,12	13	450	0,61	0,40	0,31			*	*			
	107,42	13	430	0,59	0,39	0,29			*	*			
IEC	94,50	15	450	0,71	0,47	0,35			*	*			
	85,18	16	450	0,75	0,50	0,38			*	*			
	76,88	18	450	0,85	0,56	0,42			*	*			
$\frac{H}{mm}$	67,64	21	450	0,99	0,65	0,49			*	*			
⇨ B66	60,97	23	450	1,08	0,72	0,54			*	*			
	55,80	25	450	1,18	0,78	0,59			*	*			
	49,60	28	450	1,32	0,87	0,66			*	*			
	47,95	29	450	1,37	0,90	0,68			*	*			
	43,40	32	450	1,51	1,00	0,75			*	*			
	42,18	33	450	1,55	1,03	0,78			*	*			
	38,02	37	450	1,74	1,15	0,87			*	*			
	34,80	40	440	1,84	1,22	0,92			*	*			
	30,93	45	440	2,07	1,37	1,04			*	*			
	26,77	52	430	2,34	1,55	1,17			*	*			
	23,79	59	430	2,66	1,75	1,33			*	*			
	21,32	66	430	2,97	1,96	1,49			*	*			
	19,22	73	430	3,29	2,17	1,64			*	*			
	17,42	80	430	3,60	2,38	1,80			*	*			

NORBLOC.1
helical gear units

* ⇨ A63

kg	W	IEC 63	IEC 71	IEC 80	IEC 90	IEC 100	IEC 112
SK 573.1*	19	19	19	19	19	20	20

SK 573.1* → A8

SK 672.1



NORDBLOC.1
helical gear units

	i _{ges}	n ₂ n ₁ = 1400min ⁻¹ [min ⁻¹]	M _{2max} f _B = 1 [Nm]	W			IEC								
				P _{1max}			f _B ⇨ B4-28								
				n ₁ = 1400min ⁻¹ [kW]	n ₁ = 930min ⁻¹ [kW]	n ₁ = 700min ⁻¹ [kW]	IEC 63	IEC 71	IEC 80	IEC 90	IEC 100	IEC 112	IEC 132		
SK 672.1	56,65	25	400	1,05	0,69	0,52				*					
	44,55	31	450	1,46	0,96	0,73				*					
	35,75	39	550	2,25	1,48	1,12									
	32,58	43	610	2,75	1,81	1,37					*		*		
	29,08	48	550	2,76	1,82	1,38					*		*		
	26,23	53	610	3,39	2,23	1,69							*		
	23,41	60	610	3,83	2,53	1,92							*		
	20,62	68	610	4,34	2,87	2,17									
	18,41	76	610	4,85	3,20	2,43									
W	17,25	81	610	5,17	3,41	2,59									
	15,35	91	610	5,81	3,84	2,91									*
$\frac{mm}{mm}$	13,70	102	580	6,19	4,09	3,10									*
⇨ B60	12,56	111	570	6,63	4,37	3,31									*
	11,38	123	570	7,34	4,85	3,67									*
	10,37	135	570	8,06	5,32	4,03									*
	9,25	151	530	8,38	5,53	4,19									*
	8,66	162	530	8,99	5,93	4,50									*
IEC	8,48	165	530	9,16	6,04	4,58									*
	7,68	182	530	9,20	6,07	4,60									
$\frac{mm}{mm}$	6,75	207	520	9,20	6,07	4,60									
⇨ B67	6,12	229	510	9,20	6,07	4,60									
	5,59	250	490	9,20	6,07	4,60									
	5,06	277	480	9,20	6,07	4,60									
	4,61	304	450	9,20	6,07	4,60									
	4,22	332	420	9,20	6,07	4,60									
	3,88	361	400	9,20	6,07	4,60									
	3,58	391	360	9,20	6,07	4,60									
	3,31	423	340	9,20	6,07	4,60									
	3,07	456	320	9,20	6,07	4,60									
	2,86	490	300	9,20	6,07	4,60									
	2,66	526	280	9,20	6,07	4,60									

* ⇨ A63

$\frac{kg}{kg}$	W	IEC 63	IEC 71	IEC 80	IEC 90	IEC 100	IEC 112	IEC 132
SK 672.1	24	23	23	23	23	24	24	26



	i_{ges}	n_2 $n_1 = 1400 \text{ min}^{-1}$ [min^{-1}]	M_{2max} $f_B = 1$ [Nm]	W			IEC						
				P_{1max}		$f_B \geq 1$	$f_B \Rightarrow B4-28$						
				$n_1 = 1400 \text{ min}^{-1}$	$n_1 = 930 \text{ min}^{-1}$	$n_1 = 700 \text{ min}^{-1}$	IEC 63	IEC 71	IEC 80	IEC 90	IEC 100	IEC 112	IEC 132
SK 673.1	362,43	3,9	640	0,26	0,17	0,13		*	*	*			
	332,23	4,2	640	0,28	0,19	0,14		*	*	*			
	304,61	4,6	640	0,31	0,20	0,15		*	*	*			
	279,23	5,0	640	0,34	0,22	0,17		*	*	*			
	248,20	5,6	640	0,38	0,25	0,19			*	*			
	220,32	6,4	640	0,43	0,28	0,21			*	*			
	219,00	6,4	640	0,43	0,28	0,21			*	*			
	194,11	7,2	640	0,48	0,32	0,24			*	*			
	181,88	7,7	640	0,52	0,34	0,26			*	*			
W	177,94	7,9	640	0,53	0,35	0,26			*	*			
	161,45	8,7	640	0,58	0,38	0,29			*	*			
$\frac{H}{mm}$	146,88	9,5	640	0,64	0,42	0,32			*	*			
$\Rightarrow B60$	143,30	9,8	640	0,66	0,43	0,33			*	*			
	134,64	10	640	0,67	0,44	0,34			*	*			
	130,55	11	640	0,74	0,49	0,37			*	*			
	123,33	11	640	0,74	0,49	0,37			*	*			
	115,89	12	640	0,80	0,53	0,40			*	*			
IEC	103,48	14	640	0,94	0,62	0,47			*	*			
	94,86	15	640	1,01	0,66	0,50			*	*			
$\frac{H}{mm}$	83,70	17	640	1,14	0,75	0,57			*	*			
$\Rightarrow B68$	73,64	19	640	1,27	0,84	0,64			*	*			
	65,95	21	640	1,41	0,93	0,70			*	*			
	60,45	23	640	1,54	1,02	0,77			*	*			
	55,12	25	640	1,68	1,11	0,84			*	*			
	49,50	28	640	1,88	1,24	0,94			*	*			
	44,85	31	640	2,08	1,37	1,04			*	*			
	41,54	34	640	2,28	1,50	1,14			*	*		*	
	37,23	38	640	2,55	1,68	1,27			*	*		*	
	34,12	41	600	2,58	1,70	1,29			*	*		*	
	30,92	45	530	2,50	1,65	1,25			*	*		*	
	27,61	51	520	2,78	1,83	1,39			*	*		*	
	25,19	56	500	2,93	1,94	1,47			*	*		*	
	22,82	61	450	2,87	1,90	1,44			*	*		*	

NORDBLOC.1
helical gear units

* $\Rightarrow A63$

$\frac{kg}{kg}$	W	IEC 63	IEC 71	IEC 80	IEC 90	IEC 100	IEC 112	IEC 132
SK 673.1	25	24	24	24	24	25	25	27

SK 772.1



NORDBLOC.1
helical gear units

	i_{ges}	n_2 $n_1 =$ 1400 min^{-1} [min^{-1}]	M_{2max} $f_B = 1$ [Nm]	W			IEC											
				P_{1max}			$f_B \Rightarrow B4-28$											
				$n_1 =$ 1400 min^{-1} [kW]	$n_1 =$ 930 min^{-1} [kW]	$n_1 =$ 700 min^{-1} [kW]	IEC 71	IEC 80	IEC 90	IEC 100	IEC 112	IEC 132						
SK 772.1	26,86	52	820	4,46	2,95	2,23												
	24,41	57	820	4,89	3,23	2,45												
	20,31	69	820	5,92	3,91	2,96												*
	18,46	76	780	6,21	4,10	3,10												*
W	16,66	84	770	6,77	4,47	3,39												*
	15,62	90	760	7,16	4,73	3,58												*
\downarrow mm B60	14,38	97	720	7,31	4,83	3,66												*
	13,07	107	700	7,84	5,18	3,92												*
	11,67	120	690	8,67	5,72	4,34												*
	11,06	127	690	9,18	6,06	4,59												*
	10,60	132	680	9,40	6,20	4,70												
IEC	10,00	140	680	9,97	6,58	4,98												
	8,97	156	660	10,78	7,12	5,39												
	8,12	172	640	11,53	7,61	5,76												
\downarrow mm B69	7,63	183	620	11,88	7,84	5,94												
	6,63	211	600	13,26	8,75	6,63												
	6,19	226	580	13,73	9,06	6,86												
	5,38	260	570	15,00	9,90	7,50												
	4,71	297	560	15,00	9,90	7,50												
	4,42	317	540	15,00	9,90	7,50												
	3,84	365	530	15,00	9,90	7,50												
	3,59	390	490	15,00	9,90	7,50												
	3,12	449	485	15,00	9,90	7,50												

* \Rightarrow A63

kg	W	IEC 71	IEC 80	IEC 90	IEC 100	IEC 112	IEC 132
SK 772.1	42	40	44	44	48	48	57



	i_{ges}	n_2 $n_1 = 1400 \text{ min}^{-1}$ [min^{-1}]	M_{2max} $f_B = 1$ [Nm]	W			IEC						
				P_{1max}		$f_B \geq 1$	$f_B \Rightarrow B4-28$						
				$n_1 = 1400 \text{ min}^{-1}$	$n_1 = 930 \text{ min}^{-1}$	$n_1 = 700 \text{ min}^{-1}$	IEC 71	IEC 80	IEC 90	IEC 100	IEC 112	IEC 132	
SK 773.1	395,46	3,5	850	0,31	0,21	0,16	*	*					
	341,21	4,1	850	0,36	0,24	0,18	*	*					
	334,70	4,2	870	0,38	0,25	0,19		*					
	307,42	4,6	850	0,41	0,27	0,20		*	*				
	288,78	4,8	850	0,43	0,28	0,21		*					
	265,24	5,3	850	0,47	0,31	0,24		*	*				
	260,18	5,4	870	0,49	0,32	0,25		*	*				
	243,53	5,7	850	0,51	0,33	0,25		*					
	224,49	6,2	850	0,55	0,36	0,28		*	*				
W	206,11	6,8	870	0,62	0,41	0,31		*					
	189,31	7,4	850	0,66	0,43	0,33		*	*				
$\frac{H}{mm}$	178,53	7,8	850	0,69	0,46	0,35		*					
$\Rightarrow B60$	160,22	8,7	870	0,79	0,52	0,40			*				
	151,10	9,3	700	0,68	0,45	0,34							
	138,78	10	850	0,89	0,59	0,45			*				
	117,46	12	870	1,09	0,72	0,55			*				
	111,92	13	850	1,16	0,76	0,58			*	*	*		
IEC	96,57	14	850	1,25	0,82	0,62			*	*	*		
	93,61	15	850	1,34	0,88	0,67			*	*	*		
$\frac{H}{mm}$	83,32	17	850	1,51	1,00	0,76				*	*	*	
$\Rightarrow B69$	79,23	18	870	1,64	1,08	0,82				*	*		
	71,89	19	850	1,69	1,12	0,85				*	*	*	
	68,92	20	850	1,78	1,17	0,89				*	*		
	63,42	22	850	1,96	1,29	0,98				*	*	*	
	57,64	24	850	2,14	1,41	1,07				*	*		
	51,31	27	850	2,40	1,59	1,20				*	*	*	
	47,61	29	870	2,64	1,74	1,32				*	*	*	
	43,43	32	870	2,92	1,92	1,46				*	*	*	
	39,06	36	850	3,20	2,11	1,60				*	*	*	
	35,77	39	820	3,35	2,21	1,67				*	*		
	31,83	44	820	3,78	2,49	1,89				*	*	*	
	28,63	49	820	4,21	2,78	2,10				*	*	*	
	25,39	55	820	4,72	3,12	2,36				*	*	*	
	24,23	58	760	4,62	3,05	2,31				*	*	*	
	21,49	65	750	5,10	3,37	2,55				*	*	*	

NORBLOC.1
helical gear units

* $\Rightarrow B63$

$\frac{kg}{kg}$	W	IEC 71	IEC 80	IEC 90	IEC 100	IEC 112	IEC 132
SK 773.1	44	42	46	46	50	50	59

SK 872.1

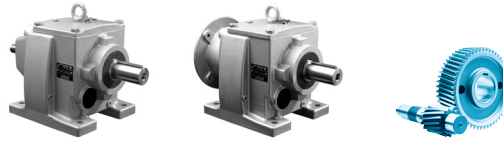


NORBLOC.1
helical gear units

	i_{ges}	n_2 $n_1 =$ 1400 min^{-1} [min^{-1}]	M_{2max} $f_B = 1$ [Nm]	W			IEC					
				P_{1max}			$f_B \Rightarrow B4-28$					
				$n_1 =$ 1400 min^{-1} [kW]	$n_1 =$ 930 min^{-1} [kW]	$n_1 =$ 700 min^{-1} [kW]	IEC 90	IEC 100	IEC 112	IEC 132	AI 160	AI 180
SK 872.1	42,67	33	1400	4,84	3,19	2,42				*		
	38,77	36	1300	4,90	3,23	2,45				*		
	35,08	40	1200	5,03	3,32	2,51				*		
	32,00	44	1600	7,37	4,87	3,69				*		
	29,08	48	1560	7,84	5,17	3,92				*		
W	28,00	50	1600	8,38	5,53	4,19				*	*	
$\frac{I}{mm}$	25,44	55	1600	9,21	6,08	4,61				*	*	
$\Rightarrow B60$	23,02	61	1560	9,96	6,58	4,98				*	*	
	18,67	75	1540	12,09	7,98	6,05				*	*	
	16,96	83	1540	13,38	8,83	6,69				*	*	
	15,18	92	1470	14,16	9,35	7,08				*	*	
	13,79	102	1470	15,70	10,36	7,85				*	*	
IEC, AI	12,48	112	1470	17,24	11,38	8,62				*	*	
	11,24	125	1400	18,32	12,09	9,16				*	*	
$\frac{I}{mm}$	10,44	134	1400	19,64	12,97	9,82				*	*	
$\Rightarrow A12$	9,24	152	1380	21,96	14,50	10,98				*	*	
	8,87	158	1340	22,00	14,52	11,00						
	7,73	181	1300	22,00	14,52	11,00						
	6,57	213	1230	22,00	14,52	11,00						
	5,66	247	1150	22,00	14,52	11,00						
	5,50	255	1150	22,00	14,52	11,00						
	4,68	299	1100	22,00	14,52	11,00						
	4,03	347	900	22,00	14,52	11,00						
	3,69	379	880	22,00	14,52	11,00						
	3,18	440	840	22,00	14,52	11,00						

* $\Rightarrow A63$

$\frac{kg}{kg}$	W	IEC 90	IEC 100	IEC 112	IEC 132	AI 160	AI 180
SK 872.1	87	82	89	89	103	102	102



	i_{ges}	n_2 $n_1 = 1400 \text{ min}^{-1}$ [min^{-1}]	M_{2max} $f_B = 1$ [Nm]	W			IEC						
				P_{1max}		$f_B \geq 1$	$f_B \Rightarrow B4-28$						
				$n_1 = 1400 \text{ min}^{-1}$	$n_1 = 930 \text{ min}^{-1}$	$n_1 = 700 \text{ min}^{-1}$	IEC 90	IEC 100	IEC 112	IEC 132	AI 160	AI 180	
SK 873.1	439,77	3,2	1700	0,57	0,38	0,28	*						
	399,60	3,5	1700	0,62	0,41	0,31	*						
	383,39	3,7	1700	0,66	0,43	0,33	*						
	348,37	4,0	1700	0,71	0,47	0,36	*						
W	315,19	4,4	1700	0,78	0,52	0,39	*						
	284,73	4,9	1700	0,87	0,58	0,44	*	*	*				
$\frac{H}{mm}$	257,61	5,4	1700	0,96	0,63	0,48	*	*	*				
$\Rightarrow B60$	232,16	6,0	1700	1,07	0,70	0,53	*						
	210,95	6,6	1700	1,17	0,78	0,59	*						
	190,86	7,3	1700	1,30	0,86	0,65							
	165,42	8,5	1700	1,51	1,00	0,76		*	*				
IEC, AI	150,31	9,3	1700	1,66	1,09	0,83		*	*				
	135,99	10	1700	1,78	1,17	0,89		*	*				
$\frac{H}{mm}$	127,52	11	1700	1,96	1,29	0,98		*	*	*			
$\Rightarrow A12$	115,88	12	1700	2,14	1,41	1,07		*	*	*			
	104,84	13	1700	2,31	1,53	1,16		*	*	*			
	101,02	14	1700	2,49	1,64	1,25			*	*			
	91,43	15	1700	2,67	1,76	1,34			*	*	*		
	83,08	17	1700	3,03	2,00	1,51			*	*	*		
	74,29	19	1700	3,38	2,23	1,69				*	*	*	
	67,50	21	1700	3,74	2,47	1,87				*	*	*	
	61,07	23	1700	4,09	2,70	2,05				*	*	*	
	55,35	25	1700	4,45	2,94	2,23				*			
	50,32	28	1700	4,98	3,29	2,49				*	*	*	
	45,53	31	1700	5,52	3,64	2,76				*	*	*	
	39,68	35	1700	6,23	4,11	3,12				*	*		
	35,63	39	1700	6,94	4,58	3,47				*	*	*	
	32,24	43	1700	7,65	5,05	3,83				*	*		
	30,47	46	1680	8,09	5,34	4,05				*	*	*	
	27,57	51	1650	8,81	5,82	4,41				*	*	*	
	25,69	54	1650	9,33	6,16	4,66				*	*	*	
	23,49	60	1650	10,37	6,84	5,18				*	*	*	
	21,38	65	1600	10,89	7,19	5,45				*	*	*	
	19,34	72	1600	12,06	7,96	6,03				*	*	*	

NORBLOC.1
helical gear units

* $\Rightarrow A63$

kg	W	IEC 90	IEC 100	IEC 112	IEC 132	AI 160	AI 180
SK 873.1	89	84	91	91	105	104	104

SK 972.1

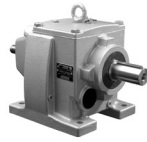


NORBLOC.1
helical gear units

	i_{ges}	n_2 $n_1 = 1400 \text{min}^{-1}$ [min^{-1}]	M_{2max} $f_B = 1$ [Nm]	W			IEC									
				P_{1max}		$f_B \geq 1$	$f_B \Rightarrow B4-28$									
				$n_1 = 1400 \text{min}^{-1}$	$n_1 = 930 \text{min}^{-1}$		$n_1 = 700 \text{min}^{-1}$	IEC 90	IEC 100	IEC 112	IEC 132	AI 160	AI 180	AI 200		
SK 972.1	42,76	33	2900	10,02	6,61	5,01										
	37,19	38	2900	11,54	7,62	5,77					*					
	33,36	42	2900	12,75	8,42	6,38					*					
	30,29	46	2800	13,49	8,90	6,74					*					
W	27,66	51	2600	13,88	9,16	6,94					*					
	23,19	60	2300	14,45	9,54	7,23					*					
$\frac{H}{mm}$	21,99	64	2800	18,76	12,38	9,38						*				
	19,72	71	2800	20,82	13,74	10,41						*				
$\Rightarrow B60$	17,65	79	2800	23,16	15,29	11,58										
	15,84	88	2740	25,25	16,66	12,62										
	14,16	99	2670	27,68	18,27	13,84									*	
	13,56	103	2610	28,15	18,58	14,07									*	
IEC, AI	12,86	109	2610	29,79	19,66	14,89									*	
	11,54	121	2520	31,93	21,07	15,96										
$\frac{H}{mm}$	10,35	135	2480	35,06	23,14	17,53										
$\Rightarrow A12$	9,40	149	2480	37,00	24,42	18,50										
	8,45	166	2350	37,00	24,42	18,50										
	7,19	195	2250	37,00	24,42	18,50										
	6,68	210	2240	37,00	24,42	18,50										
	6,17	227	2080	37,00	24,42	18,50										
	5,25	267	2000	37,00	24,42	18,50										
	4,56	307	2000	37,00	24,42	18,50										
	3,74	374	1825	37,00	24,42	18,50										
	3,33	420	1700	37,00	24,42	18,50										

* $\Rightarrow A63$

kg	W	IEC 90	IEC 100	IEC 112	IEC 132	AI 160	AI 180	AI 200
SK 972.1	126	121	128	128	142	141	141	159



	i_{ges}	n_2 $n_1 =$ 1400 min^{-1} [min^{-1}]	M_{2max} $f_B = 1$ [Nm]	W			IEC								
				P_{1max}		$f_B \geq 1$	$f_B \Rightarrow \text{B4-28}$								
				$n_1 =$ 1400 min^{-1} [kW]	$n_1 =$ 930 min^{-1} [kW]	$n_1 =$ 700 min^{-1} [kW]	IEC 90	IEC 100	IEC 112	IEC 132	AI 160	AI 180			
SK 973.1	456,77	3,1	3300	1,07	0,71	0,54	*								
	414,73	3,4	3300	1,17	0,78	0,59	*								
	362,89	3,9	3300	1,35	0,89	0,67	*								
	325,47	4,3	3300	1,49	0,98	0,74	*	*	*						
	295,50	4,7	3300	1,62	1,07	0,81		*	*						
W	258,57	5,4	3300	1,87	1,23	0,93		*	*						
$\frac{H}{mm}$	234,77	6,0	3300	2,07	1,37	1,04		*	*						
$\Rightarrow \text{B60}$	197,50	7,1	3300	2,45	1,62	1,23		*	*						
	179,32	7,8	3300	2,70	1,78	1,35		*	*						
	173,58	8,1	3000	2,54	1,68	1,27		*	*						
	157,60	8,9	3000	2,80	1,85	1,40		*	*						
	132,45	11	3300	3,80	2,51	1,90			*	*					
IEC, AI	120,26	12	3300	4,15	2,74	2,07			*	*					
$\frac{H}{mm}$	105,23	13	3200	4,36	2,87	2,18			*	*					
$\Rightarrow \text{A12}$	94,96	15	3300	5,18	3,42	2,59			*	*	*				
	86,22	16	3300	5,53	3,65	2,76			*	*	*				
	77,16	18	3300	6,22	4,11	3,11			*	*	*	*			
	75,44	19	3300	6,57	4,33	3,28			*	*	*	*			
	68,50	20	3300	6,91	4,56	3,46			*	*	*	*			
	65,98	21	3200	7,04	4,64	3,52			*	*	*	*	*		
	59,91	23	3200	7,71	5,09	3,85			*	*	*	*	*		
	55,66	25	3200	8,38	5,53	4,19			*	*	*	*	*		
	52,32	27	3200	9,05	5,97	4,52			*	*	*	*	*		
	47,60	29	3200	9,72	6,41	4,86			*	*	*	*	*		
	42,51	33	3200	11,06	7,30	5,53			*	*	*	*	*	*	
	37,36	37	3200	12,40	8,18	6,20			*	*	*	*	*	*	
	35,19	40	3200	13,40	8,85	6,70			*	*	*	*	*	*	
	31,95	44	3200	14,74	9,73	7,37			*	*	*	*	*	*	
	30,97	45	3100	14,61	9,64	7,30			*	*	*	*	*	*	
	27,22	51	3000	16,02	10,57	8,01			*	*	*	*	*	*	
	25,51	55	3000	17,28	11,40	8,64			*	*	*	*	*	*	
	22,42	62	2800	18,18	12,00	9,09			*	*	*	*	*	*	

NORDBLOC.1
helical gear units

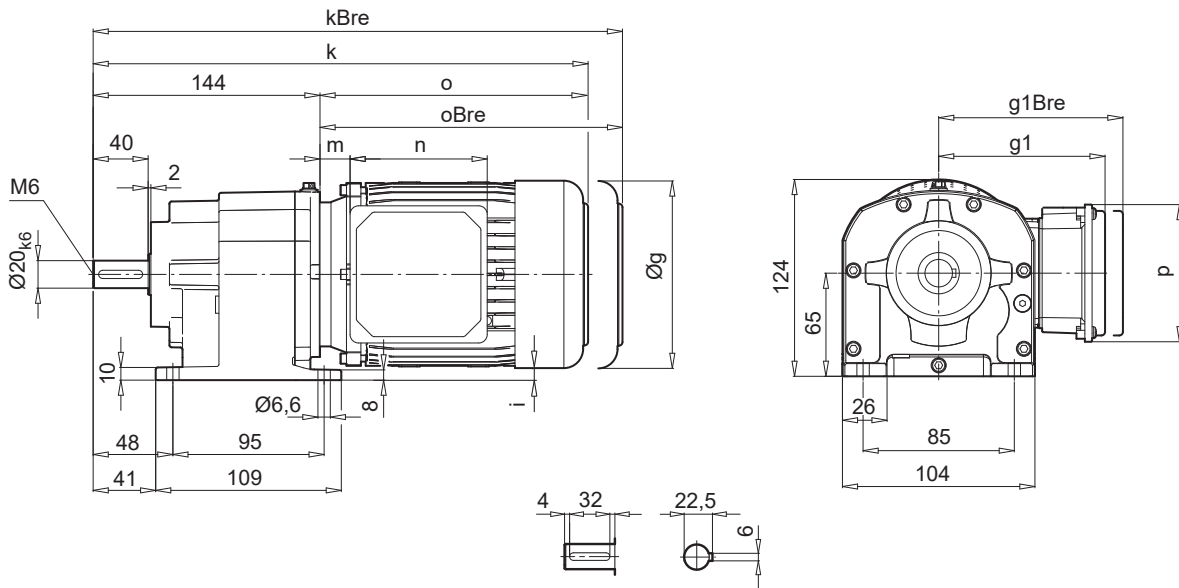
* $\Rightarrow \text{A63}$

$\frac{kg}{kg}$	W	IEC 90	IEC 100	IEC 112	IEC 132	AI 160	AI 180
SK 973.1	121	116	123	123	137	136	136

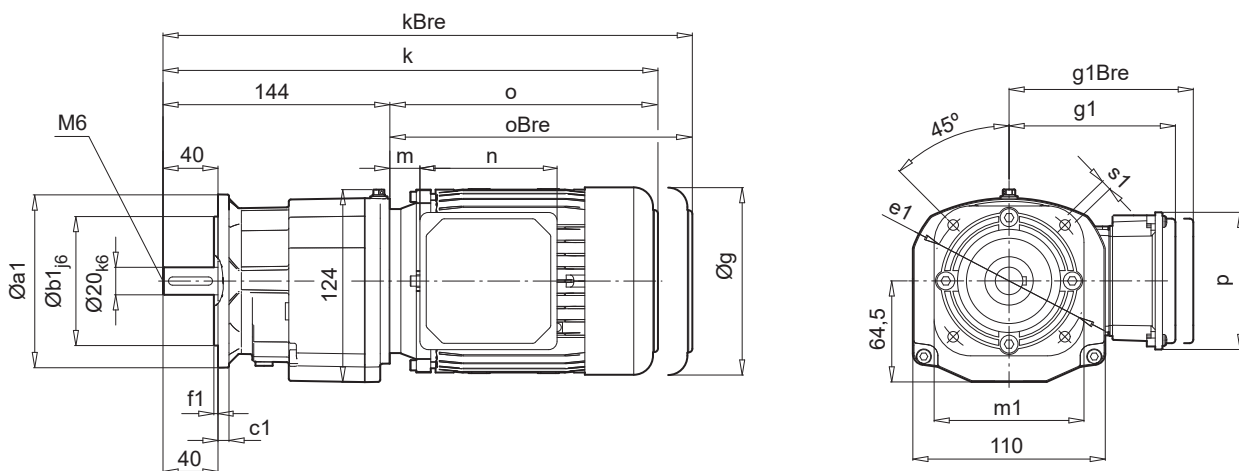
SK 072.1 SK 072.1F



SK 072.1



SK 072.1F

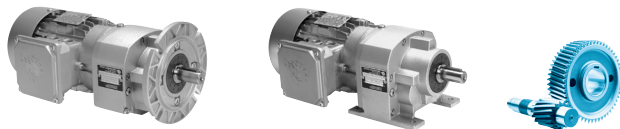


a1	b1	c1	e1	f1	s1	m1
120	80	7	100	3,0	6,6	90
140	95	9	115	3,0	9	110
160	110	10	130	3,5	9	125

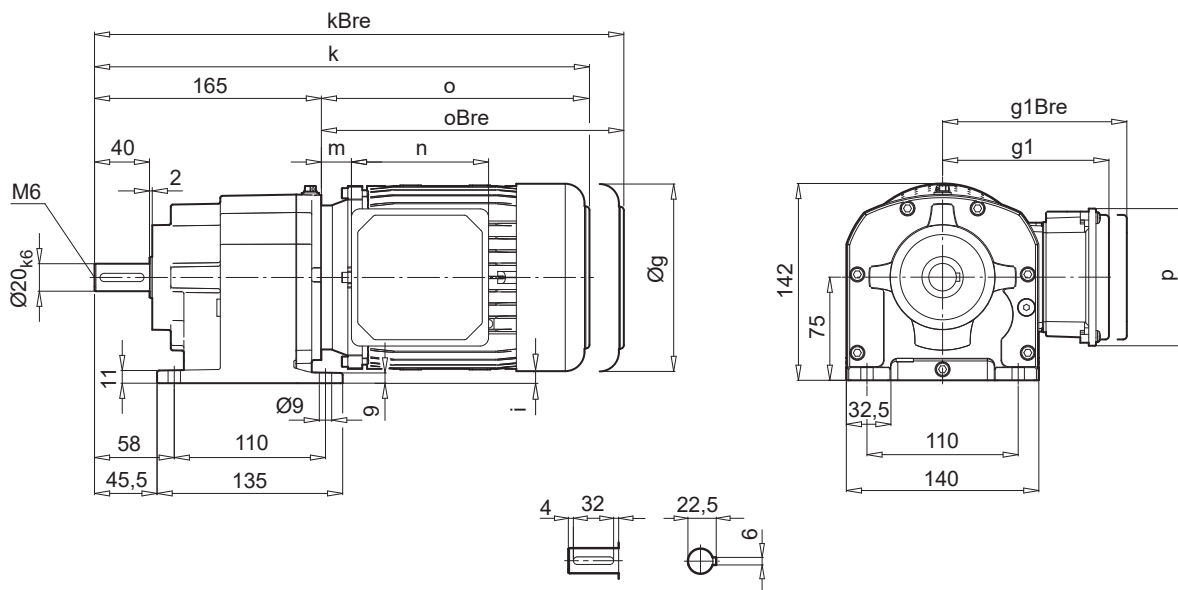
± ⇄ A61	63 S / L	63 LA	71 S / L	71 LA			
g	130	130	145	145			
g1 / g1Bre	115 / 123	115 / 123	124 / 133	124 / 133			
k / kBre	336 / 392	336 / 392	358 / 416	358 / 416			
o / oBre	192 / 248	192 / 248	214 / 272	214 / 272			
m / mBre	12 / 19	12 / 19	20 / 27	20 / 27			
n / nBre	100 / 134	100 / 134	100 / 134	100 / 134			
p / pBre	100 / 89	100 / 89	100 / 89	100 / 89			
i	-	-	-7,5	-7,5			

IEC ⇄ A12

NORDBLOC.1
helical gear units

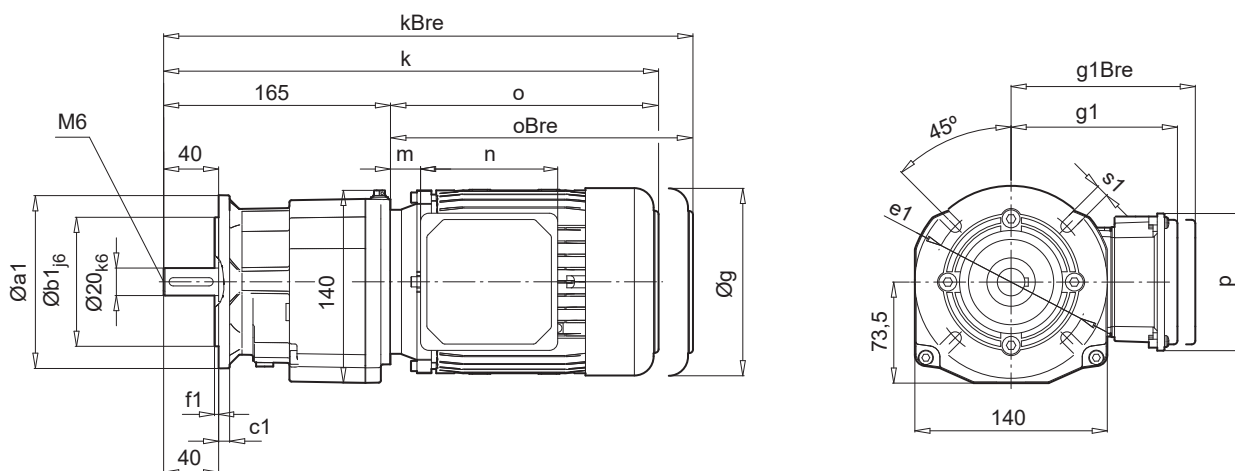


SK 172.1



NORDBLOC.1
helical gear units

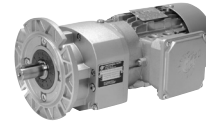
SK 172.1F



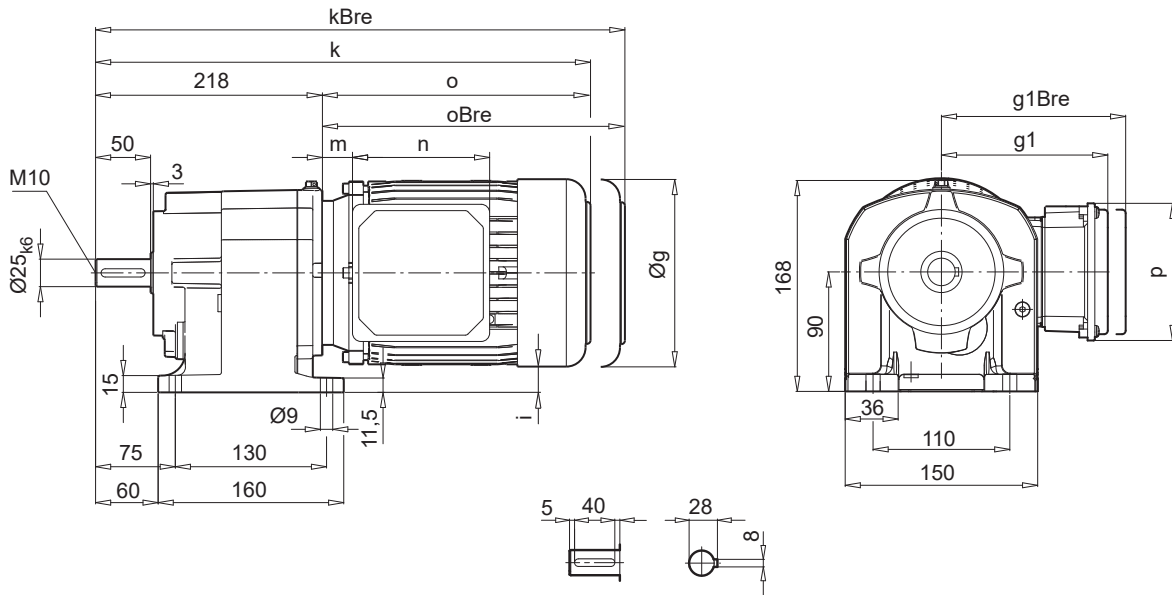
a1	b1	c1	e1	f1	s1
120	80	8	100	3,0	6,6
140	95	8	115	3,0	9
160	110	10	130	3,5	9
200	130	12	165	3,5	11

± ⇨ A61	63 S / L	71 S / L	80 SH	80 LP	90 SP/LP		
g	130	145	165	165	183		
g1 / g1Bre	115 / 123	124 / 133	142 / 142	142 / 142	147 / 147		W ⇨ B60
k / kBre	357 / 413	379 / 437	401 / 465	401 / 465	441 / 516		
o / oBre	192 / 248	214 / 272	236 / 300	236 / 300	276 / 351		
m / mBre	12 / 19	20 / 27	22 / 26	22 / 26	26 / 30		IEC ⇨ A12
n / nBre	100 / 134	100 / 134	114 / 153	114 / 153	114 / 153		
p / pBre	100 / 89	100 / 89	114 / 108	114 / 108	114 / 108		
i	10	2,5	-7,5	-7,5	-16,5		

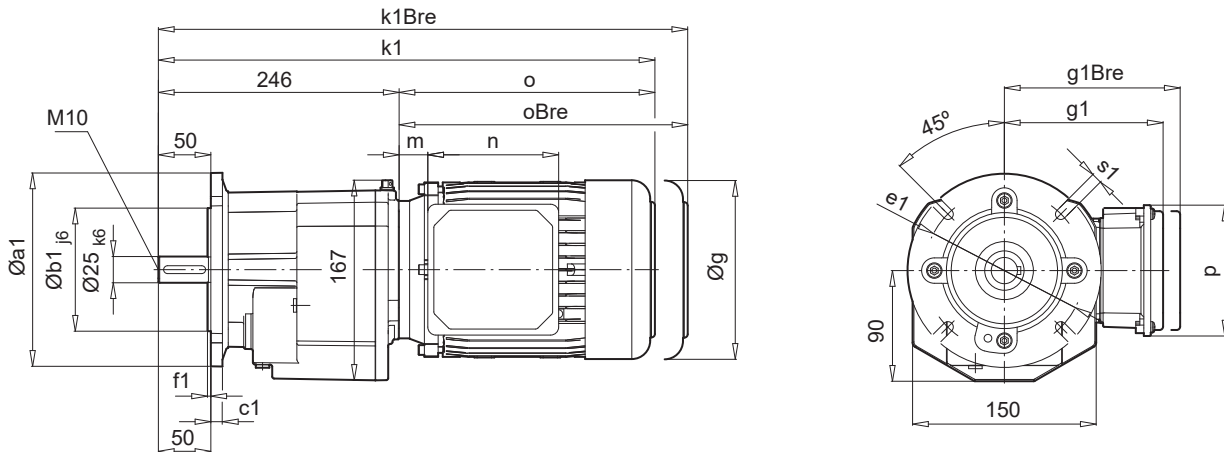
SK 372.1 SK 372.1F



SK 372.1



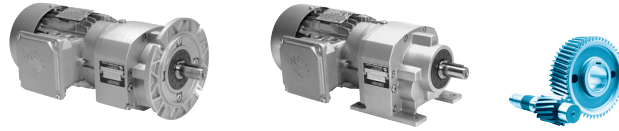
SK 372.1F



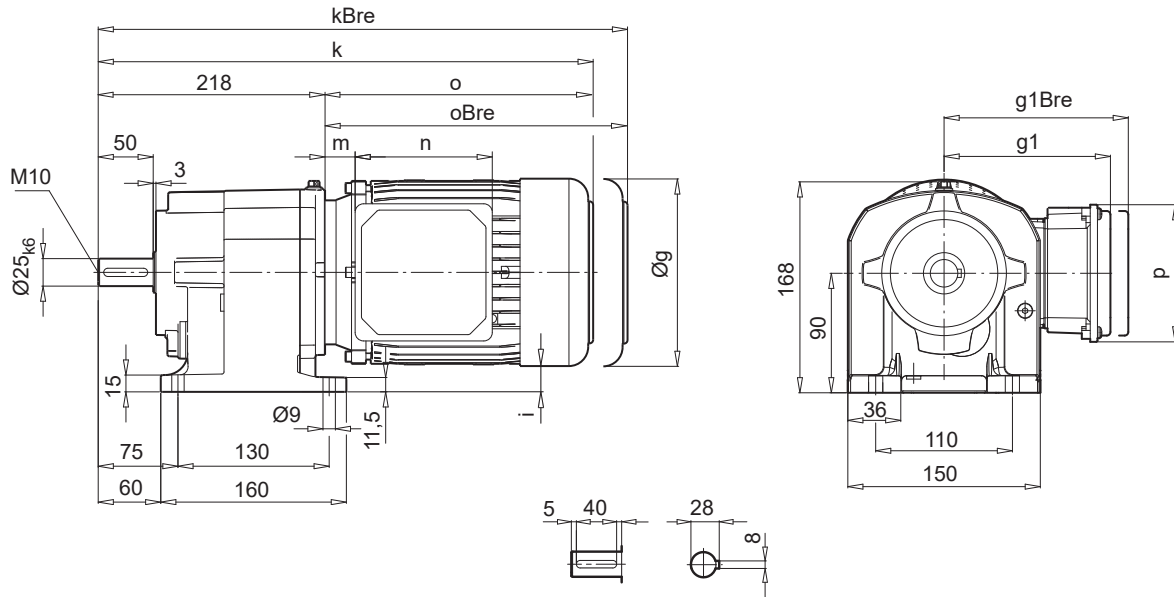
a1	b1	c1	e1	f1	s1
120	⇒ A8, B75				
140	95	9	115	3,0	8,6
160	110	10	130	3,5	8,6
200	130	12	165	3,5	11
250	180	15	215	4,0	13,5

± ⇒ A61	63 S / L	71 S / L	80 SH	80 LP	90 SP/LP	100 LP/AP	
g	130	145	165	165	183	201	
g1 / g1Bre	115 / 123	124 / 133	142 / 142	142 / 142	147 / 147	169 / 172	W ⇒ B60
k / kBre	414 / 470	454 / 512	479 / 543	479 / 543	520 / 595	550 / 641	
k1 / k1Bre	442 / 498	482 / 540	507 / 571	507 / 571	548 / 623	578 / 669	
o / oBre	196 / 252	236 / 294	261 / 325	261 / 325	302 / 377	332 / 423	
m / mBre	16 / 23	42 / 49	47 / 51	47 / 51	52 / 56	58 / 62	
n / nBre	100 / 134	100 / 134	114 / 153	114 / 153	114 / 153	114 / 153	
p / pBre	100 / 89	100 / 89	144 / 108	144 / 108	144 / 108	144 / 108	
i	25	17,5	7,5	7,5	-1,5	-10,5	

NORDBLOC.1
helical gear units

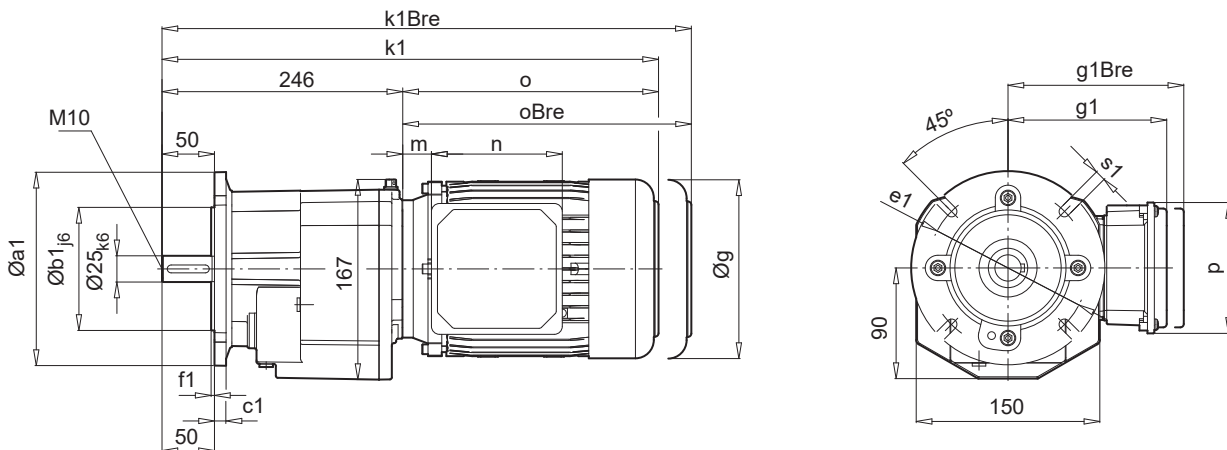


SK 373.1



NORDBLOC.1
helical gear units

SK 373.1F



a1	b1	c1	e1	f1	s1
120	⇒ A8, B75				
140	95	9	115	3,0	8,6
160	110	10	130	3,5	8,6
200	130	12	165	3,5	11
250	180	15	215	4,0	13,5

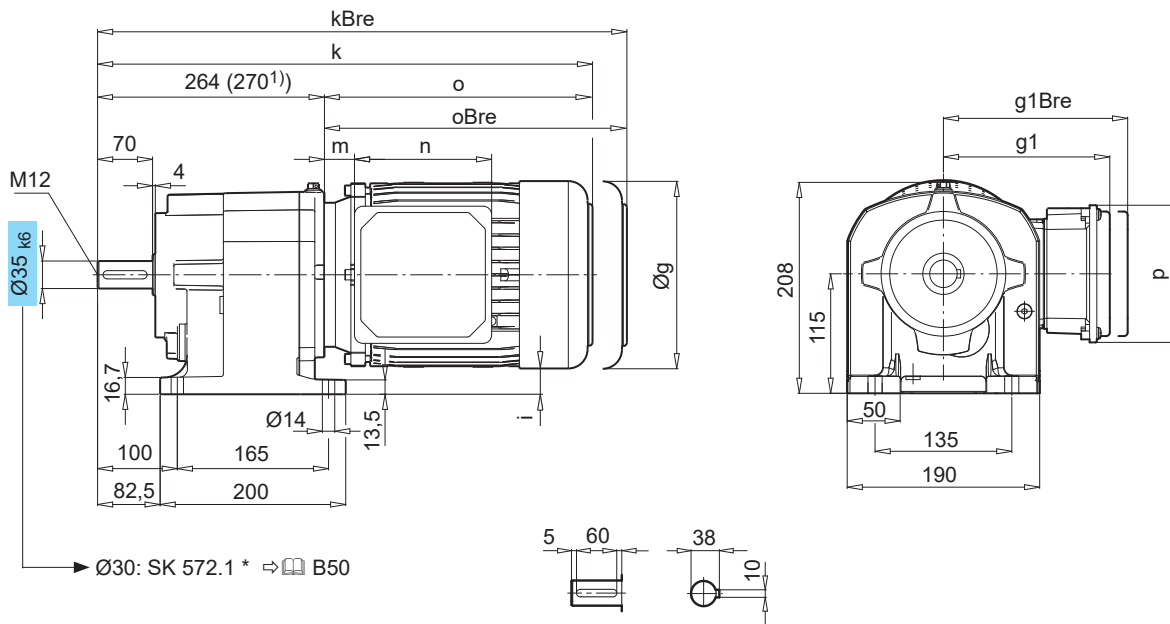
± ⇒ A61	63 S / L	71 S / L	80 SH	80 LP	90 SP/LP		
g	130	145	165	165	183		
g1 / g1Bre	115 / 123	124 / 133	142 / 142	142 / 142	147 / 147		W ⇒ B60
k / kBre	414 / 470	454 / 512	479 / 543	479 / 543	520 / 595		
k1 / k1Bre	442 / 498	482 / 540	507 / 571	507 / 571	548 / 623		
o / oBre	196 / 252	236 / 294	261 / 325	261 / 325	302 / 377		
m / mBre	16 / 23	42 / 49	47 / 51	47 / 51	52 / 56		
n / nBre	100 / 134	100 / 134	114 / 153	114 / 153	114 / 153		
p / pBre	100 / 89	100 / 89	144 / 108	144 / 108	144 / 108		
i	25	17,5	7,5	7,5	-1,5		

SK 572.1 SK 572.1F

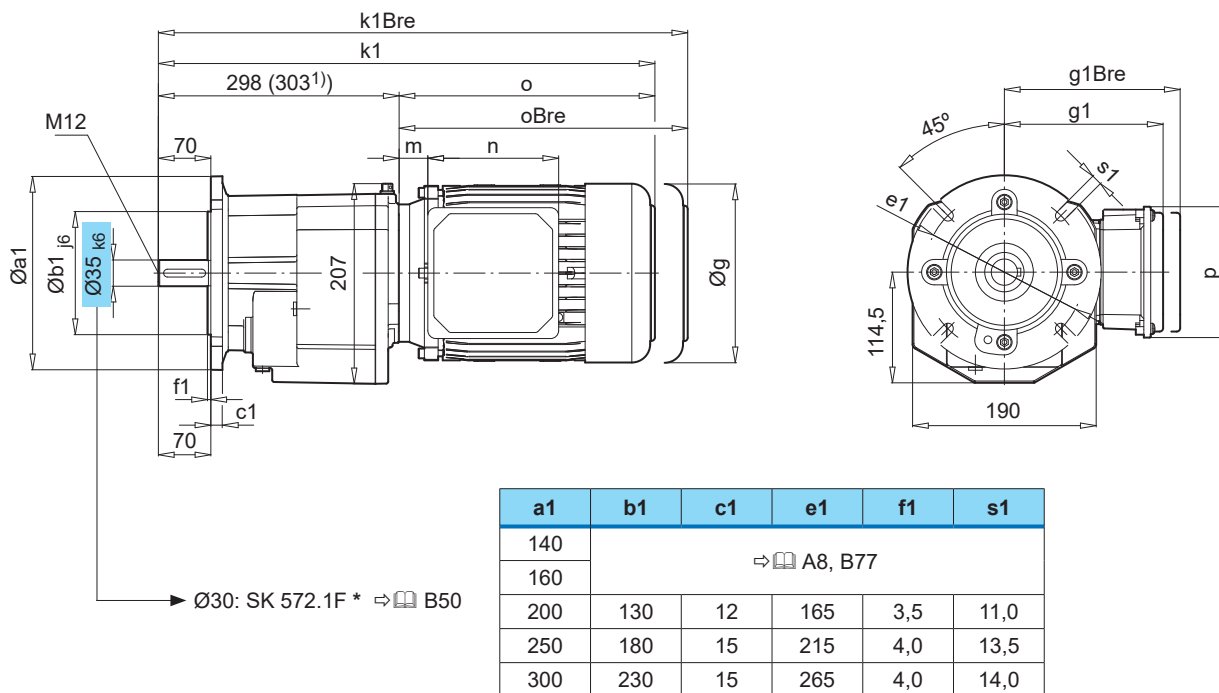


SK 572.1

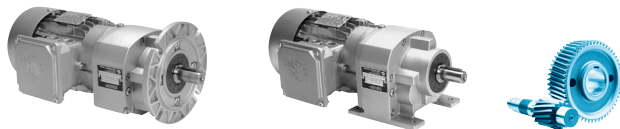
NORDBLOC.1
helical gear units



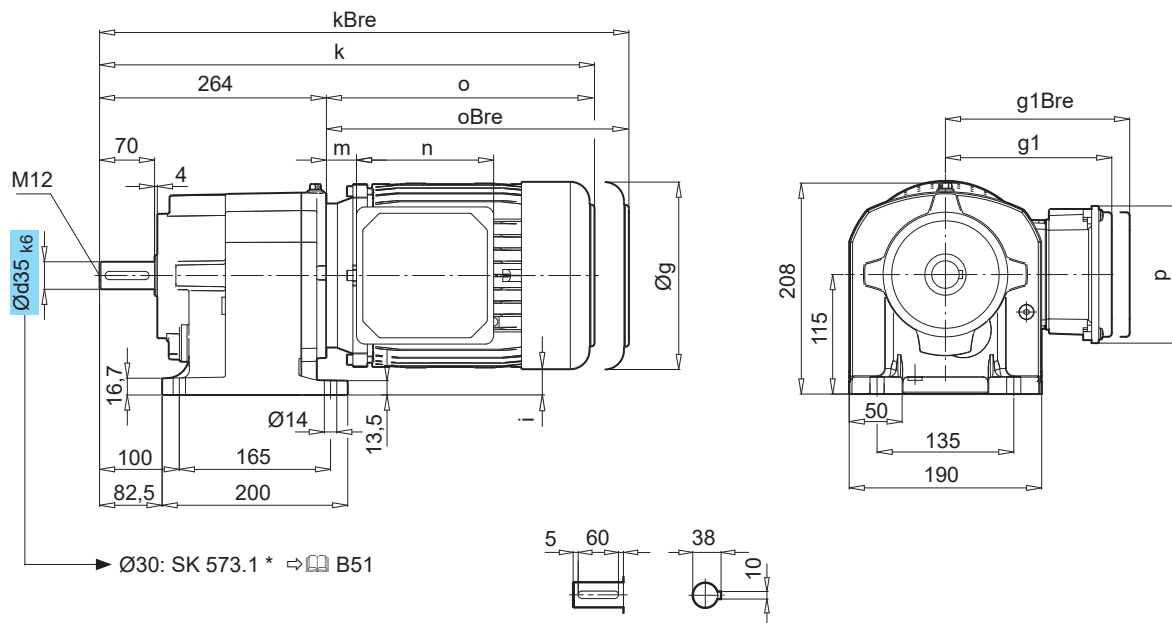
SK 572.1F



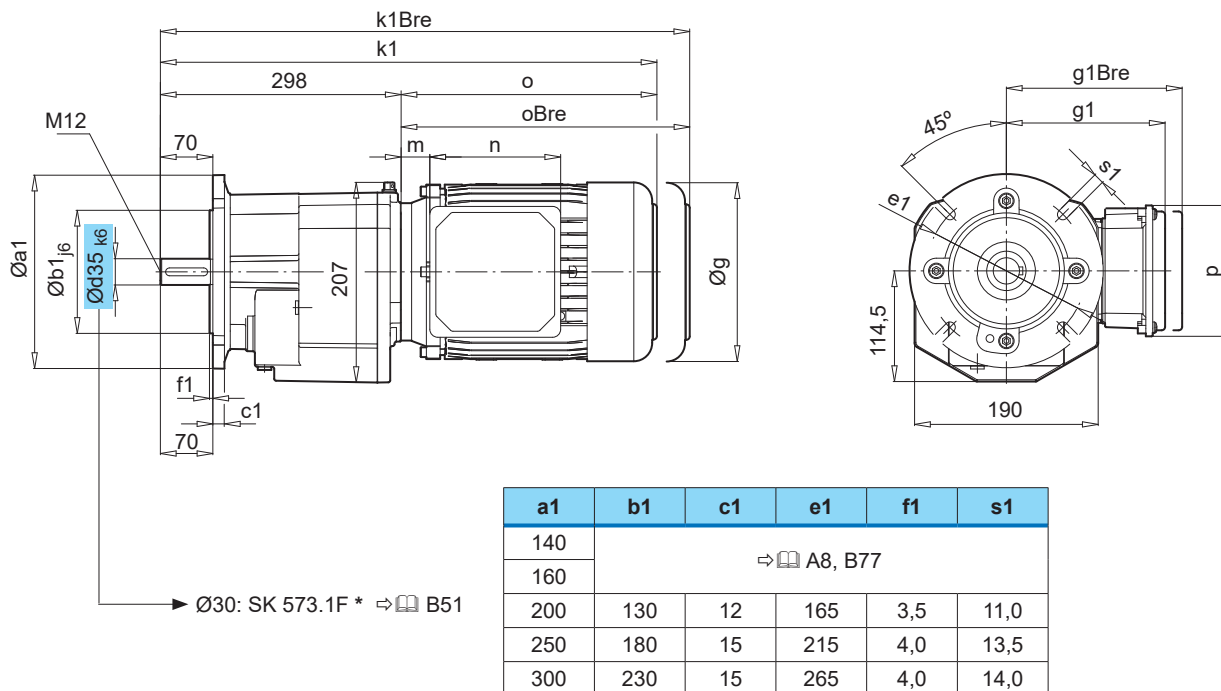
± ⇒ A61	71 S / L	80 SH	80 LP	90 SP/LP	100 LP/AP	112 MP	132 SP/MP 1)	
g	145	165	165	183	201	228	264	W ⇒ B60
g1 / g1Bre	124 / 133	142 / 142	142 / 142	147 / 147	169 / 172	179 / 182	204 / 201	
k / kBre	500 / 558	525 / 589	525 / 589	566 / 641	596 / 687	644 / 738	705 / 812	
k1 / k1Bre	534 / 592	559 / 623	559 / 623	600 / 675	630 / 721	678 / 772	738 / 846	
o / oBre	236 / 294	261 / 325	261 / 325	302 / 377	332 / 423	380 / 474	435 / 542	IEC ⇒ A12
m / mBre	42 / 49	47 / 51	47 / 51	52 / 56	58 / 62	64 / 67	71 / 62	
n / nBre	100 / 134	114 / 153	114 / 153	114 / 153	114 / 153	114 / 153	122 / 185	
p / pBre	100 / 89	144 / 108	144 / 108	144 / 108	144 / 108	144 / 108	144 / 108	
i	42,5	32,5	32,5	23,5	14,5	1	-26	



SK 573.1



SK 573.1F



± ⇒ A61	63 S / L	71 S / L	80 SH	80 LP	90 SP/LP	100 LP/AP	112 MP	
g	130	145	165	165	183	201	228	
g1 / g1Bre	115 / 123	124 / 133	142 / 142	142 / 142	147 / 147	169 / 172	179 / 182	W ⇒ B60
k / kBre	460 / 516	500 / 558	525 / 589	525 / 589	566 / 641	597 / 687	644 / 738	
k1 / k1Bre	494 / 550	534 / 592	559 / 623	559 / 623	600 / 675	630 / 720	677 / 771	
o / oBre	196 / 252	236 / 294	261 / 325	261 / 325	302 / 377	332 / 423	380 / 474	
m / mBre	16 / 23	42 / 49	47 / 51	47 / 51	52 / 56	58 / 62	64 / 67	IEC ⇒ A12
n / nBre	100 / 134	100 / 134	114 / 153	114 / 153	114 / 153	114 / 153	114 / 153	
p / pBre	100 / 89	100 / 89	144 / 108	144 / 108	144 / 108	144 / 108	144 / 108	
i	50	42,5	32,5	32,5	23,5	14,5	1	

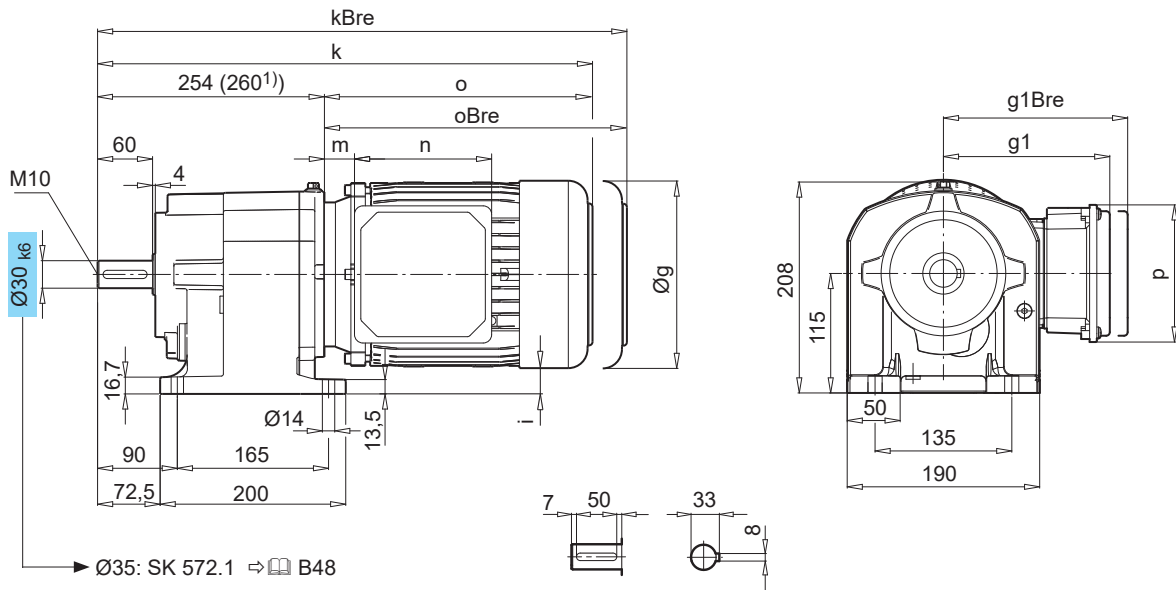
NORDBLOC.1
helical gear units

SK 572.1 SK 572.1F

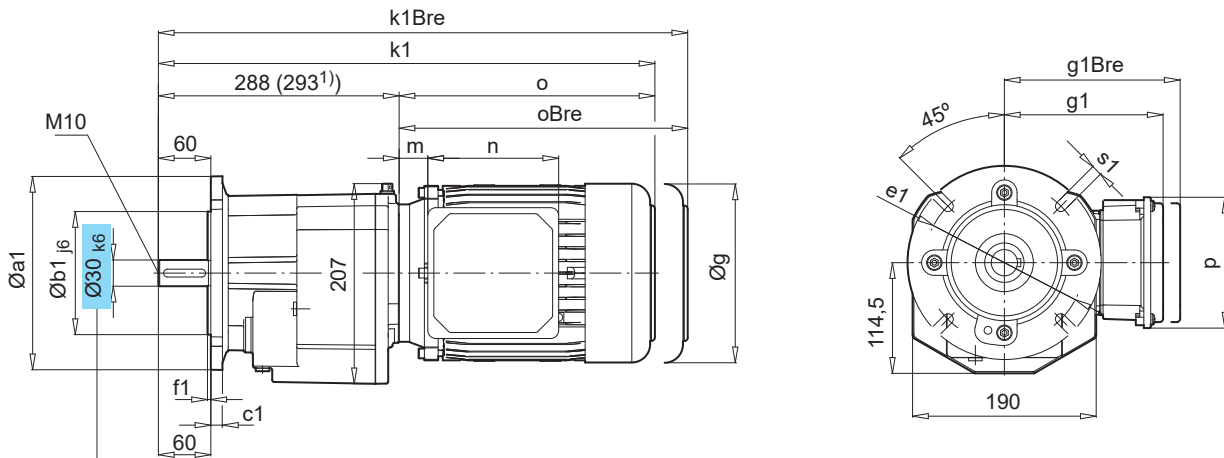


SK 572.1 *

NORDBLOC.1
helical gear units



SK 572.1F *

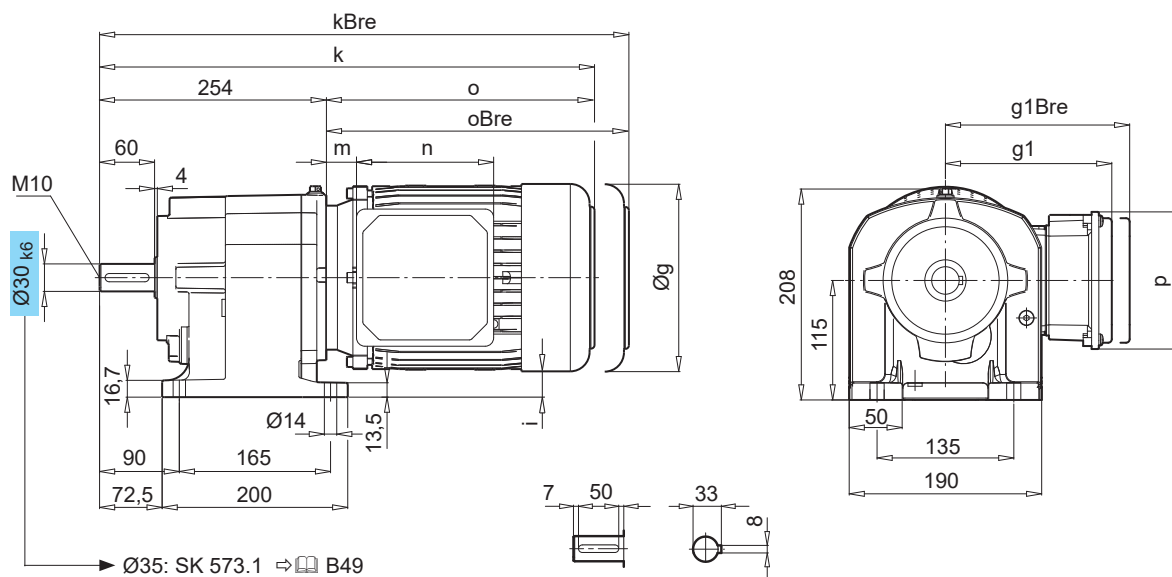


a1	b1	c1	e1	f1	s1
140	⇒ A8, B76				
160					
200	130	12	165	3,5	11,0
250	180	15	215	4,0	13,5
300	230	15	265	4,0	14,0

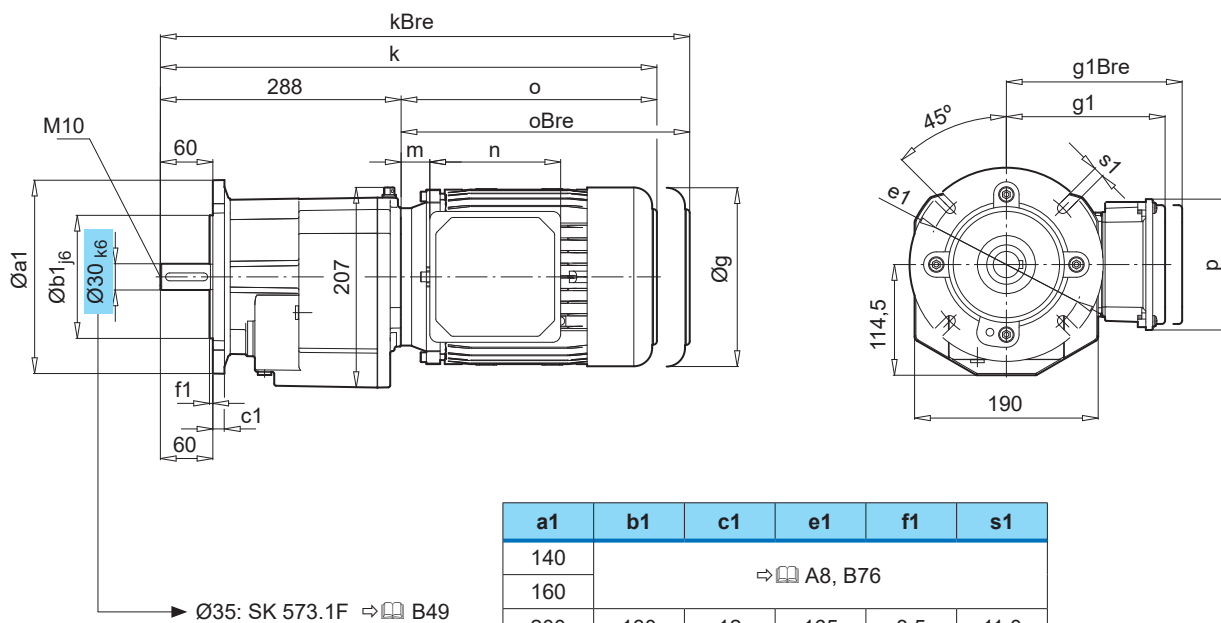
± ⇒ A61	71 S / L	80 SH	80 LP	90 SP/LP	100 LP/AP	112 MP	132 SP/MP 1)	
g	145	165	165	183	201	228	264	
g1 / g1Bre	124 / 133	142 / 142	142 / 142	147 / 147	169 / 172	179 / 182	204 / 201	W ⇒ B60
k / kBre	490 / 548	515 / 579	515 / 579	556 / 631	586 / 677	634 / 728	695 / 802	
k1 / k1Bre	524 / 582	549 / 613	549 / 613	590 / 665	620 / 711	668 / 762	728 / 835	
o / oBre	236 / 294	261 / 325	261 / 325	302 / 377	332 / 423	380 / 474	435 / 542	
m / mBre	42 / 49	47 / 51	47 / 51	52 / 56	58 / 62	64 / 67	71 / 62	IEC ⇒ A12
n / nBre	100 / 134	114 / 153	114 / 153	114 / 153	114 / 153	114 / 153	122 / 185	
p / pBre	100 / 89	144 / 108	144 / 108	144 / 108	144 / 108	144 / 108	144 / 108	
i	42,5	32,5	32,5	23,5	14,5	1	-26	



SK 573.1 *



SK 573.1F *



a1	b1	c1	e1	f1	s1
140	⇒ B A8, B76				
160					
200	130	12	165	3,5	11,0
250	180	15	215	4,0	13,5
300	230	15	265	4,0	14,0

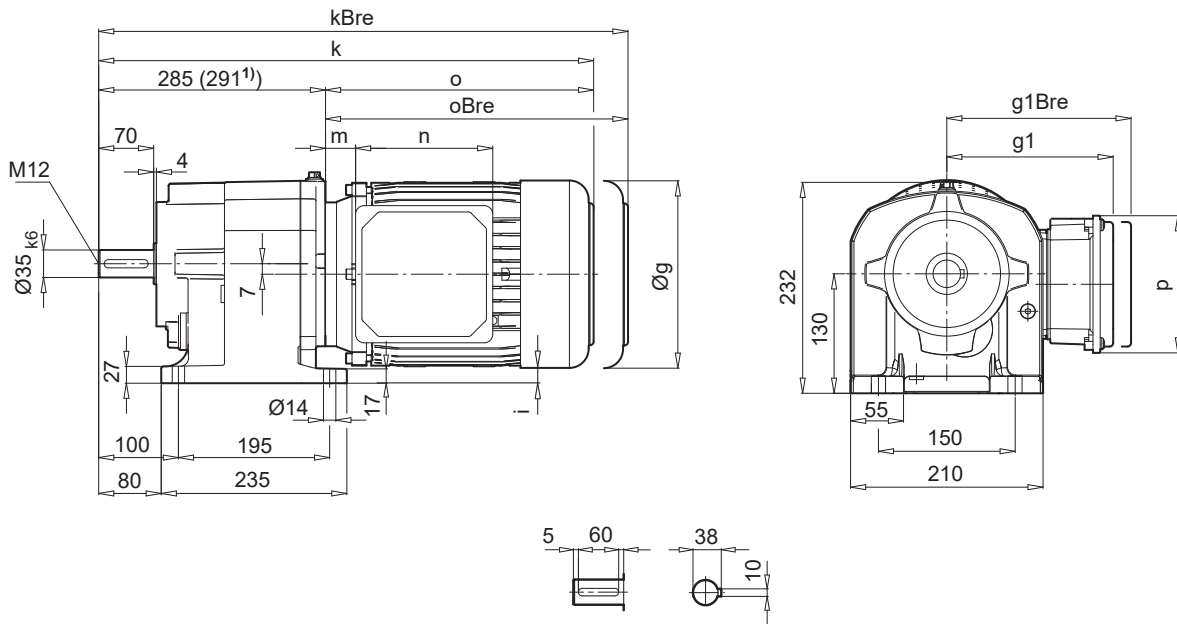
± ⇒ A61	63 S / L	71 S / L	80 SH	80 LP	90 SP/LP	100 LP/AP	112 MP	
g	130	145	165	165	183	201	228	
g1 / g1Bre	115 / 123	124 / 133	142 / 142	142 / 142	147 / 147	169 / 172	179 / 182	W ⇒ B60
k / kBre	450 / 506	490 / 548	515 / 579	515 / 579	556 / 631	586 / 677	634 / 728	
k1 / k1Bre	484 / 540	524 / 582	549 / 613	549 / 613	590 / 665	620 / 711	668 / 762	
o / oBre	196 / 252	236 / 294	261 / 325	261 / 325	302 / 377	332 / 423	380 / 474	
m / mBre	16 / 22	42 / 49	47 / 51	47 / 51	52 / 56	58 / 62	64 / 67	
n / nBre	100 / 134	100 / 134	114 / 153	114 / 153	114 / 153	114 / 153	114 / 153	
p / pBre	100 / 89	100 / 89	144 / 108	144 / 108	144 / 108	144 / 108	144 / 108	IEC ⇒ A12
i	50	42,5	32,5	32,5	23,5	14,5	1	

NORDBLOC.1
helical gear units

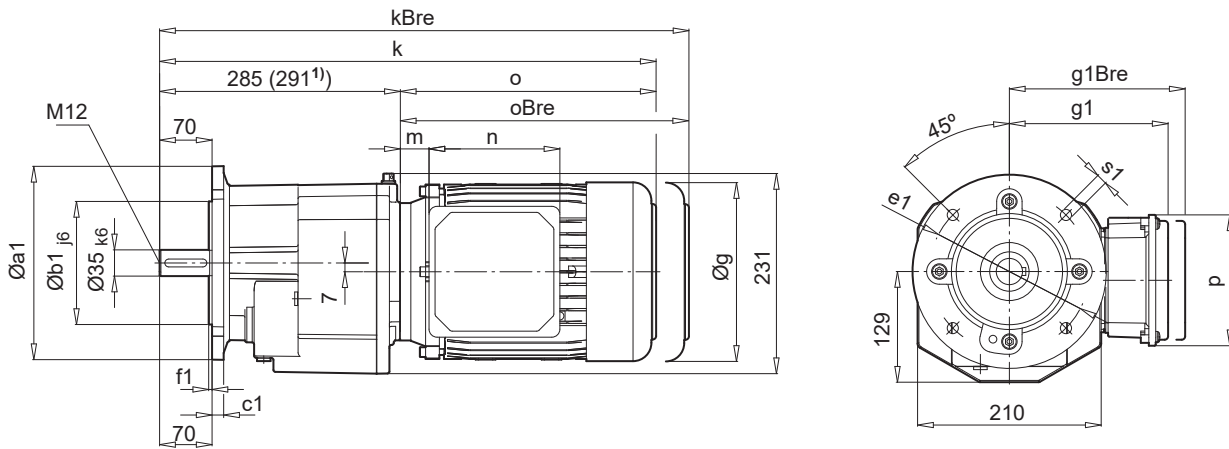
SK 672.1 SK 672.1F



SK 672.1



SK 672.1F



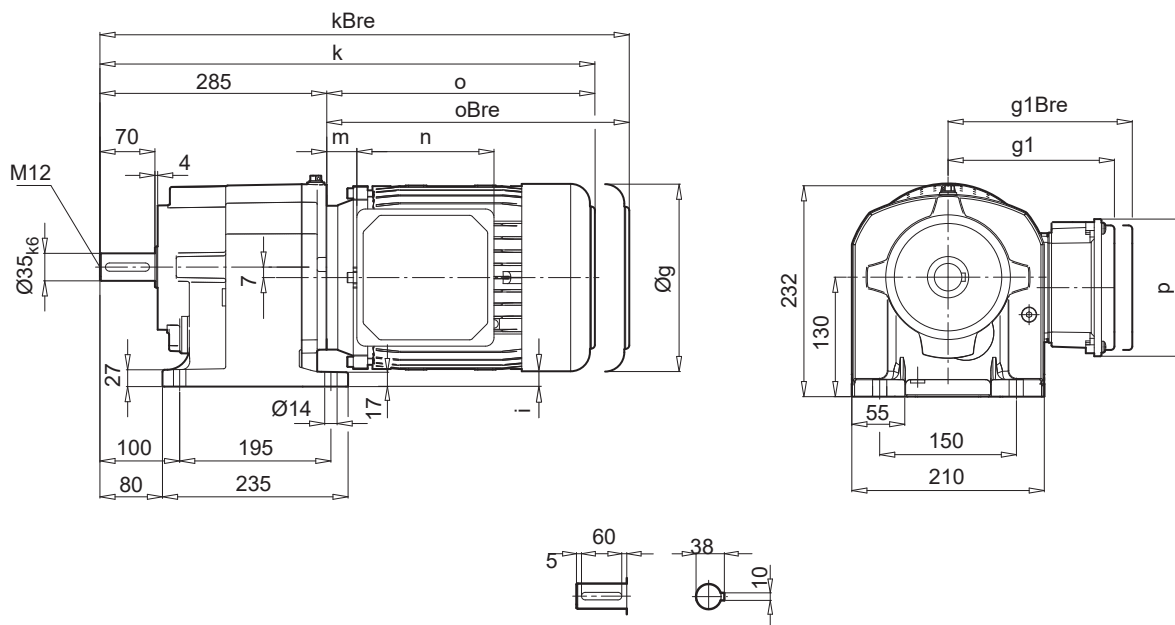
a1	b1	c1	e1	f1	s1
200	130	12	165	3,5	11
250	180	16	215	4	14

± ⇨ A61	80 LP	90 SP/LP	100 LP/AP	112 MP	132 SP/MP 1)		
g	165	183	201	228	264		
g1 / g1Bre	142 / 142	147 / 147	169 / 172	179 / 182	204 / 201		W ⇨ B60
k / kBre	546 / 610	587 / 662	617 / 708	664 / 758	726 / 833		
o / oBre	261 / 325	302 / 377	332 / 423	380 / 474	435 / 542		
m / mBre	47 / 51	52 / 56	58 / 62	64 / 67	71 / 62		IEC ⇨ A12
n / nBre	114 / 153	114 / 153	114 / 153	114 / 153	122 / 185		
p / pBre	114 / 108	114 / 108	114 / 108	114 / 108	122 / 139		
i	40,5	31,5	22,5	9	-10		

NORDBLOC.1
helical gear units

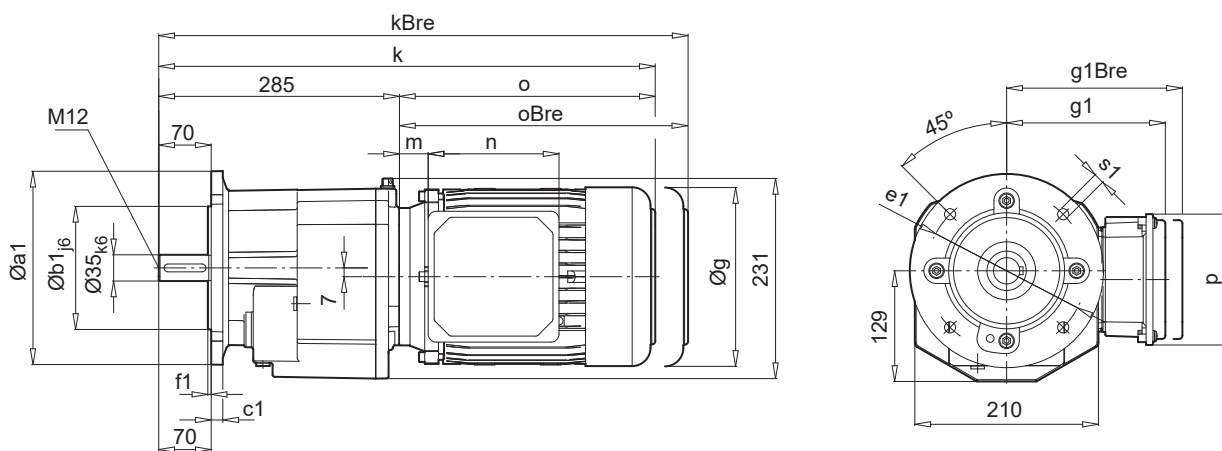


SK 673.1



NORDBLOC.1
helical gear units

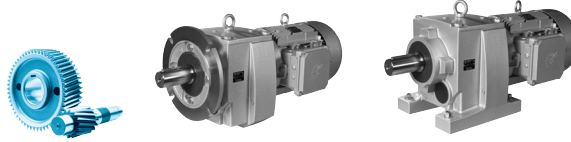
SK 673.1F



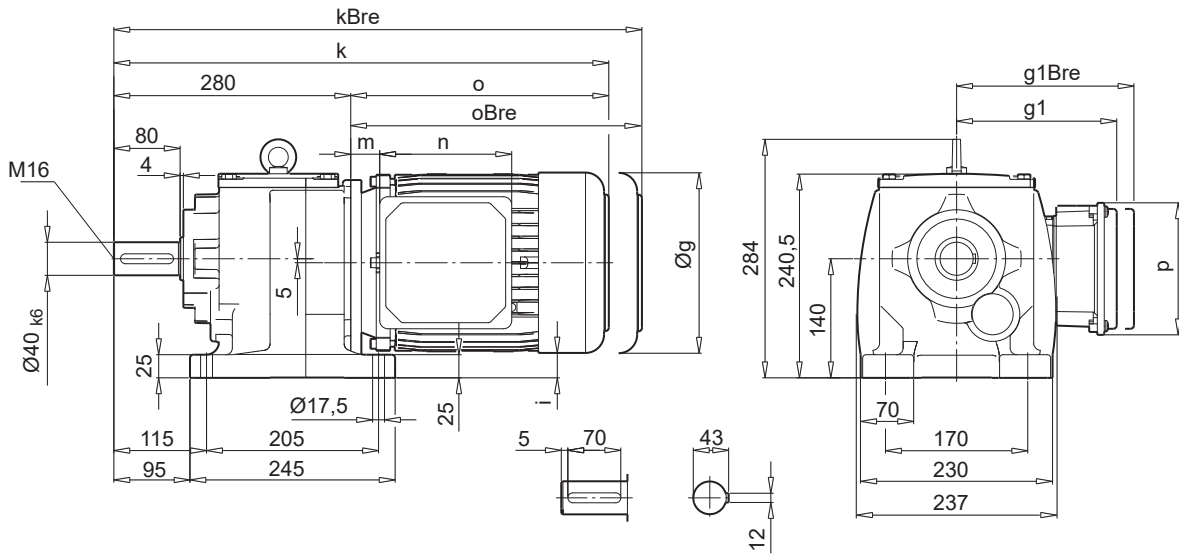
a1	b1	c1	e1	f1	s1
200	130	12	165	3,5	11
250	180	16	215	4	14

± ⇨ A61	63 S / L	71 S / L	80 SH	80 LP	90 SP/LP	100 LP/AP		
g	130	145	165	165	183	201		
g1 / g1Bre	115 / 123	124 / 133	142 / 142	142 / 142	147 / 147	169 / 172		W ⇨ B60
k / kBre	481 / 537	521 / 579	546 / 610	546 / 610	587 / 662	617 / 708		
o / oBre	196 / 252	236 / 294	261 / 325	261 / 325	302 / 377	332 / 423		
m / mBre	16 / 23	42 / 49	47 / 51	47 / 51	52 / 56	58 / 62		
n / nBre	100 / 134	100 / 134	114 / 153	114 / 153	114 / 153	114 / 153		
p / pBre	100 / 89	100 / 89	114 / 108	114 / 108	114 / 108	114 / 108		IEC ⇨ A12
i	58	50,5	40,5	40,5	31,5	22,5		

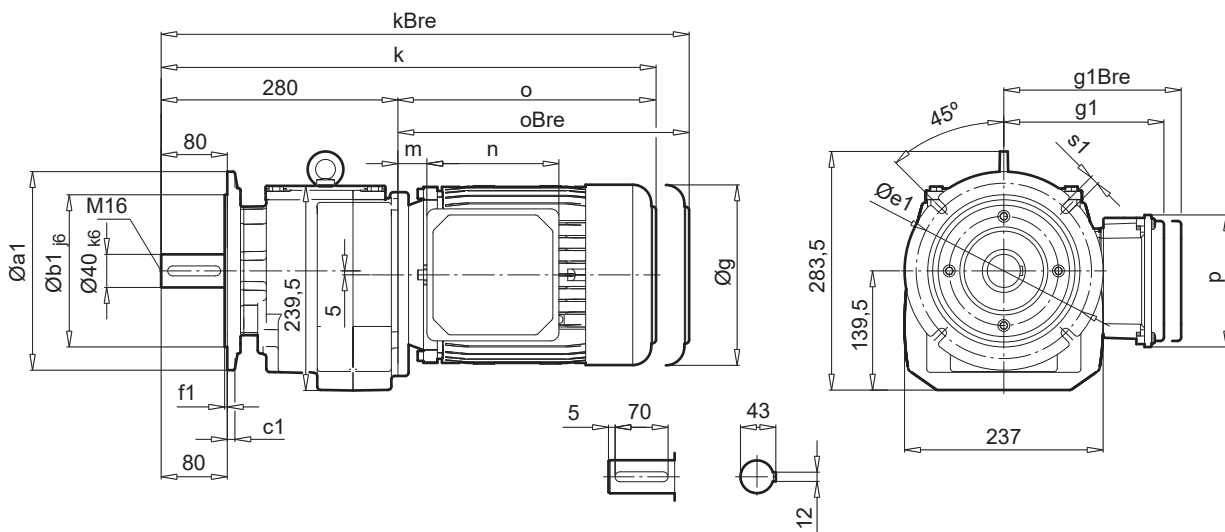
SK 772.1 SK 772.1F





SK 772.1

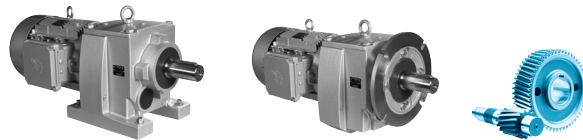


SK 772.1F

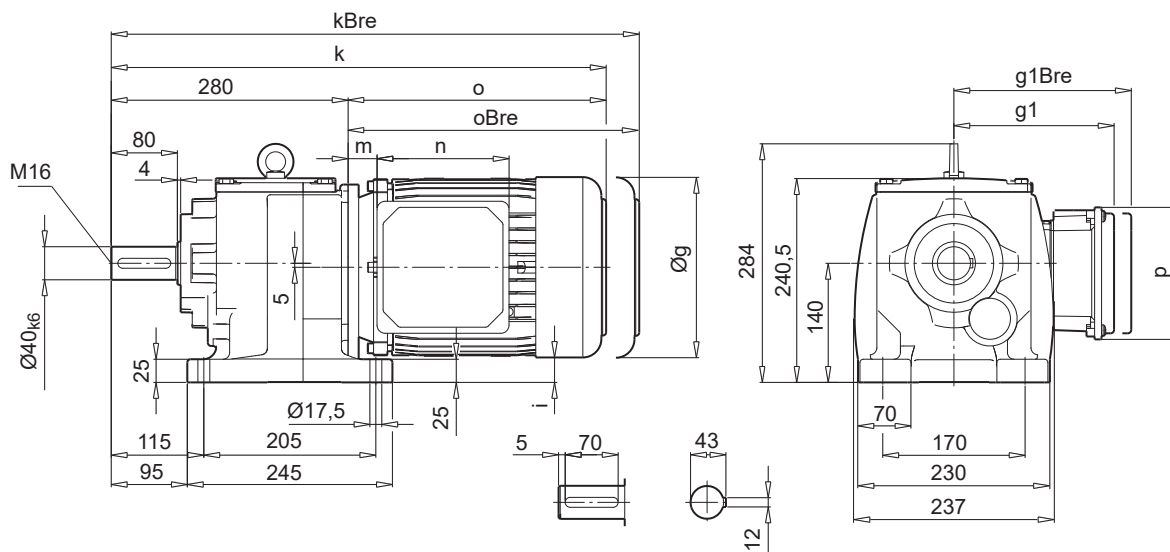


a1	b1	c1	e1	f1	s1
200	130	12	165	4	11
250	180	15	215	4	13,5
300	230	18	265	4	13,5

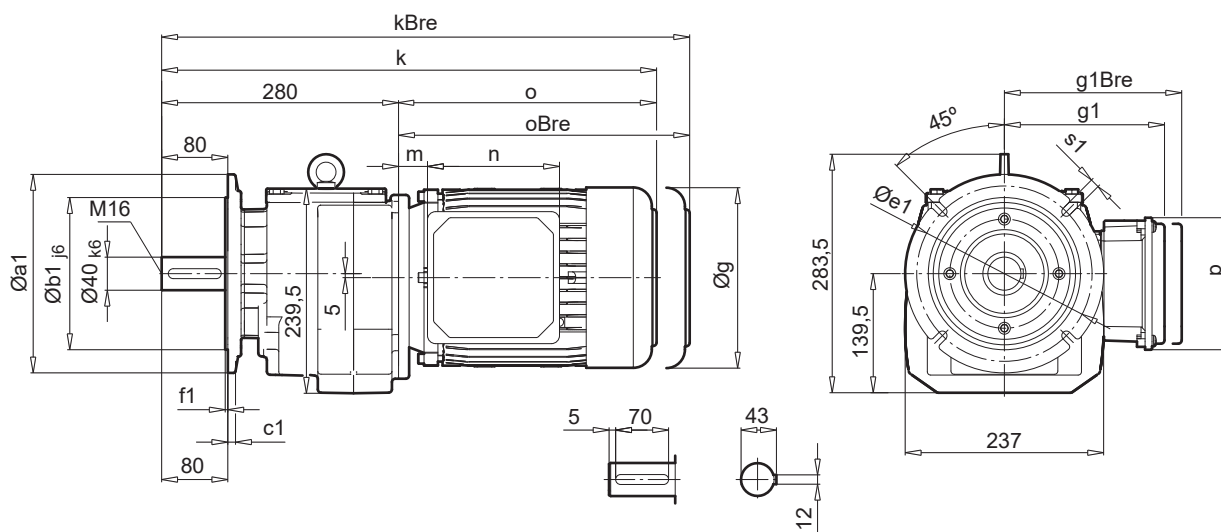
± ⇨ A61	90 LP	100 LP/AP	112 MP	132 SP/MP	160 SP/MP	160 LP	
g	183	201	228	264	320	320	
g1 / g1Bre	147 / 147	169 / 172	179 / 182	204 / 201	242 / 242	242 / 242	 W ⇨ B60
k / kBre	576 / 651	606 / 697	654 / 748	715 / 822	792 / 927	836 / 971	
o / oBre	296 / 371	326 / 417	374 / 468	435 / 542	512 / 647	556 / 691	
m / mBre	46 / 49	52 / 56	58 / 61	71 / 62	72 / 72	72 / 72	
n / nBre	114 / 153	114 / 153	114 / 153	122 / 185	186 / 186	186 / 186	
p / pBre	114 / 108	114 / 108	114 / 108	122 / 139	186 / 186	186 / 186	 EC ⇨ A12
i	31,5	34,5	21	2	-25	-25	



SK 773.1



SK 773.1F



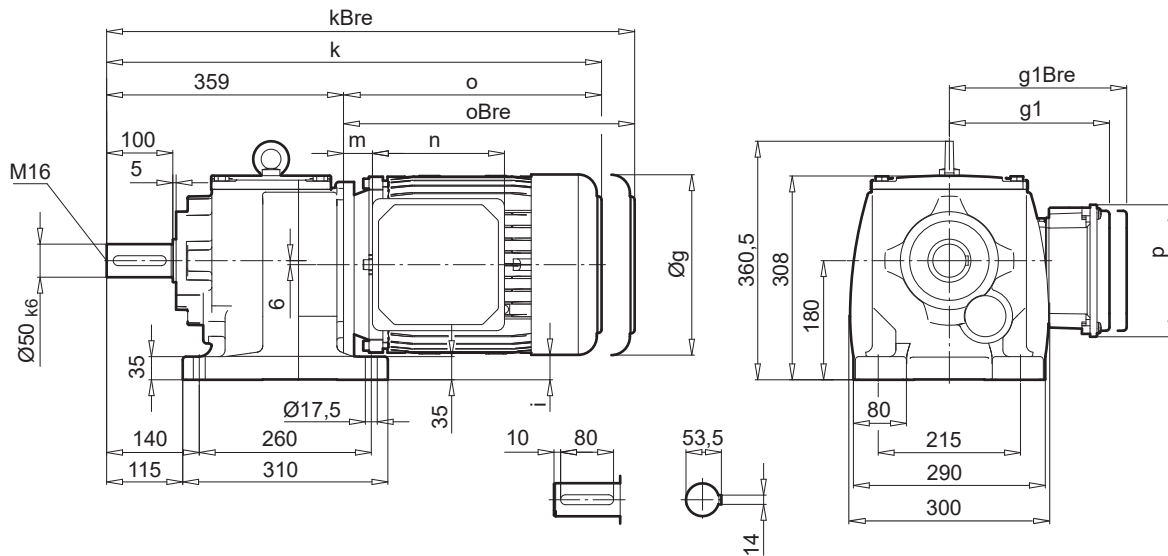
a1	b1	c1	e1	f1	s1
200	130	12	165	4	11
250	180	15	215	4	13,5
300	230	18	265	4	13,5

$\pm \Rightarrow \square$ A61	71 S / L	80 SH	80 LP	90 SP/LP	100 LP/AP	112 MP	132 SP	
g	145	165	165	183	201	228	264	
g1 / g1Bre	124 / 133	142 / 142	142 / 142	147 / 147	169 / 172	179 / 182	204 / 201	W \Rightarrow \square B60
k / kBre	510 / 568	535 / 599	535 / 599	576 / 651	606 / 697	654 / 748	715 / 822	
o / oBre	230 / 288	255 / 319	255 / 319	296 / 371	326 / 417	374 / 468	435 / 542	
m / mBre	36 / 43	41 / 45	41 / 45	46 / 50	52 / 56	58 / 61	71 / 62	
n / nBre	100 / 134	114 / 153	114 / 153	114 / 153	114 / 153	114 / 153	122 / 185	
p / pBre	100 / 89	114 / 108	114 / 108	114 / 108	114 / 108	114 / 108	122 / 139	IEC \Rightarrow \square A12
i	62,5	52,5	52,5	43,5	34,5	21	2	

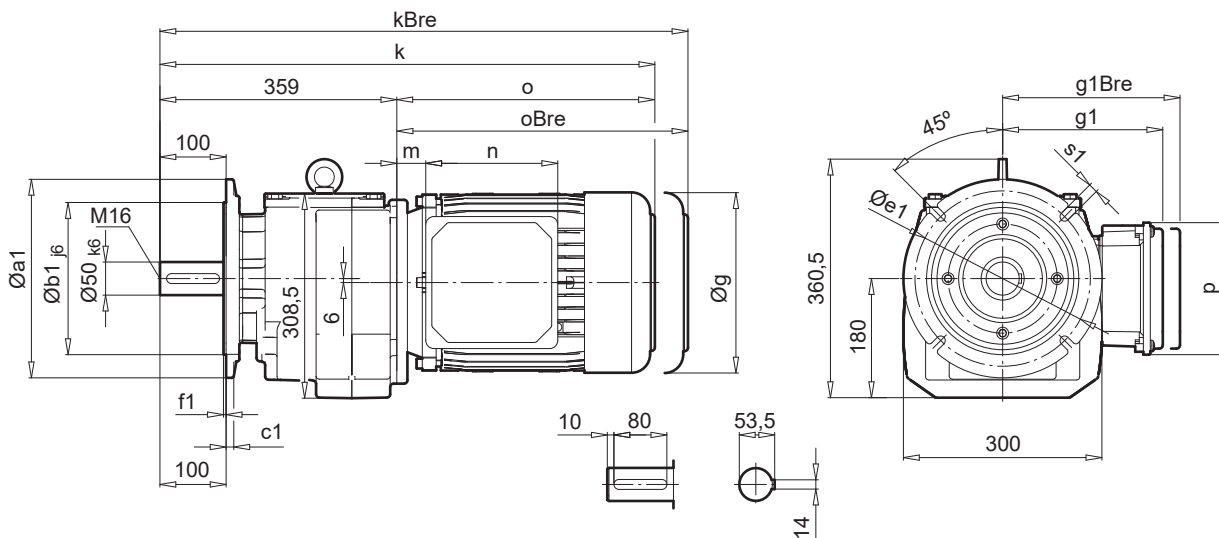
SK 872.1 SK 872.1F





SK 872.1

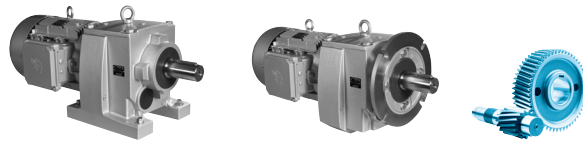


SK 872.1F

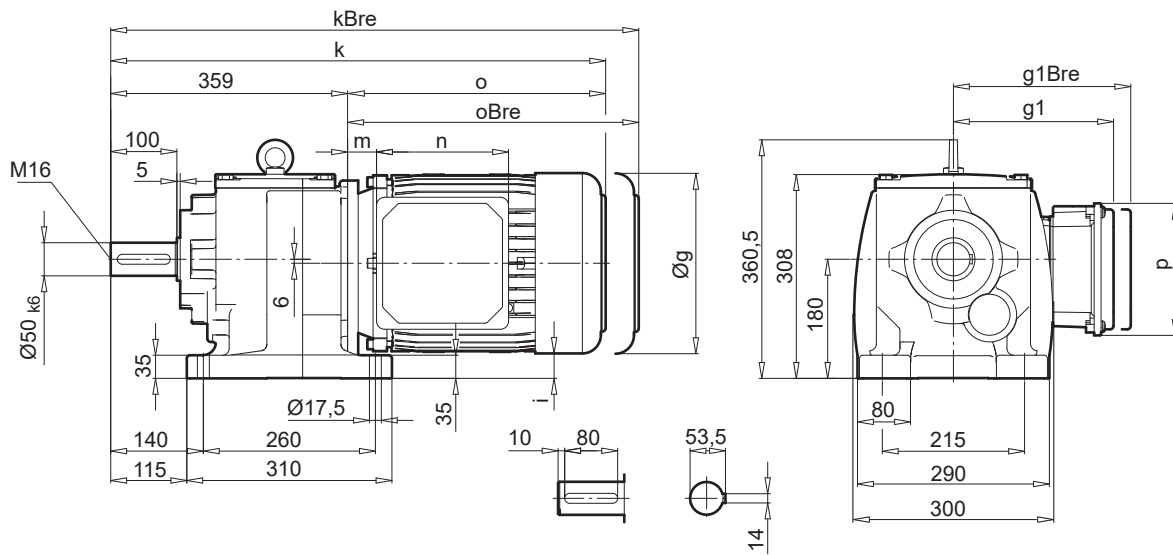


a1	b1	c1	e1	f1	s1
250	180	16	215	4	13,5
300	230	20	265	4	13,5
350	250	20	300	5	17,5

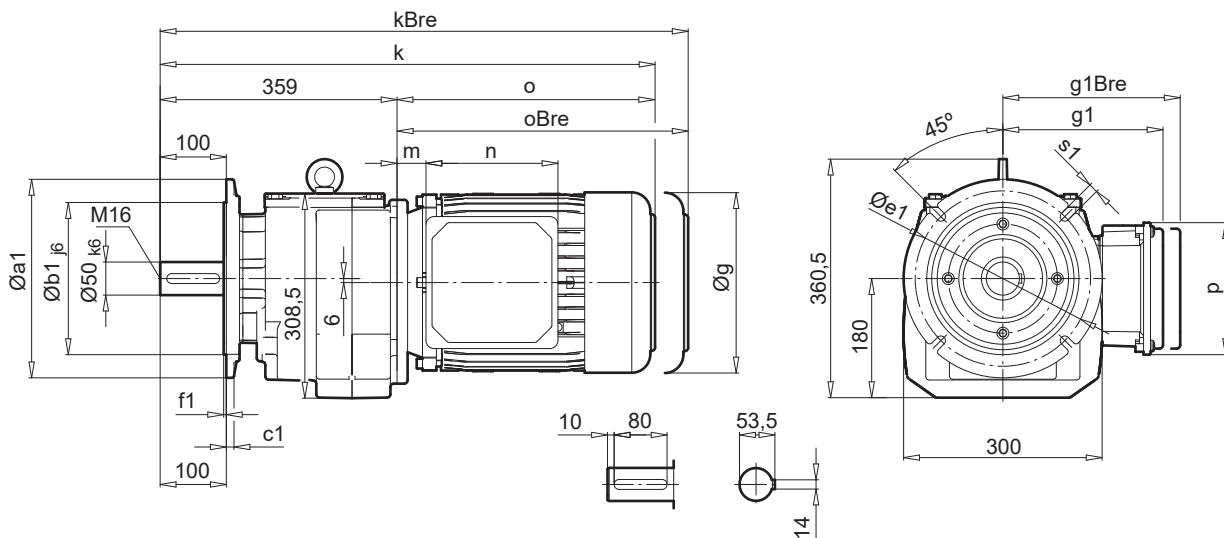
± ⇨ A61	100 LP/AP	112 MP	132 SP/MP	160 SP/MP	160 LP	180 MP/LP	
g	201	228	264	320	320	358	
g1 / g1Bre	169 / 172	179 / 182	204 / 201	242 / 242	242 / 242	259 / 259	 W ⇨ B60
k / kBre	665 / 756	713 / 807	774 / 881	851 / 986	895 / 1030	995 / 1122	
o / oBre	306 / 397	354 / 448	415 / 522	492 / 627	536 / 671	636 / 764	
m / mBre	32 / 35	36 / 41	51 / 42	52 / 52	52 / 52	75 / 75	
n / nBre	114 / 153	114 / 153	122 / 185	186 / 186	186 / 186	186 / 186	
p / pBre	114 / 108	114 / 108	122 / 139	186 / 186	186 / 186	186 / 186	 IEC, AI ⇨ 12
i	73,5	60	41	14	14	-5	



SK 873.1



SK 873.1F



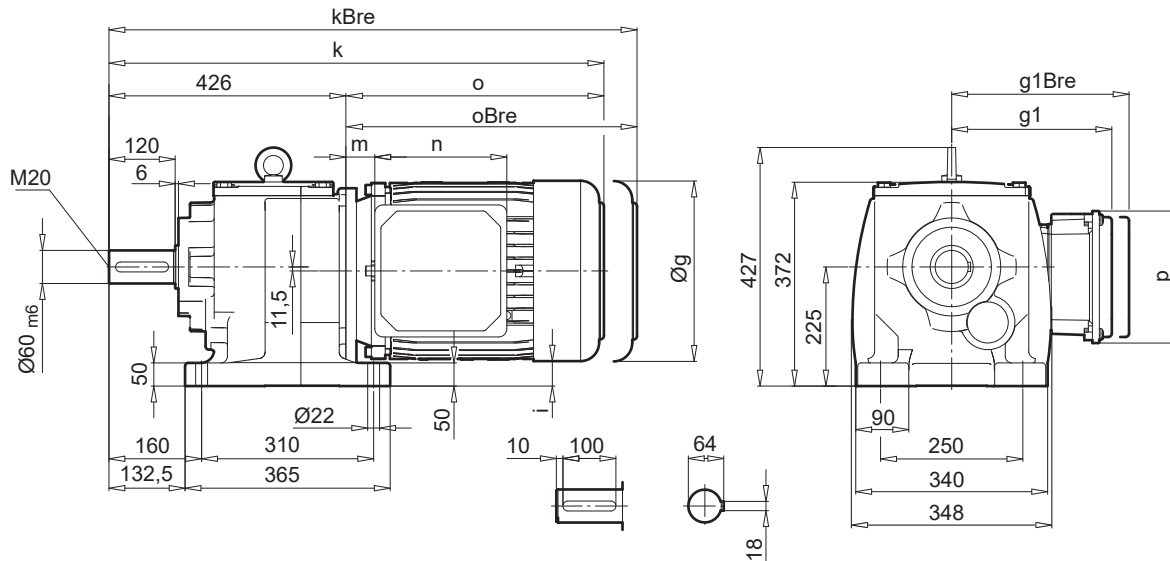
a1	b1	c1	e1	f1	s1
250	180	16	215	4	13,5
300	230	20	265	4	13,5
350	250	20	300	5	17,5

± ⇄ A61	90 SP/LP	100 LP/AP	112 MP	132 SP/MP	160 SP/MP	160 LP	
g	183	201	228	264	320	320	W ⇄ B60
g1 / g1Bre	147 / 147	169 / 172	179 / 182	204 / 201	242 / 242	242 / 242	
k / kBre	635 / 710	665 / 756	713 / 807	774 / 881	851 / 986	895 / 1030	EC, AI ⇄ 12
o / oBre	276 / 351	306 / 397	354 / 448	415 / 522	492 / 627	536 / 671	
m / mBre	26 / 29	32 / 35	38 / 41	51 / 42	52 / 52	52 / 52	
n / nBre	114 / 153	114 / 153	114 / 153	122 / 185	186 / 186	186 / 186	
p / pBre	114 / 108	114 / 108	114 / 108	122 / 139	186 / 186	186 / 186	
i	82,5	73,5	60	41	14	14	

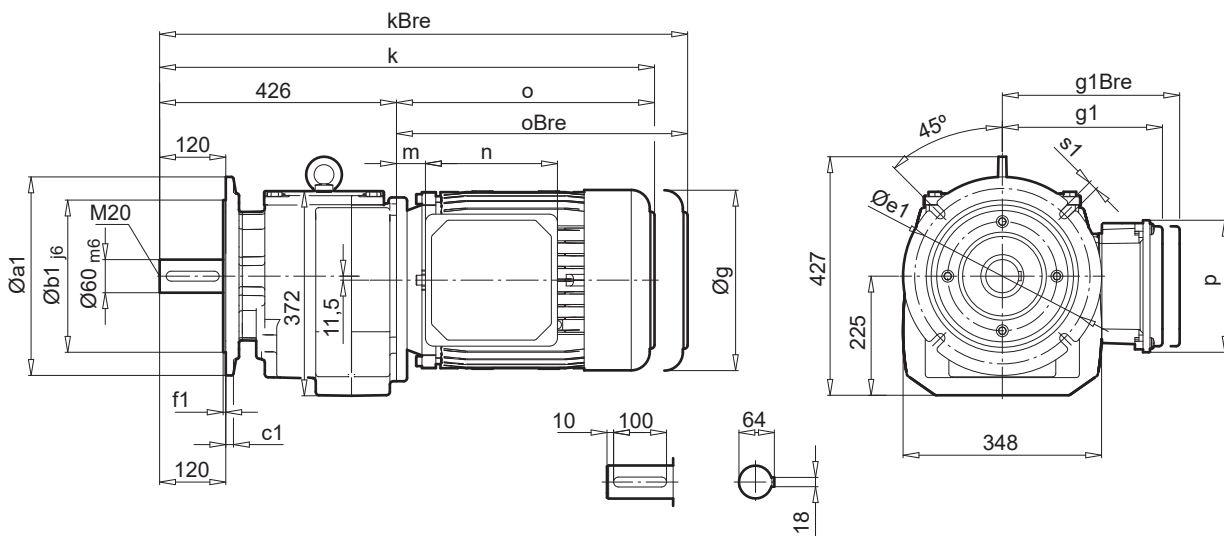
SK 972.1 SK 972.1F



SK 972.1

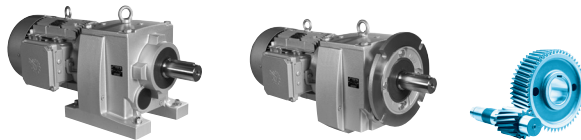


SK 972.1F

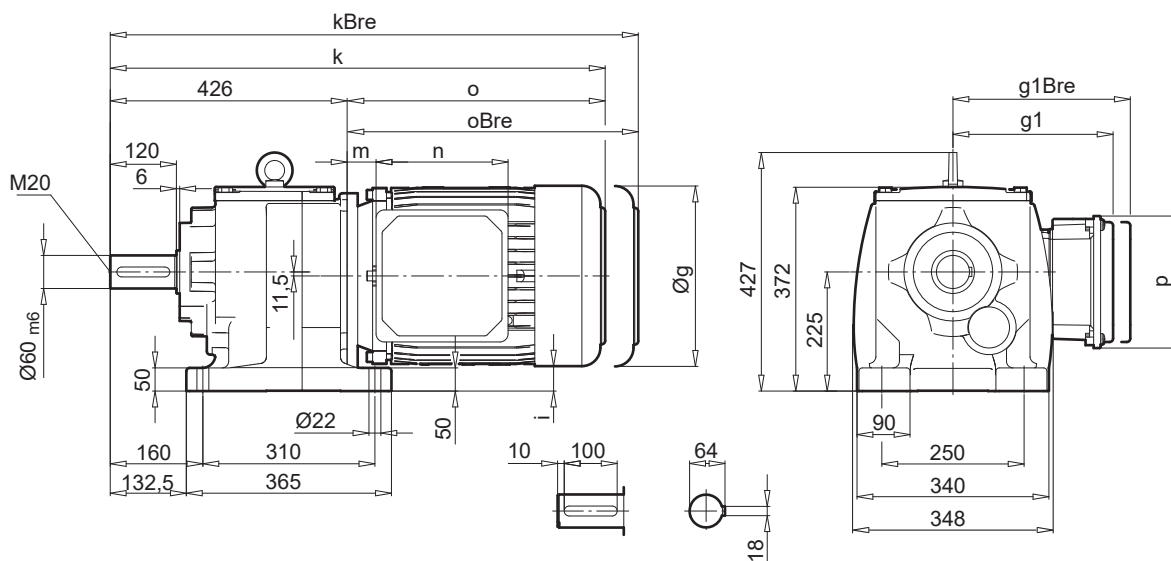


a1	b1	c1	e1	f1	s1
300	230	20	265	4	13,5
350	250	20	300	5	17,5
450	350	20	400	5	17,5

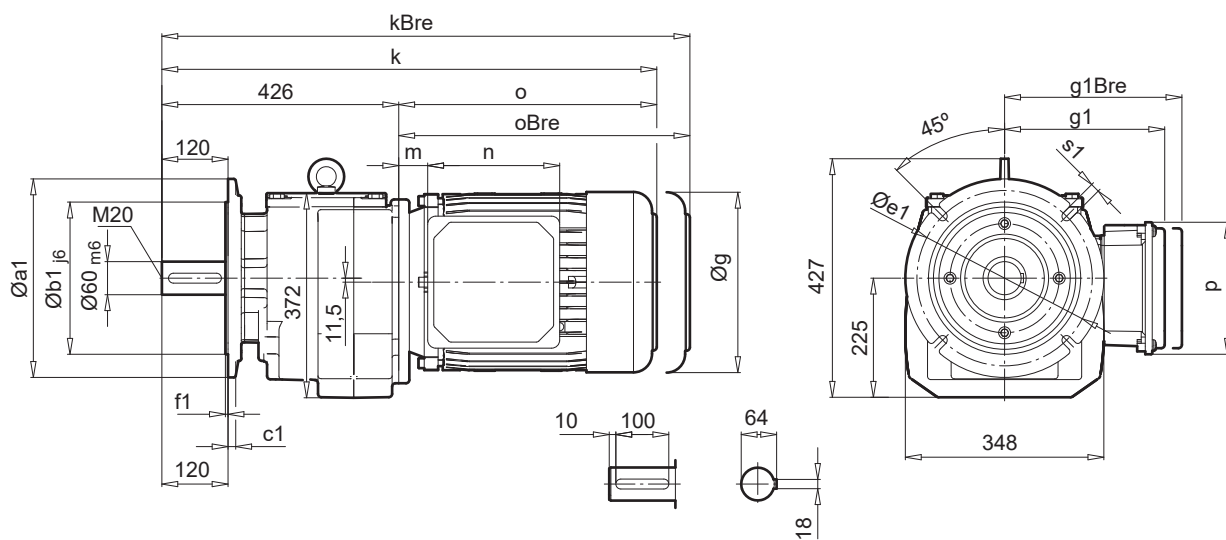
± ⇨ A61	112 MP	132 SP/MP	160 SP/MP	160 LP	180 MP/LP	225 SP	
g	228	264	320	320	358	445	W ⇨ B60
g1 / g1Bre	179 / 182	204 / 201	242 / 242	242 / 242	259 / 259	348 / 348	
k / kBre	780 / 874	841 / 948	918 / 1053	962 / 1097	1062 / 1189	1168 / 1348	
o / oBre	354 / 448	415 / 522	492 / 627	536 / 671	636 / 764	742 / 922	
m / mBre	38 / 41	51 / 42	52 / 52	52 / 52	75 / 75	94 / 94	IEC, AI ⇨ B12
n / nBre	114 / 153	122 / 185	186 / 186	186 / 186	186 / 186	245 / 245	
p / pBre	114 / 108	122 / 139	186 / 186	186 / 186	186 / 186	245 / 245	
i	99,5	80,5	53,5	53,5	34,5	-11	



SK 973.1

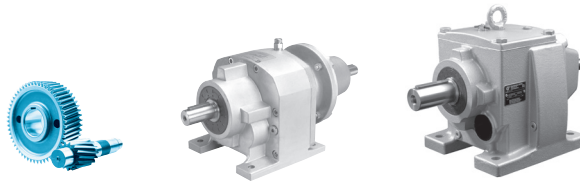


SK 973.1F

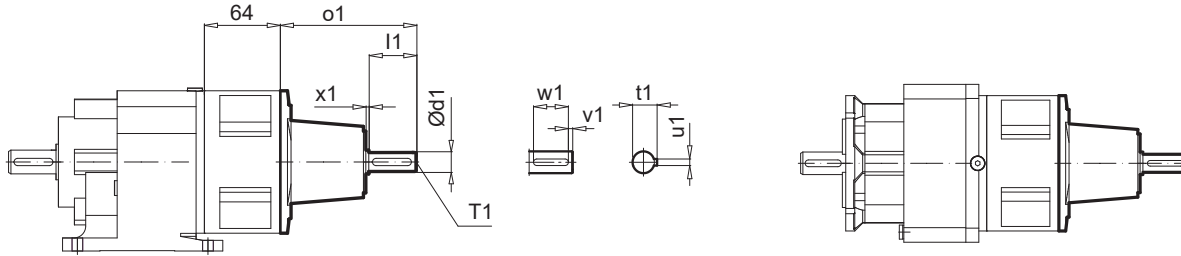


a1	b1	c1	e1	f1	s1
300	230	20	265	4	13,5
350	250	20	300	5	17,5
450	350	20	400	5	17,5

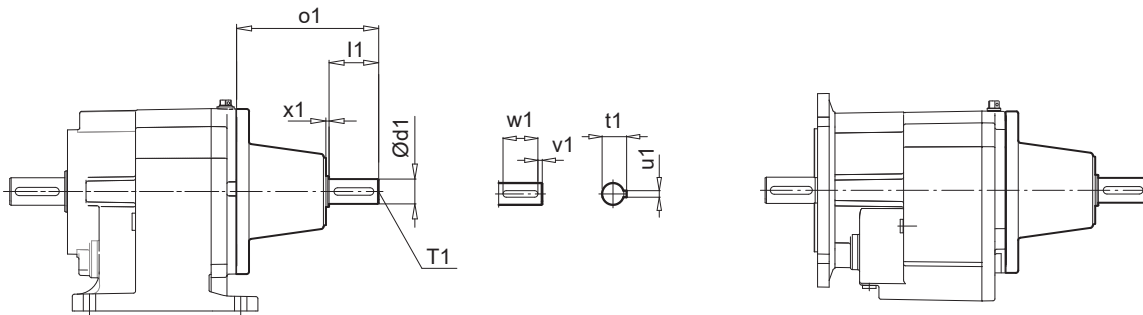
± ⇨ A61	90 SP/LP	100 LP/AP	112 MP	132 SP/MP	160 SP/MHP	160 LP	180 MP/LP	
g	183	201	228	266	320	320	358	W ⇨ B60
g1 / g1Bre	147 / 147	169 / 172	179 / 182	204 / 201	242 / 242	242 / 242	259 / 259	
k / kBre	701 / 776	731 / 822	780 / 874	841 / 948	918 / 1053	962 / 1097	1062 / 1189	
o / oBre	276 / 351	306 / 397	354 / 448	415 / 522	492 / 627	536 / 671	636 / 764	
m / mBre	26 / 30	32 / 36	38 / 41	51 / 42	52 / 52	52 / 52	75 / 75	IEC, AI ⇨ 12
n / nBre	114 / 153	114 / 153	114 / 153	122 / 185	186 / 186	186 / 186	186 / 186	
p / pBre	114 / 108	114 / 108	114 / 108	122 / 139	186 / 186	186 / 186	186 / 186	
i	122	113	99,5	80,5	53,5	53,5	34,5	



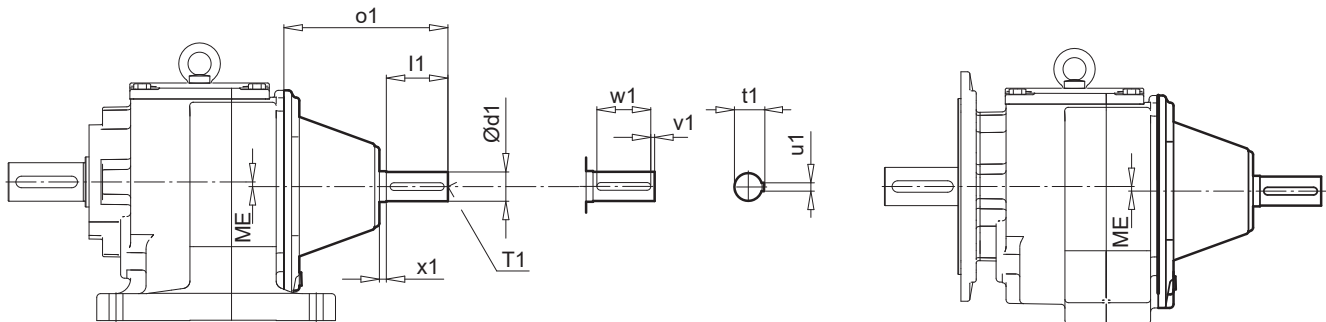
SK 172.1 - W
SK 172.1F - W



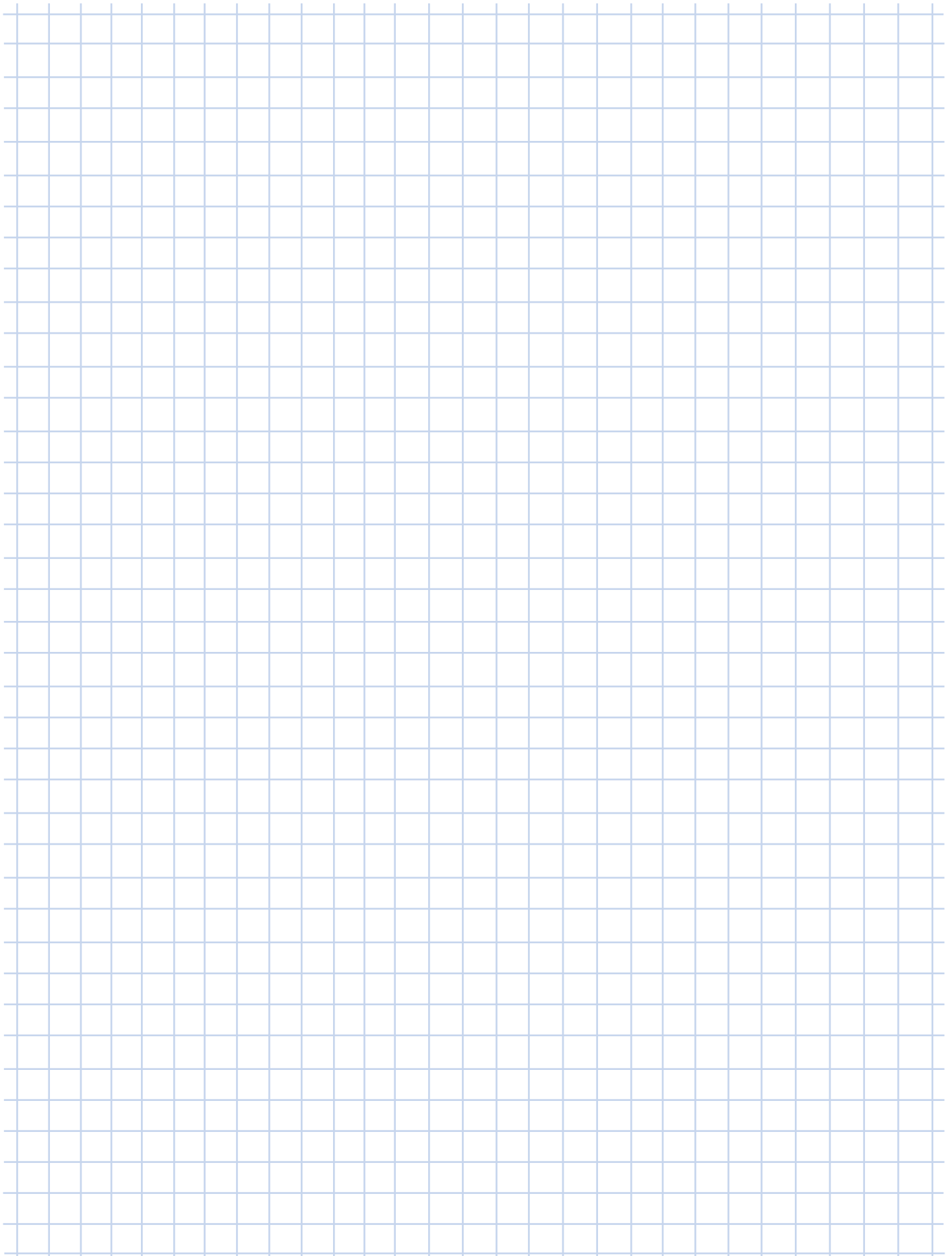
SK 372.1 SK 373.1 SK 572.1 SK 573.1 SK 672.1 SK 673.1 - W
SK 372.1F SK 373.1F SK 572.1F SK 573.1F SK 672.1F SK 673.1F - W



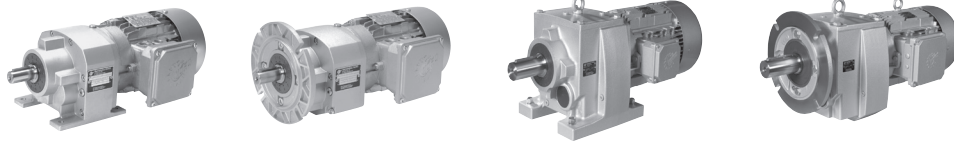
SK 772.1 SK 773.1 SK 872.1 SK 873.1 SK 972.1 SK 973.1 - W
SK 772.1F SK 773.1F SK 872.1F SK 873.1F SK 972.1F SK 973.1F - W



Type	ME	d1	l1	o1	x1	u1	t1	v1	w1	T1
SK 172.1 / SK 172.1 F	-	16	40	114,5	2,5	5	18	4	32	M6
SK 372.1 / SK 372.1 F SK 373.1 / SK 373.1 F	-	24	50	177,5	8	8	27	5	40	M8
SK 572.1 / SK 572.1 F SK 573.1 / SK 573.1 F	-	24	50	177,5	8	8	27	5	40	M8
SK 672.1 / SK 672.1 F SK 673.1 / SK 673.1 F	7	24	50	177,5	8	8	27	5	40	M8
SK 772.1 / SK 772.1 F SK 773.1 / SK 773.1 F	5	24	50	172	8	8	27	5	40	M8
SK 872.1 / SK 872.1 F SK 873.1 / SK 873.1 F	6	28	60	213	8	8	31	5	50	M10
SK 972.1 / SK 972.1 F SK 973.1 / SK 973.1 F	11,5	38	80	213	8	10	41	5	70	M12

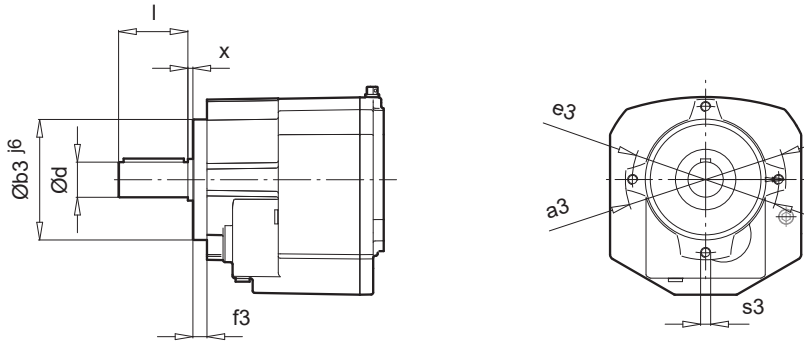


Z

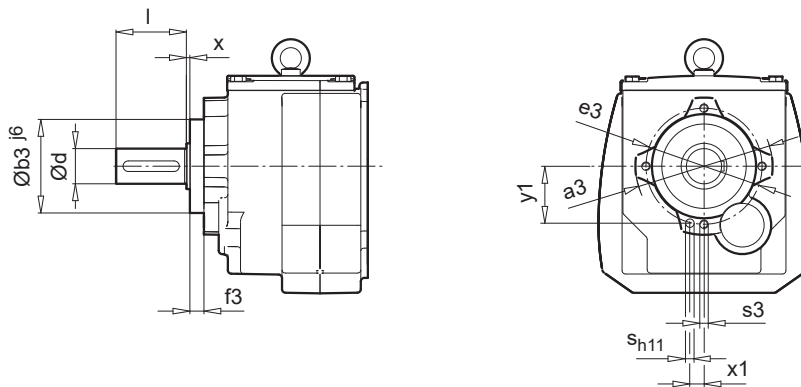


SK 072.1 Z / SK 172.1 Z
SK 372.1 Z - SK 672.1 Z
SK 373.1 Z - SK 673.1 Z

NORDBLOC.1
helical gear units

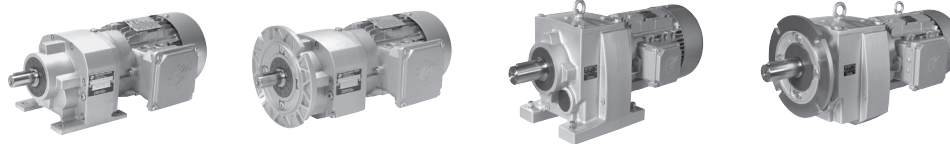


SK 772.1 Z - SK 972.1 Z
SK 773.1 Z - SK 973.1 Z

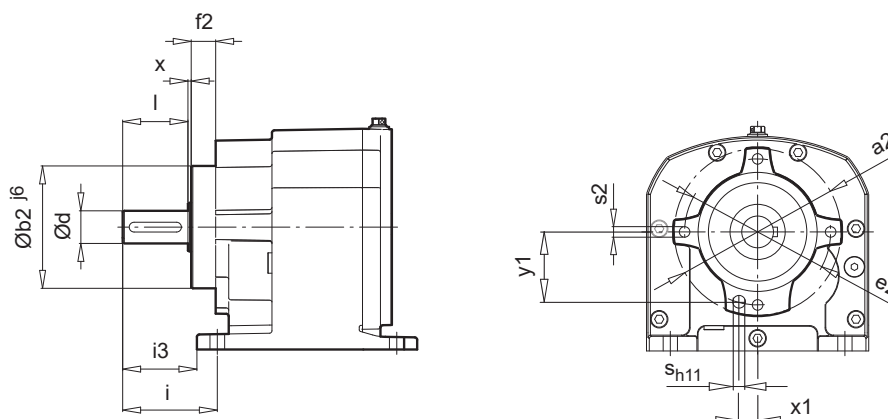


Type	a3	b3	e3	f3	s3	d	l	x	x1	y1	sh11
SK 072.1 Z	80	56	68	12,5	M6x12	20	40	2	8,8	32,84	Ø5x16
SK 172.1 Z	107	75	92	15	M8x18	20	40	2	12	44	Ø8x14,5
SK 372.1 Z SK 373.1 Z	131	95	110	20	M8x16	25	50	3	10,49	53,99	Ø6x20
SK 572.1 Z * SK 573.1 Z *	160	120	145	14	M10x17	35	70	4	17	70	Ø8x20
SK 572.1 Z * SK 573.1 Z *	160	120	145	14	M10x17	30	60	4	17	70	Ø8x20
SK 672.1 Z SK 673.1 Z	180	135	160	14	M10x20	35	70	4	20	77,5	Ø10x20
SK 772.1 Z SK 773.1 Z	152	105	130	16	M12x15	40	80	4	20	61,85	Ø12x20
SK 872.1 Z SK 873.1 Z	194	135	165	20	M12x20	50	100	5	25	79	Ø12x30
SK 972.1 Z SK 973.1 Z	236	168	200	25	M16x25	60	120	6	28	96	Ø16x35

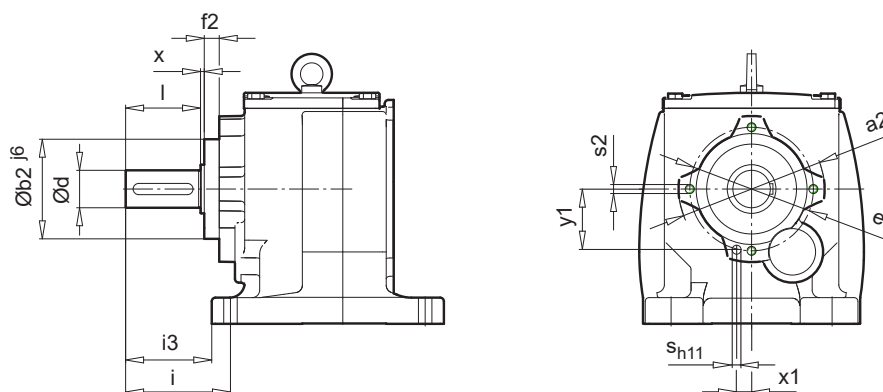
* ⇒ A8



SK 072.1 Z / SK 172.1 XZ
SK 372.1 Z - SK 672.1 XZ
SK 373.1 Z - SK 673.1 XZ



SK 772.1 Z - SK 972.1 XZ
SK 773.1 Z - SK 973.1 XZ

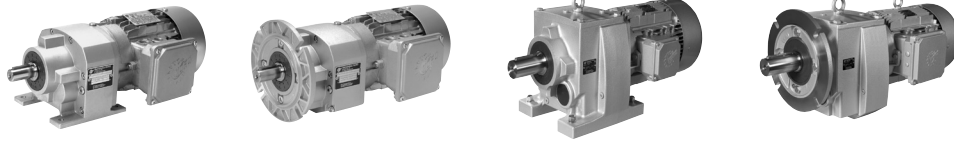


NORDBLOC.1
 helical gear units

Type	a2	b2	e2	f2	s2	i	i3	d	l	x	x1	y1	s _{h11}
SK 072.1 XZ	85	56	68	12,5	M6x12	48	41	20	40	2	8,8	32,84	Ø5x16
SK 172.1 XZ	110	75	92	15	M8x18	68	58	20	40	2	12	44	Ø8x14,5
SK 372.1 XZ SK 373.1 XZ	130	95	110	20	M8x16	75	60	25	50	3	10,49	53,99	Ø6x20
SK 572.1 XZ * SK 573.1 XZ *	160	120	145	14	M10x25	100	82,5	35	70	4	17	70	Ø8x20
SK 572.1 XZ * SK 573.1 XZ *	160	120	145	14	M10x25	100	82,5	30	60	4	17	70	Ø8x20
SK 672.1 XZ SK 673.1 XZ	180	135	160	14	M10x20	100	80	35	70	4	20	77,5	Ø10x20
SK 772.1 XZ SK 773.1 XZ	152	105	130	16	M12x15	115	95	40	80	4	20	61,85	Ø12x20
SK 872.1 XZ SK 873.1 XZ	194	135	165	20	M12x20	140	115	50	100	5	25	79	Ø12x30
SK 972.1 XZ SK 973.1 XZ	236	168	200	25	M16x25	160	132,5	60	120	6	28	96	Ø16x35

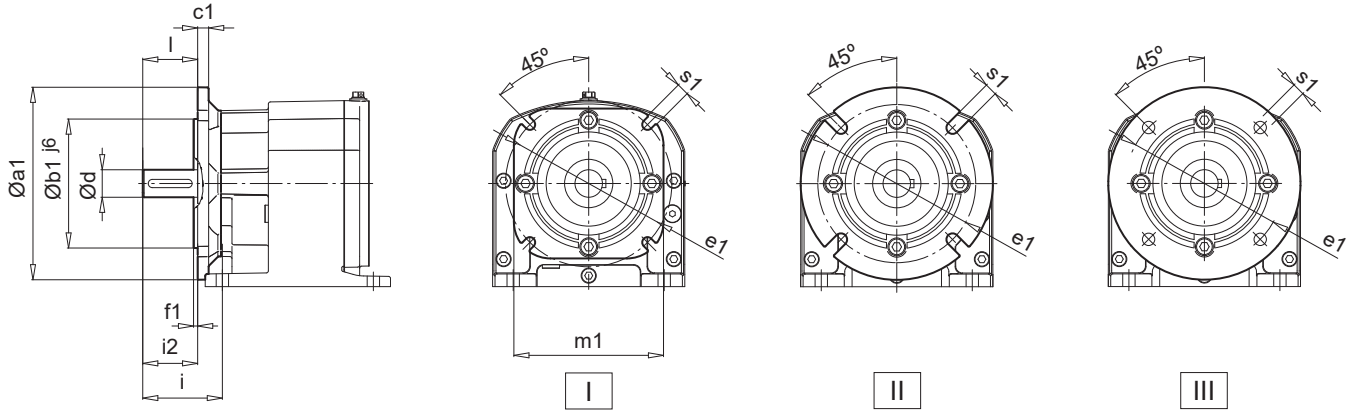
* ⇨ A8

XF

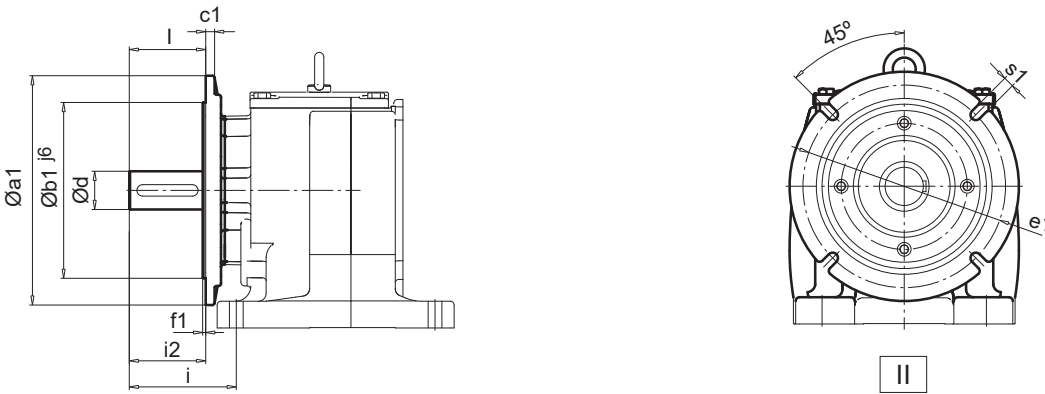


SK 072.1 Z / SK 172.1 XF
 SK 372.1 Z - SK 672.1 XF
 SK 373.1 Z - SK 673.1 XF

NORDBLOC.1
helical gear units



SK 772.1 Z - SK 972.1 XF
 SK 773.1 Z - SK 973.1 XF

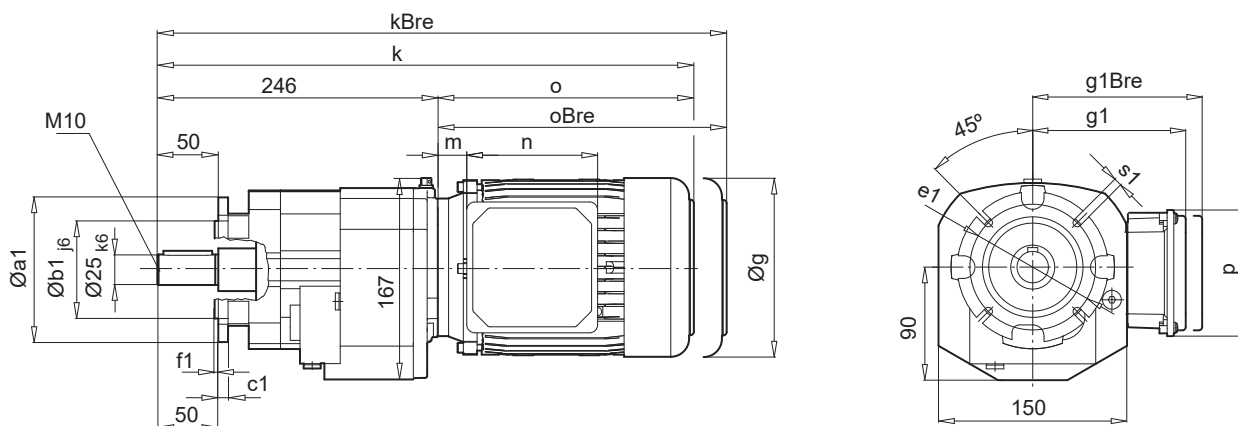


Type		a1	b1	c1	e1	f1	m1	s1	i	i2	d	l
SK 072.1 XF	I	120	80	7	100	3	90	6,6	48	40	20	40
SK 172.1 XF	II	120 140	80 95	8 8	100 115	3 3	-	6,6 9,0	58 58	40 40	20	40
SK 372.1 XF SK 373.1 XF	II	140 160	95 110	9 10	110 130	3 3,5	-	8,6 8,6	75 75	50 50	25	50
SK 572.1 XF * SK 573.1 XF *	II	200	130	12	165	3,5	-	11	100	70	35	70
SK 572.1 XF * SK 573.1 XF *	II	200	130	12	165	3,5	-	11	100	70	30	60
SK 672.1 XF SK 673.1 XF	III	200	130	12	165	4	-	11	88	70	35	70
SK 772.1 XF SK 773.1 XF	II	200 250	180	15	215	4	-	13,5	115	80	40	80
SK 872.1 XF SK 873.1 XF	II	250 300	230	20	265	4	-	13,5	140	100	50	100
SK 972.1 XF SK 973.1 XF	II	300 350	250	20	300	5	-	17,5	160	120	60	120

* ⇨ A8



SK 372.1F SK 373.1F



a1	b1	c1	e1	f1	s1
120	80	8	100	3	6,6

⇒ A8

NORDBLOC.1
helical gear units

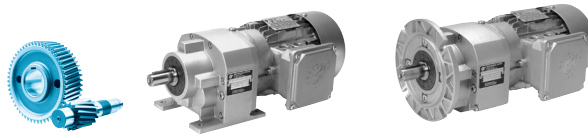
SK 372.1F

± ⇒ A61	63 S / L	71 S / L	80 SH	80 LP	90 SP/LP	100 LP/AP	
g	130	145	165	165	183	201	
g1 / g1Bre	115 / 123	124 / 133	142 / 142	142 / 142	147 / 147	169 / 172	W → B61
k / kBre	442 / 498	482 / 540	507 / 571	507 / 571	548 / 623	578 / 669	
o / oBre	196 / 252	236 / 294	261 / 325	261 / 325	302 / 377	332 / 423	
m / mBre	16 / 23	42 / 49	47 / 51	47 / 51	52 / 56	58 / 62	IEC 63 - 100 → A12
n / nBre	100 / 134	100 / 134	114 / 153	114 / 153	114 / 153	114 / 153	
p / pBre	100 / 89	100 / 89	144 / 108	144 / 108	144 / 108	144 / 108	

SK 373.1F

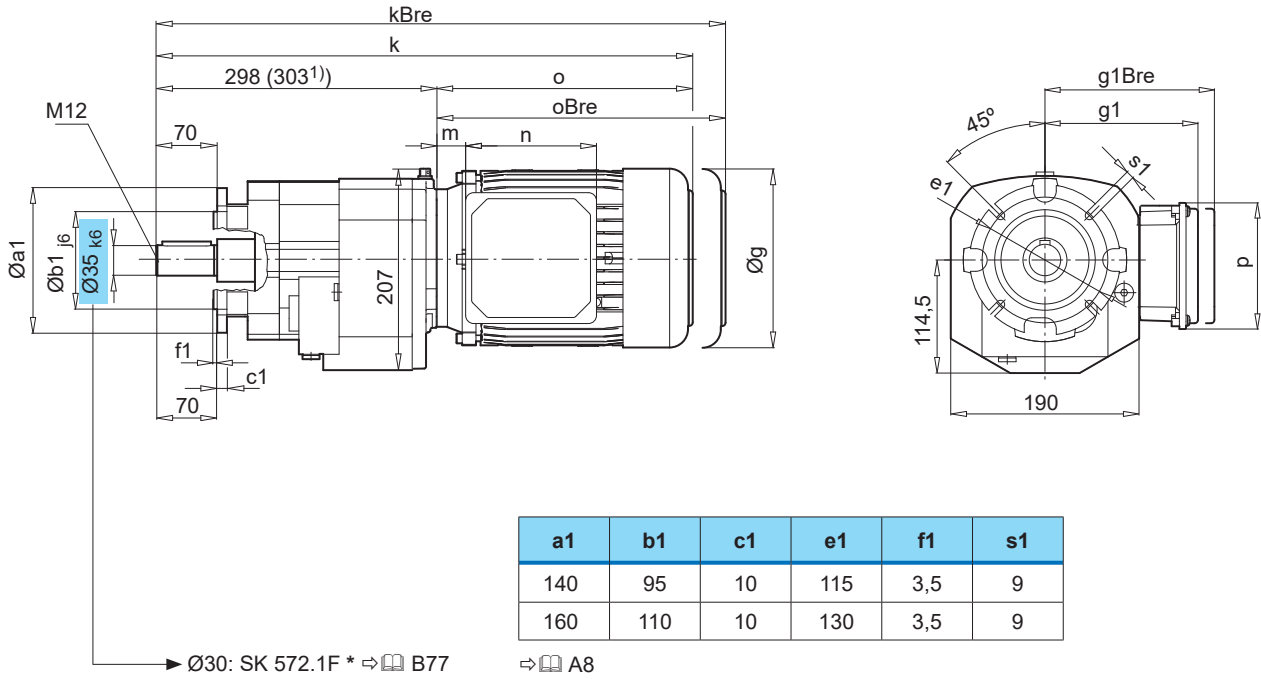
± ⇒ A61	63 S / L	71 S / L	80 SH	80 LP	90 SP/LP		
g	130	145	165	165	183		
g1 / g1Bre	115 / 123	124 / 133	142 / 142	142 / 142	147 / 147		W → B61
k / kBre	442 / 498	482 / 540	507 / 571	507 / 571	548 / 623		
o / oBre	196 / 252	236 / 294	261 / 325	261 / 325	302 / 377		
m / mBre	16 / 23	42 / 49	47 / 51	47 / 51	52 / 56		
n / nBre	100 / 134	100 / 134	114 / 153	114 / 153	114 / 153		IEC 63 - 90 → A12
p / pBre	100 / 89	100 / 89	144 / 108	144 / 108	144 / 108		

SK 572.1F SK 573.1F



SK 572.1F SK 573.1F

NORDBLOC.1
helical gear units



SK 572.1F

\pm ⇒ A61	71 S / L	80 SH	80 LP	90 SP/LP	100 LP/AP	112 MP	132 SP/MP ¹⁾	
g	145	165	165	183	201	228	264	W ⇒ B61
g1 / g1Bre	124 / 133	142 / 142	142 / 142	147 / 147	169 / 172	179 / 182	204 / 201	
k / kBre	534 / 592	559 / 623	559 / 623	600 / 675	630 / 721	677 / 771	738 / 846	IEC 63 - 112 ⇒ A12
o / oBre	236 / 294	261 / 325	261 / 325	302 / 377	332 / 423	380 / 474	435 / 542	
m / mBre	42 / 49	47 / 51	47 / 51	52 / 56	58 / 62	64 / 67	71 / 62	
n / nBre	100 / 134	114 / 153	114 / 153	114 / 153	114 / 153	114 / 153	122 / 185	
p / pBre	100 / 89	144 / 108	144 / 108	144 / 108	144 / 108	144 / 108	144 / 108	

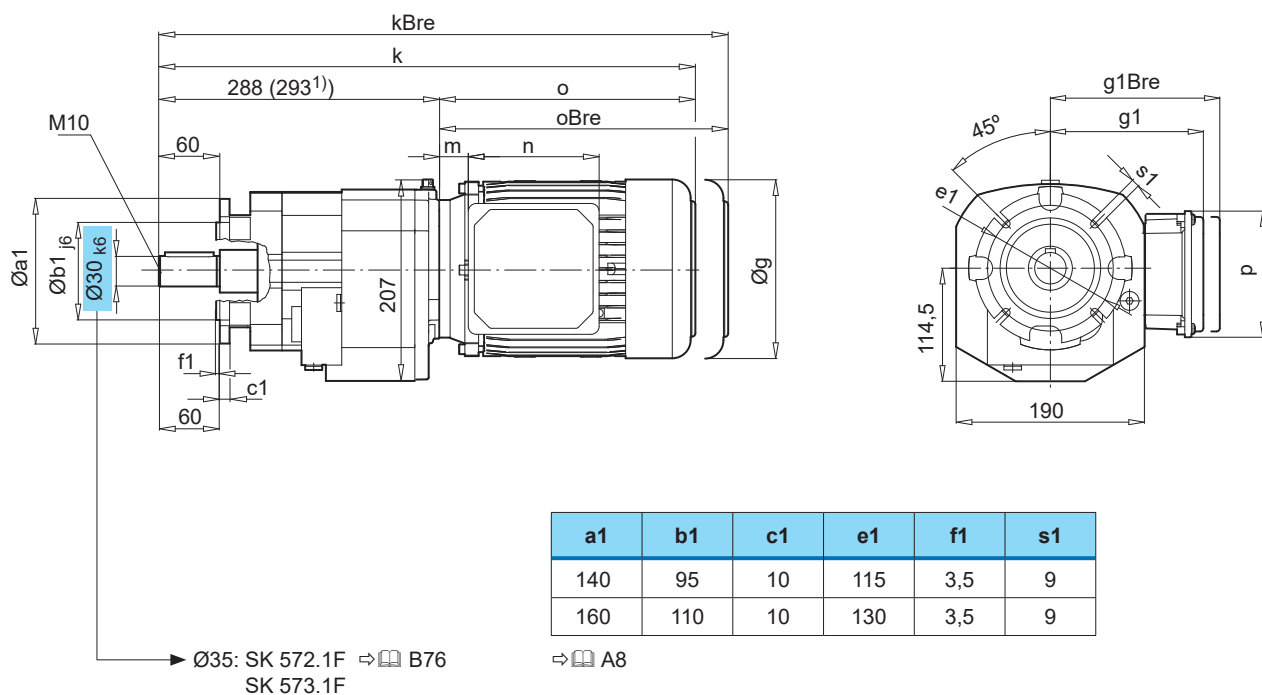
SK 573.1F

\pm ⇒ A61	63 S / L	71 S / L	80 SH	80 LP	90 SP/LP	100 LP/AP	112 MP	
g	130	145	165	165	183	201	228	W ⇒ B61
g1 / g1Bre	115 / 123	124 / 133	142 / 142	142 / 142	147 / 147	169 / 172	179 / 182	
k / kBre	494 / 550	534 / 592	559 / 623	559 / 623	600 / 675	630 / 720	677 / 771	IEC 63 - 112 ⇒ A12
o / oBre	196 / 252	236 / 294	261 / 325	261 / 325	302 / 377	332 / 423	380 / 474	
m / mBre	16 / 23	42 / 49	47 / 51	47 / 51	52 / 56	58 / 62	64 / 67	
n / nBre	100 / 134	100 / 134	114 / 153	114 / 153	114 / 153	114 / 153	114 / 153	
p / pBre	100 / 89	100 / 89	144 / 108	144 / 108	144 / 108	144 / 108	144 / 108	



SK 572.1F *

SK 573.1F *



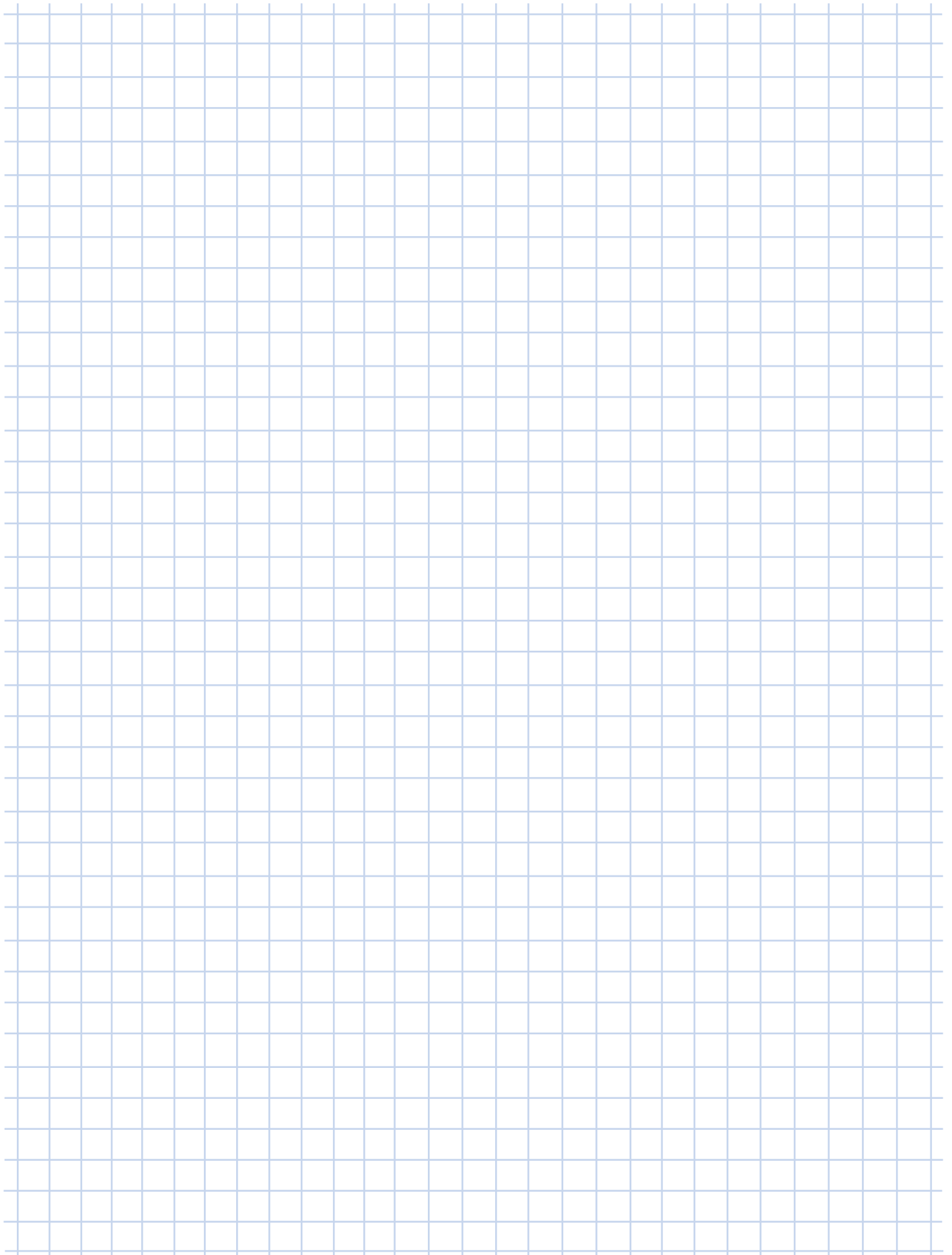
NORDBLOC.1
helical gear units

SK 572.1F *

± ⇒ A61	71 S / L	80 SH	80 LP	90 SP/LP	100 LP/AP	112 MP	132 SP/MP	
g	145	165	165	183	201	228	264	W ⇒ B65
g1 / g1Bre	124 / 133	142 / 142	142 / 142	147 / 147	169 / 172	179 / 182	204 / 201	
k / kBre	523 / 581	548 / 612	548 / 612	589 / 664	619 / 710	667 / 761	728 / 836	IEC 63 - 112 ⇒ A12
o / oBre	236 / 294	261 / 325	261 / 325	302 / 377	332 / 423	380 / 474	435 / 542	
m / mBre	42 / 49	47 / 51	47 / 51	52 / 56	58 / 62	64 / 67	65 / 58	
n / nBre	100 / 134	114 / 153	114 / 153	114 / 153	114 / 153	114 / 153	122 / 185	
p / pBre	100 / 89	144 / 108	144 / 108	144 / 108	144 / 108	144 / 108	144 / 108	

SK 573.1F *

± ⇒ A61	63 S / L	71 S / L	80 SH	80 LP	90 SP/LP	100 LP/AP	112 MP	
g	130	145	165	165	183	201	228	W ⇒ B65
g1 / g1Bre	115 / 123	124 / 133	142 / 142	142 / 142	147 / 147	169 / 172	179 / 182	
k / kBre	483 / 539	523 / 581	548 / 612	548 / 612	589 / 664	619 / 710	667 / 761	IEC 63 - 112 ⇒ A12
o / oBre	196 / 252	236 / 294	261 / 325	261 / 325	302 / 377	332 / 423	380 / 474	
m / mBre	16 / 23	42 / 49	47 / 51	47 / 51	52 / 56	58 / 62	64 / 67	
n / nBre	100 / 134	100 / 134	114 / 153	114 / 153	114 / 153	114 / 153	114 / 153	
p / pBre	100 / 89	100 / 89	144 / 108	144 / 108	144 / 108	144 / 108	144 / 108	



Enquiry form



This general enquiry form can be found in the attachment as well as on the **NORD** homepage under www.nord.com - Heading DOCUMENTATION / FORMS.

Allgemeines Anfrageformular



Firma	<input type="text"/>	 	NORD DRIVESYSTEMS Rudolf-Diesel-Straße 1 D-22941 Bargteheide Telefon +49(0) 4532/401-0 Telefax +49(0)4532/401-254 E-Mail info@nord.com www.nord.com	
Straße	<input type="text"/>			
Ort	<input type="text"/> PLZ <input type="text"/>			
Kontakt	<input type="text"/>			
Telefon	<input type="text"/>		Kundennr.	<input type="text"/>
Fax	<input type="text"/>	Anwendung	<input type="text"/>	
E-Mail	<input type="text"/>	Projekt	<input type="text"/>	

Benötigte Komponente

Getriebemotor
 IEC - Getriebemotor
 Getriebe mit freiem Wellenende
 Solo - Motor

Menge Typ



Getriebespezifische Parameter		Getriebespezifische Parameter	
Bauform <input type="text"/>	Übersetzung i <input type="text"/>	Lagerung <input type="radio"/> normal <input type="radio"/> VL <input type="radio"/> VL2 <input type="radio"/> VL3 <input type="radio"/> AL	Bei Kegelrad- oder Schneckengetr. Welle bei <input type="radio"/> A <input type="radio"/> B
Flansch <input type="radio"/> B14 <input type="radio"/> B5 ϕ <input type="text"/> [mm]	<input type="radio"/> Hohlwelle <input type="radio"/> Vollwelle ϕ <input type="text"/> x <input type="text"/> [mm]	Ölsorte <input type="radio"/> Mineral <input type="radio"/> synth. <input type="radio"/> Lebensmittelöl	<input type="radio"/> Spezielle Ölsorte <input type="text"/>
Abtriebsdrehz. bei Netzfq. n_2 <input type="text"/> [min ⁻¹]	Abtriebsdrehmoment M_2 <input type="text"/> [Nm]	Motorspezifische Parameter	
Mindest-Betriebsfaktor f_b <input type="text"/>	Mindestlagerlebensdauer L_h <input type="text"/> [h]	Effektive Motorleistung <input type="text"/> [kW]	Motordrehzahl n_1 <input type="text"/> [min ⁻¹]
Querkräfte an der Abtriebswelle F_{R2} <input type="text"/> [N]	Axialkräfte an der Abtriebswelle F_{A2} <input type="text"/> [N]	Temperaturfühler (Kaltleiter) <input type="radio"/> Bimetal Temperaturwächter <input type="radio"/>	Netzspannung <input type="text"/> [V] +/- <input type="text"/> [%]
Abst. vom Wellenbund z. Kraftangr. <input type="text"/> [mm]		Netzspannung <input type="text"/> [V] +/- <input type="text"/> [%]	Netzfrequenz <input type="text"/> [Hz]

Seite 1 von 2



Rahmenbedingungen

Umgebungstemperaturen von bis [°C]

Puffermontage bei Fahrtrieb [Nm]

Relative Luftfeuchte [%]

Direkte Sonneneinstrahlung

Aggressive Medien (z.B.: salzhaltige Luft)

erhöhte Aufstellhöhe [m]

Niederschlag

ATEX (Explosive Gemische in der Umgebung) Zone

Lackierung

Unlackiert

Farbe 1.0 - Grundiert

Farbe 2.0 - Standard

Farbe 3.0 - normale Umweltbelastung

Farbe 3.1 - mittlere Umweltbelastung

Farbe 3.2 - starke Umweltbelastung

andere Lackierung (z.B.: Z, 3.4 oder 3.5)

Sonder Farbtone (Standard RAL7031) RAL

Vorschriften DIN EN, etc. bitte Angeben

Allgemeine Bedingungen

Angebot bis zum

Einkaufsbedingungen bekannt nicht bekannt

Einkaufsbedingungen als Anlage

Lieferzeit nach Eingang der Bestellung

Lieferung Frachtfrei

Scnaisnrankumrnter motoraugebauer umrnter

Verstellbereich von [Hz] bis [Hz]

Konstantes Moment im Verstellbereich [Nm]

Fremdlüfter

Motorvergrößerung (bei konstantem Moment)

Positionierung Inkremental Absolut

Drehzahlrückführung

Generatorischer Betr. rückgesp. Leistung [kW]

Bussystem - um was für ein Bussystem handelt es sich

Bedienung über PC Bedienbox

Bemerkungen

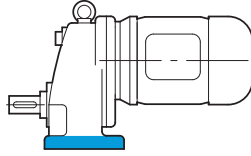
Seite 2 von 2

Helical Gear Units

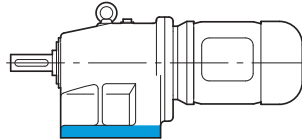
Examples - available helical gear unit versions

Housing with foot mounting

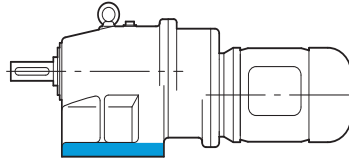
SK 11 E - 90 SH/4
Single stage



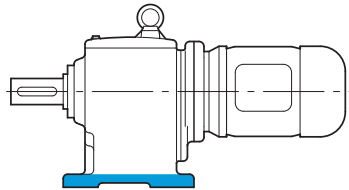
SK 12 - 90 LH/4
Two-stage



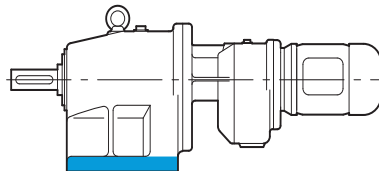
SK 13 - 71 S/4
Three-stage



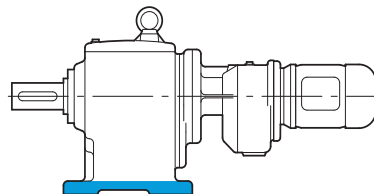
SK 62 - 160 LH/4
SK 63 - 160 LH/4
Two- and three-stage



SK 12/02 - 63 S/4
Four-stage

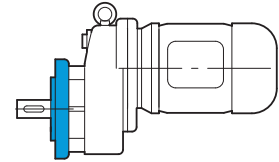


SK 63/22 - 80 SH/4
Five- and six-stage

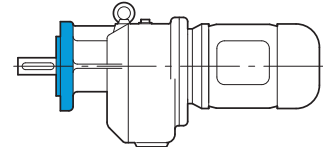


Housing with B5 - flange mounting

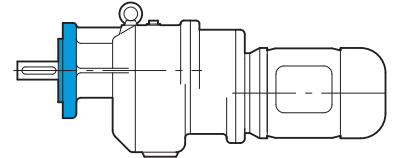
SK 11 EF - 90 SH/4
Single stage



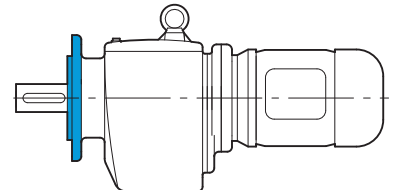
SK 12 F - 90 LH/4
Two-stage



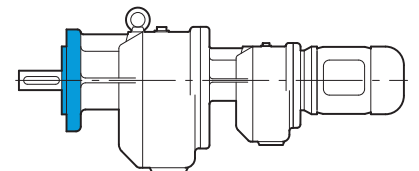
SK 13 F - 71 S/4
Three-stage



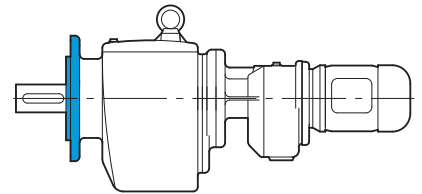
SK 62 F - 100 AH/4
SK 63 F - 100 AH/4
Two- and three-stage



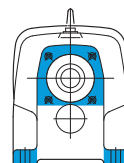
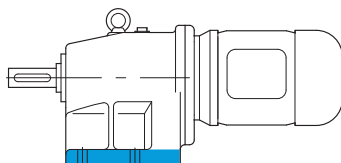
SK 12/02 F - 63 S/4
Four-stage



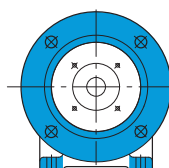
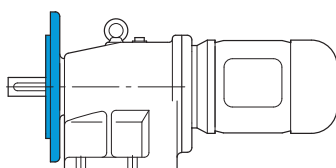
SK 63/22 F - 80 SH/4
Five- and six-stage



Housing options for foot and flange-mounting



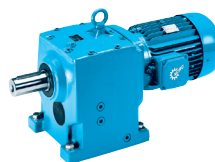
SK 12 XZ - 80 LH/4
Foot-mounting & B14 flange
Two-stage



SK 12 XF - 80 LH/4
Foot-mounting & B5 flange
Two-stage

All helical gear units are also available: - with free drive shaft (Type suffix W)
- for mounting IEC standard motors (Type suffix IEC)

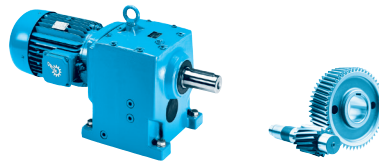
0,12 kW




Helical Gear Units

P ₁ [kW]	n ₂ [min ⁻¹]	M ₂ [Nm]	f _B	i _{ges}	F _R [kN]	F _A [kN]	F _{R VL} [kN]	F _{A VL} [kN]	Type	kg	mm 			
0,12	1,5	526	3,5	918,83	14,1	23,8	19,8	40,0	SK 52/12 - 63 S/4	88	C78 C90			
	1,0	797	1,5	1393,38	7,4	12,0	10,9	30,0	SK 42/12 - 63 S/4	59	C76 C90			
	1,2	638	1,9	1114,65	7,8	12,0	11,1	30,0						
	1,8	429	2,8	750,33	8,1	12,0	11,4	29,1						
	1,0	*775	0,8	1305,66	5,4	9,0	8,5	25,0	SK 32/12 - 63 S/4	47	C74 C90			
	1,2	618	1,0	1080,05	6,0	9,0	8,9	25,0						
	1,5	497	1,2	869,04	6,3	9,0	9,1	25,0						
	1,9	400	1,5	699,55	6,5	9,0	9,2	25,0						
	2,4	317	2,0	554,68	6,7	9,0	9,3	25,0						
	3,0	255	2,4	446,31	6,7	9,0	9,4	25,0						
	3,7	208	3,0	363,06	6,8	9,0	9,4	25,0						
	1,2	*712	0,8	740,37	5,7	9,0	8,6	25,0	SK 33N - 63 L/6	43	C75			
	1,3	*700	0,8	662,81	5,7	9,0	8,7	25,0						
	1,5	*792	0,8	585,41	5,4	9,0	8,4	25,0						
	1,7	694	1,0	524,08	5,8	9,0	8,7	25,0						
	2,1	558	1,2	421,32	6,2	9,0	9,0	25,0						
	1,8	636	0,9	740,37	5,9	9,0	8,8	25,0	SK 33N - 63 S/4	43	C75			
	2,0	569	1,0	662,81	6,2	9,0	9,0	25,0						
	2,3	503	1,3	585,41	6,3	9,0	9,1	25,0						
	2,5	450	1,5	524,08	6,4	9,0	9,2	25,0						
	3,2	362	1,9	421,32	6,6	9,0	9,3	25,0						
	3,9	291	2,2	339,15	6,7	9,0	9,4	25,0						
	5,4	213	3,2	248,17	6,8	9,0	9,4	23,5						
	6,4	178	3,8	207,10	6,8	9,0	9,4	22,4						
	1,2	*425	0,8	1159,34	3,9	5,6	6,4	20,0				SK 22/02 - 63 S/4	34	C72 C90
	1,5	*425	0,8	881,66	3,9	5,6	6,4	20,0						
	1,7	*342	0,8	516,65	4,5	5,6	6,8	20,0	SK 23 - 63 L/6	31	C73			
	2,1	*425	0,8	417,95	3,9	5,6	6,4	20,0						
	2,7	*425	0,8	323,70	3,9	5,6	6,4	20,0						
	2,6	*342	0,8	516,65	4,5	5,6	6,8	20,0	SK 23 - 63 S/4	31	C73			
	3,2	359	0,9	417,95	4,4	5,6	6,8	19,4						
	4,1	278	1,2	323,70	4,8	5,6	7,1	18,4						
	5,1	225	1,5	262,24	5,1	5,6	7,2	17,5						
	6,1	187	1,8	217,73	5,2	5,6	7,3	16,8						
	7,4	154	2,0	179,50	5,3	5,6	7,4	15,9						
	8,8	130	2,3	151,44	5,3	5,6	7,4	15,2						
	11	107	3,2	124,17	5,4	5,6	7,4	14,6						
	13	86	3,9	100,60	5,4	5,6	7,5	13,8						
	15	76	4,5	88,45	5,4	5,6	7,5	13,3						
	1,0	*225	0,8	1280,32	2,8	4,0	4,5	14,5				SK 12/02 - 63 S/4	22	C70 C90
	1,3	*225	0,8	1054,29	2,8	4,0	4,5	14,5						
	1,5	*225	0,8	886,11	2,8	4,0	4,5	14,5						
	2,1	*209	0,8	420,83	3,0	4,0	4,6	14,5	SK 13 - 63 L/6	19	C71			
	2,3	*220	0,8	369,34	2,9	4,0	4,6	14,5						
	2,8	*209	0,8	313,48	3,0	4,0	4,6	14,5						
	3,1	*220	0,8	275,12	2,9	4,0	4,6	14,5						
	3,5	*221	0,8	244,62	2,9	4,0	4,6	14,5						
	3,2	*209	0,8	420,83	3,0	4,0	4,6	14,5	SK 13 - 63 S/4	19	C71			
	3,6	*220	0,8	369,34	2,9	4,0	4,6	14,5						
	4,3	*209	0,8	313,48	3,0	4,0	4,6	14,5						
	4,9	*220	0,8	275,12	2,9	4,0	4,6	14,5						
	5,5	*221	0,8	244,62	2,9	4,0	4,6	14,0						
	6,8	168	1,2	195,78	3,2	4,0	4,8	13,4						
	8,4	137	1,2	159,36	3,4	4,0	4,9	12,7						
	10	114	1,3	132,45	3,5	4,0	5,0	12,1						
	12	93	1,9	108,72	3,6	4,0	5,0	11,7						
	16	73	2,4	85,47	3,6	4,0	5,0	11,0						

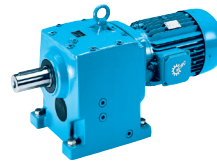
* Maximum output torque with f_B = 0,8



P ₁ [kW]	n ₂ [min ⁻¹]	M ₂ [Nm]	f _B	i _{ges}	F _R [kN]	F _A [kN]	F _{R VL} [kN]	F _{A VL} [kN]	Type	kg	mm 																																																																																																																																																																																																																																																																																																																																																																																																																																																																																																																													
0,12	12	96	1,4	72,63	3,5	4,0	5,0	11,8	SK 12 - 63 L/6	14	C70																																																																																																																																																																																																																																																																																																																																																																																																																																																																																																																													
	14	81	1,9	61,35	3,6	4,0	5,0	11,3					18	62	2,2	72,63	3,6	4,0	5,1	10,6	SK 12 - 63 S/4	14	C70	22	53	2,9	61,35	3,7	4,0	5,1	10,1	25	46	3,8	53,84	3,7	4,0	5,1	9,8	31	37	4,4	43,09	3,7	4,0	5,1	9,2	38	30	4,9	35,07	3,7	4,0	5,1	8,6	46	25	5,0	29,15	3,7	4,0	5,1	8,2	63	18	9,1	21,28	3,5	4,0	5,1	7,5	71	16	10,0	18,79	3,3	4,0	5,1	7,3	80	14	10,7	16,73	3,2	4,0	5,1	7,0	100	11	13,0	13,39	3,0	4,0	5,1	6,6		4,3	*111	0,8	313,11	2,0	3,3	3,0	6,2	SK 03 - 63 S/4	16	C69	4,9	*111	0,8	274,28	2,0	3,3	3,0	6,2	6,3	*132	0,8	212,47	1,7	3,3	2,9	6,2	7,8	*135	0,8	170,75	1,7	3,3	2,9	6,2	8,8	*138	0,8	151,33	1,7	3,3	2,9	6,2	11	107	1,0	124,62	2,0	3,3	3,1	6,2	13	90	1,1	104,77	2,1	3,3	3,2	6,2	16	70	1,5	81,50	2,2	3,3	3,2	6,2		12	97	0,9	73,06	2,1	3,3	3,1	6,2	SK 02 - 63 L/6	12	C68	14	81	1,1	61,27	2,2	3,3	3,2	6,2	16	71	1,2	53,68	2,2	3,3	3,2	6,2		18	63	1,4	73,06	2,3	3,3	3,3	6,2	SK 02 - 63 S/4	12	C68	22	53	1,7	61,27	2,3	3,3	3,3	6,2	25	46	1,9	53,68	2,3	3,3	3,3	6,2	32	36	2,8	41,58	2,4	3,3	3,3	6,2	40	29	3,3	33,42	2,4	3,3	3,3	6,2	49	24	3,7	27,52	2,4	3,3	3,3	6,2	58	20	3,9	23,13	2,4	3,3	3,3	6,2	65	18	4,2	20,59	2,4	3,3	3,3	6,2	84	14	5,3	15,95	2,4	3,3	3,3	5,8	104	11	6,4	12,82	2,4	3,3	3,3	5,4	118	10	6,9	11,27	2,4	3,3	3,3	5,2	134	9	7,5	9,95	2,4	3,3	3,3	5,0	144	8	8,2	9,28	2,4	3,3	3,3	4,8	163	7	9,0	8,19	2,3	3,3	3,3	4,7	171	7	9,4	7,80	2,3	3,3	3,2	4,6	194	6	10,3	6,89	2,2	3,3	3,1	4,4	219	5	10,9	6,10	2,1	3,3	3,0	4,2	240	5	11,9	5,57	2,0	3,3	2,9	4,1	277	4	13,8	4,82	1,9	3,3	2,8	3,9	316	4	14,4	4,22	1,9	3,3	2,6	3,8	343	3	15,9	3,89	1,8	3,3	2,6	3,7	395	3	17,6	3,38	1,7	3,1	2,5	3,5	453	3	18,2	2,95	1,6	2,9	2,3	3,3		472	2	22,2	2,83	-	3,5	2,0	5,2	SK 11E - 63 S/4	10	C63	575	2	28,1	2,32	-	3,2	2,0	4,7	654	2	33,1	2,04	-	3,0	2,0	4,5	738	2	35,4	1,81	-	2,8	2,0	4,3	0,18	1,0	1385	2,3	1408,77	19,7	45,0	27,9	45,0	SK 63/23 - 63 L/4	160	C81 C91	1,3	1046	3,1	1064,04	20,0	45,0	28,1	45,0		1,0	1401	1,3	1425,44	12,9	23,8	18,9	40,0	SK 52/12 - 63 L/4	88	C78 C90	1,5	903	2,0	918,83	13,7	23,8	19,5	40,0	2,0	678	2,7	689,41	14,0	23,8	19,7	40,0		1,0	1370	0,9	1393,38	5,0	12,0	9,4	30,0	SK 42/12 - 63 L/4	59	C76 C90	1,2	1096	1,1	1114,65	6,4	12,0	10,2	29,3	1,8	738	1,6	750,33	7,6	12,0	11,0	27,3	2,5	541	2,2	550,73	8,0	12,0	11,3	25,6	3,1	426	2,8	433,49	8,1	12,0	11,4	24,2	3,9	341	3,5	346,53	8,2	12,0	11,4	22,9	4,9	272	4,4	276,92	8,3
		18	62	2,2	72,63	3,6	4,0	5,1	10,6	SK 12 - 63 S/4	14		C70																																																																																																																																																																																																																																																																																																																																																																																																																																																																																																																											
		22	53	2,9	61,35	3,7	4,0	5,1	10,1																																																																																																																																																																																																																																																																																																																																																																																																																																																																																																																															
		25	46	3,8	53,84	3,7	4,0	5,1	9,8																																																																																																																																																																																																																																																																																																																																																																																																																																																																																																																															
		31	37	4,4	43,09	3,7	4,0	5,1	9,2																																																																																																																																																																																																																																																																																																																																																																																																																																																																																																																															
		38	30	4,9	35,07	3,7	4,0	5,1	8,6																																																																																																																																																																																																																																																																																																																																																																																																																																																																																																																															
		46	25	5,0	29,15	3,7	4,0	5,1	8,2																																																																																																																																																																																																																																																																																																																																																																																																																																																																																																																															
		63	18	9,1	21,28	3,5	4,0	5,1	7,5																																																																																																																																																																																																																																																																																																																																																																																																																																																																																																																															
		71	16	10,0	18,79	3,3	4,0	5,1	7,3																																																																																																																																																																																																																																																																																																																																																																																																																																																																																																																															
80		14	10,7	16,73	3,2	4,0	5,1	7,0																																																																																																																																																																																																																																																																																																																																																																																																																																																																																																																																
100		11	13,0	13,39	3,0	4,0	5,1	6,6				4,3		*111	0,8	313,11	2,0	3,3	3,0	6,2	SK 03 - 63 S/4	16	C69	4,9	*111	0,8	274,28	2,0	3,3	3,0	6,2	6,3	*132	0,8	212,47	1,7	3,3	2,9	6,2	7,8	*135	0,8	170,75	1,7	3,3	2,9	6,2	8,8	*138	0,8	151,33	1,7	3,3	2,9	6,2	11	107	1,0	124,62	2,0	3,3	3,1	6,2	13	90	1,1	104,77	2,1	3,3	3,2	6,2	16	70	1,5	81,50	2,2	3,3	3,2	6,2		12	97	0,9	73,06	2,1	3,3	3,1	6,2	SK 02 - 63 L/6	12	C68	14	81	1,1	61,27	2,2	3,3	3,2	6,2	16	71	1,2	53,68	2,2	3,3	3,2	6,2		18	63	1,4	73,06	2,3	3,3	3,3	6,2	SK 02 - 63 S/4	12	C68	22	53	1,7	61,27	2,3	3,3	3,3	6,2	25	46	1,9	53,68	2,3	3,3	3,3	6,2	32	36	2,8	41,58	2,4	3,3	3,3	6,2	40	29	3,3	33,42	2,4	3,3	3,3	6,2	49	24	3,7	27,52	2,4	3,3	3,3	6,2	58	20	3,9	23,13	2,4	3,3	3,3	6,2	65	18	4,2	20,59	2,4	3,3	3,3	6,2	84	14	5,3	15,95	2,4	3,3	3,3	5,8	104	11	6,4	12,82	2,4	3,3	3,3	5,4		118	10	6,9	11,27	2,4	3,3	3,3	5,2				134	9	7,5	9,95	2,4	3,3	3,3	5,0	144	8	8,2	9,28	2,4	3,3	3,3	4,8	163	7	9,0	8,19	2,3	3,3	3,3	4,7	171	7	9,4	7,80	2,3	3,3	3,2	4,6	194	6	10,3	6,89	2,2	3,3	3,1	4,4	219	5	10,9	6,10	2,1	3,3	3,0	4,2	240	5	11,9	5,57	2,0	3,3	2,9	4,1	277	4	13,8	4,82	1,9	3,3	2,8	3,9	316	4	14,4	4,22	1,9	3,3	2,6	3,8	343	3	15,9	3,89	1,8	3,3	2,6	3,7	395	3	17,6	3,38	1,7	3,1	2,5	3,5	453	3	18,2	2,95	1,6	2,9	2,3	3,3		472	2	22,2	2,83	-	3,5	2,0	5,2	SK 11E - 63 S/4	10	C63	575	2	28,1	2,32	-	3,2	2,0	4,7	654	2	33,1	2,04	-	3,0	2,0	4,5	738	2	35,4	1,81	-	2,8	2,0	4,3	0,18	1,0	1385	2,3	1408,77	19,7	45,0	27,9	45,0	SK 63/23 - 63 L/4	160	C81 C91	1,3	1046	3,1	1064,04	20,0	45,0	28,1	45,0		1,0	1401	1,3	1425,44	12,9	23,8	18,9	40,0	SK 52/12 - 63 L/4	88	C78 C90	1,5	903	2,0	918,83	13,7	23,8	19,5	40,0	2,0	678	2,7	689,41	14,0	23,8	19,7	40,0		1,0	1370	0,9	1393,38	5,0	12,0	9,4	30,0	SK 42/12 - 63 L/4	59	C76 C90	1,2	1096	1,1	1114,65	6,4	12,0	10,2	29,3	1,8	738	1,6	750,33	7,6	12,0	11,0	27,3	2,5	541	2,2	550,73	8,0	12,0	11,3	25,6	3,1	426	2,8	433,49	8,1	12,0	11,4	24,2	3,9	341	3,5	346,53	8,2	12,0	11,4	22,9	4,9	272	4,4	276,92	8,3	12,0	11,5	21,6																																																																													
	4,3	*111	0,8	313,11	2,0	3,3	3,0	6,2		SK 03 - 63 S/4	16	C69																																																																																																																																																																																																																																																																																																																																																																																																																																																																																																																												
	4,9	*111	0,8	274,28	2,0	3,3	3,0	6,2																																																																																																																																																																																																																																																																																																																																																																																																																																																																																																																																
	6,3	*132	0,8	212,47	1,7	3,3	2,9	6,2																																																																																																																																																																																																																																																																																																																																																																																																																																																																																																																																
	7,8	*135	0,8	170,75	1,7	3,3	2,9	6,2																																																																																																																																																																																																																																																																																																																																																																																																																																																																																																																																
	8,8	*138	0,8	151,33	1,7	3,3	2,9	6,2																																																																																																																																																																																																																																																																																																																																																																																																																																																																																																																																
	11	107	1,0	124,62	2,0	3,3	3,1	6,2																																																																																																																																																																																																																																																																																																																																																																																																																																																																																																																																
	13	90	1,1	104,77	2,1	3,3	3,2	6,2																																																																																																																																																																																																																																																																																																																																																																																																																																																																																																																																
	16	70	1,5	81,50	2,2	3,3	3,2	6,2					12	97	0,9	73,06	2,1	3,3	3,1	6,2	SK 02 - 63 L/6	12	C68	14	81	1,1	61,27	2,2	3,3	3,2	6,2	16	71	1,2	53,68	2,2	3,3	3,2	6,2		18	63	1,4	73,06	2,3	3,3	3,3	6,2	SK 02 - 63 S/4	12	C68	22	53	1,7	61,27	2,3	3,3	3,3	6,2	25	46	1,9	53,68	2,3	3,3	3,3	6,2	32	36	2,8	41,58	2,4	3,3	3,3	6,2	40	29	3,3	33,42	2,4	3,3	3,3	6,2	49	24	3,7	27,52	2,4	3,3	3,3	6,2	58	20	3,9	23,13	2,4	3,3	3,3	6,2	65	18	4,2	20,59	2,4	3,3	3,3	6,2		84	14	5,3	15,95	2,4	3,3	3,3	5,8				104	11	6,4	12,82	2,4	3,3	3,3	5,4	118	10	6,9	11,27	2,4	3,3	3,3	5,2	134	9	7,5	9,95	2,4	3,3	3,3	5,0	144	8	8,2	9,28	2,4	3,3	3,3	4,8	163	7	9,0	8,19	2,3	3,3	3,3	4,7	171	7	9,4	7,80	2,3	3,3	3,2	4,6	194	6	10,3	6,89	2,2	3,3	3,1	4,4	219	5	10,9	6,10	2,1	3,3	3,0	4,2	240	5	11,9	5,57	2,0	3,3	2,9	4,1		277	4	13,8	4,82	1,9	3,3	2,8	3,9				316	4	14,4	4,22	1,9	3,3	2,6	3,8	343	3	15,9	3,89	1,8	3,3	2,6	3,7	395	3	17,6	3,38	1,7	3,1	2,5	3,5	453	3	18,2	2,95	1,6	2,9	2,3	3,3		472	2	22,2	2,83	-	3,5	2,0	5,2	SK 11E - 63 S/4	10	C63	575	2	28,1	2,32	-	3,2	2,0	4,7	654	2	33,1	2,04	-	3,0	2,0	4,5	738	2	35,4	1,81	-	2,8	2,0	4,3	0,18	1,0	1385	2,3	1408,77	19,7	45,0	27,9	45,0	SK 63/23 - 63 L/4	160	C81 C91	1,3	1046	3,1	1064,04	20,0	45,0	28,1	45,0		1,0	1401	1,3	1425,44	12,9	23,8	18,9	40,0	SK 52/12 - 63 L/4	88	C78 C90	1,5	903	2,0	918,83	13,7	23,8	19,5	40,0	2,0	678	2,7	689,41	14,0	23,8	19,7	40,0		1,0	1370	0,9	1393,38	5,0	12,0	9,4	30,0	SK 42/12 - 63 L/4	59	C76 C90	1,2	1096	1,1	1114,65	6,4	12,0	10,2	29,3	1,8	738	1,6	750,33	7,6	12,0	11,0	27,3	2,5	541	2,2	550,73	8,0	12,0	11,3	25,6	3,1	426	2,8	433,49	8,1	12,0	11,4	24,2	3,9	341	3,5	346,53	8,2	12,0	11,4	22,9	4,9	272	4,4	276,92	8,3	12,0	11,5	21,6																																																																																																																																													
	12	97	0,9	73,06	2,1	3,3	3,1	6,2		SK 02 - 63 L/6	12	C68																																																																																																																																																																																																																																																																																																																																																																																																																																																																																																																												
	14	81	1,1	61,27	2,2	3,3	3,2	6,2																																																																																																																																																																																																																																																																																																																																																																																																																																																																																																																																
	16	71	1,2	53,68	2,2	3,3	3,2	6,2					18	63	1,4	73,06	2,3	3,3	3,3	6,2	SK 02 - 63 S/4	12	C68	22	53	1,7	61,27	2,3	3,3	3,3	6,2	25	46	1,9	53,68	2,3	3,3	3,3	6,2		32	36	2,8	41,58	2,4	3,3	3,3	6,2				40	29	3,3	33,42	2,4	3,3	3,3	6,2	49	24	3,7	27,52	2,4	3,3	3,3	6,2	58	20	3,9	23,13	2,4	3,3	3,3	6,2	65	18	4,2	20,59	2,4	3,3	3,3	6,2	84	14	5,3	15,95	2,4	3,3	3,3	5,8	104	11	6,4	12,82	2,4	3,3	3,3	5,4	118	10	6,9	11,27	2,4	3,3	3,3	5,2		134	9	7,5	9,95	2,4	3,3	3,3	5,0				144	8	8,2	9,28	2,4	3,3	3,3	4,8	163	7	9,0	8,19	2,3	3,3	3,3	4,7	171	7	9,4	7,80	2,3	3,3	3,2	4,6	194	6	10,3	6,89	2,2	3,3	3,1	4,4	219	5	10,9	6,10	2,1	3,3	3,0	4,2	240	5	11,9	5,57	2,0	3,3	2,9	4,1	277	4	13,8	4,82	1,9	3,3	2,8	3,9	316	4	14,4	4,22	1,9	3,3	2,6	3,8	343	3	15,9	3,89	1,8	3,3	2,6	3,7	395	3	17,6	3,38	1,7	3,1	2,5	3,5	453	3	18,2	2,95	1,6	2,9	2,3	3,3		472	2	22,2	2,83	-	3,5	2,0	5,2	SK 11E - 63 S/4	10	C63	575	2	28,1	2,32	-	3,2	2,0	4,7	654	2	33,1	2,04	-	3,0	2,0	4,5		738	2	35,4	1,81	-	2,8	2,0	4,3				0,18	1,0	1385	2,3	1408,77	19,7	45,0	27,9	45,0	SK 63/23 - 63 L/4	160	C81 C91	1,3	1046	3,1	1064,04	20,0	45,0	28,1	45,0		1,0	1401	1,3	1425,44	12,9	23,8	18,9	40,0	SK 52/12 - 63 L/4	88	C78 C90	1,5	903	2,0	918,83	13,7	23,8	19,5	40,0	2,0	678	2,7	689,41	14,0	23,8	19,7	40,0		1,0	1370	0,9	1393,38	5,0	12,0	9,4	30,0	SK 42/12 - 63 L/4	59	C76 C90	1,2	1096	1,1	1114,65	6,4	12,0	10,2	29,3	1,8	738	1,6	750,33		7,6	12,0	11,0	27,3	2,5	541	2,2	550,73				8,0	12,0	11,3	25,6	3,1	426	2,8	433,49	8,1	12,0	11,4	24,2	3,9	341	3,5	346,53	8,2	12,0	11,4	22,9	4,9	272	4,4	276,92	8,3	12,0	11,5	21,6																																																																																																																																																																	
	18	63	1,4	73,06	2,3	3,3	3,3	6,2		SK 02 - 63 S/4	12	C68																																																																																																																																																																																																																																																																																																																																																																																																																																																																																																																												
	22	53	1,7	61,27	2,3	3,3	3,3	6,2																																																																																																																																																																																																																																																																																																																																																																																																																																																																																																																																
	25	46	1,9	53,68	2,3	3,3	3,3	6,2																																																																																																																																																																																																																																																																																																																																																																																																																																																																																																																																
	32	36	2,8	41,58	2,4	3,3	3,3	6,2																																																																																																																																																																																																																																																																																																																																																																																																																																																																																																																																
	40	29	3,3	33,42	2,4	3,3	3,3	6,2																																																																																																																																																																																																																																																																																																																																																																																																																																																																																																																																
	49	24	3,7	27,52	2,4	3,3	3,3	6,2																																																																																																																																																																																																																																																																																																																																																																																																																																																																																																																																
	58	20	3,9	23,13	2,4	3,3	3,3	6,2																																																																																																																																																																																																																																																																																																																																																																																																																																																																																																																																
	65	18	4,2	20,59	2,4	3,3	3,3	6,2																																																																																																																																																																																																																																																																																																																																																																																																																																																																																																																																
	84	14	5,3	15,95	2,4	3,3	3,3	5,8																																																																																																																																																																																																																																																																																																																																																																																																																																																																																																																																
	104	11	6,4	12,82	2,4	3,3	3,3	5,4																																																																																																																																																																																																																																																																																																																																																																																																																																																																																																																																
	118	10	6,9	11,27	2,4	3,3	3,3	5,2																																																																																																																																																																																																																																																																																																																																																																																																																																																																																																																																
	134	9	7,5	9,95	2,4	3,3	3,3	5,0																																																																																																																																																																																																																																																																																																																																																																																																																																																																																																																																
	144	8	8,2	9,28	2,4	3,3	3,3	4,8																																																																																																																																																																																																																																																																																																																																																																																																																																																																																																																																
	163	7	9,0	8,19	2,3	3,3	3,3	4,7																																																																																																																																																																																																																																																																																																																																																																																																																																																																																																																																
	171	7	9,4	7,80	2,3	3,3	3,2	4,6																																																																																																																																																																																																																																																																																																																																																																																																																																																																																																																																
	194	6	10,3	6,89	2,2	3,3	3,1	4,4																																																																																																																																																																																																																																																																																																																																																																																																																																																																																																																																
	219	5	10,9	6,10	2,1	3,3	3,0	4,2																																																																																																																																																																																																																																																																																																																																																																																																																																																																																																																																
	240	5	11,9	5,57	2,0	3,3	2,9	4,1																																																																																																																																																																																																																																																																																																																																																																																																																																																																																																																																
	277	4	13,8	4,82	1,9	3,3	2,8	3,9																																																																																																																																																																																																																																																																																																																																																																																																																																																																																																																																
	316	4	14,4	4,22	1,9	3,3	2,6	3,8																																																																																																																																																																																																																																																																																																																																																																																																																																																																																																																																
343	3	15,9	3,89	1,8	3,3	2,6	3,7																																																																																																																																																																																																																																																																																																																																																																																																																																																																																																																																	
395	3	17,6	3,38	1,7	3,1	2,5	3,5																																																																																																																																																																																																																																																																																																																																																																																																																																																																																																																																	
453	3	18,2	2,95	1,6	2,9	2,3	3,3		472	2	22,2	2,83	-	3,5	2,0	5,2	SK 11E - 63 S/4	10	C63	575	2	28,1	2,32	-	3,2	2,0	4,7	654	2	33,1	2,04	-	3,0	2,0	4,5	738	2	35,4	1,81	-	2,8	2,0	4,3	0,18	1,0	1385	2,3	1408,77	19,7	45,0	27,9	45,0	SK 63/23 - 63 L/4	160	C81 C91	1,3	1046	3,1	1064,04	20,0	45,0	28,1	45,0		1,0	1401	1,3	1425,44	12,9	23,8	18,9	40,0	SK 52/12 - 63 L/4	88	C78 C90	1,5	903	2,0	918,83	13,7	23,8	19,5	40,0	2,0	678	2,7	689,41	14,0	23,8	19,7	40,0		1,0	1370	0,9	1393,38	5,0	12,0	9,4	30,0	SK 42/12 - 63 L/4	59	C76 C90	1,2	1096	1,1	1114,65	6,4	12,0	10,2	29,3	1,8	738	1,6	750,33	7,6	12,0	11,0	27,3	2,5	541	2,2	550,73	8,0	12,0	11,3	25,6	3,1	426	2,8	433,49	8,1	12,0	11,4	24,2	3,9	341	3,5	346,53	8,2	12,0	11,4	22,9	4,9	272	4,4	276,92	8,3	12,0	11,5	21,6																																																																																																																																																																																																																																																																																																																																																																																	
	472	2	22,2	2,83	-	3,5	2,0		5,2	SK 11E - 63 S/4	10	C63																																																																																																																																																																																																																																																																																																																																																																																																																																																																																																																												
	575	2	28,1	2,32	-	3,2	2,0		4,7																																																																																																																																																																																																																																																																																																																																																																																																																																																																																																																															
	654	2	33,1	2,04	-	3,0	2,0		4,5																																																																																																																																																																																																																																																																																																																																																																																																																																																																																																																															
	738	2	35,4	1,81	-	2,8	2,0	4,3	0,18				1,0	1385	2,3	1408,77	19,7	45,0	27,9	45,0	SK 63/23 - 63 L/4	160	C81 C91	1,3	1046	3,1	1064,04	20,0	45,0	28,1	45,0		1,0	1401	1,3	1425,44	12,9	23,8	18,9	40,0	SK 52/12 - 63 L/4	88	C78 C90	1,5	903	2,0	918,83	13,7	23,8	19,5	40,0	2,0	678	2,7	689,41	14,0	23,8	19,7	40,0		1,0	1370	0,9	1393,38	5,0	12,0	9,4	30,0	SK 42/12 - 63 L/4	59	C76 C90	1,2	1096	1,1	1114,65	6,4	12,0	10,2	29,3	1,8	738	1,6	750,33	7,6	12,0	11,0	27,3	2,5	541	2,2	550,73		8,0	12,0	11,3	25,6	3,1	426	2,8	433,49				8,1	12,0	11,4	24,2	3,9	341	3,5	346,53	8,2	12,0	11,4	22,9	4,9	272	4,4	276,92	8,3	12,0	11,5	21,6																																																																																																																																																																																																																																																																																																																																																																																																													
0,18	1,0	1385	2,3	1408,77	19,7	45,0	27,9	45,0		SK 63/23 - 63 L/4	160	C81 C91																																																																																																																																																																																																																																																																																																																																																																																																																																																																																																																												
	1,3	1046	3,1	1064,04	20,0	45,0	28,1	45,0						1,0	1401	1,3	1425,44	12,9	23,8	18,9	40,0	SK 52/12 - 63 L/4	88	C78 C90	1,5	903	2,0	918,83	13,7	23,8	19,5		40,0	2,0	678	2,7	689,41	14,0	23,8	19,7				40,0		1,0	1370	0,9	1393,38	5,0	12,0	9,4	30,0	SK 42/12 - 63 L/4	59	C76 C90	1,2	1096	1,1		1114,65	6,4	12,0	10,2	29,3	1,8	738	1,6				750,33	7,6	12,0	11,0	27,3	2,5	541	2,2	550,73	8,0	12,0	11,3	25,6	3,1	426	2,8	433,49	8,1	12,0	11,4		24,2	3,9	341	3,5	346,53	8,2	12,0	11,4				22,9	4,9	272	4,4	276,92	8,3	12,0	11,5	21,6																																																																																																																																																																																																																																																																																																																																																																																																																								
		1,0	1401	1,3	1425,44	12,9	23,8	18,9	40,0	SK 52/12 - 63 L/4	88	C78 C90																																																																																																																																																																																																																																																																																																																																																																																																																																																																																																																												
1,5		903	2,0	918,83	13,7	23,8	19,5	40,0																																																																																																																																																																																																																																																																																																																																																																																																																																																																																																																																
2,0		678	2,7	689,41	14,0	23,8	19,7	40,0					1,0	1370	0,9	1393,38	5,0	12,0	9,4	30,0	SK 42/12 - 63 L/4	59	C76 C90	1,2	1096	1,1	1114,65	6,4	12,0	10,2	29,3	1,8	738	1,6	750,33	7,6	12,0	11,0	27,3	2,5	541	2,2	550,73	8,0		12,0	11,3	25,6	3,1	426	2,8	433,49	8,1				12,0	11,4	24,2		3,9	341	3,5	346,53	8,2	12,0	11,4	22,9				4,9	272	4,4	276,92	8,3	12,0	11,5	21,6																																																																																																																																																																																																																																																																																																																																																																																																																																																									
	1,0	1370	0,9	1393,38	5,0	12,0	9,4	30,0		SK 42/12 - 63 L/4	59	C76 C90																																																																																																																																																																																																																																																																																																																																																																																																																																																																																																																												
	1,2	1096	1,1	1114,65	6,4	12,0	10,2	29,3																																																																																																																																																																																																																																																																																																																																																																																																																																																																																																																																
	1,8	738	1,6	750,33	7,6	12,0	11,0	27,3																																																																																																																																																																																																																																																																																																																																																																																																																																																																																																																																
	2,5	541	2,2	550,73	8,0	12,0	11,3	25,6																																																																																																																																																																																																																																																																																																																																																																																																																																																																																																																																
	3,1	426	2,8	433,49	8,1	12,0	11,4	24,2																																																																																																																																																																																																																																																																																																																																																																																																																																																																																																																																
	3,9	341	3,5	346,53	8,2	12,0	11,4	22,9																																																																																																																																																																																																																																																																																																																																																																																																																																																																																																																																
	4,9	272	4,4	276,92	8,3	12,0	11,5	21,6																																																																																																																																																																																																																																																																																																																																																																																																																																																																																																																																

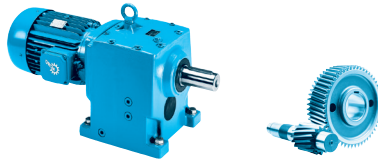
* Maximum output torque with f_B = 0,8


0,18 kW



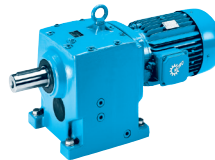
Helical Gear Units

P ₁ [kW]	n ₂ [min ⁻¹]	M ₂ [Nm]	f _B	i _{ges}	F _R [kN]	F _A [kN]	F _{R VL} [kN]	F _{A VL} [kN]	Type	kg	mm C		
0,18	1,9	688	0,9	699,55	5,8	9,0	8,7	25,0	SK 32/12 - 63 L/4	48	C74 C90		
	2,5	545	1,1	554,68	6,2	9,0	9,0	25,0					
	3,0	439	1,4	446,31	6,4	9,0	9,2	25,0					
	3,7	357	1,7	363,06	6,6	9,0	9,3	25,0					
	5,1	263	2,4	267,79	6,7	9,0	9,4	23,7					
	2,2	796	0,8	421,32	5,3	9,0	8,4	25,0	SK 33N - 71 S/6	44	C75		
	2,3	740	0,9	585,41	5,6	9,0	8,6	25,0	SK 33N - 63 L/4	43	C75		
	2,6	662	1,0	524,08	5,9	9,0	8,8	25,0					
	3,2	533	1,3	421,32	6,2	9,0	9,0	25,0					
	4,0	429	1,5	339,15	6,5	9,0	9,2	24,4					
5,5	314	2,1	248,17	6,7	9,0	9,3	22,8						
6,6	262	2,6	207,10	6,7	9,0	9,4	21,8						
8,2	210	3,2	166,49	6,8	9,0	9,4	20,7						
10	169	3,8	134,02	6,8	9,0	9,4	19,4						
11	154	3,4	81,27	6,8	9,0	9,4	19,0	SK 32 - 71 S/6	35	C74			
3,1	437	0,8	444,73	3,8	5,6	6,4	19,1	SK 22/02 - 63 L/4	35	C72 C90			
3,9	339	1,0	345,17	4,5	5,6	6,8	18,2						
4,2	409	0,8	323,70	4,0	5,6	6,5	17,3	SK 23 - 63 L/4	31	C73			
5,2	331	1,0	262,24	4,6	5,6	6,9	16,6						
6,2	275	1,2	217,73	4,8	5,6	7,1	15,9						
7,6	227	1,4	179,50	5,1	5,6	7,2	15,2						
9,0	191	1,5	151,44	5,2	5,6	7,3	14,6						
11	163	1,5	86,30	5,2	5,6	7,4	14,3	SK 22 - 71 S/6	24	C72			
13	132	2,0	69,81	5,3	5,6	7,4	13,6						
16	104	3,1	55,28	5,4	5,6	7,4	12,8						
20	87	3,4	45,90	5,4	5,6	7,5	12,1						
6,4	210	0,9	213,39	3,0	4,0	4,6	13,3	SK 12/02 - 63 L/4	22	C70 C90			
6,9	247	0,8	195,78	2,6	4,0	4,4	12,5	SK 13 - 63 L/4	19	C71			
8,5	201	0,8	159,36	3,0	4,0	4,6	12,0						
10	167	0,9	132,45	3,2	4,0	4,8	11,5						
13	137	1,3	108,72	3,4	4,0	4,9	11,2						
13	137	1,0	72,63	3,4	4,0	4,9	11,2	SK 12 - 71 S/6	15	C70			
15	116	1,3	61,35	3,5	4,0	4,9	10,8						
19	92	1,5	72,63	3,6	4,0	5,0	10,2	SK 12 - 63 L/4	14	C70			
22	78	2,0	61,35	3,6	4,0	5,0	9,8						
25	68	2,6	53,84	3,6	4,0	5,1	9,5						
32	54	3,0	43,09	3,6	4,0	5,1	8,9						
39	44	3,4	35,07	3,7	4,0	5,1	8,5						
47	37	3,4	29,15	3,7	4,0	5,1	8,0						
64	27	6,2	21,28	3,4	4,0	5,1	7,4						
72	24	6,8	18,79	3,3	4,0	5,1	7,2						
81	21	7,3	16,73	3,2	4,0	5,1	6,9						
102	17	8,8	13,39	3,0	4,0	5,1	6,5						
17	103	1,0	81,50	2,0	3,3	3,1	6,2				SK 03 - 63 L/4	16	C69
21	83	1,3	65,50	2,2	3,3	3,2	6,2						
15	116	0,8	61,27	1,9	3,3	3,0	6,2	SK 02 - 71 S/6	13	C68			
17	101	0,9	53,68	2,0	3,3	3,1	6,2						
19	92	1,0	73,06	2,1	3,3	3,1	6,2	SK 02 - 63 L/4	12	C68			
22	77	1,1	61,27	2,2	3,3	3,2	6,2						
25	68	1,3	53,68	2,2	3,3	3,2	6,2						
33	53	1,9	41,58	2,3	3,3	3,3	6,2						
41	42	2,3	33,42	2,3	3,3	3,3	6,2						
49	35	2,5	27,52	2,4	3,3	3,3	6,2						
59	29	2,7	23,13	2,4	3,3	3,3	6,2						
66	26	2,8	20,59	2,4	3,3	3,3	6,1						



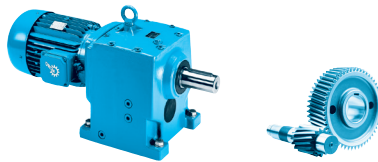
P ₁ [kW]	n ₂ [min ⁻¹]	M ₂ [Nm]	f _B	i _{ges}	F _R [kN]	F _A [kN]	F _{R VL} [kN]	F _{A VL} [kN]	Type	kg	mm 	
0,18	85	20	3,6	15,95	2,4	3,3	3,3	5,6	SK 02 - 63 L/4	12	C68	
	106	16	4,3	12,82	2,4	3,3	3,3	5,3				
	121	14	4,7	11,27	2,4	3,3	3,3	5,1				
	137	13	5,1	9,95	2,4	3,3	3,3	4,9				
	147	12	5,5	9,28	2,3	3,3	3,3	4,8				
	166	10	6,1	8,19	2,3	3,3	3,2	4,6				
	174	10	6,4	7,80	2,2	3,3	3,2	4,5				
	197	9	7,0	6,89	2,1	3,3	3,0	4,3				
	223	8	7,4	6,10	2,1	3,3	2,9	4,2				
	244	7	8,1	5,57	2,0	3,3	2,8	4,1				
	282	6	9,4	4,82	1,9	3,3	2,7	3,9				
	322	5	9,7	4,22	1,8	3,3	2,6	3,7				
	350	5	10,8	3,89	1,8	3,2	2,5	3,6				
	402	4	11,9	3,38	1,7	3,0	2,4	3,5				
	461	4	12,3	2,95	1,6	2,9	2,3	3,3				
	481	4	15,1	2,83	-	3,4	2,0	5,1	SK 11E - 63 L/4	10	C63	
	586	3	19,1	2,32	-	3,1	2,0	4,7				
	667	3	22,5	2,04	-	2,9	2,0	4,4				
	751	2	24,0	1,81	-	2,8	2,0	4,2				
0,25	1,0	2047	1,6	1408,77	18,8	45,0	27,2	45,0	SK 63/23 - 71 S/4	161	C81 C91	
	1,3	1546	2,1	1064,04	19,5	45,0	27,7	45,0				
		1,0	2072	0,9	1425,44	11,1	23,8	17,7	40,0	SK 52/12 - 71 S/4	89	C78 C90
		1,2	1663	1,1	1144,36	12,3	23,8	18,5	40,0			
		1,5	1335	1,4	918,83	13,0	23,8	19,0	40,0			
		2,0	1002	1,8	689,41	13,6	23,8	19,4	40,0			
		2,5	788	2,3	542,09	13,9	23,8	19,6	40,0			
		2,8	714	2,6	491,28	13,9	23,8	19,6	40,0			
		1,8	1090	1,1	750,33	6,4	12,0	10,2	25,3	SK 42/12 - 71 S/4	60	C76 C90
		2,1	975	1,2	670,81	6,9	12,0	10,5	24,8			
		2,5	800	1,5	550,73	7,4	12,0	10,9	24,1			
		3,2	630	1,9	433,49	7,8	12,0	11,1	23,0			
		1,8	1322	0,8	764,03	5,3	12,0	9,5	24,6	SK 43 - 71 S/4	65	C77
		2,2	1070	1,0	618,76	6,5	12,0	10,3	23,8			
		2,6	914	1,1	528,37	7,1	12,0	10,6	23,1			
		3,3	729	1,6	421,11	7,6	12,0	11,0	22,3			
		3,8	622	2,1	359,59	7,8	12,0	11,2	21,6			
		4,6	517	2,2	298,80	8,0	12,0	11,3	20,8			
		5,2	457	2,8	263,93	8,1	12,0	11,4	20,2			
		6,3	379	3,2	219,32	8,2	12,0	11,4	19,4			
		7,6	316	3,2	182,76	8,3	12,0	11,5	18,5			
		2,5	806	0,8	554,68	5,3	9,0	8,4	25,0	SK 32/12 - 71 S/4	49	C74 C90
		3,1	649	1,0	446,31	5,9	9,0	8,8	25,0			
		3,3	729	0,9	421,32	5,6	9,0	8,6	24,4	SK 33N - 71 S/4	44	C75
		4,1	587	1,1	339,15	6,1	9,0	8,9	23,3			
		5,6	429	1,6	248,17	6,5	9,0	9,2	22,0			
6,7		358	1,9	207,10	6,6	9,0	9,3	21,1				
8,3		288	2,3	166,49	6,7	9,0	9,4	20,0				
10		232	2,8	134,02	6,8	9,0	9,4	19,0				
	11	211	2,4	81,27	6,8	9,0	9,4	18,6	SK 32 - 71 L/6	36	C74	
	13	189	3,0	72,76	6,8	9,0	9,4	18,1				
	4,9	413	0,8	284,11	4,0	5,6	6,5	16,4	SK 22/02 - 71 S/4	36	C72 C90	
	5,8	347	1,0	239,01	4,5	5,6	6,8	15,9				
	6,3	377	0,9	217,73	4,3	5,6	6,7	15,1	SK 23 - 71 S/4	32	C73	
	7,7	311	1,0	179,50	4,7	5,6	7,0	14,5				
	9,1	262	1,1	151,44	4,9	5,6	7,1	14,0				
	11	215	1,6	124,17	5,1	5,6	7,2	13,6				
	14	174	2,0	100,60	5,2	5,6	7,3	13,0				
	16	153	2,2	88,45	5,3	5,6	7,4	12,6				


0,25 kW
0,37 kW



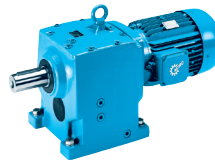
Helical Gear Units

P ₁ [kW]	n ₂ [min ⁻¹]	M ₂ [Nm]	f _B	i _{ges}	F _R [kN]	F _A [kN]	F _{R VL} [kN]	F _{A VL} [kN]	Type	kg	mm
0,25	11	224	1,1	86,30	5,1	5,6	7,2	13,8	SK 22 - 71 L/6	25	C72
	13	181	1,5	69,81	5,2	5,6	7,3	13,1			
	17	143	2,2	55,28	5,3	5,6	7,4	12,4			
	20	119	2,5	45,90	5,3	5,6	7,4	11,8			
	16	149	1,7	86,30	5,3	5,6	7,4	12,5	SK 22 - 71 S/4	24	C72
	25	96	3,3	55,28	5,4	5,6	7,4	11,2			
	10	194	0,8	133,23	3,1	4,0	4,7	11,3	SK 12/02 - 71 S/4	23	C70 C90
	13	159	1,0	109,66	3,3	4,0	4,8	10,9			
	13	188	0,9	108,72	3,1	4,0	4,7	10,7	SK 13 - 71 S/4	20	C71
	16	148	1,2	85,47	3,3	4,0	4,9	10,2			
	15	159	1,0	61,35	3,3	4,0	4,8	10,3	SK 12 - 71 L/6	16	C70
	19	126	1,1	72,63	3,5	4,0	4,9	9,8	SK 12 - 71 S/4	15	C70
	22	106	1,5	61,35	3,5	4,0	5,0	9,5			
	26	93	1,9	53,84	3,6	4,0	5,0	9,2			
	29	83	2,1	47,87	3,6	4,0	5,0	8,9			
	32	75	2,2	43,09	3,6	4,0	5,0	8,7			
	36	66	2,8	38,31	3,6	4,0	5,1	8,5			
	39	61	2,5	35,07	3,6	4,0	5,1	8,2			
	44	54	3,1	31,19	3,7	4,0	5,1	8,0			
	47	50	2,5	29,15	3,6	4,0	5,1	7,9			
	53	45	3,1	25,92	3,5	4,0	5,1	7,6			
	65	37	4,5	21,28	3,3	4,0	5,1	7,3			
	73	33	5,0	18,79	3,2	4,0	5,1	7,1			
	82	29	5,3	16,73	3,1	4,0	5,1	6,8			
	103	23	6,4	13,39	2,9	4,0	5,1	6,4			
	17	141	0,8	81,50	1,6	3,3	2,8	6,2	SK 03 - 71 S/4	17	C69
	21	113	1,0	65,50	1,9	3,3	3,0	6,2			
	23	106	0,8	61,27	2,0	3,3	3,1	6,2	SK 02 - 71 S/4	13	C68
	26	93	1,0	53,68	2,1	3,3	3,1	6,2			
	33	72	1,4	41,58	2,2	3,3	3,2	6,2			
	41	58	1,7	33,42	2,3	3,3	3,3	6,2			
	47	51	1,8	29,61	2,3	3,3	3,3	6,2			
	50	48	1,8	27,52	2,3	3,3	3,3	6,2			
	57	42	2,1	24,39	2,3	3,3	3,3	6,1			
	60	40	1,9	23,13	2,4	3,3	3,3	6,0			
	67	36	2,1	20,59	2,4	3,3	3,3	5,9			
	87	28	2,6	15,95	2,4	3,3	3,3	5,5			
	108	22	3,2	12,82	2,4	3,3	3,3	5,2			
	122	19	3,4	11,27	2,4	3,3	3,3	4,9			
	139	17	3,7	9,95	2,4	3,3	3,3	4,8			
	149	16	4,0	9,28	2,3	3,3	3,3	4,7			
	168	14	4,4	8,19	2,2	3,3	3,2	4,5			
	177	13	4,7	7,80	2,2	3,3	3,1	4,4			
	200	12	5,1	6,89	2,1	3,3	3,0	4,3			
	226	11	5,4	6,10	2,0	3,3	2,9	4,1			
	248	10	5,9	5,57	2,0	3,3	2,8	4,0			
	286	8	6,8	4,82	1,9	3,3	2,7	3,8			
	327	7	7,1	4,22	1,8	3,3	2,6	3,7			
	355	7	7,9	3,89	1,8	3,2	2,5	3,6			
	408	6	8,7	3,38	1,7	3,0	2,4	3,4			
	468	5	9,0	2,95	1,6	2,8	2,3	3,3			
	488	5	11,0	2,83	-	3,4	2,0	5,1	SK 11E - 71 S/4	11	C63
	595	4	14,0	2,32	-	3,1	2,0	4,6			
	676	4	16,4	2,04	-	2,9	2,0	4,4			
	762	3	17,6	1,81	-	2,7	2,0	4,2			
0,37	1,2	2639	3,0	1155,49	44,6	65,0	62,6	65,0	SK 83/32 - 71 L/4	353	C85 C90
	1,1	2864	1,7	1254,07	26,5	45,9	38,8	50,0	SK 73/22 - 71 L/4	235	C83 C90
	1,3	2512	2,0	1099,84	26,9	44,7	39,2	50,0			
	1,6	2028	2,5	888,16	27,4	42,6	39,5	50,0			
	1,9	1684	3,0	737,61	27,7	40,8	39,7	50,0			
	2,4	1294	3,9	566,77	28,0	38,3	39,9	50,0			



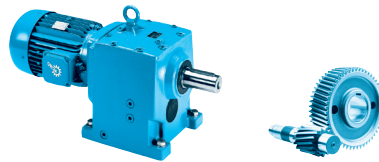
P ₁ [kW]	n ₂ [min ⁻¹]	M ₂ [Nm]	f _B	i _{ges}	F _R [kN]	F _A [kN]	F _{R VL} [kN]	F _{A VL} [kN]	Type	kg	mm 																																																																																																																																																																																																																																																																																																																																																																																																																																																																																																														
0,37	1,0	3217	1,0	1408,77	16,1	45,0	25,5	45,0	SK 63/23 - 71 L/4	162	C81 C91																																																																																																																																																																																																																																																																																																																																																																																																																																																																																																														
	1,3	2430	1,3	1064,04	18,1	45,0	26,8	45,0					1,6	1941	1,6	849,73	19,0	44,8	27,4	45,0	SK 63/22 - 71 L/4	154	C81 C90		1,9	1661	1,9	727,45	19,4	43,3	27,6	45,0		2,5	1262	2,5	552,45	19,9	40,6	28,0	45,0		1,5	2098	0,9	918,83	11,0	23,8	17,7	40,0	SK 52/12 - 71 L/4	90	C78 C90		2,0	1574	1,2	689,41	12,5	23,8	18,7	40,0		2,5	1238	1,5	542,09	13,2	23,8	19,1	40,0		2,8	1122	1,6	491,28	13,4	23,8	19,3	40,0		1,5	2307	0,8	607,30	10,2	23,8	17,2	40,0	SK 53 - 80 S/6	101	C79		1,7	2085	0,9	548,89	11,0	23,8	17,7	40,0		1,9	1895	1,0	498,82	11,7	23,8	18,1	40,0		2,4	1490	1,2	392,20	12,7	23,8	18,8	40,0		2,5	1422	1,4	374,25	12,9	23,8	18,9	40,0		3,2	1118	2,0	294,26	13,4	23,8	19,3	40,0		8,8	402	5,5	105,87	14,2	23,8	19,8	40,0		9,7	363	6,1	95,49	14,2	23,8	19,8	40,0		5,8	605	3,2	236,21	14,0	23,8	19,7	40,0	SK 53 - 71 L/4	99	C79		7,4	476	3,8	185,72	14,1	23,8	19,8	40,0		7,8	454	4,2	177,22	14,1	23,8	19,8	40,0		9,9	357	6,3	139,34	14,2	23,8	19,8	40,0		2,1	1532	0,8	670,81	3,6	12,0	8,7	22,0	SK 42/12 - 71 L/4	61	C76 C90		2,5	1258	1,0	550,73	5,6	12,0	9,8	21,7		3,2	990	1,2	433,49	6,8	12,0	10,5	21,1		3,3	1078	1,1	421,11	6,5	12,0	10,3	20,5	SK 43 - 71 L/4	66	C77		3,8	921	1,4	359,59	7,1	12,0	10,6	20,0		4,6	765	1,5	298,80	7,5	12,0	10,9	19,4		5,2	676	1,9	263,93	7,7	12,0	11,1	19,1		6,3	562	2,1	219,32	7,9	12,0	11,2	18,5		7,6	468	2,2	182,76	8,1	12,0	11,3	17,7		11	331	3,7	129,38	8,2	12,0	11,5	16,5		5,2	612	1,0	267,79	6,0	9,0	8,9	21,4	SK 32/12 - 71 L/4	50	C74 C90		5,6	635	1,1	248,17	5,9	9,0	8,8	20,7	SK 33N - 71 L/4	45	C75		6,7	530	1,3	207,10	6,2	9,0	9,0	20,0		8,3	426	1,6	166,49	6,5	9,0	9,2	19,3		10	343	1,9	134,02	6,6	9,0	9,3	18,3		12	287	1,9	112,18	6,7	9,0	9,4	17,5		11	309	1,7	81,27	6,7	9,0	9,3	18,0	SK 32 - 80 S/6	38	C74		13	276	2,0	72,76	6,7	9,0	9,4	17,5		14	244	2,6	64,26	6,8	9,0	9,4	17,0		17	208	2,5	81,27	6,8	9,0	9,4	16,4	SK 32 - 71 L/4	36	C74		19	186	3,0	72,76	6,8	9,0	9,4	15,9		8,3	382	0,9	167,21	4,2	5,6	6,7	13,7	SK 22/02 - 71 L/4	37	C72 C90		9,1	388	0,8	151,44	4,2	5,6	6,6	12,9	SK 23 - 71 L/4	33	C73		11	318	1,1	124,17	4,6	5,6	6,9	12,8		14	258	1,3	100,60	4,9	5,6	7,1	12,4		16	226	1,5	88,45	5,1	5,6	7,2	12,0		18	200	1,7	78,05	5,2	5,6	7,3	11,8		21	166	2,0	64,80	5,2	5,6	7,3	11,2		11	328	0,8	86,30	4,6	5,6	6,9	12,9	SK 22 - 80 S/6	27	C72		13	265	1,0	69,81	4,9	5,6	7,1	12,4		17	210	1,5	55,28	5,1	5,6	7,3	11,9		20	174	1,7	45,90
	1,6	1941	1,6	849,73	19,0	44,8	27,4	45,0	SK 63/22 - 71 L/4	154	C81 C90																																																																																																																																																																																																																																																																																																																																																																																																																																																																																																														
	1,9	1661	1,9	727,45	19,4	43,3	27,6	45,0																																																																																																																																																																																																																																																																																																																																																																																																																																																																																																																	
	2,5	1262	2,5	552,45	19,9	40,6	28,0	45,0					1,5	2098	0,9	918,83	11,0	23,8	17,7	40,0	SK 52/12 - 71 L/4	90	C78 C90		2,0	1574	1,2	689,41	12,5	23,8	18,7	40,0		2,5	1238	1,5	542,09	13,2	23,8	19,1	40,0		2,8	1122	1,6	491,28	13,4	23,8	19,3	40,0					1,5	2307	0,8	607,30	10,2	23,8	17,2	40,0	SK 53 - 80 S/6	101	C79		1,7	2085	0,9	548,89	11,0	23,8	17,7	40,0		1,9	1895	1,0	498,82	11,7	23,8	18,1	40,0		2,4	1490	1,2	392,20	12,7				23,8	18,8	40,0		2,5	1422	1,4	374,25	12,9	23,8	18,9	40,0		3,2	1118	2,0	294,26	13,4	23,8	19,3	40,0		8,8	402	5,5	105,87	14,2	23,8	19,8	40,0		9,7	363	6,1	95,49	14,2	23,8	19,8	40,0		5,8	605	3,2	236,21	14,0	23,8	19,7	40,0	SK 53 - 71 L/4	99	C79		7,4	476	3,8	185,72	14,1	23,8	19,8	40,0		7,8	454	4,2	177,22	14,1	23,8	19,8	40,0		9,9	357				6,3	139,34	14,2	23,8	19,8	40,0		2,1	1532	0,8	670,81	3,6	12,0	8,7	22,0	SK 42/12 - 71 L/4	61	C76 C90		2,5	1258	1,0	550,73	5,6	12,0	9,8	21,7		3,2	990	1,2	433,49	6,8	12,0	10,5	21,1		3,3	1078	1,1	421,11	6,5	12,0	10,3	20,5	SK 43 - 71 L/4	66	C77		3,8	921	1,4	359,59	7,1	12,0	10,6	20,0		4,6	765	1,5	298,80	7,5	12,0	10,9	19,4					5,2	676	1,9	263,93	7,7	12,0	11,1	19,1		6,3	562	2,1	219,32	7,9	12,0	11,2	18,5		7,6	468	2,2	182,76	8,1	12,0	11,3	17,7		11	331	3,7	129,38	8,2	12,0	11,5	16,5		5,2	612	1,0	267,79	6,0	9,0	8,9	21,4	SK 32/12 - 71 L/4	50	C74 C90		5,6	635	1,1	248,17	5,9	9,0	8,8	20,7	SK 33N - 71 L/4	45	C75		6,7	530	1,3	207,10	6,2	9,0	9,0	20,0		8,3	426	1,6	166,49	6,5				9,0	9,2	19,3		10	343	1,9	134,02	6,6	9,0	9,3	18,3		12	287	1,9	112,18	6,7	9,0	9,4	17,5		11	309	1,7	81,27	6,7	9,0	9,3	18,0	SK 32 - 80 S/6	38	C74		13	276	2,0	72,76	6,7	9,0	9,4	17,5		14	244	2,6	64,26	6,8	9,0	9,4	17,0		17	208	2,5	81,27	6,8	9,0	9,4	16,4	SK 32 - 71 L/4	36	C74		19	186	3,0	72,76	6,8	9,0	9,4	15,9		8,3	382	0,9	167,21	4,2	5,6	6,7	13,7	SK 22/02 - 71 L/4	37	C72 C90		9,1	388	0,8	151,44	4,2	5,6	6,6	12,9	SK 23 - 71 L/4	33	C73		11	318	1,1	124,17	4,6	5,6	6,9	12,8		14	258				1,3	100,60	4,9	5,6	7,1	12,4		16	226	1,5	88,45	5,1	5,6	7,2	12,0		18	200	1,7	78,05	5,2	5,6	7,3	11,8		21	166	2,0	64,80	5,2	5,6	7,3	11,2		11	328	0,8	86,30	4,6	5,6	6,9	12,9	SK 22 - 80 S/6	27	C72		13	265	1,0	69,81	4,9	5,6	7,1	12,4					17	210	1,5	55,28	5,1	5,6	7,3	11,9		20	174	1,7	45,90	5,2	5,6	7,3	11,4					
	1,5	2098	0,9	918,83	11,0	23,8	17,7	40,0	SK 52/12 - 71 L/4	90	C78 C90																																																																																																																																																																																																																																																																																																																																																																																																																																																																																																														
	2,0	1574	1,2	689,41	12,5	23,8	18,7	40,0																																																																																																																																																																																																																																																																																																																																																																																																																																																																																																																	
	2,5	1238	1,5	542,09	13,2	23,8	19,1	40,0																																																																																																																																																																																																																																																																																																																																																																																																																																																																																																																	
	2,8	1122	1,6	491,28	13,4	23,8	19,3	40,0					1,5	2307	0,8	607,30	10,2	23,8	17,2	40,0	SK 53 - 80 S/6	101	C79		1,7	2085	0,9	548,89	11,0	23,8	17,7	40,0		1,9	1895	1,0	498,82	11,7	23,8	18,1	40,0		2,4	1490	1,2	392,20	12,7	23,8	18,8	40,0		2,5	1422	1,4	374,25	12,9	23,8	18,9	40,0		3,2	1118				2,0	294,26	13,4	23,8	19,3	40,0		8,8	402	5,5	105,87	14,2	23,8	19,8	40,0		9,7	363	6,1	95,49	14,2	23,8	19,8	40,0					5,8	605	3,2	236,21	14,0	23,8	19,7	40,0	SK 53 - 71 L/4	99	C79		7,4	476	3,8	185,72	14,1	23,8	19,8	40,0		7,8	454	4,2	177,22	14,1	23,8	19,8	40,0		9,9	357	6,3	139,34	14,2	23,8	19,8	40,0		2,1	1532	0,8	670,81	3,6	12,0	8,7	22,0	SK 42/12 - 71 L/4	61	C76 C90		2,5	1258	1,0	550,73	5,6	12,0	9,8	21,7		3,2	990	1,2	433,49	6,8	12,0	10,5	21,1		3,3	1078	1,1	421,11	6,5	12,0	10,3	20,5	SK 43 - 71 L/4	66	C77		3,8	921	1,4	359,59	7,1	12,0	10,6	20,0		4,6	765	1,5	298,80	7,5	12,0	10,9	19,4		5,2	676	1,9	263,93	7,7	12,0	11,1	19,1		6,3	562	2,1	219,32	7,9	12,0	11,2	18,5		7,6	468				2,2	182,76	8,1	12,0	11,3	17,7		11	331	3,7	129,38	8,2	12,0	11,5	16,5		5,2	612				1,0	267,79	6,0	9,0	8,9	21,4	SK 32/12 - 71 L/4	50	C74 C90		5,6	635	1,1	248,17	5,9	9,0	8,8	20,7	SK 33N - 71 L/4	45	C75		6,7	530	1,3	207,10	6,2	9,0	9,0	20,0		8,3	426	1,6	166,49	6,5	9,0	9,2	19,3		10	343	1,9	134,02	6,6	9,0	9,3	18,3		12	287	1,9	112,18	6,7	9,0	9,4	17,5					11	309	1,7	81,27	6,7	9,0	9,3	18,0	SK 32 - 80 S/6	38	C74		13	276	2,0	72,76	6,7	9,0	9,4	17,5		14	244	2,6	64,26	6,8	9,0	9,4	17,0		17	208	2,5	81,27	6,8	9,0	9,4	16,4	SK 32 - 71 L/4	36	C74		19	186	3,0	72,76	6,8	9,0	9,4	15,9		8,3	382	0,9	167,21	4,2	5,6	6,7	13,7	SK 22/02 - 71 L/4	37	C72 C90		9,1	388	0,8	151,44	4,2	5,6	6,6	12,9	SK 23 - 71 L/4	33	C73		11	318	1,1	124,17	4,6	5,6	6,9	12,8		14	258	1,3	100,60	4,9	5,6	7,1	12,4		16	226	1,5	88,45	5,1	5,6	7,2	12,0		18	200	1,7	78,05	5,2	5,6	7,3	11,8					21	166	2,0	64,80	5,2	5,6	7,3	11,2		11	328	0,8	86,30	4,6	5,6	6,9	12,9	SK 22 - 80 S/6	27	C72		13	265	1,0	69,81	4,9	5,6	7,1	12,4		17	210	1,5	55,28	5,1	5,6	7,3	11,9		20	174	1,7	45,90	5,2	5,6	7,3	11,4																																															
	1,5	2307	0,8	607,30	10,2	23,8	17,2	40,0	SK 53 - 80 S/6	101	C79																																																																																																																																																																																																																																																																																																																																																																																																																																																																																																														
	1,7	2085	0,9	548,89	11,0	23,8	17,7	40,0																																																																																																																																																																																																																																																																																																																																																																																																																																																																																																																	
	1,9	1895	1,0	498,82	11,7	23,8	18,1	40,0																																																																																																																																																																																																																																																																																																																																																																																																																																																																																																																	
	2,4	1490	1,2	392,20	12,7	23,8	18,8	40,0																																																																																																																																																																																																																																																																																																																																																																																																																																																																																																																	
	2,5	1422	1,4	374,25	12,9	23,8	18,9	40,0																																																																																																																																																																																																																																																																																																																																																																																																																																																																																																																	
	3,2	1118	2,0	294,26	13,4	23,8	19,3	40,0																																																																																																																																																																																																																																																																																																																																																																																																																																																																																																																	
	8,8	402	5,5	105,87	14,2	23,8	19,8	40,0																																																																																																																																																																																																																																																																																																																																																																																																																																																																																																																	
	9,7	363	6,1	95,49	14,2	23,8	19,8	40,0					5,8	605	3,2	236,21	14,0	23,8	19,7	40,0	SK 53 - 71 L/4	99	C79		7,4	476	3,8	185,72	14,1	23,8	19,8	40,0		7,8	454	4,2	177,22	14,1	23,8	19,8	40,0		9,9	357	6,3	139,34	14,2	23,8	19,8	40,0		2,1	1532	0,8	670,81	3,6	12,0	8,7	22,0	SK 42/12 - 71 L/4	61	C76 C90		2,5	1258	1,0	550,73	5,6	12,0	9,8	21,7		3,2	990	1,2	433,49	6,8	12,0	10,5	21,1		3,3	1078	1,1	421,11	6,5	12,0	10,3	20,5	SK 43 - 71 L/4	66	C77		3,8	921	1,4	359,59	7,1	12,0	10,6	20,0		4,6	765	1,5	298,80	7,5	12,0	10,9	19,4		5,2	676	1,9	263,93	7,7	12,0	11,1	19,1		6,3	562	2,1	219,32	7,9	12,0	11,2	18,5		7,6	468	2,2	182,76	8,1	12,0	11,3	17,7		11	331	3,7	129,38	8,2	12,0	11,5	16,5		5,2	612	1,0	267,79	6,0	9,0	8,9	21,4	SK 32/12 - 71 L/4	50	C74 C90		5,6	635	1,1	248,17	5,9	9,0	8,8	20,7	SK 33N - 71 L/4	45	C75		6,7	530	1,3	207,10	6,2	9,0	9,0	20,0		8,3	426	1,6	166,49	6,5	9,0	9,2	19,3		10	343	1,9	134,02	6,6	9,0	9,3	18,3		12	287	1,9	112,18	6,7	9,0	9,4	17,5		11	309	1,7	81,27	6,7	9,0	9,3	18,0	SK 32 - 80 S/6	38	C74		13	276	2,0	72,76	6,7	9,0	9,4	17,5		14	244	2,6	64,26	6,8	9,0	9,4	17,0		17	208	2,5	81,27	6,8	9,0	9,4	16,4	SK 32 - 71 L/4	36	C74		19	186	3,0	72,76	6,8	9,0	9,4	15,9		8,3	382	0,9	167,21	4,2	5,6	6,7	13,7	SK 22/02 - 71 L/4	37	C72 C90		9,1	388	0,8	151,44	4,2	5,6	6,6	12,9	SK 23 - 71 L/4	33	C73		11	318	1,1	124,17	4,6	5,6	6,9	12,8		14	258	1,3	100,60	4,9	5,6	7,1	12,4		16	226	1,5	88,45	5,1	5,6	7,2	12,0		18	200	1,7	78,05	5,2	5,6	7,3	11,8		21	166	2,0	64,80	5,2	5,6	7,3	11,2		11	328	0,8	86,30	4,6	5,6	6,9	12,9	SK 22 - 80 S/6	27	C72		13	265	1,0	69,81	4,9	5,6	7,1	12,4		17	210	1,5	55,28	5,1	5,6	7,3	11,9		20	174	1,7	45,90	5,2	5,6	7,3	11,4																																																																																																																																												
	5,8	605	3,2	236,21	14,0	23,8	19,7	40,0	SK 53 - 71 L/4	99	C79																																																																																																																																																																																																																																																																																																																																																																																																																																																																																																														
	7,4	476	3,8	185,72	14,1	23,8	19,8	40,0																																																																																																																																																																																																																																																																																																																																																																																																																																																																																																																	
	7,8	454	4,2	177,22	14,1	23,8	19,8	40,0																																																																																																																																																																																																																																																																																																																																																																																																																																																																																																																	
	9,9	357	6,3	139,34	14,2	23,8	19,8	40,0					2,1	1532	0,8	670,81	3,6	12,0	8,7	22,0	SK 42/12 - 71 L/4	61	C76 C90		2,5	1258	1,0	550,73	5,6	12,0	9,8	21,7		3,2	990	1,2	433,49	6,8	12,0	10,5	21,1		3,3	1078	1,1	421,11	6,5	12,0	10,3	20,5	SK 43 - 71 L/4	66	C77		3,8	921	1,4	359,59	7,1	12,0	10,6	20,0		4,6	765	1,5	298,80	7,5	12,0	10,9	19,4		5,2	676	1,9	263,93	7,7	12,0	11,1	19,1		6,3	562	2,1	219,32	7,9	12,0	11,2	18,5					7,6	468	2,2	182,76	8,1	12,0	11,3	17,7		11	331	3,7	129,38	8,2	12,0	11,5	16,5		5,2	612	1,0	267,79	6,0	9,0	8,9	21,4	SK 32/12 - 71 L/4	50	C74 C90		5,6	635	1,1	248,17	5,9	9,0	8,8	20,7	SK 33N - 71 L/4	45	C75		6,7	530	1,3	207,10	6,2	9,0	9,0	20,0		8,3	426	1,6	166,49	6,5	9,0	9,2	19,3		10	343	1,9	134,02	6,6	9,0	9,3	18,3		12	287	1,9	112,18	6,7				9,0	9,4	17,5		11	309	1,7	81,27	6,7	9,0	9,3	18,0	SK 32 - 80 S/6	38	C74		13	276	2,0	72,76	6,7	9,0	9,4	17,5		14	244	2,6	64,26	6,8	9,0	9,4	17,0		17	208	2,5	81,27	6,8	9,0	9,4	16,4	SK 32 - 71 L/4	36	C74		19	186	3,0	72,76	6,8	9,0	9,4	15,9		8,3	382	0,9	167,21	4,2	5,6	6,7	13,7	SK 22/02 - 71 L/4	37	C72 C90		9,1	388	0,8	151,44	4,2	5,6	6,6	12,9	SK 23 - 71 L/4	33	C73		11	318	1,1	124,17	4,6	5,6	6,9	12,8		14	258	1,3	100,60	4,9	5,6	7,1	12,4		16	226	1,5	88,45	5,1	5,6	7,2	12,0		18	200				1,7	78,05	5,2	5,6	7,3	11,8		21	166	2,0	64,80	5,2	5,6	7,3	11,2		11	328	0,8	86,30	4,6	5,6	6,9	12,9	SK 22 - 80 S/6	27	C72		13	265	1,0	69,81	4,9	5,6	7,1	12,4		17	210	1,5	55,28	5,1	5,6	7,3	11,9		20	174	1,7	45,90	5,2	5,6	7,3	11,4																																																																																																																																																																										
	2,1	1532	0,8	670,81	3,6	12,0	8,7	22,0	SK 42/12 - 71 L/4	61	C76 C90																																																																																																																																																																																																																																																																																																																																																																																																																																																																																																														
	2,5	1258	1,0	550,73	5,6	12,0	9,8	21,7																																																																																																																																																																																																																																																																																																																																																																																																																																																																																																																	
	3,2	990	1,2	433,49	6,8	12,0	10,5	21,1					3,3	1078	1,1	421,11	6,5	12,0	10,3	20,5	SK 43 - 71 L/4	66	C77		3,8	921	1,4	359,59	7,1	12,0	10,6	20,0		4,6	765	1,5	298,80	7,5	12,0	10,9	19,4		5,2	676	1,9	263,93	7,7	12,0	11,1	19,1					6,3	562	2,1	219,32	7,9	12,0	11,2	18,5		7,6	468	2,2	182,76	8,1	12,0	11,3	17,7		11	331	3,7	129,38	8,2	12,0	11,5	16,5		5,2	612	1,0	267,79	6,0	9,0	8,9	21,4				SK 32/12 - 71 L/4	50	C74 C90		5,6	635	1,1	248,17	5,9	9,0	8,8	20,7	SK 33N - 71 L/4	45	C75		6,7	530	1,3	207,10	6,2	9,0	9,0	20,0		8,3	426	1,6	166,49	6,5	9,0	9,2	19,3		10	343	1,9	134,02	6,6				9,0	9,3	18,3		12	287	1,9	112,18	6,7	9,0	9,4	17,5		11	309	1,7	81,27	6,7	9,0	9,3	18,0	SK 32 - 80 S/6	38	C74		13	276	2,0	72,76	6,7	9,0	9,4	17,5		14	244	2,6	64,26	6,8	9,0	9,4	17,0		17	208	2,5	81,27	6,8	9,0	9,4	16,4	SK 32 - 71 L/4	36	C74		19	186	3,0	72,76	6,8	9,0	9,4	15,9		8,3	382	0,9	167,21	4,2	5,6	6,7	13,7	SK 22/02 - 71 L/4	37	C72 C90		9,1	388	0,8	151,44	4,2	5,6	6,6	12,9	SK 23 - 71 L/4	33	C73		11	318	1,1	124,17	4,6	5,6	6,9	12,8		14	258	1,3	100,60	4,9	5,6	7,1	12,4		16	226	1,5	88,45	5,1				5,6	7,2	12,0		18	200	1,7	78,05	5,2	5,6	7,3	11,8		21	166	2,0	64,80	5,2	5,6	7,3	11,2		11	328	0,8	86,30	4,6	5,6	6,9	12,9	SK 22 - 80 S/6	27	C72		13	265	1,0	69,81	4,9	5,6	7,1	12,4		17	210	1,5	55,28	5,1	5,6	7,3	11,9		20	174	1,7	45,90	5,2				5,6	7,3	11,4																																																																																																																																																																																																		
	3,3	1078	1,1	421,11	6,5	12,0	10,3	20,5	SK 43 - 71 L/4	66	C77																																																																																																																																																																																																																																																																																																																																																																																																																																																																																																														
	3,8	921	1,4	359,59	7,1	12,0	10,6	20,0																																																																																																																																																																																																																																																																																																																																																																																																																																																																																																																	
	4,6	765	1,5	298,80	7,5	12,0	10,9	19,4																																																																																																																																																																																																																																																																																																																																																																																																																																																																																																																	
	5,2	676	1,9	263,93	7,7	12,0	11,1	19,1																																																																																																																																																																																																																																																																																																																																																																																																																																																																																																																	
	6,3	562	2,1	219,32	7,9	12,0	11,2	18,5																																																																																																																																																																																																																																																																																																																																																																																																																																																																																																																	
	7,6	468	2,2	182,76	8,1	12,0	11,3	17,7																																																																																																																																																																																																																																																																																																																																																																																																																																																																																																																	
	11	331	3,7	129,38	8,2	12,0	11,5	16,5																																																																																																																																																																																																																																																																																																																																																																																																																																																																																																																	
	5,2	612	1,0	267,79	6,0	9,0	8,9	21,4				SK 32/12 - 71 L/4	50	C74 C90																																																																																																																																																																																																																																																																																																																																																																																																																																																																																																											
	5,6	635	1,1	248,17	5,9	9,0	8,8	20,7	SK 33N - 71 L/4	45	C75																																																																																																																																																																																																																																																																																																																																																																																																																																																																																																														
	6,7	530	1,3	207,10	6,2	9,0	9,0	20,0																																																																																																																																																																																																																																																																																																																																																																																																																																																																																																																	
	8,3	426	1,6	166,49	6,5	9,0	9,2	19,3																																																																																																																																																																																																																																																																																																																																																																																																																																																																																																																	
	10	343	1,9	134,02	6,6	9,0	9,3	18,3																																																																																																																																																																																																																																																																																																																																																																																																																																																																																																																	
	12	287	1,9	112,18	6,7	9,0	9,4	17,5					11	309	1,7	81,27	6,7	9,0	9,3	18,0	SK 32 - 80 S/6	38	C74		13	276	2,0	72,76	6,7	9,0	9,4	17,5		14	244	2,6	64,26	6,8	9,0	9,4	17,0		17	208	2,5	81,27	6,8	9,0	9,4	16,4	SK 32 - 71 L/4	36	C74		19	186	3,0	72,76	6,8	9,0	9,4	15,9		8,3	382	0,9	167,21	4,2	5,6	6,7	13,7	SK 22/02 - 71 L/4	37	C72 C90		9,1	388	0,8	151,44	4,2	5,6	6,6	12,9	SK 23 - 71 L/4	33	C73		11	318	1,1	124,17	4,6	5,6	6,9	12,8		14	258	1,3	100,60	4,9	5,6	7,1	12,4		16	226	1,5	88,45	5,1	5,6	7,2	12,0		18	200	1,7	78,05	5,2	5,6	7,3	11,8		21	166	2,0	64,80	5,2	5,6	7,3	11,2		11	328	0,8	86,30	4,6	5,6	6,9	12,9	SK 22 - 80 S/6	27	C72		13	265	1,0	69,81	4,9	5,6	7,1	12,4		17	210	1,5	55,28	5,1	5,6	7,3	11,9		20	174	1,7	45,90	5,2	5,6	7,3	11,4																																																																																																																																																																																																																																																																																																																																															
	11	309	1,7	81,27	6,7	9,0	9,3	18,0	SK 32 - 80 S/6	38	C74																																																																																																																																																																																																																																																																																																																																																																																																																																																																																																														
	13	276	2,0	72,76	6,7	9,0	9,4	17,5																																																																																																																																																																																																																																																																																																																																																																																																																																																																																																																	
	14	244	2,6	64,26	6,8	9,0	9,4	17,0					17	208	2,5	81,27	6,8	9,0	9,4	16,4	SK 32 - 71 L/4	36	C74		19	186	3,0	72,76	6,8	9,0	9,4	15,9		8,3	382	0,9	167,21	4,2	5,6	6,7	13,7	SK 22/02 - 71 L/4	37	C72 C90		9,1	388	0,8	151,44	4,2	5,6	6,6	12,9	SK 23 - 71 L/4	33	C73		11	318	1,1	124,17	4,6	5,6	6,9	12,8		14	258	1,3	100,60	4,9	5,6	7,1	12,4		16	226	1,5	88,45	5,1	5,6	7,2	12,0					18	200	1,7	78,05	5,2	5,6	7,3	11,8		21	166	2,0	64,80	5,2	5,6	7,3	11,2		11	328	0,8	86,30	4,6	5,6	6,9	12,9	SK 22 - 80 S/6	27	C72		13	265	1,0	69,81	4,9	5,6	7,1	12,4		17	210	1,5	55,28	5,1	5,6	7,3	11,9		20	174	1,7	45,90	5,2				5,6	7,3	11,4																																																																																																																																																																																																																																																																																																																																																																							
	17	208	2,5	81,27	6,8	9,0	9,4	16,4	SK 32 - 71 L/4	36	C74																																																																																																																																																																																																																																																																																																																																																																																																																																																																																																														
	19	186	3,0	72,76	6,8	9,0	9,4	15,9					8,3	382	0,9	167,21	4,2	5,6	6,7	13,7	SK 22/02 - 71 L/4	37	C72 C90		9,1	388	0,8	151,44	4,2	5,6	6,6	12,9	SK 23 - 71 L/4	33	C73		11	318	1,1	124,17	4,6	5,6	6,9	12,8		14	258	1,3	100,60	4,9	5,6	7,1	12,4					16	226	1,5	88,45	5,1	5,6	7,2	12,0		18	200	1,7	78,05	5,2	5,6	7,3	11,8		21	166	2,0	64,80	5,2	5,6	7,3	11,2					11	328	0,8	86,30	4,6	5,6	6,9	12,9	SK 22 - 80 S/6	27	C72		13	265	1,0	69,81	4,9	5,6	7,1	12,4		17	210	1,5	55,28	5,1				5,6	7,3	11,9		20	174	1,7	45,90	5,2	5,6	7,3	11,4																																																																																																																																																																																																																																																																																																																																																																																									
	8,3	382	0,9	167,21	4,2	5,6	6,7	13,7	SK 22/02 - 71 L/4	37	C72 C90																																																																																																																																																																																																																																																																																																																																																																																																																																																																																																														
	9,1	388	0,8	151,44	4,2	5,6	6,6	12,9	SK 23 - 71 L/4	33	C73																																																																																																																																																																																																																																																																																																																																																																																																																																																																																																														
	11	318	1,1	124,17	4,6	5,6	6,9	12,8																																																																																																																																																																																																																																																																																																																																																																																																																																																																																																																	
	14	258	1,3	100,60	4,9	5,6	7,1	12,4																																																																																																																																																																																																																																																																																																																																																																																																																																																																																																																	
	16	226	1,5	88,45	5,1	5,6	7,2	12,0																																																																																																																																																																																																																																																																																																																																																																																																																																																																																																																	
	18	200	1,7	78,05	5,2	5,6	7,3	11,8																																																																																																																																																																																																																																																																																																																																																																																																																																																																																																																	
	21	166	2,0	64,80	5,2	5,6	7,3	11,2					11	328	0,8	86,30	4,6	5,6	6,9	12,9	SK 22 - 80 S/6	27	C72		13	265	1,0	69,81	4,9	5,6	7,1	12,4		17	210	1,5	55,28	5,1	5,6	7,3	11,9		20	174	1,7	45,90	5,2	5,6	7,3	11,4																																																																																																																																																																																																																																																																																																																																																																																																																																																																							
	11	328	0,8	86,30	4,6	5,6	6,9	12,9	SK 22 - 80 S/6	27	C72																																																																																																																																																																																																																																																																																																																																																																																																																																																																																																														
	13	265	1,0	69,81	4,9	5,6	7,1	12,4																																																																																																																																																																																																																																																																																																																																																																																																																																																																																																																	
	17	210	1,5	55,28	5,1	5,6	7,3	11,9																																																																																																																																																																																																																																																																																																																																																																																																																																																																																																																	
	20	174	1,7	45,90	5,2	5,6	7,3	11,4																																																																																																																																																																																																																																																																																																																																																																																																																																																																																																																	


0,37 kW



Helical Gear Units

P ₁ [kW]	n ₂ [min ⁻¹]	M ₂ [Nm]	f _B	i _{ges}	F _R [kN]	F _A [kN]	F _{R VL} [kN]	F _{A VL} [kN]	Type	kg	mm
0,37	16	221	1,1	86,30	5,1	5,6	7,2	12,0	SK 22 - 71 L/4	25	C72
	25	142	2,3	55,28	5,3	5,6	7,4	10,9			
	30	118	2,5	45,90	5,3	5,6	7,4	10,4			
	15	212	0,8	92,89	3,0	4,0	4,6	9,8	SK 12/02 - 71 L/4	24	C70 C90
	16	219	0,8	85,47	2,9	4,0	4,6	9,5	SK 13 - 71 L/4	21	C71
	20	175	1,1	68,40	3,2	4,0	4,8	9,1			
	22	157	1,0	61,35	3,3	4,0	4,8	9,0	SK 12 - 71 L/4	16	C70
	26	138	1,3	53,84	3,4	4,0	4,9	8,8			
	29	123	1,4	47,87	3,5	4,0	4,9	8,6			
	32	110	1,5	43,09	3,5	4,0	5,0	8,3			
	36	98	1,9	38,31	3,5	4,0	5,0	8,1			
	39	90	1,7	35,07	3,6	4,0	5,0	7,9			
	44	80	2,1	31,19	3,6	4,0	5,0	7,8			
	47	75	1,7	29,15	3,5	4,0	5,0	7,6			
	53	66	2,1	25,92	3,4	4,0	5,1	7,4			
	65	54	3,1	21,28	3,3	4,0	5,1	7,1			
	73	48	3,3	18,79	3,2	4,0	5,1	6,9			
	82	43	3,6	16,73	3,0	4,0	5,1	6,7			
	103	34	4,3	13,39	2,8	4,0	5,1	6,3			
	33	106	0,9	41,58	2,0	3,3	3,1	6,2			
	41	86	1,1	33,42	2,2	3,3	3,2	6,2			
	47	76	1,2	29,61	2,2	3,3	3,2	6,1			
	50	70	1,2	27,52	2,2	3,3	3,2	5,9			
	57	62	1,4	24,39	2,3	3,3	3,3	5,8			
	60	59	1,3	23,13	2,3	3,3	3,3	5,7			
	67	53	1,4	20,59	2,3	3,3	3,3	5,7			
	87	41	1,8	15,95	2,4	3,3	3,3	5,3			
	108	33	2,1	12,82	2,4	3,3	3,3	5,0			
	122	29	2,3	11,27	2,4	3,3	3,3	4,8			
	139	25	2,5	9,95	2,3	3,3	3,3	4,6			
	149	24	2,7	9,28	2,3	3,3	3,2	4,5			
	168	21	3,0	8,19	2,2	3,3	3,1	4,4			
	177	20	3,2	7,80	2,2	3,3	3,0	4,3			
	200	18	3,5	6,89	2,1	3,3	2,9	4,2			
	226	16	3,6	6,10	2,0	3,3	2,8	4,0			
	248	14	4,0	5,57	2,0	3,3	2,8	3,9			
	286	12	4,6	4,82	1,9	3,3	2,6	3,7			
	327	11	4,8	4,22	1,8	3,2	2,5	3,6			
	355	10	5,3	3,89	1,7	3,1	2,5	3,5			
	408	9	5,9	3,38	1,7	2,9	2,4	3,4			
	468	8	6,1	2,95	1,6	2,8	2,3	3,2			
	488	7	7,5	2,83	-	3,3	1,9	5,0	SK 11E - 71 L/4	12	C63
	595	6	9,4	2,32	-	3,0	2,0	4,6			
	676	5	11,1	2,04	-	2,9	2,0	4,3			
	762	5	11,9	1,81	-	2,7	2,0	4,1			



P ₁ [kW]	n ₂ [min ⁻¹]	M ₂ [Nm]	f _B	i _{ges}	F _R [kN]	F _A [kN]	F _{R VL} [kN]	F _{A VL} [kN]	Type	kg	mm 																																																																																																																																																																																																																																																																																																																																																																																																																																																																																																																							
0,55	1,2	3963	2,0	1155,49	43,6	65,0	61,9	65,0	SK 83/32 - 80 SH/4	356	C85 C90																																																																																																																																																																																																																																																																																																																																																																																																																																																																																																																							
	1,6	3089	2,6	900,50	44,3	65,0	62,4	65,0					1,1	4301	1,2	1254,07	23,9	42,2	37,1	50,0	SK 73/22 - 80 SH/4	238	C83 C90		1,3	3772	1,3	1099,84	25,0	41,3	37,9	50,0		1,6	3046	1,6	888,16	26,2	39,9	38,7	50,0		1,9	2530	2,0	737,61	26,9	38,5	39,1	50,0		2,5	1944	2,6	566,77	27,5	36,5	39,6	50,0		3,1	1570	3,2	457,68	27,8	34,9	39,8	50,0		1,3	3650	0,9	1064,04	14,7	43,0	24,6	45,0	SK 63/23 - 80 SH/4	165	C81 C91		1,7	2915	1,1	849,73	17,0	41,6	26,0	45,0	SK 63/22 - 80 SH/4	157	C81 C90		2,0	2495	1,3	727,45	18,0	40,5	26,7	45,0		2,6	1895	1,7	552,45	19,1	38,5	27,4	45,0		3,3	1476	2,2	430,19	19,6	36,4	27,8	45,0		3,9	1263	2,5	368,29	19,9	35,2	28,0	45,0		2,1	2365	0,8	689,41	9,9	23,8	17,0	40,0	SK 52/12 - 80 SH/4	93	C78 C90		2,6	1859	1,0	542,09	11,8	23,8	18,2	40,0		2,9	1685	1,1	491,28	12,3	23,8	18,5	40,0		4,0	1214	1,5	354,06	13,3	23,8	19,2	40,0		2,3	2246	0,8	607,30	10,4	23,8	17,3	40,0	SK 53 - 80 SH/4	102	C79		2,6	2030	0,9	548,89	11,2	23,8	17,8	40,0		2,8	1845	1,0	498,82	11,8	23,8	18,2	40,0		3,6	1451	1,3	392,20	12,8	23,8	18,9	40,0		3,8	1384	1,4	374,25	12,9	23,8	19,0	40,0		4,8	1088	2,0	294,26	13,5	23,8	19,3	40,0		5,8	908	2,0	245,56	13,7	23,8	19,5	40,0		6,0	874	2,2	236,21	13,8	23,8	19,5	40,0		7,6	687	2,6	185,72	13,9	23,8	19,6	40,0		8,0	656	2,9	177,22	14,0	23,8	19,7	40,0		3,3	1487	0,8	433,49	4,0	12,0	8,9	18,3	SK 42/12 - 80 SH/4	64	C76 C90		3,4	1558	0,8	421,11	3,3	12,0	8,6	17,9	SK 43 - 80 SH/4	69	C77		3,9	1330	1,0	359,59	5,2	12,0	9,5	17,7		4,8	1105	1,0	298,80	6,4	12,0	10,2	17,4		5,1	1030	1,2	278,51	6,7	12,0	10,4	17,4		5,4	976	1,3	263,93	6,9	12,0	10,5	17,4		6,1	856	1,3	231,43	7,3	12,0	10,8	17,0		6,5	811	1,5	219,32	7,4	12,0	10,9	16,9		6,9	756	1,7	204,42	7,5	12,0	10,9	16,9		7,8	676	1,5	182,76	7,7	12,0	11,1	16,4		8,4	628	1,9	169,86	7,8	12,0	11,1	16,3		10	524	2,0	141,55	8,0	12,0	11,3	15,7		11	479	2,6	129,38	8,1	12,0	11,3	15,6		13	398	2,8	107,51	8,2	12,0	11,4	15,0		15	351	3,5	94,96	8,2	12,0	11,4	14,7		18	296	4,2	79,96	8,3	12,0	11,5	14,1		6,6	739	0,8	215,56	5,6	9,0	8,6	18,7	SK 32/12 - 80 SH/4	53	C74 C90		6,9	766	0,9	207,10	5,5	9,0	8,5	18,4	SK 33N - 80 SH/4	48	C75		8,5	616	1,1	166,49	6,0	9,0	8,9	17,9		11	496	1,3	134,02	6,3	9,0	9,1	17,1		13	415	1,3	112,18	6,5	9,0	9,2	16,5		16	326	1,6	88,18	6,7	9,0	9,3	15,7		17	301	1,7	81,27	6,7	9,0	9,3	15,6	SK 32 - 80 SH/4	39	C74		20	269	2,1	72,76	6,7	9,0	9,4	15,2		22	238	2,7	64,26	6,8	9,0	9,4	14,8		25	213	2,9	57,53	6,8	9,0	9,4	14,4		31	171	3,1	46,31
	1,1	4301	1,2	1254,07	23,9	42,2	37,1	50,0	SK 73/22 - 80 SH/4	238	C83 C90																																																																																																																																																																																																																																																																																																																																																																																																																																																																																																																							
	1,3	3772	1,3	1099,84	25,0	41,3	37,9	50,0																																																																																																																																																																																																																																																																																																																																																																																																																																																																																																																										
	1,6	3046	1,6	888,16	26,2	39,9	38,7	50,0																																																																																																																																																																																																																																																																																																																																																																																																																																																																																																																										
	1,9	2530	2,0	737,61	26,9	38,5	39,1	50,0																																																																																																																																																																																																																																																																																																																																																																																																																																																																																																																										
	2,5	1944	2,6	566,77	27,5	36,5	39,6	50,0																																																																																																																																																																																																																																																																																																																																																																																																																																																																																																																										
	3,1	1570	3,2	457,68	27,8	34,9	39,8	50,0					1,3	3650	0,9	1064,04	14,7	43,0	24,6	45,0	SK 63/23 - 80 SH/4	165	C81 C91		1,7	2915	1,1	849,73	17,0	41,6	26,0	45,0	SK 63/22 - 80 SH/4	157	C81 C90		2,0	2495	1,3	727,45	18,0	40,5	26,7	45,0		2,6	1895	1,7	552,45	19,1	38,5	27,4	45,0		3,3	1476	2,2	430,19	19,6	36,4	27,8	45,0		3,9	1263	2,5	368,29	19,9	35,2	28,0	45,0		2,1	2365	0,8	689,41	9,9	23,8	17,0	40,0	SK 52/12 - 80 SH/4	93	C78 C90		2,6	1859	1,0	542,09	11,8	23,8	18,2	40,0		2,9	1685	1,1	491,28	12,3	23,8	18,5	40,0		4,0	1214	1,5	354,06	13,3	23,8	19,2	40,0		2,3	2246	0,8	607,30	10,4	23,8	17,3	40,0	SK 53 - 80 SH/4	102	C79		2,6	2030	0,9	548,89	11,2	23,8	17,8	40,0		2,8	1845	1,0	498,82	11,8	23,8	18,2	40,0		3,6	1451	1,3	392,20	12,8	23,8	18,9	40,0		3,8	1384	1,4	374,25	12,9	23,8	19,0	40,0		4,8	1088	2,0	294,26	13,5	23,8	19,3	40,0		5,8	908	2,0	245,56	13,7	23,8	19,5	40,0					6,0	874	2,2	236,21	13,8	23,8	19,5	40,0		7,6	687	2,6	185,72	13,9	23,8	19,6	40,0		8,0	656	2,9	177,22	14,0	23,8	19,7	40,0		3,3	1487	0,8	433,49	4,0	12,0	8,9	18,3	SK 42/12 - 80 SH/4	64	C76 C90		3,4	1558	0,8	421,11	3,3	12,0	8,6	17,9	SK 43 - 80 SH/4	69	C77		3,9	1330	1,0	359,59	5,2	12,0	9,5	17,7		4,8	1105	1,0	298,80	6,4	12,0	10,2	17,4		5,1	1030	1,2	278,51	6,7	12,0	10,4	17,4		5,4	976	1,3	263,93	6,9	12,0	10,5	17,4		6,1	856	1,3	231,43	7,3	12,0	10,8	17,0		6,5	811	1,5	219,32	7,4				12,0	10,9	16,9		6,9	756	1,7	204,42	7,5	12,0	10,9	16,9		7,8	676	1,5	182,76	7,7	12,0	11,1	16,4		8,4	628	1,9	169,86	7,8	12,0	11,1	16,3		10	524	2,0	141,55	8,0	12,0	11,3	15,7		11	479	2,6	129,38	8,1	12,0	11,3	15,6		13	398	2,8	107,51	8,2	12,0	11,4	15,0		15	351	3,5	94,96	8,2	12,0	11,4	14,7		18	296	4,2	79,96	8,3	12,0	11,5	14,1		6,6	739	0,8	215,56	5,6	9,0	8,6	18,7	SK 32/12 - 80 SH/4	53	C74 C90		6,9	766	0,9	207,10	5,5	9,0	8,5	18,4	SK 33N - 80 SH/4	48	C75		8,5	616	1,1	166,49	6,0	9,0	8,9	17,9		11	496	1,3	134,02	6,3	9,0	9,1	17,1		13	415	1,3	112,18	6,5	9,0	9,2	16,5		16	326	1,6	88,18	6,7	9,0	9,3	15,7		17	301	1,7	81,27	6,7	9,0	9,3	15,6	SK 32 - 80 SH/4	39	C74		20	269	2,1	72,76	6,7	9,0	9,4	15,2		22	238	2,7	64,26	6,8	9,0	9,4	14,8		25	213	2,9	57,53	6,8	9,0	9,4	14,4		31	171	3,1	46,31	6,8	9,0	9,4	13,6																																															
	1,3	3650	0,9	1064,04	14,7	43,0	24,6	45,0	SK 63/23 - 80 SH/4	165	C81 C91																																																																																																																																																																																																																																																																																																																																																																																																																																																																																																																							
	1,7	2915	1,1	849,73	17,0	41,6	26,0	45,0	SK 63/22 - 80 SH/4	157	C81 C90																																																																																																																																																																																																																																																																																																																																																																																																																																																																																																																							
	2,0	2495	1,3	727,45	18,0	40,5	26,7	45,0																																																																																																																																																																																																																																																																																																																																																																																																																																																																																																																										
	2,6	1895	1,7	552,45	19,1	38,5	27,4	45,0																																																																																																																																																																																																																																																																																																																																																																																																																																																																																																																										
	3,3	1476	2,2	430,19	19,6	36,4	27,8	45,0																																																																																																																																																																																																																																																																																																																																																																																																																																																																																																																										
	3,9	1263	2,5	368,29	19,9	35,2	28,0	45,0					2,1	2365	0,8	689,41	9,9	23,8	17,0	40,0	SK 52/12 - 80 SH/4	93	C78 C90		2,6	1859	1,0	542,09	11,8	23,8	18,2	40,0		2,9	1685	1,1	491,28	12,3	23,8	18,5	40,0		4,0	1214	1,5	354,06	13,3	23,8	19,2	40,0		2,3	2246	0,8	607,30	10,4	23,8	17,3	40,0	SK 53 - 80 SH/4	102	C79		2,6	2030	0,9	548,89	11,2	23,8	17,8	40,0		2,8	1845	1,0	498,82	11,8	23,8	18,2	40,0		3,6	1451	1,3	392,20	12,8	23,8	18,9	40,0		3,8	1384	1,4	374,25	12,9	23,8	19,0	40,0		4,8	1088	2,0	294,26	13,5	23,8	19,3	40,0		5,8	908	2,0	245,56	13,7	23,8	19,5	40,0		6,0	874				2,2	236,21	13,8	23,8	19,5	40,0		7,6	687	2,6	185,72	13,9	23,8	19,6	40,0		8,0	656	2,9	177,22	14,0	23,8	19,7	40,0		3,3	1487	0,8	433,49	4,0	12,0	8,9	18,3	SK 42/12 - 80 SH/4	64	C76 C90		3,4	1558	0,8	421,11	3,3	12,0	8,6	17,9	SK 43 - 80 SH/4	69	C77		3,9	1330	1,0	359,59	5,2	12,0	9,5	17,7		4,8	1105	1,0	298,80	6,4	12,0	10,2	17,4		5,1	1030	1,2	278,51	6,7	12,0	10,4	17,4		5,4	976	1,3	263,93	6,9	12,0	10,5	17,4		6,1	856	1,3	231,43	7,3	12,0	10,8	17,0		6,5	811	1,5	219,32	7,4	12,0	10,9	16,9		6,9	756				1,7	204,42	7,5	12,0	10,9	16,9		7,8	676	1,5	182,76	7,7	12,0	11,1	16,4		8,4	628	1,9	169,86	7,8	12,0	11,1	16,3		10	524	2,0	141,55	8,0	12,0	11,3	15,7		11	479	2,6	129,38	8,1	12,0	11,3	15,6		13	398	2,8	107,51	8,2	12,0	11,4	15,0					15	351	3,5	94,96	8,2	12,0	11,4	14,7		18	296	4,2	79,96	8,3	12,0	11,5	14,1		6,6	739	0,8	215,56	5,6	9,0	8,6	18,7	SK 32/12 - 80 SH/4	53	C74 C90		6,9	766	0,9	207,10	5,5	9,0	8,5	18,4	SK 33N - 80 SH/4	48	C75		8,5	616	1,1	166,49	6,0	9,0	8,9	17,9		11	496	1,3	134,02	6,3	9,0	9,1	17,1		13	415	1,3	112,18	6,5	9,0	9,2	16,5		16	326	1,6	88,18	6,7	9,0	9,3	15,7		17	301	1,7	81,27	6,7	9,0	9,3	15,6	SK 32 - 80 SH/4	39	C74		20	269	2,1	72,76	6,7	9,0	9,4	15,2		22	238	2,7	64,26	6,8	9,0	9,4	14,8		25	213	2,9	57,53	6,8	9,0	9,4	14,4		31	171	3,1	46,31	6,8	9,0	9,4	13,6																																																																																																								
	2,1	2365	0,8	689,41	9,9	23,8	17,0	40,0	SK 52/12 - 80 SH/4	93	C78 C90																																																																																																																																																																																																																																																																																																																																																																																																																																																																																																																							
	2,6	1859	1,0	542,09	11,8	23,8	18,2	40,0																																																																																																																																																																																																																																																																																																																																																																																																																																																																																																																										
	2,9	1685	1,1	491,28	12,3	23,8	18,5	40,0																																																																																																																																																																																																																																																																																																																																																																																																																																																																																																																										
	4,0	1214	1,5	354,06	13,3	23,8	19,2	40,0					2,3	2246	0,8	607,30	10,4	23,8	17,3	40,0	SK 53 - 80 SH/4	102	C79		2,6	2030	0,9	548,89	11,2	23,8	17,8	40,0		2,8	1845	1,0	498,82	11,8	23,8	18,2	40,0		3,6	1451	1,3	392,20	12,8	23,8	18,9	40,0		3,8	1384	1,4	374,25	12,9	23,8	19,0	40,0					4,8	1088	2,0	294,26	13,5	23,8	19,3	40,0		5,8	908	2,0	245,56	13,7	23,8	19,5	40,0		6,0	874	2,2	236,21	13,8	23,8	19,5	40,0		7,6	687	2,6	185,72	13,9	23,8	19,6	40,0		8,0	656	2,9	177,22	14,0	23,8	19,7	40,0		3,3	1487	0,8	433,49	4,0	12,0	8,9	18,3	SK 42/12 - 80 SH/4	64	C76 C90					3,4	1558	0,8	421,11	3,3	12,0	8,6	17,9	SK 43 - 80 SH/4	69	C77		3,9	1330	1,0	359,59	5,2	12,0	9,5	17,7		4,8	1105	1,0	298,80	6,4	12,0	10,2	17,4		5,1	1030	1,2	278,51	6,7	12,0	10,4	17,4		5,4	976	1,3	263,93	6,9				12,0	10,5	17,4		6,1	856	1,3	231,43	7,3	12,0	10,8	17,0		6,5	811	1,5	219,32	7,4	12,0	10,9	16,9		6,9	756	1,7	204,42	7,5	12,0	10,9	16,9		7,8	676	1,5	182,76	7,7	12,0	11,1	16,4		8,4	628	1,9	169,86	7,8	12,0	11,1	16,3		10	524	2,0	141,55	8,0	12,0	11,3	15,7					11	479	2,6	129,38	8,1	12,0	11,3	15,6		13	398	2,8	107,51	8,2	12,0	11,4	15,0		15	351	3,5	94,96	8,2	12,0	11,4	14,7		18	296	4,2	79,96	8,3	12,0	11,5	14,1		6,6	739	0,8	215,56	5,6	9,0	8,6	18,7	SK 32/12 - 80 SH/4	53	C74 C90		6,9	766	0,9	207,10	5,5	9,0	8,5	18,4	SK 33N - 80 SH/4	48	C75		8,5	616	1,1	166,49	6,0	9,0	8,9	17,9		11	496	1,3	134,02	6,3	9,0	9,1	17,1		13	415	1,3	112,18	6,5	9,0	9,2	16,5		16	326	1,6	88,18	6,7				9,0	9,3	15,7		17	301	1,7	81,27	6,7	9,0	9,3	15,6	SK 32 - 80 SH/4	39	C74		20	269	2,1	72,76	6,7	9,0	9,4	15,2		22	238	2,7	64,26	6,8	9,0	9,4	14,8		25	213	2,9	57,53	6,8	9,0	9,4	14,4		31	171				3,1	46,31	6,8	9,0	9,4	13,6																																																																																																																																						
	2,3	2246	0,8	607,30	10,4	23,8	17,3	40,0	SK 53 - 80 SH/4	102	C79																																																																																																																																																																																																																																																																																																																																																																																																																																																																																																																							
	2,6	2030	0,9	548,89	11,2	23,8	17,8	40,0																																																																																																																																																																																																																																																																																																																																																																																																																																																																																																																										
	2,8	1845	1,0	498,82	11,8	23,8	18,2	40,0																																																																																																																																																																																																																																																																																																																																																																																																																																																																																																																										
	3,6	1451	1,3	392,20	12,8	23,8	18,9	40,0																																																																																																																																																																																																																																																																																																																																																																																																																																																																																																																										
	3,8	1384	1,4	374,25	12,9	23,8	19,0	40,0																																																																																																																																																																																																																																																																																																																																																																																																																																																																																																																										
	4,8	1088	2,0	294,26	13,5	23,8	19,3	40,0																																																																																																																																																																																																																																																																																																																																																																																																																																																																																																																										
	5,8	908	2,0	245,56	13,7	23,8	19,5	40,0																																																																																																																																																																																																																																																																																																																																																																																																																																																																																																																										
	6,0	874	2,2	236,21	13,8	23,8	19,5	40,0																																																																																																																																																																																																																																																																																																																																																																																																																																																																																																																										
	7,6	687	2,6	185,72	13,9	23,8	19,6	40,0																																																																																																																																																																																																																																																																																																																																																																																																																																																																																																																										
	8,0	656	2,9	177,22	14,0	23,8	19,7	40,0																																																																																																																																																																																																																																																																																																																																																																																																																																																																																																																										
	3,3	1487	0,8	433,49	4,0	12,0	8,9	18,3				SK 42/12 - 80 SH/4	64	C76 C90																																																																																																																																																																																																																																																																																																																																																																																																																																																																																																																				
	3,4	1558	0,8	421,11	3,3	12,0	8,6	17,9	SK 43 - 80 SH/4	69	C77																																																																																																																																																																																																																																																																																																																																																																																																																																																																																																																							
	3,9	1330	1,0	359,59	5,2	12,0	9,5	17,7																																																																																																																																																																																																																																																																																																																																																																																																																																																																																																																										
	4,8	1105	1,0	298,80	6,4	12,0	10,2	17,4																																																																																																																																																																																																																																																																																																																																																																																																																																																																																																																										
	5,1	1030	1,2	278,51	6,7	12,0	10,4	17,4																																																																																																																																																																																																																																																																																																																																																																																																																																																																																																																										
	5,4	976	1,3	263,93	6,9	12,0	10,5	17,4																																																																																																																																																																																																																																																																																																																																																																																																																																																																																																																										
	6,1	856	1,3	231,43	7,3	12,0	10,8	17,0																																																																																																																																																																																																																																																																																																																																																																																																																																																																																																																										
	6,5	811	1,5	219,32	7,4	12,0	10,9	16,9																																																																																																																																																																																																																																																																																																																																																																																																																																																																																																																										
	6,9	756	1,7	204,42	7,5	12,0	10,9	16,9																																																																																																																																																																																																																																																																																																																																																																																																																																																																																																																										
	7,8	676	1,5	182,76	7,7	12,0	11,1	16,4																																																																																																																																																																																																																																																																																																																																																																																																																																																																																																																										
	8,4	628	1,9	169,86	7,8	12,0	11,1	16,3																																																																																																																																																																																																																																																																																																																																																																																																																																																																																																																										
	10	524	2,0	141,55	8,0	12,0	11,3	15,7																																																																																																																																																																																																																																																																																																																																																																																																																																																																																																																										
	11	479	2,6	129,38	8,1	12,0	11,3	15,6																																																																																																																																																																																																																																																																																																																																																																																																																																																																																																																										
	13	398	2,8	107,51	8,2	12,0	11,4	15,0																																																																																																																																																																																																																																																																																																																																																																																																																																																																																																																										
	15	351	3,5	94,96	8,2	12,0	11,4	14,7																																																																																																																																																																																																																																																																																																																																																																																																																																																																																																																										
	18	296	4,2	79,96	8,3	12,0	11,5	14,1																																																																																																																																																																																																																																																																																																																																																																																																																																																																																																																										
	6,6	739	0,8	215,56	5,6	9,0	8,6	18,7	SK 32/12 - 80 SH/4	53	C74 C90																																																																																																																																																																																																																																																																																																																																																																																																																																																																																																																							
	6,9	766	0,9	207,10	5,5	9,0	8,5	18,4	SK 33N - 80 SH/4	48	C75																																																																																																																																																																																																																																																																																																																																																																																																																																																																																																																							
	8,5	616	1,1	166,49	6,0	9,0	8,9	17,9																																																																																																																																																																																																																																																																																																																																																																																																																																																																																																																										
	11	496	1,3	134,02	6,3	9,0	9,1	17,1																																																																																																																																																																																																																																																																																																																																																																																																																																																																																																																										
	13	415	1,3	112,18	6,5	9,0	9,2	16,5																																																																																																																																																																																																																																																																																																																																																																																																																																																																																																																										
	16	326	1,6	88,18	6,7	9,0	9,3	15,7					17	301	1,7	81,27	6,7	9,0	9,3	15,6	SK 32 - 80 SH/4	39	C74		20	269	2,1	72,76	6,7	9,0	9,4	15,2		22	238	2,7	64,26	6,8	9,0	9,4	14,8		25	213	2,9	57,53	6,8	9,0	9,4	14,4		31	171	3,1	46,31	6,8	9,0	9,4	13,6																																																																																																																																																																																																																																																																																																																																																																																																																																																																							
	17	301	1,7	81,27	6,7	9,0	9,3	15,6	SK 32 - 80 SH/4	39	C74																																																																																																																																																																																																																																																																																																																																																																																																																																																																																																																							
	20	269	2,1	72,76	6,7	9,0	9,4	15,2																																																																																																																																																																																																																																																																																																																																																																																																																																																																																																																										
	22	238	2,7	64,26	6,8	9,0	9,4	14,8																																																																																																																																																																																																																																																																																																																																																																																																																																																																																																																										
	25	213	2,9	57,53	6,8	9,0	9,4	14,4																																																																																																																																																																																																																																																																																																																																																																																																																																																																																																																										
	31	171	3,1	46,31	6,8	9,0	9,4	13,6																																																																																																																																																																																																																																																																																																																																																																																																																																																																																																																										

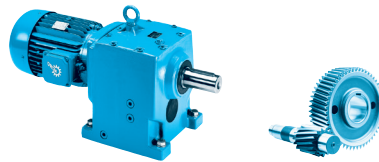
0,55 kW


IE2



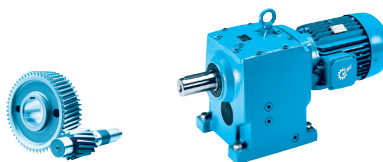
Helical Gear Units

P ₁ [kW]	n ₂ [min ⁻¹]	M ₂ [Nm]	f _B	i _{ges}	F _R [kN]	F _A [kN]	F _{R VL} [kN]	F _{A VL} [kN]	Type	kg	mm 			
0,55	12	402	0,8	117,25	4,1	5,6	6,6	11,8	SK 22/02 - 80 SH/4	40	C72 C90			
	14	372	0,9	100,60	4,3	5,6	6,7	11,3	SK 23 - 80 SH/4	36	C73			
	16	327	1,0	88,45	4,6	5,6	6,9	11,2						
	18	289	1,2	78,05	4,8	5,6	7,0	10,9						
	16	319	0,8	86,30	4,6	5,6	6,9	11,2	SK 22 - 80 SH/4	28	C72			
	20	258	1,0	69,81	4,9	5,6	7,1	10,7						
	26	204	1,6	55,28	5,1	5,6	7,3	10,3						
	31	170	1,7	45,90	5,2	5,6	7,3	9,9						
	33	158	2,1	42,82	5,3	5,6	7,4	9,8						
	40	131	2,5	35,55	5,3	5,6	7,4	9,3						
	48	108	2,7	29,31	5,0	5,6	7,4	8,9						
	57	91	2,7	24,73	4,8	5,6	7,5	8,5						
	26	199	0,9	53,84	2,0	4,0	4,7	8,1				SK 12 - 80 SH/4	19	C70
	30	177	1,0	47,87	2,6	4,0	4,8	8,0						
	33	159	1,0	43,09	2,7	4,0	4,8	7,8						
	37	142	1,3	38,31	3,2	4,0	4,9	7,6						
	40	130	1,1	35,07	3,2	4,0	4,9	7,5						
	46	115	1,4	31,19	3,3	4,0	4,9	7,3						
	49	108	1,2	29,15	3,3	4,0	5,0	7,2						
	55	96	1,4	25,92	3,2	4,0	5,0	7,0						
	67	79	2,1	21,28	3,1	4,0	5,0	6,8						
	76	70	2,3	18,79	3,0	4,0	5,1	6,6						
	85	62	2,5	16,73	2,9	4,0	5,1	6,5						
	106	50	3,0	13,39	2,7	4,0	5,1	6,1						
	133	40	3,4	10,70	2,6	4,0	5,1	5,8						
	147	36	3,8	9,65	2,5	4,0	5,1	5,6						
	166	32	4,1	8,56	2,4	4,0	5,1	5,4						
	42	124	0,8	33,42	1,6	3,3	3,0	5,6	SK 02 - 80 SH/4	17	C68			
	48	110	0,8	29,61	2,0	3,3	3,0	5,5						
	52	102	0,9	27,52	2,0	3,3	3,1	5,4						
	58	90	1,0	24,39	2,1	3,3	3,2	5,3						
	61	86	0,9	23,13	2,2	3,3	3,2	5,2						
	69	76	1,0	20,59	2,2	3,3	3,2	5,3						
	89	59	1,2	15,95	2,3	3,3	3,3	5,0						
	111	47	1,5	12,82	2,3	3,3	3,3	4,7						
	126	42	1,6	11,27	2,3	3,3	3,2	4,6						
	143	37	1,7	9,95	2,2	3,3	3,1	4,4						
	153	34	1,9	9,28	2,2	3,3	3,1	4,3						
	173	30	2,1	8,19	2,1	3,3	3,0	4,2						
	182	29	2,2	7,80	2,1	3,3	2,9	4,1						
	206	25	2,4	6,89	2,0	3,3	2,8	4,0						
	233	23	2,5	6,10	1,9	3,3	2,8	3,9						
	255	21	2,8	5,57	1,9	3,3	2,7	3,8						
	295	18	3,2	4,82	1,8	3,2	2,5	3,6						
	336	16	3,3	4,22	1,7	3,1	2,5	3,5						
	365	14	3,7	3,89	1,7	3,0	2,4	3,4						
	420	13	4,1	3,38	1,6	2,8	2,3	3,3						
	481	11	4,2	2,95	1,5	2,7	2,2	3,1						
	502	10	5,2	2,83	-	3,2	1,9	4,9	SK 11E - 80 SH/4	15	C63			
	612	9	6,5	2,32	-	2,9	1,9	4,5						
	696	8	7,7	2,04	-	2,8	1,9	4,2						
	785	7	8,2	1,81	-	2,6	2,0	4,0						



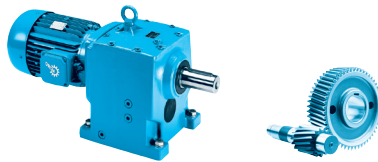
P ₁ [kW]	n ₂ [min ⁻¹]	M ₂ [Nm]	f _B	i _{ges}	F _R [kN]	F _A [kN]	F _{R VL} [kN]	F _{A VL} [kN]	Type	kg	mm 		
0,75	1,2	5520	1,4	1155,49	41,7	65	60,6	65	SK 83/32 - 80 LP/4	357	C85 C90		
	1,6	4300	1,9	900,50	43,2	65	61,7	65					
	2,0	3463	2,3	724,73	44	65	62,2	65					
	1,1	6001	0,8	1254,07	18,6	38,3	34	50	SK 73/22 - 80 LP/4	239	C83 C90		
	1,3	5258	1,0	1099,84	21,3	38	35,5	50					
	1,6	4247	1,2	888,16	24	37,2	37,2	50					
	1,9	3528	1,4	737,61	25,4	36,4	38,2	50					
	2,5	2714	1,8	566,77	26,7	34,8	39	50					
	3,1	2192	2,3	457,68	27,3	33,4	39,4	50					
	4,1	1661	3,0	345,90	27,7	31,5	39,7	50					
	1,7	4078	0,8	849,73	12,9	38,5	23,5	45	SK 63/22 - 80 LP/4	158	C81 C90		
	1,9	3487	0,9	727,45	15,3	37,8	24,9	45					
	2,6	2656	1,2	552,45	17,7	36,4	26,5	45					
	3,3	2061	1,6	430,19	18,8	34,8	27,2	45					
	3,8	1763	1,8	368,29	19,3	33,8	27,5	45					
	5,0	1356	2,4	282,73	19,8	32	27,9	45					
	6,3	1079	3,0	224,97	20	30,4	28,1	45					
	2,9	2356	0,8	491,28	10	23,8	17,1	40	SK 52/12 - 80 LP/4	94	C78 C90		
	4,0	1698	1,1	354,06	12,2	23,8	18,5	40					
5,0	1357	1,3	283,13	13	23,8	19	40						
6,4	1054	1,7	219,56	13,5	23,8	19,4	40						
7,3	933	2,0	194,62	13,7	23,8	19,5	40						
2,8	2527	0,8	498,82	9,2	23,8	16,6	40	SK 53 - 80 LP/4	103	C79			
3,6	1986	0,9	392,20	11,4	23,8	17,9	40						
3,8	1895	1,0	374,25	11,7	23,8	18,1	40						
4,8	1489	1,5	294,26	12,7	23,8	18,8	40						
5,8	1244	1,5	245,56	13,2	23,8	19,1	40						
6,0	1198	1,6	236,21	13,3	23,8	19,2	40						
7,6	941	1,9	185,72	13,7	23,8	19,5	40						
8,0	898	2,1	177,22	13,7	23,8	19,5	40						
10	706	3,2	139,34	13,9	23,8	19,6	40						
5,1	1410	0,9	278,51	4,7	12	9,2	15,5				SK 43 - 80 LP/4	70	C77
5,4	1336	0,9	263,93	5,2	12	9,5	15,5						
6,1	1171	1,0	231,43	6,1	12	10	15,4						
6,5	1110	1,1	219,32	6,4	12	10,2	15,4						
6,9	1035	1,2	204,42	6,7	12	10,4	15,4						
7,7	926	1,1	182,76	7,1	12	10,6	15						
8,3	860	1,4	169,86	7,2	12	10,8	15,1						
10	717	1,5	141,55	7,6	12	11	14,7						
11	654	1,9	129,38	7,8	12	11,1	14,7						
13	543	2,1	107,51	8	12	11,3	14,3						
15	480	2,6	94,96	8,1	12	11,3	14						
18	405	3,0	79,96	8,2	12	11,4	13,6						
20	355	3,6	70,12	8,2	12	11,4	13,2						
8,5	842	0,8	166,49	5,1	9	8,3	16,5	SK 33N - 80 LP/4	49	C75			
11	678	1,0	134,02	5,8	9	8,7	16						
13	568	1,0	112,18	6,2	9	9	15,5						
16	447	1,2	88,18	6,4	9	9,2	14,9						
17	411	1,3	81,27	6,5	9	9,2	15	SK 32 - 80 LP/4	40	C74			
19	368	1,5	72,76	6,6	9	9,3	14,6						
22	325	2,0	64,26	6,7	9	9,3	14,3						
25	291	2,1	57,53	6,7	9	9,4	13,9						
31	234	2,3	46,31	6,6	9	9,4	13,2						
37	196	2,3	38,76	6,3	9	9,4	12,7						
43	167	2,3	33,05	6	9	9,4	12,2						
46	154	4,1	30,43	5,9	9	9,4	12,1						
52	138	4,4	27,24	5,8	9	9,4	11,7						
61	117	5,4	23,12	5,5	9	9,4	11,3						
68	105	6,3	20,70	5,3	9	9,4	10,9						
76	94,4	6,7	18,67	5,2	9	9,4	10,6						
16	447	0,8	88,45	1	5,6	6,3	10,2				SK 23 - 80 LP/4	37	C73
18	395	0,9	78,05	2,4	5,6	6,6	10,1						
22	328	1,0	64,80	3,6	5,6	6,9	9,9						


**0,75 kW
1,10 kW**



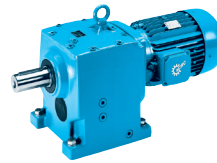
Helical Gear Units

P ₁ [kW]	n ₂ [min ⁻¹]	M ₂ [Nm]	f _B	i _{ges}	F _R [kN]	F _A [kN]	F _{R VL} [kN]	F _{A VL} [kN]	Type	kg	mm 			
0,75	26	280	1,1	55,28	4,8	5,6	7,1	9,7	SK 22 - 80 LP/4	29	C72			
	31	232	1,3	45,90	5	5,6	7,2	9,4						
	33	217	1,6	42,82	5,1	5,6	7,2	9,3						
	40	180	1,8	35,55	5,1	5,6	7,3	9						
	48	149	2,0	29,31	4,8	5,6	7,4	8,6						
	57	125	2,0	24,73	4,6	5,6	7,4	8,2						
	85	84,7	4,0	16,75	4,2	5,6	7,5	7,6						
	96	74,3	4,5	14,69	4,1	5,6	7,5	7,4						
	37	194	0,9	38,31	0,8	4	4,7	7,1				SK 12 - 80 LP/4	20	C70
	40	177	0,8	35,07	0,9	4	4,8	7						
	45	158	1,0	31,19	1,5	4	4,8	6,9						
	49	148	0,8	29,15	1,5	4	4,9	6,8						
	55	131	1,0	25,92	2	4	4,9	6,6						
	67	108	1,6	21,28	3	4	5	6,6						
	75	95,2	1,7	18,79	2,9	4	5	6,4						
	85	84,7	1,8	16,73	2,8	4	5	6,2						
	106	67,8	2,2	13,39	2,6	4	5,1	5,9						
	132	54,1	2,5	10,70	2,5	4	5,1	5,7						
	147	48,9	2,8	9,65	2,4	4	5,1	5,5						
	166	43,3	3,0	8,56	2,4	4	5,1	5,3						
180	39,7	3,3	7,85	2,3	4	5,1	5,2							
194	36,9	3,4	7,28	2,3	4	5,1	5,1							
217	33,1	3,8	6,53	2,2	3,9	5,1	5							
245	29,3	4,2	5,79	2,1	3,8	5,1	4,8							
89	80,7	0,9	15,95	2,2	3,3	3,2	4,6	SK 02 - 80 LP/4	18	C68				
110	64,8	1,1	12,82	2,2	3,3	3,2	4,4							
126	56,9	1,2	11,27	2,2	3,3	3,1	4,3							
142	50,3	1,3	9,95	2,1	3,3	3	4,2							
153	46,9	1,4	9,28	2,1	3,3	3	4,1							
173	41,5	1,5	8,19	2	3,3	2,9	4							
182	39,5	1,6	7,80	2	3,3	2,8	4							
205	34,9	1,7	6,89	1,9	3,3	2,7	3,8							
231	31,0	1,8	6,10	1,9	3,3	2,7	3,8							
254	28,2	2,0	5,57	1,8	3,2	2,6	3,7							
293	24,4	2,3	4,82	1,8	3,1	2,5	3,5							
334	21,5	2,4	4,22	1,7	3	2,4	3,4							
363	19,7	2,7	3,89	1,6	2,8	2,3	3,3							
417	17,2	3,0	3,38	1,6	2,7	2,2	3,2							
477	15,0	3,1	2,95	1,5	2,6	2,2	3,1							
499	14,3	3,8	2,83	-	3,1	1,9	4,8	SK 11E - 80 LP/4	16	C63				
610	11,7	4,8	2,32	-	2,8	1,9	4,4							
693	10,3	5,6	2,04	-	2,7	1,9	4,2							
783	9,1	6,0	1,81	-	2,6	1,9	4							
1,10	1,0	10380	1,9	1412,72	99,4	120	120	120	SK 103/52 - 90 SP/4	804	C89 C91			
	1,2	8429	2,4	1148,61	100,5	120	120	120						
	1,5	6934	2,9	943,57	101,1	120	120	120						
	1,7	6007	3,3	816,55	101,4	120	120	120						
	1,1	9543	1,3	1298,54	61,8	80	90	80	SK 93/42 - 90 SP/4	556	C87 C91			
	1,3	8014	1,5	1091,47	63,3	80	91	80						
	1,8	5964	2,0	813,46	64,8	80	92,1	80						
	1,9	5559	2,2	756,82	65,1	80	92,3	80						
	2,6	4025	3,0	548,76	65,9	80	92,8	80						
	1,0	10040	0,8	1368,62	31,8	65	54,3	65	SK 83/32 - 90 SP/4	362	C85 C90			
	1,2	8462	0,9	1155,49	36,2	65	57	65						
	1,6	6592	1,2	900,50	40,1	64,4	59,5	65						
	2,0	5308	1,5	724,73	42	62,2	60,8	65						
	2,7	3857	2,1	525,40	43,7	58,5	62	65	SK 83/42 - 90 SP/4	377	C85 C91			
	3,3	3217	2,5	437,84	44,2	56,3	62,4	65						
	3,8	2751	2,9	374,99	44,5	54,3	62,6	65						
	1,6	6511	0,8	888,16	16,4	31,8	32,8	50	SK 73/22 - 90 SP/4	244	C83 C90			
	1,9	5409	0,9	737,61	20,9	31,8	35,3	50						
	2,5	4161	1,2	566,77	24,2	31,3	37,3	50						
	3,1	3361	1,5	457,68	25,7	30,6	38,4	50						
4,1	2547	2,0	345,90	26,9	29,4	39,1	50							
5,1	2057	2,4	279,33	27,4	28,3	39,5	50							



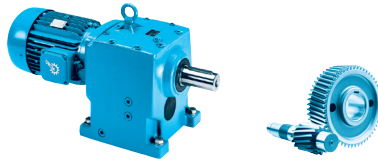
P ₁ [kW]	n ₂ [min ⁻¹]	M ₂ [Nm]	f _B	i _{ges}	F _R [kN]	F _A [kN]	F _{R VL} [kN]	F _{A VL} [kN]	Type	kg	mm 
1,10	2,6	4071	0,8	552,45	13	32,4	23,6	45	SK 63/22 - 90 SP/4	163	C81 C90
	3,3	3160	1,0	430,19	16,4	31,8	25,6	45			
	3,9	2702	1,2	368,29	17,5	31,1	26,4	45			
	5,1	2079	1,5	282,73	18,8	29,9	27,2	45			
	6,3	1654	1,9	224,97	19,4	28,7	27,6	45			
	3,8	2738	1,2	372,21	17,5	31,1	26,3	45	SK 63 - 90 SP/4	144	C81
	4,8	2210	1,4	300,34	18,6	30,2	27,1	45			
	5,4	1951	1,9	265,32	19	29,6	27,4	45			
	6,7	1575	2,3	214,10	19,5	28,4	27,7	45			
	4,9	2161	1,0	294,26	10,8	23,8	17,5	40	SK 53 - 90 SP/4	108	C79
	5,8	1805	1,0	245,56	11,9	23,8	18,3	40			
	6,0	1738	1,1	236,21	12,1	23,8	18,4	40			
	7,7	1366	1,3	185,72	13	23,8	19	40			
	8,1	1303	1,5	177,22	13,1	23,8	19,1	40			
	10	1024	2,2	139,34	13,6	23,8	19,4	40			
14	777	2,9	105,87	13,9	23,8	19,6	40				
15	701	3,2	95,49	13,9	23,8	19,6	40				
16	638	2,7	86,92	14	23,8	19,7	40	SK 52 - 90 SP/4	89	C78	
18	577	2,8	78,56	14	23,8	19,7	40				
20	525	3,0	71,39	14,1	23,8	19,8	40				
7,0	1502	0,9	204,42	4	12	8,9	12,9	SK 43 - 90 SP/4	75	C77	
7,8	1343	0,8	182,76	5,2	12	9,5	12,7				
8,4	1247	0,9	169,86	5,7	12	9,8	13				
10	1040	1,0	141,55	6,7	12	10,4	12,9				
11	950	1,3	129,38	7	12	10,6	13,1				
13	789	1,4	107,51	7,4	12	10,9	12,9				
15	697	1,8	94,96	7,7	12	11,1	12,8				
14	772	1,1	105,08	7,5	12	10,9	13,1	SK 42 - 90 SP/4	60	C76	
17	625	1,3	85,10	7,8	12	11,2	12,7				
19	550	2,0	74,87	8	12	11,2	12,6				
24	445	2,3	60,66	8,1	12	11,4	12,1				
16	649	0,8	88,18	5,9	9	8,8	13,6	SK 33N - 90 SP/4	54	C75	
18	597	0,9	81,27	6,1	9	8,9	13,8	SK 32 - 90 SP/4	45	C74	
20	534	1,0	72,76	6,2	9	9	13,6				
22	472	1,4	64,26	6,4	9	9,1	13,4				
25	422	1,5	57,53	6,5	9	9,2	13,1				
31	340	2,0	46,25	6,2	9	9,3	12,6				
37	285	1,6	38,76	5,9	9	9,4	12,1				
38	273	2,2	37,23	5,9	9	9,4	12				
43	242	1,6	33,05	5,7	9	9,4	11,6				
46	229	2,2	31,16	5,7	9	9,4	11,5				
47	224	2,9	30,43	5,7	9	9,4	11,6				
52	200	3,0	27,24	5,5	9	9,4	11,3				
54	195	2,2	26,57	5,4	9	9,4	11,1				
62	170	3,7	23,12	5,3	9	9,4	10,9				
69	152	4,3	20,70	5,1	9	9,4	10,6				
77	137	4,6	18,67	5	9	9,4	10,3				
26	406	0,8	55,28	0,1	5,6	6,6	8,7	SK 22 - 90 SP/4	34	C72	
31	337	0,9	45,90	1,3	5,6	6,9	8,5				
33	314	1,1	42,82	2,3	5,6	6,9	8,5				
40	261	1,3	35,55	3,2	5,6	7,1	8,3				
41	255	1,3	34,69	3,7	5,6	7,1	8,3				
49	216	1,4	29,31	3,9	5,6	7,2	8				
50	212	1,8	28,80	4,3	5,6	7,3	8,1				
58	181	1,4	24,73	4,3	5,6	7,3	7,7				
60	175	1,9	23,74	4,3	5,6	7,3	7,7				
72	147	1,9	20,03	4,1	5,6	7,4	7,5				
85	123	2,8	16,75	4	5,6	7,4	7,3				
97	108	3,1	14,69	3,9	5,6	7,4	7,1				
117	89,5	3,7	12,20	3,7	5,6	7,5	6,8				
131	80,1	4,0	10,89	3,6	5,6	7,5	6,6				


1,10 kW
1,50 kW



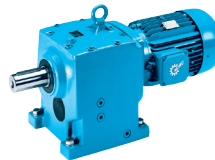
Helical Gear Units

P ₁ [kW]	n ₂ [min ⁻¹]	M ₂ [Nm]	f _B	i _{ges}	F _R [kN]	F _A [kN]	F _{R VL} [kN]	F _{A VL} [kN]	Type	kg	mm 				
1,10	67	156	1,1	21,28	1	4	4,8	6,1	SK 12 - 90 SP/4	25	C70				
	76	138	1,2	18,79	1,5	4	4,9	6							
	85	123	1,3	16,73	1,9	4	4,9	5,8							
	107	98,4	1,5	13,39	2,3	4	5	5,6							
	134	78,5	1,7	10,70	2,4	4	5	5,4							
	148	70,9	1,9	9,65	2,3	4	5	5,3							
	167	62,8	2,1	8,56	2,2	4	5,1	5,1							
	182	57,7	2,3	7,85	2,2	3,9	5,1	5							
	196	53,5	2,3	7,28	2,2	3,8	5,1	4,9							
	219	48,0	2,6	6,53	2,1	3,7	5,1	4,8							
	247	42,5	2,9	5,79	2	3,5	5,1	4,7							
	290	36,2	3,2	4,93	1,9	3,4	5,1	4,5							
	318	33,0	3,6	4,49	1,9	3,2	5,1	4,3							
	332	31,6	3,5	4,32	1,9	3,2	5,1	4,3							
	360	29,2	3,9	3,98	1,8	3,1	5,1	4,2							
	127	82,6	0,8	11,27	1,3	3,3	2,8	3,9	SK 02 - 90 SP/4	23	C68				
	144	73,0	0,9	9,95	1,6	3,3	2,8	3,8							
	154	68,1	1,0	9,28	1,6	3,3	2,7	3,8							
	174	60,2	1,0	8,19	1,8	3,3	2,7	3,7							
	183	57,3	1,1	7,80	1,8	3,2	2,6	3,7							
	208	50,6	1,2	6,89	1,8	3,1	2,5	3,6							
	234	44,9	1,3	6,10	1,8	3,1	2,5	3,5							
	257	40,9	1,4	5,57	1,7	3	2,5	3,4							
	297	35,4	1,6	4,82	1,7	2,8	2,3	3,3							
	337	31,1	1,7	4,22	1,6	2,8	2,3	3,2							
	367	28,6	1,9	3,89	1,6	2,7	2,2	3,1							
	421	24,9	2,0	3,38	1,5	2,5	2,2	3							
	482	21,8	2,1	2,95	1,5	2,4	2,1	2,9							
		505	20,8	2,6	2,83	-	2,9	1,8				4,6	SK 11E - 90 SP/4	21	C63
		617	17,0	3,3	2,32	-	2,7	1,8				4,3			
700		15,0	3,9	2,04	-	2,6	1,9	4,1							
791		13,3	4,1	1,81	-	2,4	1,9	3,9							
1,50	1,0	14310	1,4	1412,72	96,6	120	120	120	SK 103/52 - 90 LP/4	806	C89 C91				
	1,2	11620	1,7	1148,61	98,6	120	120	120							
	1,5	9556	2,1	943,57	99,9	120	120	120							
	1,7	8279	2,4	816,55	100,5	120	120	120							
	2,2	6505	3,1	642,31	101,2	120	120	120							
		1,1	13150	0,9	1298,54	56,8	80	86,6	80	SK 93/42 - 90 LP/4	558	C87 C91			
		1,3	11040	1,1	1091,47	59,9	80	88,7	80						
		1,7	8219	1,5	813,46	63	80	90,8	80						
		1,9	7661	1,6	756,82	63,6	80	91,2	80						
		2,6	5546	2,2	548,76	65,1	80	92,3	80						
		3,1	4625	2,6	457,30	65,6	80	92,7	80						
		1,6	9085	0,9	900,50	34,5	59,5	55,9	65						
		2,0	7315	1,1	724,73	38,7	58,3	58,6	65	SK 83/32 - 90 LP/4	364	C85 C90			
		2,7	5316	1,5	525,40	42	55,7	60,8	65						
		3,2	4433	1,8	437,84	43,1	54	61,6	65	SK 83/42 - 90 LP/4	379	C85 C91			
3,8		3791	2,1	374,99	43,7	52,5	62	65							
5,1		2794	2,9	275,58	44,5	49,2	62,6	65							
6,0		2389	3,3	235,92	44,8	47,5	62,8	65							
2,5		5734	0,9	566,77	19,7	27,9	34,6	50							
	3,1	4631	1,1	457,68	23,1	27,9	36,6	50	SK 73/22 - 90 LP/4	246	C73 C90				
	4,1	3510	1,4	345,90	25,5	27,3	38,2	50							
	5,1	2835	1,8	279,33	26,5	26,7	38,9	50							
	6,3	2292	2,2	226,73	27,2	25,9	39,3	50	SK 73/32 - 90 LP/4	257	C73 C90				
	8,3	1732	2,9	171,23	27,7	24,7	39,7	50							
	3,8	3724	0,9	368,29	14,4	28,4	24,4	45	SK 63/22 - 90 LP/4	165	C81 C90				
	5,0	2865	1,1	282,73	17,1	27,8	26,1	45							
	6,3	2280	1,4	224,97	18,4	27,1	27	45							
	8,2	1754	1,8	172,85	19,3	26	27,6	45							
	9,2	1554	2,1	153,31	19,5	25,4	27,7	45							



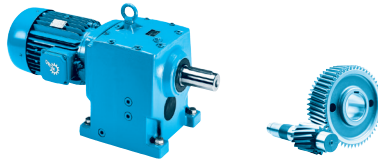
P ₁ [kW]	n ₂ [min ⁻¹]	M ₂ [Nm]	f _B	i _{ges}	F _R [kN]	F _A [kN]	F _{R VL} [kN]	F _{A VL} [kN]	Type	kg	mm 		
1,50	3,8	3773	0,8	372,21	14,2	28,4	24,3	45	SK 63 - 90 LP/4	146	C81		
	4,7	3046	1,1	300,34	16,7	28	25,8	45					
	5,3	2688	1,4	265,32	17,6	27,6	26,4	45					
	6,6	2170	1,7	214,10	18,6	26,9	27,1	45					
	6,0	2395	0,8	236,21	9,8	23,8	17	40	SK 53 - 90 LP/4	110	C79		
	7,6	1882	1,0	185,72	11,7	23,8	18,1	40					
	8,0	1796	1,1	177,22	12	23,8	18,3	40					
	10	1411	1,6	139,34	12,9	23,8	18,9	40					
	13	1071	2,1	105,87	13,5	23,8	19,3	40					
	15	966	2,3	95,49	13,6	23,8	19,4	40					
	16	879	2,0	86,92	13,8	23,8	19,5	40	SK 52 - 90 LP/4	91	C78		
	18	795	2,0	78,56	13,8	23,8	19,6	40					
20	723	2,2	71,39	13,9	23,8	19,6	40						
39	364	3,8	36,03	14,2	23,8	19,8	40						
43	329	3,8	32,56	14,2	23,8	19,8	39,9						
10	1422	0,8	140,40	4,6	12	9,2	11	SK 42/12 - 90 LP/4	72	C76 C90			
11	1309	0,9	129,38	5,3	12	9,6	11,3	SK 43 - 90 LP/4	77	C77			
13	1087	1,0	107,51	6,4	12	10,2	11,4						
15	961	1,3	94,96	6,9	12	10,6	11,5						
18	810	1,5	79,96	7,4	12	10,9	11,5						
20	710	1,8	70,12	7,6	12	11	11,4						
24	589	2,0	58,27	7,9	12	11,2	11,1						
29	491	2,1	48,56	8,1	12	11,3	10,8						
35	414	2,5	40,98	8,1	12	11,4	10,7						
13	1064	0,8	105,08	6,6	12	10,3	11,7	SK 42 - 90 LP/4	62	C76			
17	861	0,9	85,10	7,2	12	10,8	11,6						
19	758	1,4	74,87	7,5	12	10,9	11,6						
23	614	1,6	60,66	7,8	12	11,2	11,3						
46	308	3,5	30,46	7,6	12	11,5	10,2						
57	250	3,6	24,67	7,2	12	11,5	9,7						
22	650	1,0	64,26	5,9	9	8,8	12,4	SK 32 - 90 LP/4	47	C74			
25	582	1,1	57,53	6	9	8,9	12,2						
31	468	1,4	46,25	5,8	9	9,1	11,9						
37	392	1,1	38,76	5,6	9	9,2	11,4						
38	377	1,6	37,23	5,6	9	9,3	11,4						
43	334	1,1	33,05	5,4	9	9,3	11						
45	315	1,6	31,16	5,4	9	9,3	11						
46	308	2,1	30,43	5,4	9	9,3	11,1						
52	276	2,2	27,24	5,3	9	9,4	10,9						
53	269	1,6	26,57	5,2	9	9,4	10,6						
61	234	2,7	23,12	5,1	9	9,4	10,6						
68	209	3,1	20,70	5	9	9,4	10,3						
76	189	3,3	18,67	4,9	9	9,4	10,1						
33	433	0,8	42,82	0,1	5,6	6,4	7,7				SK 22 - 90 LP/4	36	C72
40	360	0,9	35,55	0,2	5,6	6,8	7,5						
41	351	1,0	34,69	0,3	5,6	6,8	7,6						
48	297	1,0	29,31	0,4	5,6	7	7,4						
49	292	1,3	28,80	1	5,6	7	7,4						
57	250	1,0	24,73	1,3	5,6	7,2	7,2						
60	241	1,4	23,74	2	5,6	7,2	7,2						
71	202	1,4	20,03	2,6	5,6	7,3	7						
85	169	2,0	16,75	3,8	5,6	7,3	7						
96	149	2,3	14,69	3,7	5,6	7,4	6,8						
116	123	2,7	12,20	3,6	5,6	7,4	6,6						
130	110	2,9	10,89	3,5	5,6	7,4	6,4						
167	85,7	3,0	8,48	3,2	5,5	7,5	6						
187	76,7	3,2	7,57	3,1	5,3	7,5	5,9						
206	69,4	3,7	6,86	3,1	5,2	7,5	5,8						
217	65,9	3,5	6,51	3	5,1	7,5	5,7						


1,50 kW
2,20 kW



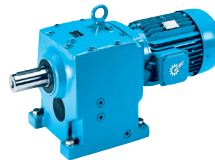
Helical Gear Units

P ₁ [kW]	n ₂ [min ⁻¹]	M ₂ [Nm]	f _B	i _{ges}	F _R [kN]	F _A [kN]	F _{R VL} [kN]	F _{A VL} [kN]	Type	kg	mm 				
1,50	67	215	0,8	21,28	0,1	0,3	4,6	5,5	SK 12 - 90 LP/4	27	C70				
	75	190	0,8	18,79	0,3	0,9	4,7	5,5							
	85	169	0,9	16,73	0,5	1,5	4,8	5,4							
	106	136	1,1	13,39	0,6	3,9	4,9	5,2							
	132	108	1,2	10,70	1,5	3,9	5	5,1							
	147	97,7	1,4	9,65	1,6	3,8	5	5							
	166	86,5	1,5	8,56	1,9	3,7	5	4,9							
	180	79,5	1,6	7,85	1,9	3,5	5	4,8							
	194	73,8	1,7	7,28	2,1	3,5	5	4,8							
	217	66,1	1,9	6,53	2	3,4	5,1	4,6							
	245	58,6	2,1	5,79	1,9	3,3	5,1	4,5							
	287	49,9	2,3	4,93	1,9	3,1	5,1	4,3							
	315	45,5	2,6	4,49	1,8	3	5,1	4,2							
	328	43,6	2,6	4,32	1,8	3	5,1	4,2							
	356	40,3	2,8	3,98	1,8	2,9	5,1	4,1							
	417	34,3	3,2	3,39	1,7	2,8	5,1	4							
	478	30,0	3,5	2,96	1,6	2,7	5,1	3,8							
	173	83,0	0,8	8,19	0,5	2,9	2,4	3,4	SK 02 - 90 LP/4	25	C68				
	182	78,9	0,8	7,80	0,5	2,8	2,4	3,3							
	205	69,8	0,9	6,89	0,8	2,8	2,4	3,3							
	231	61,9	0,9	6,10	1,4	2,8	2,4	3,3							
	254	56,4	1,0	5,57	1,3	2,7	2,3	3,2							
	293	48,8	1,2	4,82	1,2	2,5	2,2	3							
	334	42,9	1,2	4,22	1,5	2,5	2,2	3							
	363	39,4	1,3	3,89	1,5	2,4	2,1	3							
	417	34,3	1,5	3,38	1,5	2,4	2	2,9							
	477	30,0	1,5	2,95	1,4	2,3	2	2,8							
		522	27,4	2,8	2,71	-	4,1	2,4				5,8	SK 21E - 90 LP/4	29	C64
		584	24,5	3,0	2,42	-	3,9	2,4				5,5			
		499	28,7	1,9	2,83	-	2,8	1,7				4,5	SK 11E - 90 LP/4	23	C63
610		23,5	2,4	2,32	-	2,6	1,7	4,2							
693		20,7	2,8	2,04	-	2,5	1,8	4							
783		18,3	3,0	1,81	-	2,3	1,8	3,8							
2,20	1,0	20270	1,0	1412,72	90	120	117,9	120	SK 103/52 - 100 LP/4	817	C89 C91				
	1,3	16460	1,2	1148,61	94,4	120	120	120							
	1,6	13540	1,5	943,57	97,1	120	120	120							
	1,8	11730	1,7	816,55	98,5	120	120	120							
	2,3	9215	2,2	642,31	100	120	120	120							
	3,1	6714	3,0	467,81	101,1	120	120	120							
	4,3	4892	4,1	340,13	101,8	120	120	120							
	1,3	15650	0,8	1091,47	51,6	80	83,3	80	SK 93/42 - 100 LP/4	569	C87 C91				
	1,8	11640	1,0	813,46	58,8	80	88	80							
	1,9	10850	1,1	756,82	60	80	88,7	80							
	2,7	7857	1,6	548,76	63,3	80	91	80							
	3,2	6552	1,9	457,30	64,4	80	91,8	80							
	4,4	4774	2,6	333,02	65,5	80	92,6	80							
5,1	4130	3,0	287,83	65,8	79,8	92,8	80								
	2,0	10360	0,8	724,73	30	51,1	53,2	65	SK 83/32 - 100 LP/4	375	C85 C90				
	2,8	7530	1,1	525,40	38,1	50,5	58,2	65	SK 83/42 - 100 LP/4	390	C85 C91				
	3,3	6280	1,3	437,84	40,5	49,6	59,8	65							
	3,9	5370	1,5	374,99	41,8	48,6	60,7	65							
	5,3	3958	2,0	275,58	43,5	46,3	61,9	65							
	6,2	3385	2,4	235,92	44	45	62,2	65							
	6,8	3105	2,9	216,61	44,2	44,3	62,4	65	SK 83 - 100 LP/4	345	C85				
	11	1960	3,8	136,78	45	40,1	62,9	65							
	3,2	6561	0,8	457,68	15,6	23	32,4	50	SK 73/22 - 100 LP/4	257	C73 C90				
	4,2	4973	1,0	345,90	22	23,6	36	50							
	5,2	4016	1,2	279,33	24,4	23,7	37,5	50							
	6,5	3246	1,5	226,73	25,8	23,4	38,4	50	SK 73/32 - 100 LP/4	268	C73 C90				
	8,6	2454	2,0	171,23	26,9	22,8	39,2	50							



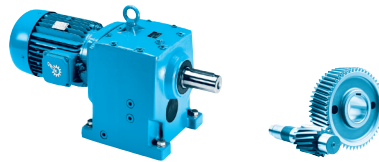
P ₁ [kW]	n ₂ [min ⁻¹]	M ₂ [Nm]	f _B	i _{ges}	F _R [kN]	F _A [kN]	F _{R VL} [kN]	F _{A VL} [kN]	Type	kg	mm 		
2,20	7,1	2948	1,8	205,61	26,3	23,2	38,7	50	SK 73 - 100 LP/4	238	C73		
	8,8	2381	2,4	166,03	27	22,7	39,2	50					
	12	1784	2,8	124,41	27,6	21,7	39,7	50					
	15	1441	2,8	100,46	27,9	20,9	39,8	50					
	16	1310	4,1	91,38	28	20,5	39,9	50					
	5,2	4058	0,8	282,73	12,7	24,1	23,4	45	SK 63/22 - 100 LP/4	176	C71 C90		
	5,5	3808	1,0	265,32	13,9	24,2	24,1	45	SK 63 - 100 LP/4	157	C71		
	6,8	3075	1,2	214,10	16,5	24,1	25,7	45					
	8,1	2594	1,4	180,57	17,7	23,8	26,5	45					
	10	2094	1,8	145,71	18,7	23,3	27,2	45					
	14	1550	2,4	107,89	19,5	22,2	27,7	45					
	17	1251	2,6	87,06	19,8	21,4	28	45					
	19	1111	3,3	77,46	20	21	28	44,8					
	8,3	2545	0,8	177,22	0	23,8	16,4	40	SK 53 - 100 LP/4	121	C79		
	11	1999	1,1	139,34	11,2	23,8	17,8	40					
	14	1517	1,5	105,87	12,6	23,8	18,7	40					
	15	1368	1,6	95,49	12,9	23,8	19	40					
	18	1143	1,6	79,69	13,4	23,8	19,2	40					
	22	936	2,1	65,35	13,7	23,8	19,5	40					
	17	1246	1,4	86,92	13,2	23,8	19,1	40	SK 52 - 100 LP/4	102	C78		
19	1126	1,4	78,56	13,4	23,8	19,2	40						
20	1025	1,5	71,39	13,5	23,8	19,4	40						
25	853	2,2	59,54	13,8	23,8	19,5	40						
27	771	2,5	53,81	13,9	23,8	19,6	40						
30	702	2,7	48,90	13,9	23,8	19,6	40						
15	1361	0,9	94,96	4,9	12	9,3	9,2	SK 43 - 100 LP/4	88	C77			
18	1147	1,1	79,96	6,1	12	10	9,6						
21	1005	1,3	70,12	6,7	12	10,4	9,7						
20	1074	1,0	74,87	6,4	12	10,2	9,9	SK 42 - 100 LP/4	73	C76			
24	870	1,2	60,66	7,2	12	10,7	9,9						
29	731	1,5	50,98	7,6	12	11	9,9						
35	592	2,0	41,29	7,5	12	11,2	9,7						
42	506	2,4	35,25	7,2	12	11,3	9,5						
48	437	2,5	30,46	7,1	12	11,4	9,5						
50	420	2,4	29,29	6,9	12	11,4	9,3						
59	354	2,5	24,67	6,7	12	11,4	9,1						
60	350	2,5	24,41	6,7	12	11,4	9						
67	313	3,5	21,87	6,6	12	11,5	9						
32	663	1,0	46,25	3,2	9	8,8	10,6				SK 32 - 100 LP/4	58	C74
39	534	1,1	37,23	4,4	9	9	10,2						
47	447	1,1	31,16	4,8	9	9,1	10						
48	437	1,5	30,43	4,9	9	9,2	10,2						
54	391	1,5	27,24	4,8	9	9,2	10,1						
55	380	1,1	26,57	4,7	9	9,2	9,8						
63	331	1,9	23,12	4,7	9	9,3	9,9						
71	296	2,2	20,70	4,6	9	9,3	9,7						
79	267	2,4	18,67	4,5	9	9,4	9,5						
88	239	2,2	16,66	4,4	8,6	9,4	9,2						
90	233	2,7	16,25	4,4	8,7	9,4	9,3						
98	215	2,4	15,03	4,3	8,4	9,4	9,1						
101	208	3,2	14,55	4,3	8,5	9,4	9,1						
125	168	4,2	11,71	4,1	7,9	9,4	8,6						
51	413	0,9	28,80	0,1	1,1	6,5	6,4	SK 22 - 100 LP/4	47	C72			
62	341	1,0	23,74	0,5	2,1	6,8	6,3						
73	287	1,0	20,03	0,7	4	7	6,2						
88	240	1,4	16,75	1	5,6	7,2	6,4						
100	210	1,6	14,69	1,8	5,6	7,2	6,3						
120	175	1,9	12,20	2,4	5,5	7,3	6,1						
134	156	2,0	10,89	2,9	5,4	7,4	6						
173	121	2,1	8,48	3	5	7,4	5,7						
193	109	2,3	7,57	3	4,8	7,4	5,6						
214	98,3	2,6	6,86	2,9	4,8	7,4	5,5						
225	93,4	2,4	6,51	2,9	4,7	7,4	5,4						
254	82,7	2,6	5,79	2,8	4,5	7,5	5,3						
283	74,3	2,1	5,18	2,7	4,2	7,5	5,1						
316	66,5	2,3	4,62	2,6	4,1	7,5	4,9						
368	57,2	2,4	3,97	2,5	3,9	7,5	4,8						


2,20 kW
3,00 kW



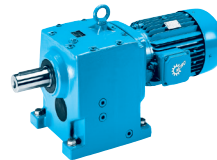
Helical Gear Units

P ₁ [kW]	n ₂ [min ⁻¹]	M ₂ [Nm]	f _B	i _{ges}	F _R [kN]	F _A [kN]	F _{R VL} [kN]	F _{A VL} [kN]	Type	kg	mm 				
2,20	109	192	0,8	13,39	0,1	0,8	4,7	4,6	SK 12 - 100 LP/4	38	C70				
	137	153	0,9	10,70	0,1	1,3	4,8	4,6							
	152	138	1,0	9,65	0,1	2,1	4,9	4,6							
	171	123	1,1	8,56	0,1	3	4,9	4,5							
	187	113	1,2	7,85	0,2	3	5	4,4							
	201	105	1,2	7,28	0,7	3	5	4,4							
	224	93,7	1,3	6,53	0,6	2,9	5	4,3							
	253	83,0	1,5	5,79	0,9	2,8	5	4,2							
	297	70,7	1,6	4,93	1,3	2,8	5	4,1							
	326	64,4	1,8	4,49	1,2	2,6	5,1	4							
	340	61,8	1,8	4,32	1,5	2,7	5,1	4							
	368	57,0	2,0	3,98	1,4	2,6	5,1	3,9							
	432	48,6	2,2	3,39	1,6	2,5	5,1	3,8							
	495	42,5	2,5	2,96	1,5	2,4	5,1	3,7							
		304	69,1	0,8	4,82	0,1	0,3	1,9				2,6	SK 02 - 100 LP/4	36	C68
345		60,8	0,9	4,22	0,5	2,2	2	2,7							
376		55,9	0,9	3,89	0,4	2	1,9	2,6							
432		48,7	1,0	3,38	0,7	2	1,9	2,6							
494		42,5	1,1	2,95	0,9	2	1,8	2,5							
	541	38,8	2,0	2,71	-	3,8	2,2	5,5	SK 21E - 100 LP/4	40	C64				
	605	34,7	2,1	2,42	-	3,7	2,3	5,3							
	703	29,9	2,3	2,08	-	3,5	2,3	5							
	517	40,6	1,3	2,83	-	2,5	1,5	4,2	SK 11E - 100 LP/4	34	C63				
	632	33,2	1,7	2,32	-	2,3	1,6	3,9							
	718	29,3	2,0	2,04	-	2,2	1,6	3,7							
3,00	1,3	22520	0,9	1148,61	86,4	120	115,4	120	SK 103/52 - 100 AP/4	817	C89 C91				
	1,5	18520	1,1	943,57	91,9	120	119,2	120							
	1,8	16050	1,2	816,55	94,7	120	120	120							
	2,3	12610	1,6	642,31	97,7	120	120	120							
	3,1	9187	2,2	467,81	99,9	120	120	120							
	4,3	6693	3,0	340,13	101,1	119,7	120	120							
	4,9	5819	3,4	296,69	101,4	115,9	120	120							
		1,8	15930	0,8	813,46	51,6	80	82,9				80	SK 93/42 - 100 AP/4	569	C87 C91
		1,9	14850	0,8	756,82	53	80	84,2				80			
		2,7	10750	1,1	548,76	59,9	80	88,7				80			
		3,2	8965	1,4	457,30	62,1	80	90,2				80			
		4,4	6532	1,9	333,02	64,3	79,4	91,7				80			
		5,1	5650	2,2	287,83	65	77,2	92,2				80			
		6,1	4723	2,6	239,74	65,5	74,3	92,6				80			
		2,8	10300	0,8	525,40	29,9	44,6	53,2				65	SK 83/42 - 100 AP/4	390	C85 C91
3,3		8593	0,9	437,84	35,3	44,8	56,4	65							
3,9		7348	1,1	374,99	38,3	44,5	58,3	65							
5,3		5416	1,5	275,58	41,7	43,3	60,6	65							
6,2		4631	1,7	235,92	42,7	42,6	61,3	65							
	6,7	4248	2,1	216,61	43,2	42	61,6	65	SK 83 - 100 AP/4	345	C85				
	11	2682	2,8	136,78	44,5	38,7	62,6	65							
	5,2	5496	0,9	279,33	20,1	20,3	34,8	50	SK 73/22 - 100 AP/4	257	C83 C90				
	6,4	4442	1,1	226,73	23,3	20,6	36,7	50							
	8,5	3357	1,5	171,23	25,6	20,7	38,2	50	SK 73/32 - 100 AP/4	268	C83 C90				
	10	2770	1,8	141,11	26,5	20,5	38,9	50							
	7,1	4034	1,3	205,61	24,2	20,8	37,4	50							
	8,8	3259	1,7	166,03	25,8	20,6	38,4	50	SK 73 - 100 AP/4	238	C83				
	12	2441	2,0	124,41	26,9	20,2	39,2	50							
	15	1971	2,0	100,46	27,4	19,7	39,5	50							
	16	1792	3,0	91,38	27,6	19,4	39,6	50							
	20	1468	3,6	74,87	27,9	18,8	39,8	50							



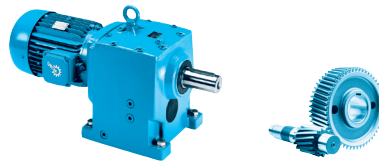
P ₁ [kW]	n ₂ [min ⁻¹]	M ₂ [Nm]	f _B	i _{ges}	F _R [kN]	F _A [kN]	F _{R VL} [kN]	F _{A VL} [kN]	Type	kg	mm 			
3,00	6,8	4207	0,9	214,10	11,7	20,9	22,9	45	SK 63 - 100 AP/4	157	C81			
	8,1	3549	1,0	180,57	14,8	21,2	24,6	45						
	10	2865	1,3	145,71	17	21,2	26	45						
	14	2121	1,7	107,89	18,6	20,7	27,1	45						
	17	1712	1,9	87,06	19,3	20,2	27,6	44,6						
	19	1520	2,4	77,46	19,5	19,9	27,7	43,6						
	23	1235	3,0	62,87	19,9	19,2	28	41,5						
	27	1056	3,5	53,82	20	18,7	28,1	40						
	29	997	3,7	50,73	20,1	18,5	28,1	39,5						
	34	853	4,3	43,43	20,2	17,9	28,2	38						
	10	2736	0,8	139,34	7,5	23,8	15,8	40				SK 53 - 100 AP/4	121	C79
	14	2075	1,1	105,87	10,9	23,8	17,6	40						
	15	1872	1,2	95,49	11,6	23,8	18,1	40						
18	1564	1,2	79,69	12,5	23,8	18,6	40							
22	1281	1,5	65,35	13,1	23,8	19	40							
25	1156	1,7	58,94	13,3	23,8	19,2	40							
17	1705	1,0	86,92	12,1	23,8	18,4	40	SK 52 - 100 AP/4	102	C78				
19	1541	1,0	78,56	12,5	23,8	18,7	40							
20	1402	1,1	71,39	12,8	23,8	18,9	40							
25	1168	1,6	59,54	13,3	23,8	19,2	40							
27	1055	1,8	53,81	13,5	23,8	19,3	40							
30	961	2,0	48,90	13,6	23,8	19,4	40							
38	755	2,2	38,45	13,9	23,8	19,6	40							
41	706	2,0	36,03	13,9	23,8	19,6	39,8							
45	630	2,2	32,09	14	23,8	19,7	38,4							
55	519	3,6	26,46	14,1	23,8	19,7	36,7							
61	469	4,1	23,92	14,1	23,8	19,8	35,7							
18	1570	0,8	79,96	0,2	3,2	8,4	7,3	SK 43 - 100 AP/4	88	C77				
21	1376	0,9	70,12	2,5	12	9,2	7,7							
25	1142	1,0	58,27	5,7	12	10	8							
24	1190	0,8	60,66	5,8	12	9,9	8,2	SK 42 - 100 AP/4	73	C76				
29	1001	1,1	50,98	6,7	12	10,4	8,6							
35	810	1,5	41,29	6,8	12	10,8	8,6							
41	692	1,8	35,25	6,6	12	11	8,5							
48	598	1,8	30,46	6,6	12	11,2	8,7							
50	575	1,8	29,29	6,4	12	11,2	8,4							
59	484	1,8	24,67	6,3	12	11,3	8,4							
60	479	1,8	24,41	6,2	11,7	11,3	8,3							
67	429	2,6	21,87	6,2	11,8	11,4	8,4							
83	347	3,4	17,71	6	11,2	11,4	8,1							
97	296	4,2	15,12	5,7	10,7	11,5	7,9							
48	597	1,1	30,43	2,4	8,2	8,9	9,3				SK 32 - 100 AP/4	58	C74	
54	535	1,1	27,24	3,1	8,1	9	9,2							
63	453	1,4	23,12	4,3	8,2	9,1	9,1							
71	406	1,6	20,70	4,2	8,1	9,2	9							
78	366	1,7	18,67	4,2	8	9,3	8,9							
88	327	1,6	16,66	4,1	7,7	9,3	8,7							
90	319	2,0	16,25	4,1	7,8	9,3	8,8							
97	295	1,7	15,03	4	7,6	9,3	8,6							
101	285	2,4	14,55	4,1	7,7	9,4	8,6							
125	229	3,1	11,71	3,8	7,2	9,4	8,2							
149	192	3,4	9,80	3,7	6,9	9,4	7,9							
175	164	3,6	8,36	3,6	6,6	9,4	7,7							
185	155	4,2	7,90	3,5	6,5	9,4	7,6							
207	138	3,2	7,05	3,4	6,1	9,4	7,3							
217	132	4,6	6,74	3,4	6,2	9,4	7,3							
257	112	5,4	5,70	3,2	5,9	9,4	7,1							
266	108	4,2	5,50	3,2	5,7	9,4	6,9							
276	104	6,2	5,28	3,2	5,8	9,4	7							
330	86,8	5,3	4,43	3	5,4	9,4	6,6							
390	73,5	6,2	3,75	2,9	5,1	9,4	6,3							
492	58,2	7,5	2,96	2,7	4,7	9,4	6							
87	329	1,0	16,75	0,1	0,7	6,9	5,7	SK 22 - 100 AP/4	47	C72				
100	288	1,2	14,69	0,2	1,5	7	5,7							
120	239	1,4	12,20	0,3	3,1	7,2	5,6							
134	214	1,5	10,89	0,4	4,6	7,2	5,5							
173	166	1,6	8,48	1,1	4,4	7,3	5,3							
193	149	1,7	7,57	1,6	4,3	7,4	5,2							


3,00 kW
4,00 kW



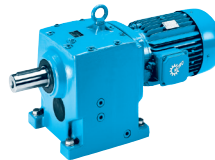
Helical Gear Units

P ₁ [kW]	n ₂ [min ⁻¹]	M ₂ [Nm]	f _B	i _{ges}	F _R [kN]	F _A [kN]	F _{R VL} [kN]	F _{A VL} [kN]	Type	kg	mm 				
3,00	213	135	1,9	6,86	2,2	4,3	7,4	5,2	SK 22 - 100 AP/4	47	C72				
	224	128	1,8	6,51	2,1	4,2	7,4	5,1							
	253	113	1,9	5,79	2,5	4,1	7,4	5							
	282	102	1,6	5,18	2,1	3,9	7,4	4,8							
	315	91,0	1,6	4,62	2,4	3,8	7,5	4,7							
	366	78,2	1,8	3,97	2,4	3,7	7,5	4,6							
	413	69,3	1,9	3,53	2,3	3,5	7,5	4,5							
	522	54,9	2,1	2,79	2,2	3,3	7,4	4,3							
	171	168	0,8	8,56	0,1	0,2	4,8	4,1							
	186	154	0,9	7,85	0,1	0,7	4,8	4							
	200	143	0,9	7,28	0,1	0,9	4,9	4							
	223	128	1,0	6,53	0,2	1,3	4,9	3,9							
	252	114	1,1	5,79	0,2	1,5	4,9	3,9							
	296	96,8	1,2	4,93	0,2	1,5	5	3,8							
325	88,1	1,3	4,49	0,3	1,7	5	3,7								
3,00	339	84,5	1,3	4,32	0,3	2,3	5	3,8	SK 12 - 100 AP/4	38	C70				
	367	78,0	1,5	3,98	0,2	2,2	5	3,6							
	430	66,6	1,6	3,39	0,6	2,2	5,1	3,6							
	493	58,1	1,8	2,96	0,9	2,2	5,1	3,5							
	567	50,6	3,7	2,58	-	4,3	3,4	6,2							
	703	40,8	4,0	2,08	-	4	3,4	5,7							
	3,00	539	53,1	1,4	2,71	-	3,6	1,9				5,3	SK 31E - 100 AP/4	45	C65
		603	47,5	1,5	2,42	-	3,5	2				5			
		701	40,9	1,7	2,08	-	3,3	2,1				4,8			
		791	36,2	1,8	1,85	-	3,1	2,2				4,6			
	3,00	515	55,6	1,0	2,83	-	2,1	1,2				3,9	SK 21E - 100 AP/4	40	C64
		630	45,5	1,2	2,32	-	2	1,4				3,6			
		715	40,1	1,4	2,04	-	2	1,5				3,5			
	4,00	1,5	25040	0,8	943,57	83,3	120	113,3				120	SK 103/52 - 112 MP/4	824	C89 C91
1,8		21690	0,9	816,55	88,5	120	116,8	120							
2,2		17040	1,2	642,31	94,1	120	120	120							
3,1		12420	1,6	467,81	98,1	120	120	120							
4,2		9048	2,2	340,13	100,2	115,9	120	120							
4,9		7867	2,5	296,69	100,7	112,4	120	120							
5,9		6490	3,1	244,77	101,3	107,7	120	120							
7,8		4901	4,1	184,62	101,8	100,7	120	120							
4,00		2,6	14530	0,8	548,76	54,3	79,8	85	80	SK 93/42 - 112 MP/4	576	C87 C91			
		3,2	12120	1,0	457,30	58,4	78,6	87,7	80						
		4,3	8830	1,4	333,02	62,5	75,3	90,4	80						
		5,0	7639	1,6	287,83	63,6	73,6	91,2	80						
		6,0	6384	1,9	239,74	64,6	71,3	91,9	80						
		7,9	4828	2,5	181,16	65,5	67,2	92,6	80						
4,00	3,8	9934	0,8	374,99	32	39,3	54,4	65	SK 83/42 - 112 MP/4	398	C85 C91				
	5,2	7321	1,1	275,58	38,8	39,5	58,6	65							
	6,1	6261	1,3	235,92	40,6	39,2	59,9	65							
	7,2	5334	1,5	200,37	42	38,7	60,8	65							
	9,7	3953	2,0	148,94	43,6	37,3	61,9	65							
4,00	6,7	5743	1,5	216,61	41,4	38,9	60,4	65	SK 83 - 112 MP/4	352	C85				
	11	3625	2,0	136,78	43,9	36,8	62,1	65							
4,00	6,4	6005	0,8	226,73	18,6	17,3	34	50	SK 73/32 - 112 MP/4	276	C83 C90				
	7,0	5454	1,0	205,61	20,7	17,7	35,2	50							
4,00	8,7	4405	1,3	166,03	23,6	18,1	37	50	SK 73 - 112 MP/4	246	C83				
	12	3299	1,5	124,41	25,8	18,3	38,4	50							
	14	2665	1,5	100,46	26,7	18,2	39	50							
	16	2423	2,2	91,38	27	18	39,2	50							
	19	1984	2,7	74,87	27,5	17,7	39,5	49,8							
	8,0	4797	0,8	180,57	8,4	17,8	21,4	45							
4,00	9,9	3873	1,0	145,71	13,8	18,4	24,1	45	SK 63 - 112 MP/4	164	C81				
	11	3522	1,1	132,54	15,2	18,6	24,9	45							
	13	2867	1,3	107,89	17,1	18,7	26,1	44,1							
	17	2315	1,4	87,06	18,4	18,6	26,9	42,5							
	19	2055	1,8	77,46	18,8	18,4	27,2	41,7							



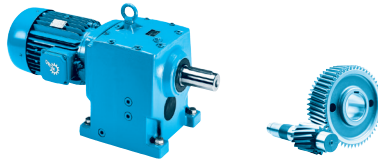
P ₁ [kW]	n ₂ [min ⁻¹]	M ₂ [Nm]	f _B	i _{ges}	F _R [kN]	F _A [kN]	F _{R VL} [kN]	F _{A VL} [kN]	Type	kg	mm 			
4,00	23	1670	2,2	62,87	19,4	18	27,6	40	SK 63 - 112 MP/4	164	C81			
	27	1428	2,6	53,82	19,7	17,6	27,8	38,8						
	28	1348	2,7	50,73	19,8	17,5	27,9	38,3						
	33	1153	3,2	43,43	20	17,1	28	37						
	40	959	3,8	36,11	20,1	16,5	28,1	35,4						
	47	820	4,4	30,91	20,2	16	28,2	34,2						
	30	1293	1,9	48,73	19,8	17,5	27,9	38				SK 62 - 112 MP/4	166	C80
	14	2806	0,8	105,87	7,5	23,8	15,7	40				SK 53 - 112 MP/4	128	C79
	15	2531	0,9	95,49	9,1	23,8	16,6	40						
	18	2114	0,9	79,69	10,9	23,8	17,6	40						
22	1732	1,1	65,35	12,1	23,8	18,4	40							
24	1563	1,2	58,94	12,6	23,8	18,7	40							
18	2083	0,8	78,56	11,1	23,8	17,7	40	SK 52 - 112 MP/4	110	C78				
20	1896	0,8	71,39	11,7	23,8	18,1	40							
24	1578	1,2	59,54	12,5	23,8	18,7	40							
27	1427	1,3	53,81	12,9	23,8	18,9	40							
29	1298	1,5	48,90	13,1	23,8	19,1	40							
36	1070	1,8	40,37	13,5	23,8	19,3	39,9							
37	1020	1,6	38,45	13,6	23,8	19,4	39,3							
39	974	2,0	36,69	13,6	23,8	19,4	39							
40	955	1,5	36,03	13,6	23,8	19,4	38,9							
44	863	1,5	32,56	13,8	23,8	19,5	37,9							
45	852	1,6	32,09	13,8	23,8	19,5	37,5							
50	765	2,6	28,85	13,9	23,8	19,6	36,6							
54	701	2,7	26,46	13,9	23,8	19,6	36							
60	634	3,0	23,92	14	23,8	19,7	35,1							
25	1544	0,8	58,27	0,2	1,7	8,7	6	SK 43 - 112 MP/4	96	C77				
30	1288	0,8	48,56	0,9	4,1	9,6	6,3							
35	1085	1,0	40,98	4,8	10	10,2	7,1							
28	1353	0,8	50,98	1,9	9,9	9,4	6,9	SK 42 - 112 MP/4	80	C76				
35	1095	1,1	41,29	5,1	10,2	10,2	7,2							
41	935	1,3	35,25	5,8	10,3	10,6	7,3							
47	808	1,3	30,46	5,9	10,7	10,9	7,7							
49	777	1,3	29,29	5,8	10,3	10,9	7,4							
56	687	1,8	25,88	5,8	10,4	11,1	7,6							
58	655	1,4	24,67	5,8	10,4	11,1	7,6							
59	648	1,3	24,41	5,6	10	11,1	7,4							
66	579	1,9	21,87	5,8	10,5	11,2	7,7							
67	570	2,0	21,50	5,7	10,1	11,2	7,5							
80	476	2,1	17,92	5,5	9,8	11,3	7,3							
81	469	2,5	17,71	5,6	10,1	11,3	7,5							
95	401	3,1	15,12	5,4	9,7	11,4	7,4							
100	381	3,0	14,38	5,4	9,7	11,4	7,4							
117	326	3,7	12,28	5,2	9,3	11,5	7,2							
47	808	0,8	30,43	0,1	0,7	8,4	8,1	SK 32 - 112 MP/4	66	C74				
53	723	0,8	27,24	0,3	2,1	8,6	8,1							
62	613	1,0	23,12	0,8	6,6	8,9	8,2							
70	548	1,2	20,70	1,6	6,6	9	8,2							
77	495	1,3	18,67	2,4	6,6	9,1	8,1							
87	441	1,2	16,66	2,6	6,5	9,2	8							
89	431	1,5	16,25	3,5	6,7	9,2	8,1							
96	398	1,3	15,03	3,3	6,5	9,2	7,9							
99	385	1,7	14,55	3,7	6,6	9,2	8							
123	310	2,3	11,71	3,6	6,4	9,3	7,7							
147	260	2,5	9,80	3,4	6,1	9,4	7,5							
173	221	2,7	8,36	3,3	5,9	9,4	7,3							
182	209	3,1	7,90	3,3	5,9	9,4	7,2							
204	187	2,4	7,05	3,2	5,5	9,4	6,9							
214	178	3,4	6,74	3,2	5,7	9,4	7							
253	151	4,0	5,70	3,1	5,5	9,4	6,8							
262	146	3,1	5,50	3	5,3	9,4	6,6							
272	140	4,6	5,28	3,1	5,4	9,4	6,7							
325	117	3,9	4,43	2,9	5	9,4	6,4							
384	99,4	4,6	3,75	2,8	4,8	9,4	6,1							
485	78,7	5,5	2,96	2,6	4,5	9,4	5,8							


4,00 kW
5,50 kW



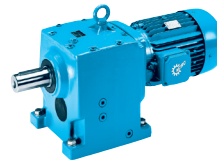
Helical Gear Units

P ₁ [kW]	n ₂ [min ⁻¹]	M ₂ [Nm]	f _B	i _{ges}	F _R [kN]	F _A [kN]	F _{R VL} [kN]	F _{A VL} [kN]	Type	kg	mm 				
4,00	86	444	0,8	16,75	0,1	0,5	6,3	4,8	SK 22 - 112 MP/4	54	C72				
	98	389	0,9	14,69	0,1	0,8	6,6	4,9							
	118	323	1,0	12,20	0,2	1,2	6,9	4,9							
	132	289	1,1	10,89	0,2	1,3	7	5							
	170	225	1,2	8,48	0,3	1,6	7,2	4,8							
	190	201	1,2	7,57	0,3	2,2	7,3	4,8							
	210	182	1,4	6,86	0,2	3,7	7,3	4,8							
	221	173	1,3	6,51	0,2	3,6	7,3	4,8							
	250	153	1,4	5,79	0,8	3,6	7,4	4,7							
	278	137	1,2	5,18	0,4	3,3	7,4	4,5							
	311	123	1,2	4,62	0,9	3,3	7,4	4,4							
	361	106	1,3	3,97	1,4	3,3	7,4	4,3							
	408	93,7	1,4	3,53	1,7	3,2	7,5	4,3							
	515	74,2	1,6	2,79	2,1	3	7,1	4,1							
	249	153	0,8	5,79	0,2	1,5	4,8	3,5	SK 12 - 112 MP/4	46	C70				
	292	131	0,9	4,93	0,2	1,5	4,9	3,5							
	321	119	1,0	4,49	0,3	1,7	4,9	3,3							
	334	114	1,0	4,32	0,5	1,8	5	3,5							
	362	105	1,1	3,98	0,5	1,8	5	3,3							
	425	90,0	1,2	3,39	0,5	1,8	5	3,3							
	486	78,6	1,3	2,96	0,5	1,8	5	3,3							
		559	68,4	2,7	2,58	-	4	3,2				6	SK 31E - 112 MP/4	52	C65
		693	55,1	3,0	2,08	-	3,8	3,3				5,5			
		532	71,8	1,1	2,71	-	3,3	1,6				4,9	SK 21E - 112 MP/4	48	C64
594		64,3	1,1	2,42	-	3,2	1,8	4,7							
691		55,3	1,2	2,08	-	3	1,9	4,5							
780		49,0	1,3	1,85	-	2,9	2	4,3							
	621	61,5	0,9	2,32	-	1,7	1,1	3,3	SK 11E - 112 MP/4	42	C63				
	705	54,2	1,1	2,04	-	1,7	1,2	3,2							
	797	48,0	1,1	1,81	-	1,6	1,3	3,1							
5,50	2,3	23040	0,9	642,31	86,4	120	115,4	120	SK 103/52 - 132 SP/4	844	C89 C91				
	3,1	16780	1,2	467,81	94,3	115,9	120	120							
	4,3	12230	1,6	340,13	98,2	110,1	120	120							
	4,9	10630	1,9	296,69	99,2	107,5	120	120							
	6,0	8771	2,3	244,77	100,3	103,4	120	120							
	7,1	7434	3,1	207,47	100,9	100	120	120	SK 103 - 132 SP/4	770	C89				
		4,4	11930	1,0	333,02	58,6	69,3	87,8	80	SK 93/42 - 132 SP/4	596	C87 C91			
		5,1	10320	1,2	287,83	60,8	68,3	89,3	80						
		6,1	8629	1,4	239,74	62,7	66,8	90,6	80						
		7,8	6740	2,1	187,89	64,3	64,3	91,7	80	SK 93 - 132 SP/4	551	C87			
		13	3917	3,0	109,14	65,9	57,9	92,9	80						
		16	3350	4,2	93,34	66,2	55,9	93	80						
		5,3	9895	0,8	275,58	32,1	33,9	54,5	65	SK 83/42 - 132 SP/4	417	C85 C91			
		6,2	8462	0,9	235,92	36,2	34,4	56,9	65						
7,3		7209	1,1	200,37	39	34,5	58,8	65							
9,8		5342	1,5	148,94	42	34,1	60,8	65							
12		4551	1,8	126,50	43	33,7	61,5	65							
		6,8	7761	1,1	216,61	37,8	34,5	58	65				SK 83 - 132 SP/4	372	C85
	8,9	5904	1,5	164,70	41,2	34,4	60,2	65							
	11	4900	1,5	136,78	42,5	33,9	61,2	65							
	14	3727	2,5	104,00	43,8	32,8	62	65							
	18	2891	3,1	80,62	44,4	31,7	62,5	65							
	21	2516	3,6	70,24	44,7	30,9	62,7	65							
8,6	6134	0,8	171,23	18	14,3	33,7	50	SK 73/32 - 132 SP/4	295	C83 C91					
	8,8	5954	0,9	166,03	18,8	14,4	34,1	50	SK 73 - 132 SP/4	265	C83				
	12	4465	1,3	124,57	23,5	15,5	36,9	50							
	15	3602	1,1	100,46	25,3	15,9	38	49,8							
	16	3274	1,6	91,38	25,8	16	38,4	49							
	20	2682	2,0	74,87	26,7	16	39	47,4							
	24	2166	2,6	60,46	27,3	15,8	39,4	45,5							
	28	1874	3,0	52,24	27,6	15,6	39,6	44,1							



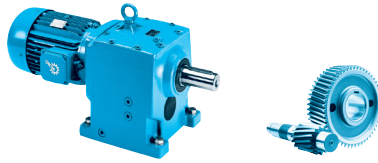
P ₁ [kW]	n ₂ [min ⁻¹]	M ₂ [Nm]	f _B	i _{ges}	F _R [kN]	F _A [kN]	F _{R VL} [kN]	F _{A VL} [kN]	Type	kg	mm 																																																																																																																																																																																																																																																																																																																																																																																																																																																								
5,50	11	4760	0,8	132,54	8,5	15	21,5	40,8	SK 63 - 132 SP/4	184	C81																																																																																																																																																																																																																																																																																																																																																																																																																																																								
	14	3843	1,0	106,95	13,9	15,8	24,1	40,3																																																																																																																																																																																																																																																																																																																																																																																																																																																											
	17	3128	1,0	87,06	16,4	16,2	25,6	39,5																																																																																																																																																																																																																																																																																																																																																																																																																																																											
	19	2778	1,3	77,46	17,3	16,3	26,2	39																																																																																																																																																																																																																																																																																																																																																																																																																																																											
	23	2257	1,6	62,87	18,5	16,3	27	37,8																																																																																																																																																																																																																																																																																																																																																																																																																																																											
	27	1930	1,9	53,82	19	16,2	27,4	36,8																																																																																																																																																																																																																																																																																																																																																																																																																																																											
	29	1822	2,0	50,73	19,2	16,1	27,5	36,5																																																																																																																																																																																																																																																																																																																																																																																																																																																											
	34	1558	2,4	43,43	19,5	15,9	27,7	35,4																																																																																																																																																																																																																																																																																																																																																																																																																																																											
	41	1296	2,8	36,11	19,8	15,5	27,9	34,2																																																																																																																																																																																																																																																																																																																																																																																																																																																											
	47	1108	3,2	30,91	20	15,1	28	33																																																																																																																																																																																																																																																																																																																																																																																																																																																											
	56	944	3,4	26,28	20,1	14,7	28,1	31,8																																																																																																																																																																																																																																																																																																																																																																																																																																																											
	30	1748	1,4	48,73	19,3	16,1	27,5	36,3				SK 62 - 132 SP/4	186	C80																																																																																																																																																																																																																																																																																																																																																																																																																																																					
	40	1329	2,3	37,05	19,8	15,6	27,9	34,4							25	2133	0,9	59,54	10,8	23,8	17,6	40	SK 52 - 132 SP/4	129	C78	27	1928	1,0	53,81	11,5	23,8	18	40	30	1755	1,1	48,90	12,1	23,8	18,4	39,9	36	1446	1,3	40,37	12,8	23,8	18,9	38,5	38	1379	1,2	38,45	12,9	23,8	19	37,7	40	1316	1,5	36,69	13,1	23,8	19	37,6	41	1291	1,1	36,03	13,1	23,8	19,1	37,6	45	1167	1,1	32,56	13,3	23,8	19,2	36,7	46	1152	1,2	32,09	13,4	23,8	19,2	36,1	51	1034	2,0	28,85	13,5	23,8	19,4	35,5	55	948	2,0	26,46	13,7	23,8	19,5	35	61	857	2,2	23,92	13,8	23,8	19,5	34,1	68	776	2,4	21,68	13,8	23,8	19,6	33,4	75	702	2,7	19,60	13,4	23,8	19,6	32,5	82	639	3,0	17,81	13	23,8	19,7	31,8	35	1480	0,8	41,29	0,9	0,5	8,9	5,1	SK 42 - 132 SP/4	100	C76	42	1264	1,0	35,25	1	0,6	9,7	5,5	48	1092	1,0	30,46	3	8	10,2	6,2	50	1050	1,0	29,29	2	7,5	10,3	5,9	57	928	1,3	25,88	4,4	8	10,6	6,2	59	885	1,0	24,67	5	8,2	10,7	6,4	60	875	1,0	24,41	4	7,7	10,7	6,1	67	783	1,4	21,87	5,1	8,5	10,9	6,6	68	771	1,5	21,50	4,9	8,2	10,9	6,4	82	643	1,6	17,92	4,8	8,1	11,1	6,4	83	634	1,9	17,71	5	8,4	11,1	6,6	97	542	2,3	15,12	4,9	8,3	11,3	6,6	102	515	2,2	14,38	4,9	8,4	11,3	6,6	119	440	2,7	12,28	4,8	8,2	11,4	6,6	144	365	3,2	10,20	4,7	7,9	11,4	6,4	172	305	3,5	8,50	4,5	7,5	11,5	6,2	202	261	4,1	7,28	4,3	7,3	11,5	6,1	63	828	0,8	23,12	0,1	0,7	8,3	6,9	SK 32 - 132 SP/4	85	C74	71	741	0,9	20,70	0,2	0,7	8,6	6,9	79	668	0,9	18,67	0,3	0,7	8,8	7	88	597	0,9	16,66	0,5	0,7	8,9	6,9	90	582	1,1	16,25	0,5	0,7	8,9	7,2	98	538	0,9	15,03	0,5	0,7	9	7	101	521	1,3	14,55	0,4	5,2	9	7,1	125	419	1,7	11,71	1,5	5,2	9,2	7	150	351	1,8	9,80	2,3	5,1	9,3	6,8	176	299	2,0	8,36	2,8	5	9,3	6,7	186	283	2,3	7,90	3	5,1	9,4	6,7	208	253	1,8	7,05	2,7	4,7	9,4	6,4	218	241	2,5	6,74	2,9	4,9	9,4	6,5	257	204	3,0	5,70	2,9	4,8	9,4	6,4	267	197	2,3	5,50	2,8	4,6	9,4	6,2	277	190	3,4	5,28	2,9	4,8	9,4	6,4	331	159	2,9	4,43	2,7	4,4	9,4	6	391	134	3,4	3,75	2,6	4,3	9,4	5,8	494	106	4,1	2,96	2,5	4,1	9,2	5,6	134	391	0,8	10,89	0,2	0,3	6,6	4,1	SK 22 - 132 SP/4	74	C72	173	303	0,9	8,48	0,2	0,5	7	4,1	193
25	2133	0,9	59,54	10,8	23,8	17,6	40	SK 52 - 132 SP/4	129	C78																																																																																																																																																																																																																																																																																																																																																																																																																																																									
27	1928	1,0	53,81	11,5	23,8	18	40																																																																																																																																																																																																																																																																																																																																																																																																																																																												
30	1755	1,1	48,90	12,1	23,8	18,4	39,9																																																																																																																																																																																																																																																																																																																																																																																																																																																												
36	1446	1,3	40,37	12,8	23,8	18,9	38,5																																																																																																																																																																																																																																																																																																																																																																																																																																																												
38	1379	1,2	38,45	12,9	23,8	19	37,7																																																																																																																																																																																																																																																																																																																																																																																																																																																												
40	1316	1,5	36,69	13,1	23,8	19	37,6																																																																																																																																																																																																																																																																																																																																																																																																																																																												
41	1291	1,1	36,03	13,1	23,8	19,1	37,6																																																																																																																																																																																																																																																																																																																																																																																																																																																												
45	1167	1,1	32,56	13,3	23,8	19,2	36,7																																																																																																																																																																																																																																																																																																																																																																																																																																																												
46	1152	1,2	32,09	13,4	23,8	19,2	36,1																																																																																																																																																																																																																																																																																																																																																																																																																																																												
51	1034	2,0	28,85	13,5	23,8	19,4	35,5																																																																																																																																																																																																																																																																																																																																																																																																																																																												
55	948	2,0	26,46	13,7	23,8	19,5	35																																																																																																																																																																																																																																																																																																																																																																																																																																																												
61	857	2,2	23,92	13,8	23,8	19,5	34,1																																																																																																																																																																																																																																																																																																																																																																																																																																																												
68	776	2,4	21,68	13,8	23,8	19,6	33,4																																																																																																																																																																																																																																																																																																																																																																																																																																																												
75	702	2,7	19,60	13,4	23,8	19,6	32,5																																																																																																																																																																																																																																																																																																																																																																																																																																																												
82	639	3,0	17,81	13	23,8	19,7	31,8																																																																																																																																																																																																																																																																																																																																																																																																																																																												
35	1480	0,8	41,29	0,9	0,5	8,9	5,1	SK 42 - 132 SP/4	100	C76																																																																																																																																																																																																																																																																																																																																																																																																																																																									
42	1264	1,0	35,25	1	0,6	9,7	5,5																																																																																																																																																																																																																																																																																																																																																																																																																																																												
48	1092	1,0	30,46	3	8	10,2	6,2																																																																																																																																																																																																																																																																																																																																																																																																																																																												
50	1050	1,0	29,29	2	7,5	10,3	5,9																																																																																																																																																																																																																																																																																																																																																																																																																																																												
57	928	1,3	25,88	4,4	8	10,6	6,2																																																																																																																																																																																																																																																																																																																																																																																																																																																												
59	885	1,0	24,67	5	8,2	10,7	6,4																																																																																																																																																																																																																																																																																																																																																																																																																																																												
60	875	1,0	24,41	4	7,7	10,7	6,1																																																																																																																																																																																																																																																																																																																																																																																																																																																												
67	783	1,4	21,87	5,1	8,5	10,9	6,6																																																																																																																																																																																																																																																																																																																																																																																																																																																												
68	771	1,5	21,50	4,9	8,2	10,9	6,4																																																																																																																																																																																																																																																																																																																																																																																																																																																												
82	643	1,6	17,92	4,8	8,1	11,1	6,4																																																																																																																																																																																																																																																																																																																																																																																																																																																												
83	634	1,9	17,71	5	8,4	11,1	6,6																																																																																																																																																																																																																																																																																																																																																																																																																																																												
97	542	2,3	15,12	4,9	8,3	11,3	6,6																																																																																																																																																																																																																																																																																																																																																																																																																																																												
102	515	2,2	14,38	4,9	8,4	11,3	6,6																																																																																																																																																																																																																																																																																																																																																																																																																																																												
119	440	2,7	12,28	4,8	8,2	11,4	6,6																																																																																																																																																																																																																																																																																																																																																																																																																																																												
144	365	3,2	10,20	4,7	7,9	11,4	6,4																																																																																																																																																																																																																																																																																																																																																																																																																																																												
172	305	3,5	8,50	4,5	7,5	11,5	6,2																																																																																																																																																																																																																																																																																																																																																																																																																																																												
202	261	4,1	7,28	4,3	7,3	11,5	6,1																																																																																																																																																																																																																																																																																																																																																																																																																																																												
63	828	0,8	23,12	0,1	0,7	8,3	6,9	SK 32 - 132 SP/4	85	C74																																																																																																																																																																																																																																																																																																																																																																																																																																																									
71	741	0,9	20,70	0,2	0,7	8,6	6,9																																																																																																																																																																																																																																																																																																																																																																																																																																																												
79	668	0,9	18,67	0,3	0,7	8,8	7																																																																																																																																																																																																																																																																																																																																																																																																																																																												
88	597	0,9	16,66	0,5	0,7	8,9	6,9																																																																																																																																																																																																																																																																																																																																																																																																																																																												
90	582	1,1	16,25	0,5	0,7	8,9	7,2																																																																																																																																																																																																																																																																																																																																																																																																																																																												
98	538	0,9	15,03	0,5	0,7	9	7																																																																																																																																																																																																																																																																																																																																																																																																																																																												
101	521	1,3	14,55	0,4	5,2	9	7,1																																																																																																																																																																																																																																																																																																																																																																																																																																																												
125	419	1,7	11,71	1,5	5,2	9,2	7																																																																																																																																																																																																																																																																																																																																																																																																																																																												
150	351	1,8	9,80	2,3	5,1	9,3	6,8																																																																																																																																																																																																																																																																																																																																																																																																																																																												
176	299	2,0	8,36	2,8	5	9,3	6,7																																																																																																																																																																																																																																																																																																																																																																																																																																																												
186	283	2,3	7,90	3	5,1	9,4	6,7																																																																																																																																																																																																																																																																																																																																																																																																																																																												
208	253	1,8	7,05	2,7	4,7	9,4	6,4																																																																																																																																																																																																																																																																																																																																																																																																																																																												
218	241	2,5	6,74	2,9	4,9	9,4	6,5																																																																																																																																																																																																																																																																																																																																																																																																																																																												
257	204	3,0	5,70	2,9	4,8	9,4	6,4																																																																																																																																																																																																																																																																																																																																																																																																																																																												
267	197	2,3	5,50	2,8	4,6	9,4	6,2																																																																																																																																																																																																																																																																																																																																																																																																																																																												
277	190	3,4	5,28	2,9	4,8	9,4	6,4																																																																																																																																																																																																																																																																																																																																																																																																																																																												
331	159	2,9	4,43	2,7	4,4	9,4	6																																																																																																																																																																																																																																																																																																																																																																																																																																																												
391	134	3,4	3,75	2,6	4,3	9,4	5,8																																																																																																																																																																																																																																																																																																																																																																																																																																																												
494	106	4,1	2,96	2,5	4,1	9,2	5,6																																																																																																																																																																																																																																																																																																																																																																																																																																																												
134	391	0,8	10,89	0,2	0,3	6,6	4,1	SK 22 - 132 SP/4	74	C72																																																																																																																																																																																																																																																																																																																																																																																																																																																									
173	303	0,9	8,48	0,2	0,5	7	4,1																																																																																																																																																																																																																																																																																																																																																																																																																																																												
193	271	0,9	7,57	0,3	0,9	7,1	4,2																																																																																																																																																																																																																																																																																																																																																																																																																																																												


5,50 kW
7,50 kW



Helical Gear Units

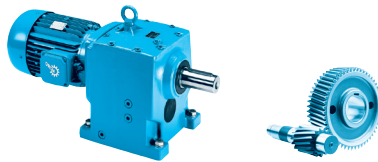
P ₁ [kW]	n ₂ [min ⁻¹]	M ₂ [Nm]	f _B	i _{ges}	F _R [kN]	F _A [kN]	F _{R VL} [kN]	F _{A VL} [kN]	Type	kg	mm
5,50	214	246	1,0	6,86	0,3	1,1	7,2	4,3	SK 22 - 132 SP/4	74	C72
	225	233	1,0	6,51	0,4	1,6	7,2	4,2			
	254	207	1,0	5,79	0,4	1,6	7,3	4,2			
	283	186	0,9	5,18	0,5	1,7	7,2	4			
	316	166	0,9	4,62	0,6	1,8	7,1	4			
	368	143	1,0	3,97	0,7	2,1	7	4			
	415	127	1,0	3,53	0,8	2,7	6,9	3,9			
524	100	1,1	2,79	0,9	2,7	6,7	3,8				
	569	92,4	2,0	2,58	-	3,7	2,9	5,6	SK 31E - 132 SP/4	72	C65
	705	74,5	2,2	2,08	-	3,5	3	5,2			
7,50	3,1	22970	0,9	467,81	86,7	106,3	115,5	120	SK 103/52 - 132 MP/4	851	C89 C91
	4,3	16730	1,2	340,13	94,4	103,1	120	120			
	4,9	14550	1,4	296,69	96,4	101,3	120	120			
6,0	12000	1,7	244,77	98,4	98,4	120	120				
	7,0	10170	2,3	207,47	99,5	95,6	120	120	SK 103 - 132 MP/4	777	C89
	5,1	14130	0,9	287,83	55,1	61,6	85,5	80	SK 93/42 - 132 MP/4	603	C87 C91
	6,1	11810	1,0	239,74	58,9	61,3	88	80			
	8,0	8928	1,4	181,16	62,4	59,6	90,4	80			
	9,1	7891	1,5	161,32	63,3	58,9	91,1	80	SK 93/52 - 132 MP/4	632	C87 C91
	11	6247	2,0	127,50	64,7	56,8	92	80			
	7,8	9222	1,5	187,89	62,1	60	90,2	80	SK 93 - 132 MP/4	558	C87
	13	5359	2,2	109,14	65,2	55,4	92,4	80			
	16	4583	3,1	93,34	65,6	53,7	92,7	80			
	7,3	9864	0,8	200,37	32,4	29,1	54,6	65	SK 83/42 - 132 MP/4	424	C85 C91
	8,9	8078	1,1	164,70	37,1	29,9	57,5	65	SK 83 - 132 MP/4	379	C85
	14	5100	1,8	104,00	42,3	30	61	65			
	18	3955	2,3	80,62	43,6	29,5	61,9	65			
	21	3443	2,6	70,24	44	29	62,2	65			
	24	3031	3,0	61,89	44,3	28,5	62,5	65			
	12	6110	0,9	124,57	18,2	11,8	33,8	46,2	SK 73 - 132 MP/4	272	C83
	15	4928	0,8	100,46	22,3	12,9	36,1	45,9			
	16	4480	1,2	91,38	23,4	13,2	36,9	45,4			
	20	3670	1,5	74,87	25,2	13,7	38	44,5			
	24	2964	1,9	60,46	26,3	14	38,8	43,2			
	28	2565	2,2	52,24	26,9	14	39,1	42,1			
	32	2240	2,4	45,66	27,2	13,9	39,4	41,1			
39	1848	2,7	37,63	27,6	13,8	39,6	39,6				
	33	2144	1,9	43,71	27,3	14,1	39,4	41,1	SK 72 - 132 MP/4	262	C82
	19	3801	1,0	77,46	14,1	13,5	24,2	35,6	SK 63 - 132 MP/4	191	C81
	23	3088	1,2	62,87	16,5	14	25,7	35			
	27	2641	1,4	53,82	17,7	14,2	26,5	34,5			
	29	2493	1,5	50,73	18	14,2	26,7	34,2			
	34	2132	1,7	43,43	18,7	14,3	27,1	33,5			
	40	1773	2,1	36,11	19,2	14,2	27,5	32,5			
	47	1516	2,4	30,91	19,6	14	27,8	31,6			
	55	1292	2,5	26,28	19,8	13,8	27,9	30,6			
	66	1078	3,0	21,98	20	13,4	28,1	29,4			
	70	1021	3,1	20,77	20,1	13,3	28,1	29,1			
		39	1819	1,7	37,05	19,2	14,3	27,5			
	36	1979	1,0	40,37	11,4	23,8	17,9	36,6	SK 52 - 132 MP/4	136	C78
	40	1801	1,1	36,69	11,9	23,8	18,3	35,9			
	41	1766	0,8	36,03	12	23,8	18,4	35,9			
	45	1596	0,8	32,56	12,5	23,8	18,6	35,2			




P ₁ [kW]	n ₂ [min ⁻¹]	M ₂ [Nm]	f _B	i _{ges}	F _R [kN]	F _A [kN]	F _{R VL} [kN]	F _{A VL} [kN]	Type	kg	mm 			
7,50	51	1415	1,4	28,85	12,9	23,8	18,9	34,1	SK 52 - 132 MP/4	136	C78			
	55	1297	1,5	26,46	13,1	23,8	19,1	33,8						
	61	1172	1,6	23,92	13,3	23,8	19,2	33						
	67	1062	1,8	21,68	13,1	23,8	19,3	32,4						
	75	960	2,0	19,60	12,8	23,8	19,4	31,6						
	82	874	2,2	17,81	12,6	23,8	19,5	30,9						
	104	686	2,8	14,00	11,8	23,3	19,6	29,1						
	108	660	2,8	13,45	11,7	23,3	19,7	28,9						
	56	1270	1,0	25,88	0,7	0,5	9,7	4,5				SK 42 - 132 MP/4	107	C76
	67	1072	1,0	21,87	0,8	6	10,3	5,2						
68	1055	1,1	21,50	1	6	10,3	4,9							
81	879	1,1	17,92	1,7	5,8	10,7	5,1							
83	868	1,4	17,71	3,4	6,3	10,7	5,5							
97	741	1,7	15,12	4,2	6,5	11	5,6							
102	705	1,6	14,38	4,3	6,7	11	5,7							
119	602	2,0	12,28	4,2	6,7	11,2	5,7							
143	500	2,3	10,20	4,2	6,7	11,3	5,7							
172	417	2,6	8,50	4,1	6,5	11,4	5,6							
201	357	3,0	7,28	4	6,4	11,4	5,6							
219	327	3,6	6,65	4	6,4	11,5	5,6							
236	304	3,5	6,19	3,9	6,3	11,5	5,5							
253	283	4,0	5,75	3,9	6,3	11,5	5,6							
273	263	3,1	5,35	3,7	5,8	11,2	5,3							
90	796	0,8	16,25	0,1	0,1	8,4	5,9	SK 32 - 132 MP/4	92	C74				
101	712	0,9	14,55	0,3	0,8	8,6	5,9							
125	574	1,2	11,71	0,4	1,6	8,9	6							
149	480	1,3	9,80	0,5	2,2	9,1	6							
175	409	1,5	8,36	0,6	3	9,2	5,9							
185	387	1,7	7,90	0,6	4	9,2	6,1							
207	346	1,3	7,05	0,6	4	8,8	5,3							
217	330	1,8	6,74	1,2	4	9,3	5,9							
257	279	2,2	5,70	2	4	9,4	5,9							
266	269	1,7	5,50	1,4	3,7	9,4	5,7							
276	260	2,5	5,28	2,6	4,1	9,4	5,9							
330	217	2,1	4,43	2,3	3,8	9,4	5,6							
390	184	2,5	3,75	2,4	3,7	9,2	5,5							
492	146	3,0	2,96	2,3	3,6	8,8	5,3							
213	336	0,8	6,86	0,2	0,9	6,7	3,5	SK 22 - 132 MP/4	81	C72				
253	283	0,8	5,79	0,3	1	6,6	3,6							
413	173	0,8	3,53	0,4	1,1	6,3	3,5							
522	137	0,8	2,79	0,6	1,2	6,2	3,5							
584	123	2,2	2,50	-	4,2	3,8	7,1	SK 41E - 132 MP/4	88	C66				
683	105	2,4	2,14	-	4	3,7	6,7							
567	126	1,5	2,58	-	3,2	2,4	5,2	SK 31E - 132 MP/4	79	C65				
703	102	1,6	2,08	-	3,1	2,5	4,8							
9,20	4,3	20390	1,0	340,13	90,2	97	118	120	SK 103/52 - 160 SP/4	882	C89 C91			
	5,0	17720	1,1	296,69	93,3	95,9	120	120						
	6,0	14620	1,4	244,77	96,3	94,1	120	120						
	8,0	11040	1,8	184,62	99	90,3	120	120						
	9,5	9251	2,2	154,63	100	87,6	120	120						
	7,1	12390	1,9	207,47	98,1	91,9	120	120	SK 103 - 160 SP/4	808	C89			
	11	8159	2,8	136,51	100,6	85,5	120	120						
	18	4869	4,2	81,40	101,8	76,5	120	120						
	6,1	14380	0,8	239,74	54,6	56,5	85,2	80	SK 93/42 - 160 SP/4	634	C87			
	7,8	11240	1,2	187,89	59,6	56,2	88,5	80	SK 93 - 160 SP/4	589	C87			
12	7349	1,9	123,05	63,8	54	91,4	80							
13	6529	1,8	109,14	64,4	53,1	91,8	80							
16	5584	2,5	93,34	65,1	51,9	92,3	80							
20	4328	3,1	72,47	65,8	49,6	92,8	80							

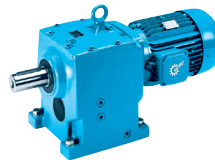


P ₁ [kW]	n ₂ [min ⁻¹]	M ₂ [Nm]	f _B	i _{ges}	F _R [kN]	F _A [kN]	F _{R VL} [kN]	F _{A VL} [kN]	Type	kg	mm 		
9,20	8,9	9842	0,9	164,70	32,2	26,2	54,5	65	SK 83 - 160 SP/4	410	C85		
	14	6213	1,5	104,00	40,7	27,6	59,9	65					
	18	4819	1,9	80,62	42,6	27,6	61,2	65					
	21	4195	2,1	70,24	43,3	27,3	61,7	65					
	24	3693	2,4	61,89	43,8	27	62,1	65					
	29	3079	2,9	51,51	44,3	26,5	62,4	65					
33	2650	3,4	44,38	44,6	25,9	62,6	63,4						
30	2914	1,8	48,82	44,4	26,4	62,5	64,9	SK 82 - 160 SP/4	402	C84			
12	7444	0,8	124,57	9,8	8,7	30,1	42	SK 73 - 160 SP/4	303	C83			
16	5458	1,0	91,38	20,6	11	35,1	42,3						
20	4471	1,2	74,87	23,4	11,8	36,8	41,9						
24	3611	1,6	60,46	25,2	12,4	38	41,1						
28	3125	1,8	52,24	26,1	12,7	38,6	40,3						
32	2729	2,0	45,66	26,6	12,8	39	39,5						
39	2252	2,2	37,63	27,2	12,8	39,4	38,3						
44	1989	2,5	33,24	27,5	12,8	39,5	37,5						
34	2612	1,6	43,71	26,8	13	39,1	39,5	SK 72 - 160 SP/4	293	C82			
44	1977	1,6	33,04	27,5	12,7	39,5	37,3						
51	1708	2,4	28,63	27,7	12,8	39,7	36,5						
19	4631	0,8	77,46	9,5	11,2	21,9	32,6	SK 63 - 160 SP/4	222	C81			
23	3763	1,0	62,87	14,2	12,1	24,3	32,7						
27	3218	1,1	53,82	16,1	12,6	25,5	32,5						
29	3038	1,2	50,73	16,7	12,7	25,8	32,3						
34	2598	1,4	43,43	17,8	12,9	26,5	31,8						
41	2160	1,7	36,11	18,6	13,1	27,1	31,2						
48	1847	1,9	30,91	19,1	13,1	27,5	30,4						
56	1574	2,0	26,28	19,5	13	27,7	29,7						
67	1313	2,4	21,98	19,8	12,6	27,9	28,5						
71	1243	2,6	20,77	19,9	12,7	28	28,4						
40	2216	1,4	37,05	18,5	13,2	27	31,4				SK 62 - 160 SP/4	224	C80
81	1085	2,8	18,14	20	12,5	28,1	27,6						
93	945	3,2	15,80	20,1	12,3	28,1	26,9						
56	1580	1,2	26,46	12,5	23,8	18,6	32,8	SK 52 - 160 SP/4	167	C78			
62	1428	1,3	23,92	12,7	23,8	18,9	32,1						
68	1294	1,5	21,68	12,6	23,8	19,1	31,5						
75	1170	1,6	19,60	12,3	23,8	19,2	30,9						
83	1064	1,8	17,81	12,1	23,8	19,3	30,2						
105	836	2,3	14,00	11,4	22,3	19,5	28,5						
109	805	2,3	13,45	11,4	22,3	19,6	28,4						
139	632	2,8	10,58	10,7	20,6	19,7	26,7						
166	528	3,2	8,83	10,1	19,3	19,7	25,5						
67	1306	0,8	21,87	0,2	0,6	9,6	4				SK 42 - 160 SP/4	138	C76
83	1057	1,1	17,71	0,7	1,2	10,3	4,5						
97	903	1,4	15,12	0,9	5	10,7	4,7						
102	859	1,3	14,38	2,1	5,3	10,8	4,9						
120	733	1,6	12,28	3,7	5,5	11	5						
144	609	1,9	10,20	3,8	5,6	11,2	5,1						
173	508	2,1	8,50	3,7	5,6	11,3	5,1						
202	434	2,5	7,28	3,7	5,7	11,3	5,2						
221	398	2,9	6,65	3,8	5,8	11,4	5,2						
237	370	2,9	6,19	3,7	5,6	11,2	5,2						
255	344	3,3	5,75	3,7	5,7	11,2	5,2						
274	320	2,6	5,35	3,5	5,2	10,6	4,9						
288	305	3,2	5,10	3,6	5,6	10,9	5,1						
321	274	2,8	4,58	3,4	5,2	10,5	4,9						
377	233	3,0	3,89	3,3	5,1	10,2	4,8						
420	209	3,2	3,50	3,3	5	10,1	4,8						
457	192	3,2	3,21	3,2	4,9	9,9	4,7						
485	181	3,3	3,02	3,2	4,9	9,9	4,7						
514	171	2,7	2,86	-	5,8	5,4	8,9	SK 51E - 160 SP/4	128	C67			
588	149	2,9	2,50	-	5,6	5,2	8,5						
713	123	3,1	2,06	-	5,3	4,9	8						
588	149	1,8	2,50	-	3,8	3,4	6,7	SK 41E - 160 SP/4	119	C66			
688	128	1,9	2,14	-	3,7	3,3	6,4						



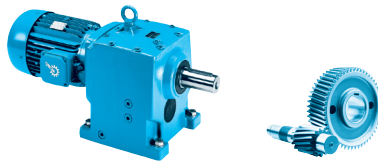
P ₁ [kW]	n ₂ [min ⁻¹]	M ₂ [Nm]	f _B	i _{ges}	F _R [kN]	F _A [kN]	F _{R VL} [kN]	F _{A VL} [kN]	Type	kg	mm 
11,0	4,3	24460	0,8	340,13	84,4	90,7	114	120	SK 103/52 - 160 MP/4	882	C89 C91
	4,9	21260	0,9	296,69	89	90,4	117,2	120			
	6,0	17540	1,1	244,77	93,5	89,4	120	120			
	7,9	13250	1,5	184,62	97,5	86,7	120	120			
	9,5	11100	1,8	154,63	99	84,5	120	120			
	7,1	14870	1,6	207,47	96,1	88	120	120	SK 103 - 160 MP/4	808	C89
	11	9789	2,3	136,51	99,8	82,9	120	120			
	18	5841	3,5	81,40	101,5	75,2	120	120			
	7,8	13480	1,0	187,89	56,3	52,2	86,3	80	SK 93 - 160 MP/4	589	C87
	12	8817	1,6	123,05	62,5	51,5	90,4	80			
	13	7834	1,5	109,14	63,4	50,8	91,1	80			
	16	6699	2,1	93,34	64,3	50	91,7	80			
	20	5193	2,6	72,47	65,3	48	92,4	80			
	8,9	11810	0,8	164,70	24,5	22,1	50,3	65	SK 83 - 160 MP/4	410	C85
	14	7454	1,2	104,00	38,5	25,1	58,4	65			
	18	5781	1,6	80,62	41,4	25,6	60,4	65			
	21	5032	1,8	70,24	42,4	25,6	61,1	65			
	24	4430	2,0	61,89	43,1	25,5	61,6	65			
	28	3694	2,4	51,51	43,8	25,2	62,1	63,8			
	33	3179	2,8	44,38	44,2	24,9	62,4	62,1			
	38	2797	3,2	39,08	44,5	24,5	62,6	60,3			
	30	3496	1,5	48,82	44	25,2	62,2	63,4	SK 82 - 160 MP/4	402	C82
	36	2899	1,4	40,45	44,4	24,6	62,5	60,9			
	16	6549	0,8	91,38	16,1	8,5	32,7	39,1	SK 73 - 160 MP/4	303	C83
	20	5364	1,0	74,87	21	9,8	35,3	39,2			
	24	4332	1,3	60,46	23,8	10,9	37,1	39			
	28	3749	1,5	52,24	25	11,3	37,9	38,5			
	32	3274	1,6	45,66	25,9	11,6	38,4	37,9			
	39	2701	1,9	37,63	26,7	11,8	39	36,9			
	44	2386	2,1	33,24	27,1	11,9	39,3	36,2			
	52	2033	2,5	28,32	27,4	11,9	39,5	35,3			
	63	1677	3,0	23,34	27,7	11,7	39,7	34			
	34	3133	1,3	43,71	26,1	11,9	38,6	38			
	44	2372	1,4	33,04	27,1	11,8	39,3	36,1			
	51	2049	2,0	28,63	27,4	12	39,5	35,6			
	23	4514	0,8	62,87	10,5	10,1	22,3	30,2	SK 63 - 160 MP/4	222	C81
	27	3860	1,0	53,82	13,9	10,8	24,1	30,3			
	29	3645	1,0	50,73	14,7	11,1	24,6	30,2			
	34	3117	1,2	43,43	16,5	11,5	25,7	30,1			
	41	2591	1,4	36,11	17,8	11,9	26,5	29,7			
	47	2216	1,6	30,91	18,5	12,1	27	29,2			
	56	1888	1,7	26,28	19,1	12,1	27,4	28,6			
	67	1576	2,0	21,98	19,5	11,9	27,7	27,6			
	70	1492	2,1	20,77	19,6	12	27,8	27,6			
	40	2659	1,1	37,05	17,6	12	26,4	30			
	81	1302	2,4	18,14	19,8	12	27,9	26,9			
	93	1133	2,7	15,80	20	11,8	28	26,3			
	105	998	3,1	13,92	20,1	11,6	28,1	25,6			
	126	832	3,7	11,59	20,2	11,3	28,2	24,6			
	55	1895	1,0	26,46	8	23,8	18,1	31,8	SK 52 - 160 MP/4	167	C78
	61	1713	1,1	23,92	9,5	23,8	18,4	31,1			
	68	1552	1,2	21,68	11,5	23,8	18,7	30,7			
	75	1403	1,4	19,60	11,8	23,5	18,9	30,1			
	82	1277	1,5	17,81	11,6	23	19,1	29,5			
	105	1003	1,9	14,00	11	21,3	19,4	27,8			
	109	965	1,9	13,45	11	21,5	19,4	27,8			
	139	758	2,3	10,58	10,4	19,8	19,6	26,2			
	166	633	2,6	8,83	9,9	18,6	19,7	25			
	190	553	2,9	7,70	9,6	18	19,7	24,4			
	201	523	3,0	7,27	9,4	17,5	19,8	24			


11,0 kW
15,0 kW



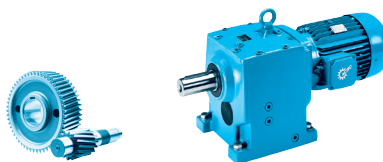
Helical Gear Units

P ₁ [kW]	n ₂ [min ⁻¹]	M ₂ [Nm]	f _B	i _{ges}	F _R [kN]	F _A [kN]	F _{R VL} [kN]	F _{A VL} [kN]	Type	kg	mm 	
11,0	83	1269	0,9	17,71	0,1	0,3	9,1	3,4	SK 42 - 160 MP/4	138	C76	
	97	1083	1,1	15,12	0,1	0,9	9,6	3,8				
	102	1031	1,1	14,38	0,2	1,2	10,1	4				
	119	880	1,4	12,28	0,2	4,2	10,3	4,2				
	144	731	1,6	10,20	2,3	4,6	10,5	4,5				
	172	609	1,8	8,50	3,4	4,7	10,5	4,6				
	202	521	2,1	7,28	3,4	4,9	10,5	4,7				
	220	477	2,4	6,65	3,5	5,1	10,7	4,8				
	237	444	2,4	6,19	3,4	5	10,5	4,8				
	254	413	2,7	5,75	3,5	5,1	10,6	4,8				
	273	384	2,1	5,35	3,2	4,6	10	4,5				
	287	366	2,7	5,10	3,4	5	10,4	4,8				
	320	328	2,4	4,58	3,2	4,6	9,9	4,5				
	375	280	2,5	3,89	3,2	4,6	9,8	4,5				
	419	251	2,6	3,50	3,1	4,6	9,7	4,5				
	456	230	2,7	3,21	3,1	4,5	9,6	4,5				
	484	217	2,8	3,02	3,1	4,5	9,5	4,5				
	512	205	2,2	2,86	-	5,5	5,3	8,6	SK 51E - 160 MP/4	128	C67	
	586	179	2,4	2,50	-	5,3	5,1	8,2				
	710	148	2,6	2,06	-	5	4,8	7,7				
	586	179	1,5	2,50	-	3,5	3	6,4	SK 41E - 160 MP/4	119	C66	
	685	153	1,6	2,14	-	3,4	3	6,1				
15,0	6,0	23920	0,8	244,77	85,1	79,2	114,5	120	SK 103/52 - 160 LP/4	911	C89 C91	
	7,9	18070	1,1	184,62	93	79,2	120	120				
	9,5	15130	1,3	154,63	95,9	78,1	120	120				
	12	12000	1,7	122,42	98,4	76,3	120	120				
	14	10310	1,9	105,36	99,4	74,7	120	120				
		7,1	20270	1,1	207,47	90,3	79,3	118,1	120	SK 103 - 160 LP/4	837	C89
		11	13350	1,7	136,51	97,4	77,3	120	120			
		18	7965	2,6	81,40	100,7	71,7	120	120			
		21	6885	2,9	70,38	101,1	69,7	120	119,1			
		7,8	18380	0,8	187,89	45,3	43,4	79,6	80	SK 93 - 160 LP/4	618	C87
		12	12020	1,2	123,05	58,5	45,7	87,8	80			
		13	10680	1,1	109,14	60,4	45,7	89	80			
		16	9136	1,5	93,34	62,2	45,6	90,2	80			
		20	7081	1,9	72,47	64	44,8	91,5	80			
24		6029	2,1	61,63	64,8	43,8	92,1	80				
27		5256	2,3	53,80	65,3	43	92,4	80				
31		4559	2,7	46,57	65,7	42,1	92,7	80				
	14	10170	0,9	104,00	31,3	19,5	54	63,6	SK 83 - 160 LP/4	439	C85	
	18	7884	1,1	80,62	37,6	21,2	57,8	63,1				
	21	6862	1,3	70,24	39,6	21,8	59,2	62,4				
	24	6041	1,5	61,89	41	22,2	60,1	61,6				
	28	5037	1,8	51,51	42,4	22,5	61,1	60,2				
	33	4336	2,1	44,38	43,2	22,5	61,6	58,8				
	38	3814	2,4	39,08	43,7	22,3	62	57,6				
	45	3180	2,7	32,52	44,2	22	62,4	55,7				
		30	4768	1,1	48,82	42,7	22,7	61,3				60
36		3953	1,0	40,45	43,6	22,4	61,9	58				
46		3139	2,1	32,12	44,3	22,1	62,4	55,7				
55		2603	2,4	26,62	44,6	21,6	62,7	53,5				
	24	5908	1,0	60,46	19	7,2	34,2	34,2	SK 73 - 160 LP/4	332	C83	
	28	5112	1,1	52,24	21,8	8,2	35,8	34,3				
	32	4465	1,2	45,66	23,5	8,9	36,9	34,3				
	39	3684	1,4	37,63	25,1	9,6	38	34				
	44	3253	1,5	33,24	25,9	9,9	38,5	33,6				
	52	2772	1,8	28,32	26,6	10,2	38,9	33				
	63	2287	2,2	23,34	27,2	10,4	39,3	32,2				
	71	2020	2,5	20,62	27,4	10,4	39,3	31,6				
	81	1761	2,8	18,00	27,7	10,4	38,7	30,9				



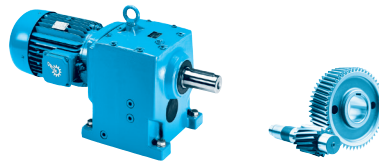
P ₁ [kW]	n ₂ [min ⁻¹]	M ₂ [Nm]	f _B	i _{ges}	F _R [kN]	F _A [kN]	F _{R VL} [kN]	F _{A VL} [kN]	Type	kg	mm 
15,0	34	4272	0,9	43,71	23,9	9,4	37,2	34,7	SK 72 - 160 LP/4	322	C72
	44	3235	1,0	33,04	25,9	9,8	38,5	33,5			
	51	2795	1,5	28,63	26,5	10,4	38,9	33,4			
	67	2123	1,9	21,72	27,3	10,6	39,5	32			
	68	2116	2,1	21,64	27,3	10,3	39,1	31,7			
	87	1646	2,5	16,86	27,8	10,5	38,5	30,6			
	102	1401	2,9	14,33	27,9	10,4	37,2	29,7			
	34	4250	0,9	43,43	12	8,4	23,1	26,3	SK 63 - 160 LP/4	251	C81
	41	3533	1,0	36,11	15,1	9,3	24,8	26,5			
	47	3022	1,2	30,91	16,7	9,8	25,8	26,5			
	56	2574	1,2	26,28	17,8	10,2	26,6	26,3			
	67	2148	1,5	21,98	18,6	10,3	27,1	25,6			
	70	2034	1,6	20,77	18,9	10,5	27,3	25,7			
	84	1698	1,9	17,37	19,4	10,4	27,6	25			
	40	3626	0,8	37,05	14,8	9,4	24,6	26,8	SK 62 - 160 LP/4	253	C80
	81	1775	1,7	18,14	19,2	10,7	27,5	25,4			
	93	1545	1,9	15,80	19,5	10,7	27,7	24,9			
	105	1360	2,3	13,92	19,8	10,6	27,9	24,4			
	126	1134	2,7	11,59	20	10,5	28	23,5			
	139	1029	3,0	10,55	20	10,2	28,1	23			
	167	858	3,5	8,78	20,2	10	28,2	22,1			
	61	2336	0,8	23,92	0,6	1,5	12,2	29			
	68	2117	0,9	21,68	1,8	20,8	14,7	28,8			
	75	1913	1,0	19,60	3,8	20,5	15,8	28,4			
	82	1741	1,1	17,81	5,3	20,2	16,8	27,8			
	105	1368	1,4	14,00	8	19,1	18,2	26,5			
	109	1316	1,4	13,45	9,9	19,4	19	26,6			
	139	1034	1,7	10,58	9,7	18,1	19,4	25,2			
	166	864	1,9	8,83	9,3	17,2	19,5	24,2			
	190	753	2,1	7,70	9,2	16,8	19,6	23,6			
	201	713	2,2	7,27	9	16,4	19,6	23,2			
	228	629	2,4	6,42	8,8	15,8	19,7	22,6			
	240	598	2,5	6,09	8,7	15,7	19,7	22,4			
	253	565	2,5	5,79	8,6	15,4	19,7	22			
	262	547	2,1	5,60	8,3	14,9	19,7	21,6			
	287	499	2,7	5,08	8,3	14,8	19,8	21,4			
	317	451	2,6	4,61	8	14	19,8	20,7			
	359	399	2,8	4,08	7,8	13,5	19,8	20,1			
	400	358	3,0	3,67	7,6	13,1	19,8	19,6			
	432	332	3,0	3,40	7,4	12,8	19,6	19,2			
	453	316	3,0	3,23	7,3	12,5	19,5	19			
	97	1477	0,8	15,12	0,1	0,2	2,8	1,7	SK 42 - 160 LP/4	167	C76
	102	1406	0,8	14,38	0,1	0,6	4,6	2,1			
	119	1200	1,0	12,28	0,1	1,1	7,1	2,6			
	144	997	1,2	10,20	0,2	1,5	8,1	3,1			
	172	831	1,3	8,50	0,2	1,9	8,4	3,3			
	202	711	1,5	7,28	0,2	3,1	8,8	3,6			
	220	651	1,8	6,65	1,9	3,5	9,2	3,9			
	237	606	1,8	6,19	2	3,5	9,1	3,9			
	254	564	2,0	5,75	2,9	3,8	9,3	4,1			
	273	524	1,6	5,35	1,7	3,2	8,6	3,7			
	287	499	2,0	5,10	2,9	3,8	9,2	4,1			
	320	448	1,7	4,58	2,7	3,4	8,7	3,8			
	375	382	1,8	3,89	2,8	3,6	8,8	3,9			
	419	342	1,9	3,50	2,8	3,7	8,8	4			
	456	314	2,0	3,21	2,8	3,7	8,7	4			
	484	296	2,0	3,02	2,8	3,7	8,7	4			
	512	280	1,6	2,86	-	4,8	4,8	7,9	SK 51E - 160 LP/4	157	C67
	586	244	1,7	2,50	-	4,7	4,8	7,6			
	710	202	1,9	2,06	-	4,5	4,6	7,2			
	586	244	1,1	2,50	-	2,7	2	5,6	SK 41E - 160 LP/4	148	C66
	685	209	1,2	2,14	-	2,7	2,1	5,4			


18,5 kW



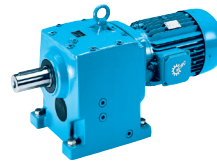
Helical Gear Units

P ₁ [kW]	n ₂ [min ⁻¹]	M ₂ [Nm]	f _B	i _{ges}	F _R [kN]	F _A [kN]	F _{R VL} [kN]	F _{A VL} [kN]	Type	kg	mm
18,5	8,0	22060	0,9	184,62	87,9	72,3	116,4	120	SK 103/52 - 180 MP/4	944	C89 C91
	9,6	18480	1,1	154,63	92,5	72,5	119,6	120			
	12	14650	1,4	122,42	96,3	71,8	120	120			
	14	12590	1,6	105,36	97,9	70,9	120	120			
	18	9724	2,1	81,40	99,8	68,6	120	118,9	SK 103 - 180 MP/4	870	C89
	21	8405	2,4	70,38	100,4	67,1	120	115,9			
	24	7252	2,8	60,71	101	65,5	120	112,5			
	28	6327	3,2	52,98	101,3	64	120	109,1			
	12	15200	0,8	127,50	52,9	40,5	84,1	80	SK 93/52 - 180 MP/4	725	C87 C91
	14	12650	1,0	106,25	57,5	41,4	87,1	80			
	16	11150	1,3	93,34	59,7	41,7	88,6	80	SK 93 - 180 MP/4	651	C87
	20	8645	1,6	72,47	62,6	41,7	90,6	80			
	24	7361	1,7	61,63	63,8	41,3	91,4	80			
	28	6416	1,9	53,80	64,5	40,8	91,9	80			
	32	5566	2,2	46,57	65,1	40,1	92,3	80			
	38	4710	2,6	39,54	65,6	39,2	92,6	80			
	18	9625	0,9	80,62	32,9	17,5	54,9	58,1	SK 83 - 180 MP/4	472	C85
	21	8378	1,1	70,24	36,3	18,5	57	58,1			
	24	7375	1,2	61,89	38,5	19,3	58,5	57,9			
	29	6150	1,5	51,51	40,8	20	60	57			
	33	5293	1,7	44,38	42	20,3	60,8	56,2			
	38	4656	1,9	39,08	42,8	20,5	61,4	55,2			
	46	3882	2,2	32,52	43,6	20,5	62	53,6			
	53	3342	2,4	28,03	44,1	20,4	62,3	52,3			
	61	2910	2,7	24,42	44,4	20,1	62,5	50,9			
	71	2505	3,2	21,04	44,7	19,9	62,1	49,5			
	24	7212	0,8	60,46	11,8	4,2	25,4	30	SK 73 - 180 MP/4	365	C83
	28	6241	0,9	52,24	17,5	5,6	29	30,7			
	32	5451	1,0	45,66	20,6	6,5	31,5	31,2			
	39	4497	1,1	37,63	23,4	7,6	34	31,4			
	44	3972	1,3	33,24	24,6	8,2	35	31,3			
	52	3384	1,5	28,32	25,7	8,7	35,8	31,1			
	63	2792	1,8	23,34	26,3	9,1	36,3	30,6			
	72	2466	2,0	20,62	26,6	9,3	36,4	30,1			
	82	2150	2,3	18,00	26,6	9,4	36,2	29,6			
		68	2592	1,6	21,72	26,8	9,5	37			
88		2009	2,0	16,86	27	9,6	36,5	29,5			
103		1711	2,4	14,33	26,7	9,6	36	28,7			
118		1491	2,7	12,52	26,4	9,6	35,1	28			
	41	4314	0,9	36,11	11,6	7,1	21,3	23,7	SK 63 - 180 MP/4	284	C81
	48	3689	1,0	30,91	14,5	7,9	23,7	24,1			
	56	3143	1,0	26,28	16,4	8,6	25,6	24,2			
	67	2623	1,2	21,98	17,7	8,8	26,2	23,8			
	71	2484	1,3	20,77	18	9,2	26,7	24,1			
	85	2073	1,5	17,37	18,8	9,3	27,2	23,5			
	82	2167	1,4	18,14	18,6	9,6	27,1	24	SK 62 - 180 MP/4	286	C80
	94	1887	1,6	15,80	19,1	9,7	27,4	23,7			
	106	1661	1,9	13,92	19,4	9,8	27,6	23,3			
	128	1385	2,2	11,59	19,7	9,8	27,9	22,7			
	141	1256	2,5	10,55	19,9	9,5	27,4	22,1			
	169	1047	2,9	8,78	20	9,4	27	21,4			
	196	901	3,5	7,56	20,1	9,3	26,6	20,8			
	233	758	2,5	6,35	20,2	8,8	25,3	19,8			
	280	632	3,0	5,29	20,3	8,6	24,6	19,1			
	76	2336	0,8	19,60	0,2	1	9,2	26,8	SK 52 - 180 MP/4	229	C78
	83	2126	0,9	17,81	0,5	1,3	10,8	26,5			
	106	1670	1,1	14,00	2,1	1,7,2	13,2	25,4			
	110	1607	1,2	13,45	4,7	1,7,6	15,2	25,5			
	140	1263	1,4	10,58	7,1	1,6,7	16,6	24,3			
	168	1054	1,6	8,83	8,6	1,6	17,3	23,4			
	192	920	1,7	7,70	8,7	1,5,7	18,6	22,9			
	203	870	1,8	7,27	8,5	1,5,4	18,4	22,5			
	230	768	1,9	6,42	8,4	1,4,9	18,8	22			
	242	729	2,0	6,09	8,4	1,4,9	19,3	21,8			



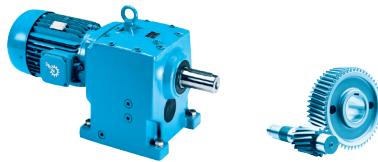
P ₁ [kW]	n ₂ [min ⁻¹]	M ₂ [Nm]	f _B	i _{ges}	F _R [kN]	F _A [kN]	F _{R VL} [kN]	F _{A VL} [kN]	Type	kg	mm 				
18,5	256	690	2,1	5,79	8,2	14,6	19,1	21,5	SK 52 - 180 MP/4	229	C78				
	265	668	1,8	5,60	7,9	14	17,8	21,1							
	290	609	2,2	5,08	8	14,1	19,2	20,9							
	321	551	2,2	4,61	7,7	13,3	18,2	20,2							
	363	487	2,3	4,08	7,5	12,9	18,3	19,7							
	404	437	2,4	3,67	7,3	12,5	18,3	19,2							
	436	405	2,5	3,40	7,2	12,2	18,3	18,9							
	458	386	2,5	3,23	7,1	12,1	18,3	18,6							
	533	332	2,7	2,78	6,8	11,5	18,1	18							
	18,5	121	1465	0,8	12,28	0,1	0,1	0,6				1,1	SK 42 - 180 MP/4	200	C76
		145	1217	1,0	10,20	0,1	0,5	4,1				1,9			
		174	1015	1,1	8,50	0,1	0,8	6,3				2,3			
		204	868	1,2	7,28	0,1	1,2	7,3				2,7			
		222	795	1,5	6,65	0,1	1,8	7,8				3,1			
239		739	1,5	6,19	0,1	2,3	7,8	3,1							
257		688	1,6	5,75	0,1	2,7	8,2	3,4							
276		639	1,3	5,35	0,8	2,7	7,3	2,9							
290		609	1,6	5,10	0,9	2,8	8,2	3,4							
323		547	1,4	4,58	0,2	2,4	7,7	3,2							
379		466	1,5	3,89	1,8	2,8	7,9	3,4							
423		418	1,6	3,50	2,4	2,9	7,9	3,5							
460		384	1,6	3,21	2,5	3	8	3,5							
489		362	1,7	3,02	2,5	3	8	3,6							
18,5		517	342	1,3	2,86	-	4,2	4	7,2	SK 51E - 180 MP/4	190	C67			
		592	298	1,4	2,50	-	4,1	4,1	7						
		718	246	1,6	2,06	-	3,9	4,1	6,7						
22,0	8,0	26320	0,8	184,62	81,1	65,9	111,8	120	SK 103/52 - 180 LP/4	944	C89 C91				
	9,5	22050	0,9	154,63	88	66,9	116,5	120							
	12	17480	1,1	122,42	93,6	67,3	120	120							
	14	15030	1,3	105,36	96	67	120	119,5							
	22,0	18	11600	1,8	81,40	98,6	65,7	120				115,2	SK 103 - 180 LP/4	870	C89
		21	10030	2,0	70,38	99,6	64,6	120				112,5			
		24	8653	2,3	60,71	100,3	63,3	120				109,6			
		28	7549	2,6	52,98	100,8	62	120				106,8			
		33	6456	3,1	45,25	101,3	60,3	120				103,3			
	22,0	16	13310	1,1	93,34	56,6	38	86,5				80	SK 93 - 180 LP/4	651	C87
		20	10310	1,3	72,47	60,8	38,8	89,3				80			
		24	8783	1,4	61,63	62,5	38,8	90,5				80			
		27	7656	1,6	53,80	63,6	38,6	91,2				80			
		32	6642	1,8	46,57	64,4	38,2	91,8				80			
37		5621	2,2	39,54	65,1	37,6	92,2	80							
47		4449	2,7	31,25	65,7	36,5	90,2	79,6							
54		3860	3,2	27,05	66	35,8	88,1	77,2							
64		3266	3,7	22,97	66,2	34,7	85,5	74,4							
77		2730	4,5	19,12	66,4	33,5	82,5	71,3							
22,0	18	11480	0,8	80,62	26,1	13,7	51,1	53,3	SK 83 - 180 LP/4	472	C85				
	21	9997	0,9	70,24	31,8	15,3	54,3	53,9							
	24	8801	1,0	61,89	35,3	16,4	56,4	53,9							
	29	7338	1,2	51,51	38,7	17,6	58,6	53,9							
	33	6316	1,4	44,38	40,5	18,2	59,8	53,3							
	38	5556	1,6	39,08	41,7	18,6	60,6	52,8							
	45	4633	1,8	32,52	42,9	19	61,4	51,7							
	53	3987	2,0	28,03	43,5	19	61,9	50,6							
	60	3473	2,3	24,42	44	19	61,6	49,5							
	70	2989	2,7	21,04	44,4	18,9	60,6	48,2							
	22,0	89	2358	2,8	16,56	44,8	18,5	57,9				46,1	SK 82 - 180 LP/4	464	C84
103		2035	3,2	14,29	44,9	18,2	56,1	44,7							
22,0	32	6505	0,8	45,66	15,6	4,2	24,5	28	SK 73 - 180 LP/4	365	C83				
	39	5366	0,9	37,63	19	5,7	28,3	28,8							
	44	4739	1,1	33,24	20,6	6,5	30,1	29							
	52	4038	1,2	28,32	22,3	7,2	31,8	29,1							
	63	3331	1,5	23,34	23,6	7,9	33	29							
	71	2942	1,7	20,62	24,1	8,2	33,5	28,8							
	82	2566	1,9	18,00	24,5	8,5	33,8	28,3							


22,0 kW
30,0 kW



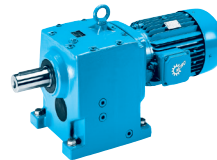
Helical Gear Units

P ₁ [kW]	n ₂ [min ⁻¹]	M ₂ [Nm]	f _B	i _{ges}	F _R [kN]	F _A [kN]	F _{R VL} [kN]	F _{A VL} [kN]	Type	kg	mm 		
22,0	68	3093	1,3	21,72	24,5	8,4	34	29,1	SK 72 - 180 LP/4	355	C82		
	88	2398	1,7	16,86	25	8,8	34,3	28,4					
	103	2041	2,0	14,33	25,1	8,9	34,1	27,7					
	118	1780	2,3	12,52	25	9	33,8	27,1					
	136	1546	3,0	10,84	24,3	8,8	32,8	26,3					
	48	4402	0,8	30,91	11,1	6	18,3	21,7	SK 63 - 180 LP/4	284	C81		
	56	3750	0,9	26,28	14,3	6,9	20,9	22,2					
	67	3130	1,0	21,98	16,4	7,4	22,3	22,1					
	71	2963	1,1	20,77	16,9	7,9	23,7	22,5					
	85	2473	1,3	17,37	18	8,2	24,2	22,1					
	81	2586	1,2	18,14	17,8	8,5	25	22,6	SK 62 - 180 LP/4	286	C80		
	93	2251	1,3	15,80	18,5	8,7	25,7	22,4					
	106	1982	1,6	13,92	18,9	8,9	26	22,2					
	127	1652	1,9	11,59	19,4	9	26,3	21,8					
	140	1499	2,1	10,55	19,6	8,8	25,6	21,2					
168	1250	2,4	8,78	19,9	8,9	25,6	20,7						
195	1076	2,9	7,56	20	8,8	25,4	20,2						
232	904	2,1	6,35	20,1	8,4	24	19,2						
279	754	2,5	5,29	19,7	8,2	23,6	18,6						
324	649	3,2	4,56	19,3	8,1	23,2	18						
363	578	3,3	4,05	19	8	22,8	17,6						
377	557	3,6	3,91	18,9	7,9	22,6	17,5						
397	529	3,8	3,72	18,7	7,9	22,4	17,3						
83	2537	0,8	17,81	0,1	1	4,3	25	SK 52 - 180 LP/4				229	C78
105	1993	1,0	14,00	0,4	1,2	8,1	24,1						
110	1917	1,0	13,45	1,3	1,2	10,7	24,4						
139	1506	1,2	10,58	2,6	15,2	12,8	23,4						
167	1258	1,3	8,83	4,8	14,8	14,1	22,6						
191	1098	1,5	7,70	7,5	14,7	15,9	22,3						
202	1038	1,5	7,27	7,4	14,3	15,7	21,9						
229	917	1,6	6,42	8	14	16,5	21,4						
241	870	1,7	6,09	8	14,1	17,3	21,4						
255	824	1,7	5,79	7,9	13,7	17	21						
264	797	1,5	5,60	7,6	13,1	15,5	20,5						
289	727	1,9	5,08	7,7	13,4	17,4	20,5						
320	657	1,8	4,61	7,4	12,7	16,4	19,8						
362	581	1,9	4,08	7,2	12,3	16,7	19,3						
403	522	2,0	3,67	7,1	11,9	16,9	18,8						
435	483	2,1	3,40	7	11,7	17	18,5						
456	460	2,1	3,23	6,9	11,6	17	18,4						
531	396	2,2	2,78	6,7	11,1	17	17,7						
145	1452	0,8	10,20	0,1	0,1	0,3	0,4	SK 42 - 180 LP/4	200	C76			
174	1211	0,9	8,50	0,1	0,1	1,5	1,2						
203	1035	1,0	7,28	0,1	0,2	4,4	1,8						
222	948	1,2	6,65	0,2	0,2	6,4	2,3						
238	882	1,2	6,19	0,2	0,2	6,5	2,3						
256	821	1,4	5,75	0,4	0,4	7	2,7						
275	763	1,1	5,35	0,1	0,2	6	2,2						
289	726	1,4	5,10	0,4	0,4	7,1	2,8						
322	653	1,2	4,58	0,3	0,3	6,6	2,5						
378	556	1,3	3,89	0,1	0,3	6,9	2,8						
421	499	1,3	3,50	0,4	2,1	7,1	3						
459	458	1,4	3,21	1,2	2,3	7,2	3,1						
487	432	1,4	3,02	1,7	2,4	7,3	3,1						
515	408	1,1	2,86	-	3,6	3,2	6,6				SK 51E - 180 LP/4	190	C67
590	356	1,2	2,50	-	3,5	3,3	6,5						
715	294	1,3	2,06	-	3,4	3,5	6,1						
30,0	18	15720	1,3	81,40	95,2	58,9	120	106,8	SK 103 - 225 RP/4	1030	C89		
	21	13580	1,5	70,38	97,1	58,9	120	105,3					
	24	11720	1,7	60,71	98,5	58,4	120	103,3					
	28	10220	2,0	52,98	99,4	57,6	120	101,2					
	33	8744	2,3	45,25	100,2	56,6	120	98,6					
	39	7325	2,7	37,90	100,9	55,2	120	95,7					
	21	13970	1,0	72,47	55	32	79,7	80	SK 93 - 225 RP/4	811	C87		
	24	11900	1,1	61,63	58,5	33	82,6	80					
	28	10370	1,2	53,80	60,6	33,6	83,9	80					



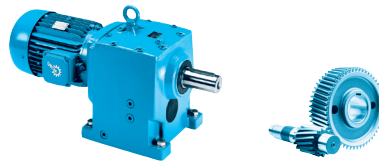
P ₁ [kW]	n ₂ [min ⁻¹]	M ₂ [Nm]	f _B	i _{ges}	F _R [kN]	F _A [kN]	F _{R VL} [kN]	F _{A VL} [kN]	Type	kg	mm 			
30,0	32	8996	1,4	46,57	62,2	33,9	84,4	80	SK 93 - 225 RP/4	811	C87			
	38	7613	1,6	39,54	63,5	34	84,4	79						
	48	6027	2,0	31,25	64,8	33,6	83,3	76,2						
	55	5228	2,3	27,05	65,3	33,2	82,2	74,1						
	65	4424	2,8	22,97	65,7	32,6	80,6	71,8						
	77	3698	3,3	19,12	66	31,8	78,4	69,1						
	24	11920	0,8	61,89	24,2	9,9	40,3	29,3				SK 83 - 225 RP/4	632	C85
	29	9939	0,9	51,51	31,6	12	46,5	46,5						
	33	8554	1,0	44,38	35,7	13,4	49,8	47,2						
	38	7525	1,2	39,08	38,1	14,4	52,1	47,2						
46	6275	1,4	32,52	40,5	15,4	53,8	47,2							
53	5400	1,5	28,03	41,8	16	54,8	46,8							
61	4704	1,7	24,42	42,7	16,4	55	46							
71	4048	2,0	21,04	43,1	16,6	55	45,4							
90	3194	2,1	16,56	43,1	16,8	54,7	44	SK 82 - 225 RP/4	624	C84				
104	2756	2,4	14,29	42,5	16,7	53,7	42,8							
125	2285	3,1	11,84	41,4	16,3	51,8	41,2							
45	6419	0,8	33,24	10,9	2,5	18,4	23,8	SK 73 - 225 RP/4	525	C83				
52	5469	0,9	28,32	14,1	3,9	22	24,7							
63	4512	1,1	23,34	17	5,2	25,2	25,3							
72	3985	1,3	20,62	18,4	5,8	26,6	25,5							
82	3475	1,4	18,00	19,6	6,3	27,9	25,5							
88	3247	1,2	16,86	20,7	6,9	29	25,8	SK 72 - 225 RP/4	515	C82				
104	2765	1,5	14,33	21,3	7,3	29,6	25,5							
119	2410	1,7	12,52	21,7	7,5	30	25,3							
137	2094	2,2	10,84	21,3	7,5	29,4	24,5							
157	1825	2,6	9,46	21,5	7,6	29,3	24,1							
181	1583	2,9	8,19	21,5	7,6	29,1	23,6							
214	1340	3,2	6,95	21,3	7,7	28,8	23							
231	1239	2,2	6,42	20,2	7,2	27,4	22,1							
265	1080	2,6	5,60	20	7,2	27	21,6							
306	937	3,1	4,85	19,8	7,2	26,4	21							
107	2684	1,1	13,92	17,5	6,9	20,6	19,8				SK 62 - 225 RP/4	446	C80	
128	2238	1,4	11,59	18,4	7,4	21,8	19,8							
141	2030	1,5	10,55	18,2	7,3	21,4	19,4							
169	1693	1,8	8,78	18,7	7,5	22,1	19,1							
197	1457	2,1	7,56	18,9	7,7	22,4	18,8							
234	1225	1,6	6,35	17,9	7,3	21,3	17,9							
281	1021	1,8	5,29	17,9	7,4	21,4	17,5							
326	879	2,4	4,56	17,8	7,3	21,2	17,1							
366	783	2,4	4,05	17,6	7,3	21	16,8							
380	755	2,7	3,91	17,6	7,3	21	16,7							
399	717	2,8	3,72	17,4	7,3	20,9	16,6							
448	640	3,1	3,30	17,2	7,2	20,6	16,2							
500	573	3,4	2,97	17	7,1	20,3	15,9							
37,0	18	19380	1,1	81,40	91,4	53,3	118,8	99,6	SK 103 - 225 SP/4	1040				C89
	21	16750	1,2	70,38	94,3	53,8	120	98,6						
	24	14450	1,4	60,71	96,4	53,9	120	97,5						
	28	12610	1,6	52,98	97,9	53,8	120	96,3						
	33	10780	1,9	45,25	99,2	53,3	118,6	94,6						
	39	9034	2,2	37,90	100,1	52,4	115,5	91,9						
	50	7048	2,8	29,62	101	50,8	110,5	88,2						
	59	6027	3,3	25,30	101,4	49,6	107,2	85,5						
	21	17230	0,8	72,47	48,2	26,1	64,6	76,2			SK 93 - 225 SP/4	826	C87	
	24	14670	0,9	61,63	54	28,1	70	76,5						
28	12790	1,0	53,80	57,3	29,3	72,8	76,3							
32	11090	1,1	46,57	59,8	30,1	75,4	75,7							
38	9389	1,3	39,54	61,8	30,8	76,6	74,8							
48	7433	1,6	31,25	63,7	31	77,2	72,6							
55	6448	1,9	27,05	64,5	31	76,9	71,2							
65	5456	2,2	22,97	65,2	30,7	76,2	69,2							
77	4561	2,7	19,12	65,7	30,1	74,9	66,9							
90	3918	2,7	16,47	65,9	29,8	73,6	65,2	SK 92 - 225 SP/4	815	C86				
103	3416	3,2	14,36	65,8	29,2	72	63,5							
120	2948	3,6	12,39	64	28,4	70,2	61,3							


37,0 kW
45,0 kW



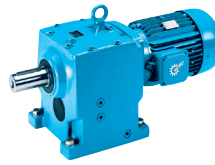
Helical Gear Units

P ₁ [kW]	n ₂ [min ⁻¹]	M ₂ [Nm]	f _B	i _{ges}	F _R [kN]	F _A [kN]	F _{R VL} [kN]	F _{A VL} [kN]	Type	kg	mm 				
37,0	33	10550	0,8	44,38	28,6	9,4	38,8	41,8	SK 83 - 225 SP/4	647	C85				
	38	9281	1,0	39,08	31,6	10,8	42,2	42,5							
	46	7739	1,1	32,52	34,9	12,5	46	43,1							
	53	6661	1,2	28,03	36,8	13,4	48	43,2							
	61	5801	1,4	24,42	37,9	14,1	49,3	43,1							
	71	4993	1,6	21,04	38,8	14,7	49,9	42,7							
	90	90	3940	1,7	16,56	39,8	15,3	50,7	41,8	SK 82 - 225 SP/4	639	C84			
		104	3399	1,9	14,29	39,7	15,3	50,4	41						
		125	2819	2,5	11,84	39	15,2	49,3	39,8						
		144	2459	2,8	10,33	38,5	15,1	48,7	38,8						
		168	2103	3,1	8,82	37,8	14,9	47,3	37,6						
		201	1762	3,6	7,39	36,9	14,7	45,5	36,3						
		239	1476	2,9	6,19	35	13,9	43,2	34,5						
	63	63	5565	0,9	23,34	11,2	2,8	18,2	22,1	SK 73 - 225 SP/4	540	C83			
		72	4915	1,0	20,62	13,3	3,7	20,5	22,7						
82		4286	1,2	18,00	15,2	4,5	22,6	23							
88	88	4005	1,0	16,86	16,6	5,2	24,3	23,6	SK 72 - 225 SP/4	530	C82				
	104	3410	1,2	14,33	18	5,8	25,8	23,7							
	119	2973	1,4	12,52	18,8	6,3	26,6	23,6							
	137	2582	1,8	10,84	18,7	6,3	26,3	23							
	157	2251	2,1	9,46	19,2	6,6	26,6	22,8							
	181	1953	2,4	8,19	19,5	6,8	26,8	22,4							
	214	1652	2,6	6,95	19,6	6,9	26,8	22							
	231	1528	1,8	6,42	18,4	6,5	25,3	21							
	265	1332	2,1	5,60	18,5	6,5	25,3	20,7							
	306	1155	2,5	4,85	18,4	6,6	25,1	20,2							
	361	978	2,7	4,12	18,3	6,6	24,7	19,7							
107	107	3310	0,9	13,92	14,2	5,3	15,8	17,7	SK 62 - 225 SP/4	461	C80				
	128	2760	1,1	11,59	15,7	6	17,9	18							
	141	2504	1,2	10,55	15,4	5,9	17,8	17,7							
	169	2088	1,4	8,78	16,3	6,4	19,1	17,7							
	197	1797	1,7	7,56	16,8	6,7	19,7	17,7							
	234	1510	1,3	6,35	16	6,4	18,8	16,8							
	281	1259	1,5	5,29	16,3	6,6	19,3	16,5							
	326	1084	1,9	4,56	16,3	6,7	19,5	16,3							
	366	966	2,0	4,05	16,3	6,7	19,5	16							
	380	931	2,2	3,91	16,3	6,7	19,5	16							
	399	884	2,3	3,72	16,3	6,7	19,5	15,9							
	448	789	2,5	3,30	16,2	6,7	19,4	15,6							
	500	706	2,8	2,97	16,1	6,7	19,2	15,3							
	45,0	21	20380	1,0	70,38	90,1	47,9	107,7				91,3	SK 103 - 225 MP/4	1080	C89
24		17580	1,1	60,71	93,4	48,8	110,5	91,2							
28		15340	1,3	52,98	95,7	49,4	112,5	90,9							
33		13120	1,5	45,25	97,5	49,6	112,7	89,6							
39		10990	1,8	37,90	99	49,2	110,6	88,2							
50		8572	2,3	29,62	100,4	48,4	106,7	84,9							
59		7330	2,7	25,30	100,9	47,6	103,9	82,9							
70		6141	3,3	21,19	101,4	46,3	100,5	80,1							
28		28	15560	0,8	53,80	52,2	24,3	60	70,2	SK 93 - 225 MP/4	861	C87			
		32	13490	0,9	46,57	56,2	25,9	64,3	70,3						
	38	11420	1,1	39,54	59,3	27,2	67,4	70,2							
	48	9040	1,3	31,25	62,2	28,1	70,1	69							
	55	7842	1,6	27,05	63,4	28,4	70,8	68,1							
	65	6636	1,8	22,97	64,3	28,6	71	66,7							
	77	5547	2,2	19,12	65,1	28,4	70,5	64,7							
90	90	4765	2,2	16,47	64,5	28,2	70,1	63,3	SK 92 - 225 MP/4	850	C86				
	103	4155	2,6	14,36	63,2	27,8	69	61,7							
	120	3586	3,0	12,39	61,9	27,3	67,6	59,9							
46	46	9412	0,9	32,52	26,9	8,9	36,5	38,6	SK 83 - 225 MP/4	682	C85				
	53	8101	1,0	28,03	29,9	10,4	39,9	39,3							
	61	7056	1,1	24,42	32,1	11,5	42,3	39,6							
	71	6072	1,3	21,04	33,8	12,4	44,3	39,8							



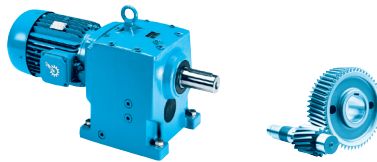
P ₁ [kW]	n ₂ [min ⁻¹]	M ₂ [Nm]	f _B	i _{ges}	F _R [kN]	F _A [kN]	F _{R VL} [kN]	F _{A VL} [kN]	Type	kg	mm 			
45,0	90	4792	1,4	16,56	35,9	13,5	46,3	39,6	SK 82 - 225 MP/4	674	C84			
	104	4134	1,6	14,29	36,4	13,8	46,6	39						
	125	3428	2,1	11,84	36,3	13,9	46,2	38						
	144	2991	2,3	10,33	36,2	14	45,9	37,3						
	168	2558	2,6	8,82	35,8	14	45,3	36,4						
	201	2142	2,9	7,39	35,2	13,8	44,3	35,3						
	239	1796	2,4	6,19	33,4	13,1	42	33,5						
	280	1536	3,1	5,29	32,7	12,9	40,8	32,5						
	72	5977	0,8	20,62	5,9	1,3	13,2	19,4	SK 73 - 225 MP/4	575	C83			
	82	5213	1,0	18,00	10	2,4	16,3	20,2						
	104	4148	1,0	14,33	14,1	4,3	21	21,5	SK 72 - 225 MP/4	565	C82			
	119	3616	1,1	12,52	15,5	4,9	22,5	21,7						
	137	3140	1,5	10,84	15,7	5	22,6	21,2						
	157	2738	1,7	9,46	16,5	5,4	23,5	21,2						
	181	2375	2,0	8,19	17,2	5,8	24,1	21,1						
	214	2010	2,1	6,95	17,7	6,1	24,5	20,9						
	231	1858	1,5	6,42	16,4	5,6	22,9	19,9						
	265	1620	1,7	5,60	16,7	5,8	23,2	19,6						
	306	1405	2,1	4,85	16,9	5,9	23,3	19,4						
	361	1189	2,2	4,12	17	6	23,2	19						
	385	1117	2,3	3,86	17	6,1	23,1	18,8						
	432	994	2,4	3,43	17	6,1	22,9	18,4						
	128	3357	0,9	11,59	12,2	4,4	13,3	16				SK 62 - 225 MP/4	496	C80
	169	2539	1,2	8,78	13,6	5,1	15,4	16,1						
	197	2185	1,4	7,56	14,4	5,6	16,6	16,3						
	281	1532	1,2	5,29	14,4	5,7	16,9	15,5						
	326	1318	1,6	4,56	14,8	5,9	17,5	15,4						
	366	1175	1,6	4,05	14,9	6,1	17,7	15,2						
380	1132	1,8	3,91	15	6,1	17,8	15,2							
399	1076	1,9	3,72	15	6,1	17,8	15,1							
448	960	2,1	3,30	15	6,2	17,9	14,9							
500	859	2,3	2,97	15	6,2	17,9	14,7							
55,0	21	24990	0,8	70,38	83,6	40,9	89,2	82,1	SK 103 - 250 WP/4	1120	C89			
	24	21560	0,9	60,71	88,8	42,6	95	83,3						
	28	18810	1,1	52,98	92,2	44	98,7	83,7						
	33	16090	1,2	45,25	95,1	44,9	101,5	83,7						
	39	13470	1,5	37,90	97,3	45,4	103,2	82,9						
	50	10510	1,9	29,62	99,3	45,3	101,9	81,2						
	58	8990	2,2	25,30	99,2	44,9	99,8	79,4						
	70	7531	2,7	21,19	97,2	44,1	97,1	77,3						
	76	6868	2,4	19,37	96,8	44,1	96,3	76,7	SK 102 - 250 WP/4	1110	C88			
	89	5896	2,9	16,63	94,6	43,1	93,6	74,5						
	38	14000	0,9	39,54	55,4	22,6	55,9	64,3	SK 93 - 250 WP/4	896	C87			
	47	11090	1,1	31,25	59,3	24,6	61,1	64,4						
	55	9617	1,3	27,05	60,2	25,3	63,1	64,1						
	65	8138	1,5	22,97	60,9	25,9	64,5	63,2						
	77	6802	1,8	19,12	60,9	26,1	65,1	61,9						
	90	5843	1,8	16,47	60,8	26,4	65,5	60,9	SK 92 - 250 WP/4	885	C86			
	103	5095	2,1	14,36	60,2	26,2	65,1	59,7						
	119	4397	2,4	12,39	59,1	25,9	64,3	58						
	141	3726	2,7	10,50	57,9	25,5	63	56,3						
	190	2758	2,2	7,78	53,6	23,6	58,4	51,9						
	221	2380	3,3	6,70	52,2	23,1	57,1	50,3						
	260	2017	3,6	5,68	50,6	22,5	55,6	48,5						
	89	5876	1,1	16,56	31,2	11,4	40,7	36,7				SK 82 - 250 WP/4	709	C84
	104	5070	1,3	14,29	32,3	12	42	36,7						
	125	4204	1,7	11,84	32,8	12,4	42,2	36						
	143	3668	1,9	10,33	33,1	12,6	42,4	35,5						
	167	3136	2,1	8,82	33,3	12,8	42,5	34,8						
	200	2627	2,4	7,39	33,1	12,9	42	33,9						
	239	2202	2,0	6,19	31,3	12,2	39,8	32,2						
	279	1883	2,5	5,29	31	12,1	39,2	31,4						
	333	1578	2,8	4,43	30,4	12	38,2	30,4						
	407	1291	3,1	3,62	29,6	11,7	36,6	29,2						
	510	1029	3,0	2,89	28,5	11,4	34,9	27,9						


75,0 kW
90,0 kW



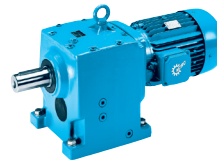
Helical Gear Units

P ₁ [kW]	n ₂ [min ⁻¹]	M ₂ [Nm]	f _B	i _{ges}	F _R [kN]	F _A [kN]	F _{R VL} [kN]	F _{A VL} [kN]	Type	kg	mm 			
75,0	28	25560	0,8	52,98	68,7	33	70,7	70	SK 103 - 280 SP/4	1280	C89			
	33	21860	0,9	45,25	77,4	35,6	78	71,9						
	39	18310	1,1	37,90	83,8	37,7	84,1	73,1						
	50	14290	1,4	29,62	89,2	39,3	88,7	73,4						
	59	12220	1,6	25,30	89,2	39,7	90,4	72,7						
	70	10230	2,0	21,19	89,1	39,8	90,3	71,9						
	77	9335	1,8	19,37	89,5	40,2	90,4	71,9				SK 102 - 280 SP/4	1280	C88
	89	8013	2,2	16,63	88,2	39,8	88,5	70,3						
	104	6890	2,4	14,29	86,4	39,3	86,5	68,8						
	125	5715	2,8	11,88	84,2	38,3	83,6	66,6						
	149	4795	3,1	9,96	81,6	37,3	80,9	64,4						
	170	4211	3,1	8,73	76,9	35,7	76,2	61,6						
	198	3621	3,1	7,50	75,5	34,6	74,7	59,5						
	238	3004	3,8	6,24	73,1	33,5	71,8	57,3						
	284	2520	4,2	5,23	70,3	32,4	69	55,1						
	48	15070	0,8	31,25	44,4	17,4	42,3	55,2	SK 93 - 280 SP/4	1070	C87			
	55	13070	0,9	27,05	47,7	19,1	47,2	56,2						
	65	11060	1,1	22,97	50,4	20,7	51,2	56,5						
	77	9245	1,3	19,12	52,3	21,8	54,3	56,3						
	93	7734	1,6	19,12	51,4	22,3	53,0	54,6						
	90	7941	1,3	16,47	53,5	22,6	56,5	56,2	SK 92 - 280 SP/4	1060	C86			
103	6924	1,6	14,36	53,8	23	57,2	55,6							
120	5976	1,8	12,39	53,7	23,1	57,5	54,5							
141	5064	2,0	10,50	53,2	23,1	57,5	53,4							
191	3749	1,6	7,78	49,5	21,6	53,7	49,3							
221	3235	2,4	6,70	48,8	21,4	52,9	48,1							
261	2741	2,6	5,68	47,7	21	52	46,6							
90	7986	0,8	16,56	21,4	7,1	29	31,2	SK 82 - 280 SP/4				879	C84	
104	6890	1,0	14,29	23,9	8,2	31,9	31,8							
125	5713	1,2	11,84	25,8	9,2	33,9	31,8							
144	4984	1,4	10,33	27	9,9	35,3	31,9							
168	4263	1,5	8,82	28,1	10,4	36,4	31,8							
201	3571	1,8	7,39	28,8	10,9	37	31,5							
239	2993	1,4	6,19	27,2	10,3	35	29,8							
280	2559	1,9	5,29	27,5	10,5	35,2	29,3							
334	2144	2,0	4,43	27,6	10,6	35	28,6							
408	1754	2,3	3,62	27,2	10,6	34,5	27,8							
512	1398	2,2	2,89	26,7	10,5	33,5	26,7							
90,0	33	26230	0,8	45,25	57,6	28,7	59,8		63	SK 103 - 280 MP/4	1380			C89
	39	21980	0,9	37,90	67,8	31,8	68,9		65,6					
	50	17140	1,2	29,62	76,9	34,8	77,3	67,7						
	59	14660	1,4	25,30	81,1	35,8	80,8	67,9						
	70	12280	1,6	21,19	82,7	36,6	82,7	67,7						
	77	11200	1,5	19,37	84,1	37,4	84,9	68,1	SK 102 - 280 MP/4	1380	C88			
	89	9616	1,8	16,63	83,4	37,4	84,6	67,2						
	104	8268	2,0	14,29	82,4	37,1	83,1	66,1						
	125	6859	2,3	11,88	80,9	36,6	80,8	64,4						
	149	5755	2,6	9,96	78,8	35,8	78,5	62,5						
	170	5053	2,6	8,73	73,8	34,2	73,7	59,7						
	182	4717	2,6	8,15	75,4	35	74,7	60,4						
	198	4345	2,6	7,50	73,1	33,4	72,7	57,9						
	238	3605	3,2	6,24	70,8	32,4	70,3	55,9						
	284	3024	3,5	5,23	68,5	31,5	67,7	53,9						
	347	2479	3,8	4,28	65,4	30,4	64,3	51,8						
	55	15680	0,8	27,05	35,5	14,5	34,6	50,2	SK 93 - 280 MP/4	1170	C87			
	65	13270	0,9	22,97	42,3	16,7	40,8	51,4						
	77	11090	1,1	19,12	45,5	18,5	45,9	52,1						
	90	9529	1,1	16,47	48	19,9	49,5	52,6	SK 92 - 280 MP/4	1160	C86			
	103	8309	1,3	14,36	49	20,5	51,1	52,4						
120	7171	1,5	12,39	49,7	21	52,4	51,8							
141	6077	1,7	10,50	49,8	21,3	53,2	51							
191	4498	1,4	7,78	46,5	20	49,9	47,3							
221	3882	2,0	6,70	46,3	20	49,8	46,4							
261	3290	2,2	5,68	45,6	19,9	49,3	45,2							
422	2037	2,7	3,51	42,6	18,9	46,6	41,2							



P ₁ [kW]	n ₂ [min ⁻¹]	M ₂ [Nm]	f _B	i _{ges}	F _R [kN]	F _A [kN]	F _{R VL} [kN]	F _{A VL} [kN]	Type	kg	mm 
110	50	20910	1,0	29,62	60,2	28,7	62	59,9	SK 103 - 315 SP/4	1480	C89
	59	17880	1,1	25,30	66,7	30,6	67,3	61,3			
	70	14980	1,3	21,19	71,8	32,2	72,1	62			
	77	13660	1,2	19,37	76,1	33,6	75,6	63,2	SK 102 - 315 SP/4	1470	C88
	90	11730	1,5	16,63	77,2	34,1	77,2	63			
	104	10080	1,6	14,29	76,9	34,3	78,2	62,5			
	126	8366	1,9	11,88	76,4	34,2	77,1	61,3			
	150	7019	2,1	9,96	75	33,9	75,4	59,9			
	170	6164	2,1	8,73	69,7	32,2	70,3	57,2			
	183	5754	2,2	8,15	72,1	33,4	72,0	58,4			
	198	5300	2,1	7,50	69,8	31,6	70,1	55,8			
	239	4397	2,6	6,24	68,1	31,1	68,1	54,1			
	285	3689	2,9	5,23	66,3	30,2	65,8	52,5			
	90	11620	0,9	16,47	40,6	16,2	39,9	47,9	SK 92 - 315 SP/4	1240	C86
	104	10140	1,1	14,36	42,5	17,3	43,1	48,3			
	120	8747	1,2	12,39	44	18,3	45,4	48,3			
	142	7412	1,4	10,50	45,2	18,9	47,3	48			
	191	5487	1,1	7,78	42,5	18	44,9	44,9			
	222	4735	1,6	6,70	42,8	18,3	45,5	44,2			
262	4013	1,8	5,68	42,6	18,4	45,8	43,3				
423	2485	2,2	3,51	40,9	17,9	44,5	40				
132	77	16370	1,0	19,37	60,1	29,6	60,4	58,3	SK 102 - 315 MP/4	1670	C88
	90	14060	1,2	16,63	68,6	30,5	68,3	58,5			
	104	12090	1,4	14,29	71,1	31,2	70,5	58,5			
	126	10030	1,6	11,88	71,2	31,7	72,1	58,1			
	150	8412	1,8	9,96	70,9	31,7	72	57,2			
	171	7387	1,8	8,73	65,2	30,0	65,1	54,4			
	183	6895	1,8	8,15	63,8	29,4	63,4	53,3			
	198	6352	1,8	7,50	66,1	29,8	67,2	53,4			
	239	5269	2,2	6,24	65,1	29,4	65,4	52,1			
	285	4421	2,4	5,23	63,9	29	63,8	50,7			
	348	3624	2,6	4,28	61,9	28,2	61,6	49			
	104	12150	0,9	14,36	32,3	13,6	30,3	42,7	SK 92 - 315 MP/4	1440	C86
	120	10480	1,0	12,39	37,8	15,1	37,3	44,5			
	142	8883	1,1	10,50	40	16,4	40,5	44,7			
	192	6575	0,9	7,78	36,7	15,7	37,1	41,1			
	222	5675	1,4	6,70	37,7	16,2	38,7	40,9			
	262	4809	1,5	5,68	38,4	16,6	39,9	40,4			
	423	2978	1,9	3,51	38,2	16,8	40,7	38,0			

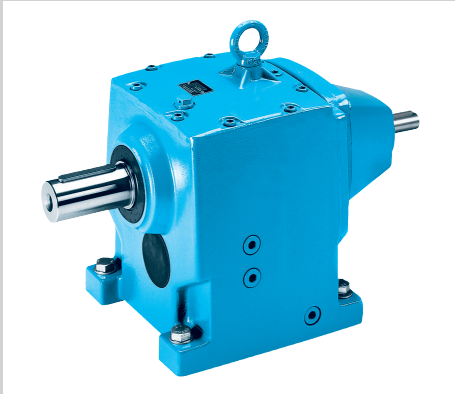
160 kW
200 kW




Helical Gear Units

P_1 [kW]	n_2 [min ⁻¹]	M_2 [Nm]	f_B	i_{ges}	F_R [kN]	F_A [kN]	$F_{R VL}$ [kN]	$F_{A VL}$ [kN]	Type	kg	mm 			
160	77	19850	0,8	19,37	45,5	24,3	46,7	51,5	SK 102 - 315 RP/4	1700	C88			
	90	17040	1,0	16,63	56	25,9	56,5	52,6						
	104	14650	1,1	14,29	60,4	27,3	60,7	53,6						
	126	12150	1,3	11,88	64,1	28,4	64	53,9						
	150	10200	1,5	9,96	65,7	29	65,8	53,7						
	171	8954	1,5	8,73	58,5	27,2	58,0	50,9						
	183	8358	1,5	8,15	63,8	29,4	63,4	53,3						
	198	7699	1,5	7,50	61,5	27,4	62,3	50,5						
	239	6387	1,8	6,24	61,2	27,5	62,3	49,6						
	285	5359	2,0	5,23	60,5	27,3	61,1	48,6						
	348	4392	2,1	4,28	59,3	26,9	59,3	47,2						
	120	12710	0,8	12,39	27,4	11,2	26,9	39,4				SK 92 - 315 RP/4	1480	C86
	142	10770	0,9	10,50	33,1	13,1	31,9	40,6						
	192	7970	0,8	7,78	30,8	12,8	29,8	37,5						
222	6878	1,1	6,70	34	13,9	34,6	38,6							
262	5829	1,2	5,68	35,3	14,7	36,6	38,6							
423	3610	1,5	3,51	36,3	15,6	38,9	37,1							
200	104	18340	0,9	14,29	44,6	21,7	46,1	46,5	SK 102 - 315 LP/4	1900	C88			
	126	15210	1,0	11,88	51,2	23,7	52	47,9						
	150	12760	1,2	9,96	55,6	25,1	55,9	48,7						
	183	10460	1,2	8,15	55,6	26,2	55,2	49,2						
	198	9636	1,2	7,50	53,8	23,9	53,8	46						
	239	7994	1,4	6,24	55,9	24,6	55,8	46						
	285	6707	1,6	5,23	55,9	24,9	56,7	45,6						
	347	5498	1,7	4,28	55,5	24,9	56,2	44,8						

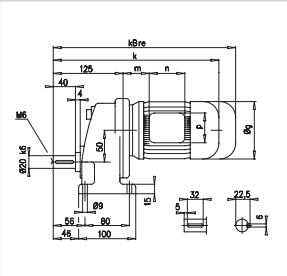
Helical Gear Units



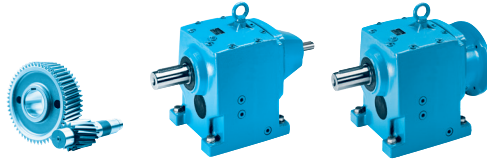
SK 02
SK 03



	i_{ges}	n_2	M_{2max}		P_{1max}		W
			$n_1 = 1400 \text{ min}^{-1}$	$n_1 = 930 \text{ min}^{-1}$	$n_1 = 1400 \text{ min}^{-1}$	$n_1 = 930 \text{ min}^{-1}$	
		$[\text{min}^{-1}]$	$[\text{Nm}]$	$[\text{Nm}]$	$[\text{kW}]$	$[\text{kW}]$	$[\text{kW}]$
SK 03	313.11	4.5	89	89	0.04	0.03	
	274.28	5.1	89	89	0.05	0.03	
W	212.47	6.6	106	106	0.07	0.05	
	170.75	8.2	106	106	0.09	0.06	
+	151.33	9.3	110	110	0.11	0.07	
IEC	124.62	11	106	106	0.12	0.08	
	104.77	13	95	95	0.13	0.09	
	81.50	17	106	106	0.19	0.12	
$\frac{mm}{inch}$ \rightarrow B89			65.90	21	110	0.24	0.16



SK 03 SK 02



	i_{ges}	n_2 $n_1 =$ 1400 min ⁻¹ [min ⁻¹]	M_{2max} $f_B = 1$ [Nm]	W			IEC $f_B \Rightarrow$ C4 - C40							
				P_{1max} $n_1 =$ 1400 min ⁻¹ [kW]	$n_1 =$ 930 min ⁻¹ [kW]	$f_B \geq 1$ $n_1 =$ 700 min ⁻¹ [kW]	IEC 63	IEC 71						
SK 03	313,11	4,5	89	0,04	0,03	0,02	*	*						
W	274,28	5,1	89	0,05	0,03	0,02	*	*						
+	170,75	8,2	108	0,07	0,05	0,04	*	*						
IEC	151,33	9,3	110	0,11	0,07	0,05	*	*						
$\frac{H}{mm}$	124,62	11	106	0,12	0,08	0,06	*	*						
\Rightarrow	104,77	13	95	0,13	0,09	0,06	*	*						
\Rightarrow	81,50	17	106	0,19	0,12	0,09	*	*						
\Rightarrow	65,50	21	110	0,24	0,16	0,12	*	*						

C92, A12

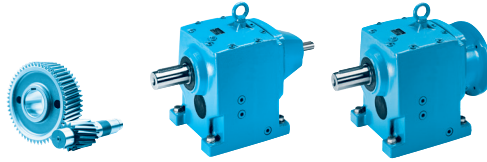
Helical Gear Units

	i_{ges}	n_2 $n_1 =$ 1400 min ⁻¹ [min ⁻¹]	M_{2max} $f_B = 1$ [Nm]	W			IEC $f_B \Rightarrow$ C4 - C40						
				P_{1max} $n_1 =$ 1400 min ⁻¹ [kW]	$n_1 =$ 930 min ⁻¹ [kW]	$f_B \geq 1$ $n_1 =$ 700 min ⁻¹ [kW]	IEC 63	IEC 71	IEC 80	IEC 90			
SK 02	73,06	19	89	0,18	0,12	0,09		*					
W	61,27	23	89	0,21	0,14	0,11		*					
+	53,68	26	89	0,24	0,16	0,12		*					
IEC	41,58	34	99	0,35	0,23	0,18		*					
$\frac{H}{mm}$	33,42	42	96	0,42	0,28	0,21			*				
\Rightarrow	29,61	47	92	0,45	0,30	0,23			*				
\Rightarrow	27,52	51	87	0,46	0,31	0,23			*				
\Rightarrow	24,39	57	89	0,53	0,35	0,27			*				
\Rightarrow	23,13	61	78	0,50	0,33	0,25							
\Rightarrow	20,59	68	74	0,53	0,35	0,26			*	*			
C92, A12	15,95	88	72	0,66	0,44	0,33			*	*			
	12,82	109	70	0,80	0,53	0,40				*			
	11,27	124	67	0,87	0,57	0,43				*			
	9,95	141	64	0,94	0,62	0,47				*			
	9,28	151	65	1,03	0,68	0,51				*			
	8,19	171	63	1,13	0,74	0,56				*			
	7,80	179	63	1,18	0,78	0,59				*			
	6,89	203	61	1,30	0,86	0,65				*			
	6,10	230	57	1,37	0,91	0,68				*			
	5,57	251	57	1,50	0,99	0,75							
	4,82	290	57	1,50	0,99	0,75							
	4,22	332	52	1,50	0,99	0,75							
	3,89	360	53	1,50	0,99	0,75							
	3,38	414	51	1,50	0,99	0,75							
	2,95	475	46	1,50	0,99	0,75							

* \Rightarrow A63

	W	IEC 63	IEC 71	IEC 80	IEC 90
SK 03	16	17	18	-	-
SK 02	12	13	14	17	17

SK 12 SK 11E

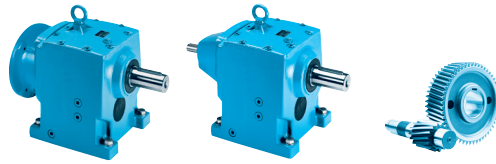


Helical Gear Units

	i_{ges}	n_2 $n_1 =$ 1400 min ⁻¹ [min ⁻¹]	M_{2max} $f_B = 1$ [Nm]	W			IEC $f_B \Rightarrow$ C4 - C40									
				P_{1max} $n_1 =$ 1400 min ⁻¹ [kW]	$n_1 =$ 930 min ⁻¹ [kW]	$f_B \geq 1$ $n_1 =$ 700 min ⁻¹ [kW]	IEC 63	IEC 71	IEC 80	IEC 90	IEC 100	IEC 112				
SK 12	72,63	19	139	0,28	0,18	0,14		*								
	61,35	23	154	0,37	0,24	0,19										
	53,84	26	176	0,48	0,32	0,24										
W	47,87	29	177	0,54	0,35	0,27				*	*					
+	43,09	32	162	0,54	0,36	0,27										
IEC	38,31	37	184	0,71	0,47	0,36					*					
$\frac{H}{mm}$	35,07	40	149	0,62	0,41	0,31										
\Rightarrow C92, A12	31,19	45	165	0,78	0,51	0,39					*					
	29,15	48	124	0,62	0,41	0,31										
	21,28	66	137	0,77	0,51	0,39					*					
	18,79	75	167	1,15	0,76	0,58					*					
	16,73	84	154	1,35	0,89	0,68						*	*			
	13,39	105	149	1,64	1,08	0,82						*	*			
	10,70	131	134	1,84	1,21	0,92						*	*			
	9,65	145	135	2,05	1,35	1,02						*	*			
	7,85	178	131	2,44	1,61	1,22						*	*			
	7,28	192	124	2,49	1,65	1,25								*		
	6,53	214	126	2,82	1,86	1,41								*		
	5,79	242	122	3,09	2,04	1,55								*		
	4,93	284	116	3,45	2,28	1,72								*		
	4,49	312	118	3,86	2,54	1,93										
	4,32	324	112	3,80	2,51	1,90										
	3,98	352	114	4,00	2,64	2,00										
	3,39	413	109	4,00	2,64	2,00										
	2,96	473	105	4,00	2,64	2,00										
SK 11E	9,11	154	23	0,37	0,24	0,19										
	8,10	173	30	0,54	0,36	0,27										
W	3,60	389	42	1,71	1,13	0,86				*						
+	3,18	440	40	1,84	1,22	0,92										
IEC	2,83	495	54	2,80	1,85	1,40					*	*				
$\frac{H}{mm}$	2,32	603	48	3,00	1,98	1,50								*		
\Rightarrow C92, A12	2,04	686	58	3,00	1,98	1,50								*		
	1,81	773	55	3,00	1,98	1,50								*		
	1,54	909	50	3,00	1,98	1,50								*		
	1,35	1037	50	3,00	1,98	1,50								*		

* \Rightarrow C40 A63

$\frac{H}{mm}$	W	IEC 63	IEC 71	IEC 80	IEC 90	IEC 100	IEC 112
SK 12	14	15	16	19	19	26	26
SK 11E	10	11	12	15	15	22	22



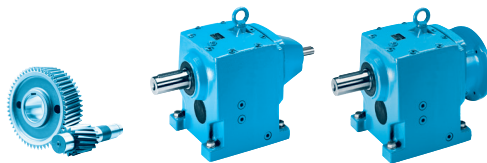
	i_{ges}	n_2 $n_1 =$ 1400 min ⁻¹ [min ⁻¹]	M_{2max} $f_B = 1$ [Nm]	W			IEC $f_B \Rightarrow$ C4 - C40						
				P_{1max} $n_1 =$ 1400 min ⁻¹ [kW]	$n_1 =$ 930 min ⁻¹ [kW]	$f_B \geq 1$ $n_1 =$ 700 min ⁻¹ [kW]	IEC 63	IEC 71	IEC 80	IEC 90			
SK 22/02 W + IEC mm IEC C92, A12	2534,45	0,55	340	0,06	0,04	0,03	*	*					
	2125,46	0,66	340	0,06	0,04	0,03	*	*					
	1780,46	0,79	340	0,07	0,04	0,03	*	*					
	1442,41	0,97	340	0,07	0,05	0,04	*	*					
	1159,34	1,2	340	0,08	0,05	0,04	*	*					
	881,66	1,6	340	0,10	0,06	0,05	*	*	*	*			
	682,98	2,0	340	0,11	0,07	0,06	*	*	*	*			
	553,31	2,5	340	0,13	0,09	0,06	*	*	*	*			
	444,73	3,1	340	0,15	0,10	0,08	*	*	*	*			
	345,17	4,1	340	0,19	0,12	0,09		*	*	*			
	284,11	4,9	340	0,21	0,14	0,11		*	*	*			
	239,01	5,9	340	0,25	0,17	0,13		*	*	*			
	167,21	8,4	340	0,34	0,22	0,17		*	*	*			
	134,94	10	340	0,40	0,26	0,20			*	*			
117,25	12	340	0,47	0,31	0,23			*	*				
SK 23 W + IEC mm IEC C92, A12	516,65	2,7	274	0,08	0,05	0,04	*	*					
	417,95	3,3	340	0,12	0,08	0,06	*	*					
	323,70	4,3	340	0,15	0,10	0,08	*	*					
	262,24	5,3	340	0,19	0,12	0,09		*					
	217,73	6,4	340	0,23	0,15	0,11		*					
	179,50	7,8	312	0,25	0,17	0,13		*					
	151,44	9,2	294	0,28	0,19	0,14		*					
	124,17	11	340	0,39	0,26	0,20			*	*			
	100,60	14	340	0,50	0,33	0,25			*	*			
	88,45	16	340	0,57	0,38	0,28			*	*			
	78,05	18	340	0,64	0,42	0,32			*	*			
	64,80	22	340	0,75	0,50	0,38			*	*			

* \Rightarrow A63

Helical Gear Units

kg	W	IEC 63	IEC 71	IEC 80	IEC 90
SK 22/02	35	36	37	40	40
SK 23	31	32	33	36	36

SK 22 SK 21E

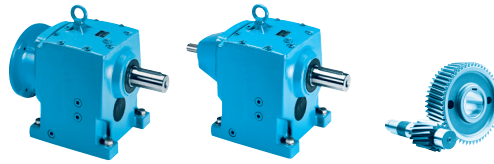


	i_{ges}	n_2 $n_1 =$ 1400 min ⁻¹ [min ⁻¹]	M_{2max} $f_B = 1$ [Nm]	W			IEC						
				P_{1max} $n_1 =$ 1400 min ⁻¹	P_{1max} $n_1 =$ 930 min ⁻¹	$f_B \geq 1$ $n_1 =$ 700 min ⁻¹	$f_B \Rightarrow$ C4 - C40						
							[kW]	[kW]	[kW]	IEC 71	IEC 80	IEC 90	IEC 100
SK 22	86,30	16	250	0,42	0,28	0,21		*					
	55,28	25	320	0,84	0,55	0,42			*				
	45,90	31	292	0,95	0,63	0,47			*				
W	42,82	33	340	1,17	0,78	0,59			*				
+	35,55	39	330	1,35	0,89	0,67			*				
IEC	34,69	40	340	1,42	0,94	0,71			*	*	*		
$\frac{H}{mm}$	29,31	48	292	1,47	0,97	0,73			*				
\Rightarrow C93, A12	28,80	49	374	1,92	1,27	0,96			*	*	*		
	24,73	57	246	1,47	0,97	0,73			*				
	23,74	59	326	2,01	1,33	1,01			*	*	*		
	20,03	70	285	2,09	1,38	1,04			*	*	*		
	16,75	84	339	2,98	1,97	1,49			*	*	*		
	14,69	95	337	3,35	2,21	1,68			*	*	*		
	12,20	115	329	3,96	2,61	1,98			*	*	*		
	10,89	129	317	4,00	2,64	2,00			*	*	*		
	8,48	165	259	4,00	2,64	2,00			*	*	*		
	7,57	185	246	4,00	2,64	2,00			*	*	*		
	6,86	204	255	4,00	2,64	2,00			*	*	*		
	6,51	215	228	4,00	2,64	2,00			*	*	*		
	5,79	242	215	4,00	2,64	2,00			*	*	*		
	5,18	270	159	4,00	2,64	2,00			*	*	*		
	4,62	303	150	4,00	2,64	2,00			*	*	*		
	3,97	353	139	4,00	2,64	2,00			*	*	*		
	3,53	397	131	4,00	2,64	2,00			*	*	*		
	2,79	502	115	4,00	2,64	2,00			*	*	*		

	i_{ges}	n_2 $n_1 =$ 1400 min ⁻¹ [min ⁻¹]	M_{2max} $f_B = 1$ [Nm]	W			IEC						
				P_{1max} $n_1 =$ 1400 min ⁻¹	P_{1max} $n_1 =$ 930 min ⁻¹	$f_B \geq 1$ $n_1 =$ 700 min ⁻¹	$f_B \Rightarrow$ C4 - C40						
							[kW]	[kW]	[kW]	IEC 71	IEC 80	IEC 90	IEC 100
SK 21E	10,20	137	40	0,57	0,38	0,29		*	*				
	7,90	177	60	1,11	0,73	0,56		*	*				
	6,40	219	65	1,49	0,98	0,75		*	*	*	*		
W	4,60	304	56	1,78	1,18	0,89			*	*	*		
+	3,67	381	68	2,71	1,79	1,36			*	*	*		
IEC	3,09	453	62	2,94	1,94	1,47			*	*	*		
$\frac{H}{mm}$	2,71	517	77	4,00	2,64	2,00			*	*	*		
\Rightarrow C93, A12	2,42	579	73	4,00	2,64	2,00			*	*	*		
	2,08	673	68	4,00	2,64	2,00			*	*	*		
	1,85	757	64	4,00	2,64	2,00			*	*	*		
	1,46	959	60	4,00	2,64	2,00			*	*	*		

* \Rightarrow A63

$\frac{H}{mm}$	W	IEC 71	IEC 80	IEC 90	IEC 100	IEC 112
SK 22	29	27	31	31	35	35
SK 21E	22	20	24	24	28	28



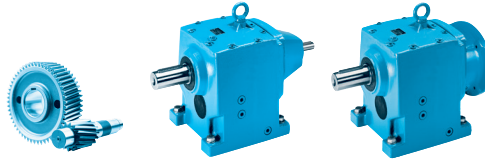
	i_{ges}	n_2 $n_1 =$ 1400 min ⁻¹ [min ⁻¹]	M_{2max} $f_B = 1$ [Nm]	W			IEC $f_B \Rightarrow$ C4 - C40							
				P_{1max} $n_1 =$ 1400 min ⁻¹	$n_1 =$ 930 min ⁻¹	$f_B \geq 1$ $n_1 =$ 700 min ⁻¹	IEC 63	IEC 71	IEC 80	IEC 90	IEC 100	IEC 112		
SK 32/12	2704,02	0,52	620	0,07	0,05	0,04	*	*						
	2004,46	0,70	620	0,09	0,06	0,04	*	*						
	1604,24	0,87	620	0,10	0,06	0,05	*	*						
W	1305,66	1,1	620	0,11	0,07	0,06	*	*						
+	1080,05	1,3	620	0,12	0,08	0,06	*	*	*	*				
IEC	869,04	1,6	620	0,14	0,09	0,07	*	*	*	*				
	699,55	2,0	620	0,17	0,11	0,08	*	*	*	*				
$\frac{1}{mm}$	554,68	2,5	620	0,20	0,13	0,10	*	*	*	*	*	*		
	446,31	3,1	620	0,24	0,16	0,12	*	*	*	*	*	*		
\Rightarrow $\frac{1}{mm}$	363,06	3,9	620	0,29	0,19	0,15	*	*	*	*	*	*		
C92, A12	267,79	5,2	620	0,38	0,25	0,19	*	*	*	*	*	*		
	215,56	6,5	620	0,46	0,30	0,23	*	*	*	*	*	*		
	167,16	8,4	620	0,59	0,39	0,29	*	*	*	*	*	*		
	148,18	9,4	620	0,65	0,43	0,33	*	*	*	*	*	*		
	126,21	11	620	0,75	0,50	0,38	*	*	*	*	*	*		
	82,39	17	620	1,10	0,73	0,55	*	*	*	*	*	*		

	i_{ges}	n_2 $n_1 =$ 1400 min ⁻¹ [min ⁻¹]	M_{2max} $f_B = 1$ [Nm]	W			IEC $f_B \Rightarrow$ C4 - C40							
				P_{1max} $n_1 =$ 1400 min ⁻¹	$n_1 =$ 930 min ⁻¹	$f_B \geq 1$ $n_1 =$ 700 min ⁻¹	IEC 63	IEC 71	IEC 80	IEC 90	IEC 100	IEC 112		
SK 33N	740,37	1,9	570	0,11	0,07	0,06	*	*						
	662,81	2,1	560	0,12	0,08	0,06	*	*						
W	585,41	2,4	634	0,16	0,11	0,08	*	*						
+	524,08	2,7	672	0,19	0,13	0,09	*	*						
IEC	421,32	3,3	672	0,23	0,15	0,12	*	*						
	339,15	4,1	651	0,28	0,18	0,14	*	*						
$\frac{1}{mm}$	248,17	5,6	672	0,39	0,26	0,20	*	*						
	207,10	6,8	672	0,48	0,32	0,24	*	*						
\Rightarrow $\frac{1}{mm}$	166,49	8,4	672	0,59	0,39	0,30	*	*						
C92, A12	134,02	10	651	0,68	0,45	0,34	*	*						
	112,18	12	548	0,69	0,45	0,34	*	*						
	88,18	16	537	0,90	0,59	0,45	*	*	*	*	*	*		

* \Rightarrow $\frac{1}{mm}$ A63

$\frac{1}{kg}$	W	IEC 63	IEC 71	IEC 80	IEC 90	IEC 100	IEC 112
SK 32/12	40	49	50	53	53	60	60
SK 33N	27	44	45	48	48	55	55

SK 32 SK 31E



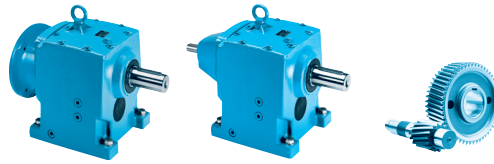
Helical Gear Units

	i_{ges}	n_2 $n_1 = 1400 \text{ min}^{-1}$ [min^{-1}]	M_{2max} $f_B = 1$ [Nm]	W			IEC $f_B \Rightarrow \text{C4 - C40}$								
				P_{1max} $n_1 = 1400 \text{ min}^{-1}$ [kW]	P_{1max} $n_1 = 930 \text{ min}^{-1}$ [kW]	$f_B \geq 1$ $n_1 = 700 \text{ min}^{-1}$ [kW]	$f_B \Rightarrow \text{C4 - C40}$								
							IEC 71	IEC 80	IEC 90	IEC 100	IEC 112	IEC 132			
SK 32	81,27	17	515	0,92	0,61	0,46			*						
	72,76	19	560	1,11	0,74	0,56			*						
	64,26	22	640	1,47	0,97	0,74			*						
W	57,53	24	613	1,54	1,02	0,77									
+	46,31	30	533	1,67	1,11	0,84									
IEC	46,25	30	672	2,11	1,39	1,06				*	*				
$\frac{H}{mm}$	38,76	36	446	1,68	1,11	0,84									
\Rightarrow	37,23	38	589	2,34	1,55	1,17				*	*				
C93, A12	33,05	42	380	1,67	1,10	0,84									
	31,16	45	512	2,41	1,59	1,21				*	*				
	30,43	46	639	3,08	2,03	1,54					*				
	27,24	51	602	3,21	2,12	1,61					*				
	26,57	53	436	2,42	1,60	1,21				*	*				
	23,12	61	630	4,02	2,66	2,01									
	20,70	68	658	4,69	3,09	2,34									
	18,67	75	631	4,96	3,27	2,48									
	16,66	84	530	4,66	3,08	2,33									
	16,25	86	639	5,75	3,80	2,88								*	
	15,03	93	508	4,95	3,27	2,47									
	14,55	96	672	6,76	4,46	3,38								*	
	11,71	120	710	8,92	5,89	4,46								*	
	9,80	143	647	9,20	6,07	4,60									
	7,90	177	655	9,20	6,07	4,60									
	6,74	208	604	9,20	6,07	4,60									
	5,70	246	604	9,20	6,07	4,60									
	5,50	255	448	9,20	6,07	4,60									
	5,28	265	639	9,20	6,07	4,60									
	4,43	316	463	9,20	6,07	4,60									
	3,75	373	459	9,20	6,07	4,60									
	2,96	473	436	9,20	6,07	4,60									

	i_{ges}	n_2 $n_1 = 1400 \text{ min}^{-1}$ [min^{-1}]	M_{2max} $f_B = 1$ [Nm]	W			IEC $f_B \Rightarrow \text{C4 - C40}$								
				P_{1max} $n_1 = 1400 \text{ min}^{-1}$ [kW]	P_{1max} $n_1 = 930 \text{ min}^{-1}$ [kW]	$f_B \geq 1$ $n_1 = 700 \text{ min}^{-1}$ [kW]	$f_B \Rightarrow \text{C4 - C40}$								
							IEC 71	IEC 80	IEC 90	IEC 100	IEC 112	IEC 132			
SK 31E	10,20	137	90	1,29	0,85	0,65			*						
	8,20	171	105	1,88	1,24	0,94				*	*				
	4,83	290	98	2,98	1,96	1,49				*	*				
W	3,67	381	110	4,39	2,90	2,19									
+	3,31	423	105	4,65	3,07	2,33									
IEC	2,58	543	185	9,20	6,07	4,60									
$\frac{H}{mm}$	2,08	673	165	9,20	6,07	4,60									
\Rightarrow	1,76	795	150	9,20	6,07	4,60									
C93, A12	1,39	1007	143	9,20	6,07	4,60									

* \Rightarrow A63

	W	IEC 71	IEC 80	IEC 90	IEC 100	IEC 112	IEC 132
SK 32	40	38	42	42	46	46	55
SK 31E	27	25	29	29	33	33	42

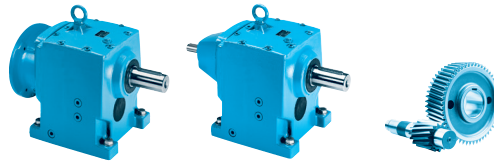


	i_{ges}	n_2 $n_1 = 1400 \text{ min}^{-1}$ [min^{-1}]	M_{2max} $f_B = 1$ [Nm]	W			IEC $f_B \Rightarrow \text{C4} - \text{C40}$								
				P_{1max} $n_1 = 1400 \text{ min}^{-1}$ [kW]	P_{1max} $n_1 = 930 \text{ min}^{-1}$ [kW]	$f_B \geq 1$ $n_1 = 700 \text{ min}^{-1}$ [kW]	IEC 63	IEC 71	IEC 80	IEC 90	IEC 100	IEC 112			
SK 42/12	2560,21	0,55	1200	0,11	0,07	0,05	*	*							
	2163,20	0,65	1200	0,12	0,08	0,06	*	*							
	1561,55	0,90	1200	0,15	0,10	0,08	*	*							
	W	1393,38	1,0	1200	0,17	0,11	0,08	*	*						
	+	1114,65	1,3	1200	0,20	0,13	0,10		*						
	IEC	750,33	1,9	1200	0,28	0,18	0,14		*	*	*				
	$\frac{H}{mm}$	670,81	2,1	1200	0,30	0,20	0,15		*	*	*				
	\Rightarrow	550,73	2,5	1200	0,35	0,23	0,18		*	*	*				
	C92, A12	433,49	3,2	1200	0,44	0,29	0,22			*	*	*	*		
		346,53	4,0	1200	0,54	0,36	0,27			*	*	*	*	*	
		276,92	5,1	1200	0,68	0,45	0,34			*	*	*	*	*	
		230,05	6,1	1200	0,77	0,51	0,38			*	*	*	*	*	
		169,00	8,3	1200	1,04	0,69	0,52			*	*	*	*	*	
		140,40	10	1200	1,26	0,83	0,63			*	*	*	*	*	
		116,20	12	1200	1,51	1,00	0,75			*	*	*	*	*	
	87,73	16	1200	2,01	1,33	1,01			*	*	*	*	*		

	i_{ges}	n_2 $n_1 = 1400 \text{ min}^{-1}$ [min^{-1}]	M_{2max} $f_B = 1$ [Nm]	W			IEC $f_B \Rightarrow \text{C4} - \text{C40}$								
				P_{1max} $n_1 = 1400 \text{ min}^{-1}$ [kW]	P_{1max} $n_1 = 930 \text{ min}^{-1}$ [kW]	$f_B \geq 1$ $n_1 = 700 \text{ min}^{-1}$ [kW]	IEC 63	IEC 71	IEC 80	IEC 90	IEC 100	IEC 112			
SK 43	1071,82	1,3	960	0,13	0,09	0,07		*	*	*					
	868,02	1,6	860	0,14	0,10	0,07		*	*	*					
	W	764,03	1,8	1031	0,19	0,13	0,10		*	*	*				
	+	618,76	2,3	1112	0,27	0,18	0,13		*	*	*				
	IEC	528,37	2,6	990	0,27	0,18	0,13		*	*	*				
	$\frac{H}{mm}$	421,11	3,3	1186	0,41	0,27	0,20			*	*				
	\Rightarrow	359,59	3,9	1286	0,53	0,35	0,26			*	*				
	C92, A12	298,80	4,7	1118	0,55	0,36	0,28			*	*				
		278,51	5,0	1279	0,67	0,44	0,33			*	*				
		263,93	5,3	1267	0,70	0,46	0,35			*	*				
		231,43	6	1116	0,70	0,46	0,35			*	*				
		219,32	6,4	1200	0,80	0,53	0,40			*	*				
		204,42	6,8	1289	0,92	0,61	0,46			*	*				
		182,76	7,7	1017	0,82	0,54	0,41			*	*				
		169,86	8,2	1166	1,00	0,66	0,50			*	*				
		141,55	9,9	1053	1,09	0,72	0,55			*	*				
		129,38	11	1240	1,43	0,94	0,71			*	*	*	*		
		107,51	13	1116	1,52	1,00	0,76			*	*	*	*		
		94,96	15	1240	1,95	1,29	0,97			*	*	*	*		
		79,96	18	1230	2,32	1,53	1,16			*	*	*	*		
		70,12	20	1260	2,64	1,74	1,32			*	*	*	*		
		58,27	24	1166	2,93	1,93	1,47			*	*	*	*		
		48,56	29	1045	3,17	2,09	1,59			*	*	*	*		
	40,98	34	1041	3,71	2,45	1,85			*	*	*	*			

* \Rightarrow A63

kg	W	IEC 63	IEC 71	IEC 80	IEC 90	IEC 100	IEC 112
SK 42/12	65	66	67	70	70	77	77
SK 43	70	-	68	72	72	76	76

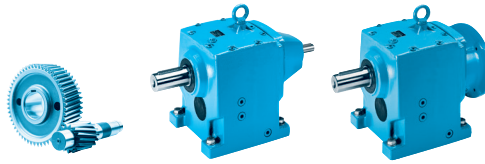


	i_{ges}	n_2 $n_1 =$ 1400 min ⁻¹ [min ⁻¹]	M_{2max} $f_B = 1$ [Nm]	W			IEC $f_B \Rightarrow$ C4 - C40							
				P_{1max} $n_1 =$ 1400 min ⁻¹ [kW]	$n_1 =$ 930 min ⁻¹ [kW]	$f_B \geq 1$ $n_1 =$ 700 min ⁻¹ [kW]	IEC 63	IEC 71	IEC 80	IEC 90	IEC 100	IEC 112		
SK 52/12	2632,78	0,53	1830	0,14	0,09	0,07	*	*						
	2107,10	0,66	1830	0,17	0,11	0,08	*	*						
	1714,92	0,82	1830	0,20	0,13	0,10		*						
	W	1425,44	0,98	1830	0,23	0,15	0,11		*					
	+	1144,36	1,2	1830	0,27	0,18	0,13		*	*	*			
	IEC	918,83	1,5	1830	0,33	0,22	0,16		*	*	*			
	mm	689,41	2,0	1830	0,42	0,28	0,21			*	*			
		542,09	2,6	1830	0,54	0,36	0,27			*	*			
	A12	491,28	2,8	1830	0,58	0,38	0,29			*	*	*	*	
		354,06	4,0	1830	0,77	0,51	0,38				*	*	*	*
	C92, A12	283,13	4,9	1830	0,94	0,62	0,47				*	*	*	*
		219,56	6,4	1830	1,23	0,81	0,61				*	*	*	*
		194,62	7,2	1830	1,38	0,91	0,69				*	*	*	*
		146,03	9,6	1830	1,84	1,21	0,92				*	*	*	*
124,38		11	1830	2,11	1,39	1,05				*	*	*	*	
97,80		14	1830	2,68	1,77	1,34				*	*	*	*	
SK 53	728,20	1,9	1595	0,32	0,21	0,16			*	*				
	607,30	2,3	1882	0,45	0,30	0,23			*	*				
	W	548,89	2,6	1911	0,52	0,34	0,26			*	*			
	+	498,82	2,8	1920	0,56	0,37	0,28			*	*			
	IEC	392,20	3,6	1823	0,69	0,45	0,34			*	*			
	mm	374,25	3,7	1920	0,74	0,49	0,37			*	*			
	mm	294,26	4,8	2227	1,12	0,74	0,56				*			
		245,56	5,7	1859	1,11	0,73	0,55				*			
	A12	236,21	5,9	1920	1,19	0,78	0,59				*	*	*	
		185,72	7,5	1820	1,43	0,94	0,71				*	*	*	*
	C93, A12	177,22	7,9	1920	1,59	1,05	0,79				*	*	*	*
		139,34	10	2232	2,34	1,54	1,17				*	*	*	*
		105,87	13	2224	3,03	2,00	1,51				*	*	*	*
		95,49	15	2231	3,50	2,31	1,75				*	*	*	*
79,69		18	1862	3,51	2,32	1,75				*	*	*	*	
65,35		21	1920	4,00	2,64	2,00				*	*	*	*	
58,94		24	1920	4,00	2,64	2,00				*	*	*	*	

* \Rightarrow A63

kg	W	IEC 63	IEC 71	IEC 80	IEC 90	IEC 100	IEC 112
SK 52/12	94	65	96	99	99	106	106
SK 53	103	-	101	105	105	109	109

SK 52 SK 51E

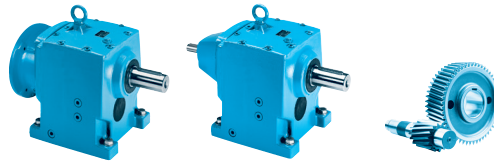


	i_{ges}	n_2 $n_1 =$ 1400 min ⁻¹ [min ⁻¹]	M_{2max} $f_B = 1$ [Nm]	W			IEC $f_B \Rightarrow$ C4 - C40									
				P_{1max} $n_1 =$ 1400 min ⁻¹ [kW]	$n_1 =$ 930 min ⁻¹ [kW]	$f_B \geq 1$ $n_1 =$ 700 min ⁻¹ [kW]	IEC 90	IEC 100	IEC 112	IEC 132	AI 160	AI 180				
SK 52	86,92	16	1721	2,88	1,90	1,44		*	*							
	78,56	18	1596	3,01	1,99	1,50			*							
	71,39	20	1588	3,33	2,19	1,66			*							
W	59,54	24	1893	4,76	3,14	2,38					*					
+	53,81	26	1911	5,20	3,43	2,60					*					
IEC, AI	48,90	29	1920	5,83	3,85	2,92					*					
	40,37	35	1911	7,00	4,62	3,50					*					
$\frac{H}{mm}$	38,45	36	1668	6,29	4,15	3,14					*					
	36,03	39	1394	5,69	3,76	2,85										
\Rightarrow C94, A12	36,69	38	1920	7,64	5,04	3,82					*					
	32,56	43	1260	5,67	3,74	2,84					*					
	32,09	44	1393	6,42	4,24	3,21					*					
	28,85	49	2024	10,38	6,85	5,19										
	26,46	53	1893	10,51	6,93	5,25						*				
	24,07	58	1689	10,26	6,77	5,13										
	23,92	59	1911	11,81	7,79	5,90						*				
	21,68	65	1893	12,88	8,50	6,44						*				
	19,60	71	1911	14,21	9,38	7,10						*				
	17,81	79	1920	15,88	10,48	7,94										
	14,00	100	1920	20,10	13,27	10,05										
	13,45	104	1851	20,16	13,30	10,08								*		
	10,58	132	1761	22,00	14,52	11,00										
	8,83	159	1676	22,00	14,52	11,00										
	7,27	193	1565	22,00	14,52	11,00										
	6,42	218	1498	22,00	14,52	11,00										
	5,60	250	1170	22,00	14,52	11,00										
	4,61	304	1195	22,00	14,52	11,00										
	4,08	343	1127	22,00	14,52	11,00										
	3,67	381	1057	22,00	14,52	11,00										
	3,40	412	1009	22,00	14,52	11,00										
	3,23	433	959	22,00	14,52	11,00										
	2,78	504	888	22,00	14,52	11,00										

							IEC 90	IEC 100	IEC 112	IEC 132	AI 160	AI 180
SK 51E	13,27	106	290	3,22	2,12	1,61			*			
	9,09	154	320	5,16	3,41	2,58				*		
	6,82	205	400	8,59	5,67	4,29				*		
W	5,50	255	220	5,87	3,88	2,94						
+	4,04	347	410	14,90	9,83	7,45					*	
IEC, AI	3,31	423	492	21,79	14,38	10,90						
$\frac{H}{mm}$	2,86	490	456	22,00	14,52	11,00						
	2,50	560	426	22,00	14,52	11,00						
\Rightarrow C94, A12	2,06	680	382	22,00	14,52	11,00						
	1,82	769	341	22,00	14,52	11,00						
	1,64	854	325	22,00	14,52	11,00						
	1,52	921	310	22,00	14,52	11,00						
	1,44	972	305	22,00	14,52	11,00						
	1,24	1129	275	22,00	14,52	11,00						

 * \Rightarrow A63

kg	W	IEC 90	IEC 100	IEC 112	IEC 132	AI 160	AI 180
SK 52	94	89	96	96	110	109	109
SK 51E	55	50	57	57	71	70	70



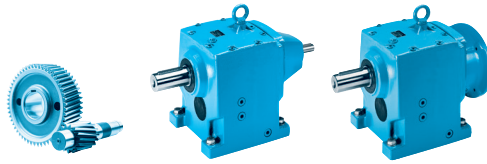
	i_{ges}	n_2 $n_1 =$ 1400 min ⁻¹ [min ⁻¹]	M_{2max} $f_B = 1$ [Nm]	W			IEC $f_B \Rightarrow$ C4 - C40							
				P_{1max} $n_1 =$ 1400 min ⁻¹ [kW]	$n_1 =$ 930 min ⁻¹ [kW]	$f_B \geq 1$ $n_1 =$ 700 min ⁻¹ [kW]	IEC 63	IEC 71	IEC 80	IEC 90				
SK 63/23	13304,45	0,11	3200	0,08	0,05	0,04	*	*						
	11045,44	0,13	3200	0,08	0,06	0,04	*	*						
	8150,78	0,17	3200	0,10	0,06	0,05	*	*						
W	6683,37	0,21	3200	0,11	0,07	0,06	*	*	*	*				
+	5393,14	0,26	3200	0,13	0,08	0,06	*	*	*	*				
IEC	4369,06	0,32	3200	0,15	0,10	0,07	*	*	*	*				
	3389,71	0,41	3200	0,18	0,12	0,09		*	*	*				
$\frac{mm}{mm}$	2814,26	0,50	3200	0,21	0,14	0,10		*	*	*				
\Rightarrow	2161,10	0,65	3200	0,26	0,17	0,13		*	*	*				
C92, A12	1676,63	0,84	3200	0,32	0,21	0,16		*	*	*				
	1408,77	0,99	3200	0,37	0,25	0,19			*	*				
	1064,04	1,3	3200	0,48	0,31	0,24			*	*				

	i_{ges}	n_2 $n_1 =$ 1400 min ⁻¹ [min ⁻¹]	M_{2max} $f_B = 1$ [Nm]	W			IEC $f_B \Rightarrow$ C4 - C40							
				P_{1max} $n_1 =$ 1400 min ⁻¹ [kW]	$n_1 =$ 930 min ⁻¹ [kW]	$f_B \geq 1$ $n_1 =$ 700 min ⁻¹ [kW]	IEC 63	IEC 71	IEC 80	IEC 90	IEC 100	IEC 112		
SK 63/22	849,73	1,6	3200	0,58	0,38	0,29			*	*	*	*		
	727,45	1,9	3200	0,68	0,45	0,34			*	*	*	*		
	552,45	2,5	3200	0,84	0,55	0,42			*	*	*	*		
W	430,19	3,3	3200	1,11	0,73	0,55			*	*	*	*		
+	368,29	3,8	3200	1,27	0,84	0,64			*	*	*	*		
IEC	282,73	5,0	3200	1,68	1,11	0,84			*	*	*	*		
	224,97	6,2	3200	2,08	1,37	1,04			*	*	*	*		
$\frac{mm}{mm}$	172,85	8,1	3200	2,71	1,79	1,36			*	*	*	*		
\Rightarrow	153,31	9,1	3200	3,05	2,01	1,52			*	*	*	*		
C93, A12														

* \Rightarrow A63

	W	IEC 63	IEC 71	IEC 80	IEC 90	IEC 100	IEC 112
SK 62/23	160	161	162	165	165	-	-
SK 63/22	158	-	156	160	160	164	164

SK 63 SK 62



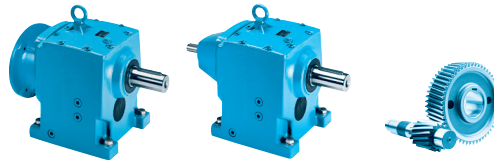
Helical Gear Units

	i_{ges}	n_2 $n_1 = 1400 \text{ min}^{-1}$ [min^{-1}]	M_{2max} $f_B = 1$ [Nm]	W			IEC $f_B \Rightarrow$ C4 - C40												
				P_{1max} $n_1 = 1400 \text{ min}^{-1}$ [kW]	$n_1 = 930 \text{ min}^{-1}$ [kW]	$f_B \geq 1$ $n_1 = 700 \text{ min}^{-1}$ [kW]	IEC	IEC	IEC	IEC	AI	AI							
							90	100	112	132	160	180							
SK 63	372,21	3,8	3200	1,27	0,84	0,64	*												
	300,34	4,7	3200	1,57	1,04	0,79													
	265,32	5,3	3640	2,02	1,33	1,01		*	*										
W	214,10	6,5	3640	2,48	1,64	1,24		*	*										
+	180,57	7,8	3660	2,99	1,97	1,49		*	*	*									
IEC, AI	145,71	9,6	3700	3,72	2,45	1,86			*	*									
$\frac{H}{mm}$	132,54	11	3700	4,26	2,81	2,13				*									
\Rightarrow C94, A12	107,89	13	3650	4,97	3,28	2,48													
	106,95	13	3700	5,04	3,32	2,52				*									
	87,06	16	3200	5,36	3,54	2,68													
	77,46	18	3700	6,97	4,60	3,49					*	*							
	62,87	22	3670	8,45	5,58	4,23				*	*								
	53,82	26	3700	10,07	6,65	5,04					*								
	50,73	28	3700	10,85	7,16	5,42					*								
	43,43	32	3680	12,33	8,14	6,17					*								
	36,11	39	3690	15,07	9,95	7,53													
	30,91	45	3590	16,92	11,16	8,46													
	26,28	53	3200	17,76	11,72	8,88											*		
	21,98	64	3200	21,45	14,15	10,72											*		
	20,77	67	3200	22,00	14,52	11,00													
	17,37	81	3200	22,00	14,52	11,00													

	i_{ges}	n_2 $n_1 = 1400 \text{ min}^{-1}$ [min^{-1}]	M_{2max} $f_B = 1$ [Nm]	P_{1max} $n_1 = 1400 \text{ min}^{-1}$ [kW]	$n_1 = 930 \text{ min}^{-1}$ [kW]	$f_B \geq 1$ $n_1 = 700 \text{ min}^{-1}$ [kW]	IEC $f_B \Rightarrow$ C4 - C40												
							IEC 90	IEC 100	IEC 112	IEC 132	AI 160	AI 180	AI 200	AI 225					
SK 62	48,73	29	2510	7,62	5,03	3,81													
	37,05	38	3010	11,98	7,90	5,99				*									
	18,14	77	3077	24,81	16,37	12,40					*	*							
W	15,80	89	3004	28,00	18,48	14,00													
+	13,92	101	3080	32,57	21,50	16,29													*
IEC, AI	11,59	121	3077	38,99	25,73	19,49													*
$\frac{H}{mm}$	10,55	133	3093	43,08	28,43	21,54													*
\Rightarrow C95, A12	8,78	159	3012	45,00	29,70	22,50													
	7,56	185	3120	45,00	29,70	22,50													
	6,35	220	1930	44,46	29,34	22,23													
	5,29	265	1882	45,00	29,70	22,50													
	4,56	307	2081	45,00	29,70	22,50													
	4,05	346	1885	45,00	29,70	22,50													
	3,91	358	2009	45,00	29,70	22,50													
	3,72	376	2030	45,00	29,70	22,50													
	3,30	424	1980	45,00	29,70	22,50													
	2,97	471	1960	45,00	29,70	22,50													

* \Rightarrow A63

kg	W	IEC 90	IEC 100	IEC 112	IEC 132	AI 160	AI 180	AI 200	AI 225
SK 63	149	144	151	151	165	164	164	-	-
SK 62	171	-	159	159	172	186	186	200	215

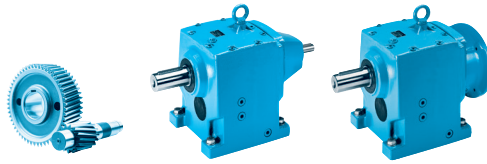


	i_{ges}	n_2 $n_1 = 1400 \text{ min}^{-1}$ [min^{-1}]	M_{2max} $f_B = 1$ [Nm]	W			IEC $f_B \Rightarrow \text{C4 - C40}$																																									
				P_{1max} $n_1 = 1400 \text{ min}^{-1}$ [kW]	$f_B \geq 1$ $n_1 = 930 \text{ min}^{-1}$ [kW]	$f_B \geq 1$ $n_1 = 700 \text{ min}^{-1}$ [kW]																																										
							IEC 63	IEC 71	IEC 80	IEC 90	IEC 100	IEC 112																																				
SK 73/22	3436,53	0,41	5000	0,25	0,17	0,13		*	*	*																																						
	2775,11		5000	0,30	0,20	0,15		*	*	*																																						
	2194,44		5000	0,38	0,25	0,19			*	*																																						
	W + IEC	1772,08	0,79	5000	0,45	0,30	0,23		*	*																																						
	$\text{H} \text{---} \text{H}$	1254,07	1,1	5000	0,62	0,41	0,31			*	*	*	*																																			
	mm	1099,84	1,3	5000	0,72	0,48	0,36			*	*	*	*																																			
	\Rightarrow	888,16	1,6	5000	0,84	0,55	0,42			*	*	*	*																																			
	C93, A12	737,61	1,9	5000	0,99	0,66	0,50			*	*	*	*																																			
		566,77	2,5	5000	1,31	0,86	0,65			*	*	*	*																																			
		457,68	3,1	5000	1,62	1,07	0,81				*	*	*																																			
		345,90	4,0	5000	2,09	1,38	1,05				*	*	*																																			
		279,33	5,0	5000	2,62	1,73	1,31				*	*	*																																			
							<table border="1"> <thead> <tr> <th>IEC 63</th> <th>IEC 71</th> <th>IEC 80</th> <th>IEC 90</th> <th>IEC 100</th> <th>IEC 112</th> <th>IEC 132</th> </tr> </thead> <tbody> <tr> <td></td> <td></td> <td></td> <td></td> <td></td> <td>*</td> <td>*</td> </tr> <tr> <td></td> <td></td> <td></td> <td></td> <td></td> <td></td> <td>*</td> </tr> <tr> <td></td> <td></td> <td></td> <td></td> <td></td> <td></td> <td>*</td> </tr> <tr> <td></td> <td></td> <td></td> <td></td> <td></td> <td></td> <td>*</td> </tr> </tbody> </table>							IEC 63	IEC 71	IEC 80	IEC 90	IEC 100	IEC 112	IEC 132						*	*							*							*							*
IEC 63	IEC 71	IEC 80	IEC 90	IEC 100	IEC 112	IEC 132																																										
					*	*																																										
						*																																										
						*																																										
						*																																										
SK 73/32	226,73	6,2	5000	3,25	2,14	1,62						*	*																																			
W + IEC	171,23	8,2	5000	4,29	2,83	2,15							*																																			
$\text{H} \text{---} \text{H}$	141,11	9,9	5000	5,18	3,42	2,59							*																																			
mm	124,65	11	5000	5,76	3,80	2,88							*																																			
\Rightarrow																																																
C93, A12																																																

* \Rightarrow A63

	W	IEC 63	IEC 71	IEC 80	IEC 90	IEC 100	IEC 112	IEC 132
SK 73/22	239	-	237	241	241	245	245	-
SK 73/32	250	-	-	-	252	256	256	265

SK 73 SK 72



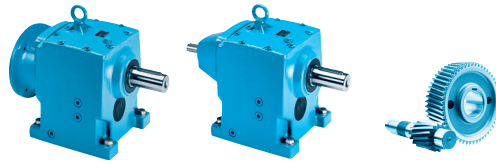
Helical Gear Units

	i_{ges}	n_2 $n_1 =$ 1400 min ⁻¹ [min ⁻¹]	M_{2max} $f_B = 1$ [Nm]	W			IEC $f_B \Rightarrow$ C4 - C40									
				P_{1max} $n_1 =$ 1400 min ⁻¹ [kW]	$n_1 =$ 930 min ⁻¹ [kW]	$f_B \geq 1$ $n_1 =$ 700 min ⁻¹ [kW]	$f_B \Rightarrow$ C4 - C40									
							IEC 100	IEC 112	IEC 132	AI 160	AI 180	AI 200	AI 225			
SK 73	205,61	6,8	5330	3,80	2,50	1,90		*	*							
	166,03	8,4	5630	4,95	3,27	2,48			*							
	124,57	11	5620	6,47	4,27	3,24			*	*						
W	124,41	11	5000	5,76	3,80	2,88			*							
+	100,46	14	4000	5,68	3,87	2,93			*							
IEC, AI	91,38	15	5330	8,37	5,53	4,19			*							
	74,87	19	5330	10,60	7,00	5,30				*	*					
$\frac{H}{mm}$	60,46	23	5650	13,61	8,98	6,80				*	*					
	52,24	27	5560	15,72	10,37	7,86					*					
\Rightarrow C95, A12	45,66	31	5370	17,43	11,50	8,72					*	*	*	*		
	37,63	37	5000	19,37	12,79	9,69					*	*	*	*		
	33,24	42	5000	21,99	14,51	10,99					*	*	*	*		
	28,32	49	5000	25,65	16,93	12,83						*	*	*		
	23,34	60	5000	31,41	20,73	15,71									*	
	20,62	68	5000	35,60	23,50	17,80									*	
	18,00	78	5000	40,84	26,95	20,42									*	

	i_{ges}	n_2 $n_1 =$ 1400 min ⁻¹ [min ⁻¹]	M_{2max} $f_B = 1$ [Nm]	W			IEC $f_B \Rightarrow$ C4 - C40									
				P_{1max} $n_1 =$ 1400 min ⁻¹ [kW]	$n_1 =$ 930 min ⁻¹ [kW]	$f_B \geq 1$ $n_1 =$ 700 min ⁻¹ [kW]	$f_B \Rightarrow$ C4 - C40									
							IEC 100	IEC 112	IEC 132	AI 160	AI 180	AI 200	AI 225			
SK 72	43,71	32	4050	13,57	8,96	6,79					*	*				
	33,04	42	3217	14,15	9,34	7,07					*	*				
	28,63	49	4053	20,80	13,71	10,40					*	*	*			
W	21,64	65	4492	30,57	20,18	15,29						*	*			
+	21,72	64	4053	27,16	17,93	13,58						*	*			
IEC, AI	16,86	83	4053	35,23	23,25	17,61									*	
	14,33	98	4053	41,59	27,45	20,80									*	
$\frac{H}{mm}$	12,52	112	4053	47,53	31,37	23,77										
	10,84	129	4677	55,00	36,30	27,50										
\Rightarrow C95, A12	9,46	148	4708	55,00	36,30	27,50										
	8,19	171	4657	55,00	36,30	27,50										
	6,95	201	4292	55,00	36,30	27,50										
	6,42	218	2770	55,00	36,30	27,50										
	5,60	250	2831	55,00	36,30	27,50										
	4,85	289	2910	55,00	36,30	27,50										
	4,12	340	2673	55,00	36,30	27,50										
	3,86	363	2589	55,00	36,30	27,50										
	3,43	408	2423	55,00	36,30	27,50										
	3,26	429	2333	55,00	36,30	27,50										
	2,76	507	2135	55,00	36,30	27,50										

* \Rightarrow A63

kg	W	IEC 100	IEC 112	IEC 132	AI 160	AI 180	AI 200	AI 225
SK 73	250	238	238	251	265	265	276	293
SK 72	240	-	-	241	255	255	266	283



	i_{ges}	n_2 $n_1 =$ 1400 min ⁻¹ [min ⁻¹]	M_{2max} $f_B = 1$ [Nm]	W			IEC $f_B \Rightarrow$ C4 - C40							
				P_{1max} $n_1 =$ 1400 min ⁻¹ [kW]	$n_1 =$ 930 min ⁻¹ [kW]	$f_B \geq 1$ $n_1 =$ 700 min ⁻¹ [kW]	IEC 63	IEC 71	IEC 80	IEC 90	IEC 100	IEC 112	IEC 132	
SK 83/32	3560,53	0,39	8000	0,37	0,24	0,18			*	*				
W	2866,13	0,49	8000	0,45	0,30	0,23			*	*				
+	2045,46	0,68	8000	0,61	0,40	0,30			*	*				
IEC	1687,12	0,83	8000	0,74	0,49	0,37			*	*	*	*		
$\frac{mm}{mm}$	1155,49	1,2	8000	0,84	0,55	0,42				*	*	*		
\Rightarrow A63	900,50	1,6	8000	1,01	0,66	0,50				*	*	*		
C94, A12	724,73	1,9	8000	1,34	0,88	0,67				*	*	*	*	
			8000	1,59	1,05	0,80				*	*	*	*	

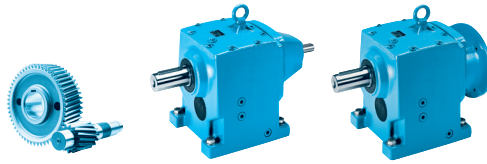
	i_{ges}	n_2 $n_1 =$ 1400 min ⁻¹ [min ⁻¹]	M_{2max} $f_B = 1$ [Nm]	W			IEC $f_B \Rightarrow$ C4 - C40							
				P_{1max} $n_1 =$ 1400 min ⁻¹ [kW]	$n_1 =$ 930 min ⁻¹ [kW]	$f_B \geq 1$ $n_1 =$ 700 min ⁻¹ [kW]	IEC 63	IEC 71	IEC 80	IEC 90	IEC 100	IEC 112	IEC 132	AI 160
SK 83/42	525,40	2,7	8000	2,26	1,49	1,13					*	*	*	*
W	437,84	3,2	8000	2,68	1,77	1,34				*	*	*	*	*
+	374,99	3,7	8000	3,10	2,05	1,55				*	*	*	*	*
IEC, AI	275,58	5,1	8000	4,27	2,82	2,14						*	*	*
$\frac{mm}{mm}$	235,92	5,9	8000	4,94	3,26	2,47						*	*	*
\Rightarrow A63	200,37	7,0	8000	5,86	3,87	2,93						*	*	*
C94, A12	148,94	9,4	8000	7,87	5,20	3,94						*	*	*
	126,50	11	8000	9,21	6,08	4,61						*	*	*

* \Rightarrow A63

Helical Gear Units

kg	W	IEC 63	IEC 71	IEC 80	IEC 90	IEC 100	IEC 112	IEC 132	AI 160
SK 83/32	357	-	355	359	359	363	363	372	-
SK 83/42	382	-	-	-	377	384	384	398	397

SK 83 SK 82



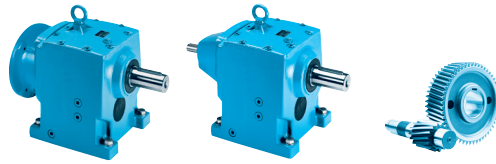
Helical Gear Units

	i_{ges}	n_2 $n_1 =$ 1400 min ⁻¹ [min ⁻¹]	M_{2max} $f_B = 1$ [Nm]	W			IEC												
				P_{1max}		$f_B \geq 1$ $n_1 =$ 700 min ⁻¹	$f_B \Rightarrow$ C4 - C40												
				$n_1 =$ 1400 min ⁻¹	$n_1 =$ 930 min ⁻¹		IEC 100	IEC 112	IEC 132	AI 160	AI 180	AI 200	AI 225						
SK 83	216,61	6,5	8890	6,05	3,99	3,03			*										
	164,70	8,5	8930	7,95	5,25	3,97			*	*	*								
	136,78	10	7380	7,73	5,10	3,86			*										
W	104,00	13	9180	12,50	8,25	6,25				*	*								
+	80,62	17	8980	15,99	10,55	7,99					*								
IEC, AI	70,24	20	8960	18,76	12,38	9,38					*								
	61,89	23	9000	21,68	14,31	10,84					*	*	*						
	51,51	27	8930	25,25	16,66	12,62						*	*	*					
	44,38	32	8890	29,79	19,66	14,89							*	*					
	39,08	36	9000	33,93	22,39	16,96								*	*				
C95, A12	32,52	43	8550	38,50	25,41	19,25									*	*			
	28,03	50	8130	42,57	28,09	21,28									*	*			
	24,42	57	8000	45,00	29,70	22,50													
	21,04	67	8000	45,00	29,70	22,50													

	i_{ges}	n_2 $n_1 =$ 1400 min ⁻¹ [min ⁻¹]	M_{2max} $f_B = 1$ [Nm]	W			IEC												
				P_{1max}		$f_B \geq 1$ $n_1 =$ 700 min ⁻¹	$f_B \Rightarrow$ C4 - C40												
				$n_1 =$ 1400 min ⁻¹	$n_1 =$ 930 min ⁻¹		IEC 100	IEC 112	IEC 132	AI 160	AI 180	AI 200	AI 225	AI 250	AI 280				
SK 82	48,82	29	5320	16,15	10,66	8,08						*							
	40,45	35	4144	15,19	10,02	7,59						*							
	32,12	44	6591	30,37	20,04	15,18													
W	26,62	53	6357	35,28	23,28	17,64													
+	26,48	53	6591	36,58	24,14	18,29									*				
IEC, AI	21,94	64	7246	48,56	32,05	24,28													
	16,56	85	6579	58,56	38,65	29,28													
	14,29	98	6581	67,53	44,57	33,77													*
	11,84	118	7135	75,00	49,50	37,50													*
	10,33	136	6866	75,00	49,50	37,50													*
C96, A12	8,82	159	6569	75,00	49,50	37,50													*
	7,39	189	6256	75,00	49,50	37,50													*
	6,19	226	4304	75,00	49,50	37,50													*
	5,29	265	4784	75,00	49,50	37,50													*
	4,43	316	4344	75,00	49,50	37,50													*
	3,62	387	3950	75,00	49,50	37,50													*
	2,89	484	3127	75,00	49,50	37,50													*

* A63

	W	IEC 100	IEC 112	IEC 132	AI 160	AI 180	AI 200	AI 225	AI 250	AI 280
SK 83	357	345	345	358	372	372	383	400	-	-
SK 82	424	-	-	350	364	364	375	392	454	454



	i_{ges}	n_2 $n_1 =$ 1400 min ⁻¹ [min ⁻¹]	M_{2max} $f_B = 1$ [Nm]	W			IEC $f_B \Rightarrow$ C4 - C40							
				P_{1max}		$f_B \geq 1$	$f_B \Rightarrow$ C4 - C40							
				$n_1 =$ 1400 min ⁻¹	$n_1 =$ 930 min ⁻¹	$n_1 =$ 700 min ⁻¹	IEC 71	IEC 80	IEC 90	IEC 100	IEC 112	IEC 132	AI 160	
SK 93/42	1641,59	0,85	12200	1,09	0,72	0,54				*	*	*		
	1298,54	1,1	12200	1,41	0,93	0,70			*	*	*			
W	1091,47	1,3	12200	1,66	1,10	0,83			*	*	*	*	*	*
+	813,46	1,7	12200	2,17	1,43	1,09			*	*	*	*	*	*
IEC, AI	756,82	1,8	12200	2,30	1,52	1,15			*	*	*	*	*	*
$\frac{H}{mm}$	548,76	2,6	12200	3,32	2,19	1,66				*	*	*	*	*
\Rightarrow	457,30	3,1	12200	3,96	2,61	1,98				*	*	*	*	*
	333,02	4,2	12200	5,37	3,54	2,68					*	*	*	*
C94, A12	287,83	4,9	12200	6,26	4,13	3,13					*	*	*	*
	239,74	5,8	12200	7,41	4,89	3,70					*	*	*	*
	181,16	7,7	12200	9,84	6,49	4,92					*	*	*	*

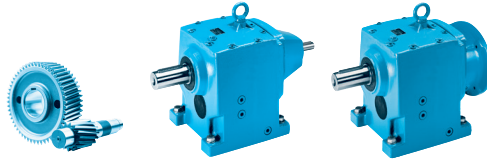
	i_{ges}	n_2 $n_1 =$ 1400 min ⁻¹ [min ⁻¹]	M_{2max} $f_B = 1$ [Nm]	W			IEC $f_B \Rightarrow$ C4 - C40							
				P_{1max}		$f_B \geq 1$	$f_B \Rightarrow$ C4 - C40							
				$n_1 =$ 1400 min ⁻¹	$n_1 =$ 930 min ⁻¹	$n_1 =$ 700 min ⁻¹	IEC 71	IEC 80	IEC 90	IEC 100	IEC 112	IEC 132	AI 160	AI 180
SK 93/52	161,32	8,7	12200	11,11	7,34	5,56							*	*
	127,50	11	12200	14,05	8,27	7,03							*	*
W	106,25	13	12200	16,61	10,96	8,30							*	*
+													*	*
IEC, AI													*	*
$\frac{H}{mm}$													*	*
\Rightarrow													*	*
C94, A12													*	*

* \Rightarrow A63

Helical Gear Units

	W	IEC 71	IEC 80	IEC 90	IEC 100	IEC 112	IEC 132	AI 160	AI 180
SK 93/42	561	-	-	556	563	563	577	576	-
SK 93/52	590	-	-	-	592	592	606	605	605

SK 93 SK 92



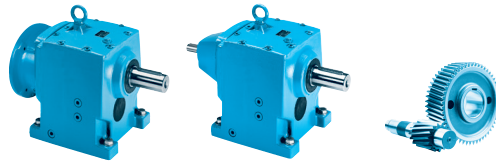
Helical Gear Units

	i_{ges}	n_2 $n_1 = 1400 \text{ min}^{-1}$ [min^{-1}]	M_{2max} $f_B = 1$ [Nm]	W			IEC $f_B \Rightarrow$ C4 - C40										
				P_{1max} $n_1 = 1400 \text{ min}^{-1}$ [kW]	$n_1 = 930 \text{ min}^{-1}$ [kW]	$f_B \geq 1$ $n_1 = 700 \text{ min}^{-1}$ [kW]	IEC 132	AI 160	AI 180	AI 200	AI 225	AI 250	AI 280				
SK 93	187,89	7,5	13980	10,98	7,25	5,49		*	*								
	123,05	11	13950	16,07	10,60	8,03			*	*							
	109,14	13	11560	15,74	10,39	7,87			*	*							
W	93,34	15	14000	21,99	14,51	10,99			*	*							
+	72,47	19	13400	26,66	17,60	13,33			*	*							
IEC, AI	61,63	23	12700	30,59	20,19	15,29			*	*							
	53,80	26	12250	33,35	22,01	16,68			*	*	*						
	46,57	30	12200	38,32	25,29	19,16			*	*	*	*					
	39,54	35	12200	44,71	29,51	22,36			*	*	*	*					
	31,25	45	12200	57,49	37,94	28,74											*
C96, A12	27,05	52	12200	66,43	43,84	33,21											*
	22,97	61	12200	75,00	49,50	37,50											*
	19,12	73	12200	75,00	49,50	37,50											*

	IEC 132	AI 160	AI 180	AI 200	AI 225	AI 250	AI 280	AI 315
SK 92								
W								
+								
IEC, AI								*
								*
								*
								*
C96, A12								*

* A63

	W	IEC 132	AI 160	AI 180	AI 200	AI 225	AI 250	AI 280	AI 315
SK 93	536	537	551	551	562	479	641	641	-
SK 92	575	528	540	540	551	568	630	630	746

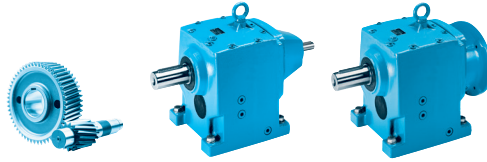


	i_{ges}	n_2 $n_1 = 1400 \text{ min}^{-1}$ [min^{-1}]	M_{2max} $f_B = 1$ [Nm]	W			IEC $f_B \Rightarrow$ C4 - C40							
				P_{1max}		$f_B \geq 1$	IEC		AI		AI			
				$n_1 = 1400 \text{ min}^{-1}$	$n_1 = 930 \text{ min}^{-1}$	$n_1 = 700 \text{ min}^{-1}$	IEC 71	IEC 80	IEC 90	IEC 100	IEC 112	IEC 132	AI 160	AI 180
SK 103/52	2037,08	0,69	20000	1,45	0,95	0,72				*	*	*		
	1701,72	0,82	20000	1,72	1,13	0,86				*	*	*		
W + IEC, AI 	1412,72	0,99	20000	2,07	1,37	1,04				*	*			
	1148,61	1,2	20000	2,51	1,66	1,26				*	*	*	*	
	943,57	1,5	20000	3,14	2,07	1,57					*	*	*	
	816,55	1,7	20000	3,56	2,35	1,78				*	*	*	*	*
	642,31	2,2	20000	4,61	3,04	2,30					*	*	*	*
	467,81	3,0	20000	6,28	4,15	3,14					*	*	*	*
	340,13	4,1	20000	8,59	5,67	4,29					*	*	*	*
	296,69	4,7	20000	9,84	6,50	4,92						*	*	*
	244,77	5,7	20000	11,94	7,88	5,97						*	*	*
	184,62	7,6	20000	15,92	10,50	7,96							*	*
	154,63	9,1	20000	19,06	12,58	9,53								*
	122,42	11	20000	22,00	14,52	11,00								
	105,36	13	20000	22,00	14,52	11,00								

* A63

	W	IEC 71	IEC 80	IEC 90	IEC 100	IEC 112	IEC 132	AI 160	AI 180
SK 103/52	809	-	-	804	811	811	825	824	824

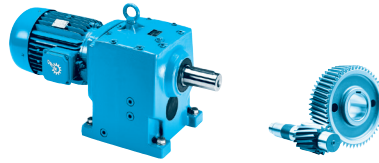
SK 103 SK 102



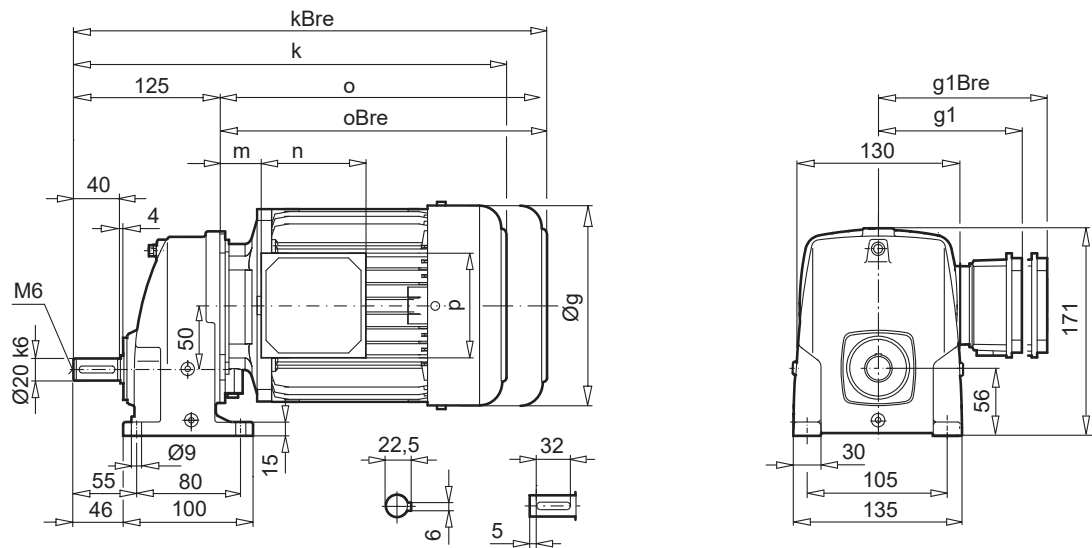
	i_{ges}	n_2 $n_1 = 1400 \text{ min}^{-1}$ [min^{-1}]	M_{2max} $f_B = 1$ [Nm]	W			IEC $f_B \Rightarrow$ C4 - C40											
				P_{1max}		$f_B \geq 1$	$f_B \Rightarrow$ C4 - C40											
				$n_1 = 1400 \text{ min}^{-1}$	$n_1 = 930 \text{ min}^{-1}$	$n_1 = 700 \text{ min}^{-1}$	IEC 132	AI 160	AI 180	AI 200	AI 225	AI 250	AI 280	AI 315				
SK 103	207,47	6,7	23160	16,25	10,72	8,12			*									
	136,51	10	23000	24,08	15,90	12,04				*								
	112,53	12	23160	29,10	19,21	14,55				*	*							
W	81,40	17	20500	36,49	24,08	18,25				*								
+	70,38	20	20000	41,88	27,64	20,94				*	*							
IEC, AI	60,71	23	20000	48,17	31,79	24,08					*	*	*					*
$\frac{H}{mm}$	52,98	26	20000	54,45	35,94	27,23					*	*	*					*
$\frac{H}{mm}$	45,25	31	20000	64,92	42,85	32,46							*	*	*			*
\Rightarrow A63	37,90	37	20000	77,49	51,14	38,74								*	*	*		*
C96, A12	29,62	47	20000	98,43	64,96	49,21												*
	25,30	55	20000	110,00	72,60	55,00												*
	21,19	66	20000	110,00	72,60	55,00												*
SK 102	38,81	36	16059	60,54	39,95	30,27												
	19,37	72	16808	126,72	83,64	63,36												
	16,63	84	17367	152,76	100,82	76,38												*
W	14,29	98	16620	170,55	112,82	85,28												*
+	11,88	118	15773	194,89	128,63	97,45												*
IEC, AI	9,96	141	15004	200,00	132,00	100,00												
$\frac{H}{mm}$	7,50	187	11270	200,00	132,00	100,00												
$\frac{H}{mm}$	6,24	224	11491	200,00	132,00	100,00												
\Rightarrow A63	5,23	268	10602	200,00	132,00	100,00												
C96, A12	4,28	327	9387	200,00	132,00	100,00												

* \Rightarrow A63

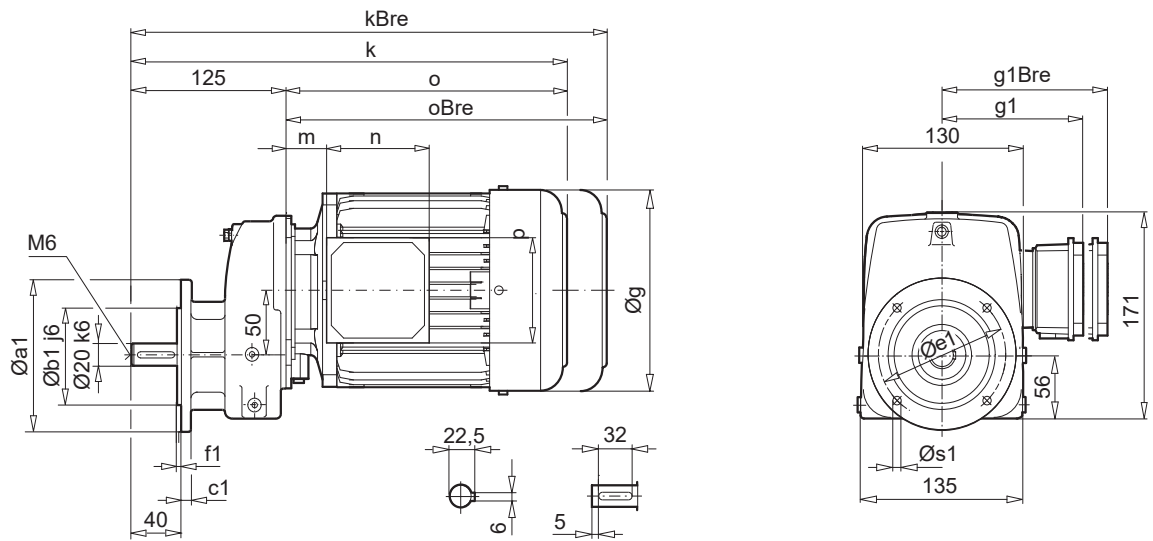
$\frac{H}{mm}$	W	IEC 132	AI 160	AI 180	AI 200	AI 225	AI 250	AI 280	AI 315
SK 103	830	756	770	770	781	798	860	860	976
SK 102	821	-	-	-	-	-	851	851	967



SK 11E



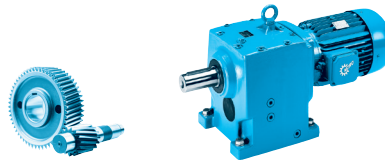
SK 11EF



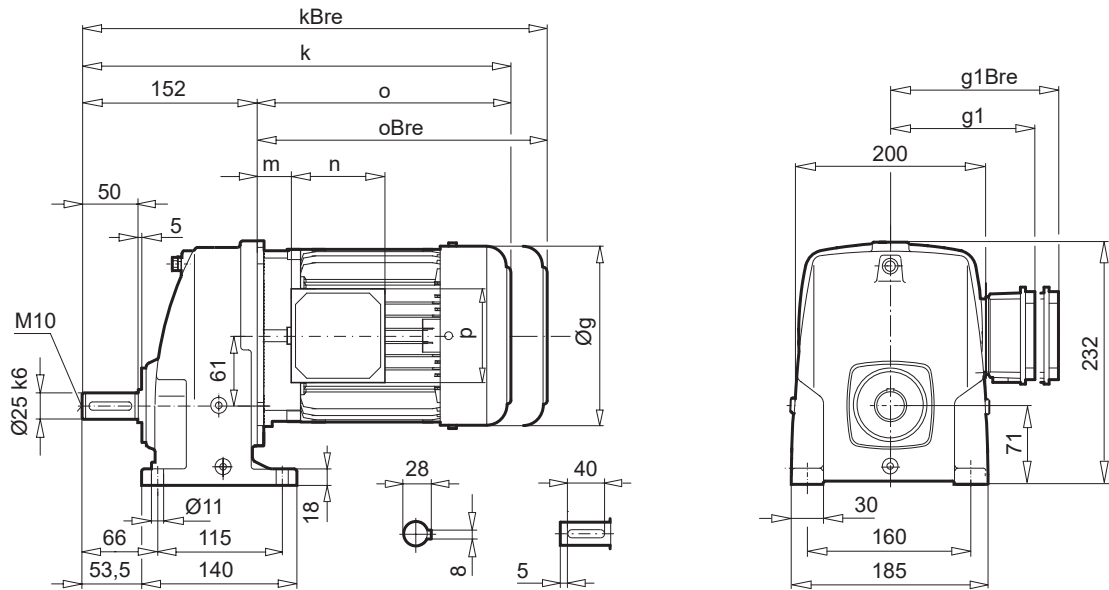
a1	b1	c1	e1	f1	s1
120	80	10	100	3,0	7
140	95	10	115	3,0	9

⇒ A61	63 S/L	71 S/L	80 SH	80 LP	90 SP/LP	100 LP/AP	112 MP	C92 A12
g	130	145	165	165	183	201	228	
g1 / g1Bre	115 / 123	124 / 132	142 / 142	142 / 142	147 / 147	169 / 173	179 / 182	
k / kBre	321 / 377	361 / 419	386 / 450	386 / 450	427 / 502	457 / 548	505 / 598	
o / oBre	196 / 252	236 / 294	261 / 325	261 / 325	302 / 377	332 / 423	380 / 473	
m / mBre	16 / 22	42 / 47	47 / 51	47 / 51	52 / 56	58 / 62	74 / 78	
n / nBre	100 / 134	100 / 134	114 / 153	114 / 153	114 / 153	114 / 153	114 / 153	
p / pBre	100 / 89	100 / 89	114 / 108	114 / 108	114 / 108	114 / 108	114 / 108	

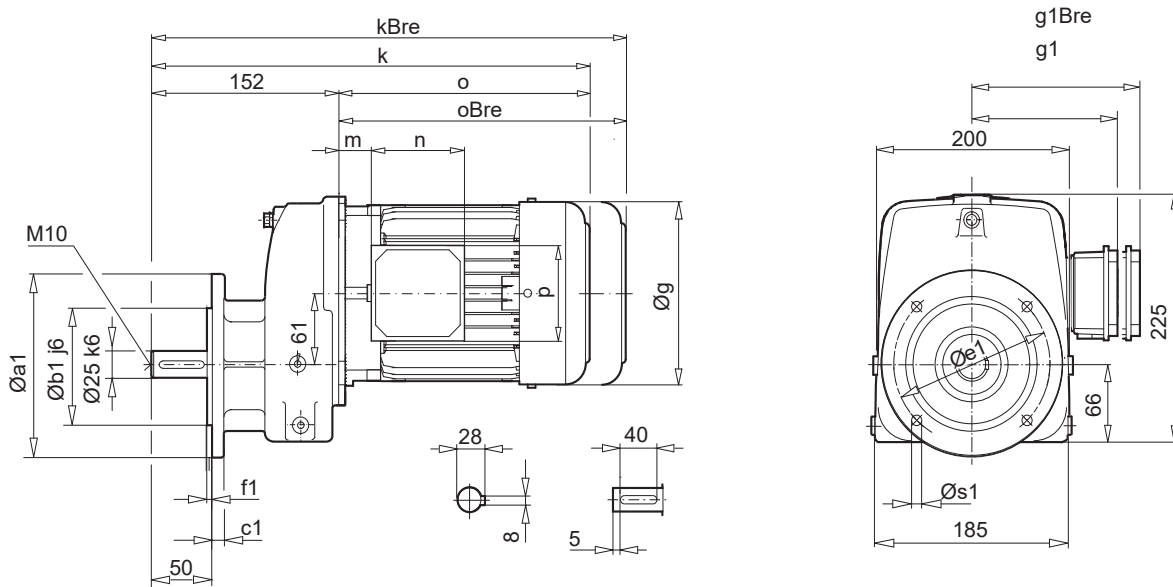
SK 21E SK 21EF



SK 21E





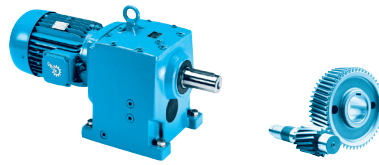
SK 21EF



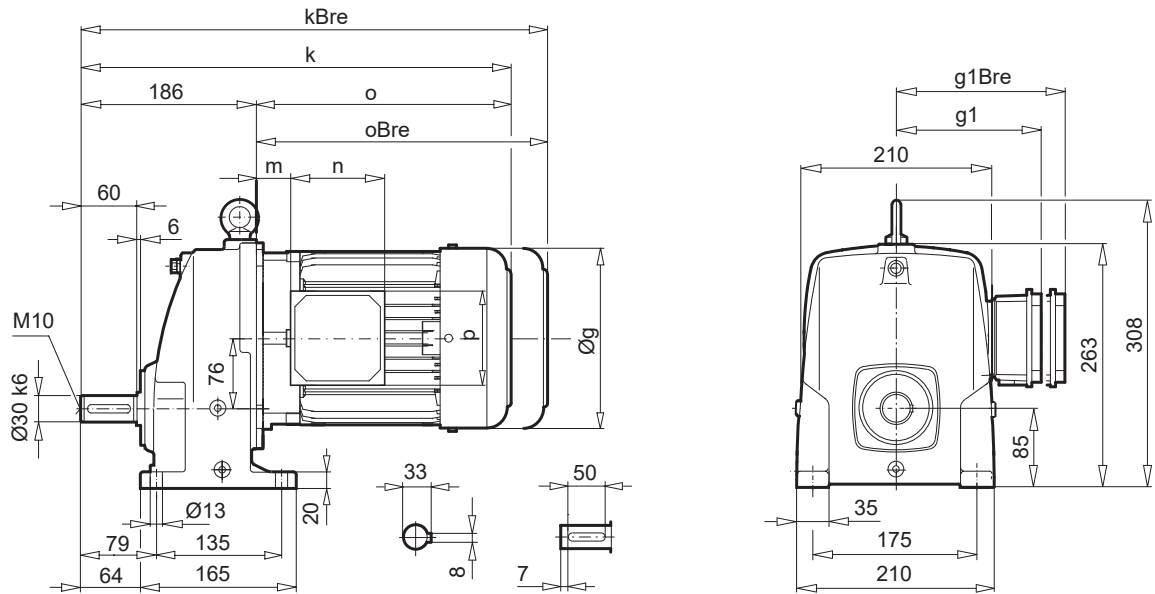
a1	b1	c1	e1	f1	s1
140	95	10	115	3,0	9
160	110	10	130	3,5	9

⇒ A61	90 LP	100 LP/AP	112 MP				
g	183	201	228				
g1 / g1Bre	147 / 147	169 / 173	179 / 182				
k / kBre	448 / 523	478 / 569	526 / 619				
o / oBre	296 / 371	326 / 417	374 / 467				
m / mBre	46 / 50	52 / 56	68 / 72				
n / nBre	114 / 153	114 / 153	114 / 153				
p / pBre	114 / 108	114 / 108	114 / 108				

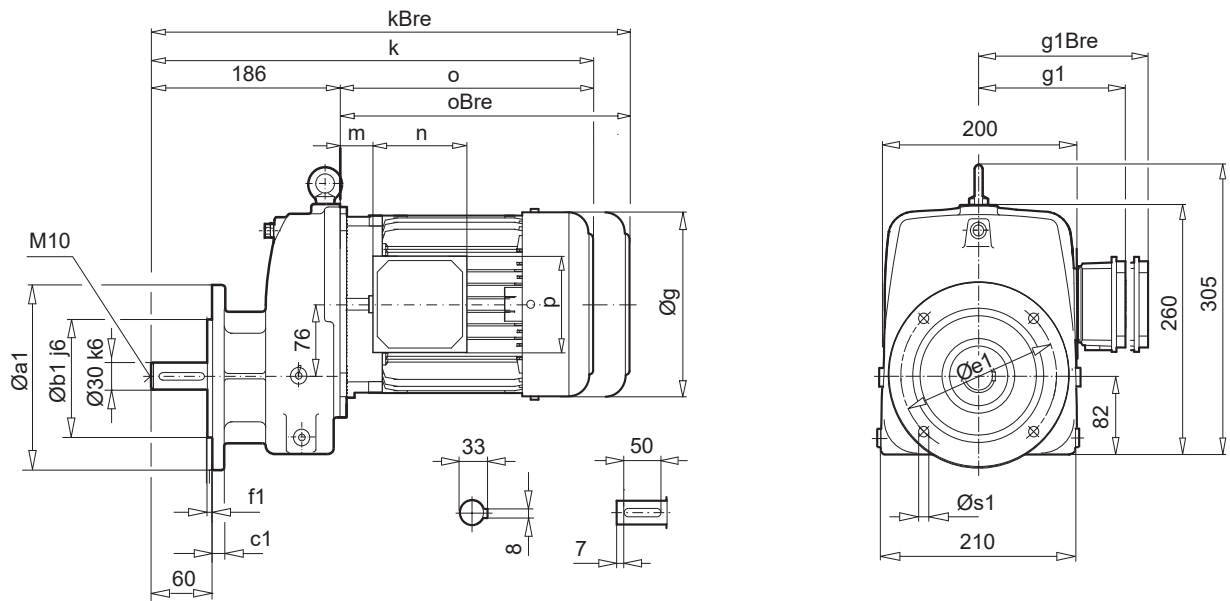
 C93
 A12



SK 31E



SK 31EF



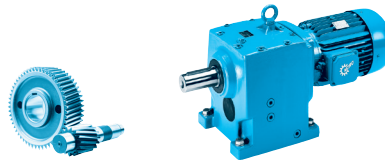
a1	b1	c1	e1	f1	s1
200	130	12	165	3,5	11

⇒ A61	100 AP	112 MP	132 SP/MP				
g	201	228	266				
g1 / g1Bre	169 / 173	179 / 182	204 / 201				
k / kBre	512 / 603	560 / 653	621 / 728				
o / oBre	326 / 417	374 / 467	435 / 542				
m / mBre	52 / 56	68 / 72	71 / 51				
n / nBre	114 / 153	114 / 153	122 / 185				
p / pBre	114 / 108	114 / 108	122 / 139				

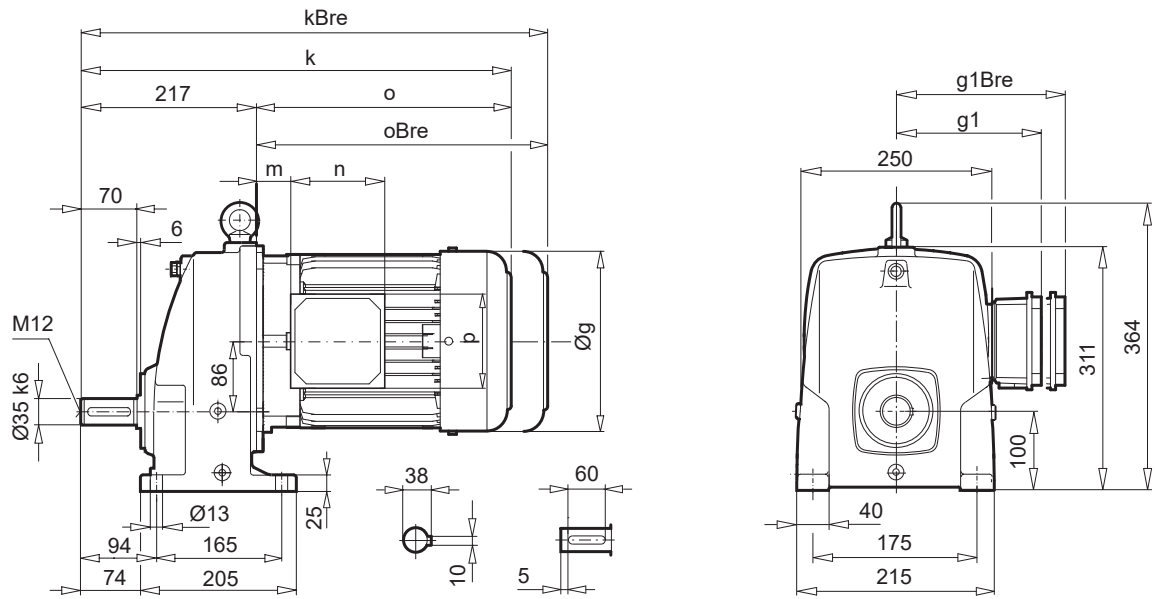
C93

A12

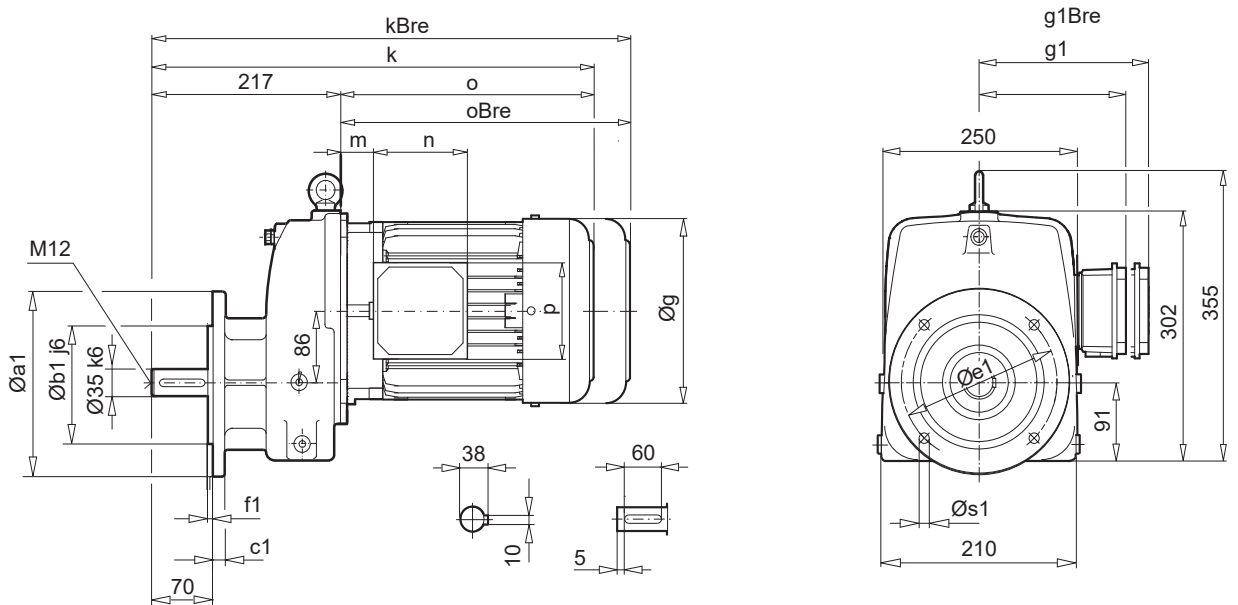
SK 41E SK 41EF



SK 41E



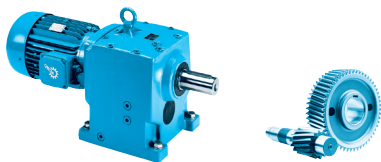
SK 41EF



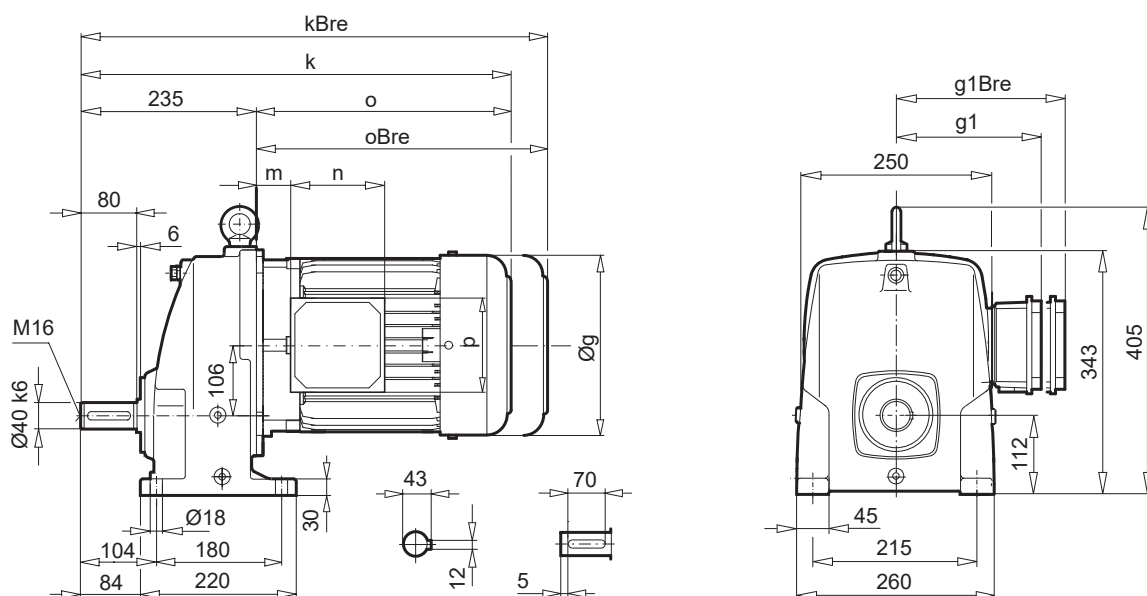
a1	b1	c1	e1	f1	s1
200	130	14	165	3,5	11
250	180	16	215	3,5	14

⇒ A61	132 MP	160 SP/MP	160 LP				
g	266	320	320				
g1 / g1Bre	204 / 201	242 / 242	242 / 242				
k / kBre	632 / 739	709 / 844	753 / 888				
o / oBre	415 / 522	492 / 627	536 / 671				
m / mBre	51 / 42	52 / 52	52 / 52				
n / nBre	122 / 185	186 / 186	186 / 186				
p / pBre	122 / 139	186 / 186	186 / 186				

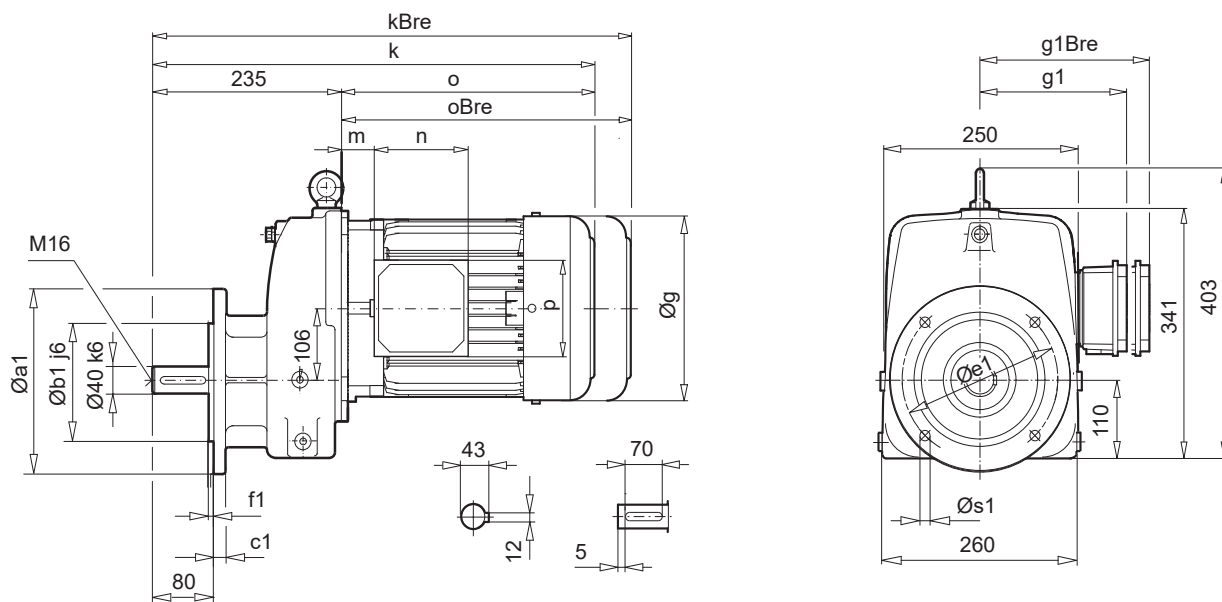
C94
 A12



SK 51E



SK 51EF



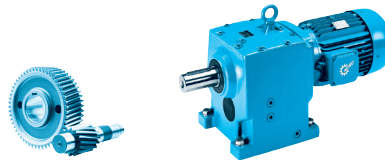
a1	b1	c1	e1	f1	s1
250	180	15	215	4,0	14
300	230	20	265	3,5	14

⇒ A61	160 SP/MP	160 LP	180 MP/LP				
g	320	320	348				
g1 / g1Bre	242 / 242	242 / 242	258 / 258				
k / kBre	727 / 862	771 / 906	869 / 1000				
o / oBre	492 / 627	536 / 671	636 / 764				
m / mBre	52 / 52	52 / 52	74 / 74				
n / nBre	186 / 186	186 / 186	186 / 186				
p / pBre	186 / 186	186 / 186	186 / 186				

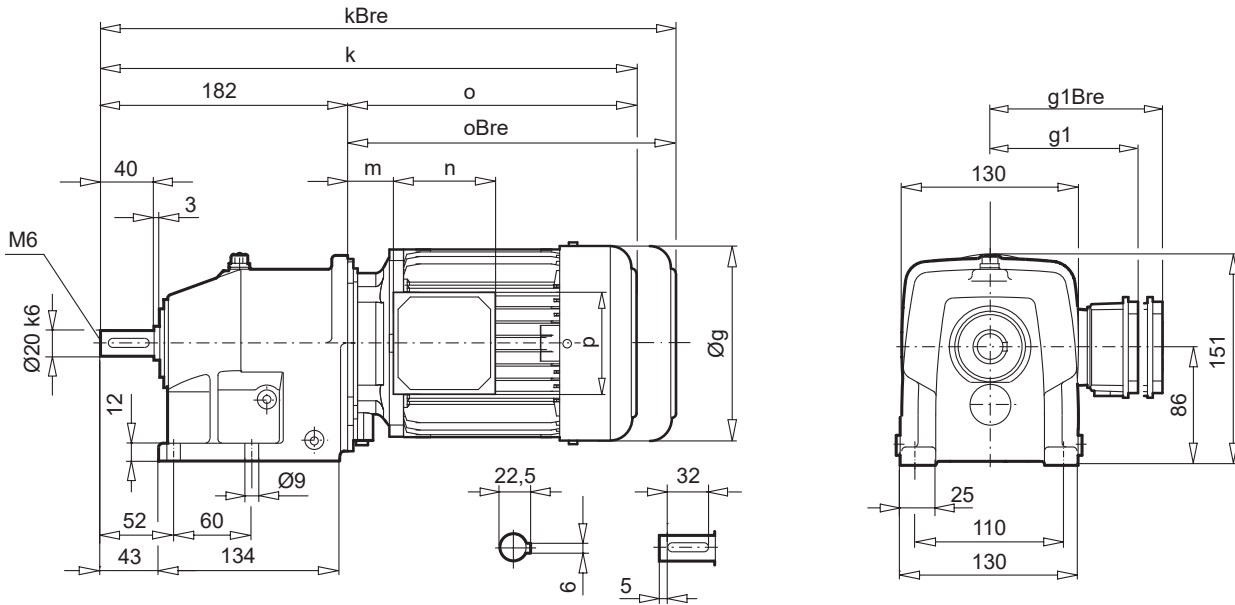
C94

A12

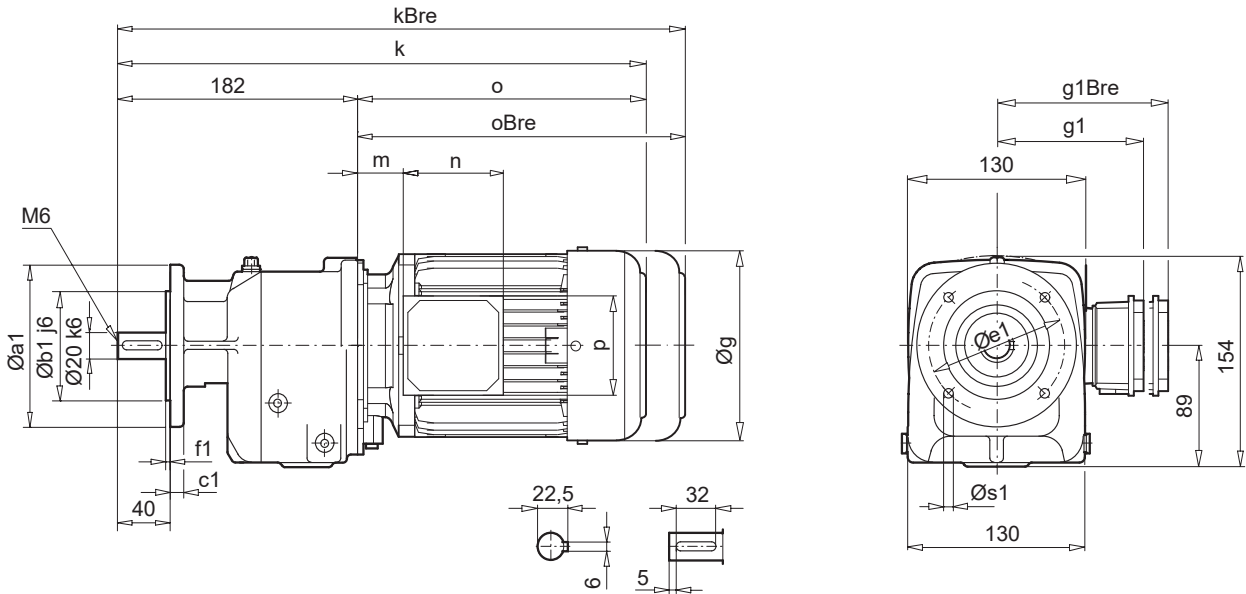
SK 02 SK 02F



SK 02



SK 02F

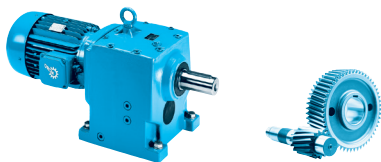


a1	b1	c1	e1	f1	s1
120	80	10	100	3,0	7
140	95	10	115	3,0	9
160	110	10	130	3,5	9

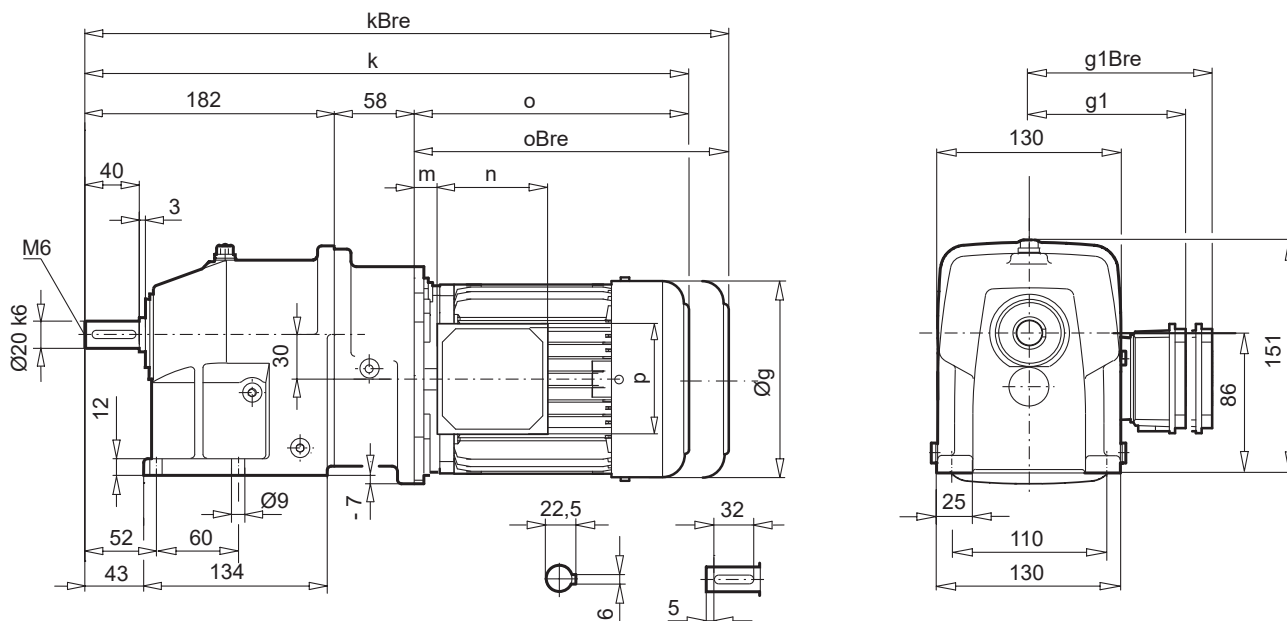
⇒ A61	63 S/L	71 S/L	80 SH	80 LP	90 SP/LP	100 LP	
g	130	145	165	165	183	201	
g1 / g1Bre	115 / 123	124 / 132	142 / 142	142 / 142	147 / 147	169 / 173	
k / kBre	378 / 434	418 / 476	443 / 507	443 / 507	484 / 559	514 / 605	
o / oBre	196 / 252	236 / 294	261 / 325	261 / 325	302 / 377	332 / 423	
m / mBre	16 / 22	42 / 47	47 / 51	47 / 51	52 / 56	58 / 62	
n / nBre	100 / 134	100 / 134	114 / 153	114 / 153	114 / 153	114 / 153	
p / pBre	100 / 89	100 / 89	114 / 108	114 / 108	114 / 108	114 / 108	

C92

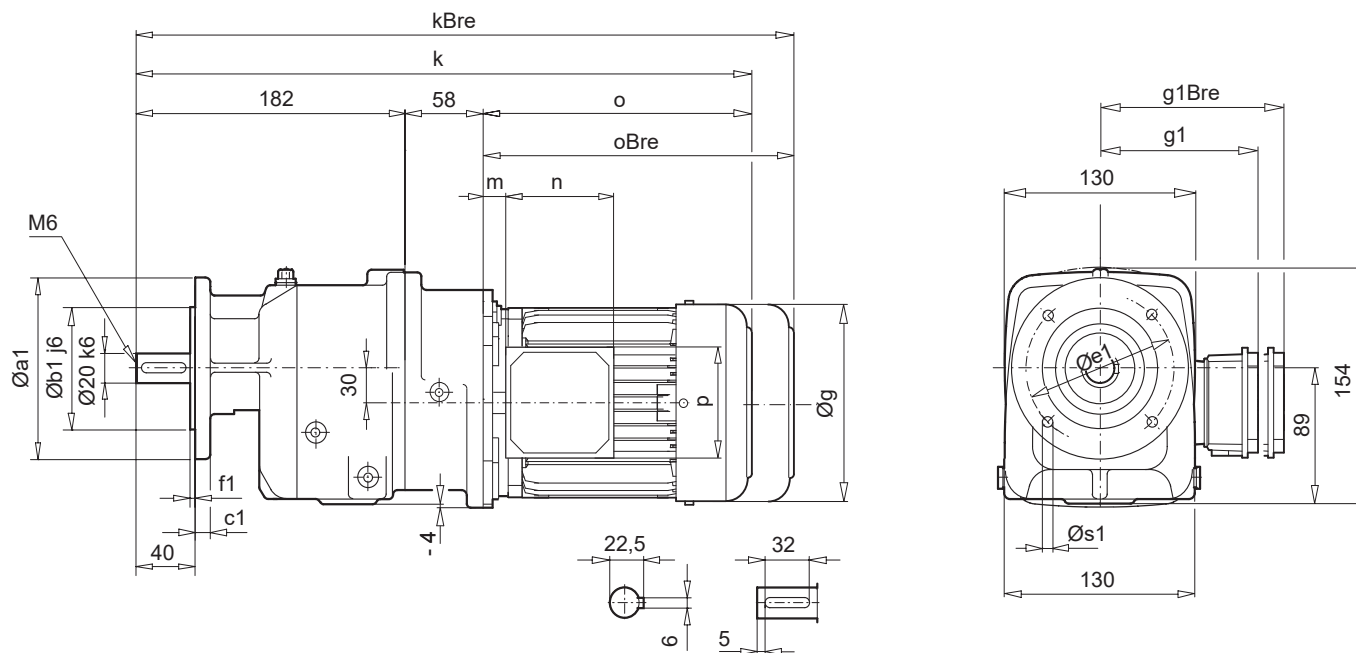
A12



SK 03



SK 03F

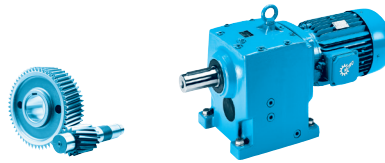


a1	b1	c1	e1	f1	s1
120	80	10	100	3,0	7
140	95	10	115	3,0	9
160	110	10	130	3,5	9

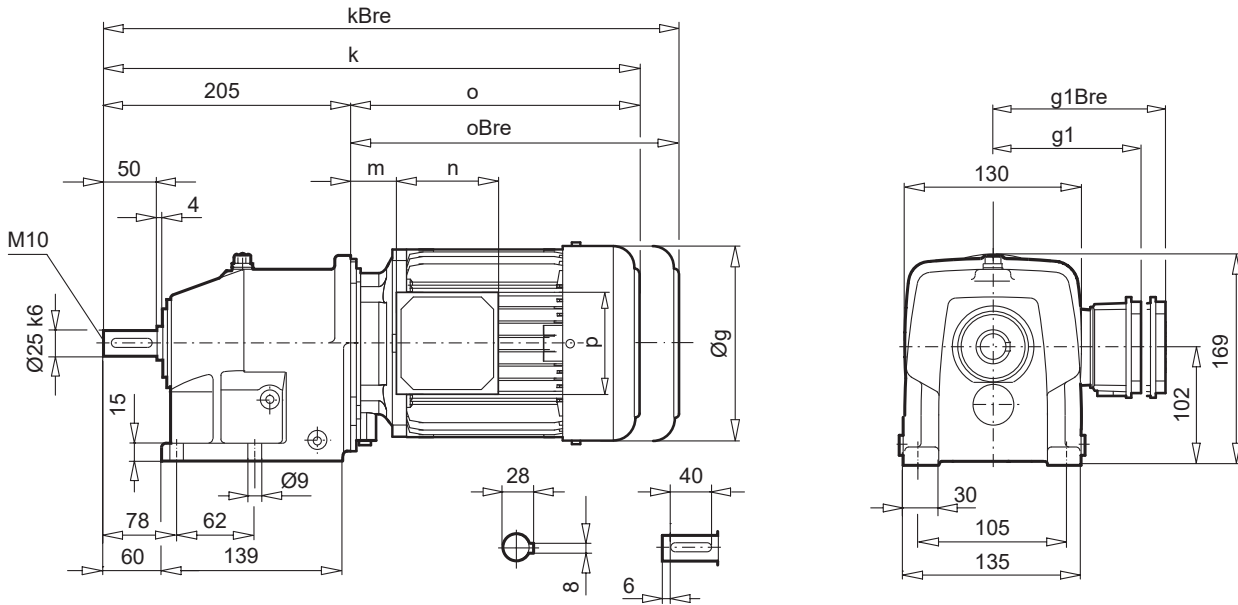
⇒ A61	63 S/L	71 S					
g	130	145					
g1 / g1Bre	115 / 123	124 / 132					
k / kBre	436 / 492	476 / 534					
o / oBre	196 / 252	236 / 294					
m / mBre	16 / 22	42 / 47					
n / nBre	100 / 134	100 / 134					
p / pBre	100 / 89	100 / 89					

C92
 A12

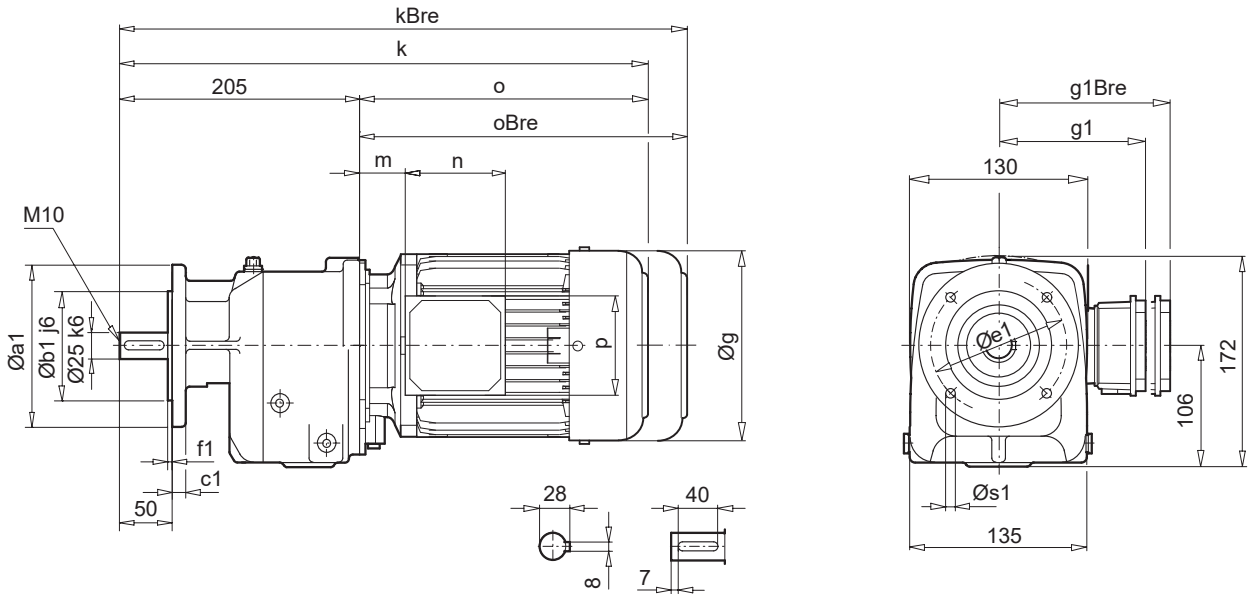
SK 12 SK 12F



SK 12

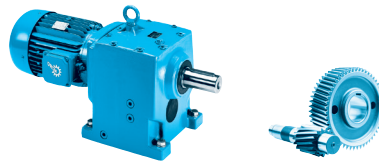


SK 12F

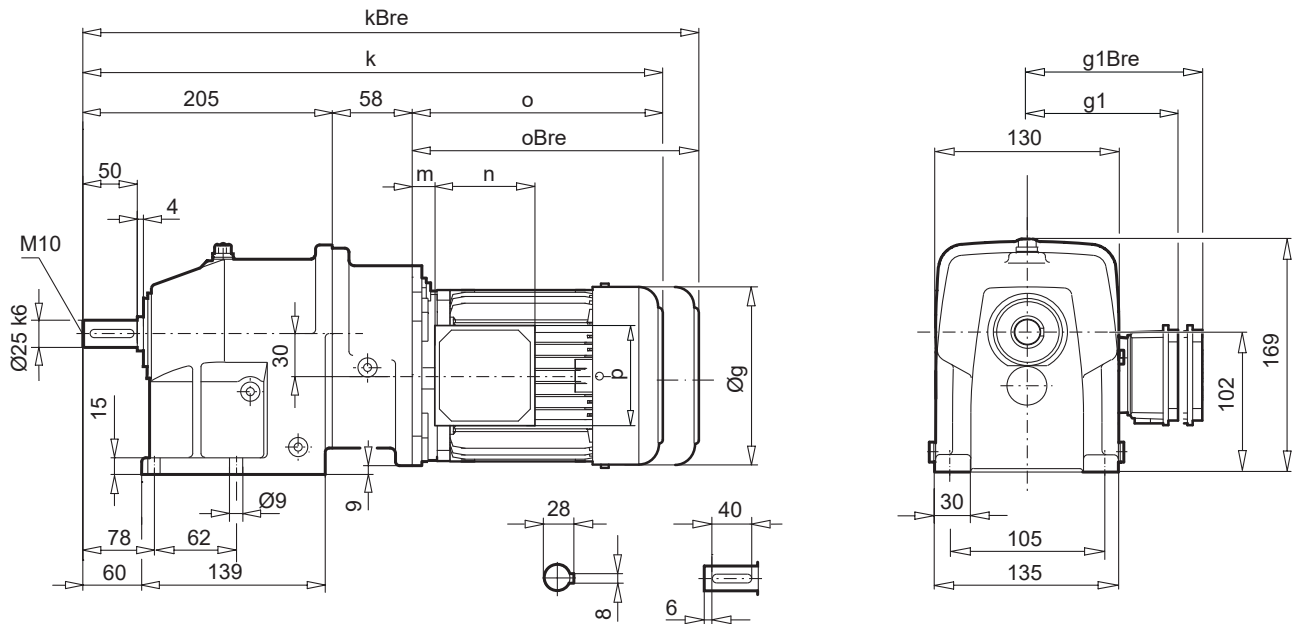


a1	b1	c1	e1	f1	s1
120	80	10	100	3,0	7
140	95	10	115	3,0	9
160	110	10	130	3,5	9

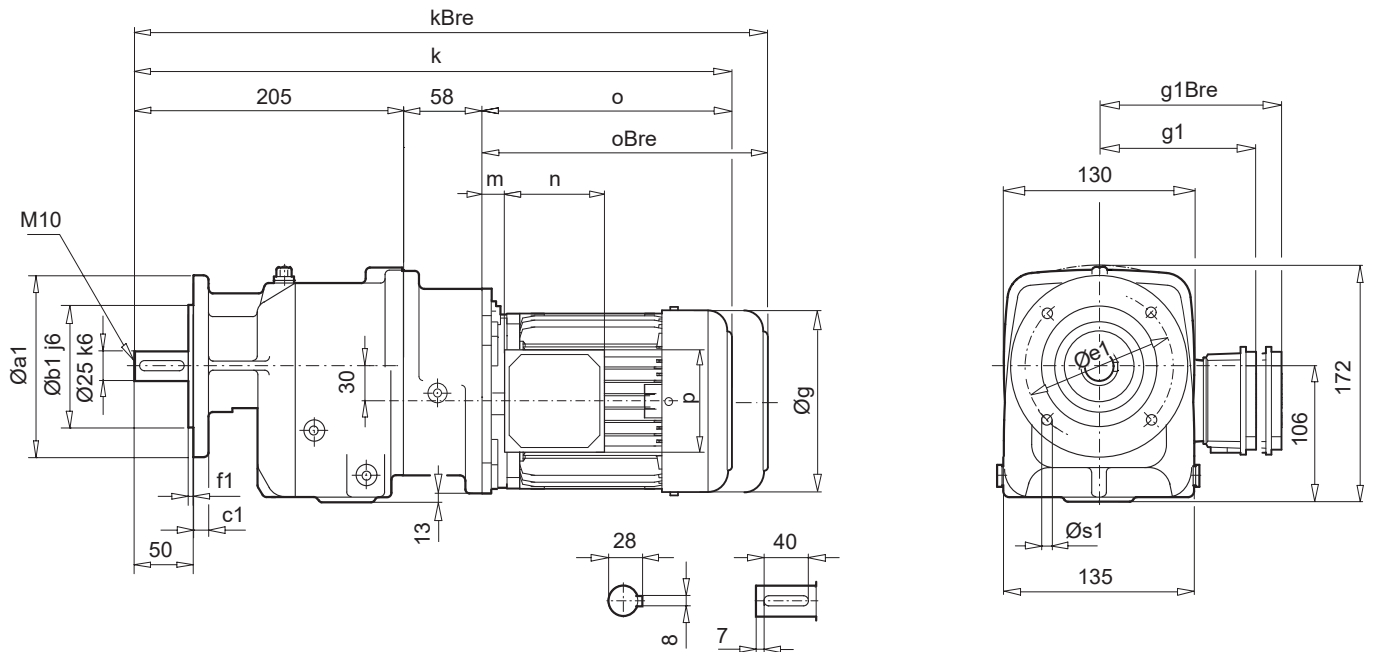
⇒ A61	63 S/L	71 S/L	80 SH	80 LP	90 SP/LP	100 LP/AP	112 MP	C92 A12
g	130	145	165	165	183	201	228	
g1 / g1Bre	115 / 123	124 / 132	142 / 142	142 / 142	147 / 147	169 / 173	179 / 182	
k / kBre	401 / 457	441 / 499	466 / 530	466 / 530	507 / 582	537 / 628	585 / 678	
o / oBre	196 / 252	236 / 294	261 / 325	261 / 325	302 / 377	332 / 423	380 / 473	
m / mBre	16 / 22	42 / 47	47 / 51	47 / 51	52 / 56	58 / 62	64 / 67	
n / nBre	100 / 134	100 / 134	114 / 153	114 / 153	114 / 153	114 / 153	114 / 153	
p / pBre	100 / 89	100 / 89	114 / 108	114 / 108	114 / 108	114 / 108	114 / 108	



SK 13



SK 13F



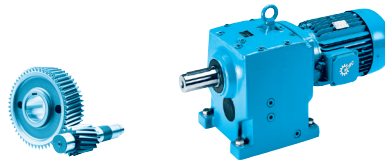
a1	b1	c1	e1	f1	s1
120	80	10	100	3,0	7
140	95	10	115	3,0	9
160	110	10	130	3,5	9

⇒ A61	63 S/L	71 S/L					
g	130	145					
g1 / g1Bre	115 / 123	124 / 132					
k / kBre	459 / 515	499 / 557					
o / oBre	196 / 252	236 / 294					
m / mBre	16 / 22	42 / 47					
n / nBre	100 / 134	100 / 134					
p / pBre	100 / 89	100 / 89					

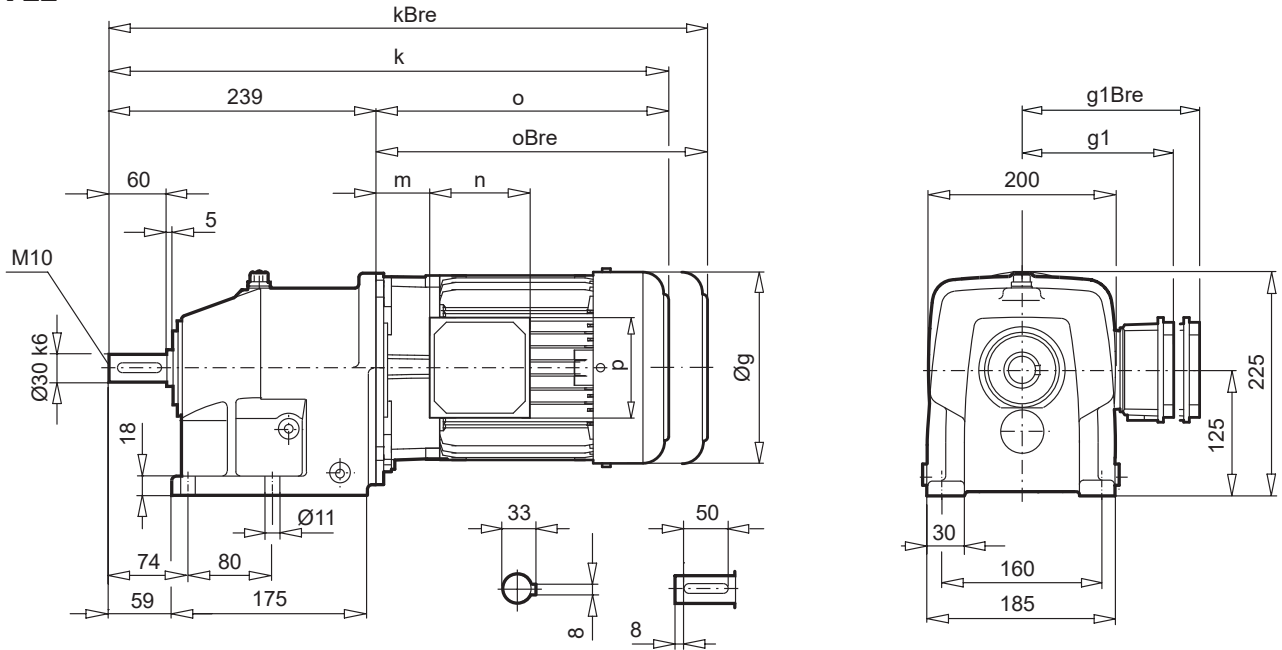
C92

A12

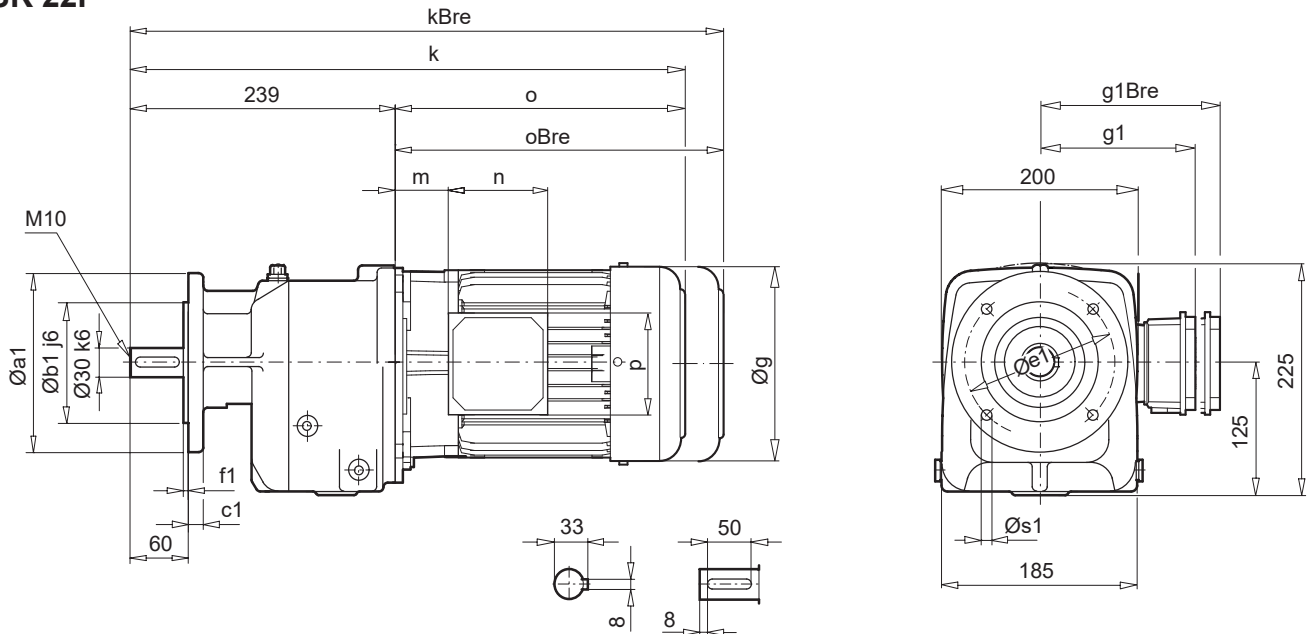
SK 22 SK 22F



SK 22

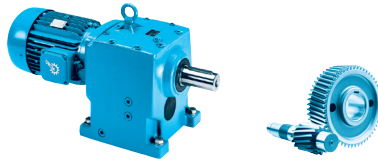


SK 22F

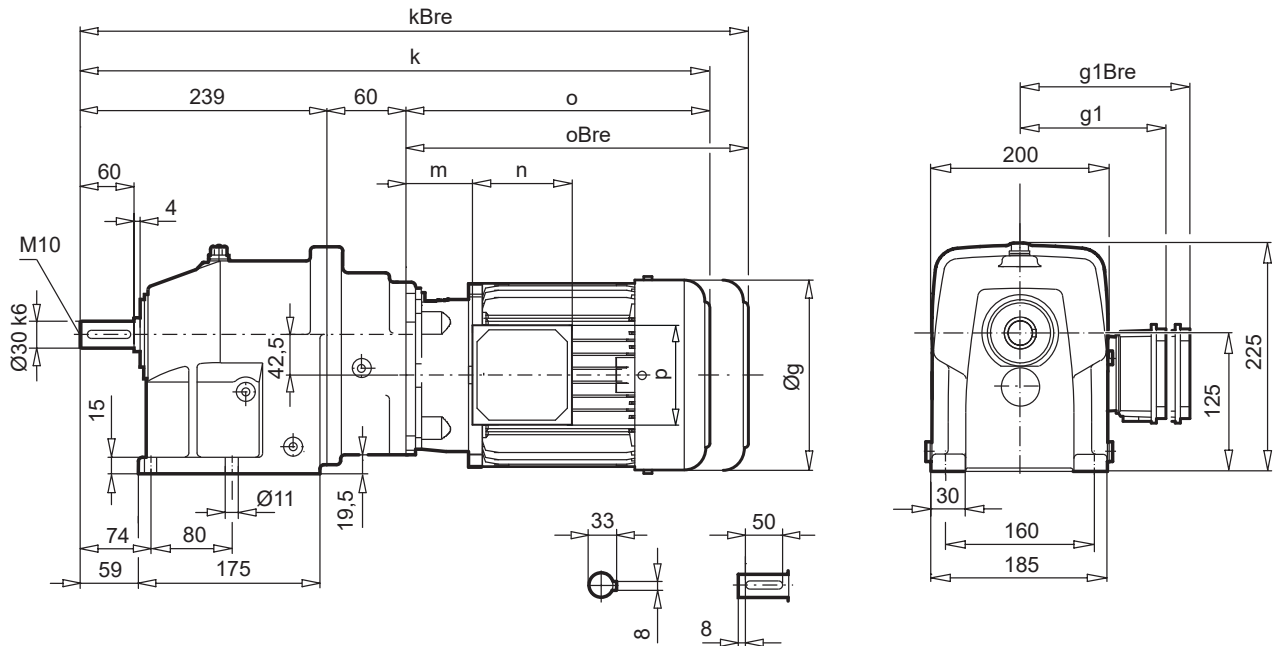


a1	b1	c1	e1	f1	s1
160	110	10	130	3,5	9
200	130	12	165	3,5	11

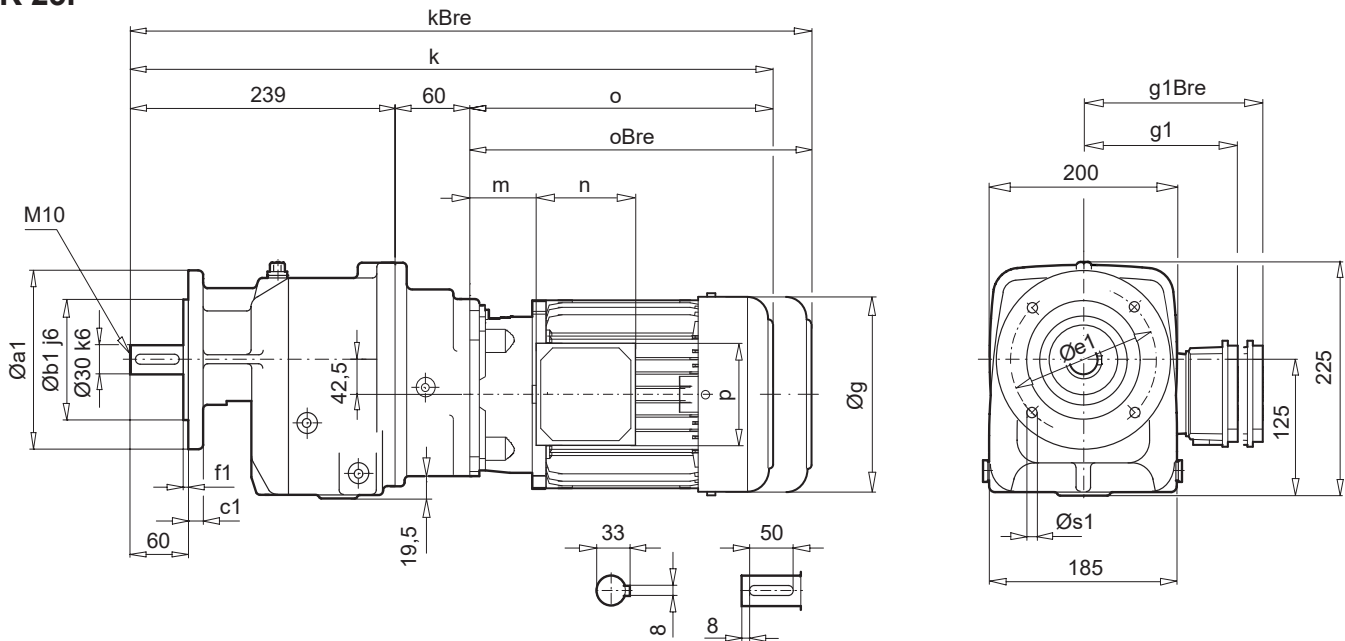
⇒ A61	71 S/L	80 S /SH	80 SP	90 SP/LP	100 LP/AP	112 MP	132 SP/MP	C93
g	145	165	165	183	201	228	266	A12
g1 / g1Bre	124 / 132	142 / 142	142 / 142	147 / 147	169 / 173	179 / 182	204 / 201	
k / kBre	469 / 527	494 / 559	494 / 559	535 / 610	565 / 656	613 / 706	674 / 781	
o / oBre	230 / 288	255 / 319	255 / 319	296 / 371	326 / 417	374 / 467	435 / 542	
m / mBre	36 / 42	41 / 45	41 / 45	46 / 50	52 / 56	58 / 61	71 / 62	
n / nBre	100 / 134	114 / 153	114 / 153	114 / 153	114 / 153	114 / 153	122 / 185	
p / pBre	100 / 89	114 / 108	114 / 108	114 / 108	114 / 108	114 / 108	122 / 139	



SK 23



SK 23F



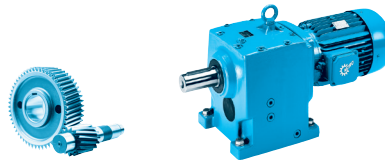
a1	b1	c1	e1	f1	s1
160	110	10	130	3,5	9
200	130	12	165	3,5	11

⇒ A61	63 S/L	71 S/L	80 SH	80 LP		
g	130	145	165	165		
g1 / g1Bre	115 / 123	124 / 132	142 / 142	142 / 142		
k / kBre	495 / 551	535 / 593	560 / 624	560 / 624		
o / oBre	196 / 252	236 / 294	261 / 325	261 / 325		
m / mBre	16 / 22	42 / 47	47 / 51	47 / 51		
n / nBre	100 / 134	100 / 134	114 / 153	114 / 153		
p / pBre	100 / 89	100 / 89	114 / 108	114 / 108		

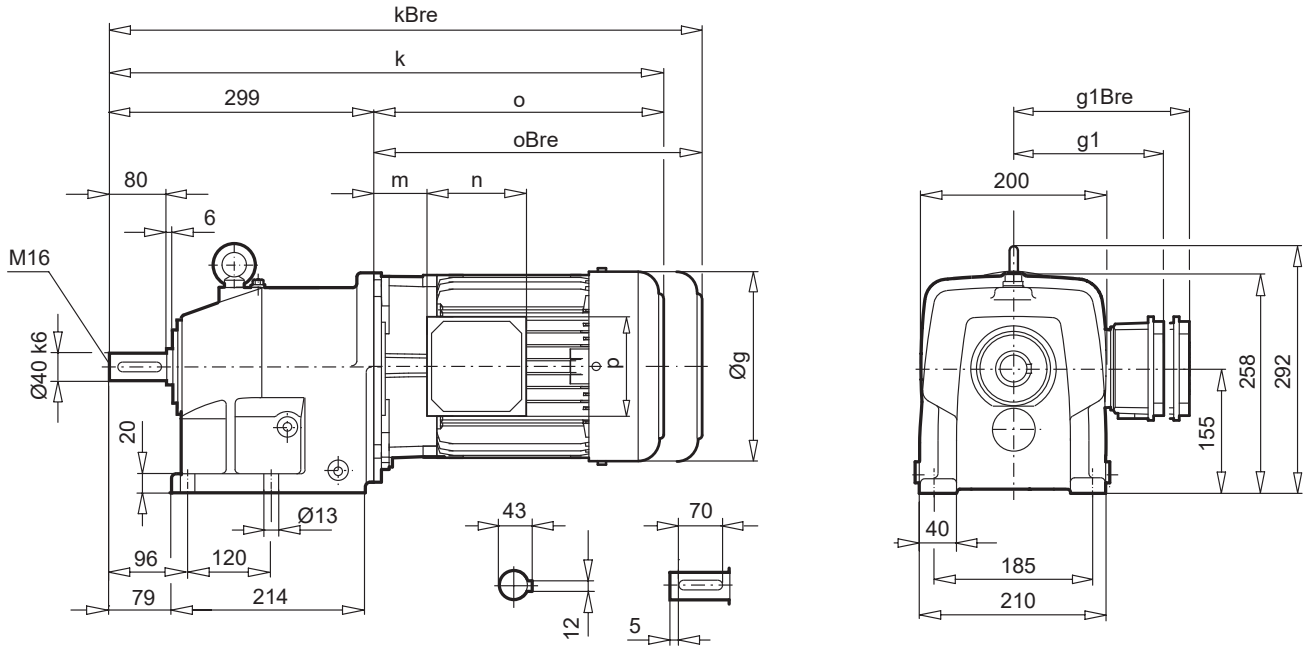
C92

A12

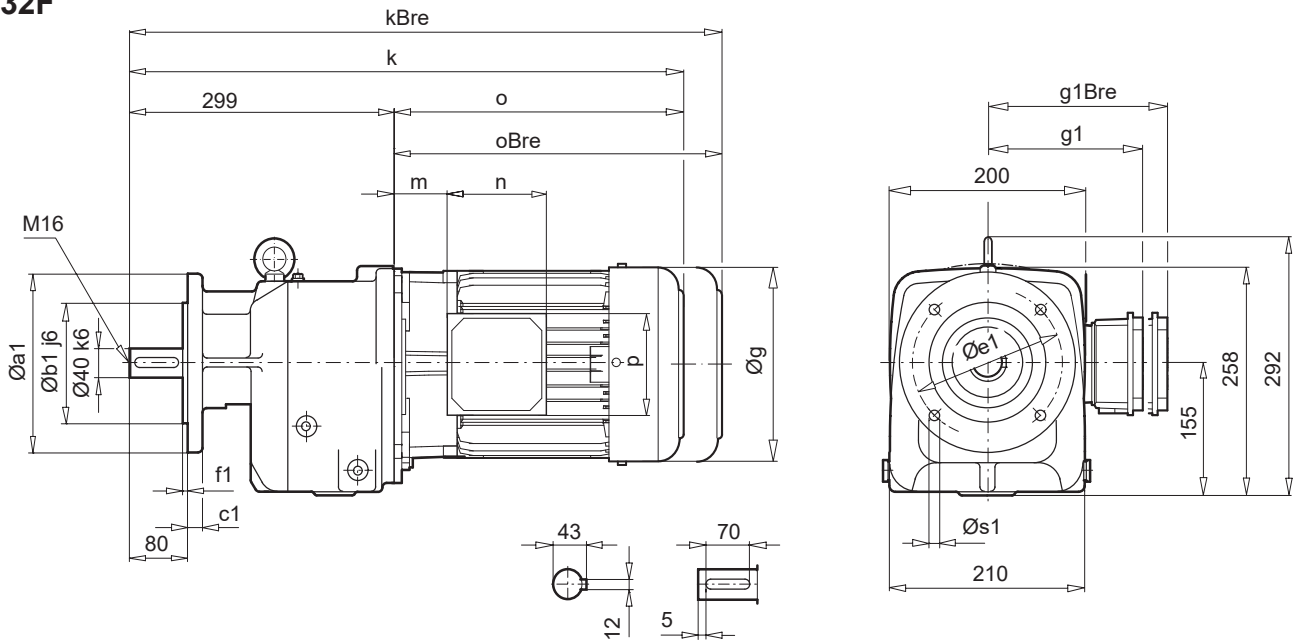
SK 32 SK 32F



SK 32

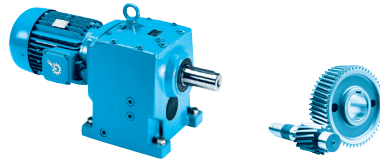


SK 32F

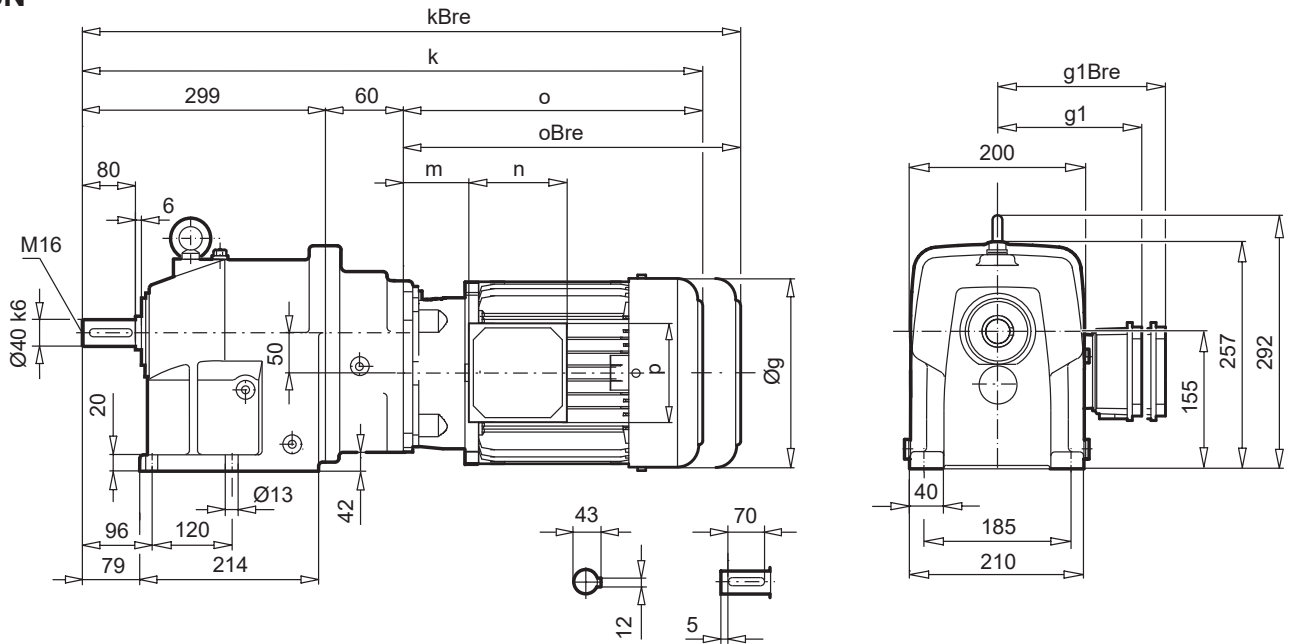


a1	b1	c1	e1	f1	s1
200	130	12	165	3,5	11
250	180	16	215	4,0	14

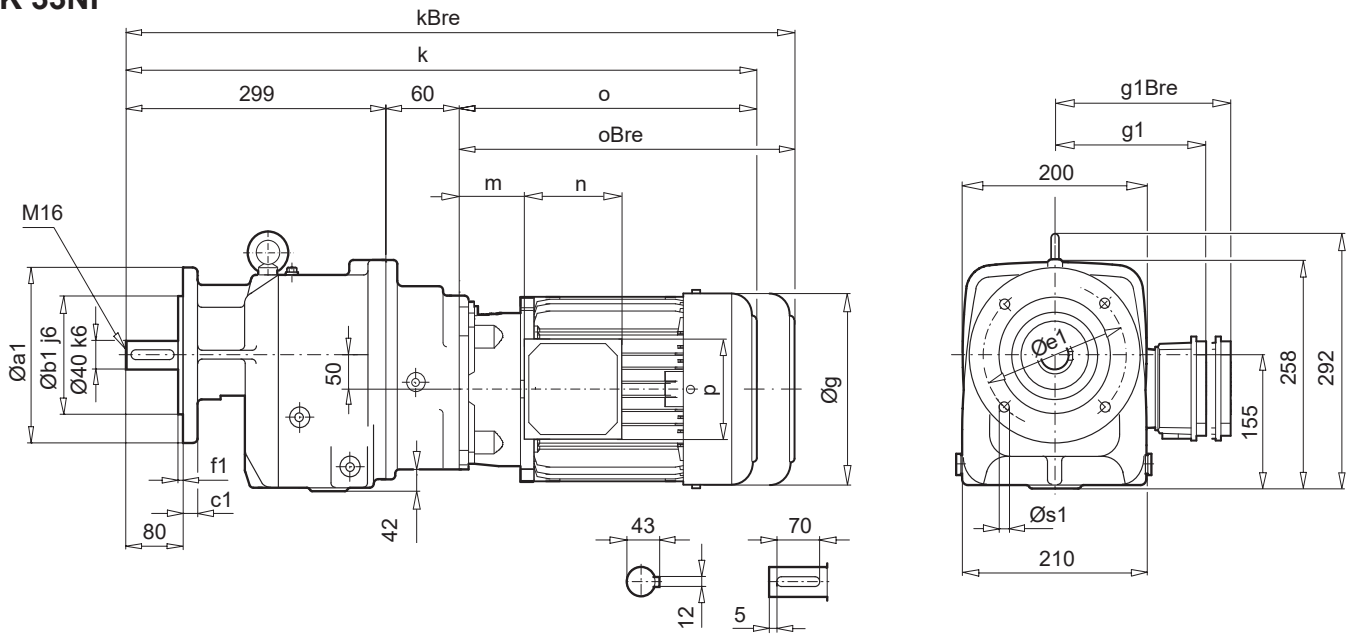
⇒ A61	71 S/L	80 S/SH	80 LP	90 SP/LP	100 LP/AP	112 MP	132 SP/MP	C93 A12
g	145	165	165	183	201	228	266	
g1 / g1Bre	124 / 132	142 / 142	142 / 142	147 / 147	169 / 173	179 / 182	204 / 201	
k / kBre	529 / 587	554 / 618	554 / 618	595 / 670	625 / 716	673 / 766	734 / 841	
o / oBre	230 / 288	255 / 319	255 / 319	296 / 371	326 / 417	374 / 467	435 / 542	
m / mBre	36 / 42	41 / 45	41 / 45	46 / 50	52 / 56	58 / 61	71 / 62	
n / nBre	100 / 134	114 / 153	114 / 153	114 / 153	114 / 153	114 / 153	122 / 185	
p / pBre	100 / 89	114 / 108	114 / 108	114 / 108	114 / 108	114 / 108	122 / 139	



SK 33N



SK 33NF



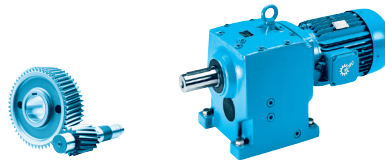
a1	b1	c1	e1	f1	s1
200	130	12	165	3,5	11
250	180	16	215	4,0	14

⇒ A61	63 S/L	71 S/L	80 SH	80 LP	90 SP		
g	130	145	165	165	183		
g1 / g1Bre	115 / 123	124 / 132	142 / 142	142 / 142	147 / 147		
k / kBre	555 / 611	595 / 653	620 / 684	620 / 684	661 / 736		
o / oBre	196 / 252	236 / 294	261 / 325	261 / 325	302 / 377		
m / mBre	16 / 22	42 / 47	47 / 51	47 / 51	52 / 56		
n / nBre	100 / 134	100 / 134	114 / 153	114 / 153	114 / 153		
p / pBre	100 / 89	100 / 89	114 / 108	114 / 108	114 / 108		

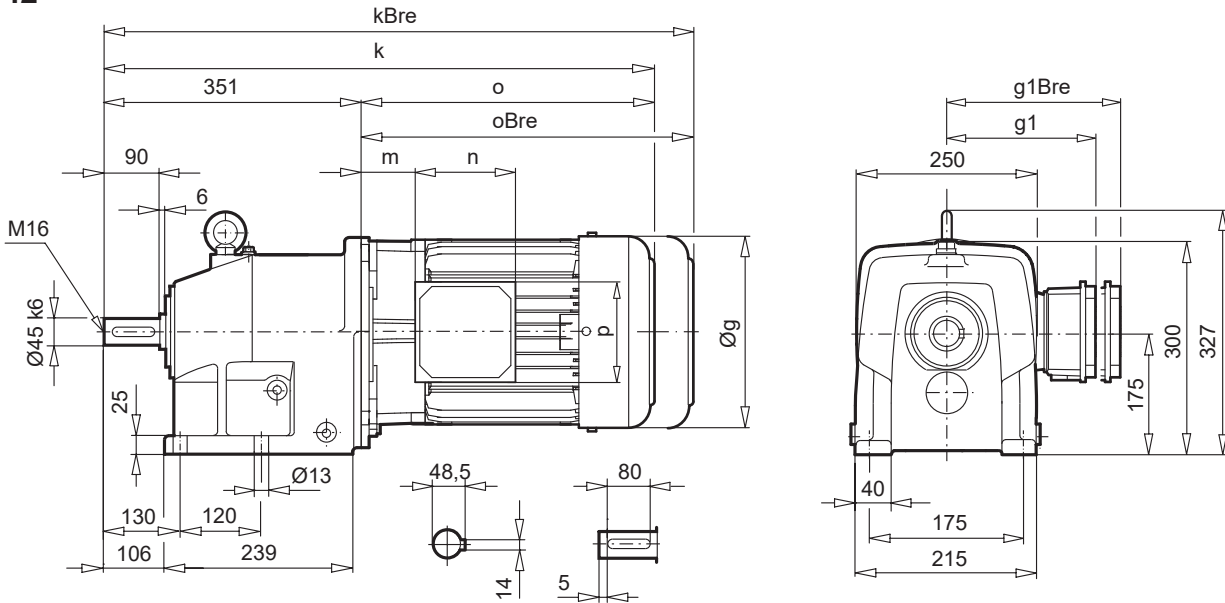
📖 C92

📖 A12

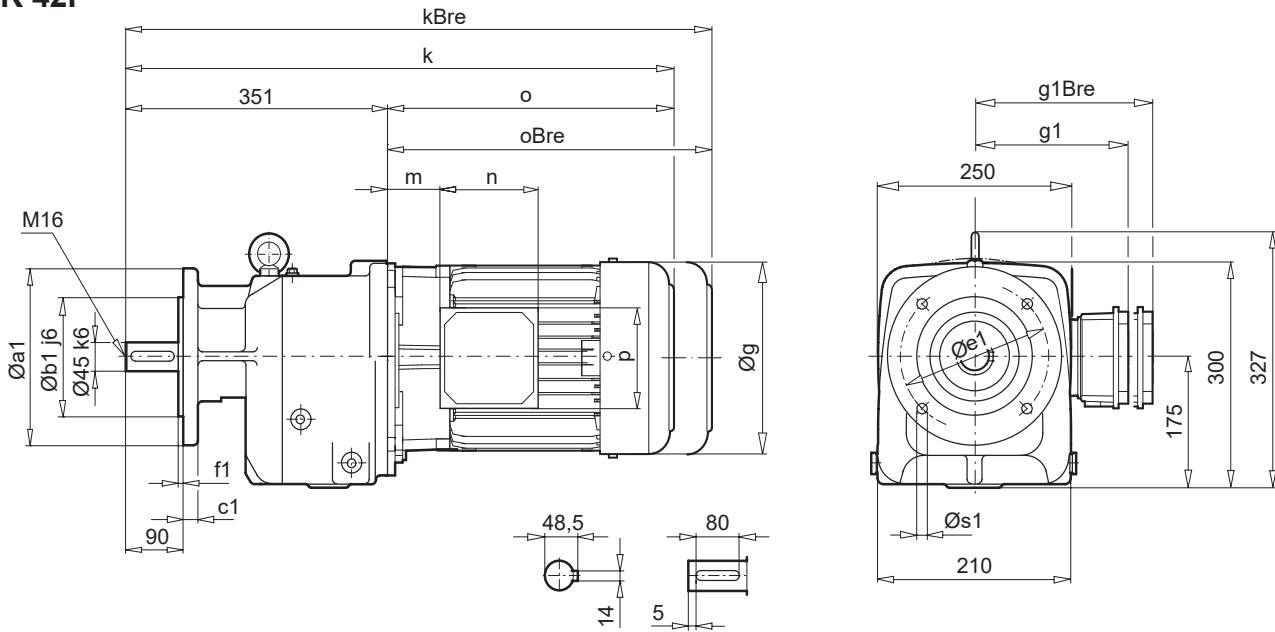
SK 42 SK 42F



SK 42

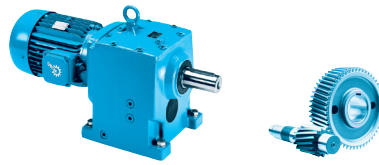


SK 42F

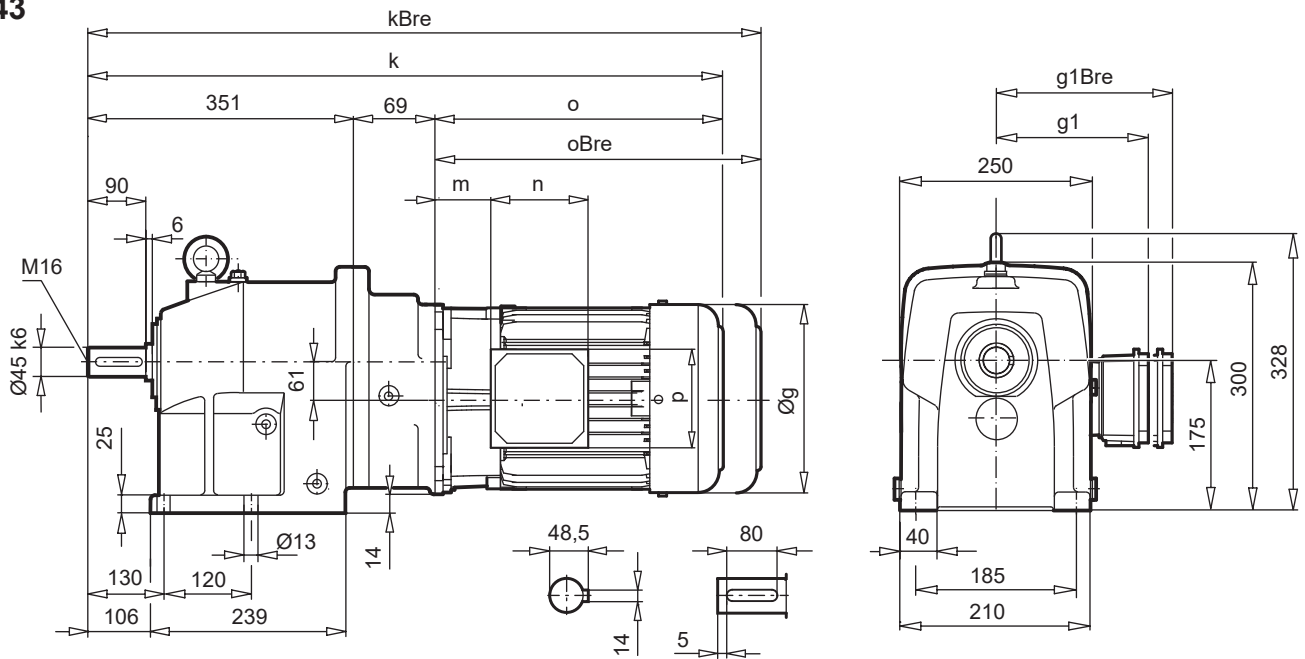


a1	b1	c1	e1	f1	s1
200	130	14	165	3,5	11
250	180	16	215	4,0	14

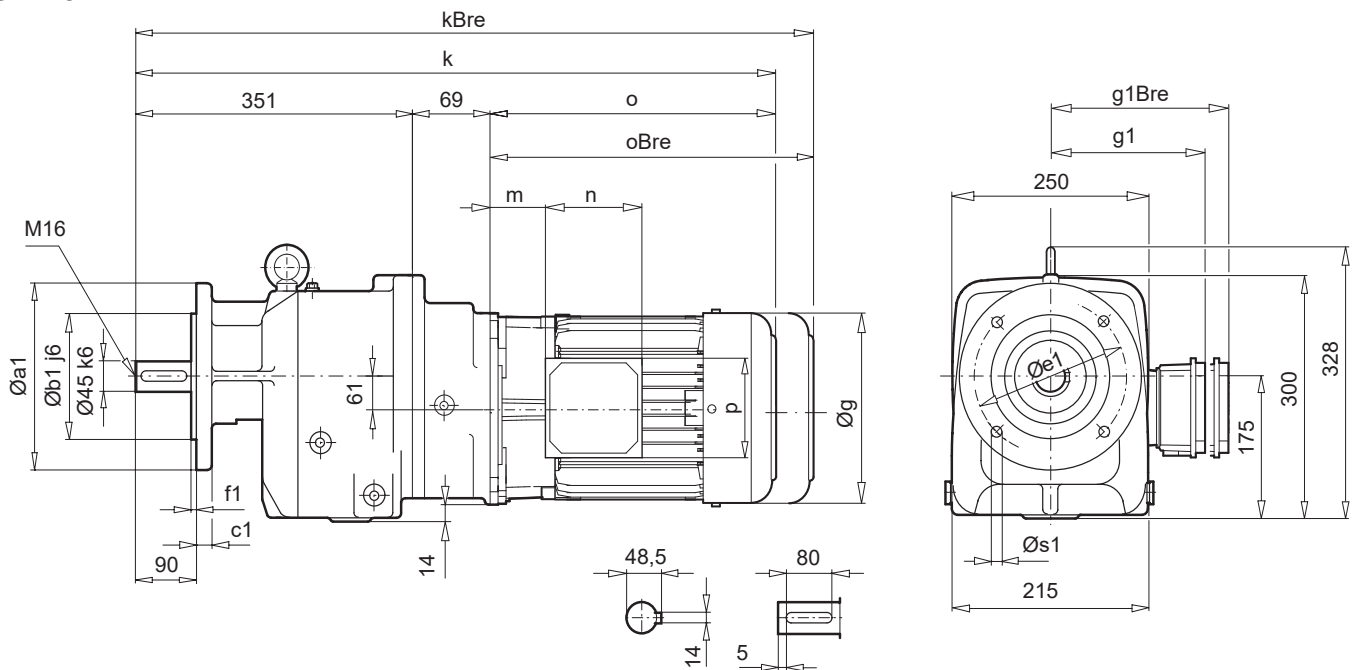
⇒ A61	90 SP/LP	100 LP/AP	112 MP	132 SP/MP	160 SP/MP	160 LP	180 MP/LP	C94 A12
g	183	201	228	266	320	320	348	
g1 / g1Bre	147 / 147	169 / 173	179 / 182	204 / 201	242 / 242	242 / 242	258 / 258	
k / kBre	627 / 702	657 / 748	705 / 798	766 / 873	843 / 978	887 / 1022	985 / 1113	
o / oBre	276 / 351	306 / 397	354 / 447	415 / 522	492 / 627	536 / 671	634 / 762	
m / mBre	26 / 30	32 / 36	38 / 41	51 / 42	52 / 52	52 / 52	74 / 74	
n / nBre	114 / 153	114 / 153	114 / 153	122 / 185	186 / 186	186 / 186	186 / 186	
p / pBre	114 / 108	114 / 108	114 / 108	122 / 139	186 / 186	186 / 186	186 / 186	



SK 43



SK 43F



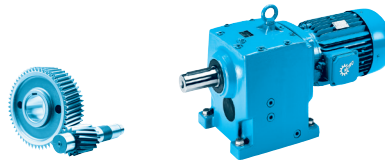
a1	b1	c1	e1	f1	s1
200	130	14	165	3,5	11
250	180	16	215	4,0	14

⇒ A61	71 S/L	80 SH	80 LP	90 SP/LP	100 LP/AP	112 MP	
g	145	165	165	183	201	228	
g1 / g1Bre	124 / 132	142 / 142	142 / 142	147 / 147	169 / 173	179 / 182	
k / kBre	650 / 708	675 / 739	675 / 739	716 / 791	746 / 837	794 / 887	
o / oBre	230 / 288	255 / 319	255 / 319	296 / 371	326 / 417	374 / 467	
m / mBre	36 / 42	41 / 45	41 / 45	46 / 50	52 / 56	68 / 72	
n / nBre	100 / 134	114 / 153	114 / 153	114 / 153	114 / 153	114 / 153	
p / pBre	100 / 89	114 / 108	114 / 108	114 / 108	114 / 108	114 / 108	

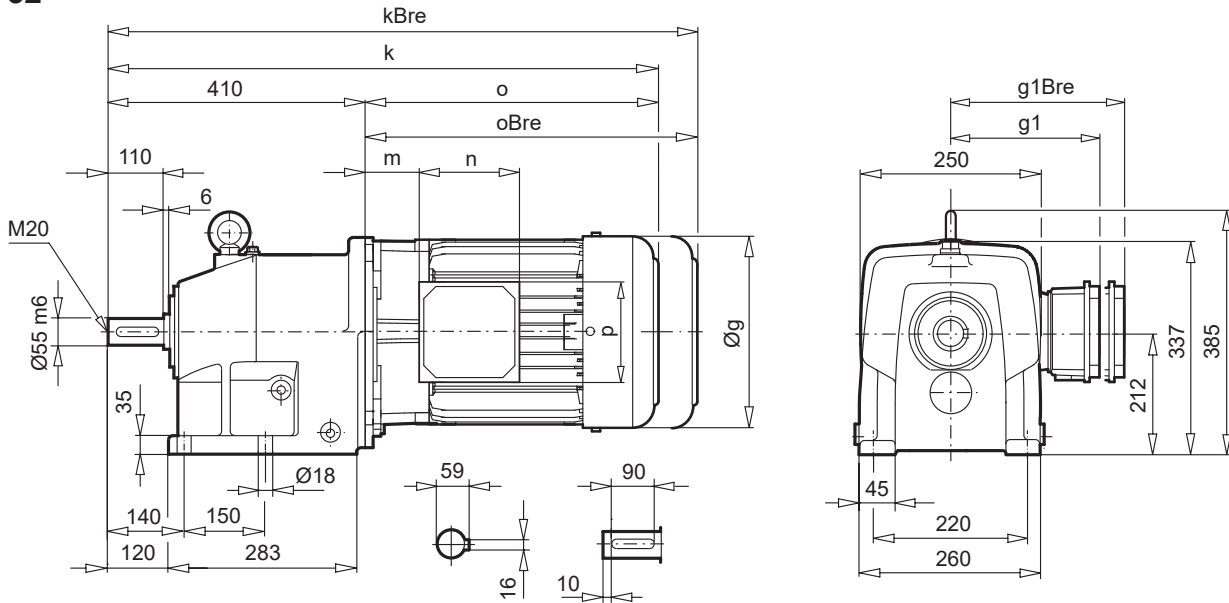
C93

A12

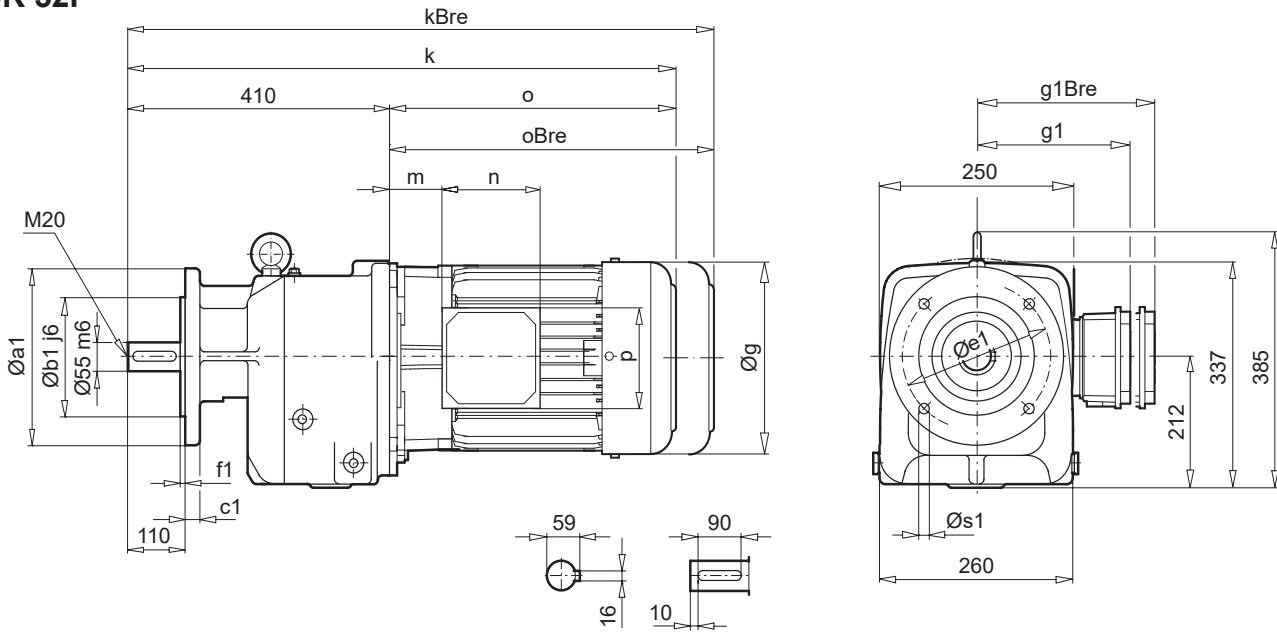
SK 52 SK 52F



SK 52

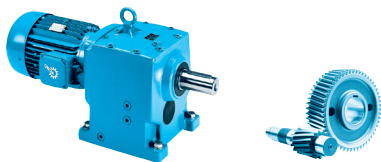


SK 52F

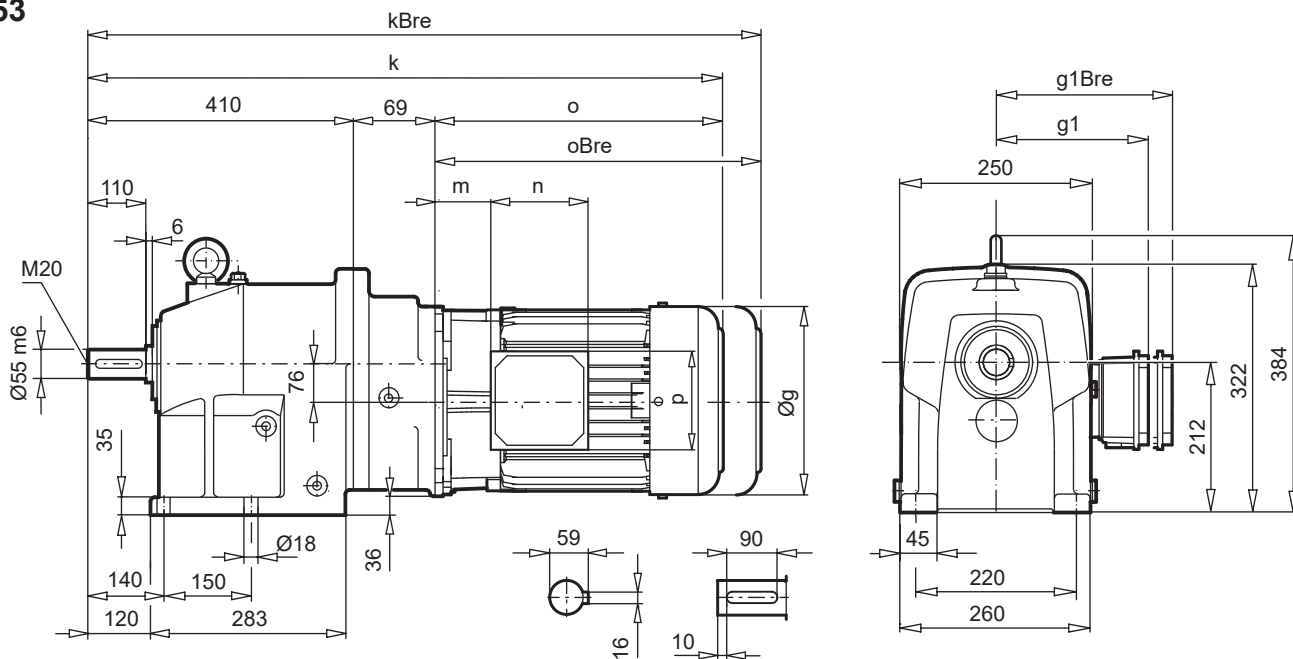


a1	b1	c1	e1	f1	s1
250	180	16	215	4,0	14
300	230	20	265	4,0	14

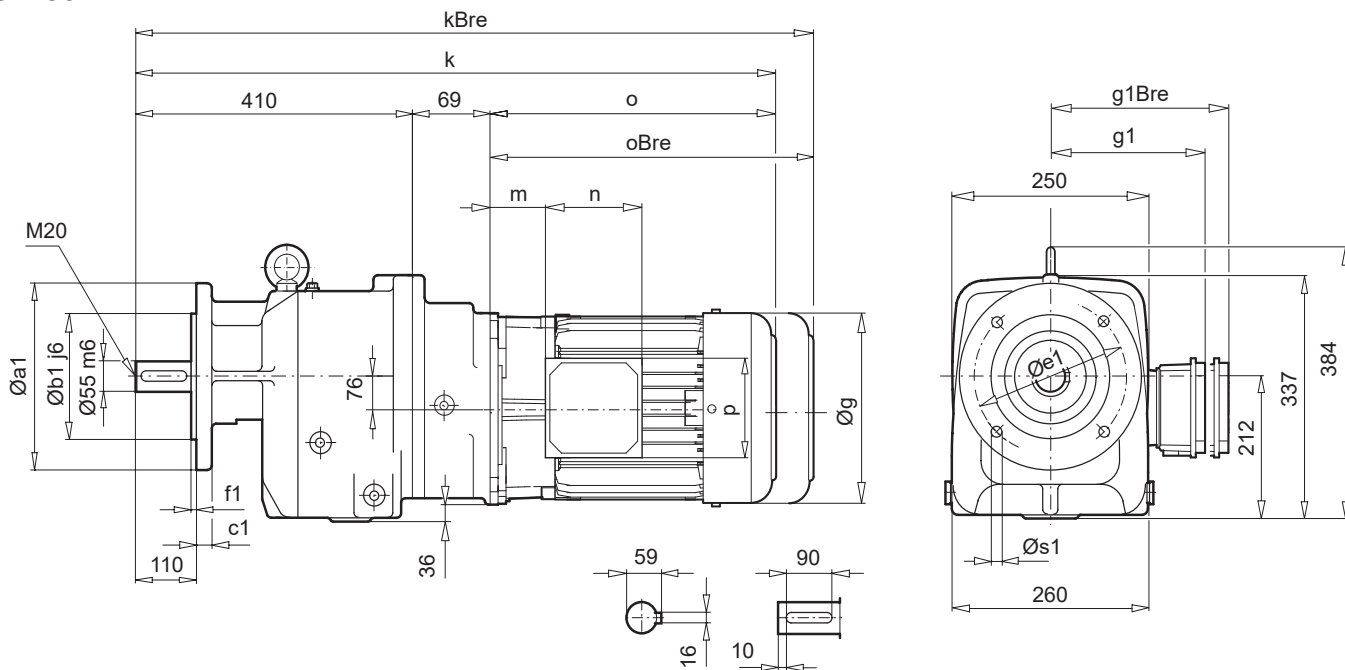
⇒ A61	90 SP/LP	100 LP/AP	112 MP	132 SP/MP	160 SP/MP	160 LP	180 MP/LP	C94
g	183	201	228	266	320	320	348	A12
g1 / g1Bre	147 / 147	169 / 173	179 / 182	204 / 201	242 / 242	242 / 242	258 / 258	
k / kBre	686 / 761	716 / 807	764 / 857	825 / 932	902 / 1037	946 / 1081	1044 / 1172	
o / oBre	276 / 351	306 / 397	354 / 447	415 / 522	492 / 627	536 / 671	634 / 762	
m / mBre	26 / 30	32 / 36	58 / 61	51 / 42	52 / 52	52 / 52	74 / 74	
n / nBre	114 / 153	114 / 153	114 / 153	122 / 185	186 / 186	186 / 186	186 / 186	
p / pBre	114 / 108	114 / 108	114 / 108	122 / 139	186 / 186	186 / 186	186 / 186	



SK 53



SK 53F



a1	b1	c1	e1	f1	s1
250	180	16	215	4,0	14
300	230	20	265	4,0	14

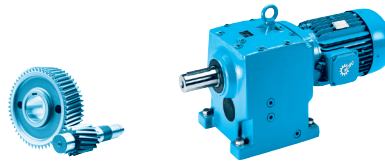
⇒ A61	71 L	80 S /SH	80 LP	90 SP/LP	100 LP/AP	112 MP	
g	145	165	165	183	201	228	
g1 / g1Bre	124 / 132	142 / 142	142 / 142	147 / 147	169 / 173	179 / 182	
k / kBre	709 / 767	734 / 798	734 / 798	775 / 850	805 / 896	853 / 946	
o / oBre	230 / 288	255 / 319	255 / 319	296 / 371	326 / 417	374 / 467	
m / mBre	36 / 42	41 / 45	41 / 45	46 / 50	52 / 56	68 / 72	
n / nBre	100 / 134	114 / 153	114 / 153	114 / 153	114 / 153	114 / 153	
p / pBre	100 / 89	114 / 108	114 / 108	114 / 108	114 / 108	114 / 108	

C93

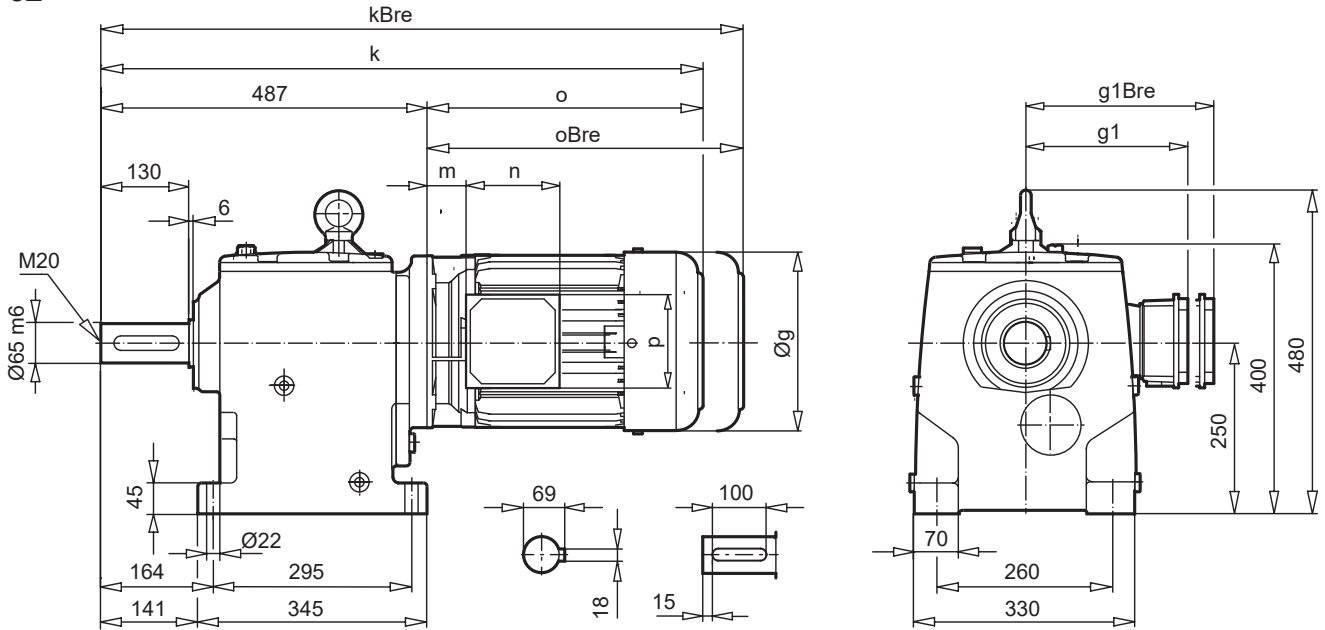
A12

Helical Gear Units

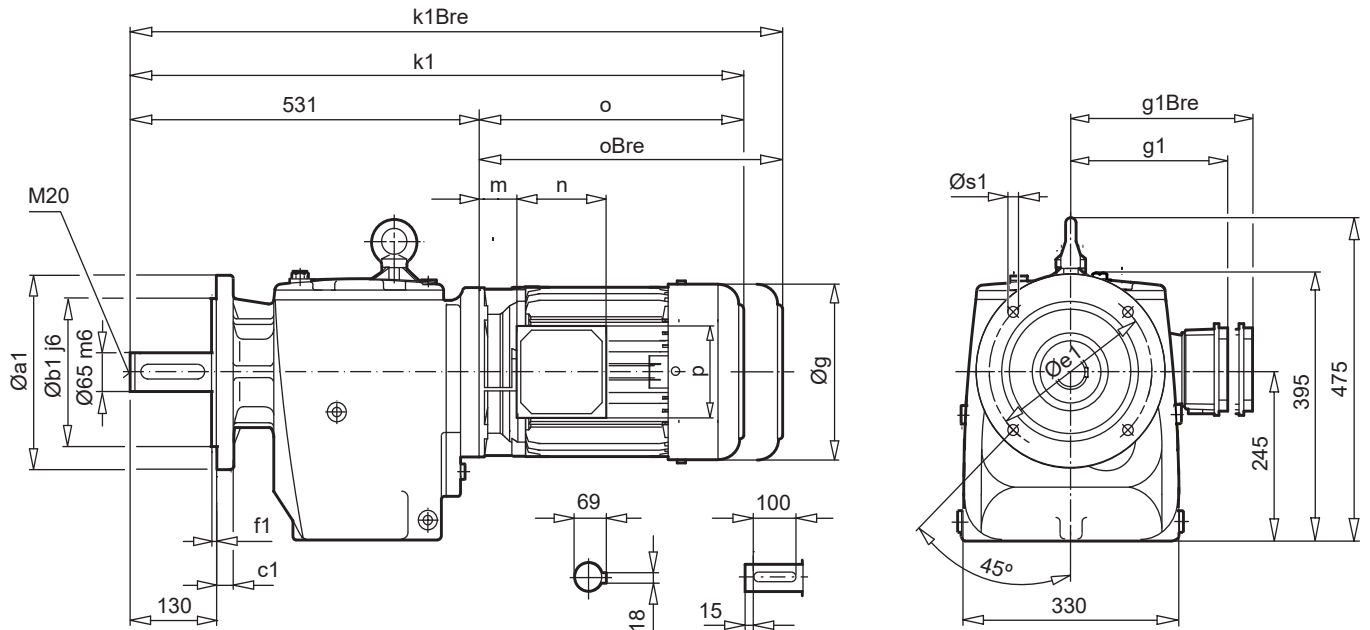
SK 62 SK 62F



SK 62

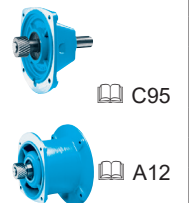


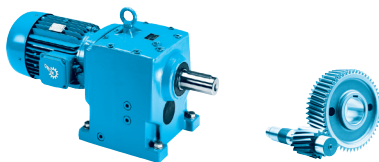
SK 62F



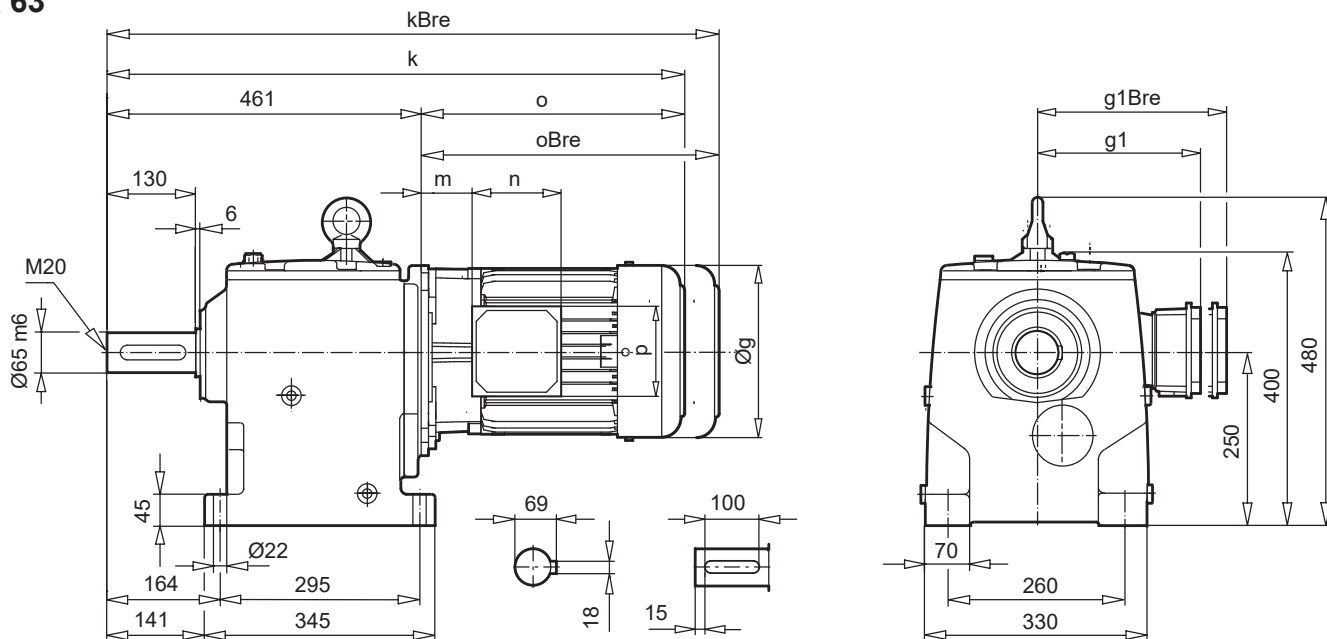
a1	b1	c1	e1	f1	s1
300	230	24	265	4,0	14

⇒ A61	112 MP	132 SP/MP	160 SP/MP	160 LP	180 MP/LP	225 RP	225 SP/MP	
g	228	266	320	320	348	443	443	
g1 / g1Bre	179 / 182	204 / 201	242 / 242	242 / 242	258 / 258	347 / 347	347 / 347	
k / kBre	838 / 931	922 / 1029	979 / 1114	1023 / 1158	1103 / 1231	1229 / 1409	1229 / 1409	
k1 / k1Bre	882 / 975	966 / 1073	1023 / 1158	1067 / 1202	1145 / 1273	1273 / 1453	1273 / 1453	
o / oBre	351 / 444	435 / 542	492 / 627	536 / 671	614 / 742	742 / 922	742 / 922	
m / mBre	35 / 38	71 / 62	52 / 52	52 / 52	54 / 54	94 / 94	94 / 94	
n / nBre	114 / 153	122 / 185	186 / 186	186 / 186	186 / 186	245 / 245	245 / 245	
p / pBre	114 / 108	122 / 139	186 / 186	186 / 186	186 / 186	245 / 245	245 / 245	

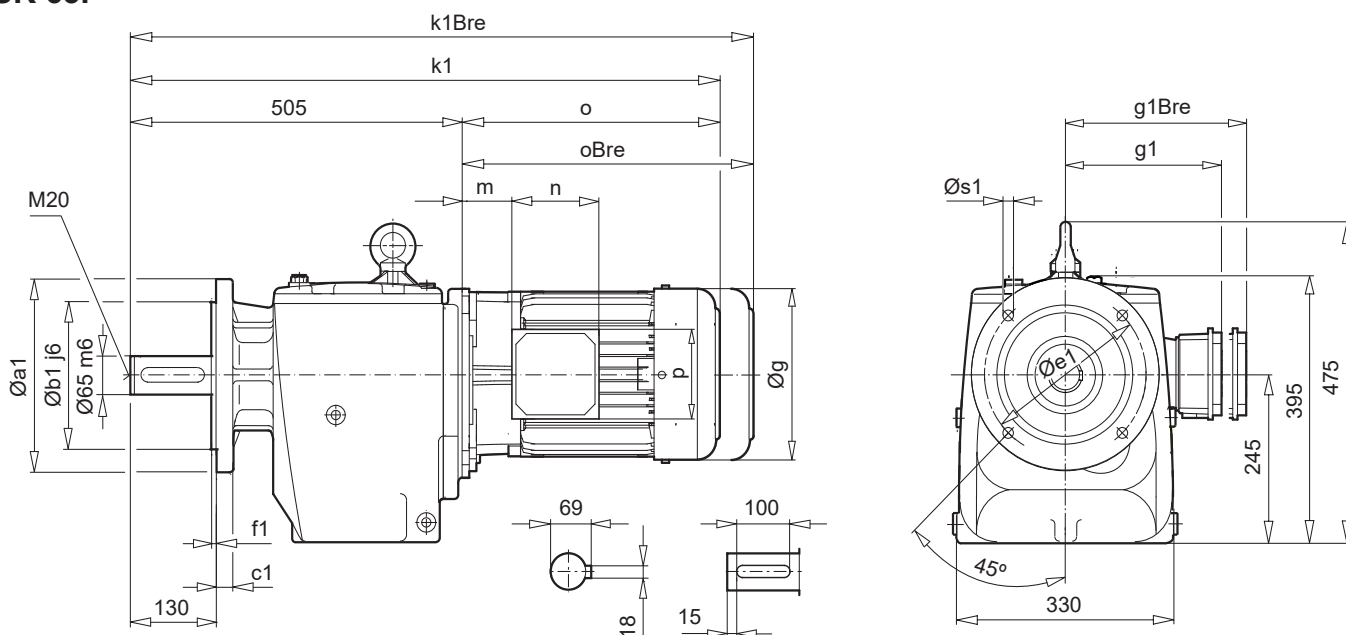




SK 63



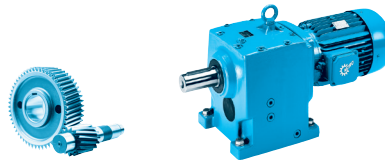
SK 63F



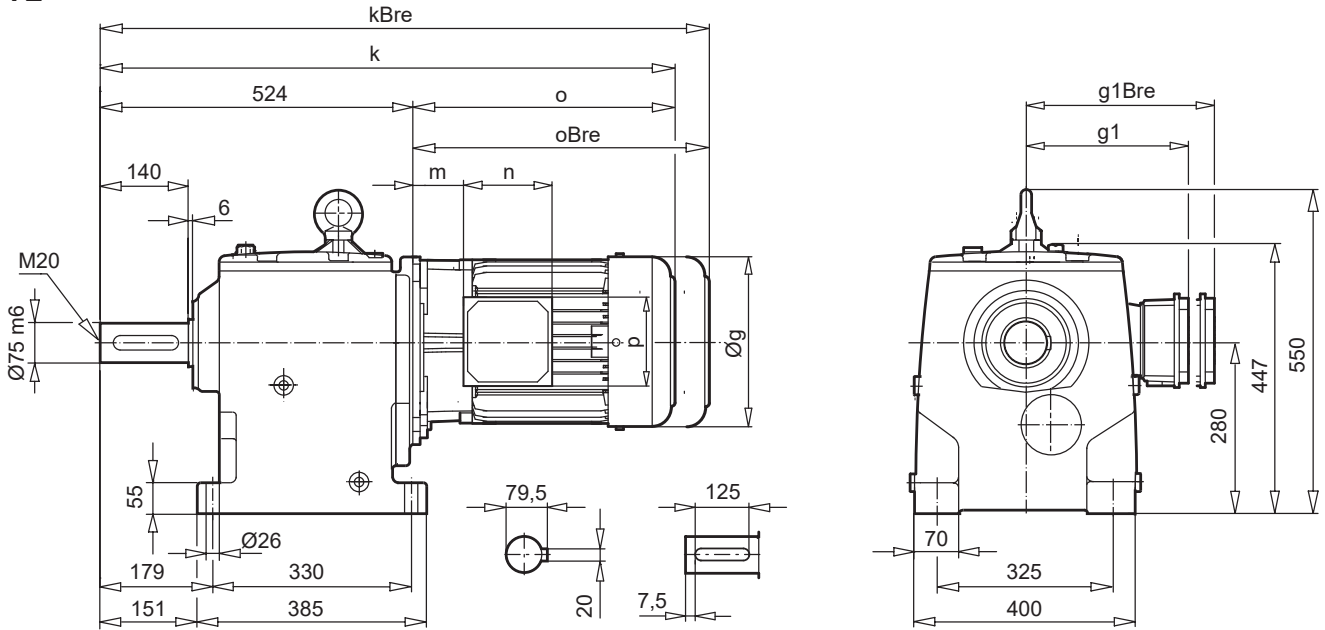
a1	b1	c1	e1	f1	s1
300	230	24	265	4,0	14

⇒ A61	90 SP/LP	100 LP/AP	112 MP	132 SP/MP	160 SP/MP	160 LP	180 MP/LP	
g	183	201	228	266	320	320	348	
g1 / g1Bre	147 / 147	169 / 173	179 / 182	204 / 201	242 / 242	242 / 242	258 / 258	
k / kBre	737 / 812	767 / 858	815 / 908	876 / 983	953 / 1088	997 / 1132	1097 / 1225	
k1 / k1Bre	781 / 856	811 / 902	859 / 952	920 / 1027	997 / 1132	1041 / 1176	1139 / 1267	
o / oBre	276 / 351	306 / 397	354 / 447	415 / 522	492 / 627	536 / 671	634 / 762	
m / mBre	26 / 30	32 / 36	48 / 52	51 / 42	52 / 52	52 / 52	74 / 74	
n / nBre	114 / 153	114 / 153	114 / 153	122 / 185	186 / 186	186 / 186	186 / 186	
p / pBre	114 / 108	114 / 108	114 / 108	122 / 139	186 / 186	186 / 186	186 / 186	
								C94
								A12

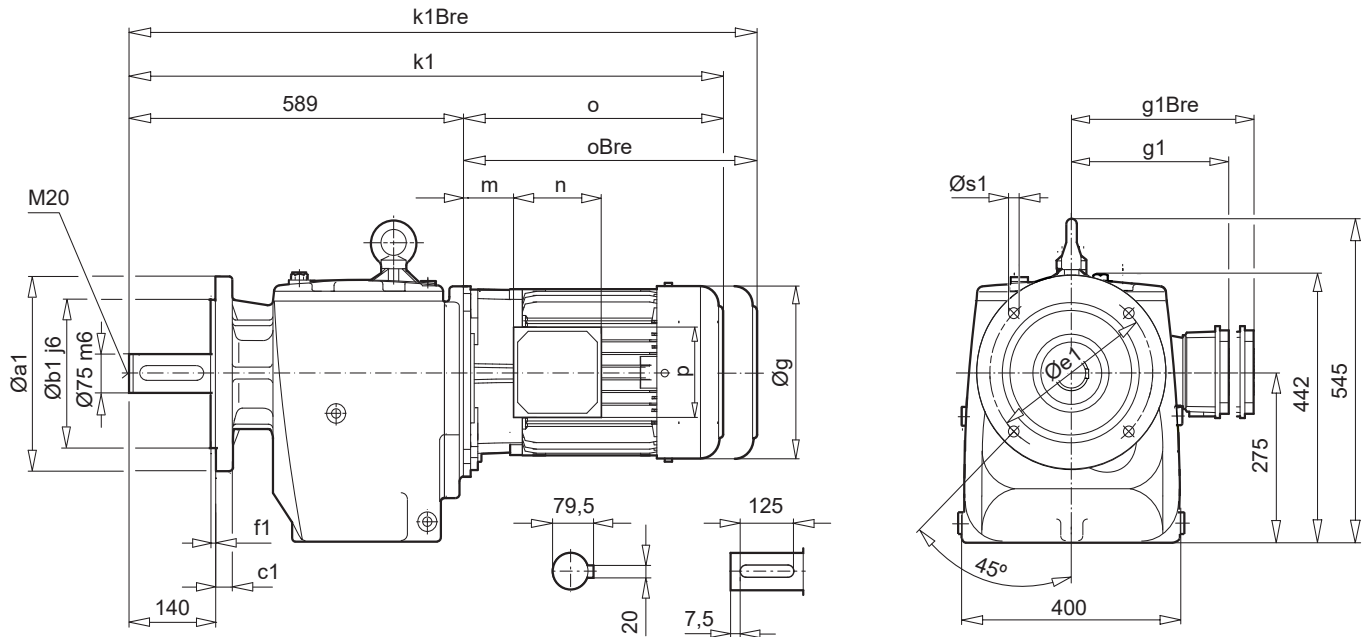
SK 72 SK 72F



SK 72



SK 72F

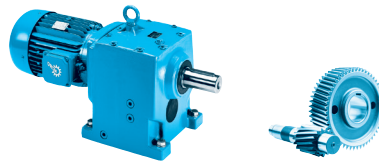


a1	b1	c1	e1	f1	s1
350	250	24	300	5,0	18

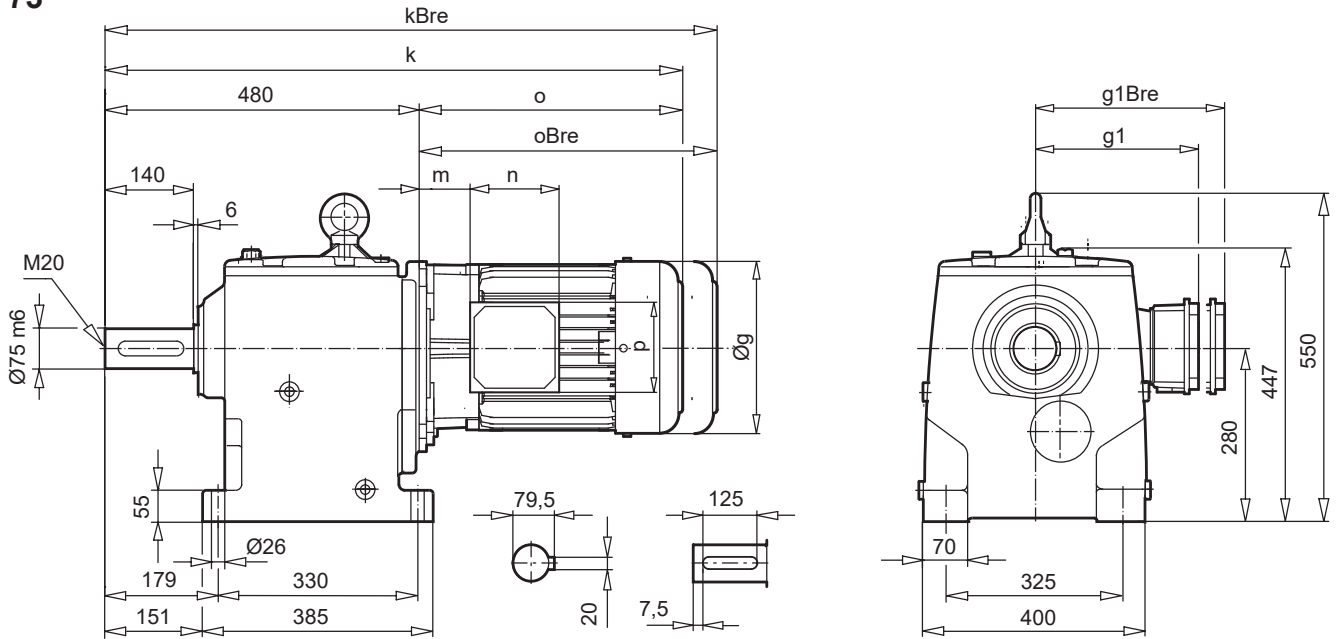
⇒ A61	132 MP	160 SP/MP	160 LP	180 MP/LP	225 RP	225 SP/MP	
g	266	320	320	358	443	443	
g1 / g1Bre	204 / 201	242 / 242	242 / 242	258 / 258	347 / 347	347 / 347	
k / kBre	959 / 1066	1016 / 1151	1060 / 1195	1138 / 1266	1266 / 1446	1266 / 1446	
k1 / k1Bre	1024 / 1131	1081 / 1216	1025 / 1260	1203 / 1331	1331 / 1511	1331 / 1511	
o / oBre	435 / 542	492 / 627	536 / 671	614 / 742	742 / 922	742 / 922	
m / mBre	71 / 64	52 / 52	52 / 52	54 / 54	94 / 94	94 / 94	
n / nBre	122 / 185	186 / 186	186 / 186	186 / 186	245 / 245	245 / 245	
p / pBre	122 / 139	186 / 186	186 / 186	186 / 186	245 / 245	245 / 245	

C95

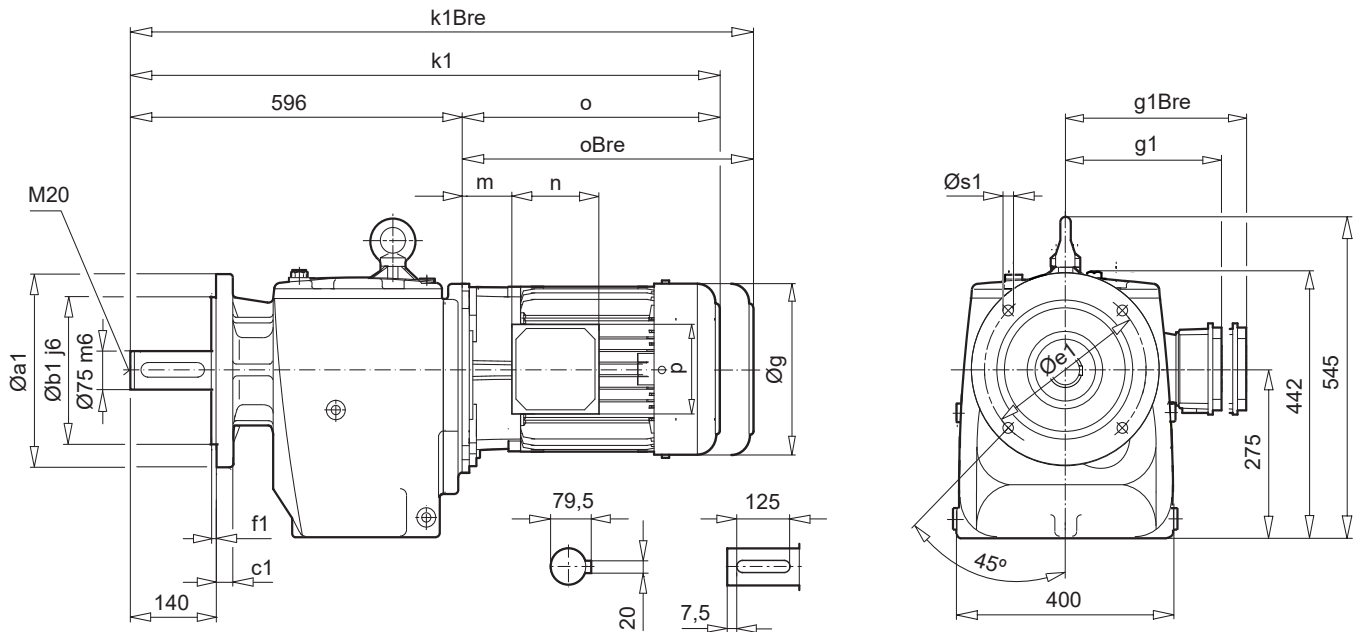
A12



SK 73



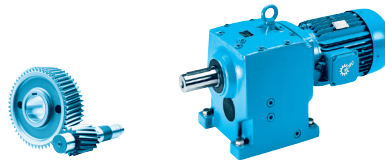
SK 73F



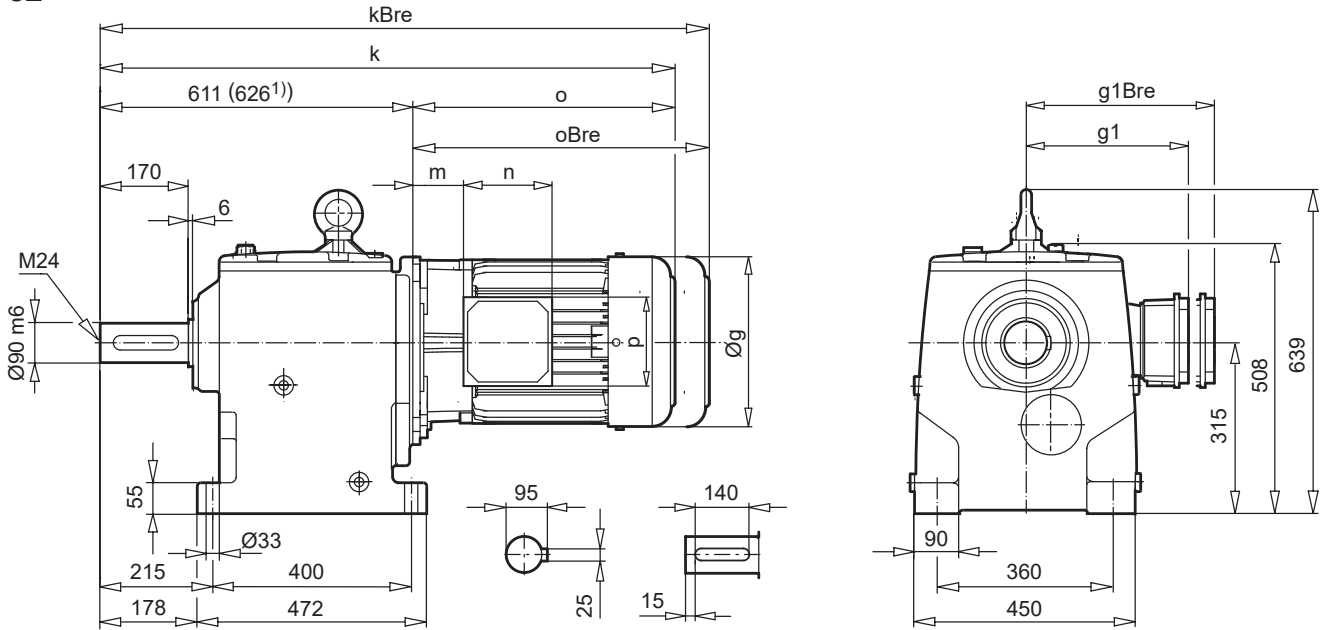
a1	b1	c1	e1	f1	s1
350	250	24	300	5,0	18

⇒ A61	100 LP/AP	112 MP	132 SP/MP	160 SP/MP	160 LP	180 MP/LP	225 RP	225 SP/MP	C95
g	201	228	266	320	320	348	443	443	A12
g1 / g1Bre	169 / 173	179 / 182	204 / 201	242 / 242	242 / 242	258 / 258	347 / 347	347 / 347	
k / kBre	837 / 928	882 / 975	966 / 1073	1023 / 1158	1067 / 1202	1145 / 1273	1273 / 1453	1273 / 1453	
k1 / k1Bre	902 / 993	947 / 1040	1031 / 1038	1088 / 1223	1132 / 1267	1210 / 1338	1338 / 1518	1338 / 1518	
o / oBre	306 / 397	351 / 444	435 / 542	492 / 627	536 / 671	614 / 742	742 / 922	742 / 922	
m / mBre	32 / 36	35 / 38	71 / 62	52 / 52	52 / 52	54 / 54	94 / 94	94 / 94	
n / nBre	114 / 153	114 / 153	122 / 185	186 / 186	186 / 186	186 / 186	245 / 245	245 / 245	
p / pBre	114 / 108	114 / 108	122 / 139	186 / 186	186 / 186	186 / 186	245 / 245	245 / 245	

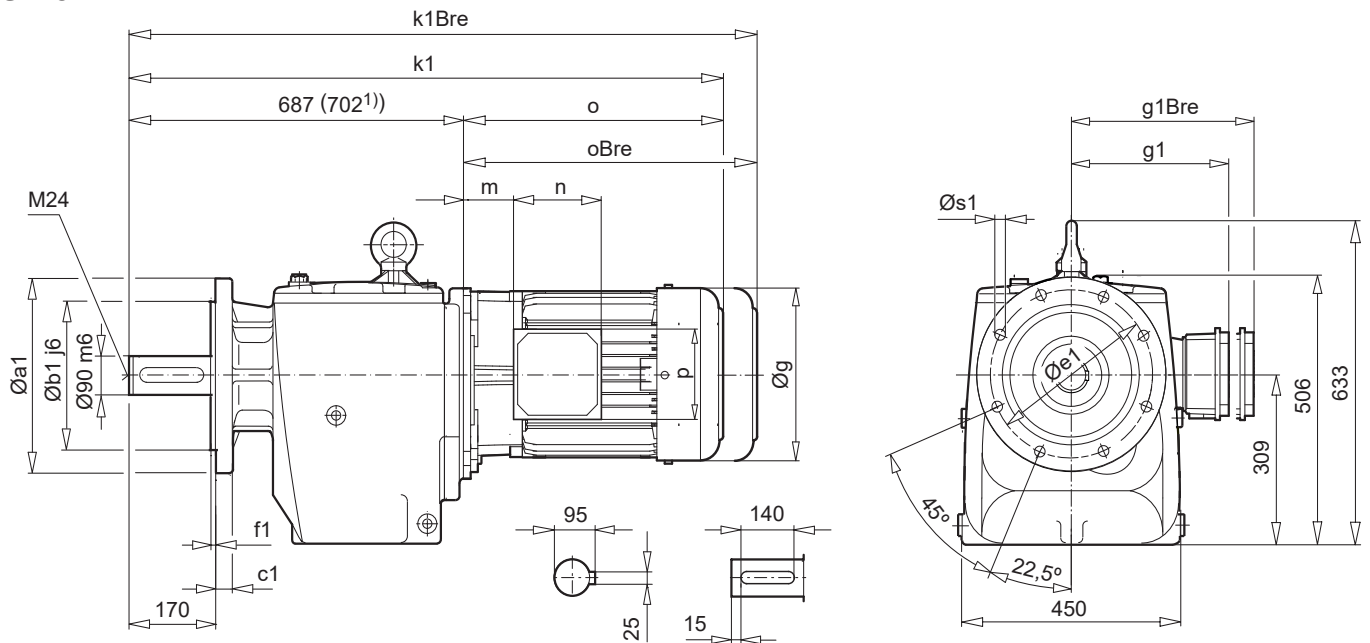
SK 82 SK 82F





SK 82

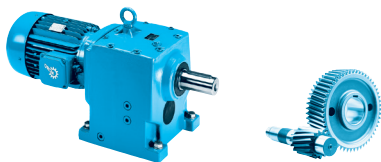


SK 82F

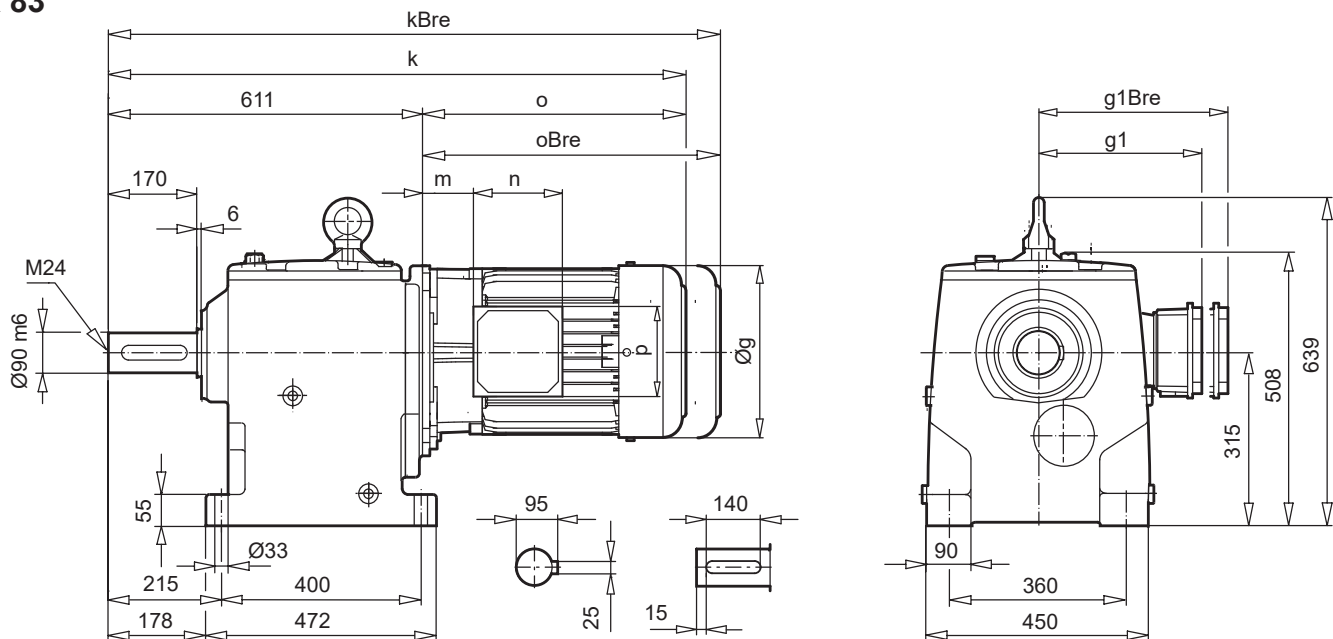


a1	b1	c1	e1	f1	s1
450	350	26	400	5,0	18

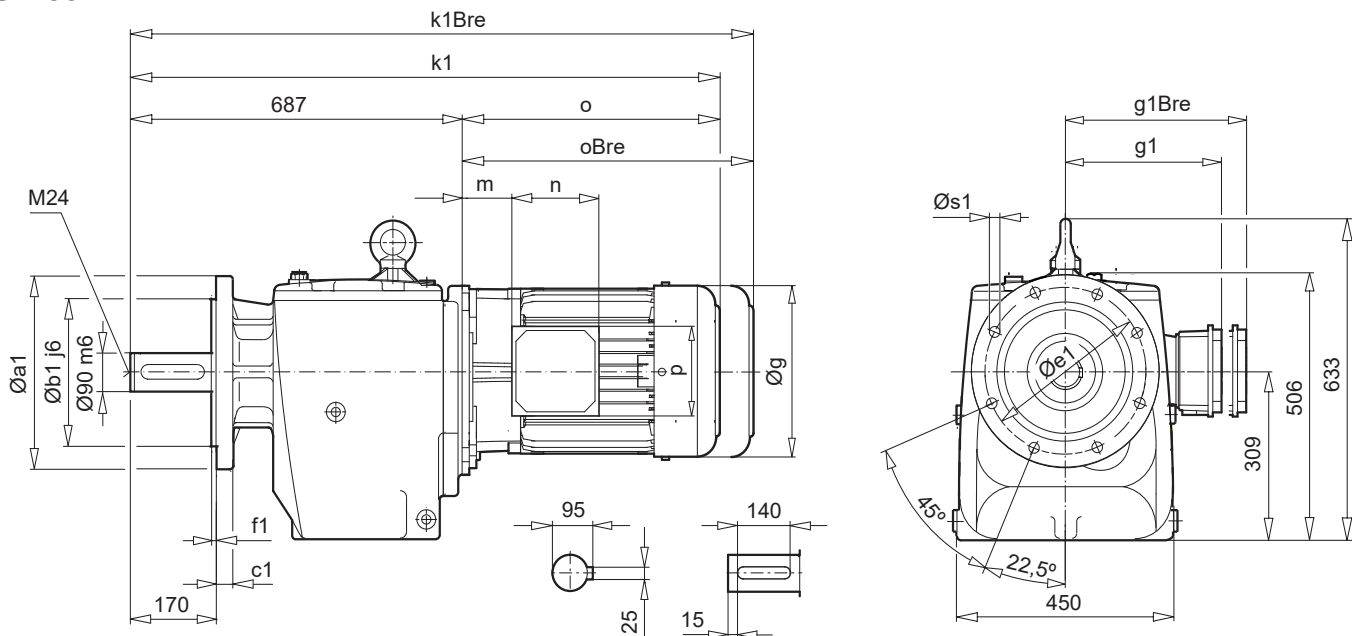
⇒ A61	160 SP/MP	160 LP	180 LP	225 RP	225 SP/MP	250 WP¹)	280 SP¹)	
g	320	320	358	443	443	443	551	
g1 / g1Bre	242 / 242	242 / 242	258 / 258	347 / 347	347 / 347	347 / 347	432 / 432	
k / kBre	1103 / 1238	1147 / 1282	1227 / 1355	1353 / 1533	1353 / 1533	1368 / 1548	1456 / 1636	 C96
k1 / k1Bre	1179 / 1314	1223 / 1358	1301 / 1429	1429 / 1609	1429 / 1609	1444 / 1624	1532 / 1712	
o / oBre	492 / 627	536 / 671	614 / 742	742 / 922	742 / 922	742 / 922	830 / 1010	
m / mBre	52 / 52	52 / 52	54 / 54	94 / 94	94 / 94	94 / 94	104 / 104	
n / nBre	186 / 186	186 / 186	186 / 186	245 / 245	245 / 245	245 / 245	233 / 233	
p / pBre	186 / 186	186 / 186	186 / 186	245 / 245	245 / 245	245 / 245	319 / 319	 A12



SK 83



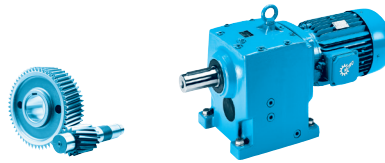
SK 83F



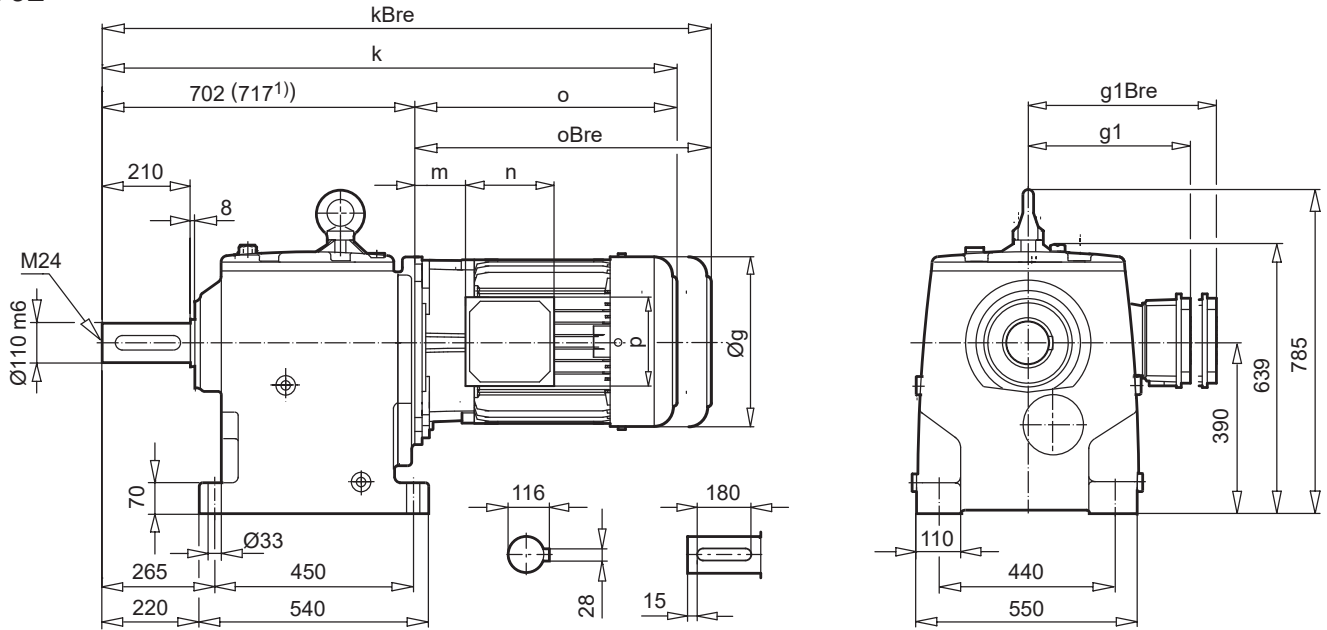
a1	b1	c1	e1	f1	s1
450	350	26	400	5,0	18

⇒ A61	100 LP/AP	112 MP	132 SP/MP	160 SP/MP	160 LP	180 MP/LP	225 RP	225 SP/MP	
g	201	228	266	320	320	348	443	443	
g1 / g1Bre	169 / 173	179 / 182	204 / 201	242 / 242	242 / 242	258 / 258	347 / 347	347 / 347	
k / kBre	917 / 1008	962 / 1055	1046 / 1153	1103 / 1238	1147 / 1282	1227 / 1355	1353 / 1533	1353 / 1533	C95
k1 / k1Bre	996 / 1084	1038 / 1131	1122 / 1228	1179 / 1314	1223 / 1358	1301 / 1429	1429 / 1609	1429 / 1609	
o / oBre	306 / 397	351 / 444	435 / 542	492 / 627	536 / 671	614 / 742	742 / 922	742 / 922	
m / mBre	32 / 36	35 / 38	71 / 62	52 / 52	52 / 52	54 / 54	94 / 94	94 / 94	A12
n / nBre	114 / 153	114 / 153	122 / 185	186 / 186	186 / 186	186 / 186	245 / 245	245 / 245	
p / pBre	114 / 108	114 / 108	122 / 139	186 / 186	186 / 186	186 / 186	245 / 245	245 / 245	

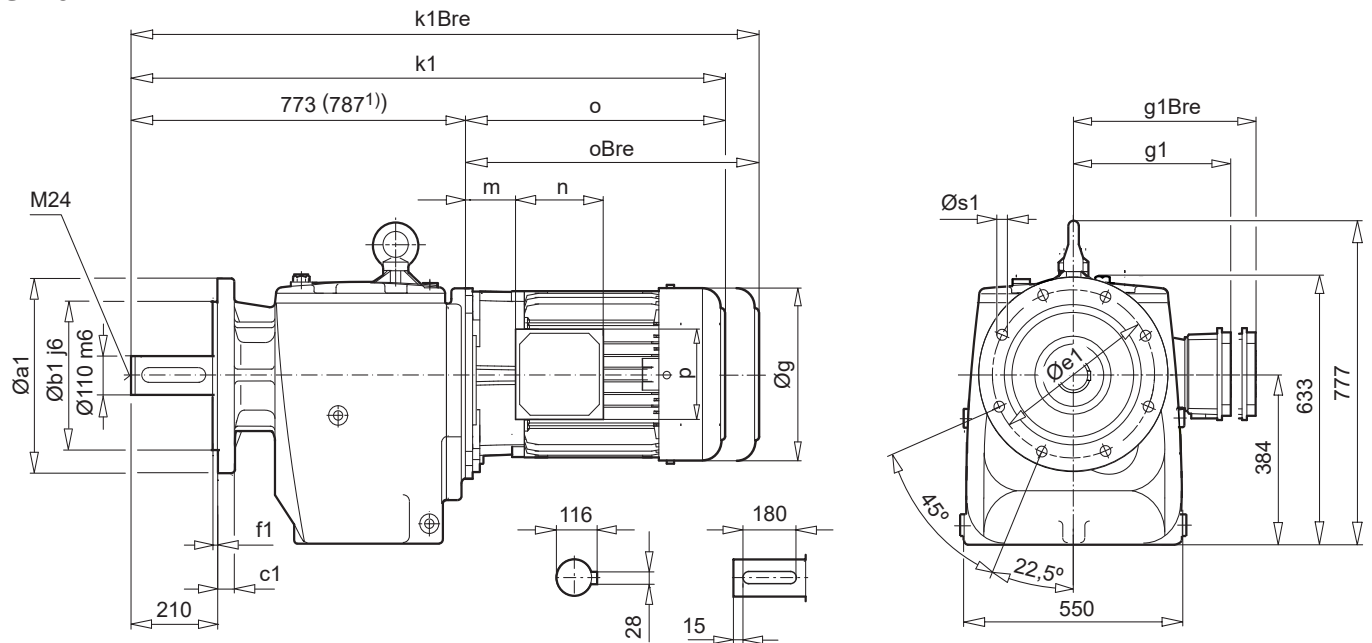
SK 92 SK 92F



SK 92

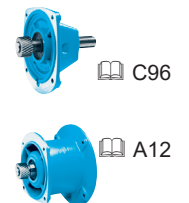


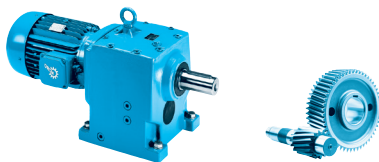
SK 92F



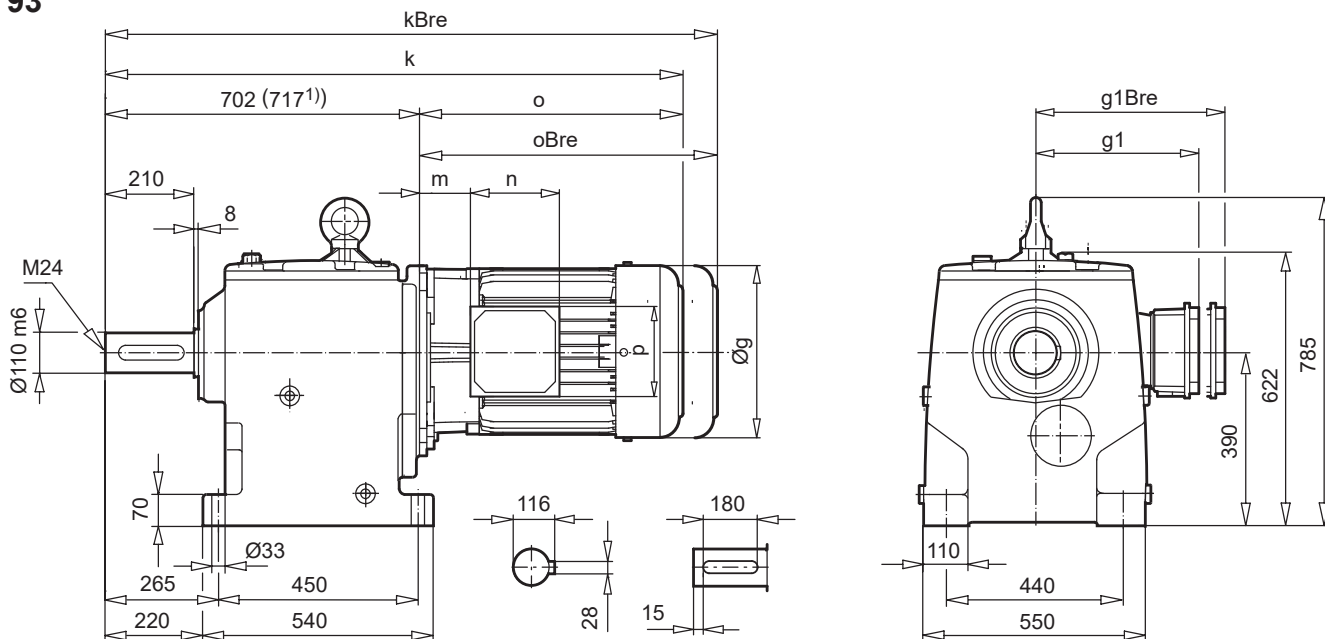
a1	b1	c1	e1	f1	s1
450	350	28	400	5,0	18

⇒ A61	225 SP/MP	250 WP ¹⁾	280 SP ¹⁾	280 MP ¹⁾	315 SP ¹⁾	315 MP/RP ¹⁾		
g	443	443	551	551	616	616		
g1 / g1Bre	347 / 347	347 / 347	432 / 432	434 / 434	516 / -	516 / -		
k / kBre	1444 / 1624	1459 / 1639	1547 / 1727	1647 / 1827	1629 / -	1794 / -		
k1 / k1Bre	1515 / 1695	1529 / 1709	1617 / 1797	1717 / 1897	1699 / -	1864 / -		
o / oBre	742 / 922	742 / 922	830 / 1010	930 / 1110	912 / -	1077 / -		
m / mBre	94 / 94	94 / 94	104 / 104	94 / 94	89 / -	89 / -		
n / nBre	245 / 245	245 / 245	233 / 233	233 / 233	299 / -	299 / -		
p / pBre	245 / 245	245 / 245	319 / 319	319 / 319	420 / -	420 / -		

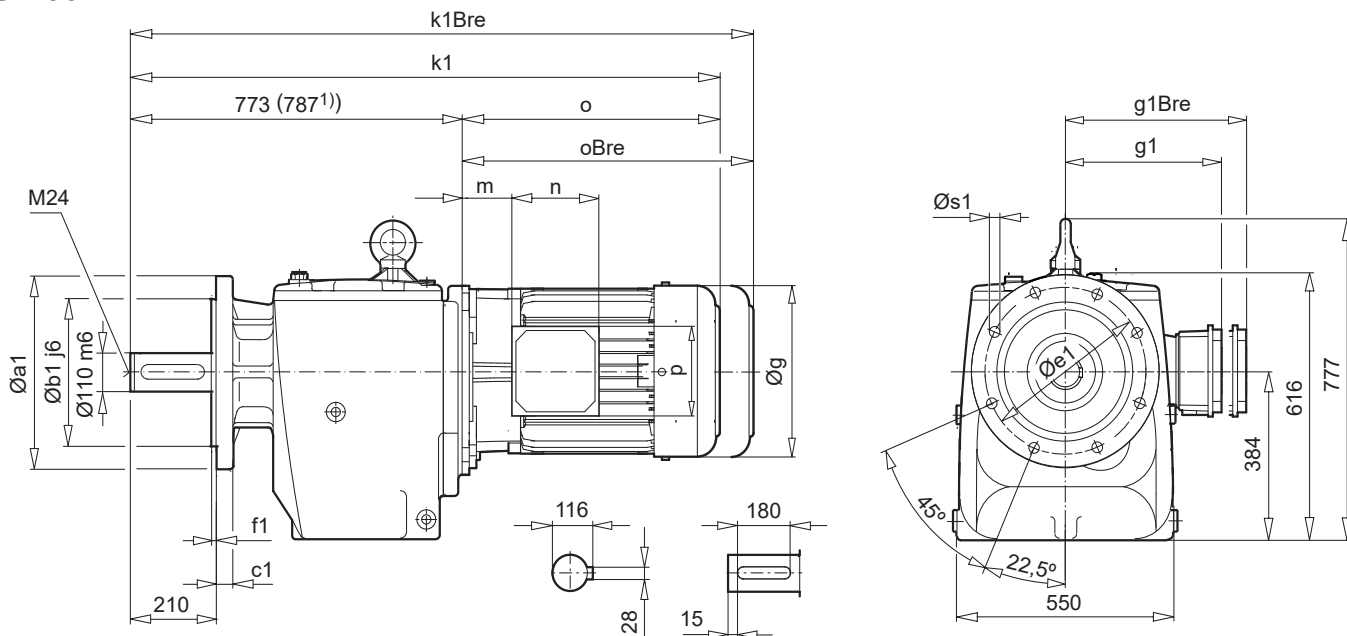




SK 93



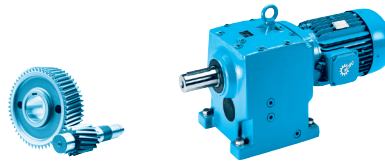
SK 93F



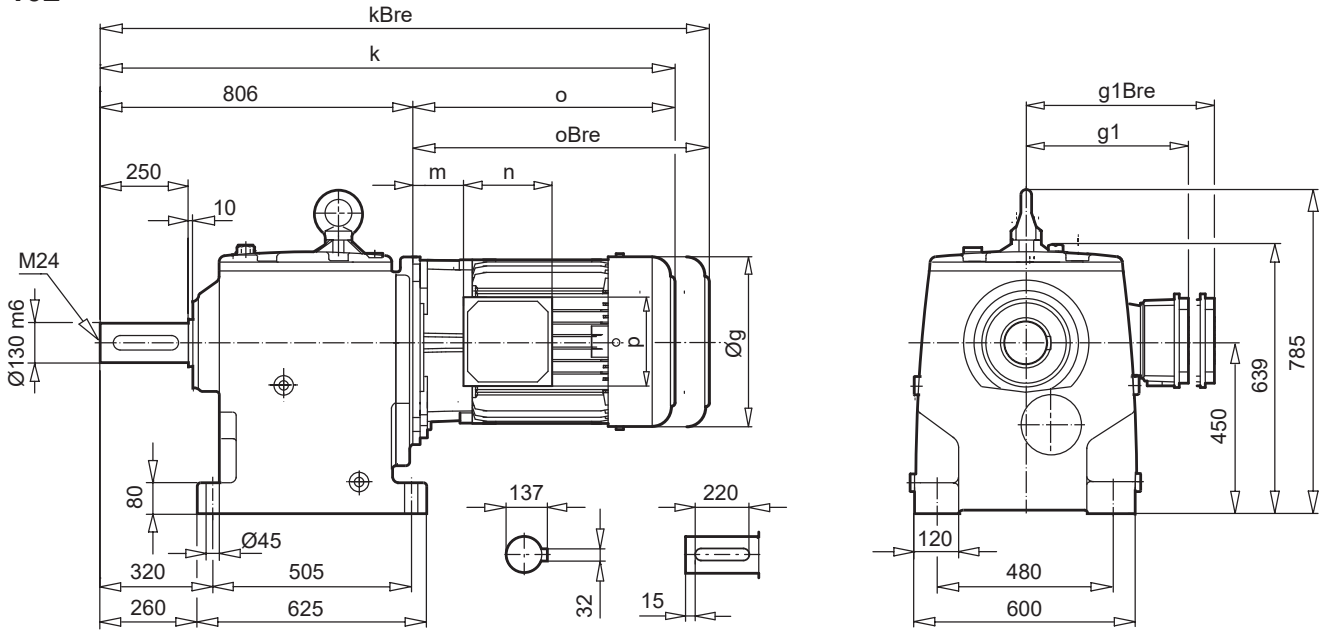
a1	b1	c1	e1	f1	s1
450	350	28	400	5,0	18

⇒ A61	132 SP/MP	160 SP/MP	160 LP	180 MP/LP	225 RP	225 SP/MP	250 WP ¹⁾	280 SP ¹⁾	280 MP ¹⁾	C95	A12
g	266	320	320	348	443	443	443	551	551		
g1 / g1Bre	204 / 201	242 / 242	242 / 242	258 / 258	347 / 347	347 / 347	347 / 347	432 / 432	434 / 434		
k / kBre	1137 / 1244	1194 / 1329	1238 / 1373	1318 / 1446	1444 / 1624	1444 / 1624	1459 / 1639	1547 / 1727	1647 / 1827		
k1 / k1Bre	1208 / 1315	1265 / 1400	1309 / 1444	1387 / 1515	1515 / 1695	1515 / 1695	1529 / 1709	1617 / 1797	1717 / 1897		
o / oBre	435 / 542	492 / 627	536 / 671	614 / 742	742 / 922	742 / 922	742 / 922	830 / 1010	930 / 1110		
m / mBre	71 / 62	52 / 52	52 / 52	54 / 54	94 / 94	94 / 94	94 / 94	104 / 104	94 / 94		
n / nBre	122 / 185	186 / 186	186 / 186	186 / 186	245 / 245	245 / 245	245 / 245	233 / 233	233 / 233		
p / pBre	122 / 139	186 / 186	186 / 186	186 / 186	245 / 245	245 / 245	245 / 245	319 / 319	319 / 319		

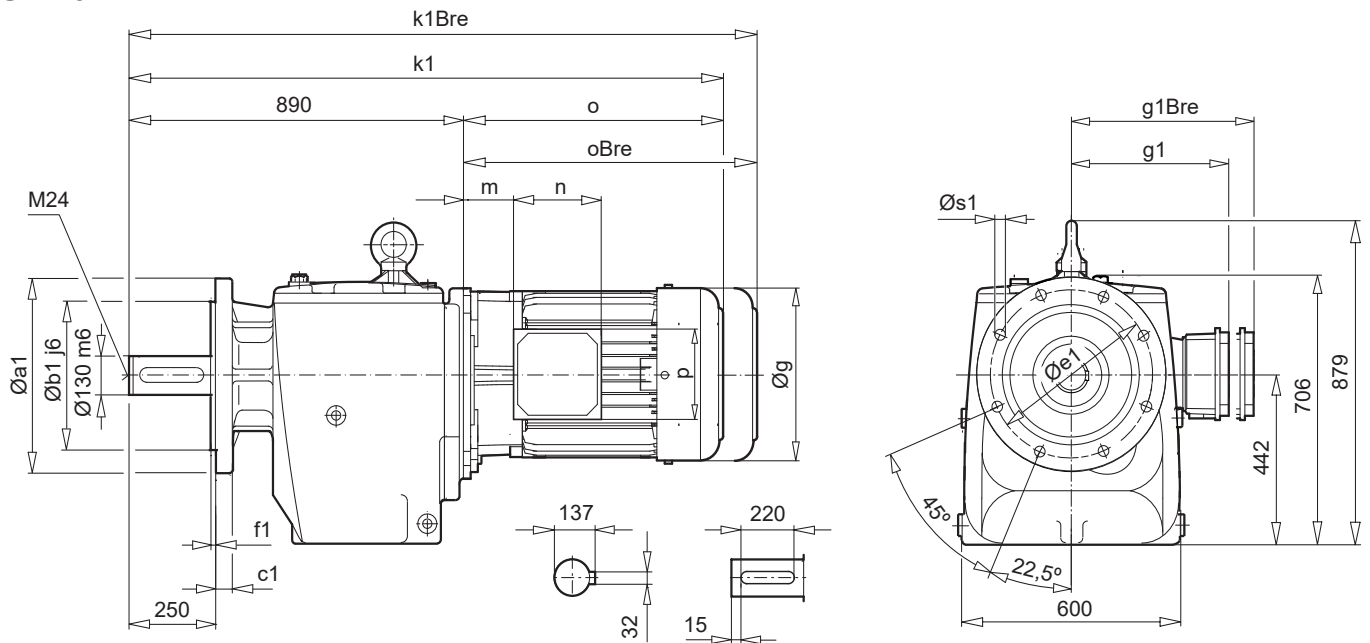
SK 102 SK 102F



SK 102

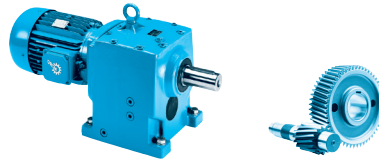


SK 102F

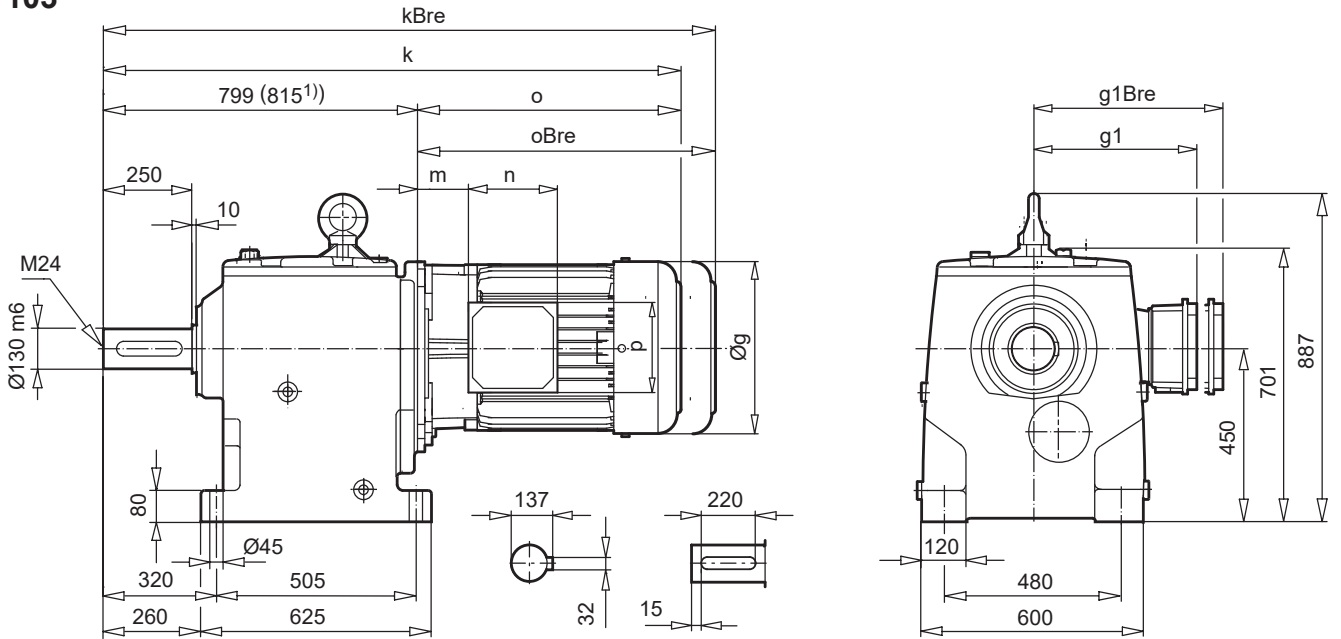


a1	b1	c1	e1	f1	s1
550	450	32	500	5,0	18

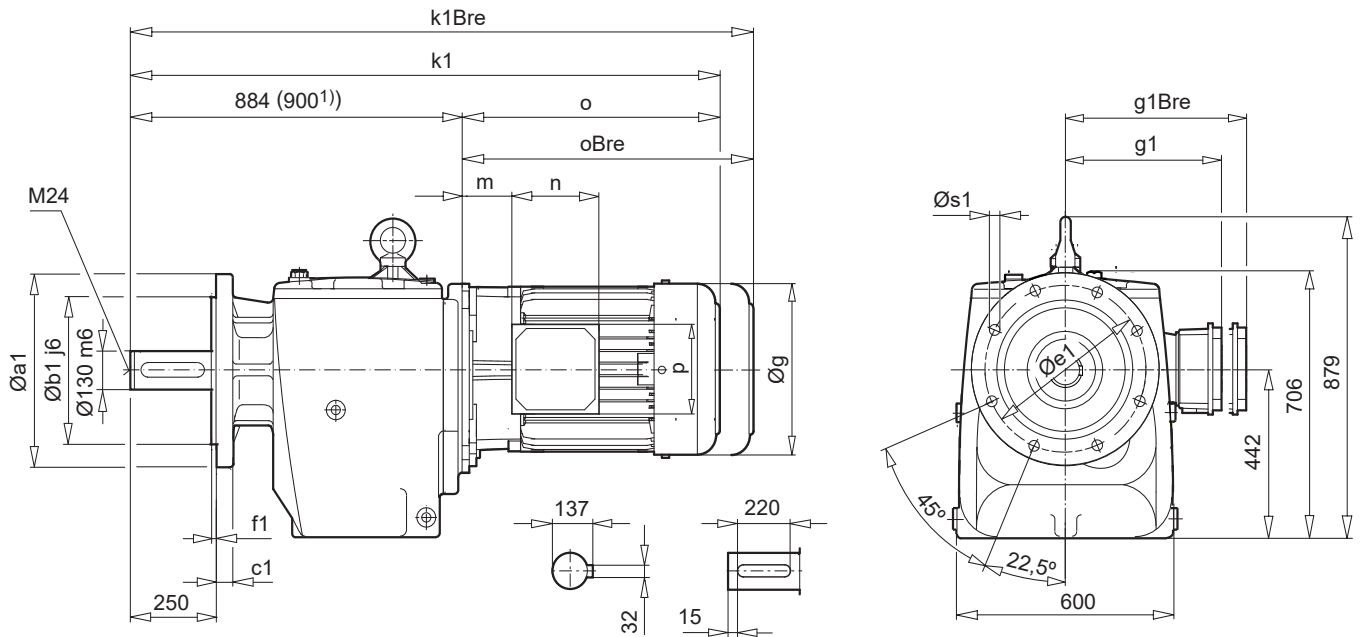
⇒ A61	250 WP	280 SP	280 MP	315 SP	315 MP/RP/LP		
g	443	551	551	616	616		
g1 / g1Bre	347 / 347	432 / 432	434 / 434	516 / -	516 / -		
k / kBre	1548 / 1728	1636 / 1816	1736 / 1916	1718 / -	1883 / -		
k1 / k1Bre	1632 / 1812	1720 / 1900	1820 / 2000	1802 / -	1967 / -		
o / oBre	742 / 922	830 / 1010	930 / 1110	912 / -	1077 / -		
m / mBre	94 / 94	104 / 104	94 / 94	89 / -	89 / -		C96
n / nBre	245 / 245	233 / 233	233 / 233	299 / -	299 / -		A12
p / pBre	245 / 245	319 / 319	319 / 319	420 / -	420 / -		



SK 103



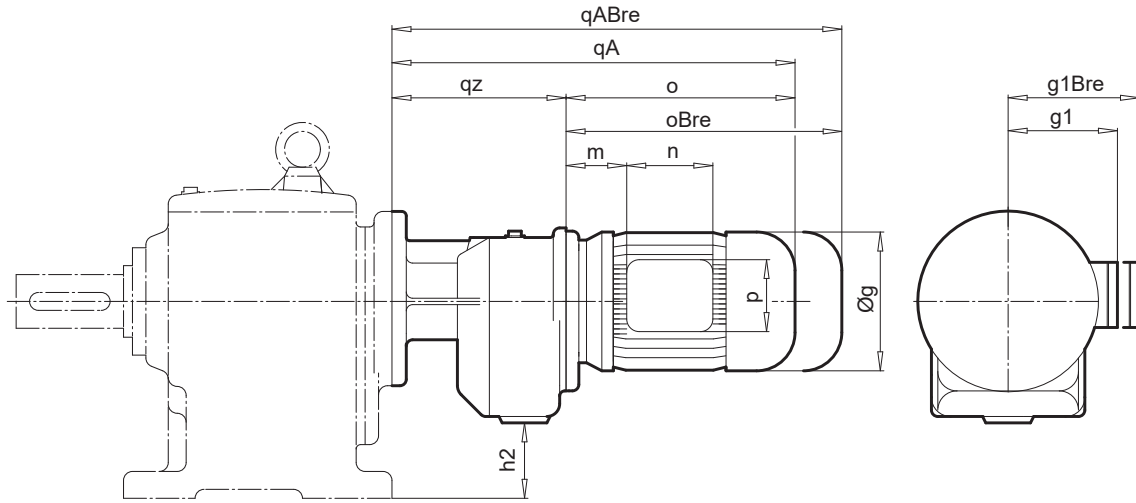
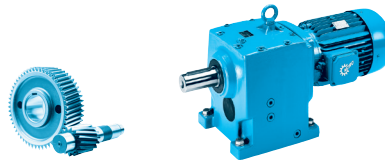
SK 103F



a1	b1	c1	e1	f1	s1
550	450	32	500	5,0	18

⇒ A61	132 SP/MP	160 SP/MP	160 LP	180 MP/LP	225 RP	225 SP/MP	250 WP¹)	280 SP¹)	280 MP¹)	315 SP¹)	
g	266	320	320	348	443	443	443	551	551	616	
g1 / g1Bre	204 / 201	242 / 242	242 / 242	258 / 258	347 / 347	347 / 347	347 / 347	432 / 432	434 / 434	516 / -	
k / kBre	1234 / 1341	1291 / 1426	1335 / 1470	1415 / 1543	1541 / 1721	1541 / 1721	1557 / 1737	1645 / 1825	1745 / 1925	1727 / -	
k1 / k1Bre	1319 / 1426	1376 / 1511	1420 / 1555	1498 / 1626	1626 / 1806	1626 / 1806	1642 / 1822	1730 / 1910	1830 / 2010	1812 / -	
o / oBre	435 / 542	492 / 627	536 / 671	614 / 742	742 / 922	742 / 922	742 / 922	830 / 1010	930 / 1110	912 / -	
m / mBre	71 / 62	52 / 52	52 / 52	54 / 54	94 / 94	94 / 94	94 / 94	104 / 104	94 / 94	89 / -	
n / nBre	122 / 185	186 / 186	186 / 186	186 / 186	245 / 245	245 / 245	245 / 245	233 / 233	233 / 233	299 / -	
p / pBre	122 / 139	186 / 186	186 / 186	186 / 186	245 / 245	245 / 245	245 / 245	319 / 319	319 / 319	420 / -	

SK 12/02 - SK 83/32

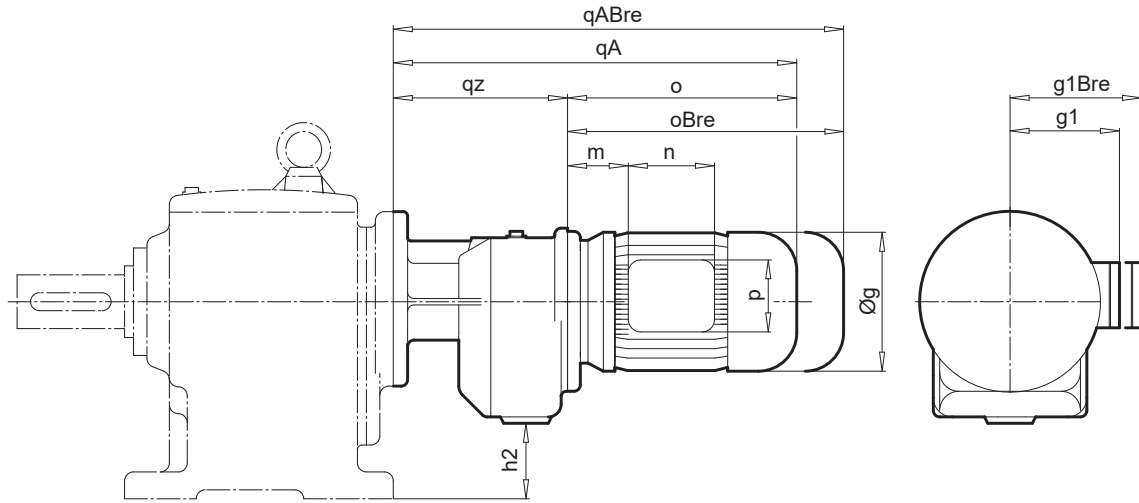
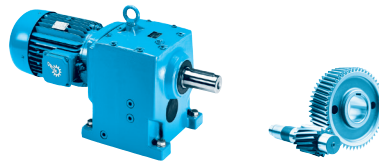


Helical Gear Units

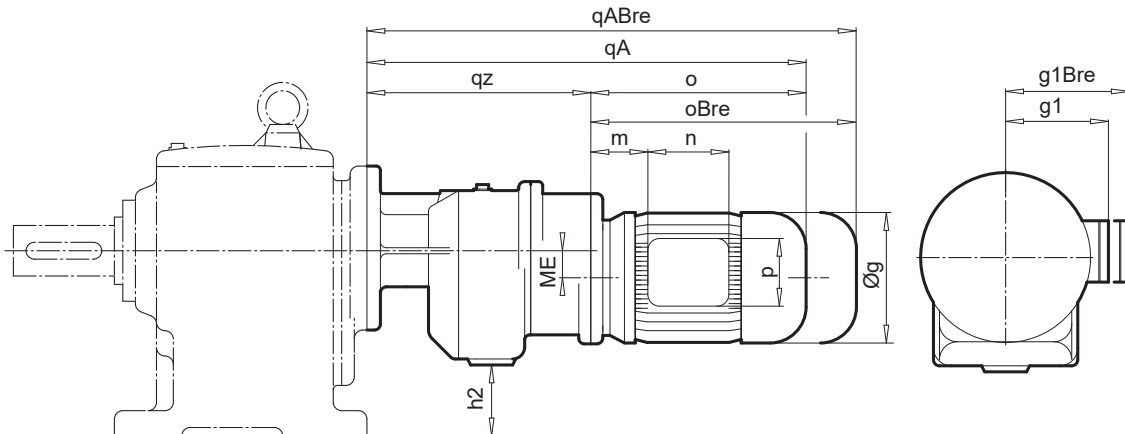
⇒ A61	SK 12/02		SK 22/02			SK 32/12				
	63 S/L	71 S/L	63 S/L	71 S/L	80 SH	63 S/L	71 S	80 SH		
g	130	145	130	145	165	130	145	165		
g1 / g1Bre	115 / 123	124 / 132	115 / 123	124 / 132	142 / 142	115 / 123	124 / 132	142 / 142		
qA / qABre	338 / 394	378 / 436	354 / 410	394 / 452	419 / 483	367 / 410	407 / 465	432 / 496		
o / oBre	196 / 252	236 / 294	196 / 252	236 / 294	261 / 325	196 / 423	236 / 294	261 / 325		
qz	142		158			171				
m / mBre	16 / 22	42 / 48	16 / 22	42 / 48	47 / 51	16 / 22	42 / 48	47 / 51		
n / nBre	100 / 134	100 / 134	100 / 134	100 / 134	114 / 153	100 / 134	100 / 134	114 / 153		
p / pBre	100 / 89	100 / 89	100 / 89	100 / 89	114 / 108	100 / 89	100 / 89	114 / 108		
h2	13		36			49				
⇒	SK 12 ⇒ C70		SK 22 ⇒ C72			SK 32 ⇒ C74				

⇒ A61	SK 42/12				SK 52/12					
	63 S/L	71 S/L	80 SH	90 LP	63 S/L	71 S/L	80 SH	80 LP		
g	130	145	165	183	130	145	165	165		
g1 / g1Bre	115 / 123	124 / 132	142 / 142	147 / 147	115 / 123	124 / 132	142 / 142	142 / 142		
qA / qABre	371 / 427	411 / 469	436 / 500	477 / 552	371 / 427	411 / 469	436 / 500	436 / 500		
o / oBre	196 / 252	236 / 294	261 / 325	302 / 377	196 / 252	236 / 294	261 / 325	261 / 325		
qz	175				175					
m / mBre	16 / 22	42 / 48	47 / 51	52 / 56	16 / 22	42 / 48	47 / 51	47 / 51		
n / nBre	100 / 134	100 / 134	114 / 153	114 / 153	100 / 134	100 / 134	114 / 153	114 / 153		
p / pBre	100 / 89	100 / 89	114 / 108	114 / 108	100 / 89	100 / 89	114 / 108	114 / 108		
h2	69				106					
⇒	SK 42 ⇒ C76				SK 52 ⇒ C78					

⇒ A61	SK 63/22, SK 73/22*					SK 73/32, SK 83/32*							
	71 L	80 SH	80 LP	90 SP/LP	100 LP/AP*	80 SH*	80 LP*	90 SP/LP	100 LP/AP	112 MP	132 SP		
g	145	165	165	183	201	165	165	183	201	228	266		
g1 / g1Bre	124 / 132	142 / 142	142 / 142	147 / 147	169 / 173	142 / 142	142 / 142	147 / 147	169 / 173	179 / 182	204 / 201		
qA / qABre	410 / 468	435 / 499	435 / 499	476 / 551	506 / 597	474 / 498	474 / 498	515 / 590	545 / 636	593 / 686	654 / 761		
o / oBre	230 / 288	255 / 319	255 / 319	296 / 371	326 / 417	255 / 319	255 / 319	296 / 371	326 / 417	374 / 467	435 / 542		
qz	180					219							
m / mBre	36 / 42	41 / 45	41 / 45	46 / 50	52 / 56	41 / 45	41 / 45	46 / 50	52 / 56	58 / 61	71 / 62		
n / nBre	100 / 134	114 / 153	114 / 153	114 / 153	114 / 153	114 / 153	114 / 153	114 / 153	114 / 153	114 / 153	122 / 185		
p / pBre	100 / 89	114 / 108	114 / 108	114 / 108	114 / 108	114 / 108	114 / 108	114 / 108	114 / 108	114 / 108	122 / 139		
h2	125, 155*					125, 160*							
⇒	SK 63 ⇒ C81, SK 73 ⇒ C83					SK 73 ⇒ C83, SK 83 ⇒ C85							



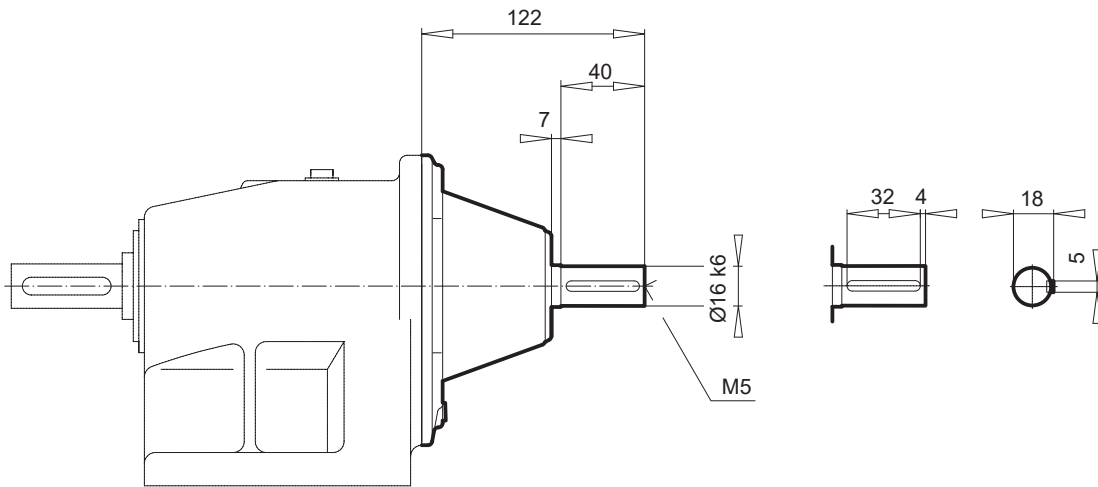
⇒	SK 83/42, SK 93/42*					SK 93/52		SK 103/52							
	90 SP/LP	100 LP/AP	112 MP	132 SP/MP	160 SP*	132 MP	180 MP	90 LP	100 LP/AP	112 MP	132 SP/MP	160 SP/MP	160 LP	180 MP/LP	
g	183	201	228	266	320	266	358	183	201	228	266	320	320	358	
g1 / g1Bre	147 / 147	169 / 173	179 / 182	204 / 201	242 / 242	204 / 201	258 / 258	147 / 147	169 / 173	179 / 182	204 / 201	242 / 242	242 / 242	258 / 258	
qA / qABre	537 / 612	567 / 658	615 / 708	676 / 783	753 / 888	715 / 822	934 / 1062	576 / 651	606 / 697	654 / 747	715 / 822	792 / 927	836 / 971	934 / 1062	
o / oBre	276 / 351	306 / 397	354 / 447	415 / 522	492 / 627	435 / 542	634 / 762	276 / 351	306 / 397	354 / 447	415 / 522	492 / 627	536 / 671	634 / 762	
qz	261					300		300							
m / mBre	26 / 30	32 / 36	38 / 41	51 / 42	52 / 52	51 / 42	74 / 74	26 / 30	32 / 36	38 / 41	51 / 42	52 / 52	52 / 52	74 / 74	
n / nBre	114 / 153	114 / 153	114 / 153	122 / 185	186 / 186	122 / 185	186 / 186	114 / 153	114 / 153	114 / 153	122 / 185	186 / 186	186 / 186	186 / 186	
p / pBre	114 / 108	114 / 108	114 / 108	122 / 139	186 / 186	114 / 108	186 / 186	114 / 108	114 / 108	114 / 108	122 / 139	186 / 186	186 / 186	186 / 186	
h2	140, 215*					178		238							
⇒	SK 83 ⇒ C85, SK 93 ⇒ C87					SK 93 ⇒ C87		SK 103 ⇒ C89							



⇒	SK 63/23			
	63 S/L	71 S/L	80 SH	
g	130	145	165	
g1 / g1Bre	115 / 123	124 / 132	142 / 142	
qA / qABre	436 / 492	476 / 534	501 / 565	
o / oBre	196 / 252	236 / 294	261 / 325	
qz	240			
m / mBre	16 / 22	42 / 48	47 / 51	
n / nBre	100 / 134	100 / 134	114 / 153	
p / pBre	100 / 89	100 / 89	114 / 108	
h2	125			
ME	42,5			
⇒	SK 63 ⇒ C81			



SK ... - W

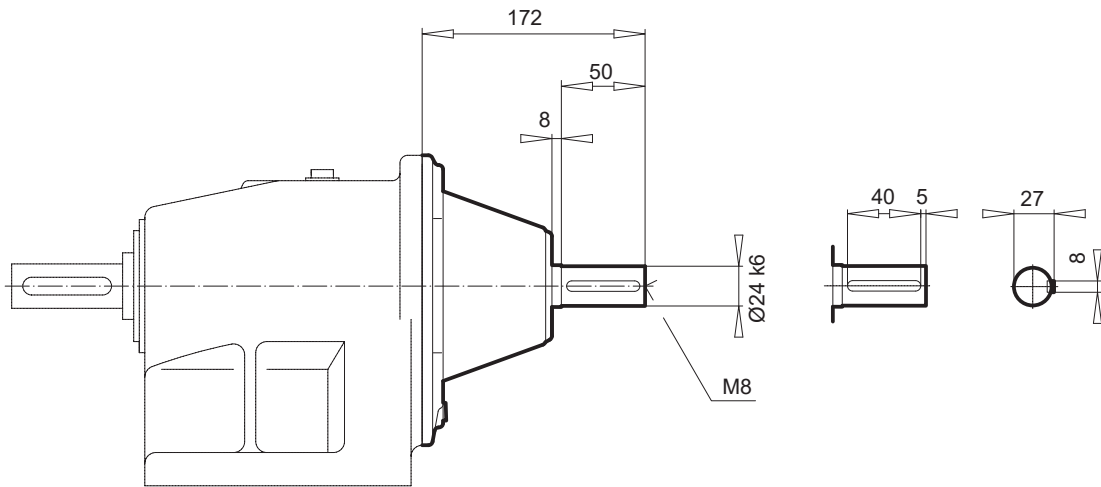


Type	⇒
SK 11E (F)	C63
SK 02 (F)	C68
SK 03 (F)	C69
SK 12 (F)	C70
SK 13 (F)	C71
SK 23 (F)	C73
SK 33N (F)	C75

Type	⇒
SK 12/02 (F)	C90
SK 22/02 (F)	C90
SK 32/12 (F)	C90
SK 42/12 (F)	C90
SK 52/12 (F)	C90
SK 63/23 (F)	C90

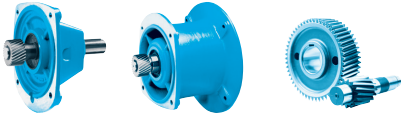


SK ... - W

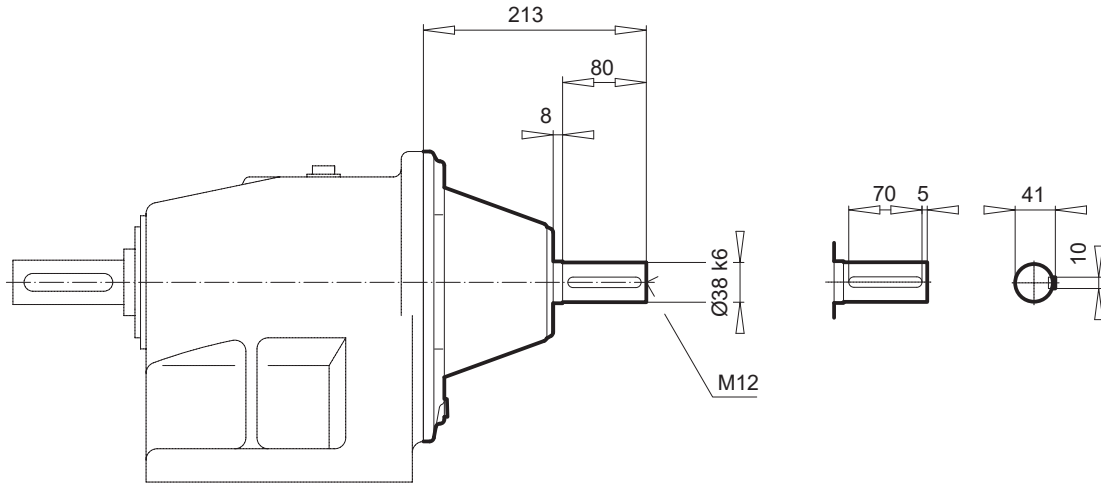


Type	⇒
SK 21E (F)	C64
SK 31E (F)	C65
SK 22 (F)	C72
SK 32 (F)	C74
SK 43 (F)	C77
SK 53 (F)	C79

Type	⇒
SK 63/22 (F)	C90
SK 73/22 (F)	C90
SK 73/32 (F)	C90
SK 83/32 (F)	C90



SK ... - W

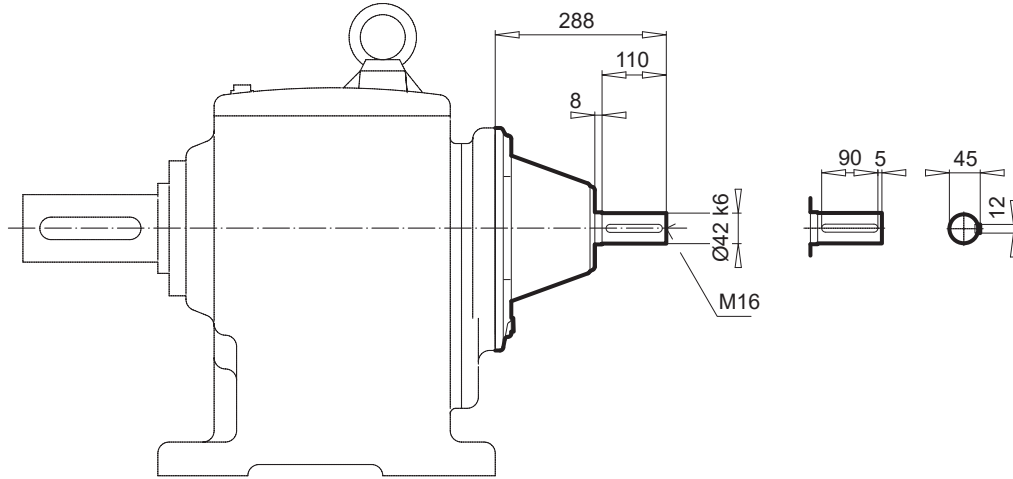


Type	⇒
SK 41E (F)	C66
SK 51E (F)	C67
SK 42 (F)	C76
SK 52 (F)	C78
SK 63 (F)	C81

Type	⇒
SK 83/42 (F)	C91
SK 93/42 (F)	C91
SK 93/52 (F)	C91
SK 103/52 (F)	C91



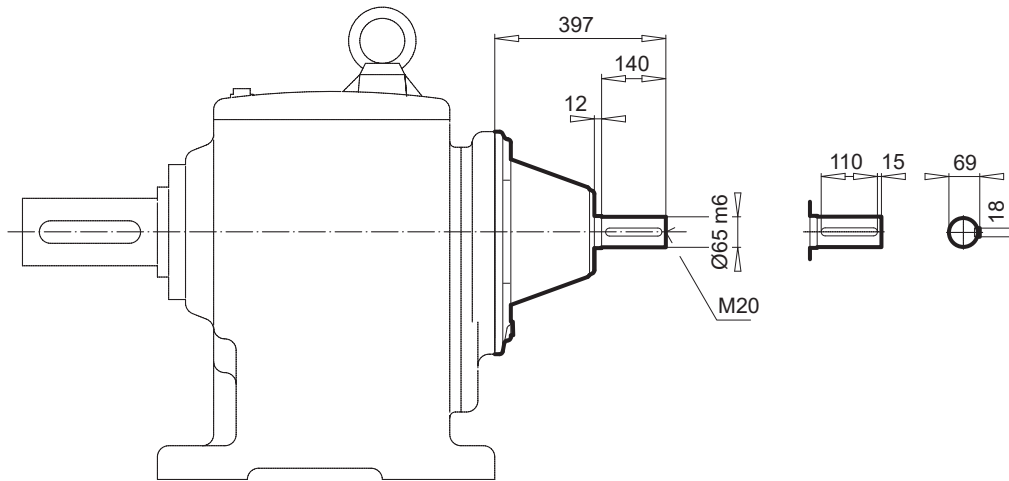
SK ... - W




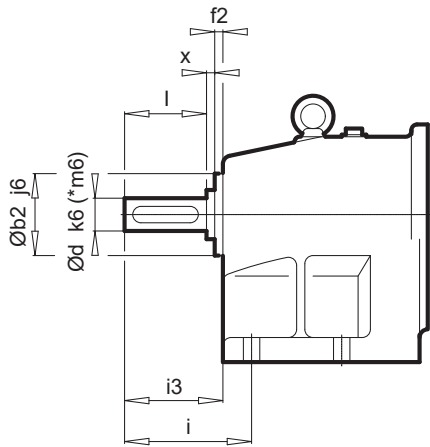
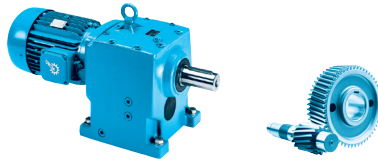
Type	⇒
SK 62 (F)	C80
SK 63 (F)	C81
SK 72 (F)	C82
SK 73 (F)	C83
SK 83 (F)	C85
SK 93 (F)	C87



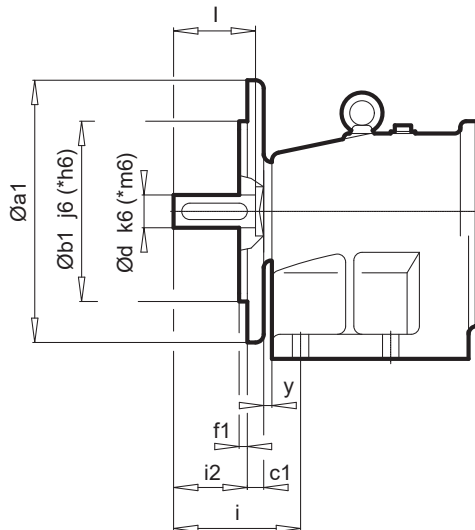
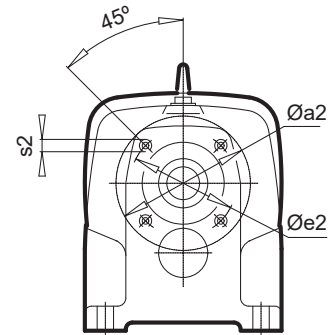
SK ... - W



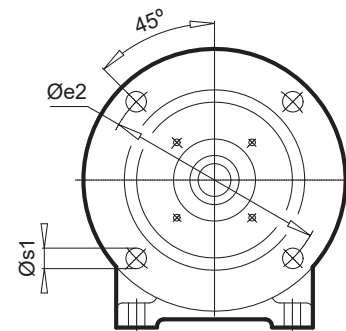
Type	⇒ 
SK 82 (F)	C84
SK 83 (F)	C85
SK 92 (F)	C86
SK 93 (F)	C87
SK 102 (F)	C88
SK 103 (F)	C89



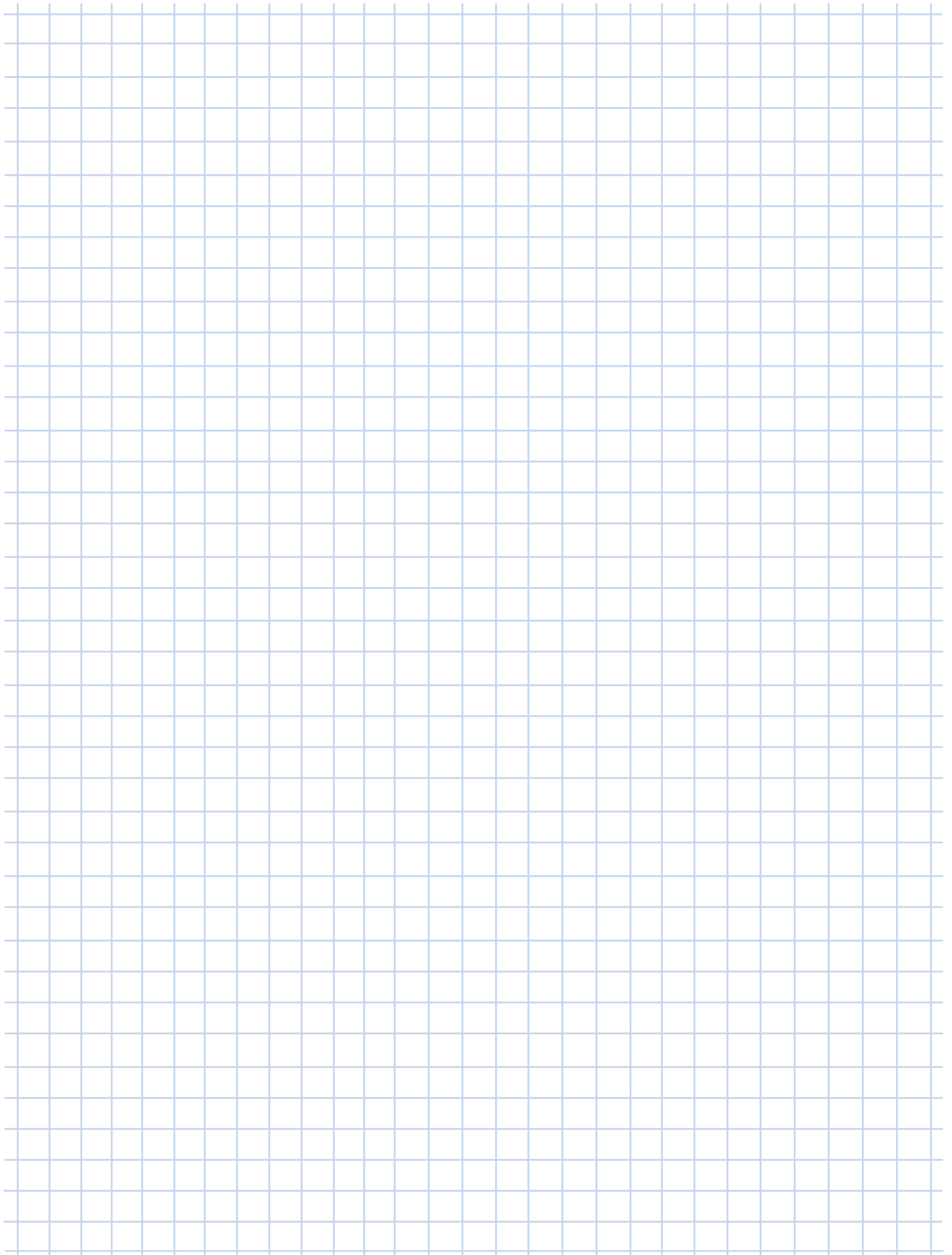
XZ = B14



XF = B5



⇒ A	a2	b2	e2	f2	s2	i	i3	a1	b1	c1	e1	f1	s1	i2	y	d	l	x
SK 02 X. SK 03 X.	90	55	72	8	M 8x13	52	42	160	110	10	130	3,5	9	27	5	20	40	3
SK 12 X. SK 13 X.	95	60	80	9	M 8x13	78	60	200	130	12	165	3,5	11	43	5	25	50	4
SK 22 X. SK 23 X.	130	72	100	10	M12x20	74	59	250	180	16	215	4,0	14	38	5	30	60	5
SK 32 X. SK 33N X.	150	90	120	11	M16x25	96	79	300	230	20	265	4,0	14	54	5	40	80	6
SK 42 X. SK 43 X.	165	105	135	14	M16x25	130	106	300	230	20	265	4,0	14	81	5	45	90	6
SK 52 X. SK 53 X.	200	134	165	19	M16x25	140	120	350	250*	20	300	5,0	18	95	5	55*	110	6
⇒	SK 02 - SK 53 ⇒ C68 - C79																	



Parallel Shaft Gear Units



ENQUIRY FORM..... D - 2

VERSIONS AVAILABLE..... D - 3

GEAR UNIT/MOTOR DATA

Power and speed tables D - 4

Power and speed tables

W- and IEC, AI adapters D - 42

DIMENSIONED DRAWINGS

Parallel geared motors D - 63

Parallel gear units, W-adapters D - 84

OPTIONS

AZ / VZ Hollow shaft / Solid shaft with B14 flange .. D - 90

AX / VX Foot-mounted housing D - 92

AXSH Shrink disk with cover D - 92

AVSH Reinforced shrink disk with cover D - 93

AH / AZH Cover as contact protection D - 94

VL2 / VL3 Agitator version D - 96

G / VG Rubber buffer for torque arm D - 98

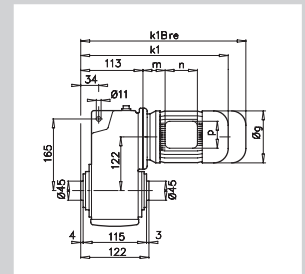
- Lieferbare Ausführungen F

hohlwelle

SK 1282 V
Vollwelle

SK 1282 V
Vollwelle, Flie


P_1 [kW]	n_2 [min ⁻¹]	M_2 [Nm]	f_B
0,55	1,0	4688	2,6 13
	1,3	3653	3,3 10
1,1		4808	1,5 13
1,4		3588	2,0 10
1,5		3203	2,2 9
2,0		2450	2,9 7
1,1	4319	1,3	12



Enquiry form




This general enquiry form can be found in the attachment as well as on the **NORD** homepage under www.nord.com - Heading DOCUMENTATION / FORMS.




General enquiry form

Company	<input style="width: 100%;" type="text"/>		
Street	<input style="width: 100%;" type="text"/>		
Town	<input style="width: 60%;" type="text"/>	Post-code	<input style="width: 20%;" type="text"/>
Contact	<input style="width: 100%;" type="text"/>		
Tel.:	<input style="width: 60%;" type="text"/>	Customer No.	<input style="width: 20%;" type="text"/>
Fax:	<input style="width: 60%;" type="text"/>	Application	<input style="width: 20%;" type="text"/>
Email	<input style="width: 60%;" type="text"/>	Project	<input style="width: 20%;" type="text"/>







NORD DRIVESYSTEMS
 Rudolf-Diesel-Straße 1
 D-22941 Bargteheide
 Tel.: +49(0) 4532/401-0
 Fax: +49(0)4532/401-254
 E-Mail info@nord.com
 www.nord.com




Components required			
<input type="checkbox"/> Gear unit motor	<input type="checkbox"/> IEC – Gear unit motor	<input type="checkbox"/> Gear unit with free shaft end	<input type="checkbox"/> Stand-alone motor

Quantity <input style="width: 90%;" type="text"/>	Type <input style="width: 90%;" type="text"/>
---	---

Parameters specific to the gear unit	Parameters specific to gear unit
Version <input style="width: 60%;" type="text"/>	Gear ratio <input style="width: 60%;" type="text"/>
Flange <input type="checkbox"/> B14 <input type="checkbox"/> B5 \varnothing <input style="width: 60%;" type="text"/> [mm]	Bearings <input type="checkbox"/> Normal <input type="checkbox"/> VL <input type="checkbox"/> VL2 <input type="checkbox"/> VL3 <input type="checkbox"/> AL
<input type="checkbox"/> Hollow shaft <input type="checkbox"/> Solid shaft \varnothing <input style="width: 30%;" type="text"/> x <input style="width: 30%;" type="text"/> [mm]	For bevel gear or worm gear units Shaft at <input type="checkbox"/> A <input type="checkbox"/> B
Output speed at mains frequency n_2 <input style="width: 60%;" type="text"/> [min ⁻¹]	<input type="checkbox"/> Mineral <input type="checkbox"/> Synthetic <input type="checkbox"/> Foodstuff-compatible oil
Output torque M_2 <input style="width: 60%;" type="text"/> [Nm]	Oil type <input type="checkbox"/> Special oil type <input style="width: 60%;" type="text"/>
Min. operating factor f_b <input style="width: 60%;" type="text"/>	Parameters specific to motor
Min. bearing life L_h <input style="width: 60%;" type="text"/> [h]	Effective motor power <input style="width: 60%;" type="text"/> [kW]
Radial forces on output shaft F_{R2} <input style="width: 60%;" type="text"/> [N]	Motor speed n_1 <input style="width: 60%;" type="text"/> [min ⁻¹]
Axial forces on output shaft F_{A2} <input style="width: 60%;" type="text"/> [N]	Temperature sensor (PTC) <input type="checkbox"/> Bi-metal temperature monitor <input type="checkbox"/>
Dist. from shaft collar to point of action of force <input style="width: 60%;" type="text"/> [mm]	Mains voltage <input style="width: 30%;" type="text"/> [V] +/- <input style="width: 30%;" type="text"/> [%]
	Mains frequency <input style="width: 60%;" type="text"/> [Hz]

Page 1 of 2



Outline conditions

Ambient temperatures	<input style="width: 60%;" type="text"/>	from	<input style="width: 60%;" type="text"/>	[°C]
<input type="checkbox"/> Buffer mounting for travelling drives	<input style="width: 60%;" type="text"/>	[Nm]		
<input type="checkbox"/> Relative humidity	<input style="width: 60%;" type="text"/>	[%]		
<input type="checkbox"/> Exposure to direct sunlight				
<input type="checkbox"/> Aggressive media (e.g.: salty air)				
<input type="checkbox"/> Increased installation altitude	<input style="width: 60%;" type="text"/>	[m]		
<input type="checkbox"/> Precipitation				
<input type="checkbox"/> ATEX (explosive mixtures in the vicinity)	Zone	<input style="width: 60%;" type="text"/>		

Painting

<input type="checkbox"/> Not painted				
<input type="checkbox"/> Paint 1.0 - Primer				
<input type="checkbox"/> Paint 2.0 - standard				
<input type="checkbox"/> Paint 3.0 - normal environmental contamination				
<input type="checkbox"/> Paint 3.1 - moderate environmental contamination				
<input type="checkbox"/> Paint 3.2 - severe environmental contamination				
<input type="checkbox"/> Other painting (e.g.: Z, 3.4 or 3.5)	<input style="width: 60%;" type="text"/>			
<input type="checkbox"/> Special colour (Standard RAL7031)	RAL	<input style="width: 60%;" type="text"/>		
<input type="checkbox"/> Regulations DIN EN, etc., please state	<input style="width: 60%;" type="text"/>			

General conditions

Quote by	<input style="width: 60%;" type="text"/>
Purchasing conditions	known <input type="checkbox"/> not known <input type="checkbox"/>
Purchasing conditions attached	<input type="checkbox"/>
Delivery time after receipt of order	<input style="width: 60%;" type="text"/>
Delivery carriage paid	<input type="checkbox"/>

<input type="checkbox"/> Control cabinet inverter		<input type="checkbox"/> Motor-mounted inverter	
Adjustment range from	<input style="width: 60%;" type="text"/> [Hz]	to	<input style="width: 60%;" type="text"/> [Hz]
<input type="checkbox"/> Constant torque within adjustment range	<input style="width: 60%;" type="text"/> [Nm]		
<input type="checkbox"/> External fan			
<input type="checkbox"/> Increase in motor size (with constant torque)			
<input type="checkbox"/> Positioning	<input type="checkbox"/> Incremental	<input type="checkbox"/> Absolute	
<input type="checkbox"/> Speed feedback			
<input type="checkbox"/> Generator operation for power feedback	<input style="width: 60%;" type="text"/> [kW]		
<input type="checkbox"/> Bus system- type of bus system	<input style="width: 60%;" type="text"/>		
<input type="checkbox"/> Control via	<input type="checkbox"/> PC	<input type="checkbox"/> Control box	

Comments	<input style="width: 90%;" type="text"/>
----------	--

Page 2 of 2

Parallel shaft gear units

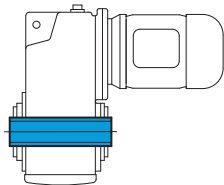
Examples - available versions: parallel shaft geared motor

With hollow shaft

With solid shaft

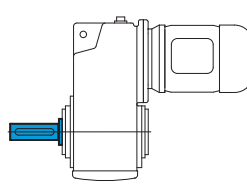
SK 1282 A - 90 LP/4

Hollow shaft



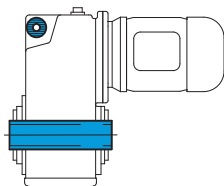
SK 1282 V - 90 LP/4

Solid shaft



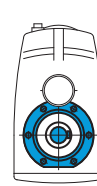
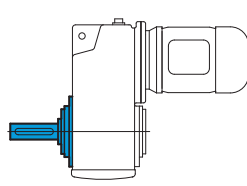
SK 1282 AG - 90 LP/4

Hollow shaft, rubber buffer for torque arm



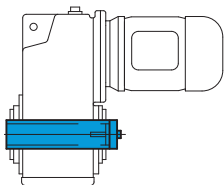
SK 1282 VZ - 90 LP/4

Solid shaft, B14 flange



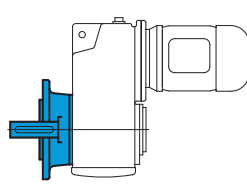
SK 1282 AB - 90 LP/4

Hollow shaft, fastening element



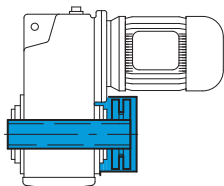
SK 1282 VF - 90 LP/4

Solid shaft, B5 flange



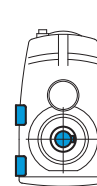
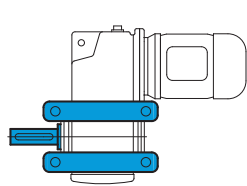
SK 1282 ASH - 80 LP/4

Hollow shaft, shrink disk
See page A25



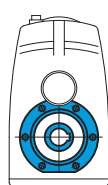
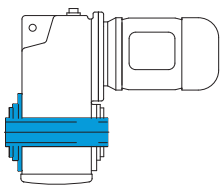
SK 1282 VX - 90 LP/4

Solid shaft, foot-mounted housing



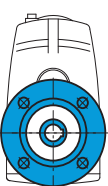
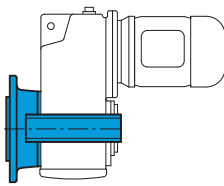
SK 1282 AZ - 90 LP/4

Hollow shaft, B14 flange



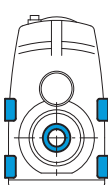
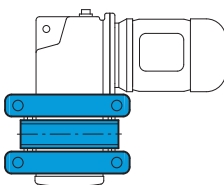
SK 1282 AF - 90 LP/4

Hollow shaft, B5 flange



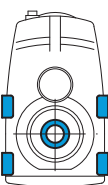
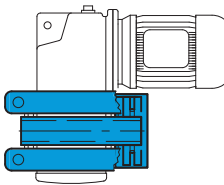
SK 1282 AX - 90 LP/4

Hollow shaft,
Foot-mounted housing



SK 1282 AXSH - 90 LP/4

Hollow shaft, shrink disk,
foot-mounted housing



Parallel shaft gear units

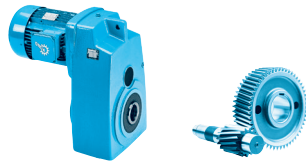
0,12 kW
0,18 kW




P_1 [kW]	n_2 [min ⁻¹]	M_2 [Nm]	f_B	i_{ges}	F_R [kN]	F_A [kN]	$F_{R VL}$ [kN]	$F_{A VL}$ [kN]	Type	kg	mm
0,12	1,0	769	2,3	1343,53	21,5	22,0	30,3	30,0	SK 4282/12 - 63 S/4	69	D66 D82
	1,2	636	2,8	1110,82	21,7	22,0	30,4	30,0			
	1,5	500	3,6	873,31	21,9	22,0	30,6	30,0			
	1,0	765	1,2	1335,98	15,0	14,5	21,9	20,0	SK 3282/12 - 63 S/4	54	D64 D82
	1,3	611	1,5	1067,99	15,5	14,5	22,2	20,0			
	1,6	488	1,8	853,43	15,9	14,5	22,5	20,0			
	1,9	393	2,3	686,08	16,1	14,5	22,6	20,0			
	1,1	*1125	0,8	808,42	13,1	14,5	20,6	20,0	SK 3382 - 63 L/6	52	D65
	1,2	963	1,0	726,61	14,1	14,5	21,2	20,0			
	1,5	774	1,3	584,13	14,9	14,5	21,8	20,0			
	1,3	878	0,9	1022,42	14,5	14,5	21,5	20,0	SK 3382 - 63 S/4	52	D65
	1,7	694	1,5	808,42	15,2	14,5	22,0	20,0			
1,8	624	1,5	726,61	15,5	14,5	22,2	20,0				
2,3	501	2,0	584,13	15,8	14,5	22,5	20,0				
2,8	414	2,1	482,56	16,0	14,5	22,6	20,0				
3,3	351	2,3	408,58	16,1	14,5	22,7	20,0				
1,3	609	0,9	1064,71	7,3	12,0	12,2	15,0	SK 2282/02 - 63 S/4	37	D64 D82	
1,6	472	1,1	824,77	8,6	12,0	13,0	15,0				
1,1	*548	0,8	763,41	8,0	12,0	12,6	15,0	SK 2382 - 63 L/6	36	D65	
1,4	*651	0,8	623,10	6,9	12,0	12,0	15,0				
1,8	*651	0,8	482,56	6,9	12,0	12,0	15,0				
1,7	*548	0,8	763,41	8,0	12,0	12,6	15,0	SK 2382 - 63 S/4	36	D65	
2,1	535	1,0	623,10	8,1	12,0	12,7	15,0				
2,8	414	1,3	482,56	8,9	12,0	13,2	15,0				
3,4	336	1,6	390,93	9,4	12,0	13,5	15,0				
4,0	284	2,0	330,45	9,6	12,0	13,7	15,0				
4,8	237	2,3	276,27	9,7	12,0	13,8	15,0				
5,7	203	2,3	236,11	9,8	12,0	13,9	15,0				
1,0	*362	0,8	1362,13	5,2	7,2	8,4	7,2				SK 1282/02 - 63 S/4
1,3	*362	0,8	1066,50	5,2	7,2	8,4	7,2				
1,6	*362	0,8	826,23	5,2	7,2	8,4	7,2				
2,0	*362	0,8	663,69	5,2	7,2	8,4	7,2				
2,4	313	0,9	546,50	5,7	7,2	8,8	7,2				
3,3	232	1,2	405,75	6,3	7,2	9,2	7,2				
7,9	145	1,4	109,50	6,7	7,2	9,5	7,2	SK 1282 - 63 L/6	18	D61	
9,4	123	1,9	92,48	6,8	7,2	9,5	7,2				
11	108	2,8	81,17	6,8	7,2	9,6	7,2				
12	94	2,2	109,50	6,9	7,2	9,6	7,2	SK 1282 - 63 S/4	18	D61	
14	79	2,9	92,48	6,9	7,2	9,6	7,2				
16	70	4,2	81,17	6,9	7,2	9,6	7,2				
0,18	1,2	1077	2,8	1095,71	31,2	32,0	44,2	40,0	SK 5282/12 - 63 L/4	105	D68 D82
	1,0	1321	1,4	1343,53	20,1	22,0	29,3	30,0	SK 4282/12 - 63 L/4	69	D66 D82
	1,2	1092	1,6	1110,82	20,8	22,0	29,8	30,0			
	1,6	859	2,1	873,31	21,3	22,0	30,2	30,0			
	1,2	1478	1,0	782,32	19,5	22,0	28,9	30,0	SK 4382 - 71 S/6	75	D67
	1,4	1236	1,0	654,27	20,3	22,0	29,5	30,0			
	1,7	1006	2,0	532,44	21,0	22,0	29,9	30,0			
	2,0	841	2,0	445,23	21,3	22,0	30,2	30,0			
	2,5	701	2,4	371,28	21,6	22,0	30,4	30,0			
	1,3	1050	0,9	1067,99	13,6	14,5	20,9	20,0	SK 3282/12 - 63 L/4	54	D64 D82
	1,6	839	1,1	853,43	14,7	14,5	21,6	20,0			
	1,6	1103	0,9	584,13	13,2	14,5	20,7	20,0	SK 3382 - 71 S/6	53	D65

* Maximum output torque with $f_B = 0,8$

Parallel shaft
gear units



P ₁ [kW]	n ₂ [min ⁻¹]	M ₂ [Nm]	f _B	i _{ges}	F _R [kN]	F _A [kN]	F _{R VL} [kN]	F _{A VL} [kN]	Type	kg	mm 			
0,18	1,7	1022	1,0	808,42	13,7	14,5	21,0	20,0	SK 3382 - 63 L/4	52	D65			
	1,9	918	1,0	726,61	14,3	14,5	21,4	20,0						
	2,3	738	1,4	584,13	15,1	14,5	21,9	20,0						
	2,8	610	1,4	482,56	15,5	14,5	22,2	20,0						
	3,3	516	1,5	408,58	15,8	14,5	22,4	20,0						
	4,7	363	2,6	287,14	16,1	14,5	22,7	20,0						
	5,9	292	3,4	230,83	16,2	14,5	22,7	20,0						
	7,1	241	3,6	190,69	16,3	14,5	22,8	20,0						
	8,1	212	3,6	112,23	16,3	14,5	22,8	20,0				SK 3282 - 71 S/6	45	D64
	2,1	652	0,8	662,92	6,9	12,0	11,9	15,0				SK 2282/02 - 63 L/4	37	D62 D82
	2,6	506	1,0	514,51	8,3	12,0	12,8	15,0						
	2,8	610	0,9	482,56	7,3	12,0	12,2	15,0				SK 2382 - 63 L/4	36	D63
	3,5	494	1,1	390,93	8,4	12,0	12,9	15,0						
	4,1	418	1,3	330,45	8,9	12,0	13,2	15,0						
	4,9	349	1,6	276,27	9,3	12,0	13,5	15,0						
5,8	298	1,6	236,11	9,5	12,0	13,6	15,0							
7,3	234	2,2	185,11	9,8	12,0	13,8	15,0							
7,1	241	1,6	127,51	9,7	12,0	13,8	15,0	SK 2282 - 71 S/6	30	D62				
8,7	197	2,0	104,07	9,9	12,0	13,9	15,0							
9,0	191	2,3	100,98	9,9	12,0	13,9	15,0							
8,3	207	1,0	109,50	6,4	7,2	9,3	7,2	SK 1282 - 71 S/6	19	D61				
9,8	175	1,3	92,48	6,6	7,2	9,4	7,2							
11	153	1,9	81,17	6,7	7,2	9,5	7,2							
12	138	1,5	109,50	6,8	7,2	9,5	7,2	SK 1282 - 63 L/4	18	D61				
15	117	2,0	92,48	6,8	7,2	9,5	7,2							
17	103	2,9	81,17	6,7	7,2	9,6	7,2							
21	84	3,2	66,23	6,3	7,2	9,6	7,2							
0,25	1,0	1940	1,5	1334,62	29,6	32,0	43,1	40,0	SK 5282/12 - 71 S/4	106	D68 D82			
	1,3	1592	1,9	1095,71	30,4	32,0	43,6	40,0						
	1,6	1253	2,4	862,46	31,0	32,0	44,0	40,0						
	2,0	1002	3,0	689,45	31,3	32,0	44,3	40,0						
	1,0	1952	0,9	1343,53	17,3	22,0	27,5	30,0	SK 4282/12 - 71 S/4	70	D66 D82			
	1,2	1614	1,1	1110,82	19,0	22,0	28,6	30,0						
	1,6	1269	1,4	873,31	20,2	22,0	29,4	30,0						
	2,0	1016	1,8	698,96	21,0	22,0	29,9	30,0						
	2,5	812	2,2	558,54	21,4	22,0	30,2	30,0						
	1,7	1382	1,4	532,44	19,9	22,0	29,2	30,0	SK 4382 - 71 L/6	76	D67			
	2,1	1155	1,4	445,23	20,6	22,0	29,7	30,0						
	2,5	964	1,7	371,28	21,1	22,0	30,0	30,0						
	1,2	1955	0,8	1129,91	17,3	22,0	27,5	30,0	SK 4382 - 71 S/4	75	D67			
	1,8	1353	1,1	782,32	20,0	22,0	29,2	30,0						
	2,6	921	2,2	532,44	21,2	22,0	30,1	30,0						
	3,1	770	2,2	445,23	21,5	22,0	30,3	30,0						
	3,5	676	3,0	390,76	21,6	22,0	30,4	30,0						
	4,2	565	3,3	326,81	21,8	22,0	30,5	30,0						
	5,1	472	3,3	272,54	21,9	22,0	30,6	30,0						
	1,9	1257	0,8	726,61	12,1	14,5	20,0	20,0	SK 3382 - 71 S/4	53	D65			
	2,4	1011	1,0	584,13	13,8	14,5	21,1	20,0						
	2,9	835	1,0	482,56	14,7	14,5	21,7	20,0						
	3,4	707	1,1	408,58	15,2	14,5	22,0	20,0						
	4,8	497	1,9	287,14	15,8	14,5	22,5	20,0						
	6,0	399	2,5	230,83	16,1	14,5	22,6	20,0						
	7,2	330	2,6	190,69	16,2	14,5	22,7	20,0						
	8,2	291	2,6	112,23	16,2	14,5	22,7	20,0	SK 3282 - 71 L/6	46	D64			
	9,1	262	3,1	100,88	16,3	14,5	22,8	20,0						

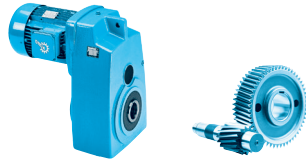
Parallel shaft
gear units


0,25 kW
0,37 kW



P ₁ [kW]	n ₂ [min ⁻¹]	M ₂ [Nm]	f _B	i _{ges}	F _R [kN]	F _A [kN]	F _{R VL} [kN]	F _{A VL} [kN]	Type	kg	mm D
0,25	3,3	615	0,8	423,50	7,3	12,0	12,2	15,0	SK 2282/02 - 71 S/4	38	D62 D82
	3,5	676	0,8	390,93	6,6	12,0	11,8	15,0	SK 2382 - 71 S/4	37	D63
	4,2	572	1,0	330,45	7,7	12,0	12,5	15,0			
	5,0	478	1,2	276,27	8,5	12,0	13,0	15,0			
	5,8	408	1,2	236,11	9,0	12,0	13,3	15,0			
	7,5	320	1,6	185,11	9,4	12,0	13,6	15,0			
	7,2	331	1,1	127,51	9,4	12,0	13,6	15,0	SK 2282 - 71 L/6	31	D62
	8,8	270	1,5	104,07	9,6	12,0	13,7	15,0			
	9,1	262	1,7	100,98	9,7	12,0	13,8	15,0			
	11	214	2,2	82,42	9,8	12,0	13,9	15,0			
	9,9	240	1,0	92,48	6,2	7,2	9,1	7,2	SK 1282 - 71 L/6	20	D61
	11	211	1,4	81,17	6,4	7,2	9,3	7,2			
	13	189	1,1	109,50	6,5	7,2	9,3	7,2	SK 1282 - 71 S/4	19	D61
	15	160	1,5	92,48	6,6	7,2	9,4	7,2			
	17	140	2,1	81,17	6,4	7,2	9,5	7,2			
	19	125	2,4	72,17	6,2	7,2	9,5	7,2			
	21	115	2,4	66,23	6,1	7,2	9,6	7,2			
	23	102	2,8	58,89	5,9	7,2	9,6	7,2			
	25	96	2,5	55,39	5,8	7,2	9,6	7,2			
28	85	3,1	49,25	5,6	7,2	9,6	7,2				
30	80	2,5	46,19	5,5	7,2	9,6	7,2				
0,37	1,0	3068	2,3	1343,50	57,4	58,0	81,3	80,0			
	1,1	2876	1,9	1259,27	39,1	46,5	56,7	60,0	SK 6382/22 - 71 L/4	197	D71 D82
	1,2	2522	2,1	1104,39	39,8	46,5	57,2	60,0			
	1,7	1870	2,9	818,71	40,9	46,5	58,0	60,0			
	1,0	3048	1,0	1334,62	25,9	32,0	40,6	40,0	SK 5282/12 - 71 L/4	107	D68 D82
	1,3	2502	1,2	1095,71	28,0	32,0	42,0	40,0			
	1,6	1970	1,5	862,46	29,6	32,0	43,0	40,0			
	2,0	1574	1,9	689,45	30,4	32,0	43,7	40,0			
	1,0	3558	0,8	936,45	23,3	32,0	39,0	40,0			
	1,3	2660	1,2	700,03	27,5	32,0	41,6	40,0			
	1,6	2166	1,3	570,18	29,0	32,0	42,7	40,0			
	1,8	1995	1,6	525,20	29,5	32,0	43,0	40,0			
	2,2	1625	2,0	427,79	30,3	32,0	43,6	40,0			
	2,6	1374	2,0	361,69	30,8	32,0	43,9	40,0			
	3,4	1026	2,6	269,99	31,3	32,0	44,3	40,0			
	5,5	637	5,0	248,70	31,7	32,0	44,5	40,0	SK 5382 - 71 L/4	116	D69
	6,8	519	6,2	202,57	31,8	32,0	44,6	40,0			
	1,6	1994	0,9	873,31	17,1	22,0	27,3	30,0	SK 4282/12 - 71 L/4	71	D66 D82
	2,0	1596	1,1	698,96	19,0	22,0	28,6	30,0			
	2,5	1276	1,4	558,54	20,2	22,0	29,4	30,0			
	1,7	2023	1,0	532,44	16,9	22,0	27,2	30,0	SK 4382 - 80 S/6	78	D67
	2,1	1692	1,0	445,23	18,6	22,0	28,3	30,0			
	2,5	1411	1,2	371,28	19,8	22,0	29,1	30,0			
	2,6	1363	1,5	532,44	19,9	22,0	29,2	30,0	SK 4382 - 71 L/4	76	D67
	3,1	1140	1,5	445,23	20,6	22,0	29,7	30,0			
	3,5	1001	2,0	390,76	21,0	22,0	29,9	30,0			
	4,2	837	2,3	326,81	21,3	22,0	30,2	30,0			
	5,1	698	2,3	272,54	21,6	22,0	30,4	30,0			
	7,2	491	4,1	191,57	21,9	22,0	30,6	30,0			
	8,6	410	4,0	160,20	22,0	22,0	30,6	30,0			
2,6	1189	0,8	520,83	12,6	14,5	20,3	20,0	SK 3282/12 - 71 L/4			
3,0	1055	0,9	461,81	13,5	14,5	20,9	20,0				

Parallel shaft gear units



P_1 [kW]	n_2 [min ⁻¹]	M_2 [Nm]	f_B	i_{ges}	F_R [kN]	F_A [kN]	$F_{R VL}$ [kN]	$F_{A VL}$ [kN]	Type	kg	mm 
0,37	3,4	1046	0,8	408,58	13,6	14,5	20,9	20,0	SK 3382 - 71 L/4	54	D65
	4,8	735	1,3	287,14	15,1	14,5	21,9	20,0			
	6,0	591	1,7	230,83	15,6	14,5	22,3	20,0			
	7,2	488	1,8	190,69	15,9	14,5	22,5	20,0			
	8,5	413	1,9	161,46	16,0	14,5	22,6	20,0			
	8,3	426	1,8	112,23	16,0	14,5	22,6	20,0	SK 3282 - 80 S/6	48	D64
	9,2	383	2,1	100,88	16,1	14,5	22,6	20,0			
	10	337	2,8	88,74	15,9	14,5	22,7	20,0			
	12	303	2,8	79,76	15,4	14,5	22,7	20,0			
	13	268	2,1	70,56	14,9	14,5	22,8	20,0			
	14	258	3,1	100,88	14,7	14,5	22,8	20,0	SK 3282 - 71 L/4	46	D64
	4,8	657	0,8	287,51	6,8	12,0	11,9	15,0	SK 2282/02 - 71 L/4	39	D62 D82
	5,0	707	0,8	276,27	6,1	12,0	11,5	15,0	SK 2382 - 71 L/4	38	D63
	5,8	605	0,8	236,11	7,4	12,0	12,3	15,0			
	7,5	474	1,1	185,11	8,6	12,0	13,0	15,0			
	9,2	384	1,4	149,96	9,1	12,0	13,4	15,0			
	7,3	484	0,8	127,51	8,5	12,0	12,9	15,0			
	8,9	395	1,0	104,07	9,1	12,0	13,3	15,0			
	9,2	384	1,1	100,98	9,1	12,0	13,4	15,0			
	11	313	1,5	82,42	9,5	12,0	13,6	15,0			
	13	265	1,7	69,67	9,6	12,0	13,7	15,0			
	15	243	2,1	63,83	9,7	12,0	13,8	15,0			
	17	205	2,5	53,96	9,8	12,0	13,9	15,0			
	14	259	1,7	100,98	9,7	12,0	13,8	15,0	SK 2282 - 71 L/4	31	D62
	11	308	1,0	81,17	5,7	7,2	8,8	7,2	SK 1282 - 80 S/6	22	D61
	15	237	1,0	92,48	6,2	7,2	9,2	7,2	SK 1282 - 71 L/4	20	D61
	17	208	1,4	81,17	6,0	7,2	9,3	7,2			
	19	185	1,6	72,17	5,9	7,2	9,4	7,2			
	21	170	1,6	66,23	5,8	7,2	9,4	7,2			
	23	151	1,9	58,89	5,6	7,2	9,5	7,2			
	25	142	1,7	55,39	5,5	7,2	9,5	7,2			
	28	126	2,1	49,25	5,4	7,2	9,5	7,2			
	30	118	1,7	46,19	5,2	7,2	9,5	7,2			
	34	105	2,1	41,07	5,1	7,2	9,6	7,2			
	43	82	2,8	32,08	4,8	7,2	9,6	7,2			
	49	73	3,1	28,33	4,7	7,2	9,6	7,2			
	55	65	3,5	25,22	4,5	7,2	9,6	7,2			

0,55 kW


IE2



P ₁ [kW]	n ₂ [min ⁻¹]	M ₂ [Nm]	f _B	i _{ges}	F _R [kN]	F _A [kN]	F _{R VL} [kN]	F _{A VL} [kN]	Type	kg	mm 																																																																																																																																																																																																																																																																																																																																																																																																																																																																
0,55	1,0	4688	2,6	1366,83	92,0	73,0	100,0	100,0	SK 8382/32 - 80 SH/4	409	D75 D82																																																																																																																																																																																																																																																																																																																																																																																																																																																																
	1,3	3653	3,3	1064,91	92,7	73,0	100,0	100,0				1,1	4608	1,5	1343,50	55,2	58,0	79,8	80,0	SK 7382/22 - 80 SH/4	273	D73 D82	1,4	3588	2,0	1046,18	56,8	58,0	80,9	80,0	1,5	3203	2,2	933,91	57,3	58,0	81,2	80,0	2,0	2450	2,9	714,31	58,0	58,0	81,8	80,0	1,1	4319	1,3	1259,27	34,7	46,5	53,8	60,0	SK 6382/22 - 80 SH/4	200	D71 D82	1,3	3788	1,4	1104,39	36,6	46,5	55,0	60,0	1,7	2808	1,9	818,71	39,2	46,5	56,8	60,0	2,2	2187	2,5	637,53	40,4	46,5	57,7	60,0	2,5	1952	2,8	569,11	40,8	46,5	57,9	60,0	1,3	3758	0,8	1095,71	22,1	32,0	38,3	40,0	SK 5282/12 - 80 SH/4	110	D68 D82	1,6	2958	1,0	862,46	26,3	32,0	40,9	40,0	2,1	2365	1,3	689,45	28,5	32,0	42,3	40,0	2,6	1890	1,6	550,94	29,8	32,0	43,2	40,0	3,2	1537	2,0	448,15	30,5	32,0	43,7	40,0	1,5	3464	0,8	936,45	23,9	32,0	39,3	40,0	SK 5382 - 80 SH/4	119	D69	2,0	2589	1,2	700,03	27,7	32,0	41,8	40,0	2,5	2109	1,3	570,18	29,2	32,0	42,8	40,0	2,7	1943	1,6	525,20	29,6	32,0	43,1	40,0	3,3	1582	2,0	427,79	30,4	32,0	43,7	40,0	3,9	1338	2,1	361,69	30,9	32,0	44,0	40,0	4,3	1226	2,6	331,48	31,0	32,0	44,1	40,0	5,3	999	2,7	269,99	31,3	32,0	44,3	40,0	2,0	2397	0,8	698,96	14,2	22,0	25,7	30,0	SK 4282/12 - 80 SH/4	74	D66 D82	2,5	1916	0,9	558,54	17,5	22,0	27,6	30,0	2,7	1969	1,0	532,44	17,2	22,0	27,4	30,0	SK 4382 - 80 SH/4	79	D67	3,2	1647	1,0	445,23	18,8	22,0	28,5	30,0	3,4	1525	1,3	412,38	19,3	22,0	28,8	30,0	3,6	1445	1,4	390,76	19,6	22,0	29,0	30,0	4,1	1276	1,3	344,84	20,2	22,0	29,4	30,0	4,3	1209	1,6	326,81	20,4	22,0	29,6	30,0	4,7	1119	1,9	302,65	20,7	22,0	29,7	30,0	5,2	1008	1,6	272,54	21,0	22,0	29,9	30,0	5,6	936	2,1	253,12	21,1	22,0	30,0	30,0	6,7	781	2,1	211,09	21,5	22,0	30,3	30,0	7,4	709	2,8	191,57	21,6	22,0	30,4	30,0	8,9	593	2,8	160,20	21,8	22,0	30,5	30,0	10	520	3,8	140,60	21,8	22,0	30,5	30,0	12	438	4,6	118,38	21,9	22,0	30,6	30,0	4,9	1062	0,9	287,14	13,5	14,5	20,9	20,0	SK 3382 - 80 SH/4	57	D65	6,2	854	1,2	230,83	14,6	14,5	21,6	20,0	7,4	705	1,2	190,69	15,2	14,5	22,0	20,0	8,8	597	1,3	161,46	15,6	14,5	22,3	20,0	11	470	1,6	126,93	14,9	14,5	22,5	20,0	14	385	1,9	104,05	14,1	14,5	22,6	20,0	13	415	1,9	112,23	14,5	14,5	22,6	20,0	SK 3282 - 80 SH/4	49	D64	14	373	2,2	100,88	14,1	14,5	22,6	20,0	16	328	2,9	88,74	13,6	14,5	22,7	20,0	18	295	2,9	79,76	13,3	14,5	22,7	20,0	20	261	2,2	70,56	12,8	14,5	22,8	20,0	7,7	685	0,8	185,11	6,4	12,0	11,7	15,0	SK 2382 - 80 SH/4	41	D63	9,5	555	0,9	149,96	7,9	12,0	12,6	15,0	11	488	1,1	131,86	8,4	12,0	12,9	15,0	12	430	1,2	116,35	8,8
	1,1	4608	1,5	1343,50	55,2	58,0	79,8	80,0	SK 7382/22 - 80 SH/4	273	D73 D82																																																																																																																																																																																																																																																																																																																																																																																																																																																																
	1,4	3588	2,0	1046,18	56,8	58,0	80,9	80,0																																																																																																																																																																																																																																																																																																																																																																																																																																																																			
	1,5	3203	2,2	933,91	57,3	58,0	81,2	80,0																																																																																																																																																																																																																																																																																																																																																																																																																																																																			
	2,0	2450	2,9	714,31	58,0	58,0	81,8	80,0				1,1	4319	1,3	1259,27	34,7	46,5	53,8	60,0	SK 6382/22 - 80 SH/4	200	D71 D82	1,3	3788	1,4	1104,39	36,6	46,5	55,0	60,0	1,7	2808	1,9	818,71	39,2	46,5	56,8	60,0	2,2	2187	2,5	637,53	40,4	46,5	57,7	60,0	2,5	1952	2,8	569,11	40,8	46,5	57,9	60,0				1,3	3758	0,8	1095,71	22,1	32,0	38,3	40,0	SK 5282/12 - 80 SH/4	110	D68 D82	1,6	2958	1,0	862,46	26,3	32,0	40,9	40,0	2,1	2365	1,3	689,45	28,5	32,0	42,3	40,0	2,6	1890	1,6	550,94	29,8	32,0	43,2	40,0	3,2	1537	2,0	448,15	30,5				32,0	43,7	40,0	1,5	3464	0,8	936,45	23,9	32,0	39,3	40,0	SK 5382 - 80 SH/4	119	D69	2,0	2589	1,2	700,03	27,7	32,0	41,8	40,0	2,5	2109	1,3	570,18	29,2	32,0	42,8	40,0	2,7	1943	1,6	525,20	29,6	32,0	43,1	40,0	3,3	1582				2,0	427,79	30,4	32,0	43,7	40,0	3,9	1338	2,1	361,69	30,9	32,0	44,0	40,0	4,3	1226	2,6	331,48	31,0	32,0	44,1	40,0	5,3	999	2,7	269,99	31,3	32,0	44,3	40,0	2,0	2397	0,8	698,96	14,2	22,0	25,7	30,0	SK 4282/12 - 80 SH/4	74	D66 D82	2,5	1916	0,9	558,54	17,5	22,0	27,6	30,0	2,7	1969	1,0	532,44	17,2	22,0	27,4	30,0	SK 4382 - 80 SH/4	79	D67	3,2	1647	1,0	445,23	18,8	22,0	28,5	30,0	3,4	1525	1,3	412,38	19,3	22,0	28,8	30,0	3,6	1445	1,4	390,76	19,6	22,0	29,0				30,0	4,1	1276	1,3	344,84	20,2	22,0	29,4	30,0	4,3	1209	1,6	326,81	20,4	22,0	29,6	30,0	4,7	1119	1,9	302,65	20,7	22,0	29,7	30,0	5,2	1008	1,6	272,54	21,0	22,0	29,9	30,0	5,6	936	2,1	253,12	21,1	22,0	30,0	30,0	6,7	781	2,1	211,09	21,5	22,0	30,3	30,0	7,4	709	2,8	191,57	21,6	22,0	30,4	30,0	8,9	593	2,8	160,20	21,8	22,0	30,5	30,0	10	520	3,8	140,60	21,8	22,0	30,5	30,0	12	438	4,6	118,38	21,9	22,0	30,6	30,0	4,9	1062	0,9	287,14	13,5	14,5	20,9	20,0	SK 3382 - 80 SH/4	57	D65	6,2	854	1,2	230,83	14,6	14,5	21,6	20,0	7,4	705	1,2	190,69	15,2	14,5	22,0	20,0	8,8	597	1,3	161,46				15,6	14,5	22,3	20,0	11	470	1,6	126,93	14,9	14,5	22,5	20,0	14	385	1,9	104,05	14,1	14,5	22,6	20,0	13	415	1,9	112,23	14,5	14,5	22,6	20,0	SK 3282 - 80 SH/4	49	D64	14	373	2,2	100,88	14,1	14,5	22,6	20,0	16	328	2,9	88,74	13,6	14,5	22,7	20,0	18				295	2,9	79,76	13,3	14,5	22,7	20,0	20	261	2,2	70,56	12,8	14,5	22,8	20,0	7,7	685	0,8	185,11	6,4	12,0	11,7	15,0	SK 2382 - 80 SH/4	41	D63	9,5	555	0,9	149,96	7,9	12,0	12,6	15,0	11	488	1,1	131,86	8,4	12,0	12,9	15,0	12	430	1,2	116,35	8,8	12,0	13,2	15,0														
	1,1	4319	1,3	1259,27	34,7	46,5	53,8	60,0	SK 6382/22 - 80 SH/4	200	D71 D82																																																																																																																																																																																																																																																																																																																																																																																																																																																																
	1,3	3788	1,4	1104,39	36,6	46,5	55,0	60,0																																																																																																																																																																																																																																																																																																																																																																																																																																																																			
	1,7	2808	1,9	818,71	39,2	46,5	56,8	60,0																																																																																																																																																																																																																																																																																																																																																																																																																																																																			
	2,2	2187	2,5	637,53	40,4	46,5	57,7	60,0																																																																																																																																																																																																																																																																																																																																																																																																																																																																			
2,5	1952	2,8	569,11	40,8	46,5	57,9	60,0	1,3				3758	0,8	1095,71	22,1	32,0	38,3	40,0	SK 5282/12 - 80 SH/4	110	D68 D82	1,6	2958	1,0	862,46	26,3	32,0	40,9	40,0	2,1	2365	1,3	689,45	28,5	32,0	42,3	40,0	2,6	1890	1,6	550,94	29,8	32,0	43,2	40,0	3,2	1537	2,0	448,15	30,5	32,0	43,7	40,0	1,5	3464	0,8	936,45	23,9	32,0	39,3	40,0	SK 5382 - 80 SH/4	119	D69	2,0	2589	1,2	700,03	27,7	32,0	41,8	40,0	2,5	2109	1,3	570,18	29,2	32,0	42,8	40,0	2,7	1943	1,6	525,20	29,6	32,0	43,1	40,0	3,3	1582	2,0	427,79	30,4	32,0	43,7	40,0	3,9	1338	2,1	361,69	30,9	32,0	44,0	40,0	4,3	1226	2,6	331,48	31,0	32,0	44,1				40,0	5,3	999	2,7	269,99	31,3	32,0	44,3	40,0	2,0	2397	0,8	698,96	14,2	22,0	25,7	30,0	SK 4282/12 - 80 SH/4	74	D66 D82	2,5	1916	0,9	558,54	17,5	22,0	27,6	30,0	2,7	1969	1,0	532,44	17,2	22,0	27,4	30,0	SK 4382 - 80 SH/4	79	D67	3,2	1647	1,0	445,23	18,8	22,0	28,5	30,0	3,4	1525	1,3	412,38	19,3	22,0	28,8	30,0	3,6	1445	1,4	390,76	19,6	22,0	29,0	30,0	4,1	1276	1,3	344,84	20,2	22,0	29,4	30,0	4,3	1209	1,6	326,81	20,4	22,0	29,6	30,0	4,7	1119	1,9	302,65	20,7	22,0	29,7				30,0	5,2	1008	1,6	272,54	21,0	22,0	29,9	30,0	5,6	936	2,1	253,12	21,1	22,0	30,0	30,0	6,7	781	2,1	211,09	21,5	22,0				30,3	30,0	7,4	709	2,8	191,57	21,6	22,0	30,4	30,0	8,9	593	2,8	160,20	21,8	22,0	30,5	30,0	10	520	3,8	140,60	21,8	22,0	30,5	30,0	12	438	4,6	118,38	21,9	22,0	30,6	30,0	4,9	1062	0,9	287,14	13,5	14,5	20,9	20,0	SK 3382 - 80 SH/4	57	D65	6,2	854	1,2	230,83	14,6	14,5	21,6	20,0	7,4	705	1,2	190,69	15,2	14,5	22,0	20,0	8,8	597	1,3	161,46	15,6	14,5	22,3	20,0	11	470	1,6	126,93	14,9	14,5	22,5	20,0	14	385	1,9	104,05	14,1	14,5	22,6	20,0	13	415	1,9	112,23				14,5	14,5	22,6	20,0	SK 3282 - 80 SH/4	49	D64	14	373	2,2	100,88	14,1	14,5	22,6	20,0	16	328	2,9	88,74	13,6	14,5	22,7	20,0	18	295	2,9	79,76	13,3	14,5	22,7	20,0	20	261	2,2	70,56	12,8	14,5	22,8	20,0	7,7	685	0,8	185,11	6,4	12,0	11,7	15,0	SK 2382 - 80 SH/4	41	D63	9,5	555	0,9	149,96	7,9	12,0	12,6	15,0	11	488	1,1	131,86	8,4	12,0	12,9	15,0	12	430	1,2	116,35	8,8	12,0	13,2	15,0																																																																
1,3	3758	0,8	1095,71	22,1	32,0	38,3	40,0	SK 5282/12 - 80 SH/4	110	D68 D82																																																																																																																																																																																																																																																																																																																																																																																																																																																																	
1,6	2958	1,0	862,46	26,3	32,0	40,9	40,0																																																																																																																																																																																																																																																																																																																																																																																																																																																																				
2,1	2365	1,3	689,45	28,5	32,0	42,3	40,0																																																																																																																																																																																																																																																																																																																																																																																																																																																																				
2,6	1890	1,6	550,94	29,8	32,0	43,2	40,0																																																																																																																																																																																																																																																																																																																																																																																																																																																																				
3,2	1537	2,0	448,15	30,5	32,0	43,7	40,0				1,5	3464	0,8	936,45	23,9	32,0	39,3	40,0	SK 5382 - 80 SH/4	119	D69	2,0	2589	1,2	700,03	27,7	32,0	41,8	40,0	2,5	2109	1,3	570,18	29,2	32,0	42,8	40,0	2,7	1943	1,6	525,20	29,6	32,0	43,1	40,0	3,3	1582	2,0	427,79	30,4	32,0	43,7	40,0	3,9	1338	2,1	361,69	30,9	32,0	44,0	40,0				4,3	1226	2,6	331,48	31,0	32,0	44,1	40,0	5,3	999	2,7	269,99	31,3	32,0	44,3	40,0	2,0	2397	0,8	698,96	14,2	22,0	25,7	30,0	SK 4282/12 - 80 SH/4	74	D66 D82	2,5	1916	0,9	558,54	17,5	22,0	27,6	30,0	2,7	1969	1,0	532,44	17,2	22,0	27,4	30,0	SK 4382 - 80 SH/4	79	D67	3,2	1647	1,0	445,23	18,8	22,0	28,5	30,0	3,4	1525	1,3	412,38	19,3	22,0	28,8	30,0	3,6	1445	1,4	390,76	19,6	22,0	29,0	30,0	4,1	1276	1,3	344,84	20,2	22,0	29,4	30,0	4,3	1209	1,6	326,81	20,4	22,0	29,6	30,0				4,7	1119	1,9	302,65	20,7	22,0	29,7	30,0	5,2	1008	1,6	272,54	21,0	22,0	29,9	30,0	5,6	936	2,1	253,12	21,1	22,0	30,0	30,0	6,7	781	2,1	211,09	21,5	22,0	30,3	30,0	7,4	709	2,8	191,57	21,6	22,0	30,4	30,0	8,9	593	2,8	160,20	21,8	22,0	30,5				30,0	10	520	3,8	140,60	21,8	22,0	30,5	30,0	12	438	4,6	118,38	21,9	22,0	30,6	30,0	4,9	1062	0,9	287,14	13,5	14,5	20,9	20,0	SK 3382 - 80 SH/4	57	D65	6,2	854	1,2	230,83	14,6	14,5	21,6	20,0	7,4	705	1,2	190,69	15,2	14,5	22,0	20,0	8,8	597	1,3	161,46	15,6	14,5	22,3	20,0	11	470	1,6	126,93	14,9	14,5	22,5	20,0	14	385	1,9	104,05	14,1	14,5	22,6	20,0				13	415	1,9	112,23	14,5	14,5	22,6	20,0	SK 3282 - 80 SH/4	49	D64	14	373	2,2	100,88	14,1	14,5	22,6	20,0	16	328	2,9	88,74	13,6	14,5	22,7	20,0	18	295	2,9	79,76	13,3	14,5	22,7	20,0	20	261	2,2	70,56	12,8	14,5	22,8	20,0	7,7	685	0,8	185,11	6,4	12,0	11,7	15,0	SK 2382 - 80 SH/4	41	D63	9,5	555	0,9	149,96	7,9	12,0	12,6	15,0	11	488	1,1	131,86	8,4	12,0	12,9	15,0	12	430	1,2	116,35	8,8	12,0	13,2	15,0																																																																																																											
1,5	3464	0,8	936,45	23,9	32,0	39,3	40,0	SK 5382 - 80 SH/4	119	D69																																																																																																																																																																																																																																																																																																																																																																																																																																																																	
2,0	2589	1,2	700,03	27,7	32,0	41,8	40,0																																																																																																																																																																																																																																																																																																																																																																																																																																																																				
2,5	2109	1,3	570,18	29,2	32,0	42,8	40,0																																																																																																																																																																																																																																																																																																																																																																																																																																																																				
2,7	1943	1,6	525,20	29,6	32,0	43,1	40,0																																																																																																																																																																																																																																																																																																																																																																																																																																																																				
3,3	1582	2,0	427,79	30,4	32,0	43,7	40,0																																																																																																																																																																																																																																																																																																																																																																																																																																																																				
3,9	1338	2,1	361,69	30,9	32,0	44,0	40,0																																																																																																																																																																																																																																																																																																																																																																																																																																																																				
4,3	1226	2,6	331,48	31,0	32,0	44,1	40,0																																																																																																																																																																																																																																																																																																																																																																																																																																																																				
5,3	999	2,7	269,99	31,3	32,0	44,3	40,0																																																																																																																																																																																																																																																																																																																																																																																																																																																																				
2,0	2397	0,8	698,96	14,2	22,0	25,7	30,0				SK 4282/12 - 80 SH/4	74	D66 D82																																																																																																																																																																																																																																																																																																																																																																																																																																																														
2,5	1916	0,9	558,54	17,5	22,0	27,6	30,0	2,7	1969	1,0				532,44	17,2	22,0	27,4	30,0	SK 4382 - 80 SH/4	79	D67	3,2	1647	1,0	445,23	18,8	22,0	28,5	30,0	3,4	1525	1,3	412,38	19,3	22,0	28,8	30,0	3,6	1445	1,4	390,76	19,6	22,0	29,0	30,0	4,1	1276	1,3	344,84	20,2	22,0	29,4	30,0	4,3	1209	1,6	326,81	20,4	22,0	29,6	30,0	4,7	1119	1,9	302,65	20,7	22,0	29,7	30,0	5,2	1008	1,6	272,54	21,0	22,0	29,9	30,0	5,6	936	2,1	253,12	21,1	22,0	30,0	30,0	6,7	781	2,1	211,09	21,5	22,0	30,3	30,0	7,4	709	2,8	191,57	21,6	22,0	30,4	30,0	8,9	593	2,8	160,20	21,8	22,0				30,5	30,0	10	520	3,8	140,60	21,8	22,0	30,5	30,0	12	438	4,6	118,38	21,9	22,0	30,6	30,0	4,9	1062	0,9	287,14	13,5	14,5	20,9	20,0	SK 3382 - 80 SH/4	57	D65	6,2	854	1,2	230,83	14,6	14,5	21,6	20,0	7,4	705	1,2	190,69	15,2	14,5	22,0	20,0	8,8	597	1,3	161,46	15,6	14,5	22,3	20,0	11	470	1,6	126,93	14,9	14,5	22,5	20,0	14	385	1,9	104,05	14,1	14,5	22,6	20,0	13	415	1,9	112,23	14,5	14,5	22,6	20,0	SK 3282 - 80 SH/4	49	D64	14	373	2,2	100,88	14,1	14,5	22,6	20,0	16	328	2,9	88,74	13,6	14,5	22,7	20,0	18	295	2,9	79,76	13,3	14,5	22,7	20,0	20	261	2,2	70,56	12,8	14,5	22,8	20,0	7,7	685	0,8	185,11	6,4	12,0	11,7	15,0	SK 2382 - 80 SH/4	41	D63	9,5	555	0,9	149,96	7,9	12,0	12,6	15,0	11	488	1,1	131,86	8,4	12,0	12,9	15,0	12	430	1,2	116,35	8,8	12,0	13,2	15,0																																																																																																																																																																																																										
2,7	1969	1,0	532,44	17,2	22,0	27,4	30,0	SK 4382 - 80 SH/4	79	D67																																																																																																																																																																																																																																																																																																																																																																																																																																																																	
3,2	1647	1,0	445,23	18,8	22,0	28,5	30,0																																																																																																																																																																																																																																																																																																																																																																																																																																																																				
3,4	1525	1,3	412,38	19,3	22,0	28,8	30,0																																																																																																																																																																																																																																																																																																																																																																																																																																																																				
3,6	1445	1,4	390,76	19,6	22,0	29,0	30,0																																																																																																																																																																																																																																																																																																																																																																																																																																																																				
4,1	1276	1,3	344,84	20,2	22,0	29,4	30,0																																																																																																																																																																																																																																																																																																																																																																																																																																																																				
4,3	1209	1,6	326,81	20,4	22,0	29,6	30,0																																																																																																																																																																																																																																																																																																																																																																																																																																																																				
4,7	1119	1,9	302,65	20,7	22,0	29,7	30,0																																																																																																																																																																																																																																																																																																																																																																																																																																																																				
5,2	1008	1,6	272,54	21,0	22,0	29,9	30,0																																																																																																																																																																																																																																																																																																																																																																																																																																																																				
5,6	936	2,1	253,12	21,1	22,0	30,0	30,0																																																																																																																																																																																																																																																																																																																																																																																																																																																																				
6,7	781	2,1	211,09	21,5	22,0	30,3	30,0																																																																																																																																																																																																																																																																																																																																																																																																																																																																				
7,4	709	2,8	191,57	21,6	22,0	30,4	30,0																																																																																																																																																																																																																																																																																																																																																																																																																																																																				
8,9	593	2,8	160,20	21,8	22,0	30,5	30,0																																																																																																																																																																																																																																																																																																																																																																																																																																																																				
10	520	3,8	140,60	21,8	22,0	30,5	30,0																																																																																																																																																																																																																																																																																																																																																																																																																																																																				
12	438	4,6	118,38	21,9	22,0	30,6	30,0																																																																																																																																																																																																																																																																																																																																																																																																																																																																				
4,9	1062	0,9	287,14	13,5	14,5	20,9	20,0	SK 3382 - 80 SH/4	57	D65																																																																																																																																																																																																																																																																																																																																																																																																																																																																	
6,2	854	1,2	230,83	14,6	14,5	21,6	20,0																																																																																																																																																																																																																																																																																																																																																																																																																																																																				
7,4	705	1,2	190,69	15,2	14,5	22,0	20,0																																																																																																																																																																																																																																																																																																																																																																																																																																																																				
8,8	597	1,3	161,46	15,6	14,5	22,3	20,0																																																																																																																																																																																																																																																																																																																																																																																																																																																																				
11	470	1,6	126,93	14,9	14,5	22,5	20,0																																																																																																																																																																																																																																																																																																																																																																																																																																																																				
14	385	1,9	104,05	14,1	14,5	22,6	20,0																																																																																																																																																																																																																																																																																																																																																																																																																																																																				
13	415	1,9	112,23	14,5	14,5	22,6	20,0	SK 3282 - 80 SH/4	49	D64																																																																																																																																																																																																																																																																																																																																																																																																																																																																	
14	373	2,2	100,88	14,1	14,5	22,6	20,0																																																																																																																																																																																																																																																																																																																																																																																																																																																																				
16	328	2,9	88,74	13,6	14,5	22,7	20,0																																																																																																																																																																																																																																																																																																																																																																																																																																																																				
18	295	2,9	79,76	13,3	14,5	22,7	20,0																																																																																																																																																																																																																																																																																																																																																																																																																																																																				
20	261	2,2	70,56	12,8	14,5	22,8	20,0																																																																																																																																																																																																																																																																																																																																																																																																																																																																				
7,7	685	0,8	185,11	6,4	12,0	11,7	15,0	SK 2382 - 80 SH/4	41	D63																																																																																																																																																																																																																																																																																																																																																																																																																																																																	
9,5	555	0,9	149,96	7,9	12,0	12,6	15,0																																																																																																																																																																																																																																																																																																																																																																																																																																																																				
11	488	1,1	131,86	8,4	12,0	12,9	15,0																																																																																																																																																																																																																																																																																																																																																																																																																																																																				
12	430	1,2	116,35	8,8	12,0	13,2	15,0																																																																																																																																																																																																																																																																																																																																																																																																																																																																				

Parallel shaft
gear units



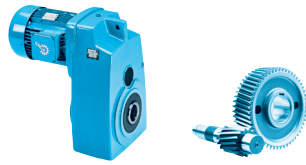
P ₁ [kW]	n ₂ [min ⁻¹]	M ₂ [Nm]	f _B	i _{ges}	F _R [kN]	F _A [kN]	F _{R VL} [kN]	F _{A VL} [kN]	Type	kg	mm 
0,55	11	472	0,8	127,51	8,6	12,0	13,0	15,0	SK 2282 - 80 SH/4	34	D62
	14	374	1,2	100,98	9,2	12,0	13,4	15,0			
	17	305	1,6	82,42	9,5	12,0	13,6	15,0			
	20	258	1,7	69,67	9,7	12,0	13,8	15,0			
	22	236	2,2	63,83	9,7	12,0	13,8	15,0			
	26	200	2,5	53,96	9,9	12,0	13,9	15,0			
	31	167	2,7	45,11	9,9	12,0	13,9	15,0			
	17	300	1,0	81,17	5,4	7,2	8,8	7,2			
	20	267	1,1	72,17	5,3	7,2	9,0	7,2			
	21	245	1,1	66,23	5,3	7,2	9,1	7,2			
	24	218	1,3	58,89	5,2	7,2	9,2	7,2			
	26	205	1,1	55,39	5,1	7,2	9,3	7,2			
	29	182	1,4	49,25	5,0	7,2	9,4	7,2			
	31	171	1,1	46,19	4,9	7,2	9,4	7,2			
	35	152	1,4	41,07	4,8	7,2	9,5	7,2			
	44	119	1,9	32,08	4,6	7,2	9,5	7,2			
	50	105	2,1	28,33	4,4	7,2	9,6	7,2			
	56	93	2,4	25,22	4,3	7,2	9,6	7,2			
	69	76	3,0	20,57	4,1	7,2	9,6	7,2			
0,75	1,0	6531	1,9	1366,83	90,4	73,0	100,0	100,0	SK 8382/32 - 80 LP/4	410	D75 D82
	1,3	5088	2,4	1064,91	91,7	73,0	100,0	100,0			
	1,6	4260	2,8	891,21	92,3	73,0	100,0	100,0			
	1,1	6432	1,1	1343,50	51,2	58,0	77,1	80,0			
	1,4	4993	1,4	1046,18	54,5	58,0	79,3	80,0			
	1,5	4467	1,6	933,91	55,4	58,0	79,9	80,0			
	2,0	3403	2,1	714,31	57,0	58,0	81,0	80,0			
	1,1	6041	0,9	1259,27	25,6	46,5	48,4	60,0			
	1,3	5293	1,0	1104,39	30,2	46,5	51,0	60,0			
	1,7	3934	1,4	818,71	36,1	46,5	54,7	60,0			
	2,2	3054	1,8	637,53	38,6	46,5	56,4	60,0			
	2,5	2732	2,0	569,11	39,4	46,5	56,9	60,0			
	3,3	2082	2,6	435,29	40,6	46,5	57,8	60,0			
	4,1	1673	3,2	347,33	41,2	46,5	58,2	60,0			
	4,7	1438	3,8	298,46	41,5	46,5	58,4	60,0			
	2,1	3302	0,9	689,45	24,7	32,0	39,9	40,0			
	2,6	2633	1,1	550,94	27,5	32,0	41,7	40,0			
	3,2	2147	1,4	448,15	29,1	32,0	42,7	40,0			
	4,2	1621	1,9	338,35	30,3	32,0	43,6	40,0			
	2,0	3541	0,9	700,03	23,4	32,0	39,1	40,0			
	2,5	2888	1,0	570,18	26,6	32,0	41,1	40,0			
	2,7	2656	1,2	525,20	27,5	32,0	41,6	40,0			
	3,3	2166	1,5	427,79	29,0	32,0	42,7	40,0			
	3,9	1830	1,5	361,69	29,9	32,0	43,3	40,0			
	4,3	1678	1,9	331,48	30,2	32,0	43,5	40,0			
	5,2	1369	2,0	269,99	30,8	32,0	43,9	40,0			
	5,7	1259	2,5	248,70	31,0	32,0	44,0	40,0			
	7,0	1026	3,1	202,57	31,3	32,0	44,3	40,0			
	3,4	2089	1,0	412,38	16,5	22,0	27,0	30,0			
	3,6	1980	1,0	390,76	17,1	22,0	27,4	30,0			
	4,1	1745	1,0	344,84	18,4	22,0	28,2	30,0			
	4,3	1654	1,1	326,81	18,8	22,0	28,5	30,0			
	4,7	1533	1,4	302,65	19,3	22,0	28,8	30,0			
	5,2	1379	1,1	272,54	19,9	22,0	29,2	30,0			
	5,6	1281	1,5	253,12	20,2	22,0	29,4	30,0			
	6,7	1068	1,5	211,09	20,8	22,0	29,8	30,0			
7,4	969	2,1	191,57	21,1	22,0	30,0	30,0				
8,8	810	2,0	160,20	21,4	22,0	30,2	30,0				
10	712	2,8	140,60	21,6	22,0	30,4	30,0				
12	600	3,3	118,38	21,4	22,0	30,5	30,0				
14	526	3,8	103,82	20,6	22,0	30,5	30,0				
16	439	4,5	86,83	19,6	22,0	30,6	30,0				
0,75	3,4	2089	1,0	412,38	16,5	22,0	27,0	30,0	SK 4382 - 80 LP/4	80	D67
	3,6	1980	1,0	390,76	17,1	22,0	27,4	30,0			
	4,1	1745	1,0	344,84	18,4	22,0	28,2	30,0			
	4,3	1654	1,1	326,81	18,8	22,0	28,5	30,0			
	4,7	1533	1,4	302,65	19,3	22,0	28,8	30,0			
	5,2	1379	1,1	272,54	19,9	22,0	29,2	30,0			
	5,6	1281	1,5	253,12	20,2	22,0	29,4	30,0			
	6,7	1068	1,5	211,09	20,8	22,0	29,8	30,0			
	7,4	969	2,1	191,57	21,1	22,0	30,0	30,0			
	8,8	810	2,0	160,20	21,4	22,0	30,2	30,0			
	10	712	2,8	140,60	21,6	22,0	30,4	30,0			
	12	600	3,3	118,38	21,4	22,0	30,5	30,0			
	14	526	3,8	103,82	20,6	22,0	30,5	30,0			
	16	439	4,5	86,83	19,6	22,0	30,6	30,0			


0,75 kW
1,10 kW



Parallel shaft
gear units

P ₁ [kW]	n ₂ [min ⁻¹]	M ₂ [Nm]	f _B	i _{ges}	F _R [kN]	F _A [kN]	F _{R VL} [kN]	F _{A VL} [kN]	Type	kg	mm
0,75	6,1	1168	0,9	230,83	12,8	14,5	20,4	20,0	SK 3382 - 80 LP/4	58	D65
	7,4	965	0,9	190,69	14,1	14,5	21,2	20,0			
	8,8	817	1,0	161,46	14,8	14,5	21,7	20,0			
	11	643	1,2	126,93	14,1	14,5	22,2	20,0			
	14	526	1,4	104,05	13,5	14,5	22,4	20,0			
	16	453	1,4	89,60	13,0	14,5	22,5	20,0	SK 3282 - 80 LP/4	50	D64
	13	568	1,4	112,23	13,9	14,5	22,3	20,0			
	14	510	1,6	100,88	13,6	14,5	22,4	20,0			
	16	449	2,1	88,74	13,2	14,5	22,5	20,0			
	18	404	2,1	79,76	12,8	14,5	22,6	20,0			
	20	357	1,6	70,56	12,3	14,5	22,7	20,0			
	21	334	2,3	65,89	12,2	14,5	22,7	20,0			
	25	282	2,3	55,79	11,6	14,5	22,6	20,0			
	29	243	2,3	48,04	11,1	14,5	21,7	20,0			
	34	213	4,4	42,02	10,8	14,5	21,0	20,0	SK 2382 - 80 LP/4	42	D63
	11	667	0,8	131,86	6,7	12,0	11,8	15,0			
	12	589	0,9	116,35	7,6	12,0	12,4	15,0			
	14	498	1,1	98,35	8,4	12,0	12,9	15,0			
	17	416	1,3	82,22	8,9	12,0	13,2	15,0			
	20	351	1,6	82,22	9,3	12,0	13,5	15,0	SK 2282 - 80 LP/4	35	D62
14	511	0,9	100,98	8,3	12,0	12,8	15,0				
17	417	1,1	82,42	8,9	12,0	13,2	15,0				
20	353	1,3	69,67	9,3	12,0	13,5	15,0				
22	323	1,6	63,83	9,4	12,0	13,6	15,0				
26	273	1,9	53,96	9,6	12,0	13,7	15,0				
31	228	2,0	45,11	9,8	12,0	13,8	15,0				
38	188	2,4	37,18	9,3	12,0	13,9	15,0				
48	150	3,3	29,65	8,8	12,0	14,0	15,0				
53	136	3,2	26,83	8,5	12,0	14,0	15,0				
57	126	3,9	24,97	8,3	12,0	14,0	15,0				
59	121	3,6	23,96	8,3	12,0	14,0	15,0				
65	111	4,3	21,90	8,0	12,0	14,0	15,0	SK 1282 - 80 LP/4	24	D61	
20	365	0,8	72,17	4,8	7,2	8,4	7,2				
21	335	0,8	66,23	4,7	7,2	8,6	7,2				
24	298	0,9	58,89	4,7	7,2	8,9	7,2				
26	280	0,8	55,39	4,6	7,2	8,9	7,2				
29	249	1,0	49,25	4,6	7,2	9,1	7,2				
31	234	0,8	46,19	4,5	7,2	9,2	7,2				
34	208	1,0	41,07	4,4	7,2	9,3	7,2				
44	162	1,4	32,08	4,3	7,2	9,4	7,2				
50	143	1,6	28,33	4,2	7,2	9,5	7,2				
56	128	1,8	25,22	4,1	7,2	9,5	7,2				
69	104	2,2	20,57	3,9	7,2	9,6	7,2				
82	87,1	2,6	17,21	3,8	7,2	9,6	7,2				
100	71,3	2,9	14,11	3,6	7,2	9,6	7,2				
120	59,4	3,4	11,76	3,4	6,7	9,6	7,2				
137	52,4	3,7	10,34	3,3	6,4	9,3	7,2				
154	46,4	4,1	9,18	3,2	6,1	9,0	7,2				
172	41,7	4,6	8,24	3,1	5,8	8,7	7,2				
173	41,4	3,9	8,21	3,1	5,9	8,7	7,2				
195	36,7	5,1	7,24	2,9	5,6	8,4	7,2				
220	32,5	5,6	6,43	2,8	5,3	8,1	7,2				
259	27,7	6,2	5,47	2,7	5,0	7,8	7,2				
296	24,2	5,3	4,79	2,6	4,8	7,5	7,2	SK 9382/42 - 90 SP/4	732	D77 D82	
1,10	1,0	10410	2,3	1419,20	120,0	102,0	120,0				130,0
	1,2	8648	2,8	1178,81	120,0	102,0	120,0				130,0
	1,6	6506	3,7	886,49	114,1	102,0	120,0	130,0	SK 8382/32 - 90 SP/4	415	D75 D82
1,0	10010	1,2	1366,83	85,7	73,0	100,0	100,0				
1,3	7800	1,6	1064,91	88,9	73,0	100,0	100,0				
1,6	6531	1,9	891,21	90,4	73,0	100,0	100,0				
2,0	5264	2,3	718,43	91,6	73,0	100,0	100,0				
2,3	4481	2,7	612,94	92,2	73,0	100,0	100,0				



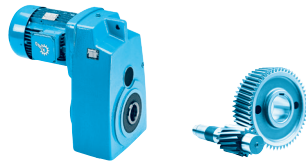
P ₁ [kW]	n ₂ [min ⁻¹]	M ₂ [Nm]	f _B	i _{ges}	F _R [kN]	F _A [kN]	F _{R VL} [kN]	F _{A VL} [kN]	Type	kg	mm 
1,10	1,4	7654	0,9	1046,18	47,6	58,0	74,7	80,0	SK 7382/22 - 90 SP/4	279	D73 D82
	1,5	6848	1,0	933,91	50,1	58,0	76,4	80,0			
	2,0	5217	1,4	714,31	54,0	58,0	79,0	80,0			
	2,5	4192	1,7	569,97	55,9	58,0	80,3	80,0			
	3,3	3194	2,2	435,50	57,3	58,0	81,2	80,0			
	1,7	6031	0,9	818,71	25,9	46,5	48,6	60,0	SK 6382/22 - 90 SP/4	206	D71 D82
	2,2	4682	1,2	637,53	33,3	46,5	52,9	60,0			
	2,5	4189	1,3	569,11	35,3	46,5	54,2	60,0			
	3,3	3191	1,7	435,29	38,3	46,5	56,2	60,0			
	2,6	4056	1,3	551,58	35,7	46,5	54,5	60,0	SK 6382 - 90 SP/4	187	D71
	3,2	3275	1,3	445,09	38,1	46,5	56,1	60,0			
	3,6	2890	2,0	393,19	39,0	46,5	56,7	60,0			
	4,5	2333	2,4	317,28	40,2	46,5	57,5	60,0			
	5,7	1848	2,4	251,76	41,0	46,5	58,0	60,0			
	6,3	1659	2,4	225,79	41,2	46,5	58,2	60,0			
	2,7	3855	0,8	525,20	21,5	32,0	38,0	40,0	SK 5382 - 90 SP/4	125	D69
	3,3	3144	1,0	427,79	25,5	32,0	40,4	40,0			
	4,0	2656	1,1	361,69	27,5	32,0	41,7	40,0			
	4,3	2435	1,3	331,48	28,2	32,0	42,2	40,0			
	5,3	1986	1,4	269,99	29,5	32,0	43,0	40,0			
	5,8	1827	1,8	248,70	29,9	32,0	43,3	40,0			
	7,1	1490	2,1	202,57	30,6	32,0	43,8	40,0			
	8,3	1259	2,2	171,27	31,0	32,0	44,0	40,0			
	9,3	1130	2,8	153,92	31,2	32,0	44,2	40,0			
	10	1019	3,1	138,82	30,7	32,0	44,3	40,0			
	11	985	2,7	134,03	30,6	32,0	44,3	40,0	SK 5282 - 90 SP/4	106	D68
	14	736	3,0	100,19	28,2	32,0	44,5	40,0			
	4,4	2401	0,8	326,81	14,3	22,0	25,7	30,0	SK 4382 - 90 SP/4	85	D67
	4,7	2225	0,9	302,65	15,6	22,0	26,5	30,0			
	5,2	2002	0,8	272,54	17,0	22,0	27,3	30,0			
	5,6	1859	1,1	253,12	17,8	22,0	27,8	30,0			
	6,8	1550	1,1	211,09	19,2	22,0	28,8	30,0			
	7,5	1407	1,4	191,57	19,8	22,0	29,1	30,0			
	8,9	1175	1,4	160,20	20,5	22,0	29,6	30,0			
	10	1033	1,9	140,60	20,9	22,0	29,9	30,0			
	9,2	1142	1,1	155,40	20,6	22,0	29,7	30,0			
	13	813	2,0	110,78	20,2	22,0	30,2	30,0			
	16	665	2,4	90,52	19,2	22,0	30,4	30,0			
	19	563	2,8	76,70	18,3	22,0	30,5	30,0			
	10	1039	0,9	141,49	13,1	14,5	21,0	20,0	SK 3282/12 - 90 SP/4	65	D64 D82
	11	933	0,8	126,93	12,7	14,5	21,4	20,0	SK 3382 - 90 SP/4	63	D65
	13	824	0,9	112,23	12,7	14,5	21,7	20,0	SK 3282 - 90 SP/4	55	D64
	14	741	1,1	100,88	12,5	14,5	21,9	20,0			
	16	652	1,4	88,74	12,3	14,5	22,1	20,0			
	18	586	1,5	79,76	12,0	14,5	22,3	20,0			
	20	518	1,1	70,56	11,6	14,5	22,4	20,0			
	22	471	2,2	64,12	11,4	14,5	22,5	20,0			
	26	410	1,6	55,79	11,0	14,5	22,0	20,0			
	27	389	2,2	52,97	10,9	14,5	21,8	20,0			
	30	353	1,6	48,04	10,6	14,5	21,2	20,0			
	32	329	2,2	44,85	10,5	14,5	20,8	20,0			
	34	309	3,0	42,02	10,4	14,5	20,5	20,0			
	37	283	2,2	38,62	10,1	14,5	20,0	20,0			
	38	278	3,0	37,77	10,1	14,5	20,0	20,0			
	45	234	3,7	31,93	9,6	14,5	19,1	20,0			
	15	723	0,8	98,35	5,9	12,0	11,4	15,0	SK 2382 - 90 SP/4	47	D63
	17	604	0,9	82,22	7,4	12,0	12,3	15,0			


1,10 kW
1,50 kW



P ₁ [kW]	n ₂ [min ⁻¹]	M ₂ [Nm]	f _B	i _{ges}	F _R [kN]	F _A [kN]	F _{R VL} F _{A VL} [kN]		Type	kg	mm 				
							F _{R VL}	F _{A VL}							
1,10	17	606	0,8	82,42	7,4	12,0	12,3	15,0	SK 2282 - 90 SP/4	40	D62				
	21	512	0,9	69,67	8,3	12,0	12,8	15,0							
	22	469	1,1	63,83	8,6	12,0	13,0	15,0							
	26	397	1,3	53,96	9,1	12,0	13,3	15,0							
	28	380	1,4	51,71	9,1	12,0	13,4	15,0							
	32	332	1,4	45,11	9,2	12,0	13,6	15,0							
	33	321	1,8	43,71	9,2	12,0	13,6	15,0							
	38	273	1,7	37,18	8,9	12,0	13,7	15,0							
	39	269	1,9	36,54	8,8	12,0	13,7	15,0							
	46	229	1,9	31,23	8,4	12,0	13,8	15,0							
	48	218	2,3	29,65	8,4	12,0	13,9	15,0							
	53	197	2,2	26,83	8,2	12,0	13,9	15,0							
	57	184	2,7	24,97	8,0	12,0	13,9	15,0							
	60	176	2,5	23,96	8,0	12,0	13,9	15,0							
	65	161	3,0	21,90	7,8	12,0	13,9	15,0							
	77	136	3,6	18,51	7,4	12,0	14,0	15,0							
	86	122	3,9	16,53	7,2	12,0	13,9	15,0							
		45	236	1,0	32,08	3,9	7,2	9,2				7,2	SK 1282 - 90 SP/4	29	D61
		50	208	1,1	28,33	3,8	7,2	9,3				7,2			
		57	185	1,2	25,22	3,8	7,2	9,4				7,2			
		69	151	1,5	20,57	3,6	7,2	9,5				7,2			
		83	126	1,8	17,21	3,5	7,0	9,5				7,2			
		102	103	2,0	14,11	3,4	6,6	9,6				7,2			
		122	86,3	2,4	11,76	3,2	6,2	9,5				7,2			
		138	76,0	2,6	10,34	3,1	6,0	9,1				7,2			
		156	67,3	2,8	9,18	3,0	5,8	8,9				7,2			
	174	60,5	3,2	8,24	2,9	5,5	8,6	7,2							
	175	60,1	2,7	8,21	3,0	5,6	8,6	7,2							
	197	53,2	3,5	7,24	2,8	5,3	8,3	7,2							
	223	47,1	3,8	6,43	2,7	5,1	8,0	7,2							
	261	40,2	4,3	5,47	2,6	4,8	7,7	7,2							
	299	35,1	3,6	4,79	2,5	4,6	7,4	7,2							
1,50	1,0	14350	1,7	1419,20	120,0	102,0	120,0	130,0	SK 9382/42 - 90 LP/4	734	D77 D82				
	1,2	11920	2,0	1178,81	118,6	102,0	120,0	130,0							
	1,6	8966	2,7	886,49	110,3	102,0	120,0	130,0							
	2,0	7242	3,3	715,38	105,1	102,0	120,0	130,0							
		1,0	13800	0,9	1366,83	77,7	73,0	100,0	100,0	SK 8382/32 - 90 LP/4	417	D75 D82			
		1,3	10750	1,1	1064,91	84,3	73,0	100,0	100,0						
		1,6	9000	1,3	891,21	87,3	73,0	100,0	100,0						
		2,0	7254	1,7	718,43	89,6	73,0	100,0	100,0						
		2,3	6176	2,0	612,94	89,4	73,0	100,0	100,0						
		1,5	9437	0,8	933,91	36,9	58,0	57,0	80,0	SK 7382/22 - 90 LP/4	281	D73 D82			
		2,0	7190	1,0	714,31	49,0	58,0	75,6	80,0						
		2,5	5777	1,2	569,97	52,9	58,0	78,2	80,0						
		3,3	4402	1,6	435,50	55,5	58,0	80,0	80,0						
		3,8	3809	1,9	376,26	56,5	58,0	80,7	80,0						
		4,8	2987	2,4	295,54	57,5	58,0	81,4	80,0	SK 7382/32 - 90 LP/4	292	D73 D82			
		2,2	6452	0,8	637,53	22,2	46,5	46,7	60,0	SK 6382/22 - 90 LP/4	208	D71 D82			
		2,5	5772	0,9	569,11	27,5	46,5	49,4	60,0						
		3,3	4398	1,2	435,29	34,3	46,5	53,6	60,0						
		4,1	3534	1,5	347,33	37,4	46,5	55,6	60,0						
		4,7	3038	1,8	298,46	38,7	46,5	56,5	60,0						
		6,3	2263	2,1	223,73	40,3	46,5	57,6	60,0	SK 6382/32 - 90 LP/4	219	D71 D82			
		7,4	1935	2,5	191,51	40,8	46,5	57,9	60,0						
		2,6	5589	0,9	551,58	28,6	46,5	50,1	60,0	SK 6382 - 90 LP/4	189	D71			
		3,2	4513	0,9	445,09	34,0	46,5	53,3	60,0						
		3,6	3983	1,5	393,19	35,9	46,5	54,6	60,0						
		4,5	3215	1,8	317,28	38,2	46,5	56,2	60,0						
	5,6	2547	1,8	251,76	39,8	46,5	57,2	60,0							
	6,3	2286	1,8	225,79	40,2	46,5	57,5	60,0							
	8,8	1621	3,6	159,88	41,2	46,5	58,2	60,0							

Parallel shaft
gear units



P ₁ [kW]	n ₂ [min ⁻¹]	M ₂ [Nm]	f _B	i _{ges}	F _R [kN]	F _A [kN]	F _{R VL} [kN]	F _{A VL} [kN]	Type	kg	mm 			
1,50	3,9	3661	0,8	361,69	22,7	32,0	38,7	40,0	SK 5382 - 90 LP/4	127	D69			
	4,3	3356	1,0	331,48	24,4	32,0	39,7	40,0						
	5,2	2737	1,0	269,99	27,2	32,0	41,5	40,0						
	5,7	2517	1,3	248,70	28,0	32,0	42,0	40,0						
	7,0	2053	1,6	202,57	29,4	32,0	42,9	40,0						
	8,3	1735	1,6	171,27	30,1	32,0	43,4	40,0						
	9,2	1557	2,1	153,92	30,5	32,0	43,7	40,0						
	10	1405	2,3	138,82	29,7	32,0	43,9	40,0						
	12	1187	2,3	117,37	28,4	32,0	44,1	40,0						
	11	1357	2,0	134,03	29,7	32,0	43,9	40,0				SK 5282 - 90 LP/4	108	D68
	14	1014	2,2	100,19	27,5	32,0	44,3	40,0						
	17	827	2,2	81,61	25,9	32,0	44,4	40,0						
5,6	2562	0,8	253,12	12,7	22,0	24,8	30,0	SK 4382 - 90 LP/4	87	D67				
6,7	2136	0,8	211,09	16,2	22,0	26,8	30,0							
7,4	1939	1,0	191,57	17,4	22,0	27,5	30,0							
8,8	1620	1,0	160,20	18,9	22,0	28,5	30,0							
10	1423	1,4	140,60	19,7	22,0	29,1	30,0							
9,1	1573	0,8	155,40	19,1	22,0	28,7	30,0	SK 4282 - 90 LP/4	72	D66				
13	1121	1,4	110,78	19,2	22,0	29,7	30,0							
16	916	1,7	90,52	18,4	22,0	30,1	30,0							
18	776	2,0	76,70	17,6	22,0	30,3	30,0							
31	456	3,5	45,05	15,5	22,0	30,1	30,0							
35	413	3,8	40,74	15,1	22,0	29,2	30,0							
12	1154	0,8	114,23	11,4	14,5	20,5	20,0	SK 3282/12 - 90 LP/4	67	D64 D82				
16	898	1,1	88,74	11,3	14,5	21,5	20,0	SK 3282 - 90 LP/4	57	D64				
18	807	1,1	79,76	11,1	14,5	21,7	20,0							
21	667	1,1	65,89	10,8	14,5	22,1	20,0							
22	649	1,6	64,12	10,8	14,5	22,1	20,0							
25	564	1,1	55,79	10,4	14,5	21,6	20,0							
27	536	1,6	52,97	10,3	14,5	21,3	20,0							
29	486	1,1	48,04	10,1	14,5	20,8	20,0							
32	454	1,6	44,85	10,0	14,5	20,5	20,0							
34	426	2,2	42,02	9,9	14,5	20,2	20,0							
37	383	2,2	37,77	9,7	14,5	19,7	20,0							
44	323	2,7	31,93	9,4	14,5	18,9	20,0							
49	290	3,0	28,70	9,1	14,5	18,4	20,0							
55	262	3,2	25,88	8,9	14,5	17,8	20,0							
60	240	3,4	23,71	8,6	14,5	17,4	20,0							
63	227	3,5	22,45	8,6	14,5	17,2	20,0							
22	646	0,8	63,83	6,9	12,0	12,0	15,0				SK 2282 - 90 LP/4	42	D62	
26	546	0,9	53,96	8,0	12,0	12,6	15,0							
27	524	1,0	51,71	8,2	12,0	12,7	15,0							
31	457	1,0	45,11	8,7	12,0	13,1	15,0							
32	443	1,3	43,71	8,7	12,0	13,1	15,0							
38	376	1,2	37,18	8,4	12,0	13,4	15,0							
39	370	1,4	36,54	8,3	12,0	13,4	15,0							
45	316	1,4	31,23	8,1	12,0	13,6	15,0							
48	300	1,7	29,65	8,1	12,0	13,6	15,0							
53	271	1,6	26,83	7,9	12,0	13,7	15,0							
57	253	1,9	24,97	7,8	12,0	13,8	15,0							
59	243	1,8	23,96	7,7	12,0	13,8	15,0							
65	222	2,2	21,90	7,5	12,0	13,8	15,0							
76	187	2,6	18,51	7,2	12,0	13,9	15,0							
85	168	2,8	16,53	7,0	12,0	13,7	15,0							
107	134	3,0	13,23	6,6	12,0	12,9	15,0							
120	120	3,2	11,81	6,4	12,0	12,5	15,0							
139	103	3,5	10,15	6,1	12,0	12,0	15,0							
157	91,1	3,7	9,03	5,9	11,5	11,6	15,0							
169	84,6	3,0	8,37	5,7	11,1	11,3	15,0							
189	75,7	3,2	7,48	5,6	10,6	11,0	15,0							

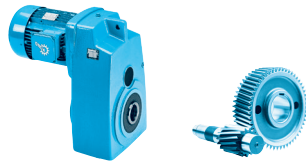
Parallel shaft
gear units


1,50 kW
2,20 kW



P ₁ [kW]	n ₂ [min ⁻¹]	M ₂ [Nm]	f _B	i _{ges}	F _R [kN]	F _A [kN]	F _{R VL} [kN]	F _{A VL} [kN]	Type	kg	mm 			
1,50	50	287	0,8	28,33	3,4	6,9	8,9	7,2	SK 1282 - 90 LP/4	31	D61			
	56	256	0,9	25,22	3,4	6,8	9,1	7,2						
	69	209	1,1	20,57	3,3	6,6	9,3	7,2						
	82	174	1,3	17,21	3,2	6,4	9,4	7,2						
	100	143	1,5	14,11	3,2	6,1	9,5	7,2						
	120	119	1,7	11,76	3,0	5,8	9,4	7,2						
	137	105	1,9	10,34	3,0	5,6	9,0	7,2						
	154	92,7	2,0	9,18	2,9	5,4	8,8	7,2						
	172	83,3	2,3	8,24	2,8	5,2	8,5	7,2						
	173	82,8	1,9	8,21	2,8	5,3	8,5	7,2						
	195	73,4	2,5	7,24	2,7	5,0	8,2	7,2						
	220	65,0	2,8	6,43	2,6	4,8	7,9	7,2						
	259	55,4	3,1	5,47	2,5	4,6	7,6	7,2						
	296	48,4	2,6	4,79	2,5	4,4	7,3	7,2						
2,20	1,0	20330	1,2	1419,20	110,7	102,0	120,0	130,0	SK 9382/42 - 100 LP/4	745	D77 D82			
	1,2	16880	1,4	1178,81	108,1	102,0	120,0	130,0						
	1,7	12700	1,9	886,49	102,2	102,0	120,0	130,0						
	2,0	10260	2,3	715,38	98,8	102,0	120,0	130,0						
	2,4	8874	2,7	618,30	95,8	102,0	120,0	130,0						
		3,2	6465	3,7	449,57	88,7	102,0	120,0	130,0	SK 8382/32 - 100 LP/4	428	D75 D82		
	1,4	15230	0,8	1064,91	73,0	73,0	100,0	100,0						
	1,6	12750	0,9	891,21	79,8	73,0	100,0	100,0						
	2,0	10280	1,2	718,43	84,1	73,0	100,0	100,0						
		2,4	8749	1,4	612,94	82,2	73,0	100,0	100,0	SK 8382/42 - 100 LP/4	443	D75 D82		
	2,7	7891	1,5	551,02	80,9	73,0	100,0	100,0						
	3,1	6723	1,8	468,52	78,4	73,0	100,0	100,0						
		3,8	5541	2,3	386,68	75,7	73,0	100,0	105,0	SK 8382 - 100 LP/4	398	D75		
	4,6	4562	2,8	318,31	72,2	73,0	100,0	105,0						
		2,6	8184	0,9	569,97	45,3	58,0	73,3	80,0	SK 7382/22 - 100 LP/4	292	D73 D82		
	3,4	6235	1,1	435,50	51,5	58,0	77,3	80,0						
	3,9	5395	1,3	376,26	53,5	58,0	78,6	80,0						
		5,0	4231	1,7	295,54	55,7	58,0	80,2	80,0	SK 7382/32 - 100 LP/4	303	D73 D82		
	6,6	3198	2,2	223,20	53,3	58,0	81,2	80,0						
		4,3	4852	1,6	338,79	54,6	58,0	79,4	80,0	SK 7382 - 100 LP/4	273	D73		
	5,4	3919	1,9	273,57	56,0	58,0	80,5	80,0						
6,8	3104	2,7	216,43	53,0	58,0	81,3	80,0							
7,2	2936	2,6	204,99	52,5	58,0	81,4	80,0							
9,0	2325	2,7	162,17	49,5	58,0	81,8	80,0							
9,7	2156	3,5	150,57	48,8	58,0	81,9	80,0							
12	1766	4,3	123,37	46,4	58,0	82,1	80,0							
14	1528	4,9	106,59	44,5	58,0	82,2	80,0							
	3,4	6230	0,9	435,29	23,2	46,5	47,2	60,0	SK 6382/22 - 100 LP/4				219	D71 D82
3,7	5642	1,0	393,19	27,7	46,5	49,6	60,0							
	4,6	4555	1,2	317,28	33,5	46,5	53,0	60,0	SK 6382 - 100 LP/4	200	D71			
5,5	3842	1,5	267,59	36,2	46,5	54,8	60,0							
5,8	3608	1,2	251,76	37,0	46,5	55,3	60,0							
6,5	3239	1,2	225,79	38,0	46,5	56,0	60,0							
6,9	3044	1,5	212,33	38,6	46,5	56,4	60,0							
8,5	2458	2,3	171,34	39,9	46,5	57,3	60,0							
9,1	2296	2,5	159,88	40,2	46,5	57,5	60,0							
12	1819	2,5	126,87	41,0	46,5	58,0	60,0							
13	1646	3,6	114,79	41,2	46,5	58,2	60,0							
	5,4	3912	0,8	273,15	20,7	32,0	37,5	40,0				SK 5282/12 - 100 LP/4	129	D68 D82

Parallel shaft gear units



P ₁ [kW]	n ₂ [min ⁻¹]	M ₂ [Nm]	f _B	i _{ges}	F _R [kN]	F _A [kN]	F _{R VL} [kN]	F _{A VL} [kN]	Type	kg	mm 			
2,20	5,9	3566	0,9	248,70	23,0	32,0	38,8	40,0	SK 5382 - 100 LP/4	138	D69			
	7,2	2908	1,1	202,57	26,3	32,0	40,9	40,0						
	8,5	2457	1,1	171,27	28,0	32,0	42,0	40,0						
	9,5	2206	1,5	153,92	28,1	32,0	42,6	40,0						
	11	1990	1,6	138,82	27,6	32,0	43,0	40,0						
	12	1682	1,6	117,37	26,5	32,0	43,5	40,0						
	16	1312	2,2	91,71	25,5	32,0	44,0	40,0						
	18	1184	2,4	82,72	24,9	32,0	44,1	40,0						
	11	1922	1,4	134,03	27,7	32,0	43,1	40,0	SK 5282 - 100 LP/4	119	D68			
	15	1436	1,6	100,19	26,0	32,0	43,8	40,0						
	16	1317	2,1	91,81	25,5	32,0	44,0	40,0						
	18	1171	1,6	81,61	24,6	32,0	44,1	40,0						
	21	984	3,0	68,63	23,7	32,0	44,3	40,0						
	9,6	2187	0,8	152,47	15,6	22,0	26,5	30,0	SK 4282/12 - 100 LP/4	93	D66 D82			
	10	2016	1,0	140,60	16,8	22,0	27,1	30,0						
	12	1700	1,2	118,38	17,1	22,0	28,2	30,0	SK 4382 - 100 LP/4	98	D67			
	14	1489	1,3	103,82	16,9	22,0	28,9	30,0						
	17	1244	1,6	86,83	16,5	22,0	29,4	30,0						
	13	1588	1,0	110,78	17,3	22,0	28,6	30,0						
	16	1298	1,2	90,52	16,8	22,0	29,3	30,0						
	19	1081	1,5	75,39	16,4	22,0	29,8	30,0	SK 4282 - 100 LP/4	83	D66			
	24	884	2,0	61,60	15,7	22,0	30,1	30,0						
	28	749	2,4	52,20	15,1	22,0	30,3	30,0						
	33	646	2,5	45,05	14,7	22,0	29,3	30,0						
	34	626	2,6	43,65	14,5	22,0	29,0	30,0						
	36	585	2,7	40,74	14,4	22,0	28,5	30,0						
	40	528	2,7	36,81	14,0	22,0	27,7	30,0						
	45	463	3,5	32,34	13,6	22,0	26,9	30,0						
	23	919	1,1	64,12	9,4	14,5	21,1	20,0				SK 3282 - 100 LP/4	68	D64
	28	760	1,1	52,97	9,2	14,5	20,4	20,0						
	33	643	1,1	44,85	9,0	14,5	19,6	20,0						
	35	603	1,5	42,02	9,1	14,5	19,4	20,0						
	38	553	1,1	38,62	8,8	14,5	18,9	20,0						
	39	542	1,5	37,77	8,9	14,5	19,0	20,0						
	46	457	1,9	31,93	8,7	14,5	18,2	20,0						
	51	411	2,1	28,70	8,5	14,5	17,8	20,0						
	57	371	2,3	25,88	8,3	14,5	17,3	20,0						
	62	340	2,4	23,71	8,1	14,5	16,9	20,0						
	65	321	2,5	22,45	8,1	14,5	16,7	20,0						
	69	306	2,4	21,38	8,0	14,5	16,5	20,0						
	73	289	2,8	20,18	7,9	14,5	16,3	20,0						
	88	239	3,5	16,67	7,5	14,1	15,5	20,0						
	104	202	4,2	14,11	7,2	13,2	14,8	20,0						
	33	627	0,9	43,71	7,1	12,0	12,1	15,0	SK 2282 - 100 LP/4	53	D62			
	40	524	1,0	36,54	7,5	12,0	12,7	15,0						
	47	447	1,0	31,23	7,3	12,0	13,1	15,0						
	49	425	1,2	29,65	7,4	12,0	13,2	15,0						
	55	384	1,1	26,83	7,3	12,0	13,4	15,0						
	59	358	1,4	24,97	7,2	12,0	13,4	15,0						
	61	344	1,3	23,96	7,2	12,0	13,5	15,0						
	67	314	1,5	21,90	7,0	12,0	13,6	15,0						
	79	265	1,8	18,51	6,8	12,0	13,7	15,0						
	88	237	2,0	16,53	6,6	12,0	13,3	15,0						
	111	189	2,1	13,23	6,2	12,0	12,6	15,0						
	124	169	2,3	11,81	6,1	11,9	12,2	15,0						
	144	146	2,4	10,15	5,8	11,3	11,7	15,0						
	163	129	2,6	9,03	5,7	10,9	11,4	15,0						
	175	120	2,1	8,37	5,5	10,5	11,1	15,0						
	196	107	2,3	7,48	5,3	10,1	10,8	15,0						
	228	92,2	2,5	6,43	5,1	9,6	10,3	15,0						
	257	81,7	2,6	5,72	5,0	9,2	10,0	15,0						
	325	64,7	2,9	4,51	4,7	8,4	9,4	15,0						


2,20 kW
3,00 kW



P ₁ [kW]	n ₂ [min ⁻¹]	M ₂ [Nm]	f _B	i _{ges}	F _R [kN]	F _A [kN]	F _{R VL} [kN]	F _{A VL} [kN]	Type	kg	mm 			
2,20	71	295	0,8	20,57	2,7	5,3	8,9	7,2	SK 1282 - 100 LP/4	42	D61			
	85	247	0,9	17,21	2,8	5,2	9,1	7,2						
	104	202	1,0	14,11	2,8	5,2	9,3	7,2						
	125	168	1,2	11,76	2,7	5,0	9,0	7,2						
	142	148	1,3	10,34	2,7	4,9	8,7	7,2						
	160	131	1,4	9,18	2,6	4,8	8,5	7,2						
	178	118	1,6	8,24	2,5	4,6	8,2	7,2						
	179	117	1,4	8,21	2,6	4,8	8,3	7,2						
	202	104	1,8	7,24	2,5	4,5	8,0	7,2						
	228	92,0	2,0	6,43	2,4	4,4	7,7	7,2						
	268	78,5	2,2	5,47	2,4	4,2	7,4	7,2						
	307	68,5	1,9	4,79	2,3	4,1	7,2	7,2						
3,00	1,0	27820	0,9	1419,20	97,0	102,0	120,0	130,0	SK 9382/42 - 100 AP/4	745	D77 D82			
	1,2	23100	1,0	1178,81	97,2	102,0	120,0	130,0						
	1,6	17380	1,4	886,49	93,8	102,0	120,0	130,0						
	2,0	14040	1,7	715,38	92,4	102,0	120,0	130,0						
	2,4	12140	2,0	618,30	90,2	102,0	120,0	130,0						
	3,2	8847	2,7	449,57	84,9	102,0	120,0	130,0						
	8,3	3434	7,4	175,05	79,7	102,0	120,0	130,0	SK 9382 - 100 AP/4	700	D77			
	2,0	14060	0,9	718,43	74,6	73,0	100,0	100,0	SK 8382/32 - 100 AP/4	428	D75 D82			
	2,4	11970	1,0	612,94	74,1	73,0	100,0	100,0						
	2,7	10800	1,1	551,02	73,5	73,0	100,0	100,0	SK 8382/42 - 100 AP/4	443	D75 D82			
	3,1	9199	1,3	468,52	72,3	73,0	100,0	100,0						
	4,2	6805	1,8	346,66	69,2	73,0	100,0	100,0						
	3,8	7582	1,7	386,68	71,2	73,0	100,0	105,0	SK 8382 - 100 AP/4	398	D75			
	4,6	6242	2,1	318,31	68,3	73,0	100,0	105,0						
	7,3	3941	2,7	201,00	62,2	73,0	100,0	105,0						
	3,4	8532	0,8	435,50	43,4	58,0	72,1	80,0	SK 7382/22 - 100 AP/4	292	D73 D82			
	3,9	7382	1,0	376,26	47,9	58,0	74,9	80,0						
	4,3	6640	1,1	338,79	50,2	58,0	76,4	80,0	SK 7382 - 100 AP/4	273	D73			
	5,3	5363	1,4	273,57	52,1	58,0	78,6	80,0						
	6,7	4247	2,0	216,43	49,9	58,0	80,1	80,0						
	7,1	4017	1,9	204,99	49,8	58,0	80,3	80,0						
	9,0	3181	2,0	162,17	47,3	58,0	81,2	80,0						
	9,7	2949	2,6	150,57	46,7	58,0	81,4	80,0						
	12	2416	3,1	123,37	44,7	58,0	81,8	80,0						
	14	2090	3,6	106,59	43,1	58,0	81,9	80,0						
	3,7	7720	0,8	393,19	0	46,5	40,6	60,0				SK 6382 - 100 AP/4	200	D71
	4,6	6233	0,9	317,28	22,8	46,5	47,0	60,0						
	5,4	5257	1,1	267,59	29,8	46,5	50,8	60,0						
	5,8	4938	0,9	251,76	31,4	46,5	51,8	60,0						
	6,5	4431	0,9	225,79	33,8	46,5	53,2	60,0						
	6,9	4165	1,1	212,33	34,9	46,5	53,9	60,0						
	8,5	3363	1,7	171,34	37,6	46,5	55,7	60,0						
	9,1	3142	1,8	159,88	38,2	46,5	56,1	60,0						
	12	2489	1,8	126,87	39,8	46,5	57,2	60,0						
	13	2252	2,6	114,79	39,6	46,5	57,5	60,0						
	16	1819	3,3	92,63	37,8	46,5	58,0	60,0						
18	1575	2,6	80,33	36,6	46,5	58,2	60,0	SK 6282 - 100 AP/4	203	D70				
7,2	3979	0,8	202,57	19,9	32,0	37,1	40,0	SK 5382 - 100 AP/4	138	D69				
8,5	3362	0,8	171,27	24,0	32,0	39,4	40,0							
9,5	3019	1,1	153,92	25,5	32,0	40,5	40,0							
11	2723	1,2	138,82	25,2	32,0	41,3	40,0							
12	2301	1,2	117,37	24,6	32,0	42,3	40,0							
16	1796	1,6	91,71	24,1	32,0	43,3	40,0							
18	1620	1,7	82,72	23,6	32,0	43,5	40,0							

Parallel shaft gear units



P ₁ [kW]	n ₂ [min ⁻¹]	M ₂ [Nm]	f _B	i _{ges}	F _R [kN]	F _A [kN]	F _{R VL} [kN]	F _{A VL} [kN]	Type	kg	mm 						
3,00	11	2630	1,0	134,03	25,6	32,0	41,5	40,0	SK 5282 - 100 AP/4	119	D68						
	15	1965	1,1	100,19	24,5	32,0	43,0	40,0									
	16	1802	1,5	91,81	24,2	32,0	43,3	40,0									
	18	1603	1,1	81,61	23,4	32,0	43,6	40,0									
	21	1346	2,2	68,63	22,7	32,0	43,9	40,0									
	26	1098	2,4	55,90	21,6	32,0	43,1	40,0									
	31	928	2,6	47,27	20,7	32,0	41,3	40,0									
	36	800	3,1	40,80	20,2	32,0	39,9	40,0									
	44	656	3,5	33,43	19,1	32,0	37,9	40,0									
	12	2326	0,9	118,38	14,4	22,0	25,7	30,0				SK 4382 - 100 AP/4	98	D67			
	14	2038	1,0	103,82	14,8	22,0	27,0	30,0									
	17	1703	1,2	86,83	14,7	22,0	28,2	30,0									
	16	1776	0,9	90,52	15,0	22,0	27,9	30,0				SK 4282 - 100 AP/4	83	D66			
	19	1505	1,1	76,70	14,7	22,0	28,8	30,0									
	24	1210	1,5	61,60	14,6	22,0	29,5	30,0									
	28	1025	1,8	52,20	14,1	22,0	29,6	30,0									
	32	884	1,8	45,05	13,9	22,0	28,7	30,0									
	33	856	1,9	43,65	13,6	22,0	28,4	30,0									
	36	800	1,9	40,74	13,7	22,0	28,0	30,0									
	40	723	1,9	36,81	13,4	22,0	27,3	30,0									
	45	634	2,6	32,34	13,1	22,0	26,5	30,0									
	55	518	3,4	26,43	12,4	22,0	25,1	30,0									
	56	515	3,1	26,25	12,4	22,0	25,1	30,0									
	65	439	3,9	22,39	11,9	22,0	24,0	30,0									
	68	421	4,0	21,45	11,8	22,0	23,8	30,0									
	35	825	1,1	42,02	8,1	14,5	18,7	20,0							SK 3282 - 100 AP/4	68	D64
	39	741	1,1	37,77	8,0	14,5	18,2	20,0									
46	626	1,4	31,93	8,0	14,5	17,7	20,0										
51	562	1,5	28,70	7,8	14,5	17,3	20,0										
56	507	1,7	25,88	7,8	14,5	16,9	20,0										
62	465	1,7	23,71	7,6	14,4	16,5	20,0										
65	440	1,8	22,45	7,6	14,4	16,4	20,0										
68	419	1,7	21,38	7,5	14,1	16,1	20,0										
72	395	2,1	20,18	7,4	13,9	15,9	20,0										
88	327	2,6	16,67	7,2	13,2	15,2	20,0										
104	276	3,1	14,11	6,9	12,5	14,6	20,0										
129	223	3,7	11,38	6,6	11,7	13,8	20,0										
149	192	4,4	9,80	6,3	11,1	13,2	20,0										
174	165	4,1	8,31	6,0	10,5	12,6	19,3										
216	133	4,6	6,70	5,7	9,8	11,9	18,3										
255	113	4,9	5,74	5,5	9,2	11,5	17,6										
321	89,1	5,2	4,48	5,1	8,5	10,7	16,5										
49	582	0,9	29,65	6,6	12,0	12,3	15,0	SK 2282 - 100 AP/4	53	D62							
54	526	0,8	26,83	6,6	12,0	12,7	15,0										
58	490	1,0	24,97	6,5	12,0	12,9	15,0										
61	471	0,9	23,96	6,6	12,0	13,0	15,0										
67	430	1,1	21,90	6,4	12,0	13,1	15,0										
79	363	1,3	18,51	6,3	12,0	13,4	15,0										
88	325	1,4	16,53	6,2	12,0	13,0	15,0										
111	259	1,6	13,23	5,9	11,5	12,3	15,0										
124	232	1,7	11,81	5,8	11,2	12,0	15,0										
144	199	1,8	10,15	5,6	10,7	11,6	15,0										
162	177	1,9	9,03	5,4	10,3	11,2	15,0										
175	164	1,6	8,37	5,3	9,9	10,9	15,0										
195	147	1,7	7,48	5,2	9,6	10,6	15,0										
227	126	1,8	6,43	5,0	9,2	10,2	15,0										
256	112	1,9	5,72	4,8	8,8	9,9	15,0										
324	88,5	2,1	4,51	4,6	8,2	9,3	15,0										
104	276	0,8	14,11	2,1	4,7	9,0	7,2				SK 1282 - 100 AP/4	42	D61				
124	230	0,9	11,76	2,3	4,1	8,7	7,2										
141	203	1,0	10,34	2,3	4,1	8,5	7,2										
159	180	1,1	9,18	2,3	4,1	8,3	7,2										
177	161	1,2	8,24	2,2	4,0	8,0	7,2										
178	161	1,0	8,21	2,3	4,2	8,1	7,2										
201	142	1,3	7,24	2,2	3,9	7,8	7,2										
228	126	1,4	6,43	2,2	3,9	7,6	7,2										
267	107	1,6	5,47	2,2	3,8	7,3	7,2										
306	93,8	1,4	4,79	2,2	3,7	7,1	7,2										

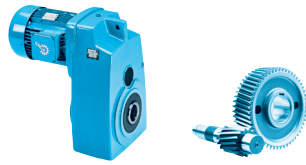
Parallel shaft
gear units


4,00 kW



P ₁ [kW]	n ₂ [min ⁻¹]	M ₂ [Nm]	f _B	i _{ges}	F _R [kN]	F _A [kN]	F _{R VL} [kN]	F _{A VL} [kN]	Type	kg	mm 		
4,00	1,2	31230	0,8	1178,81	82,4	102,0	120,0	130,0	SK 9382/42 - 112 MP/4	752	D77 D82		
	1,6	23490	1,0	886,49	82,8	102,0	120,0	130,0					
	2,0	18980	1,3	715,38	83,7	102,0	120,0	130,0					
	2,3	16410	1,5	618,30	82,7	102,0	120,0	130,0					
	3,2	11960	2,0	449,57	79,4	102,0	120,0	130,0					
	8,2	4643	5,5	175,05	77,5	102,0	120,0	130,0	SK 9382 - 112 MP/4	708	D77		
	2,6	14600	0,8	551,02	64,3	73,0	100,0	100,0	SK 8382/42 - 112 MP/4	450	D75 D82		
	3,1	12440	1,0	468,52	64,4	73,0	100,0	100,0					
	4,2	9200	1,3	346,66	63,5	73,0	100,0	100,0					
	4,9	7838	1,5	294,43	62,4	73,0	100,0	100,0					
	6,6	5808	2,1	223,40	59,8	73,0	100,0	100,0					
	3,7	10250	1,2	386,68	64,8	73,0	100,0	105,0	SK 8382 - 112 MP/4	406	D75		
	4,5	8438	1,5	318,31	63,0	73,0	100,0	105,0					
	7,2	5327	2,0	201,00	58,7	73,0	100,0	105,0					
	10	3817	3,3	143,91	55,2	73,0	100,0	105,0					
11	3323	3,7	125,38	53,3	73,0	100,0	105,0						
4,3	8976	0,8	338,79	42,4	58,0	71,5	80,0	SK 7382 - 112 MP/4	280	D73			
5,3	7250	1,0	273,57	47,0	58,0	75,5	80,0						
6,7	5741	1,4	216,43	45,8	58,0	78,2	80,0						
7,0	5430	1,4	204,99	46,0	58,0	78,7	80,0						
8,9	4300	1,5	162,17	44,2	58,0	80,2	80,0						
9,6	3987	1,9	150,57	44,0	58,0	80,5	80,0						
12	3266	2,3	123,37	42,4	58,0	81,2	80,0						
14	2826	2,7	106,59	41,3	58,0	81,5	80,0						
15	2468	3,1	93,18	39,9	58,0	81,8	80,0						
18	2089	3,6	78,81	38,3	58,0	82,0	80,0						
21	1808	4,0	68,10	37,1	58,0	79,2	80,0						
5,4	7107	0,8	267,59	14,9	46,5	43,7	60,0				SK 6382 - 112 MP/4	208	D71
6,8	5630	0,8	212,33	28,3	46,5	49,9	60,0						
8,4	4546	1,2	171,34	33,8	46,5	53,2	60,0						
9,0	4247	1,4	159,88	35,0	46,5	54,0	60,0						
11	3365	1,4	126,87	37,5	46,5	55,9	60,0						
13	3045	1,9	114,79	37,1	46,5	56,4	60,0						
16	2458	2,4	92,63	35,8	46,5	57,3	60,0						
19	1997	3,0	75,18	34,3	46,5	57,9	60,0						
20	1948	2,9	73,50	34,0	46,5	57,9	60,0						
24	1582	3,5	59,66	32,4	46,5	58,3	60,0						
28	1353	3,8	51,07	31,3	46,5	58,4	60,0						
18	2129	1,9	80,33	35,0	46,5	57,7	60,0	SK 6282 - 112 MP/4	210	D70			
22	1736	1,9	65,44	33,2	46,5	58,1	60,0						
9,4	4081	0,8	153,92	19,8	32,0	37,0	40,0	SK 5382 - 112 MP/4	146	D69			
10	3681	0,9	138,82	22,3	32,0	38,6	40,0						
12	3111	0,9	117,37	22,0	32,0	40,4	40,0						
16	2427	1,2	91,71	22,2	32,0	42,2	40,0						
17	2190	1,3	82,72	21,9	32,0	42,6	40,0						
14	2657	0,8	100,19	22,4	32,0	41,6	40,0	SK 5282 - 112 MP/4	126	D68			
16	2436	1,1	91,81	22,3	32,0	42,2	40,0						
18	2167	0,8	81,61	21,7	32,0	42,7	40,0						
21	1820	1,6	68,63	21,3	32,0	43,3	40,0						
26	1484	1,8	55,90	20,4	32,0	42,1	40,0						
28	1365	2,4	51,49	20,2	32,0	41,4	40,0						
30	1254	1,9	47,27	19,6	32,0	40,3	40,0						
34	1113	2,9	41,94	19,2	32,0	39,2	40,0						
35	1082	2,3	40,80	19,3	32,0	39,1	40,0						
41	940	2,9	35,46	18,5	32,0	37,5	40,0						
43	886	2,6	33,43	18,5	32,0	37,2	40,0						
19	2034	0,8	76,70	12,7	22,0	27,2	30,0				SK 4282 - 112 MP/4	90	D66
23	1635	1,1	61,60	13,0	22,0	28,5	30,0						
28	1385	1,3	52,20	12,8	22,0	28,3	30,0						
32	1195	1,3	45,05	12,8	22,0	27,7	30,0						
33	1158	1,4	43,65	12,5	22,0	27,4	30,0						

Parallel shaft gear units



P ₁ [kW]	n ₂ [min ⁻¹]	M ₂ [Nm]	f _B	i _{ges}	F _R [kN]	F _A [kN]	F _{R VL} [kN]	F _{A VL} [kN]	Type	kg	mm 				
4,00	35	1082	1,4	40,74	12,7	22,0	27,1	30,0	SK 4282 - 112 MP/4	90	D66				
	38	1017	2,0	38,31	12,4	22,0	26,6	30,0							
	39	977	1,4	36,81	12,4	22,0	26,5	30,0							
	40	965	1,4	36,40	12,2	22,0	26,1	30,0							
	45	850	2,1	32,04	12,1	22,0	25,5	30,0							
	54	709	2,3	26,72	11,6	22,0	24,4	30,0							
	55	701	2,6	26,43	11,8	22,0	24,5	30,0							
	64	594	2,9	22,39	11,3	21,5	23,5	30,0							
	67	569	3,0	21,45	11,3	21,3	23,3	30,0							
	79	482	3,7	18,18	10,8	20,2	22,3	30,0							
	95	403	4,5	15,20	10,4	19,1	21,3	30,0							
		34	1115	0,8	42,02	6,8	13,3	17,6				20,0	SK 3282 - 112 MP/4	76	D64
		38	1002	0,8	37,77	6,9	13,2	17,3				20,0			
		45	846	1,0	31,93	7,0	13,4	16,9				20,0			
		50	760	1,1	28,70	7,0	13,2	16,5				20,0			
		56	686	1,2	25,88	7,0	13,1	16,2				20,0			
		61	628	1,3	23,71	6,9	12,8	15,9				20,0			
		64	595	1,3	22,45	6,9	12,9	15,8				20,0			
		67	567	1,3	21,38	6,8	12,6	15,6				20,0			
71		534	1,5	20,18	6,8	12,6	15,4	20,0							
86		442	1,9	16,67	6,6	12,1	14,7	20,0							
102		374	2,3	14,11	6,4	11,6	14,2	20,0							
127		301	2,7	11,38	6,2	10,9	13,5	20,0							
147		259	3,2	9,80	6,0	10,5	13,0	19,6							
171		223	3,0	8,31	5,7	9,9	12,4	18,8							
213		180	3,4	6,70	5,5	9,3	11,7	17,9							
251		152	3,6	5,74	5,3	8,8	11,3	17,2							
317		120	3,8	4,48	4,9	8,1	10,5	16,2							
		66	581	0,8	21,90	5,7	11,3	12,4	15,0	SK 2282 - 112 MP/4	60	D62			
		78	491	1,0	18,51	5,7	11,2	12,9	15,0						
	87	439	1,1	16,53	5,6	11,0	12,6	15,0							
	109	350	1,2	13,23	5,4	10,4	11,9	15,0							
	122	313	1,2	11,81	5,4	10,2	11,6	15,0							
	142	269	1,3	10,15	5,2	9,9	11,2	15,0							
	160	239	1,4	9,03	5,1	9,6	10,9	15,0							
	172	222	1,2	8,37	5,0	9,2	10,6	15,0							
	193	198	1,2	7,48	4,8	8,9	10,4	15,0							
	224	171	1,3	6,43	4,7	8,6	10,0	15,0							
	253	151	1,4	5,72	4,6	8,3	9,7	15,0							
	319	120	1,6	4,51	4,4	7,8	9,1	15,0							
		157	243	0,8	9,18	1,9	3,3	7,9	7,2				SK 1282 - 112 MP/4	50	D61
		175	218	0,9	8,24	1,9	3,2	7,7	7,2						
199		192	1,0	7,24	1,9	3,2	7,5	7,2							
224		170	1,1	6,43	1,9	3,3	7,3	7,2							
263		145	1,2	5,47	1,9	3,3	7,1	7,2							
301		127	1,0	4,79	1,9	3,2	6,8	7,2							
5,50	4,3	12304	2,7	343,19	140	150,0	140,0	150,0	SK 10382.1 - 132 SP/4	1053	D57				
	4,7	11194	2,7	312,23	140	150,0	140,0	150,0							
	5,2	10180	2,7	283,96	140	150,0	140,0	150,0							
	5,7	9262	2,7	258,35	140	150,0	140,0	150,0							
	1,7	31750	0,8	886,49	65,6	102,0	120,0	130,0	SK 9382/42 - 132 SP/4	772	D77				
	2,0	25650	0,9	715,38	70,6	102,0	120,0	130,0							
	2,4	22190	1,1	618,30	71,5	102,0	120,0	130,0							
	3,2	16160	1,5	449,57	71,5	102,0	120,0	130,0							
	3,6	14720	1,6	411,63	71,0	102,0	120,0	130,0	SK 9382/52 - 132 SP/4	801	D77 D86				
	4,2	12630	2,0	352,36	85,6	102,0	120,0	130,0	SK 9382 - 132 SP/4	727	D77				
	5,0	10430	2,3	291,25	82,1	102,0	120,0	130,0							
	7,2	7337	3,0	204,68	77,0	102,0	120,0	130,0							
	8,4	6275	4,0	175,05	74,3	102,0	120,0	130,0							

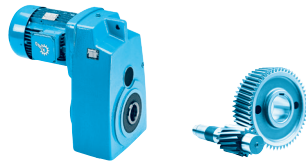
Parallel shaft
gear units


5,50 kW



P ₁ [kW]	n ₂ [min ⁻¹]	M ₂ [Nm]	f _B	i _{ges}	F _R [kN]	F _A [kN]	F _{R VL} [kN]	F _{A VL} [kN]	Type	kg	mm 			
5,50	4,2	12430	1,0	346,66	54,7	73,0	100,0	100,0	SK 8382/42 - 132 SP/4	470	D75 D82			
	5,0	10590	1,1	294,43	54,9	73,0	100,0	100,0						
	6,7	7850	1,5	223,40	54,2	73,0	100,0	100,0						
	7,9	6688	1,8	185,94	53,2	73,0	100,0	100,0						
	3,8	13850	0,9	386,68	55,1	73,0	100,0	105,0	SK 8382 - 132 SP/4	425	D75			
	4,6	11400	1,1	318,31	54,9	73,0	100,0	105,0						
	5,0	10540	1,2	294,01	55,7	73,0	100,0	105,0						
	6,1	8675	1,5	242,02	54,5	73,0	100,0	105,0						
	7,3	7200	1,5	201,00	53,7	73,0	100,0	105,0						
	7,9	6652	1,9	185,66	53,8	73,0	100,0	105,0						
	9,6	5477	2,4	152,83	51,8	73,0	100,0	105,0						
	10	5159	2,4	143,91	51,5	73,0	100,0	105,0						
	12	4248	2,9	118,47	49,4	73,0	100,0	105,0						
	14	3697	3,3	103,21	48,1	73,0	99,9	105,0						
	5,4	9799	0,8	273,57	38,2	58,0	69,1	80,0	SK 7382 - 132 SP/4	300	D73			
	6,8	7760	1,1	216,43	39,7	58,0	74,4	80,0						
	7,2	7339	1,0	204,99	40,2	58,0	75,3	80,0						
	9,0	5812	1,1	162,17	39,7	58,0	78,1	80,0						
	9,7	5389	1,4	150,57	39,8	58,0	78,7	80,0						
	12	4414	1,7	123,37	38,9	58,0	80,0	80,0						
	14	3819	2,0	106,59	38,2	58,0	80,7	80,0						
	16	3336	2,3	93,18	37,4	58,0	81,1	80,0						
	19	2823	2,6	78,81	36,2	58,0	80,1	80,0						
	8,5	6144	0,9	171,34	24,6	46,5	47,9	60,0				SK 6382 - 132 SP/4	227	D71
	9,1	5740	1,0	159,88	27,5	46,5	49,5	60,0						
	12	4547	1,0	126,87	33,4	46,5	53,2	60,0						
	13	4115	1,4	114,79	33,5	46,5	54,3	60,0						
	16	3323	1,8	92,63	32,9	46,5	55,9	60,0						
	19	2700	2,2	75,18	31,9	46,5	57,0	60,0						
	20	2632	2,1	73,50	31,7	46,5	57,1	60,0						
	18	2877	1,4	80,33	32,6	46,5	56,7	60,0	SK 6282 - 132 SP/4	230	D70			
	22	2347	1,4	65,44	31,1	46,5	57,5	60,0						
	24	2189	2,1	61,08	31,1	46,5	57,6	60,0						
	29	1785	2,3	49,75	29,5	46,5	58,1	60,0						
	37	1414	2,3	39,48	28,0	46,5	56,1	60,0						
	16	3281	0,9	91,71	19,4	32,0	39,9	40,0	SK 5382 - 132 SP/4	165	D69			
	18	2960	0,9	82,72	19,3	32,0	40,8	40,0						
	16	3292	0,8	91,81	19,4	32,0	39,9	40,0	SK 5282 - 132 SP/4	146	D68			
	21	2459	1,2	68,63	19,2	32,0	42,1	40,0						
	26	2006	1,3	55,90	18,6	32,0	40,4	40,0						
	28	1844	1,8	51,49	18,6	32,0	39,9	40,0						
	31	1695	1,4	47,27	18,1	32,0	38,9	40,0						
	35	1504	2,1	41,94	17,9	32,0	38,0	40,0						
	36	1462	1,7	40,80	18,1	32,0	38,0	40,0						
	41	1271	2,1	35,46	17,4	32,0	36,5	40,0						
	44	1198	1,9	33,43	17,4	32,0	36,3	40,0						
	48	1092	2,7	30,50	17,0	32,0	35,4	40,0						
	59	895	3,2	25,00	16,3	30,8	33,7	40,0						
	24	2210	0,8	61,60	10,6	21,6	26,5	30,0				SK 4282 - 132 SP/4	110	D66
	28	1873	1,0	52,20	10,8	21,3	26,7	30,0						
	33	1616	1,0	45,05	11,2	22,0	26,3	30,0						
	34	1565	1,0	43,65	10,9	21,3	25,9	30,0						
	36	1462	1,1	40,74	11,2	21,8	25,8	30,0						
	38	1375	1,5	38,31	10,9	21,3	25,3	30,0						
	40	1321	1,1	36,81	11,1	21,4	25,2	30,0						
	45	1158	1,4	32,34	11,1	21,3	24,7	30,0						
	46	1149	1,6	32,04	10,8	20,7	24,5	30,0						
	55	947	1,9	26,43	10,8	20,5	23,6	30,0						
	56	941	1,7	26,25	10,8	20,5	23,6	30,0						
	65	802	2,1	22,39	10,5	19,5	22,8	30,0						
	68	769	2,2	21,45	10,5	19,5	22,6	30,0						
	81	652	2,8	18,18	10,1	18,7	21,6	30,0						
	96	545	3,3	15,20	9,8	17,8	20,8	30,0						
	116	454	3,9	12,68	9,4	16,7	19,8	30,0						

Parallel shaft
gear units



P ₁ [kW]	n ₂ [min ⁻¹]	M ₂ [Nm]	f _B	i _{ges}	F _R [kN]	F _A [kN]	F _{R VL} [kN]	F _{A VL} [kN]	Type	kg	mm 				
5,50	46	1144	0,8	31,93	5,6	10,4	15,6	20,0	SK 3282 - 132 SP/4	95	D64				
	51	1028	0,8	28,70	5,7	10,5	15,4	20,0							
	57	927	0,9	25,88	5,8	10,6	15,2	20,0							
	62	849	0,9	23,71	5,8	10,5	15,0	20,0							
	65	804	1,0	22,45	5,9	10,8	14,9	20,0							
	69	766	0,9	21,38	5,8	10,6	14,7	20,0							
	73	722	1,1	20,18	5,9	10,7	14,6	20,0							
	88	597	1,4	16,67	5,9	10,5	14,1	20,0							
	104	505	1,7	14,11	5,8	10,2	13,6	20,0							
	129	407	2,0	11,38	5,7	9,9	13,0	19,4							
	150	350	2,4	9,80	5,6	9,5	12,6	18,8							
	174	301	2,2	8,31	5,3	9,0	12,0	18,1							
	216	243	2,5	6,70	5,1	8,6	11,4	17,2							
	255	206	2,7	5,74	5,0	8,2	11,0	16,7							
	323	163	2,8	4,48	4,7	7,6	10,3	15,7							
		88	594	0,8	16,53	4,8	9,1	11,9				15,0	SK 2282 - 132 SP/4	80	D62
		111	473	0,9	13,23	4,7	8,8	11,3				15,0			
124		423	0,9	11,81	4,7	8,8	11,1	15,0							
144		364	1,0	10,15	4,7	8,7	10,8	15,0							
163		323	1,0	9,03	4,7	8,5	10,5	15,0							
175		300	0,9	8,37	4,5	8,1	10,3	15,0							
196		268	0,9	7,48	4,4	8,0	10,0	15,0							
228		231	1,0	6,43	4,3	7,8	9,7	15,0							
257		204	1,0	5,72	4,3	7,6	9,4	15,0							
325		162	1,1	4,51	4,1	7,2	8,9	15,0							
7,50		4,3	16835	2,0	343,19	140,0	150,0	140,0	150,0	SK 10382.1 - 132 MP/4	1060	D78-79			
		4,7	15317	2,0	312,23	140,0	150,0	140,0	150,0						
		5,1	13929	2,0	283,96	140,0	150,0	140,0	150,0						
	5,7	12673	2,0	258,35	140,0	150,0	140,0	150,0							
		2,4	30360	0,8	618,30	56,2	102,0	120,0	130,0	SK 9382/42 - 132 MP/4	779	D77 D82			
		3,2	22120	1,1	449,57	60,5	102,0	120,0	130,0						
		3,6	20140	1,2	411,63	61,0	102,0	120,0	130,0	SK 9382/52 - 132 MP/4	808	D77 D86			
		4,1	17280	1,5	352,36	77,2	102,0	120,0	130,0	SK 9382 - 132 MP/4	734	D77			
		5,0	14270	1,7	291,25	75,1	102,0	120,0	130,0						
		7,1	10040	2,2	204,68	72,2	102,0	120,0	130,0						
		8,3	8586	3,0	175,05	70,3	102,0	120,0	130,0						
		10	7093	3,4	144,69	67,2	102,0	120,0	130,0						
		11	6655	3,8	135,90	66,8	102,0	120,0	130,0						
		4,9	14490	0,8	294,43	44,9	73,0	100,0	100,0	SK 8382/42 - 132 MP/4	477	D75 D82			
		5,0	14420	0,9	294,01	45,9	73,0	100,0	105,0	SK 8382 - 132 MP/4	432	D75			
		6,0	11870	1,1	242,02	46,6	73,0	100,0	105,0						
		7,9	9102	1,4	185,66	47,6	73,0	100,0	105,0						
9,6		7494	1,8	152,83	46,7	73,0	100,0	105,0							
10		7060	1,8	143,91	47,0	73,0	100,0	105,0							
12		5812	2,1	118,47	45,7	73,0	100,0	105,0							
14		5059	2,4	103,21	44,7	73,0	97,2	105,0							
16		4454	2,7	90,94	44,0	73,0	94,6	105,0							
19		3714	3,3	75,69	42,4	73,0	90,3	105,0							
		20	3540	2,2	72,21	42,3	72,4	0	0				SK 8282 - 132 MP/4	428	D74
	7,1	10040	0,8	204,99	30,6	58,0	56,2	80,0	SK 7382 - 132 MP/4	307	D73				
	9,0	7953	0,8	162,17	33,4	58,0	74,0	80,0							
	9,7	7374	1,0	150,57	34,3	58,0	75,3	80,0							
	12	6039	1,2	123,37	34,5	58,0	77,7	80,0							
	14	5226	1,4	106,59	34,3	58,0	79,0	80,0							
	16	4565	1,7	93,18	34,0	58,0	79,8	80,0							
	19	3863	1,9	78,81	33,3	58,0	77,6	80,0							
	21	3343	2,2	68,10	32,5	58,0	75,1	80,0							
	25	2920	2,4	59,52	32,0	56,3	72,9	80,0							

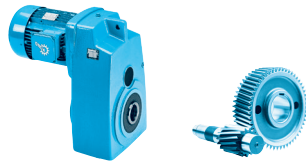
Parallel shaft gear units


7,50 kW



P ₁ [kW]	n ₂ [min ⁻¹]	M ₂ [Nm]	f _B	i _{ges}	F _R [kN]	F _A [kN]	F _{R VL} [kN]	F _{A VL} [kN]	Type	kg	mm 																																																																																																																																																																																																																																																																																																																																																																																																																																																																																																																													
7,50	21	3424	1,7	69,73	33,3	58,0	76,0	80,0	SK 7282 - 132 MP/4	300	D72																																																																																																																																																																																																																																																																																																																																																																																																																																																																																																																													
	26	2791	2,0	56,91	31,8	55,9	72,3	80,0					13	5631	1,0	114,79	28,3	46,5	49,9	60,0	SK 6382 - 132 MP/4	234	D71		16	4546	1,3	92,63	29,0	46,5	53,2	60,0		19	3694	1,6	75,18	28,9	46,5	55,2	60,0		20	3602	1,5	73,50	28,5	46,5	55,4	60,0		24	2926	1,9	59,66	28,0	46,5	56,6	60,0		29	2503	2,0	51,07	27,5	46,5	57,2	60,0		34	2081	2,2	42,46	26,7	46,0	55,6	60,0		40	1779	2,6	36,34	26,0	44,0	53,6	60,0		47	1516	3,0	30,91	25,2	42,0	51,6	60,0		24	2995	1,5	61,08	28,6	46,5	56,5	60,0	SK 6282 - 132 MP/4	237	D70		29	2442	1,7	49,75	27,5	46,5	57,3	60,0		37	1935	1,7	39,48	26,4	45,1	54,7	60,0		49	1466	3,1	29,90	25,2	42,0	51,4	60,0		56	1276	3,6	26,05	24,5	40,0	49,6	60,0		26	2725	0,9	55,55	16,6	31,8	38,8	40,0	SK 5282 - 132 MP/4	153	D68		28	2524	1,3	51,49	16,6	32,0	38,3	40,0		35	2058	1,6	41,94	16,2	32,0	36,5	40,0		36	2001	1,2	40,80	16,4	30,8	36,6	40,0		41	1739	1,6	35,46	15,9	31,0	35,2	40,0		44	1639	1,4	33,43	16,1	29,8	35,2	40,0		48	1495	1,9	30,50	15,9	30,4	34,3	40,0		58	1224	2,4	25,00	15,4	28,9	32,9	40,0		72	999	3,1	20,36	14,7	27,0	31,2	40,0		77	925	2,8	18,88	14,6	26,6	30,7	40,0		36	2001	0,8	40,74	9,2	17,6	24,2	30,0	SK 4282 - 132 MP/4	117	D66		38	1881	1,1	38,31	8,9	17,1	23,7	30,0		40	1807	0,8	36,81	9,2	17,5	23,8	30,0		45	1585	1,0	32,34	9,5	17,8	23,4	30,0		46	1572	1,1	32,04	9,1	17,2	23,1	30,0		55	1296	1,4	26,43	9,5	17,6	22,6	30,0		56	1288	1,2	26,25	9,6	17,8	22,6	30,0		65	1098	1,5	22,39	9,3	17,1	21,8	30,0		68	1053	1,6	21,45	9,4	17,3	21,7	30,0		80	892	2,0	18,18	9,2	16,7	20,9	30,0		96	745	2,4	15,20	9,0	16,1	20,1	30,0		115	621	2,8	12,68	8,7	15,3	19,2	30,0		135	531	3,2	10,85	8,5	14,8	18,6	30,0		158	453	3,6	9,23	8,3	14,2	17,9	29,6		175	409	3,1	8,33	8,0	13,5	17,3	28,7		205	350	3,4	7,13	7,7	13,0	16,7	27,8		240	298	4,0	6,06	7,4	12,4	16,0	26,7		268	267	3,9	5,43	7,2	12,0	15,6	26,0		292	245	4,2	5,00	7,1	11,6	15,2	25,4		72	988	0,8	20,18	4,7	8,2	13,7	19,4	SK 3282 - 132 MP/4	102	D64		88	817	1,0	16,67	4,9	8,4	13,2	19,1		104	691	1,2	14,11	4,9	8,4	12,9	18,7		129	557	1,5	11,38	5,0	8,4	12,4	18,2		149	479	1,7	9,80	4,9	8,2	12,1	17,8		174	412	1,6	8,31	4,8	7,9	11,6	17,2		216	332	1,8	6,70	4,7	7,6	11,1	16,5		255	281	2,0	5,74	4,6	7,4	10,7	16,0		321	223	2,1	4,48	4,4	7,1	10,1	15,2		162	441	0,8	9,03	4,0	7,1	10,0	15,0	SK 2282 - 132 MP/4	87	D62		256	280	0,8	5,72	3,8	6,7	9,1	15,0		324	221	0,8	4,51
	13	5631	1,0	114,79	28,3	46,5	49,9	60,0	SK 6382 - 132 MP/4	234	D71																																																																																																																																																																																																																																																																																																																																																																																																																																																																																																																													
	16	4546	1,3	92,63	29,0	46,5	53,2	60,0																																																																																																																																																																																																																																																																																																																																																																																																																																																																																																																																
	19	3694	1,6	75,18	28,9	46,5	55,2	60,0																																																																																																																																																																																																																																																																																																																																																																																																																																																																																																																																
	20	3602	1,5	73,50	28,5	46,5	55,4	60,0																																																																																																																																																																																																																																																																																																																																																																																																																																																																																																																																
	24	2926	1,9	59,66	28,0	46,5	56,6	60,0																																																																																																																																																																																																																																																																																																																																																																																																																																																																																																																																
	29	2503	2,0	51,07	27,5	46,5	57,2	60,0																																																																																																																																																																																																																																																																																																																																																																																																																																																																																																																																
	34	2081	2,2	42,46	26,7	46,0	55,6	60,0																																																																																																																																																																																																																																																																																																																																																																																																																																																																																																																																
	40	1779	2,6	36,34	26,0	44,0	53,6	60,0																																																																																																																																																																																																																																																																																																																																																																																																																																																																																																																																
	47	1516	3,0	30,91	25,2	42,0	51,6	60,0		24	2995	1,5	61,08	28,6	46,5	56,5	60,0	SK 6282 - 132 MP/4	237	D70		29	2442	1,7	49,75	27,5	46,5	57,3	60,0		37	1935	1,7	39,48	26,4	45,1	54,7	60,0		49	1466	3,1	29,90	25,2	42,0	51,4	60,0		56	1276	3,6	26,05	24,5	40,0	49,6	60,0		26	2725	0,9	55,55	16,6	31,8	38,8	40,0	SK 5282 - 132 MP/4	153	D68		28	2524	1,3	51,49	16,6	32,0	38,3	40,0		35	2058	1,6	41,94	16,2	32,0	36,5	40,0		36	2001	1,2	40,80	16,4	30,8	36,6	40,0		41	1739	1,6	35,46	15,9	31,0	35,2	40,0		44	1639	1,4	33,43	16,1	29,8	35,2	40,0		48	1495	1,9	30,50	15,9	30,4	34,3	40,0		58	1224	2,4	25,00	15,4	28,9	32,9	40,0		72	999	3,1	20,36	14,7	27,0	31,2	40,0		77	925	2,8	18,88	14,6	26,6	30,7	40,0		36	2001				0,8	40,74	9,2	17,6	24,2	30,0	SK 4282 - 132 MP/4	117	D66		38	1881	1,1	38,31	8,9	17,1	23,7	30,0		40	1807	0,8	36,81	9,2	17,5	23,8	30,0		45	1585	1,0	32,34	9,5	17,8	23,4	30,0		46	1572	1,1	32,04	9,1	17,2	23,1	30,0		55	1296	1,4	26,43	9,5	17,6	22,6	30,0		56	1288	1,2	26,25	9,6	17,8	22,6	30,0		65	1098	1,5	22,39	9,3	17,1	21,8	30,0		68	1053	1,6	21,45	9,4	17,3	21,7	30,0		80	892	2,0	18,18	9,2	16,7	20,9	30,0					96	745	2,4	15,20	9,0	16,1	20,1	30,0		115	621	2,8	12,68	8,7	15,3	19,2	30,0		135	531	3,2	10,85	8,5	14,8	18,6	30,0		158	453	3,6	9,23	8,3	14,2	17,9	29,6		175	409	3,1	8,33	8,0	13,5	17,3	28,7		205	350	3,4	7,13	7,7	13,0	16,7	27,8		240	298	4,0	6,06	7,4	12,4	16,0	26,7		268	267	3,9	5,43	7,2	12,0	15,6	26,0		292	245	4,2	5,00	7,1	11,6	15,2	25,4		72	988	0,8	20,18	4,7	8,2	13,7	19,4	SK 3282 - 132 MP/4	102	D64		88	817	1,0	16,67	4,9	8,4	13,2	19,1		104	691	1,2	14,11	4,9	8,4	12,9	18,7		129	557	1,5	11,38	5,0	8,4	12,4	18,2		149	479	1,7	9,80	4,9	8,2	12,1	17,8		174	412	1,6	8,31	4,8	7,9	11,6	17,2		216	332	1,8	6,70	4,7	7,6	11,1	16,5		255	281	2,0	5,74	4,6	7,4	10,7	16,0		321	223	2,1	4,48	4,4	7,1	10,1	15,2		162	441	0,8	9,03	4,0	7,1	10,0	15,0	SK 2282 - 132 MP/4	87	D62		256	280	0,8	5,72	3,8	6,7	9,1	15,0		324	221	0,8	4,51	3,8	6,5	8,6	15,0																																																																													
	24	2995	1,5	61,08	28,6	46,5	56,5	60,0	SK 6282 - 132 MP/4	237	D70																																																																																																																																																																																																																																																																																																																																																																																																																																																																																																																													
	29	2442	1,7	49,75	27,5	46,5	57,3	60,0																																																																																																																																																																																																																																																																																																																																																																																																																																																																																																																																
	37	1935	1,7	39,48	26,4	45,1	54,7	60,0																																																																																																																																																																																																																																																																																																																																																																																																																																																																																																																																
	49	1466	3,1	29,90	25,2	42,0	51,4	60,0																																																																																																																																																																																																																																																																																																																																																																																																																																																																																																																																
	56	1276	3,6	26,05	24,5	40,0	49,6	60,0					26	2725	0,9	55,55	16,6	31,8	38,8	40,0	SK 5282 - 132 MP/4	153	D68		28	2524	1,3	51,49	16,6	32,0	38,3	40,0		35	2058	1,6	41,94	16,2	32,0	36,5	40,0		36	2001	1,2	40,80	16,4	30,8	36,6	40,0		41	1739	1,6	35,46	15,9	31,0	35,2	40,0		44	1639	1,4	33,43	16,1				29,8	35,2	40,0		48	1495	1,9	30,50	15,9	30,4	34,3	40,0		58	1224	2,4	25,00	15,4	28,9	32,9	40,0		72	999	3,1	20,36	14,7	27,0	31,2	40,0		77	925	2,8	18,88	14,6	26,6	30,7	40,0		36	2001	0,8	40,74	9,2	17,6	24,2	30,0	SK 4282 - 132 MP/4	117	D66		38	1881	1,1	38,31	8,9	17,1	23,7	30,0		40	1807	0,8	36,81	9,2	17,5	23,8	30,0		45	1585	1,0	32,34	9,5	17,8	23,4	30,0		46	1572	1,1	32,04	9,1	17,2	23,1	30,0		55	1296	1,4	26,43	9,5				17,6	22,6	30,0		56	1288	1,2	26,25	9,6	17,8	22,6	30,0		65	1098	1,5	22,39	9,3	17,1	21,8	30,0		68	1053	1,6	21,45	9,4	17,3	21,7	30,0		80	892	2,0	18,18	9,2	16,7	20,9	30,0		96	745	2,4	15,20	9,0	16,1	20,1	30,0		115	621	2,8	12,68	8,7	15,3	19,2	30,0		135	531	3,2	10,85	8,5	14,8	18,6	30,0		158	453	3,6	9,23	8,3	14,2	17,9	29,6		175	409	3,1	8,33	8,0				13,5	17,3	28,7		205	350	3,4	7,13	7,7	13,0	16,7	27,8		240	298	4,0	6,06	7,4	12,4	16,0	26,7		268	267	3,9	5,43	7,2	12,0	15,6	26,0		292	245	4,2	5,00	7,1	11,6	15,2	25,4		72	988	0,8	20,18	4,7	8,2	13,7	19,4	SK 3282 - 132 MP/4	102	D64		88	817	1,0	16,67	4,9	8,4	13,2	19,1		104	691	1,2	14,11	4,9	8,4	12,9	18,7		129	557	1,5	11,38	5,0	8,4	12,4	18,2		149	479	1,7	9,80	4,9	8,2	12,1	17,8		174	412				1,6	8,31	4,8	7,9	11,6	17,2		216	332	1,8	6,70	4,7	7,6	11,1	16,5		255	281	2,0	5,74	4,6	7,4	10,7	16,0		321	223	2,1	4,48	4,4	7,1	10,1	15,2		162	441	0,8	9,03	4,0	7,1	10,0	15,0	SK 2282 - 132 MP/4	87	D62		256	280	0,8	5,72	3,8	6,7	9,1	15,0		324	221	0,8	4,51	3,8	6,5	8,6	15,0																																																																																																																				
	26	2725	0,9	55,55	16,6	31,8	38,8	40,0	SK 5282 - 132 MP/4	153	D68																																																																																																																																																																																																																																																																																																																																																																																																																																																																																																																													
	28	2524	1,3	51,49	16,6	32,0	38,3	40,0																																																																																																																																																																																																																																																																																																																																																																																																																																																																																																																																
	35	2058	1,6	41,94	16,2	32,0	36,5	40,0																																																																																																																																																																																																																																																																																																																																																																																																																																																																																																																																
	36	2001	1,2	40,80	16,4	30,8	36,6	40,0																																																																																																																																																																																																																																																																																																																																																																																																																																																																																																																																
	41	1739	1,6	35,46	15,9	31,0	35,2	40,0																																																																																																																																																																																																																																																																																																																																																																																																																																																																																																																																
	44	1639	1,4	33,43	16,1	29,8	35,2	40,0																																																																																																																																																																																																																																																																																																																																																																																																																																																																																																																																
	48	1495	1,9	30,50	15,9	30,4	34,3	40,0																																																																																																																																																																																																																																																																																																																																																																																																																																																																																																																																
	58	1224	2,4	25,00	15,4	28,9	32,9	40,0																																																																																																																																																																																																																																																																																																																																																																																																																																																																																																																																
	72	999	3,1	20,36	14,7	27,0	31,2	40,0																																																																																																																																																																																																																																																																																																																																																																																																																																																																																																																																
	77	925	2,8	18,88	14,6	26,6	30,7	40,0					36	2001	0,8	40,74	9,2	17,6	24,2	30,0				SK 4282 - 132 MP/4	117	D66		38	1881	1,1	38,31	8,9	17,1	23,7	30,0		40	1807	0,8	36,81	9,2	17,5	23,8	30,0		45	1585	1,0	32,34	9,5	17,8	23,4	30,0		46	1572	1,1	32,04	9,1	17,2	23,1	30,0		55	1296	1,4	26,43	9,5	17,6	22,6	30,0		56	1288	1,2	26,25	9,6	17,8	22,6	30,0		65	1098	1,5	22,39	9,3	17,1	21,8	30,0		68	1053	1,6	21,45	9,4	17,3	21,7	30,0		80	892	2,0	18,18	9,2	16,7	20,9	30,0		96	745	2,4	15,20	9,0	16,1	20,1	30,0					115	621	2,8	12,68	8,7	15,3	19,2	30,0		135	531	3,2	10,85	8,5	14,8	18,6	30,0		158	453	3,6	9,23	8,3	14,2	17,9	29,6		175	409	3,1	8,33	8,0	13,5	17,3	28,7		205	350	3,4	7,13	7,7				13,0	16,7	27,8		240	298	4,0	6,06	7,4	12,4	16,0	26,7		268	267	3,9	5,43	7,2	12,0	15,6	26,0		292	245	4,2	5,00	7,1	11,6	15,2	25,4		72	988	0,8	20,18	4,7	8,2	13,7	19,4	SK 3282 - 132 MP/4	102	D64		88	817	1,0	16,67	4,9	8,4	13,2	19,1		104	691	1,2	14,11	4,9	8,4	12,9	18,7		129	557	1,5	11,38	5,0	8,4	12,4	18,2		149	479	1,7	9,80	4,9	8,2	12,1	17,8		174	412	1,6	8,31	4,8	7,9	11,6	17,2		216	332	1,8	6,70	4,7	7,6	11,1	16,5		255	281	2,0	5,74	4,6	7,4	10,7	16,0		321	223	2,1	4,48	4,4	7,1	10,1	15,2		162	441	0,8	9,03	4,0	7,1	10,0	15,0	SK 2282 - 132 MP/4	87	D62		256	280	0,8	5,72	3,8	6,7	9,1	15,0		324	221	0,8	4,51	3,8	6,5	8,6	15,0																																																																																																																																																																																																																				
	36	2001	0,8	40,74	9,2	17,6	24,2	30,0				SK 4282 - 132 MP/4	117	D66																																																																																																																																																																																																																																																																																																																																																																																																																																																																																																																										
	38	1881	1,1	38,31	8,9	17,1	23,7	30,0																																																																																																																																																																																																																																																																																																																																																																																																																																																																																																																																
	40	1807	0,8	36,81	9,2	17,5	23,8	30,0																																																																																																																																																																																																																																																																																																																																																																																																																																																																																																																																
	45	1585	1,0	32,34	9,5	17,8	23,4	30,0																																																																																																																																																																																																																																																																																																																																																																																																																																																																																																																																
	46	1572	1,1	32,04	9,1	17,2	23,1	30,0																																																																																																																																																																																																																																																																																																																																																																																																																																																																																																																																
	55	1296	1,4	26,43	9,5	17,6	22,6	30,0																																																																																																																																																																																																																																																																																																																																																																																																																																																																																																																																
	56	1288	1,2	26,25	9,6	17,8	22,6	30,0																																																																																																																																																																																																																																																																																																																																																																																																																																																																																																																																
	65	1098	1,5	22,39	9,3	17,1	21,8	30,0																																																																																																																																																																																																																																																																																																																																																																																																																																																																																																																																
	68	1053	1,6	21,45	9,4	17,3	21,7	30,0																																																																																																																																																																																																																																																																																																																																																																																																																																																																																																																																
	80	892	2,0	18,18	9,2	16,7	20,9	30,0																																																																																																																																																																																																																																																																																																																																																																																																																																																																																																																																
	96	745	2,4	15,20	9,0	16,1	20,1	30,0																																																																																																																																																																																																																																																																																																																																																																																																																																																																																																																																
	115	621	2,8	12,68	8,7	15,3	19,2	30,0																																																																																																																																																																																																																																																																																																																																																																																																																																																																																																																																
	135	531	3,2	10,85	8,5	14,8	18,6	30,0																																																																																																																																																																																																																																																																																																																																																																																																																																																																																																																																
	158	453	3,6	9,23	8,3	14,2	17,9	29,6																																																																																																																																																																																																																																																																																																																																																																																																																																																																																																																																
	175	409	3,1	8,33	8,0	13,5	17,3	28,7																																																																																																																																																																																																																																																																																																																																																																																																																																																																																																																																
	205	350	3,4	7,13	7,7	13,0	16,7	27,8																																																																																																																																																																																																																																																																																																																																																																																																																																																																																																																																
	240	298	4,0	6,06	7,4	12,4	16,0	26,7																																																																																																																																																																																																																																																																																																																																																																																																																																																																																																																																
	268	267	3,9	5,43	7,2	12,0	15,6	26,0																																																																																																																																																																																																																																																																																																																																																																																																																																																																																																																																
	292	245	4,2	5,00	7,1	11,6	15,2	25,4		72	988				0,8	20,18	4,7	8,2	13,7	19,4	SK 3282 - 132 MP/4	102	D64					88	817	1,0	16,67	4,9	8,4	13,2	19,1		104	691	1,2	14,11	4,9	8,4	12,9	18,7		129	557	1,5	11,38	5,0	8,4	12,4	18,2		149	479	1,7	9,80	4,9	8,2	12,1	17,8		174	412	1,6	8,31	4,8	7,9	11,6	17,2		216	332	1,8	6,70	4,7	7,6	11,1	16,5		255	281	2,0	5,74	4,6	7,4	10,7	16,0		321	223	2,1	4,48	4,4	7,1	10,1	15,2		162	441	0,8	9,03	4,0	7,1	10,0	15,0	SK 2282 - 132 MP/4	87	D62		256	280	0,8	5,72	3,8	6,7	9,1	15,0		324	221	0,8	4,51	3,8	6,5	8,6	15,0																																																																																																																																																																																																																																																																																																																																																																																																								
	72	988	0,8	20,18	4,7	8,2	13,7	19,4	SK 3282 - 132 MP/4	102	D64																																																																																																																																																																																																																																																																																																																																																																																																																																																																																																																													
	88	817	1,0	16,67	4,9	8,4	13,2	19,1																																																																																																																																																																																																																																																																																																																																																																																																																																																																																																																																
	104	691	1,2	14,11	4,9	8,4	12,9	18,7																																																																																																																																																																																																																																																																																																																																																																																																																																																																																																																																
	129	557	1,5	11,38	5,0	8,4	12,4	18,2																																																																																																																																																																																																																																																																																																																																																																																																																																																																																																																																
	149	479	1,7	9,80	4,9	8,2	12,1	17,8																																																																																																																																																																																																																																																																																																																																																																																																																																																																																																																																
	174	412	1,6	8,31	4,8	7,9	11,6	17,2																																																																																																																																																																																																																																																																																																																																																																																																																																																																																																																																
	216	332	1,8	6,70	4,7	7,6	11,1	16,5																																																																																																																																																																																																																																																																																																																																																																																																																																																																																																																																
	255	281	2,0	5,74	4,6	7,4	10,7	16,0																																																																																																																																																																																																																																																																																																																																																																																																																																																																																																																																
	321	223	2,1	4,48	4,4	7,1	10,1	15,2					162	441	0,8	9,03	4,0	7,1	10,0	15,0	SK 2282 - 132 MP/4	87	D62		256	280	0,8	5,72	3,8	6,7	9,1	15,0		324	221	0,8	4,51	3,8	6,5	8,6	15,0																																																																																																																																																																																																																																																																																																																																																																																																																																																																																															
	162	441	0,8	9,03	4,0	7,1	10,0	15,0	SK 2282 - 132 MP/4	87	D62																																																																																																																																																																																																																																																																																																																																																																																																																																																																																																																													
	256	280	0,8	5,72	3,8	6,7	9,1	15,0																																																																																																																																																																																																																																																																																																																																																																																																																																																																																																																																
	324	221	0,8	4,51	3,8	6,5	8,6	15,0																																																																																																																																																																																																																																																																																																																																																																																																																																																																																																																																

Parallel shaft gear units



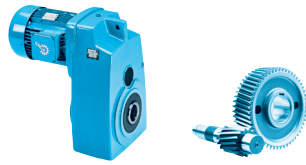
P ₁ [kW]	n ₂ [min ⁻¹]	M ₂ [Nm]	f _B	i _{ges}	F _R [kN]	F _A [kN]	F _{R VL} [kN]	F _{A VL} [kN]	Type	kg	mm 
9,20	4,3	20510	1,6	343,19	140,0	150,0	140,0	150,0	SK 10382.1 - 160 SP/4	1090	D78-79
	4,7	18660	1,6	312,23	140,0	150,0	140,0	150,0			
	5,2	16971	1,6	283,96	140,0	150,0	140,0	150,0			
	5,7	15440	1,6	258,35	140,0	150,0	140,0	150,0			
	6,5	13503	3,5	225,94	140,0	150,0	140,0	150,0			
	7,2	12285	3,5	205,57	140,0	150,0	140,0	150,0			
	7,9	11173	3,9	186,95	140,0	150,0	140,0	150,0			
	8,5	10325	4,5	172,76	140,0	150,0	140,0	150,0			
	9,4	9393	4,5	157,18	140,0	150,0	140,0	150,0			
3,3	26950	0,9	449,57	51,0	102,0	120,0	130,0	SK 9382/42 - 160 SP/4	810	D77 D82	
3,6	24530	1,0	411,63	52,6	102,0	120,0	130,0	SK 9382/52 - 160 SP/4	839	D77 D86	
4,2	21050	1,2	352,36	70,3	102,0	120,0	130,0	SK 9382 - 160 SP/4	765	D77	
5,1	17390	1,4	291,25	68,9	102,0	120,0	130,0				
7,2	12230	1,8	204,68	68,4	102,0	120,0	130,0				
8,4	10460	2,4	175,05	67,0	102,0	120,0	130,0				
10	8642	2,8	144,69	64,2	102,0	120,0	130,0				
11	8108	3,1	135,90	64,3	102,0	120,0	130,0				
13	6904	3,7	115,57	62,1	102,0	117,6	130,0				
15	6018	4,2	100,89	60,4	102,0	113,8	130,0				
6,1	14460	0,9	242,02	39,4	73,0	100,0	105,0	SK 8382 - 160 SP/4	463	D75	
7,9	11090	1,1	185,66	42,5	73,0	100,0	105,0				
9,6	9130	1,4	152,83	42,4	73,0	100,0	105,0				
10	8601	1,5	143,91	43,2	73,0	100,0	105,0				
12	7081	1,8	118,47	42,4	73,0	97,1	105,0				
14	6163	2,0	103,21	42,0	73,0	94,7	105,0				
16	5426	2,2	90,94	41,4	73,0	92,2	105,0				
19	4524	2,7	75,69	40,5	69,4	88,5	105,0				
23	3894	2,9	65,22	39,4	66,8	85,5	105,0				
20	4313	1,8	72,21	40,3	69,1	0	0				SK 8282 - 160 SP/4
9,8	8984	0,8	150,57	29,4	58,0	71,4	80,0	SK 7382 - 160 SP/4	338	D73	
12	7358	1,0	123,37	30,7	58,0	75,2	80,0				
14	6367	1,2	106,59	31,0	58,0	77,2	80,0				
16	5561	1,4	93,18	31,1	58,0	78,1	80,0				
19	4707	1,6	78,81	30,6	56,0	75,4	80,0				
22	4073	1,8	68,10	30,5	54,6	73,4	80,0				
25	3557	2,0	59,52	30,0	52,9	71,2	80,0				
28	3193	2,2	53,38	29,9	52,0	69,8	80,0				
32	2789	2,5	46,66	29,2	50,4	67,6	80,0				
21	4172	1,4	69,73	31,1	55,9	74,2	80,0				SK 7282 - 160 SP/4
26	3401	1,6	56,91	30,1	52,9	70,7	80,0				
32	2729	2,1	45,67	29,4	50,4	67,5	80,0				
33	2693	1,6	45,02	28,9	49,5	66,9	80,0				
39	2224	2,9	37,27	28,1	47,4	64,2	80,0				
13	6861	0,9	114,79	17,7	46,5	44,8	60,0	SK 6382 - 160 SP/4	265	D71	
16	5539	1,1	92,63	25,7	46,5	50,2	60,0				
20	4500	1,3	75,18	26,1	46,5	53,3	60,0				
25	3565	1,5	59,66	25,8	46,5	55,5	60,0				
29	3049	1,7	51,07	25,6	45,1	56,4	60,0				
35	2535	1,8	42,46	25,2	43,3	54,4	60,0				
41	2168	2,1	36,34	24,6	41,8	52,6	60,0				
48	1847	2,5	30,91	24,0	40,0	50,6	60,0				
24	3649	1,2	61,08	26,5	46,5	55,3	60,0	SK 6282 - 160 SP/4	268	D70	
30	2976	1,4	49,75	25,9	45,2	56,3	60,0				
37	2357	1,4	39,48	25,0	42,6	53,5	60,0				
49	1786	2,5	29,90	24,2	40,2	50,5	60,0				
56	1555	2,9	26,05	23,6	38,7	48,8	60,0				
64	1369	3,3	22,95	23,0	37,2	47,4	60,0				


9,20 kW
11,0 kW



P ₁ [kW]	n ₂ [min ⁻¹]	M ₂ [Nm]	f _B	i _{ges}	F _R [kN]	F _A [kN]	F _{R VL} [kN]	F _{A VL} [kN]	Type	kg	mm
9,20	36	2438	1,0	40,80	15,0	27,8	35,5	40,0	SK 5282 - 160 SP/4	184	D68
	44	1997	1,2	33,43	14,9	27,2	34,1	40,0			
	48	1821	1,6	30,50	14,8	28,4	33,4	40,0			
	59	1492	1,9	25,00	14,5	27,2	32,1	40,0			
	72	1217	2,5	20,36	13,9	25,7	30,6	40,0			
	78	1127	2,3	18,88	13,9	25,4	30,1	40,0			
	83	1053	2,6	17,59	13,6	24,7	29,5	40,0			
	96	919	2,8	15,38	13,3	23,9	28,7	40,0			
	46	1931	0,8	32,34	8,1	15,0	22,2	30,0			
	56	1578	1,1	26,43	8,3	15,3	21,6	30,0			
	66	1337	1,3	22,39	8,4	15,1	21,0	30,0			
	69	1282	1,3	21,45	8,5	15,4	21,0	30,0			
	81	1087	1,7	18,18	8,5	15,0	20,3	30,0			
	97	908	2,0	15,20	8,4	14,7	19,5	30,0			
	116	757	2,3	12,68	8,1	14,1	18,8	30,0			
	136	647	2,6	10,85	8,0	13,8	18,1	29,8			
159	552	3,0	9,23	7,8	13,4	17,5	28,9				
176	498	2,6	8,33	7,6	12,7	17,0	28,1				
206	426	2,8	7,13	7,4	12,3	16,4	27,1				
242	363	3,3	6,06	7,2	11,8	15,7	26,1				
270	325	3,2	5,43	7,0	11,4	15,3	25,5				
294	299	3,5	5,00	6,9	11,2	15,0	25,0				
312	282	3,7	4,70	6,8	11,0	14,8	24,6				
11,0	4,3	24607	1,4	343,19	140,0	150,0	140,0	150,0	SK 10382.1 - 160 MP/4	1090	D78-79
	4,7	22388	1,4	312,23	140,0	150,0	140,0	150,0			
	5,2	20360	1,4	283,96	140,0	150,0	140,0	150,0			
	5,7	18524	1,4	258,35	140,0	150,0	140,0	150,0			
	6,5	16201	2,9	225,94	140,0	150,0	140,0	150,0			
	7,1	14739	2,9	205,57	140,0	150,0	140,0	150,0			
	7,8	13404	3,3	186,95	140,0	150,0	140,0	150,0			
	8,5	12387	3,7	172,76	140,0	150,0	140,0	150,0			
	9,3	11270	3,7	157,18	140,0	150,0	140,0	150,0			
	3,6	29430	0,8	411,63	43,3	91,3	120,0	130,0			
	4,2	25250	1,0	352,36	62,3	102,0	120,0	130,0			
	5,0	20860	1,2	291,25	62,4	102,0	120,0	130,0			
	7,2	14670	1,5	204,68	64,0	102,0	120,0	130,0			
	8,4	12550	2,0	175,05	63,1	102,0	120,0	130,0			
	10	10370	2,3	144,69	61,2	102,0	120,0	130,0			
	11	9727	2,6	135,90	61,3	102,0	120,0	130,0			
	13	8283	3,1	115,57	59,8	102,0	115,8	130,0			
	15	7220	3,5	100,89	58,3	102,0	112,4	130,0			
	18	5965	4,0	83,19	55,7	96,3	106,6	130,0			
	6,1	17350	0,8	242,02	31,8	68,7	100,0	105,0			
	7,9	13300	1,0	185,66	36,9	73,0	100,0	105,0			
	9,6	10950	1,2	152,83	37,7	72,3	98,0	105,0			
	10	10320	1,2	143,91	38,8	73,0	97,7	105,0			
	12	8495	1,5	118,47	38,7	70,8	94,2	105,0			
	14	7395	1,6	103,21	38,9	69,6	92,1	105,0			
	16	6510	1,9	90,94	38,7	68,2	89,8	105,0			
	19	5428	2,2	75,69	38,2	66,0	86,8	105,0			
	22	4672	2,4	65,22	37,6	63,6	83,9	105,0			
	26	4110	2,9	57,43	36,9	61,7	81,6	105,0			
	31	3427	3,5	47,80	35,8	58,7	78,2	105,0			
	34	3120	3,4	43,59	35,5	57,5	76,7	105,0			
	20	5174	1,5	72,21	38,3	66,0	0	0			
	25	4260	1,5	59,44	37,1	62,2	0	0			
	31	3407	3,1	47,51	36,0	59,0	0	0			
	37	2805	3,3	39,11	34,5	55,5	0	0			
	12	8828	0,9	123,37	26,4	52,4	71,9	80,0			
14	7638	1,0	106,59	27,3	52,9	74,7	80,0				
16	6672	1,1	93,18	28,1	52,9	75,5	80,0				
19	5647	1,3	78,81	28,0	51,4	73,2	80,0				
									SK 8282 - 160 MP/4	459	D74
									SK 7382 - 160 MP/4	338	D73

Parallel shaft gear units



P ₁ [kW]	n ₂ [min ⁻¹]	M ₂ [Nm]	f _B	i _{ges}	F _R [kN]	F _A [kN]	F _{R VL} [kN]	F _{A VL} [kN]	Type	kg	mm 		
11,0	21	4886	1,5	68,10	28,1	50,8	71,3	80,0	SK 7382 - 160 MP/4	338	D73		
	25	4268	1,7	59,52	28,0	49,8	69,6	80,0					
	27	3830	1,8	53,38	28,1	49,1	68,3	80,0					
	31	3346	2,1	46,66	27,8	47,8	66,4	80,0					
	21	5005	1,2	69,73	28,9	52,2	72,4	80,0	SK 7282 - 160 MP/4	331	D72		
	26	4080	1,4	56,91	28,2	49,8	69,1	80,0					
	32	3274	1,8	45,67	28,1	48,0	66,3	80,0					
	33	3231	1,4	45,02	27,4	46,9	65,6	80,0					
	39	2669	2,4	37,27	27,0	45,2	63,0	80,0					
	42	2487	2,3	34,64	26,9	44,7	62,2	80,0					
16	6645	0,9	92,63	20,4	43,3	45,9	60,0	SK 6382 - 160 MP/4	265	D71			
19	5399	1,1	75,18	23,3	43,8	50,7	60,0						
20	5264	1,1	73,50	22,9	42,9	51,1	60,0						
25	4277	1,3	59,66	23,5	42,5	53,9	60,0						
29	3658	1,4	51,07	23,7	41,8	54,8	60,0						
35	3041	1,5	42,46	23,6	40,8	52,9	60,0						
40	2601	1,7	36,34	23,3	39,5	51,4	60,0						
47	2216	2,1	30,91	22,9	38,0	49,6	60,0						
24	4377	1,0	61,08	24,4	43,9	53,6	60,0	SK 6282 - 160 MP/4	268	D70			
29	3570	1,1	49,75	23,9	42,1	54,8	60,0						
37	2828	1,1	39,48	23,4	40,1	52,2	60,0						
49	2143	2,1	29,90	23,2	38,4	49,6	60,0						
56	1866	2,4	26,05	22,7	37,2	48,1	60,0						
64	1642	2,8	22,95	22,2	35,7	46,7	60,0						
78	1339	3,3	18,70	21,1	33,4	44,3	60,0						
36	2925	0,9	40,80	13,4	24,6	34,1	40,0				SK 5282 - 160 MP/4	184	D68
44	2395	1,0	33,43	13,7	24,6	33,1	40,0						
48	2185	1,3	30,50	13,7	26,4	32,5	40,0						
59	1790	1,6	25,00	13,6	25,6	31,4	40,0						
72	1459	2,1	20,36	13,2	24,3	29,9	40,0						
78	1353	1,9	18,88	13,3	24,1	29,6	40,0						
83	1263	2,2	17,59	13,0	23,6	29,0	40,0						
95	1103	2,4	15,38	12,8	22,7	28,1	40,0						
113	932	2,8	13,00	12,4	21,6	27,0	40,0						
55	1894	0,9	26,43	7,1	12,9	20,6	30,0	SK 4282 - 160 MP/4	148	D66			
56	1882	0,9	26,25	7,2	13,1	20,7	30,0						
65	1605	1,1	22,39	7,3	13,0	20,1	30,0						
68	1539	1,1	21,45	7,6	13,4	20,2	30,0						
81	1304	1,4	18,18	7,6	13,4	19,6	30,0						
96	1089	1,7	15,20	7,7	13,2	19,0	30,0						
116	908	1,9	12,68	7,5	12,9	18,3	29,6						
135	777	2,2	10,85	7,5	12,7	17,7	28,9						
159	662	2,5	9,23	7,4	12,5	17,2	28,1						
176	598	2,1	8,33	7,1	11,8	16,6	27,3						
206	511	2,4	7,13	7,0	11,5	16,1	26,5						
241	435	2,8	6,06	6,9	11,2	15,5	25,6						
269	390	2,7	5,43	6,7	10,9	15,1	25,0						
293	359	2,9	5,00	6,6	10,7	14,8	24,6						
311	338	3,1	4,70	6,6	10,5	14,6	24,2						
15,0	8,8	16345	4,4	167,17	160,0	170,0	160,0				170,0	SK 11382.1 - 160 LP/4	1720
	4,3	33555	1,0	343,19	132,4	150,0	132,4	150,0	SK 10382.1 - 160 LP/4	1120	D78-79		
	4,7	30529	1,0	312,23	137,0	150,0	137,0	150,0					
	5,2	27764	1,0	283,96	140,0	150,0	140,0	150,0					
	5,7	25260	1,0	258,35	140,0	150,0	140,0	150,0					
	6,5	22092	2,1	225,94	140,0	150,0	140,0	150,0					
	7,1	20099	2,1	205,57	140,0	150,0	140,0	150,0					
	7,8	18279	2,4	186,95	140,0	150,0	140,0	150,0					
	8,5	16891	2,7	172,76	140,0	150,0	140,0	150,0					
	9,3	15368	2,7	157,18	140,0	150,0	140,0	150,0					
5,0	28450	0,8	291,25	47,5	101,0	120,0	130,0	SK 9382 - 160 LP/4				794	D77
7,2	20010	1,1	204,68	54,1	102,0	120,0	130,0						
8,4	17110	1,5	175,05	54,8	102,0	120,0	130,0						
10	14140	1,7	144,69	54,1	100,1	116,7	130,0						

Parallel shaft gear units


15,0 kW



P ₁ [kW]	n ₂ [min ⁻¹]	M ₂ [Nm]	f _B	i _{ges}	F _R [kN]	F _A [kN]	F _{R VL} [kN]	F _{A VL} [kN]	Type	kg	mm 			
15,0	11	13260	1,9	135,90	54,9	100,4	115,9	130,0	SK 9382 - 160 LP/4	794	D77			
	13	11290	2,2	115,57	54,4	97,4	112,1	130,0						
	15	9845	2,6	100,89	53,8	94,6	108,8	130,0						
	18	8134	3,0	83,19	51,7	89,4	103,9	130,0						
	20	7056	3,4	72,19	50,6	86,2	100,6	130,0						
	22	6369	3,8	65,25	49,8	84,1	98,0	129,1						
	9,6	14940	0,9	152,83	27,0	55,5	89,0	105,0				SK 8382 - 160 LP/4	492	D75
	10	14070	0,9	143,91	29,1	57,8	89,6	105,0						
	12	11580	1,1	118,47	30,6	57,8	87,5	105,0						
	14	10080	1,2	103,21	32,0	58,4	86,1	105,0						
	16	8877	1,4	90,94	32,7	58,4	84,9	105,0						
	19	7402	1,6	75,69	33,2	57,8	82,5	105,0						
	22	6371	1,8	65,22	33,2	56,7	80,5	105,0						
	26	5604	2,2	57,43	33,1	55,6	78,4	105,0						
	31	4673	2,6	47,80	32,7	53,8	75,6	105,0						
	34	4255	2,5	43,59	32,8	53,0	74,4	105,0						
	41	3503	3,4	35,88	31,6	50,2	71,0	102,0						
	20	7056	1,1	72,21	33,7	58,4	0	0						
	25	5809	1,1	59,44	33,2	56,1	0	0						
	31	4645	2,3	47,51	33,0	54,1	0	0						
	37	3824	2,4	39,11	31,9	51,3	0	0						
	16	9098	0,8	93,18	20,8	41,5	69,6	80,0				SK 7382 - 160 LP/4	367	D73
19	7700	1,0	78,81	21,9	41,5	68,1	80,0							
21	6663	1,1	68,10	22,9	42,4	66,9	80,0							
25	5820	1,2	59,52	23,5	42,4	65,8	80,0							
27	5223	1,4	53,38	24,2	42,8	65,0	80,0							
31	4562	1,6	46,66	24,3	42,1	63,4	80,0							
40	3613	1,8	36,92	24,0	40,3	60,4	80,0							
48	2981	2,2	30,42	23,7	39,0	58,0	80,0							
21	6825	0,9	69,73	23,9	44,1	68,2	80,0	SK 7282 - 160 LP/4	360	D72				
26	5564	1,0	56,91	24,0	42,8	65,6	80,0							
32	4464	1,3	45,67	24,9	42,8	63,6	80,0							
33	4406	1,0	45,02	24,1	41,5	62,7	80,0							
39	3639	1,8	37,27	24,2	40,8	60,9	80,0							
42	3392	1,7	34,64	24,5	40,8	60,2	80,0							
54	2629	2,2	26,89	23,8	38,7	56,9	80,0							
64	2239	2,6	22,87	23,2	37,0	54,8	79,9							
73	1951	3,0	19,97	22,7	35,6	53,0	77,3							
90	1591	4,1	16,29	21,6	33,3	50,3	73,4							
19	7363	0,8	75,18	10,4	33,3	42,4	60,0				SK 6382 - 160 LP/4	294	D71	
20	7179	0,8	73,50	13,5	32,6	43,3	60,0							
25	5833	0,9	59,66	18,2	34,3	49,2	60,0							
29	4988	1,0	51,07	19,2	34,7	51,0	60,0							
35	4147	1,1	42,46	19,9	34,8	50,0	60,0							
40	3546	1,3	36,34	20,1	34,5	48,7	60,0							
47	3021	1,5	30,91	20,3	34,0	47,6	60,0							
51	2802	1,6	28,72	20,3	33,6	46,9	60,0							
60	2388	2,0	24,42	20,1	32,6	45,3	60,0							
24	5969	0,8	61,08	19,2	35,8	48,7	60,0	SK 6282 - 160 LP/4	297	D70				
29	4868	0,8	49,75	19,7	35,3	51,3	60,0							
37	3857	0,8	39,48	20,0	34,7	49,3	60,0							
49	2923	1,6	29,90	20,8	34,7	47,7	60,0							
56	2544	1,8	26,05	20,6	33,7	46,4	60,0							
64	2240	2,0	22,95	20,4	32,9	45,1	60,0							
78	1827	2,4	18,70	19,6	31,0	43,0	60,0							
99	1447	3,1	14,83	18,8	29,0	40,7	58,5							
48	2979	1,0	30,50	11,2	21,8	30,4	40,0	SK 5282 - 160 LP/4	213	D68				
59	2440	1,2	25,00	11,5	21,8	29,6	40,0							
72	1990	1,6	20,36	11,5	21,1	28,5	40,0							
78	1844	1,4	18,88	11,7	21,4	28,3	40,0							
83	1722	1,6	17,59	11,5	20,9	27,7	40,0							
95	1504	1,7	15,38	11,5	20,5	27,0	40,0							
113	1271	2,1	13,00	11,2	19,6	26,1	40,0							
137	1049	2,4	10,71	11,0	18,9	25,0	40,0							

Parallel shaft gear units



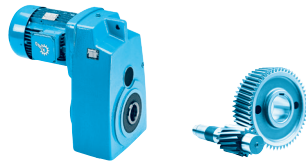
P ₁ [kW]	n ₂ [min ⁻¹]	M ₂ [Nm]	f _B	i _{ges}	F _R [kN]	F _A [kN]	F _{R VL} [kN]	F _{A VL} [kN]	Type	kg	mm 
15,0	155	926	2,5	9,46	10,8	18,3	24,3	40,0	SK 5282 - 160 LP/4	213	D68
	169	850	2,8	8,70	10,5	17,6	23,7	39,7			
	204	701	3,1	7,17	10,1	16,8	22,7	37,9			
	231	619	3,4	6,33	9,9	16,2	22,0	36,8			
	258	556	3,2	5,71	9,7	15,7	21,5	35,9			
	278	515	3,4	5,29	9,6	15,4	21,1	35,2			
	292	491	3,5	5,01	9,5	15,1	20,8	34,8			
	65	2188	0,8	22,39	4,8	8,4	18,1	27,9			
	68	2098	0,8	21,45	5,2	9,1	18,3	28,4			
	81	1778	1,0	18,18	5,6	9,6	18,0	28,1			
	96	1485	1,2	15,20	6,0	10,1	17,6	27,9			
	116	1238	1,4	12,68	6,2	10,2	17,1	27,3			
	135	1059	1,6	10,85	6,3	10,4	16,8	27,0			
	159	902	1,8	9,23	6,5	10,5	16,4	26,4			
	176	815	1,6	8,33	6,2	10,0	15,8	25,6			
	206	697	1,7	7,13	6,2	10,0	15,4	25,1			
	241	594	2,0	6,06	6,2	9,8	14,9	24,4			
	269	532	1,9	5,43	6,1	9,7	14,6	23,9			
	293	489	2,1	5,00	6,1	9,6	14,3	23,6			
311	461	2,2	4,70	6,0	9,5	14,1	23,3				
18,5	8,9	19955	3,6	167,17	160,0	170,0	160,0	170,0	SK 11382.1 - 180 MP/4	1760	D80-81
	10	16919	4,2	141,74	160,0	170,0	160,0	170,0			
	11	15520	4,5	130,02	160,0	170,0	160,0	170,0			
	9	20621	2,2	172,76	140,0	150,0	140,0	150,0			
	9	18761	2,2	157,18	140,0	150,0	140,0	150,0			
	11	16143	2,8	135,24	140,0	150,0	140,0	150,0			
	12	14687	2,8	123,04	140,0	150,0	140,0	150,0			
	13,2	13357	3,4	111,90	140,0	150,0	140,0	150,0			
	15,4	11456	3,9	95,98	140,0	150,0	140,0	150,0			
	17	10423	3,9	87,32	140,0	150,0	140,0	150,0			
	19	9479	4,5	79,41	140,0	150,0	140,0	150,0			
	20	8624	4,7	72,25	140,0	150,0	140,0	150,0			
	6,3	27850	0,9	233,17	26,6	57,2	98,0	122,5			
	7,4	23930	1,0	200,69	30,4	60,8	97,4	122,7			
	8,5	20890	1,2	175,05	47,4	91,3	116,5	130,0			
	10	17260	1,4	144,69	47,7	89,4	112,2	130,0			
	11	16190	1,6	135,90	49,2	90,6	112,0	130,0			
	13	13790	1,8	115,57	49,5	89,4	108,7	130,0			
	15	12020	2,1	100,89	49,5	87,6	105,8	130,0			
	18	9930	2,4	83,19	48,2	83,3	101,2	130,0			
	21	8614	2,8	72,19	47,5	81,0	98,3	128,5			
	23	7775	3,1	65,25	47,0	79,2	95,9	126,1			
	27	6620	3,6	55,49	45,9	76,1	92,5	121,5			
	12	14140	0,9	118,47	23,5	47,2	81,3	105,0			
	14	12310	1,0	103,21	25,8	49,1	80,9	105,0			
	16	10840	1,1	90,94	27,2	50,2	80,2	105,0			
	20	9036	1,3	75,69	28,8	50,7	78,5	105,0			
	23	7777	1,5	65,22	29,4	50,7	77,0	105,0			
	26	6842	1,8	57,43	29,8	50,2	75,5	105,0			
	31	5705	2,1	47,80	29,9	49,3	73,1	105,0			
	34	5194	2,0	43,59	30,3	49,1	72,3	103,7			
41	4277	2,8	35,88	29,5	46,9	69,1	99,4				
48	3681	3,3	30,92	29,1	45,4	67,1	96,3				
52	3384	3,0	28,33	28,9	44,8	65,9	94,8	SK 8282 - 180 MP/4	521	D74	
19	9401	0,8	78,81	16,5	33,2	63,5	80,0				
22	8134	0,9	68,10	18,2	34,9	63,2	80,0				
25	7105	1,0	59,52	19,6	36,0	62,2	80,0				
28	6377	1,1	53,38	20,7	37,1	61,9	80,0				
32	5570	1,3	46,66	21,4	37,3	60,9	80,0				
								SK 7382 - 180 MP/4	400	D73	


18,5 kW
22,0 kW



P ₁ [kW]	n ₂ [min ⁻¹]	M ₂ [Nm]	f _B	i _{ges}	F _R [kN]	F _A [kN]	F _{R VL} [kN]	F _{A VL} [kN]	Type	kg	mm 				
18,5	40	4411	1,5	36,92	21,6	36,4	58,4	80,0	SK 7382 - 180 MP/4	400	D73				
	49	3639	1,8	30,42	21,7	35,6	56,3	80,0							
	55	3214	2,1	26,88	21,6	35,0	55,0	80,0							
	63	2803	2,4	23,46	21,4	34,2	53,5	77,8							
		43	4141	1,4	34,64	22,3	37,3	58,3	80,0	SK 7282 - 180 MP/4	393	D72			
		55	3210	1,8	26,89	22,1	35,8	55,5	80,0						
		65	2733	2,1	22,87	21,8	34,7	53,6	77,9						
		74	2382	2,4	19,97	21,5	33,6	52,0	75,7						
		91	1942	3,3	16,29	20,6	31,6	49,4	71,9						
		25	7121	0,8	59,66	13,6	27,2	43,5	60,0	SK 6382 - 180 MP/4	327	D71			
29		6089	0,8	51,07	15,2	28,6	47,8	60,0							
35		5063	0,9	42,46	16,7	29,8	47,2	60,0							
41		4329	1,1	36,34	17,4	30,2	46,4	60,0							
48		3688	1,2	30,91	17,9	30,4	45,5	60,0							
52		3421	1,3	28,72	18,1	30,1	45,0	60,0							
61		2915	1,6	24,42	18,2	29,8	43,8	60,0							
		50	3568	1,3	29,90	18,7	31,3	45,8	60,0				SK 6282 - 180 MP/4	330	D70
	57	3106	1,5	26,05	18,8	30,8	44,8	60,0							
	65	2734	1,7	22,95	18,8	30,4	43,8	60,0							
	79	2230	2,0	18,70	18,3	28,9	41,9	60,0							
	100	1767	2,5	14,83	17,7	27,3	39,7	57,1							
	120	1473	3,0	12,35	17,3	26,1	38,2	54,9							
	139	1268	3,4	10,64	16,9	25,1	36,9	53,0							
		59	2979	1,0	25,00	9,7	18,7	28,1	40,0	SK 5282 - 180 MP/4	246	D68			
73		2430	1,3	20,36	9,9	18,5	27,2	40,0							
78		2252	1,2	18,88	10,3	19,1	27,1	40,0							
84		2102	1,3	17,59	10,2	18,5	26,6	40,0							
96		1836	1,4	15,38	10,3	18,5	26,1	40,0							
114		1552	1,7	13,00	10,2	17,9	25,2	40,0							
138		1280	2,0	10,71	10,2	17,5	24,3	40,0							
156		1131	2,0	9,46	10,1	17,1	23,7	39,5							
170		1037	2,3	8,70	9,8	16,4	23,1	38,5							
206		856	2,5	7,17	9,6	15,8	22,1	37,0							
234		756	2,8	6,33	9,4	15,3	21,5	36,0							
260		679	2,7	5,71	9,3	14,9	21,0	35,1							
281		629	2,8	5,29	9,1	14,6	20,7	34,5							
295		599	2,8	5,01	9,1	14,4	20,4	34,1							
343		515	3,0	4,32	8,8	13,8	19,7	32,9							
	81	2170	0,8	18,18	3,8	6,4	16,5	25,4	SK 4282 - 180 MP/4	210	D66				
	97	1813	1,0	15,20	4,6	7,4	16,5	25,5							
	117	1512	1,2	12,68	4,9	7,9	16,1	25,2							
	137	1293	1,3	10,85	5,3	8,5	15,9	25,1							
	160	1102	1,5	9,23	5,6	8,8	15,6	24,9							
	178	995	1,3	8,33	5,3	8,4	15,1	24,1							
	208	851	1,4	7,13	5,5	8,6	14,8	23,8							
	244	725	1,7	6,06	5,6	8,6	14,4	23,4							
	272	650	1,6	5,43	5,6	8,6	14,1	23,0							
	296	597	1,7	5,00	5,6	8,6	13,9	22,7							
	314	563	1,8	4,70	5,6	8,6	13,7	22,5							
	22,0	8,8	23811	3,0	167,17	160,0	170,0	160,0				170,0	SK 11382.1 - 180 LP/4	1760	D80-81
		10	20188	3,5	141,74	160,0	170,0	160,0				170,0			
		11	18519	3,8	130,02	160,0	170,0	160,0				170,0			
		13	15924	4,3	111,80	160,0	170,0	160,0				170,0			
14		14497	4,7	101,78	160,0	170,0	160,0	169,1							
	8,5	24606	1,9	172,76	140,0	150,0	140,0	150,0	SK 10382.1 - 180 LP/4	1160	D78-79				
	9,4	22387	1,9	157,18	140,0	150,0	140,0	150,0							
	11	19262	2,4	135,24	140,0	150,0	140,0	150,0							
	12	17525	2,4	123,04	140,0	150,0	140,0	150,0							
	13	15938	2,8	111,90	140,0	150,0	140,0	150,0							
	15	13670	3,2	95,98	140,0	150,0	140,0	150,0							
	17	12437	3,3	87,32	140,0	150,0	140,0	150,0							
	19	11311	3,8	79,41	140,0	150,0	140,0	150,0							
	20	10290	4,0	72,25	140,0	150,0	140,0	150,0							
	24	8698	4,8	61,07	140,0	150,0	140,0	149,9							

Parallel shaft
gear units



P ₁ [kW]	n ₂ [min ⁻¹]	M ₂ [Nm]	f _B	i _{ges}	F _R [kN]	F _A [kN]	F _{R VL} [kN]	F _{A VL} [kN]	Type	kg	mm 				
22,0	8,4	24930	1,0	175,05	39,8	79,2	111,0	130,0	SK 9382 - 180 LP/4	827	D77				
	10	20600	1,2	144,69	41,3	79,2	107,8	130,0							
	11	19320	1,3	135,90	43,3	81,6	107,9	130,0							
	13	16450	1,5	115,57	44,7	81,6	105,3	130,0							
	15	14340	1,8	100,89	45,1	80,8	102,9	130,0							
	18	11850	2,0	83,19	44,8	77,5	98,7	128,1							
	20	10280	2,3	72,19	44,5	76,1	96,1	125,1							
	23	9277	2,6	65,25	44,2	74,5	94,0	122,7							
	27	7899	3,0	55,49	43,6	72,3	90,8	118,8							
	31	6886	3,5	48,44	42,9	70,1	88,1	115,6							
	35	5973	4,0	41,93	42,0	67,3	85,2	112,0							
		14	14690	0,8	103,21	19,3	39,7	75,6				105,0	SK 8382 - 180 LP/4	525	D75
		16	12930	0,9	90,94	21,6	41,8	75,5				105,0			
		19	10780	1,1	75,69	24,2	44,0	74,8				105,0			
		23	9280	1,2	65,22	25,7	44,8	73,8				105,0			
	26	8164	1,5	57,43	26,4	45,3	72,6	104,5							
	31	6807	1,8	47,80	27,2	45,0	70,8	101,7							
	34	6198	1,7	43,59	27,8	45,3	70,1	100,7							
	41	5103	2,4	35,88	27,5	43,8	67,4	96,9							
	48	4392	2,8	30,92	27,3	42,7	65,6	94,3							
	52	4038	2,5	28,33	27,4	42,4	64,6	92,8	SK 8282 - 180 LP/4	521	D74				
	60	3490	3,0	24,50	27,0	41,1	62,6	89,9							
	25	8478	0,8	59,52	15,3	29,7	58,8	80,0	SK 7382 - 180 LP/4	400	D73				
	28	7609	0,9	53,38	17,1	31,6	58,9	80,0							
	32	6646	1,1	46,66	18,2	32,5	58,3	80,0							
	40	5263	1,3	36,92	19,2	32,6	56,3	80,0							
	48	4342	1,5	30,42	19,6	32,5	54,6	79,4							
	55	3835	1,7	26,88	19,9	32,2	53,5	77,8							
	63	3344	2,0	23,46	19,9	31,9	52,2	75,9							
	43	4941	1,2	34,64	20,2	33,9	56,5	80,0	SK 7282 - 180 LP/4	393	D72				
	55	3830	1,5	26,89	20,5	33,2	54,0	78,5							
	64	3261	1,8	22,87	20,4	32,5	52,5	76,2							
	74	2843	2,0	19,97	20,3	31,7	51,0	74,1							
	91	2317	2,8	16,29	19,6	30,0	48,5	70,8							
	35	6041	0,8	42,46	13,3	24,8	44,5	60,0	SK 6382 - 180 LP/4	327	D71				
	41	5166	0,9	36,34	14,6	26,1	44,1	60,0							
	48	4401	1,0	30,91	15,6	26,6	43,5	60,0							
	51	4082	1,1	28,72	15,9	26,9	43,1	60,0							
	60	3478	1,3	24,42	16,4	26,9	42,3	60,0							
	49	4257	1,1	29,90	16,5	28,0	44,1	60,0	SK 6282 - 180 LP/4	330	D70				
	57	3706	1,2	26,05	16,9	28,0	43,2	60,0							
	64	3262	1,4	22,95	17,1	27,7	42,4	60,0							
	79	2661	1,7	18,70	16,9	26,9	40,8	58,3							
	100	2108	2,1	14,83	16,6	25,6	38,9	55,7							
	120	1758	2,5	12,35	16,4	24,8	37,4	53,8							
	139	1513	2,9	10,64	16,1	23,9	36,2	52,1							
	157	1335	2,1	9,39	15,4	22,6	34,8	50,1							
	189	1113	2,4	7,82	15,0	21,6	33,4	48,1							
	59	3555	0,8	25,00	7,8	15,6	26,6	40,0				SK 5282 - 180 LP/4	246	D68	
	72	2899	1,1	20,36	8,4	15,9	25,9	40,0							
	78	2687	1,0	18,88	9,0	16,7	26,0	40,0							
	84	2509	1,1	17,59	8,8	16,4	25,5	40,0							
	96	2191	1,2	15,38	9,1	16,5	25,2	40,0							
	113	1852	1,4	13,00	9,2	16,2	24,4	40,0							
	138	1528	1,6	10,71	9,4	16,1	23,6	39,3							
	156	1349	1,7	9,46	9,4	15,9	23,1	38,5							
	170	1238	1,9	8,70	9,1	15,2	22,5	37,5							

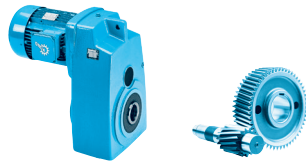
Parallel shaft
gear units


22,0 kW
30,0 kW



P ₁ [kW]	n ₂ [min ⁻¹]	M ₂ [Nm]	f _B	i _{ges}	F _R [kN]	F _A [kN]	F _{R VL} [kN]	F _{A VL} [kN]	Type	kg	mm 			
22,0	206	1021	2,1	7,17	9,0	14,8	21,7	36,2	SK 5282 - 180 LP/4	246	D68			
	233	902	2,3	6,33	8,9	14,5	21,1	35,2						
	259	810	2,2	5,71	8,8	14,2	20,6	34,5						
	280	751	2,3	5,29	8,7	13,9	20,3	33,9						
	294	715	2,4	5,01	8,7	13,8	20,0	33,5						
	342	615	2,5	4,32	8,5	13,2	19,4	32,4						
	97	2164	0,8	15,20	3,0	4,8	15,3	23,1				SK 4282 - 180 LP/4	210	D66
	116	1804	1,0	12,68	3,6	5,6	15,1	23,1						
	136	1543	1,1	10,85	4,2	6,5	15,0	23,4						
	160	1314	1,2	9,23	4,7	7,2	14,9	23,4						
	177	1187	1,1	8,33	4,5	6,8	14,4	22,7						
	207	1015	1,2	7,13	4,8	7,2	14,2	22,6						
	243	865	1,4	6,06	4,9	7,5	13,9	22,3						
	271	775	1,3	5,43	5,0	7,6	13,7	22,0						
295	712	1,5	5,00	5,1	7,7	13,5	21,8							
313	671	1,5	4,70	5,1	7,7	13,4	21,6							
30,0	8,9	32250	2,2	167,17	160,0	170,0	160,0	170,0	SK 11382.1 - 225 RP/4	1920	D80-81			
	10	27344	2,6	141,74	160,0	170,0	160,0	170,0						
	11	25084	2,8	130,02	160,0	170,0	160,0	170,0						
	13	21569	3,2	111,80	160,0	170,0	160,0	168,0						
	15	19635	3,5	101,78	160,0	170,0	160,0	163,8						
	17	16884	4,6	87,52	160,0	170,0	160,0	158,4						
	19	15423	4,6	79,95	160,0	170,0	160,0	153,8						
	21	13964	4,6	72,38	160,0	170,0	160,0	152,3						
	11	26090	1,8	135,24	140,0	150,0	140,0	150,0	SK 10382.1 - 225 RP/4	1320	D78-79			
	12	23737	1,8	123,04	140,0	150,0	140,0	150,0						
	13	21587	2,1	111,90	140,0	150,0	140,0	150,0						
	15	18515	2,4	95,98	140,0	150,0	140,0	150,0						
	17	16845	2,4	87,32	140,0	150,0	140,0	150,0						
	19	15320	2,8	79,41	140,0	150,0	140,0	150,0						
	21	13938	2,9	72,25	140,0	150,0	140,0	150,0						
	24	11782	3,5	61,07	140,0	150,0	140,0	146,1						
	27	10719	4,1	55,56	140,0	150,0	140,0	141,7						
	31	9140	4,2	47,38	140,0	150,0	140,0	137,4						
	33	8623	4,4	44,70	140,0	150,0	140,0	134,5						
	11	26170	1,0	135,90	29,5	60,2	98,8	123,8				SK 9382 - 225 RP/4	987	D77
	13	22280	1,1	115,57	32,9	63,4	97,5	123,5						
15	19430	1,3	100,89	35,1	65,3	96,3	122,5							
18	16050	1,5	83,19	36,2	64,6	93,3	119,2							
21	13920	1,7	72,19	37,2	64,6	91,2	117,3							
23	12570	1,9	65,25	37,9	64,6	89,7	115,8							
27	10700	2,2	55,49	38,3	63,6	87,1	113,0							
31	9327	2,6	48,44	38,1	62,7	85,1	110,4							
35	8091	3,0	41,93	37,9	61,0	82,5	107,6							
42	6847	3,5	35,61	37,4	59,1	79,6	104,2							
43	6629	2,5	34,38	30,6	45,8	67,9	88,6	SK 9282 - 225 RP/4	982	D76				
48	5940	3,0	30,79	30,4	44,8	66,2	86,6							
55	5180	3,3	26,89	30,0	43,5	64,3	84,3							
20	14600	0,8	75,69	13,2	28,7	65,9	95,5	SK 8382 - 225 RP/4	685	D75				
23	12570	0,9	65,22	16,3	31,8	66,2	95,7							
26	11060	1,1	57,43	18,4	33,5	66,1	95,4							
31	9220	1,3	47,80	20,5	35,5	65,4	94,3							
34	8395	1,3	43,59	21,9	37,0	65,4	94,0							
41	6912	1,7	35,88	22,6	36,6	63,5	91,2							
48	5949	2,0	30,92	23,1	36,6	62,1	89,3							
52	5469	1,8	28,33	23,7	37,0	61,5	88,5				SK 8282 - 225 RP/4	681	D74	
61	4728	2,2	24,50	23,8	36,5	60,0	86,2							
70	4079	2,6	21,13	23,7	35,7	58,3	83,9							
85	3358	2,9	17,40	23,2	34,1	55,9	80,3							
98	2930	3,2	15,18	22,9	33,2	54,3	78,1							

Parallel shaft gear units



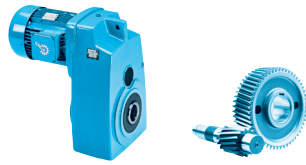
P ₁ [kW]	n ₂ [min ⁻¹]	M ₂ [Nm]	f _B	i _{ges}	F _R [kN]	F _A [kN]	F _{R VL} [kN]	F _{A VL} [kN]	Type	kg	mm 			
30,0	32	9002	0,8	46,66	10,8	21,9	52,2	76,2	SK 7382 - 225 RP/4	560	D73			
	40	7129	0,9	36,92	13,2	24,0	51,5	75,0						
	49	5881	1,1	30,42	14,9	25,5	50,9	73,8						
	55	5194	1,3	26,88	15,7	26,0	50,1	72,9						
	63	4530	1,5	23,46	16,3	26,4	49,2	71,6						
	55	5187	1,1	26,89	16,6	27,4	50,9	73,9	SK 7282 - 225 RP/4	553	D72			
	65	4417	1,3	22,87	17,1	27,6	49,7	72,2						
	74	3850	1,5	19,97	17,4	27,4	48,6	70,8						
	91	3139	2,1	16,29	17,2	26,6	46,6	67,8						
	115	2486	2,4	12,89	17,0	25,5	44,4	64,6						
	133	2156	2,9	11,16	16,8	24,7	43,0	62,7						
	150	1912	2,2	9,92	16,1	23,5	41,6	60,6						
	157	1825	3,4	9,48	16,5	24,0	41,6	60,5						
	172	1667	2,5	8,66	15,9	22,9	40,4	58,8						
	198	1446	3,1	7,49	15,6	22,1	39,0	56,9						
	65	4419	1,0	22,95	13,3	22,2	39,3	56,2	SK 6282 - 225 RP/4	490	D70			
	79	3604	1,2	18,70	13,7	22,0	38,1	54,5						
	100	2855	1,6	14,83	14,1	21,8	36,8	52,7						
	120	2381	1,8	12,35	14,3	21,6	35,7	51,2						
140	2049	2,1	10,64	14,3	21,3	34,8	49,8							
158	1808	1,5	9,39	13,7	20,0	33,4	48,0							
190	1507	1,8	7,82	13,6	19,5	32,3	46,4							
221	1297	2,3	6,74	13,4	19,0	31,3	45,0	SK 6282 - 225 RP/4	490	D70				
248	1156	2,1	5,99	13,2	18,5	30,5	43,8							
257	1114	2,1	5,78	13,2	18,3	30,3	43,5							
271	1059	2,2	5,50	13,1	18,1	30,0	43,0							
303	945	2,3	4,88	12,8	17,6	29,1	41,9							
339	845	2,4	4,39	12,6	17,1	28,4	40,9							
37,0	8,9	39775	1,8	167,17	160,0	170,0	160,0	170,0	SK 11382.1 - 225 SP/4	1930	D80-81			
	10	33724	2,1	141,74	160,0	170,0	160,0	170,0						
	11	30936	2,3	130,02	160,0	170,0	160,0	168,1						
	13	26602	2,6	111,80	160,0	170,0	160,0	163,4						
	15	24217	2,8	101,78	160,0	170,0	160,0	159,5						
	17	20824	3,7	87,52	160,0	170,0	160,0	154,6						
	19	19022	3,7	79,95	160,0	170,0	160,0	150,1						
	21	17222	3,7	72,38	160,0	170,0	160,0	149,0						
	23	15611	4,3	65,61	160,0	170,0	160,0	145,1						
	11	32177	1,4	135,24	134,6	150,0	134,6	150,0				SK 10382.1 - 225 SP/4	1330	D78-79
	12	29275	1,4	123,04	138,8	150,0	138,8	150,0						
	13	26624	1,7	111,90	140,0	150,0	140,0	150,0						
	15	22836	1,9	95,98	140,0	150,0	140,0	150,0						
	17	20776	2,0	87,32	140,0	150,0	140,0	150,0						
	19	18894	2,3	79,41	140,0	150,0	140,0	150,0						
	21	17190	2,4	72,25	140,0	150,0	140,0	146,4						
	24	14531	2,8	61,07	140,0	150,0	140,0	143,0						
	27	13220	3,3	55,56	140,0	150,0	140,0	138,6						
	31	11273	3,4	47,38	140,0	150,0	140,0	135,0						
	33	10635	3,6	44,70	140,0	150,0	140,0	132,0						
	37	9672	4,1	40,65	140,0	150,0	140,0	130,2						
	40	8800	4,5	36,98	140,0	150,0	140,0	126,3						
	11	32280	0,8	135,90	17,1	43,0	90,3	111,6	SK 9382 - 225 SP/4	1000	D77			
	13	27480	0,9	115,57	22,7	48,6	90,5	112,9						
	15	23960	1,1	100,89	26,3	52,2	90,0	113,2						
	18	19790	1,2	83,19	28,9	53,3	87,9	111,2						
	21	17170	1,4	72,19	30,8	54,9	86,7	110,4						
23	15500	1,6	65,25	32,0	55,5	85,6	109,5							
27	13200	1,8	55,49	33,4	56,1	83,7	107,6							
31	11500	2,1	48,44	34,1	56,1	81,8	105,7							
35	9979	2,4	41,93	34,3	55,5	79,9	103,3							
42	8444	2,8	35,61	34,3	54,4	77,3	100,7							


37,0 kW
45,0 kW



P ₁ [kW]	n ₂ [min ⁻¹]	M ₂ [Nm]	f _B	i _{ges}	F _R [kN]	F _A [kN]	F _{R VL} [kN]	F _{A VL} [kN]	Type	kg	mm 				
37,0	43	8176	2,0	34,38	27,8	41,6	65,8	85,2	SK 9282 - 225 SP/4	997	D76				
	48	7326	2,4	30,79	27,8	41,0	64,3	83,9							
	55	6388	2,7	26,89	27,7	40,2	62,6	81,6							
	64	5513	3,0	23,15	27,4	39,3	60,7	79,3							
		26	13640	0,9	57,43	11,3	23,9	60,2	87,3	SK 8382 - 225 SP/4	700	D75			
		31	11370	1,1	47,80	14,8	27,3	60,6	87,5						
		34	10350	1,0	43,59	16,9	29,6	61,2	87,9						
		41	8524	1,4	35,88	18,4	30,5	59,7	86,1						
		48	7337	1,6	30,92	19,5	31,5	59,0	84,8						
		52	6745	1,5	28,33	20,5	32,4	58,7	84,4	SK 8282 - 225 SP/4	696	D74			
		61	5831	1,8	24,50	21,1	32,4	57,7	82,7						
		70	5030	2,1	21,13	21,4	32,1	56,2	81,0						
	85	4142	2,3	17,40	21,2	31,1	54,1	77,8							
	98	3613	2,6	15,18	21,1	30,6	52,7	75,7							
	114	3090	3,3	12,96	20,9	29,7	51,1	73,3							
	136	2588	4,0	10,86	20,5	28,7	49,1	70,6							
	154	2301	2,8	9,67	19,8	27,3	47,4	68,2							
	40	8792	0,8	36,92	8,0	17,0	47,1	68,9	SK 7382 - 225 SP/4	575	D73				
	49	7254	0,9	30,42	10,6	19,6	47,2	68,8							
	55	6406	1,0	26,88	12,0	20,8	47,0	68,4							
	63	5586	1,2	23,46	13,1	21,9	46,5	67,7							
	55	6398	0,9	26,89	13,2	22,4	47,9	69,6	SK 7282 - 225 SP/4	568	D72				
	65	5448	1,1	22,87	14,3	23,3	47,2	68,6							
	74	4749	1,2	19,97	14,9	23,7	46,5	67,4							
	91	3871	1,7	16,29	15,1	23,3	44,8	65,2							
	115	3066	1,9	12,89	15,2	22,8	42,9	62,3							
	133	2659	2,3	11,16	15,3	22,6	41,8	60,8	SK 7282 - 225 SP/4	568	D72				
	150	2358	1,8	9,92	14,8	21,5	40,3	58,7							
	157	2251	2,8	9,48	15,3	22,1	40,4	58,8							
	172	2056	2,1	8,66	14,7	21,0	39,2	57,2							
	198	1783	2,5	7,49	14,6	20,6	38,0	55,5							
	234	1509	2,9	6,36	14,3	19,8	36,7	53,5							
	280	1261	3,2	5,30	14,0	19,0	35,2	51,3							
	65	5450	0,8	22,95	9,9	17,4	36,5	52,2				SK 6282 - 225 SP/4	505	D70	
	79	4445	1,0	18,70	10,9	18,1	35,8	51,2							
	100	3521	1,3	14,83	11,9	18,6	34,8	49,8							
	120	2936	1,5	12,35	12,5	18,9	34,1	48,8							
	140	2527	1,7	10,64	12,8	18,9	33,4	47,8							
	158	2230	1,2	9,39	12,2	17,9	32,1	46,2							
	190	1859	1,4	7,82	12,3	17,6	31,2	44,8							
	221	1600	1,9	6,74	12,3	17,4	30,3	43,6							
	248	1426	1,7	5,99	12,3	17,1	29,6	42,6							
	257	1374	1,7	5,78	12,3	17,0	29,4	42,3							
	271	1306	1,8	5,50	12,2	16,9	29,1	41,9							
	303	1165	1,9	4,88	12,1	16,5	28,4	40,9							
	339	1042	2,0	4,39	11,9	16,1	27,7	39,9							
45,0	8,9	48376	1,5	167,17	160,0	170,0	160,0	167,6	SK 11382.1 - 225 MP/4	1960	D80-81				
	10	41015	1,7	141,74	160,0	170,0	160,0	164,1							
	11	37625	1,9	130,02	160,0	170,0	160,0	162,0							
	13	32353	2,1	111,80	160,0	170,0	160,0	158,1							
	15	29453	2,3	101,78	160,0	170,0	160,0	154,5							
	17	25326	3,0	87,52	160,0	170,0	160,0	150,3							
	19	23134	3,0	79,95	160,0	170,0	160,0	145,8							
	21	20946	3,1	72,38	160,0	170,0	160,0	145,6							
	23	18986	3,5	65,61	160,0	170,0	160,0	141,9							
	26	16326	4,6	56,42	160,0	170,0	160,0	137,4							
	29	14913	4,6	51,54	160,0	170,0	160,0	133,4							
		15	27773	1,6	95,98	140,0	150,0	140,0				150,0	SK 10382.1 - 225 MP/4	1360	D78-79
		17	25268	1,6	87,32	140,0	150,0	140,0				146,2			
		19	22980	1,9	79,41	140,0	150,0	140,0				146,5			
		21	20907	1,9	72,25	140,0	150,0	140,0				141,8			
		24	17672	2,3	61,07	140,0	150,0	140,0				139,4			
		27	16078	2,7	55,56	140,0	150,0	140,0	135,1						

Parallel shaft gear units



P ₁ [kW]	n ₂ [min ⁻¹]	M ₂ [Nm]	f _B	i _{ges}	F _R [kN]	F _A [kN]	F _{R VL} [kN]	F _{A VL} [kN]	Type	kg	mm 			
45,0	31	13710	2,8	47,38	140,0	150,0	140,0	132,2	SK 10382.1 - 225 MP/4	1360	D78-79			
	33	12935	3,0	44,70	140,0	150,0	140,0	129,2						
	37	11763	3,4	40,65	140,0	150,0	140,0	127,8						
	40	10702	3,7	36,98	140,0	150,0	140,0	123,9						
	48	9047	4,3	31,26	140,0	150,0	140,0	120,2						
	13	33430	0,8	115,57	10,2	31,8	82,5	100,7	SK 9382 - 225 MP/4	1040	D77			
	15	29140	0,9	100,89	15,7	37,3	83,1	102,8						
	18	24070	1,0	83,19	19,8	40,9	82,0	102,2						
	21	20880	1,1	72,19	23,3	44,0	81,6	102,8						
	27	16050	1,5	55,49	27,6	47,6	79,9	101,9						
	31	13990	1,7	48,44	29,1	48,6	78,6	100,7						
	35	12140	2,0	41,93	30,1	49,1	77,1	98,8						
	42	10270	2,3	35,61	30,9	49,1	74,9	96,8						
	43	9944	1,6	34,38	24,6	37,0	63,5	81,8	SK 9282 - 225 MP/4	1030	D76			
	48	8910	2,0	30,79	24,9	37,0	62,4	80,6						
	55	7770	2,2	26,89	25,1	36,6	60,8	78,9						
	64	6705	2,4	23,15	25,2	36,2	59,1	76,9						
	74	5814	2,7	20,13	24,7	34,8	57,1	74,4						
	86	5018	3,1	17,33	24,5	33,8	55,4	72,3						
	31	13830	0,9	47,80	7,8	18,4	54,9	79,8	SK 8382 - 225 MP/4	735	D75			
	34	12590	0,8	43,59	10,8	21,6	56,2	81,2						
	41	10370	1,2	35,88	13,2	23,6	55,7	80,3						
	48	8923	1,4	30,92	15,2	25,4	55,4	79,8						
	61	7092	1,5	24,50	17,9	27,9	55,0	78,9	SK 8282 - 225 MP/4	731	D74			
	70	6118	1,7	21,13	18,6	28,4	53,9	77,6						
	85	5037	1,9	17,40	18,9	27,9	52,1	75,0						
	98	4394	2,2	15,18	19,1	27,9	51,0	73,3						
	114	3758	2,7	12,96	19,2	27,3	49,6	71,2						
	136	3148	3,3	10,86	19,1	26,7	47,9	68,9						
	154	2798	2,3	9,67	18,4	25,4	46,3	66,6						
	180	2393	3,0	8,26	18,2	24,7	44,8	64,5						
	49	8822	0,8	30,42	5,1	14,3	40,6	61,7				SK 7382 - 225 MP/4	610	D73
	55	7791	0,8	26,88	7,6	15,0	43,5	63,3						
	63	6794	1,0	23,46	9,3	16,8	43,4	63,2						
	65	6626	0,9	22,87	10,8	18,6	44,4	64,6	SK 7282 - 225 MP/4	603	D72			
	74	5776	1,0	19,97	12,0	19,6	44,0	64,0						
	91	4708	1,4	16,29	12,6	20,0	42,7	62,0						
	115	3729	1,6	12,89	13,3	20,0	41,2	59,9						
	133	3234	1,9	11,16	13,7	20,2	40,3	58,6						
	150	2868	1,5	9,92	13,1	19,2	38,9	56,6						
	157	2737	2,3	9,48	13,8	20,0	39,3	57,0						
	172	2500	1,7	8,66	13,3	19,0	38,0	55,5						
	198	2169	2,1	7,49	13,4	18,8	37,0	53,9						
	234	1836	2,4	6,36	13,3	18,4	35,8	52,2						
	249	1724	2,5	5,98	13,3	18,2	35,4	51,5						
	280	1534	2,6	5,30	13,1	17,9	34,5	50,2						
	295	1457	2,7	5,04	13,1	17,7	34,1	49,7						
	348	1234	2,9	4,26	12,8	17,0	32,8	47,8						
	120	3571	1,2	12,35	10,2	15,9	32,4	46,2				SK 6282 - 225 MP/4	540	D70
	140	3073	1,4	10,64	10,8	16,3	31,8	45,7						
	190	2261	1,2	7,82	10,9	15,6	29,9	43,0						
	221	1946	1,5	6,74	11,0	15,6	29,3	42,1						
	248	1734	1,4	5,99	11,1	15,5	28,7	41,3						
	257	1671	1,4	5,78	11,2	15,5	28,6	40,9						
	271	1588	1,4	5,50	11,2	15,4	28,3	40,6						
	303	1417	1,5	4,88	11,2	15,2	27,7	39,7						
	339	1268	1,6	4,39	11,1	14,9	27,1	38,9						

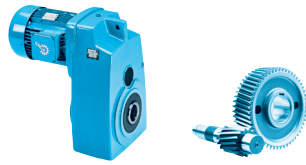
Parallel shaft
gear units


55,0 kW



Parallel shaft gear units

P ₁ [kW]	n ₂ [min ⁻¹]	M ₂ [Nm]	f _B	i _{ges}	F _R [kN]	F _A [kN]	F _{R VL} [kN]	F _{A VL} [kN]	Type	kg	mm 				
55,0	8,9	59325	1,2	167,17	155,7	170,0	155,7	157,7	SK 11382.1 - 250 WP/4	2000	D80-81				
	10	50299	1,4	141,74	160,0	170,0	160,0	155,8							
	11	46142	1,5	130,02	160,0	170,0	160,0	154,4							
	13	39676	1,7	111,80	160,0	170,0	160,0	151,6							
	15	36120	1,9	101,78	160,0	170,0	160,0	148,3							
	17	31059	2,5	87,52	160,0	170,0	160,0	145,0							
	19	28371	2,5	79,95	160,0	170,0	160,0	140,5							
	20	25687	2,5	72,38	160,0	170,0	160,0	141,5							
	23	23284	2,9	65,61	160,0	170,0	160,0	138,0							
	26	20021	3,8	56,42	160,0	170,0	160,0	134,0							
	29	18289	3,8	51,54	160,0	170,0	160,0	130,0							
	33	15861	4,5	44,70	160,0	170,0	160,0	127,6							
	36	14489	4,6	40,83	160,0	170,0	160,0	123,9							
		15	34059	1,3	95,98	131,6	150,0	131,6				144,2	SK 10382.1 - 250 WP/4	1400	D78-79
		17	30987	1,3	87,32	136,4	150,0	136,4				139,3			
		19	28181	1,5	79,41	140,0	150,0	140,0				140,8			
	20	25639	1,6	72,25	140,0	150,0	140,0	136,1							
	24	21673	1,9	61,07	140,0	150,0	140,0	135,1							
	27	19718	2,2	55,56	140,0	150,0	140,0	130,7							
	31	16814	2,3	47,38	140,0	150,0	140,0	128,9							
	33	15863	2,4	44,70	140,0	150,0	140,0	125,7							
	36	14426	2,7	40,65	140,0	150,0	140,0	124,9							
	40	13125	3,0	36,98	140,0	150,0	140,0	121,1							
	47	11094	3,5	31,26	140,0	150,0	140,0	118,0							
	52	10094	4,3	28,44	140,0	150,0	140,0	114,4							
	61	8607	4,5	24,25	140,0	150,0	140,0	111,3							
	67	7831	4,9	22,07	140,0	150,0	140,0	107,9							
	77	6823	4,9	19,23	137,5	150,0	140,0	105,1							
	85	6208	4,9	17,49	133,8	150,0	140,0	102,0							
	96	5450	4,9	15,36	129,7	150,0	140,0	99,3							
	106	4958	4,9	13,97	126,3	150,0	140,0	96,4							
	121	4337	4,9	12,22	122,1	150,0	140,0	93,6							
	18	29520	0,8	83,19	7,3	67,2	28,5	90,9	SK 9382 - 250 WP/4	1070	D77				
	21	25610	0,9	72,19	12,1	69,3	33,9	92,7							
	27	19680	1,2	55,49	18,6	71,3	40,8	93,9							
	31	17160	1,4	48,44	21,0	71,5	43,1	93,7							
	35	14880	1,6	41,93	23,0	71,4	44,7	93,0							
	42	12600	1,9	35,61	24,7	70,7	45,7	91,7							
	43	12190	1,3	34,38	18,9	59,3	33,9	77,2	SK 9282 - 250 WP/4	1070	D76				
	48	10930	1,6	30,79	19,8	58,9	34,5	76,4							
	55	9528	1,8	26,89	20,6	58,2	34,9	75,3							
	64	8223	2,0	23,15	21,3	57,2	35,0	73,8							
	74	7130	2,2	20,13	21,0	55,6	33,7	71,5							
	85	6153	2,5	17,33	21,3	54,4	33,1	69,8							
	101	5214	2,8	14,70	21,4	52,9	32,2	67,8							
	123	4273	3,2	12,01	21,2	51,0	31,0	65,2							
	145	3622	3,0	10,18	20,4	48,9	29,1	62,3							
	171	3069	3,6	8,64	20,0	47,3	28,0	60,2							
	209	2515	4,0	7,06	19,5	45,3	26,6	57,5							
	256	2052	4,3	5,78	18,9	43,2	25,2	54,8							
	276	1901	4,4	5,34	18,6	42,4	24,6	53,8							
	60	8697	1,2	24,50	12,6	51,2	23,9	76,9				SK 8282 - 250 WP/4	766	D74	
	70	7503	1,4	21,13	14,0	51,0	25,1	76,1							
	85	6177	1,6	17,40	15,0	49,8	25,5	74,0							
	97	5389	1,8	15,18	15,7	49,1	25,9	72,8							
	114	4609	2,2	12,96	16,2	48,2	26,0	71,1							
	136	3861	2,7	10,86	16,6	46,9	25,7	69,0							
	153	3431	1,9	9,67	16,1	45,4	24,3	66,8							
	179	2934	2,5	8,26	16,2	44,2	23,8	64,9							
	214	2458	2,8	6,92	16,1	42,8	23,1	62,6							
	328	1603	3,0	4,52	15,5	39,1	20,9	57,0							



P ₁ [kW]	n ₂ [min ⁻¹]	M ₂ [Nm]	f _B	i _{ges}	F _R [kN]	F _A [kN]	F _{R VL} [kN]	F _{A VL} [kN]	Type	kg	mm 
75,0	8,9	80626	0,9	167,17	73,9	170,0	73,9	138,0	SK 11382.1 - 280 SP/4	2170	D80-81
	10	68359	1,0	141,74	130,3	170,0	130,3	139,0			
	11	62709	1,1	130,02	147,1	170,0	147,1	139,0			
	13	53922	1,3	111,80	160,0	170,0	160,0	138,4			
	15	49088	1,4	101,78	160,0	170,0	160,0	135,7			
	17	42210	1,8	87,52	160,0	170,0	160,0	134,2			
	19	38557	1,8	79,95	160,0	170,0	160,0	129,8			
	21	34910	1,8	72,38	160,0	170,0	160,0	132,8			
	23	31644	2,1	65,61	160,0	170,0	160,0	129,9			
	26	27210	2,8	56,42	160,0	170,0	160,0	127,0			
	29	24855	2,8	51,54	160,0	170,0	160,0	123,1			
	33	21556	3,3	44,70	160,0	170,0	160,0	122,1			
	36	19691	3,4	40,83	160,0	170,0	160,0	118,4			
	42	17078	3,9	35,41	160,0	170,0	160,0	116,7			
	46	15600	4,0	32,35	160,0	170,0	160,0	113,3			
	52	13775	4,5	28,56	160,0	170,0	160,0	111,6			
58	12358	4,7	25,62	155,5	170,0	160,0	107,9				
	15	46288	1,0	95,98	104,9	150,0	104,9	130,2	SK 10382.1 - 280 SP/4	1570	D78-79
	17	42113	1,0	87,32	115,6	150,0	115,6	125,3			
	19	38299	1,1	79,41	123,9	150,0	123,9	129,1			
	21	34845	1,2	72,25	130,3	150,0	130,3	124,5			
	24	29454	1,4	61,07	138,5	150,0	138,5	126,1			
	27	26797	1,6	55,56	140,0	150,0	140,0	121,8			
	31	22851	1,7	47,38	140,0	150,0	140,0	121,9			
	33	21558	1,8	44,70	140,0	150,0	140,0	118,5			
	37	19606	2,0	40,65	140,0	150,0	140,0	118,9			
	40	17837	2,2	36,98	140,0	150,0	140,0	115,1			
	48	15078	2,6	31,26	140,0	150,0	140,0	113,4			
	52	13718	3,1	28,44	140,0	150,0	140,0	109,8			
	61	11697	3,3	24,25	140,0	150,0	140,0	107,6			
	67	10642	3,6	22,07	137,9	150,0	140,0	104,3			
	77	9273	3,6	19,23	134,1	150,0	140,0	102,2			
	85	8437	3,6	17,49	130,6	150,0	140,0	99,1			
	97	7407	3,6	15,36	127,0	150,0	140,0	97,0			
	106	6739	3,6	13,97	123,7	150,0	140,0	94,1			
	122	5894	3,6	12,22	119,9	150,0	140,0	91,7			
	27	26750	0,9	55,49	5,0	18,0	65,0	79,2	SK 9382 - 280 SP/4	1240	D77
	31	23320	1,0	48,44	9,7	22,7	65,8	80,9			
	35	20230	1,2	41,93	13,7	26,7	65,9	81,9			
	42	17120	1,4	35,61	17,1	29,9	65,6	82,3			
	43	16570	1,0	34,38	11,6	20,1	55,0	68,6	SK 9282 - 280 SP/4	1240	D76
	48	14850	1,2	30,79	13,5	21,8	54,7	68,6			
	55	12950	1,3	26,89	15,3	23,4	54,2	68,6			
	64	11180	1,5	23,15	16,8	24,6	53,4	67,9			
	74	9690	1,6	20,13	17,1	24,4	51,9	66,2			
	86	8363	1,9	17,33	18,0	25,1	50,8	65,2			
	101	7087	2,1	14,70	18,6	25,4	49,5	63,9			
	123	5807	2,4	12,01	19,0	25,2	47,8	62,0			
	145	4923	2,2	10,18	18,4	23,9	45,7	59,4			
	172	4171	2,7	8,64	18,4	23,6	44,4	57,7			
	210	3418	3,0	7,06	18,1	22,8	42,4	55,5			
	257	2788	3,2	5,78	17,8	22,0	40,5	53,2			
	277	2584	3,2	5,34	17,6	21,6	39,8	52,3			
	61	11820	0,9	24,50	5,0	11,6	44,5	64,8			
	70	10200	1,0	21,13	7,7	14,2	45,0	65,2			
	85	8395	1,2	17,40	9,8	16,1	44,7	64,5			
	98	7324	1,3	15,18	11,3	17,4	44,5	64,2			
	114	6263	1,6	12,96	12,7	18,5	44,2	63,5			
	136	5247	2,0	10,86	13,7	19,3	43,3	62,4			
	154	4663	1,4	9,67	13,2	18,5	42,0	60,4			
	180	3988	1,8	8,26	13,9	18,7	41,2	59,2			
	214	3341	2,0	6,92	14,2	18,9	40,0	57,6			
	329	2179	2,2	4,52	14,3	18,1	37,0	53,1			

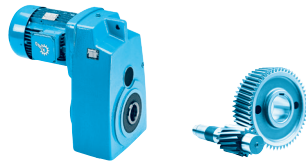
**Parallel shaft
gear units**


90,0 kW



P ₁ [kW]	n ₂ [min ⁻¹]	M ₂ [Nm]	f _B	i _{ges}	F _R [kN]	F _A [kN]	F _{R VL} [kN]	F _{A VL} [kN]	Type	kg	mm
90,0	10	82031	0,9	141,74	63,4	170,0	63,4	126,5	SK 11382.1 - 280 MP/4	2270	D80-81
	11	75251	0,9	130,02	103,7	170,0	103,7	127,5			
	13	64706	1,1	111,80	141,6	170,0	141,6	128,5			
	15	58906	1,2	101,78	156,7	170,0	156,7	126,4			
	17	50652	1,5	87,52	160,0	170,0	160,0	126,2			
	19	46269	1,5	79,95	160,0	170,0	160,0	121,8			
	21	41892	1,5	72,38	160,0	170,0	160,0	126,4			
	23	37972	1,8	65,61	160,0	170,0	160,0	123,8			
	26	32652	2,3	56,42	160,0	170,0	160,0	121,8			
	29	29826	2,3	51,54	160,0	170,0	160,0	117,9			
	33	25867	2,7	44,70	160,0	170,0	160,0	118,0			
	36	23629	2,8	40,83	160,0	170,0	160,0	114,3			
	42	20493	3,2	35,41	160,0	170,0	160,0	113,5			
	46	18720	3,3	32,35	159,8	170,0	160,0	110,0			
	52	16530	3,7	28,56	156,6	170,0	160,0	108,9			
	58	14830	3,9	25,62	152,4	170,0	160,0	105,3			
67	12917	4,5	22,32	148,5	170,0	160,0	103,5				
73	11799	4,6	20,39	144,9	170,0	160,0	100,5				
	17	50536	0,8	87,32	91,4	150,0	91,4	114,8	SK 10382.1 - 280 MP/4	1670	D78-79
	19	45959	0,9	79,41	105,8	150,0	105,8	120,5			
	21	41814	1,0	72,25	116,3	150,0	116,3	115,8			
	24	35345	1,2	61,07	129,4	150,0	129,4	119,4			
	27	32157	1,4	55,56	134,6	150,0	134,6	115,1			
	31	27421	1,4	47,38	140,0	150,0	140,0	116,7			
	33	25870	1,5	44,70	140,0	150,0	140,0	113,1			
	37	23527	1,7	40,65	140,0	150,0	140,0	114,5			
	40	21405	1,9	36,98	140,0	150,0	140,0	110,6			
	48	18093	2,2	31,26	140,0	150,0	140,0	109,9			
	52	16461	2,6	28,44	140,0	150,0	140,0	106,4			
	61	14037	2,8	24,25	138,4	150,0	140,0	105,0			
	67	12771	3,0	22,07	135,0	150,0	140,0	101,7			
	77	11128	3,0	19,23	131,7	150,0	140,0	100,1			
	85	10124	3,0	17,49	128,3	150,0	140,0	97,0			
	97	8888	3,0	15,36	125,1	150,0	140,0	95,3			
	106	8086	3,0	13,97	121,8	150,0	140,0	92,4			
	122	7072	3,0	12,22	118,4	150,0	140,0	90,4			
	85	10120	3,1	17,49	109,6	150,0	135,3	82,6	SK 10382.1 - 280 MP/4	1670	D78-79
	97	8888	3,2	15,36	107,1	150,0	135,8	81,5			
	106	8086	3,2	13,97	104,4	150,0	136,2	78,9			
	122	7072	3,2	12,22	101,6	150,0	136,5	77,5			
	134	6434	3,2	11,12	99,0	150,0	136,7	75,1			
	48	17820	1,0	30,79	7,4	14,5	50,7	62,7	SK 9282 - 280 MP/4	1340	D76
	55	15540	1,1	26,89	10,1	17,1	50,9	63,3			
	64	13410	1,2	23,15	12,5	19,3	50,5	63,5			
	74	11630	1,4	20,13	13,1	19,5	49,2	62,2			
	86	10040	1,5	17,33	14,6	20,7	48,6	61,9			
	101	8504	1,7	14,70	15,8	21,6	47,6	61,0			
	123	6969	2,0	12,01	16,8	22,2	46,2	59,5			
	145	5907	1,8	10,18	16,3	21,4	44,4	57,3			
	172	5006	2,2	8,64	16,6	21,4	43,1	55,9			
	210	4102	2,5	7,06	16,8	21,0	41,4	54,0			
	257	3346	2,6	5,78	16,7	20,5	39,7	51,9			
	277	3100	2,7	5,34	16,6	20,2	39,0	51,1			

Parallel shaft gear units



P ₁ [kW]	n ₂ [min ⁻¹]	M ₂ [Nm]	f _B	i _{ges}	F _R [kN]	F _A [kN]	F _{R VL} [kN]	F _{A VL} [kN]	Type	kg	mm 
110	13	78926	0,9	111,80	84,7	170,0	84,7	115,4	SK 11382.1 - 315 SP/4	2360	D80-81
	15	71851	0,9	101,78	117,9	170,0	117,9	113,9			
	17	61783	1,2	87,52	149,6	170,0	149,6	115,4			
	19	56437	1,2	79,95	160,0	170,0	160,0	111,1			
	21	51098	1,3	72,38	160,0	170,0	160,0	117,9			
	23	46317	1,4	65,61	160,0	170,0	160,0	115,8			
	26	39827	1,9	56,42	160,0	170,0	160,0	114,9			
	29	36381	1,9	51,54	160,0	170,0	160,0	111,0			
	33	31552	2,2	44,70	160,0	170,0	160,0	112,4			
	36	28821	2,3	40,83	160,0	170,0	160,0	108,8			
	42	24997	2,6	35,41	157,9	170,0	160,0	109,1			
	46	22833	2,7	32,35	154,5	170,0	160,0	105,7			
	52	20162	3,1	28,56	152,1	170,0	160,0	105,4			
	58	18089	3,2	25,62	148,1	170,0	160,0	101,9			
	67	15756	3,7	22,32	144,9	170,0	160,0	100,7			
	73	14392	3,8	20,39	141,5	170,0	160,0	97,7			
	83	12654	4,2	17,93	138,2	170,0	160,0	96,3			
	91	11559	4,4	16,37	134,9	170,0	160,0	93,5			
	24	43112	1,0	61,07	113,3	150,0	113,3	110,5	SK 10382.1 - 315 SP/4	1760	D78-79
	27	39224	1,1	55,56	122,0	150,0	122,0	106,2			
	31	33447	1,1	47,38	132,6	150,0	132,6	109,8			
	33	31555	1,2	44,70	135,5	150,0	135,5	106,0			
	37	28697	1,4	40,65	139,6	150,0	139,6	108,5			
	40	26109	1,5	36,98	140,0	150,0	140,0	104,7			
	48	22069	1,8	31,26	140,0	150,0	140,0	105,4			
	52	20079	2,1	28,44	136,9	150,0	140,0	101,8			
	61	17122	2,3	24,25	134,3	150,0	140,0	101,4			
	67	15577	2,5	22,07	131,0	150,0	140,0	98,1			
	77	13573	2,5	19,23	128,4	150,0	140,0	97,3			
	85	12349	2,5	17,49	125,2	150,0	140,0	94,2			
	97	10841	2,5	15,36	122,4	150,0	140,0	93,0			
	106	9863	2,5	13,97	119,3	150,0	140,0	90,2			
	122	8627	2,5	12,22	116,3	150,0	140,0	88,6			
	48	21740	0,8	30,79	0,3	2,6	45,3	54,8	SK 9282 - 315 SP/4	1430	D76
	55	18950	0,9	26,89	2,9	8,9	46,2	56,5			
	64	16360	1,0	23,15	6,4	12,1	46,5	57,7			
	74	14180	1,1	20,13	7,6	13,0	45,7	56,7			
	86	12240	1,3	17,33	10,0	15,1	45,5	57,1			
	101	10370	1,4	14,70	12,1	16,9	45,1	57,1			
	124	8500	1,6	12,01	13,7	18,4	44,2	56,5			
	146	7205	1,5	10,18	13,5	17,8	42,5	54,3			
	172	6106	1,8	8,64	14,4	18,4	41,5	53,4			
	210	5003	2,0	7,06	14,9	18,5	40,1	51,9			
	257	4081	2,2	5,78	15,1	18,5	38,7	50,3			
	278	3782	2,2	5,34	15,2	18,4	38,1	49,6			
132	21	61235	1,1	72,38	151,0	170,0	151,0	108,5	SK 11382.1 - 315 MP/4	2560	D80-81
	23	55506	1,2	65,61	158,6	170,0	160,0	106,9			
	26	47728	1,6	56,42	158,1	170,0	160,0	107,3			
	29	43598	1,6	51,54	155,5	170,0	160,0	103,4			
	33	37811	1,9	44,70	155,7	170,0	160,0	106,4			
	36	34539	1,9	40,83	152,8	170,0	160,0	102,8			
	42	29956	2,2	35,41	151,7	170,0	160,0	104,3			
	46	27363	2,3	32,35	148,6	170,0	160,0	100,9			
	52	24162	2,6	28,56	147,1	170,0	160,0	101,5			
	58	21678	2,7	25,62	143,5	170,0	160,0	98,1			
	67	18881	3,1	22,32	141,0	170,0	160,0	97,7			
	73	17247	3,1	20,39	137,8	170,0	160,0	94,7			
83	15165	3,5	17,93	135,1	170,0	160,0	93,9				
91	13853	3,7	16,37	132,0	170,0	160,0	91,0				

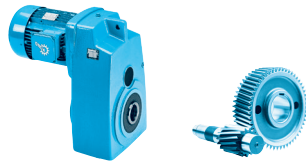
Parallel shaft
gear units


132 kW
160 kW



P ₁ [kW]	n ₂ [min ⁻¹]	M ₂ [Nm]	f _B	i _{ges}	F _R [kN]	F _A [kN]	F _{R VL} [kN]	F _{A VL} [kN]	Type	kg	mm 				
132	33	37815	1,0	44,70	124,8	150,0	124,8	98,1	SK 10382.1 - 315 MP/4	1960	D78-79				
	37	34390	1,2	40,65	131,0	150,0	131,0	102,0							
	40	31288	1,3	36,98	135,0	150,0	135,9	98,2							
	48	26448	1,5	31,26	134,3	150,0	140,0	100,3							
	52	24062	1,8	28,44	131,4	150,0	140,0	96,8							
	61	20518	1,9	24,25	129,7	150,0	140,0	97,5							
	68	18668	2,1	22,07	126,7	150,0	140,0	94,2							
	77	16266	2,1	19,23	124,8	150,0	140,0	94,2							
	85	14799	2,1	17,49	121,8	150,0	140,0	91,1							
	97	12992	2,1	15,36	119,5	150,0	140,0	90,6							
	107	11820	2,1	13,97	116,6	150,0	140,0	87,7							
	122	10338	2,1	12,22	114,0	150,0	140,0	86,6							
	132	55	22710	0,8	26,89	0	0	35,1				48,9	SK 9282 - 315 MP/4	1630	D76
		64	19600	0,8	23,15	1,3	2,7	42,0				51,0			
74		17000	0,9	20,13	1,3	7,2	37,5	50,8							
86		14670	1,1	17,33	4,7	9,2	42,1	52,1							
101		12430	1,2	14,70	7,6	11,9	42,2	52,6							
124		10190	1,4	12,01	10,2	14,2	41,9	52,8							
146		8635	1,2	10,18	10,4	13,9	40,4	51,0							
172		7317	1,5	8,64	11,7	15,1	39,7	50,6							
210		5996	1,7	7,06	12,8	15,9	38,8	49,7							
258		4891	1,8	5,78	13,4	16,4	37,5	48,5							
278		4532	1,8	5,34	13,6	16,4	37,0	47,9							
160		21	74225	0,9	72,38	108,2	170,0	108,2	96,6	SK 11382.1 - 315 RP/4	2590	D80-81			
		23	67280	1,0	65,61	133,8	170,0	133,8	95,7						
		26	57853	1,3	56,42	145,7	170,0	159,2	97,6						
	29	52846	1,3	51,54	143,7	170,0	160,0	93,8							
	33	45832	1,5	44,70	145,8	170,0	160,0	98,8							
	36	41866	1,6	40,83	143,4	170,0	160,0	95,2							
	42	36310	1,8	35,41	143,9	170,0	160,0	98,2							
	46	33168	1,9	32,35	141,2	170,0	160,0	94,9							
	52	29288	2,1	28,56	140,8	170,0	160,0	96,6							
	58	26276	2,2	25,62	137,6	170,0	160,0	93,3							
	67	22886	2,5	22,32	136,0	170,0	160,0	93,9							
	73	20906	2,6	20,39	133,1	170,0	160,0	90,9							
	83	18382	2,9	17,93	131,1	170,0	160,0	90,8							
	91	16791	3,0	16,37	128,2	170,0	160,0	88,0							
160	33	45836	0,8	44,70	106,2	150,0	106,2	88,2	SK 10382.1 - 315 RP/4	1990	D78-79				
	37	41685	1,0	40,65	116,6	150,0	116,6	93,7							
	40	37925	1,1	36,98	124,6	150,0	124,6	90,9							
	48	32058	1,2	31,26	127,0	150,0	134,8	94,0							
	52	29166	1,5	28,44	124,4	150,0	138,9	90,5							
	61	24871	1,6	24,25	124,0	150,0	140,0	92,6							
	68	22627	1,7	22,07	121,3	150,0	140,0	89,3							
	77	19716	1,7	19,23	120,2	150,0	140,0	90,3							
	85	17938	1,7	17,49	117,5	150,0	140,0	87,2							
	97	15748	1,7	15,36	115,9	150,0	140,0	87,4							
	107	14327	1,7	13,97	113,2	150,0	140,0	84,6							
	122	12531	1,7	12,22	111,1	150,0	140,0	84,1							
	160	74	20600	0,8	20,13	0	0	31,0				43,4	SK 9282 - 315 RP/4	1660	D76
		86	17780	0,9	17,33	0,3	1,6	37,7				45,6			
101		15070	1,0	14,70	1,9	5,6	38,5	47,1							
124		12350	1,1	12,01	5,7	9,1	38,9	48,2							
146		10470	1,0	10,18	6,3	9,3	37,7	47,0							
172		8869	1,3	8,64	8,3	11,2	37,4	47,1							
210		7268	1,4	7,06	10,1	12,7	36,9	46,8							
258		5928	1,5	5,78	11,3	13,7	36,0	46,1							
278		5493	1,5	5,34	11,6	13,9	35,6	45,7							

Parallel shaft
gear units



P_1 [kW]	n_2 [min ⁻¹]	M_2 [Nm]	f_B	i_{ges}	F_R [kN]	F_A	$F_{R VL}$ [kN]	$F_{A VL}$	Type	kg	mm 
200	26	72413	1,0	56,42	115,7	170,0	115,7	83,8	SK 11382.1 - 315 LP/4	2790	D80-81
	29	66146	1,0	51,54	126,8	170,0	137,3	80,1			
	33	57367	1,2	44,70	131,7	170,0	160,0	87,8			
	36	52403	1,3	40,83	130,1	170,0	160,0	84,3			
	42	45448	1,5	35,41	132,7	170,0	160,0	89,6			
	46	41515	1,5	32,35	130,7	170,0	160,0	86,3			
	52	36659	1,7	28,56	131,8	170,0	160,0	89,7			
	58	32889	1,8	25,62	129,3	170,0	160,0	86,5			
	67	28646	2,0	22,32	129,0	170,0	160,0	88,4			
	73	26167	2,1	20,39	126,5	170,0	160,0	85,5			
	83	23008	2,3	17,93	125,5	170,0	160,0	86,4			
	91	21017	2,4	16,37	122,9	170,0	160,0	83,7			

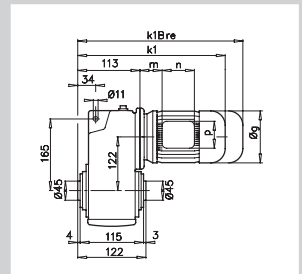
Parallel Shaft Gear Units



SK 1282/02



	i_{ges}	n_2 $n_1 =$ 1750 min^{-1}	M_{2max} $f_g = 1$	P_{1m}
		$[\text{min}^{-1}]$	$[\text{Nm}]$	$[\text{kW}]$
SK 1282/02	3608,19	0,49	290	0,05
	2448,65	0,71	290	0,06
W	1965,10	0,89	290	0,07
*	1620,65	1,1	290	0,07
IEC	1362,13	1,3	290	0,08
	1026,50	1,6	290	0,09
	826,23	2,1	290	0,10
$\frac{W}{mm}$	663,69	2,6	290	0,12



SK 1282/02



	i_{ges}	n_2 $n_1 =$ 1400 min ⁻¹ [min ⁻¹]	M_{2max} $f_B = 1$ [Nm]	W			IEC							
				P_{1max} $n_1 =$ 1400 min ⁻¹ [kW]	$n_1 =$ 930 min ⁻¹ [kW]	$f_B \geq 1$ $n_1 =$ 700 min ⁻¹ [kW]	$f_B \Rightarrow$ D4 - D40							
							IEC 63	IEC 71	IEC 80	IEC 90				
SK 1282/02	3608,19	0,39	290	0,05	0,03	0,03	*	*						
	2448,65	0,57	290	0,06	0,04	0,03	*	*						
W	1968,10	0,71	290	0,06	0,04	0,03	*	*						
$\frac{W}{mm}$	1362,13	1,0	290	0,07	0,04	0,03	*	*						
\Rightarrow D84	1066,50	1,3	290	0,07	0,05	0,04	*	*						
	826,23	1,7	290	0,08	0,05	0,04	*	*	*	*				
	663,69	2,1	290	0,09	0,06	0,05	*	*	*	*				
IEC	546,50	2,6	290	0,10	0,07	0,05	*	*	*	*				
$\frac{IEC}{mm}$	405,75	3,5	290	0,12	0,08	0,06	*	*	*	*				
\Rightarrow A12	328,02	4,3	290	0,15	0,10	0,07	*	*	*	*				
	283,85	4,9	290	0,17	0,11	0,09	*	*	*	*				
	229,08	6,1	290	0,19	0,12	0,09		*	*	*				
			290	0,23	0,15	0,11		*	*	*				

* \Rightarrow A63

$\frac{kg}{kg}$	W	IEC 63	IEC 71	IEC 80	IEC 90	IEC 100
SK 1282/02	26	27	28	31	31	-



	i_{ges}	n_2 $n_1 =$ 1400 min ⁻¹ [min ⁻¹]	M_{2max} $f_B = 1$ [Nm]	W			IEC $f_B \Rightarrow$ D4 - D40									
				P_{1max} $n_1 =$ 1400 min ⁻¹ [kW]	$n_1 =$ 930 min ⁻¹ [kW]	$f_B \geq 1$ $n_1 =$ 700 min ⁻¹ [kW]	$f_B \Rightarrow$ D4 - D40									
							IEC 63	IEC 71	IEC 80	IEC 90	IEC 100	IEC 112				
SK 1282	109,50	13	209	0,28	0,19	0,14		*								
	92,48	15	232	0,36	0,24	0,18		*								
W	81,17	17	296	0,53	0,35	0,26										
	72,17	19	296	0,59	0,39	0,29			*	*						
	66,23	21	270	0,59	0,39	0,30										
D84	58,89	24	283	0,71	0,47	0,36			*	*						
	55,39	25	235	0,62	0,41	0,31										
	49,25	28	260	0,76	0,50	0,38				*						
IEC	46,19	30	196	0,62	0,41	0,31										
	41,07	34	217	0,77	0,51	0,39				*						
	32,08	44	230	1,06	0,70	0,53				*						
A12	28,33	49	225	1,15	0,76	0,58				*						
	25,22	56	225	1,32	0,87	0,66				*	*	*				
	20,57	68	225	1,60	1,06	0,80				*	*	*				
	17,21	81	224	1,90	1,25	0,95				*	*	*				
	14,11	99	210	2,18	1,44	1,09				*	*	*				
	11,76	119	204	2,54	1,68	1,27				*	*	*				
	10,34	135	196	2,77	1,83	1,39				*	*	*				
	9,18	153	189	3,03	2,00	1,51				*	*	*				
	8,24	170	191	3,40	2,24	1,70				*	*	*				
	8,21	171	160	2,86	1,89	1,43				*	*	*				
	7,24	193	187	3,78	2,49	1,89				*	*	*				
	6,43	218	181	4,00	2,64	2,00				*	*	*				
	5,47	256	172	4,00	2,64	2,00				*	*	*				
	4,79	292	128	3,91	2,58	1,96				*	*	*				

* A63

Parallel shaft gear units

	W	IEC 63	IEC 71	IEC 80	IEC 90	IEC 100	IEC 112
SK 1282	18	19	20	23	23	30	30



	i_{ges}	n_2 $n_1 =$ 1400 min ⁻¹	M_{2max} $f_B = 1$	W			IEC					
				P_{1max} $n_1 =$ 1400 min ⁻¹	$n_1 =$ 930 min ⁻¹	$f_B \geq 1$ $n_1 =$ 700 min ⁻¹	$f_B \Rightarrow$ D4 - D40					
							IEC 71	IEC 80	IEC 90	IEC 100	IEC 112	
		[min ⁻¹]	[Nm]	[kW]	[kW]	[kW]						
SK 2282	127,51	11	380	0,44	0,29	0,22		*				
	104,07	13	397	0,54	0,36	0,27		*				
W	100,98	14	440	0,65	0,43	0,32		*	*			
	82,42	17	477	0,85	0,56	0,42			*			
	69,67	20	443	0,93	0,61	0,46			*			
	63,83	22	521	1,20	0,79	0,60			*			
	53,96	26	506	1,38	0,91	0,69			*			
	51,71	27	521	1,47	0,97	0,74			*	*	*	
IEC	45,11	31	450	1,46	0,96	0,73			*			
	43,71	32	563	1,89	1,25	0,94				*	*	
	37,18	38	460	1,83	1,21	0,92						
	36,54	38	501	1,99	1,32	1,00				*	*	
	31,23	45	445	2,10	1,38	1,05				*	*	
	29,65	47	500	2,46	1,62	1,23				*	*	*
	26,83	52	439	2,39	1,58	1,20				*	*	*
	24,97	56	490	2,87	1,90	1,44				*	*	*
	23,96	58	435	2,64	1,74	1,32				*	*	*
	21,90	64	480	3,22	2,12	1,61				*	*	*
	18,51	76	486	3,87	2,55	1,93				*	*	*
	16,53	85	471	4,00	2,64	2,00				*	*	*
	13,23	106	405	4,00	2,64	2,00				*	*	*
	11,81	119	384	4,00	2,64	2,00				*	*	*
	10,15	138	356	4,00	2,64	2,00				*	*	*
	9,03	155	335	4,00	2,64	2,00				*	*	*
	8,37	167	256	4,00	2,64	2,00				*	*	*
	7,48	187	243	4,00	2,64	2,00				*	*	*
	6,43	218	226	4,00	2,64	2,00				*	*	*
	5,72	245	212	4,00	2,64	2,00				*	*	*
	4,51	310	186	4,00	2,64	2,00				*	*	*

* A63

Parallel shaft gear units

	W	IEC 71	IEC 80	IEC 90	IEC 100	IEC 112
SK 2282	35	33	37	37	41	41



	i_{ges}	n_2 $n_1 =$ 1400 min ⁻¹ [min ⁻¹]	M_{2max} $f_B = 1$ [Nm]	W			IEC $f_B \Rightarrow$ D4 - D40						
				P_{1max} $n_1 =$ 1400 min ⁻¹ [kW]	$n_1 =$ 930 min ⁻¹ [kW]	$f_B \geq 1$ $n_1 =$ 700 min ⁻¹ [kW]	$f_B \Rightarrow$ D4 - D40						
							IEC 71	IEC 80	IEC 90	IEC 100	IEC 112	IEC 132	
SK 3282	112,23	12	770	0,97	0,64	0,48			*				
	100,88	14	807	1,18	0,78	0,59			*				
W	88,74	16	945	1,58	1,04	0,79							
mm	79,76	18	850	1,60	1,06	0,80							
mm	70,56	20	564	1,18	0,78	0,59			*				
D85	65,89	21	758	1,67	1,10	0,83							
	64,12	22	1015	2,34	1,54	1,17				*	*		
	55,79	25	642	1,68	1,11	0,84							
IEC	52,97	26	845	2,30	1,52	1,15				*	*		
mm	48,04	29	552	1,68	1,11	0,84							
mm	44,85	31	737	2,39	1,58	1,20				*	*		
A12	42,02	33	929	3,21	2,12	1,61					*		
	38,62	36	634	2,39	1,58	1,19				*	*		
	37,77	37	835	3,24	2,14	1,62					*		
	31,93	44	877	4,04	2,67	2,02							
	28,70	49	870	4,46	2,95	2,23							
	25,88	54	846	4,78	3,16	2,39							
	23,71	59	805	4,97	3,28	2,49							
	22,45	62	800	5,19	3,43	2,60						*	
	21,38	65	722	4,91	3,24	2,46							
	20,18	69	822	5,94	3,92	2,97						*	
	16,67	84	841	7,40	4,88	3,70						*	
	14,11	99	857	8,88	5,86	4,44						*	
	11,38	123	821	9,20	6,07	4,60							
	9,80	143	839	9,20	6,07	4,60							
	8,31	168	676	9,20	6,07	4,60							
	6,70	209	607	9,20	6,07	4,60							
	5,74	244	555	9,20	6,07	4,60							
	4,48	312	461	9,20	6,07	4,60							

* A63

Parallel shaft gear units

kg	W	IEC 71	IEC 80	IEC 90	IEC 100	IEC 112	IEC 132
SK 3282	50	48	52	52	56	56	65

SK 4282/12 SK 4382



	i_{ges}	n_2 $n_1 =$ 1400 min ⁻¹	M_{2max} $f_B = 1$	W			IEC					
				P_{1max} $n_1 =$ 1400 min ⁻¹	$n_1 =$ 930 min ⁻¹	$f_B \geq 1$ $n_1 =$ 700 min ⁻¹	$f_B \Rightarrow$ D4 - D40					
		[min ⁻¹]	[Nm]	[kW]	[kW]	[kW]	IEC 63	IEC 71	IEC 80	IEC 90	IEC 100	IEC 112
SK 4282/12	2782,46	0,50	1800	0,13	0,09	0,07	*	*				
	2248,25	0,62	1800	0,16	0,10	0,08	*	*				
W	1830,65	0,76	1800	0,18	0,12	0,09		*				
$\frac{H}{mm}$	1343,53	1,0	1800	0,23	0,15	0,11		*				
	1110,82	1,3	1800	0,29	0,19	0,14		*	*	*		
\Rightarrow D84	873,31	1,6	1800	0,34	0,23	0,17		*	*	*	*	*
	698,96	2,0	1800	0,42	0,28	0,21			*	*	*	*
	558,54	2,5	1800	0,51	0,34	0,26			*	*	*	*
IEC	409,92	3,4	1800	0,68	0,45	0,34			*	*	*	*
$\frac{H}{mm}$	340,87	4,1	1800	0,77	0,51	0,39			*	*	*	*
	302,24	4,6	1800	0,87	0,57	0,43			*	*	*	*
\Rightarrow A12	234,38	6,0	1800	1,13	0,75	0,57			*	*	*	*
	176,96	7,9	1800	1,49	0,98	0,74			*	*	*	*
	152,47	9,2	1800	1,73	1,14	0,87			*	*	*	*
	127,52	11	1800	2,07	1,37	1,04			*	*	*	*

	i_{ges}	n_2 $n_1 =$ 1400 min ⁻¹	M_{2max} $f_B = 1$	W			IEC					
				P_{1max} $n_1 =$ 1400 min ⁻¹	$n_1 =$ 930 min ⁻¹	$f_B \geq 1$ $n_1 =$ 700 min ⁻¹	IEC 63	IEC 71	IEC 80	IEC 90	IEC 100	IEC 112
SK 4382	1585,08	0,88	1420	0,13	0,09	0,07		*	*	*		
	1129,91	1,2	1600	0,20	0,13	0,10		*	*	*		
W	1097,48	1,3	1088	0,15	0,10	0,07		*	*	*		
$\frac{H}{mm}$	782,32	1,8	1476	0,28	0,18	0,14		*	*	*		
	654,27	2,1	1233	0,27	0,18	0,14		*	*	*		
	605,88	2,3	1475	0,36	0,23	0,18			*	*		
\Rightarrow D85	532,44	2,6	2000	0,54	0,36	0,27			*	*		
	445,23	3,1	1666	0,54	0,36	0,27			*	*		
	412,38	3,4	1990	0,71	0,47	0,35			*	*		
IEC	390,76	3,6	2000	0,75	0,50	0,38			*	*		
$\frac{H}{mm}$	344,84	4,1	1662	0,71	0,47	0,36			*	*		
	326,81	4,3	1890	0,85	0,56	0,43			*	*		
\Rightarrow A12	302,65	4,6	2077	1,00	0,66	0,50			*	*		
	272,54	5,1	1572	0,84	0,55	0,42			*	*		
	253,12	5,5	1961	1,13	0,75	0,56			*	*		
	211,09	6,6	1635	1,13	0,75	0,56			*	*		
	191,57	7,3	1990	1,52	1,00	0,76			*	*	*	*
	160,20	8,7	1657	1,51	1,00	0,75			*	*	*	*
	140,60	10	2000	2,09	1,38	1,05			*	*	*	*
	118,38	12	2000	2,51	1,66	1,26			*	*	*	*
	103,82	13	2000	2,72	1,80	1,36			*	*	*	*
	86,83	16	1980	3,00	1,98	1,50			*	*	*	*
	66,65	21	1200	2,64	1,74	1,32			*	*	*	*

* \Rightarrow A63

Parallel shaft gear units

kg	W	IEC 63	IEC 71	IEC 80	IEC 90	IEC 100	IEC 112
SK 4282/12	69	70	71	74	74	81	81
SK 4382	80	-	78	82	82	86	86



	i_{ges}	n_2 $n_1 =$ 1400 min ⁻¹	M_{2max} $f_B = 1$	W			IEC $f_B \Rightarrow$ D4 - D40						
				P_{1max} $n_1 =$ 1400 min ⁻¹	$n_1 =$ 930 min ⁻¹	$f_B \geq 1$ $n_1 =$ 700 min ⁻¹	IEC 90	IEC 100	IEC 112	IEC 132	AI 160		
		[min ⁻¹]	[Nm]	[kW]	[kW]	[kW]							
SK 4282	155,40	9,0	1275	1,20	0,79	0,60	*						
	110,78	13	1600	2,18	1,44	1,09		*	*				
W	90,52	15	1600	2,51	1,66	1,26		*	*				
	76,70	18	1589	2,99	1,98	1,50		*	*				
	75,39	19	1589	3,16	2,09	1,58			*	*			
\Rightarrow D86	61,60	23	1794	4,32	2,85	2,16				*			
	52,20	27	1818	5,14	3,39	2,57				*			
	45,05	31	1594	5,17	3,41	2,59				*			
IEC, AI	43,65	32	1600	5,36	3,54	2,68				*			
	40,74	34	1556	5,54	3,66	2,77				*			
	38,31	37	2000	7,75	5,11	3,87				*			
\Rightarrow A12	36,81	38	1400	5,57	3,68	2,79				*			
	36,40	38	1375	5,47	3,61	2,74				*			
	32,34	43	1620	7,29	4,81	3,65				*	*		
	32,04	44	1785	8,22	5,43	4,11				*			
	26,72	52	1600	8,71	5,75	4,36				*			
	26,43	53	1787	9,92	6,55	4,96				*			
	26,25	53	1608	8,92	5,89	4,46				*	*		
	22,39	63	1699	11,21	7,40	5,60				*	*		
	21,45	65	1686	11,48	7,57	5,74				*	*		
	18,18	77	1800	14,51	9,58	7,26				*	*		
	15,20	92	1800	15,00	9,90	7,50							
	12,68	110	1750	15,00	9,90	7,50							
	10,85	129	1700	15,00	9,90	7,50							
	9,23	152	1634	15,00	9,90	7,50							
	8,33	168	1272	15,00	9,90	7,50							
	7,13	196	1202	15,00	9,90	7,50							
	6,06	231	1200	15,00	9,90	7,50							
	5,43	258	1035	15,00	9,90	7,50							
	5,00	280	1035	15,00	9,90	7,50							
	4,70	298	1035	15,00	9,90	7,50							

* \Rightarrow A63

Parallel shaft gear units

kg	W	IEC 90	IEC 100	IEC 112	IEC 132	AI 160
SK 4282	75	70	77	77	91	91

SK 5282/12 SK 5382



	i_{ges}	n_2 $n_1 =$ 1400 min ⁻¹	M_{2max} $f_B = 1$	W			IEC					
				P_{1max}	$f_B \geq 1$	$f_B \Rightarrow$ D4 - D40	IEC 63	IEC 71	IEC 80	IEC 90	IEC 100	IEC 112
	[min ⁻¹]	[Nm]	[kW]	[kW]	[kW]							
SK 5282/12	2772,22	0,51	3000	0,20	0,13	0,10		*				
	2217,67	0,63	3000	0,24	0,16	0,12		*				
	W	1805,75	0,78	3000	0,29	0,19	0,14		*			
	$\frac{H}{mm}$	1334,62	1,0	3000	0,35	0,23	0,18		*	*	*	
		1095,71	1,3	3000	0,45	0,30	0,22		*	*	*	
	\Rightarrow D84	862,46	1,6	3000	0,54	0,36	0,27		*	*	*	*
		689,45	2,0	3000	0,67	0,44	0,33		*	*	*	*
		550,94	2,5	3000	0,79	0,52	0,39		*	*	*	*
	IEC	448,15	3,1	3000	0,97	0,64	0,49		*	*	*	*
	$\frac{H}{mm}$	338,35	4,1	3000	1,29	0,85	0,64		*	*	*	*
		273,15	5,1	3000	1,60	1,06	0,80		*	*	*	*
	\Rightarrow A12	232,66	6,0	3000	1,88	1,24	0,94		*	*	*	*
		174,55	8,0	3000	2,51	1,66	1,26		*	*	*	*
		142,18	9,8	3000	3,00	1,98	1,50		*	*	*	*
	SK 5382	1367,08	1,0	2700	0,28	0,19	0,14					
936,45		1,5	2700	0,42	0,28	0,21			*	*		
W		700,03	2,0	3200	0,67	0,44	0,34			*	*	
$\frac{H}{mm}$		570,18	2,5	2800	0,73	0,48	0,37			*	*	
		525,20	2,7	3200	0,90	0,60	0,45			*	*	
\Rightarrow D85		427,79	3,3	3200	1,11	0,73	0,55			*	*	
		361,69	3,9	2800	1,14	0,75	0,57			*	*	
		331,48	4,2	3200	1,41	0,93	0,70			*	*	*
IEC		269,99	5,2	2700	1,47	0,97	0,74			*	*	*
$\frac{H}{mm}$		248,70	5,6	3200	1,88	1,24	0,94			*	*	*
		202,57	6,9	3200	2,31	1,53	1,16			*	*	*
\Rightarrow A12		171,27	8,2	2800	2,40	1,59	1,20			*	*	*
		153,92	9,1	3200	3,05	2,01	1,52			*	*	*
		138,82	10	3200	3,35	2,21	1,68			*	*	*
		117,37	12	2750	3,46	2,28	1,73			*	*	*
	91,71	15	2900	4,55	3,01	2,28			*	*	*	
	82,72	17	2795	4,98	3,28	2,49			*	*	*	

Parallel shaft gear units

* \Rightarrow A63

$\frac{kg}{kg}$	W	IEC 63	IEC 71	IEC 80	IEC 90	IEC 100	IEC 112
SK 5282/12	105	186	107	110	110	117	117
SK 5382	120	-	118	122	122	126	126



	i_{ges}	n_2 $n_1 =$ 1400 min ⁻¹	M_{2max} $f_B = 1$	W			IEC $f_B \Rightarrow$ D4 - D40								
				P_{1max} $n_1 =$ 1400 min ⁻¹	$n_1 =$ 930 min ⁻¹	$f_B \geq 1$ $n_1 =$ 700 min ⁻¹	IEC 90	IEC 100	IEC 112	IEC 132	AI 160	AI 180			
		[min ⁻¹]	[Nm]	[kW]	[kW]	[kW]									
SK 5282	134,03	10	2654	2,78	1,83	1,39		*	*						
	100,19	14	2241	3,29	2,17	1,64			*						
W	91,81	15	2759	4,33	2,86	2,17				*					
$\frac{H}{mm}$	81,61	17	1828	3,25	2,15	1,63			*						
	68,63	20	2970	6,22	4,11	3,11				*					
\Rightarrow D87	55,90	25	2600	6,81	4,49	3,40				*					
	55,55	25	2500	6,54	4,32	3,27				*					
	51,49	27	3235	9,15	6,04	4,57				*					
IEC, AI	47,27	30	2400	7,54	4,98	3,77				*					
$\frac{H}{mm}$	41,94	33	3200	11,06	7,30	5,53									
	40,80	34	2500	8,90	5,87	4,45				*	*				
\Rightarrow A12	35,46	39	2700	11,03	7,28	5,51									
	33,43	42	2300	10,12	6,68	5,06					*	*			
	30,50	46	2900	13,97	9,22	6,98					*	*			
	25,00	56	2900	17,01	11,22	8,50						*			
	20,36	69	3100	22,00	14,52	11,00							*		
	18,88	74	2600	20,15	13,30	10,07								*	
	17,59	80	2750	22,00	14,52	11,00									
	15,38	91	2600	22,00	14,52	11,00									
	13,00	108	2629	22,00	14,52	11,00									
	10,71	131	2500	22,00	14,52	11,00									
	9,46	148	2300	22,00	14,52	11,00									
	8,70	161	2360	22,00	14,52	11,00									
	7,17	195	2161	22,00	14,52	11,00									
	6,33	221	2114	22,00	14,52	11,00									
	5,71	245	1800	22,00	14,52	11,00									
	5,29	265	1750	22,00	14,52	11,00									
	5,01	279	1700	22,00	14,52	11,00									
	4,32	324	1550	22,00	14,52	11,00									

* \Rightarrow A63

Parallel shaft gear units

$\frac{kg}{kg}$	W	IEC 90	IEC 100	IEC 112	IEC 132	AI 160	AI 180
SK 5282	111	106	113	113	127	126	126



	i_{ges}	n_2 $n_1 =$ 1400 min ⁻¹ [min ⁻¹]	M_{2max} $f_B = 1$ [Nm]	W			IEC $f_B \Rightarrow$ D4 - D40											
				P_{1max}		$f_B \geq 1$	$f_B \Rightarrow$ D4 - D40											
				$n_1 =$ 1400 min ⁻¹	$n_1 =$ 930 min ⁻¹	$n_1 =$ 700 min ⁻¹	IEC 100	IEC 112	IEC 132	AI 160	AI 180	AI 200	AI 225					
SK 6282	80,33	17	4131	7,35	4,85	3,68			*									
	65,44	21	3369	7,41	4,89	3,70			*									
W	61,08	23	4535	10,92	7,21	5,46				*	*							
$\frac{H}{mm}$	49,75	28	4040	11,85	7,82	5,92				*	*							
	39,48	35	3200	11,73	7,74	5,86				*	*							
\Rightarrow D87	29,90	47	4537	22,33	14,74	11,16												
	26,05	54	4533	25,63	16,92	12,82												
	22,95	61	4535	28,97	19,12	14,48							*	*				
IEC, AI	18,70	75	4427	34,77	22,95	17,38												*
$\frac{H}{mm}$	14,83	94	4475	44,05	29,07	22,02												*
	12,35	113	4389	45,00	29,70	22,50												
\Rightarrow A12	10,64	132	4314	45,00	29,70	22,50												
	9,39	149	2754	42,97	28,36	21,48												*
	7,82	179	2682	45,00	29,70	22,50												
	6,74	208	2990	45,00	29,70	22,50												
	5,99	234	2392	45,00	29,70	22,50												
	5,78	242	2334	45,00	29,70	22,50												
	5,50	255	2291	45,00	29,70	22,50												
	4,88	287	2156	45,00	29,70	22,50												
	4,39	319	2034	45,00	29,70	22,50												

* \Rightarrow A63

Parallel shaft gear units

$\frac{kg}{kg}$	W	IEC 100	IEC 112	IEC 132	AI 160	AI180	AI 200	AI 225
SK 6282	215	203	203	216	230	230	241	258

SK 7382/22 SK 7382/32 SK 7382



	i_{ges}	n_2 $n_1 =$ 1400 min ⁻¹	M_{2max} $f_B = 1$	W			IEC														
				P_{1max} $n_1 =$ 1400 min ⁻¹	$n_1 =$ 930 min ⁻¹	$f_B \geq 1$ $n_1 =$ 700 min ⁻¹	$f_B \Rightarrow$ D4 - D40														
							[kW]	[kW]	[kW]	IEC 71	IEC 80	IEC 90	IEC 100	IEC 112							
SK 7382/22	5662,68	0,25	7080	0,23	0,15	0,11	*	*	*												
	4892,48	0,29	7080	0,25	0,17	0,13	*	*	*												
W	3615,97	0,39	7080	0,33	0,22	0,16		*	*												
$\overline{\text{mm}}$	2635,97	0,53	7080	0,43	0,29	0,22		*	*												
\Rightarrow D85	2066,45	0,68	7080	0,54	0,36	0,27		*	*	*	*										
	1812,31	0,77	7080	0,61	0,40	0,31		*	*	*	*										
	1343,50	1,0	7080	0,78	0,52	0,39			*	*	*										
	1046,18	1,3	7080	0,96	0,64	0,48			*	*	*										
IEC	933,91	1,5	7080	1,11	0,73	0,56			*	*	*										
$\overline{\text{mm}}$	714,31	2,0	7080	1,48	0,98	0,74			*	*	*										
\Rightarrow A12	569,97	2,5	7080	1,85	1,22	0,93				*	*										
	435,50	3,2	7080	2,37	1,57	1,19				*	*										
	376,26	3,7	7080	2,74	1,81	1,37				*	*										
SK 7382/32	295,54	4,7	7060	3,47	2,29	1,74															
	223,20	6,3	7060	4,66	3,07	2,33					*	*									
W																					
$\overline{\text{mm}}$																					
\Rightarrow D85																					
\Rightarrow A12																					
SK 7382	338,79	4,1	7540	3,24	2,14	1,62					*	*									
	273,57	5,1	7540	4,03	2,66	2,01					*	*									
W	216,43	6,5	8300	5,65	3,73	2,82					*	*									
$\overline{\text{mm}}$	204,99	6,8	7540	5,37	3,54	2,68					*	*									
\Rightarrow D87	162,17	8,6	6270	5,65	3,73	2,82					*	*									
	150,57	9,3	7540	7,34	4,85	3,67					*	*									
	123,37	11	7540	8,68	5,73	4,34					*	*									
	106,59	13	7540	10,26	6,77	5,13					*	*									
IEC, AI	93,18	15	7540	11,84	7,82	5,92					*	*	*	*							
$\overline{\text{mm}}$	78,81	18	7420	13,99	9,23	6,99					*	*	*	*							
	68,10	21	7200	15,83	10,45	7,92					*	*	*	*							
\Rightarrow A12	59,52	24	7060	17,74	11,71	8,87					*	*	*	*							
	53,38	26	7080	19,28	12,72	9,64					*	*	*	*							
	46,66	30	7080	22,24	14,68	11,12					*	*	*	*							
	36,92	38	6620	26,34	17,39	13,17					*	*	*	*							
	30,42	46	6620	31,89	21,05	15,94					*	*	*	*							
	26,88	52	6620	36,05	23,79	18,02					*	*	*	*							
	23,46	60	6610	42,91	28,32	21,46					*	*	*	*							

* \Rightarrow A63

$\overline{\text{kg}}$	W	IEC 71	IEC 80	IEC 90	IEC 100	IEC 112	IEC 132	AI 160	AI 180	AI 200	AI 225
SK 7382/22	274	272	276	276	280	280	-	-	-	-	-
SK 7382/32	285	-	-	287	291	291	300	-	-	-	-
SK 7382	285	-	-	-	273	273	286	300	300	311	328



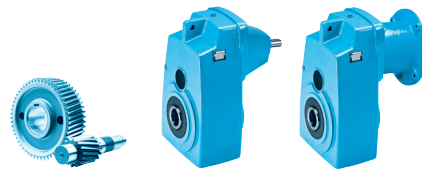
	i_{ges}	n_2 $n_1 =$ 1400 min ⁻¹ [min ⁻¹]	M_{2max} $f_B = 1$ [Nm]	W			IEC										
				P_{1max} $n_1 =$ 1400 min ⁻¹ [kW]	P_{1max} $n_1 =$ 930 min ⁻¹ [kW]	$f_B \geq 1$ $n_1 =$ 700 min ⁻¹ [kW]	$f_B \Rightarrow$ D4 - D40										
							IEC 132	AI 160	AI 180	AI 200	AI 225						
SK 7282	69,73	20	5804	12,15	8,02	6,08		*	*								
	56,91	25	5534	14,49	9,56	7,24		*	*								
W	45,67	31	5809	18,86	12,45	9,43			*	*							
	45,02	31	4382	14,22	9,39	7,11		*	*								
	37,27	38	6473	25,76	17,00	12,88				*							
D87	34,64	40	5804	24,31	16,04	12,15											
	26,89	52	5807	31,62	20,87	15,81							*				
	22,87	61	5802	37,06	24,46	18,53							*				
IEC, AI	19,97	70	5810	42,59	28,11	21,29							*				
	16,29	86	6469	45,00	29,70	22,50											
	12,89	109	5864	45,00	29,70	22,50											
A12	11,16	125	6221	45,00	29,70	22,50											
	9,92	141	4273	45,00	29,70	22,50											
	9,48	148	6263	45,00	29,70	22,50											
	8,66	162	4222	45,00	29,70	22,50											
	7,49	187	4507	45,00	29,70	22,50											
	6,36	220	4450	45,00	29,70	22,50											
	5,98	234	4322	45,00	29,70	22,50											
	5,30	264	4065	45,00	29,70	22,50											
	5,04	278	3929	45,00	29,70	22,50											
	4,26	329	3619	45,00	29,70	22,50											

* A63

Parallel shaft gear units

	W	IEC 132	AI 160	AI 180	AI 200	AI 225
SK 7282	278	279	293	293	304	321

SK 8382/32 SK 8382/42 SK 8382



	i_{ges}	n_2 $n_1 =$ 1400 min ⁻¹	M_{2max} $f_B = 1$	W			IEC												
				P_{1max} $n_1 =$ 1400 min ⁻¹	$n_1 =$ 930 min ⁻¹	$f_B \geq 1$ $n_1 =$ 700 min ⁻¹	$f_B \Rightarrow$ D4 - D40												
							[kW]	[kW]	[kW]	IEC 71	IEC 80	IEC 90	IEC 100	IEC 112	IEC 132				
SK 8382/32	6616,79	0,21	12100	0,31	0,20	0,15	*	*	*										
	5507,20	0,25	12100	0,36	0,24	0,18	*	*	*										
W	4211,43	0,33	12100	0,46	0,30	0,23		*	*										
$\frac{mm}{mm}$	3524,83	0,40	12100	0,55	0,36	0,27		*	*										
	3005,57	0,47	12100	0,64	0,42	0,32		*	*										
\Rightarrow D85	2416,28	0,58	12100	0,77	0,51	0,39			*	*	*								
	1697,85	0,82	12100	1,04	0,69	0,52			*	*	*								
	1366,83	1,0	12100	1,27	0,84	0,63			*	*	*								
IEC	1064,91	1,3	12100	1,65	1,09	0,82			*	*	*								
$\frac{mm}{mm}$	891,21	1,6	12100	2,03	1,34	1,01			*	*	*								
	718,43	1,9	12100	2,41	1,59	1,20			*	*	*								
\Rightarrow A12	612,94	2,3	12100	2,91	1,92	1,46			*	*	*								

	i_{ges}	n_2	M_{2max}	W	IEC, AI	IEC							AI	
						71	80	90	100	112	132	160		
SK 8382/42	551,02	2,5	12100	3,17	2,09	1,58					*	*	*	
	468,52	3,0	12100	3,80	2,51	1,90					*	*	*	
W	346,66	4,0	12100	5,07	3,34	2,53					*	*	*	
$\frac{mm}{mm}$	294,43	4,8	12100	6,08	4,01	3,04					*	*	*	
	223,40	6,3	12100	7,98	5,27	3,99					*	*	*	
\Rightarrow D86	185,94	7,5	12100	9,20	6,07	4,60					*	*	*	

	i_{ges}	n_2	M_{2max}	W	IEC, AI	IEC							AI					
						71	80	90	100	112	132	160	180	200	225			
SK 8382	386,68	3,6	12700	4,79	3,16	2,39					*							
	318,31	4,4	13000	5,99	3,95	2,99					*							
W	294,01	4,8	12700	6,38	4,21	3,19					*	*	*					
$\frac{mm}{mm}$	242,02	5,8	13100	7,96	5,25	3,98					*	*	*					
	201,00	7,0	10800	7,92	5,22	3,96					*							
\Rightarrow D87	185,66	7,5	12680	9,96	6,57	4,98					*	*						
	152,83	9,2	13200	12,72	8,39	6,36					*	*						
	143,91	9,7	12500	12,70	8,38	6,35					*	*						
	125,38	11	12190	14,04	9,27	7,02					*	*						
IEC, AI	118,47	12	12450	15,64	10,33	7,82					*	*						
$\frac{mm}{mm}$	103,21	14	12100	17,74	11,71	8,87					*	*						
	90,94	15	12100	19,01	12,54	9,50					*	*	*	*	*	*	*	*
\Rightarrow A12	75,69	18	12100	22,81	15,05	11,40					*	*	*	*	*	*	*	*
	65,22	21	11300	24,85	16,40	12,42					*	*	*	*	*	*	*	*
	57,43	24	12100	30,41	20,07	15,20					*	*	*	*	*	*	*	*
	47,80	29	12100	36,74	24,25	18,37					*	*	*	*	*	*	*	*
	43,59	32	10600	35,52	23,44	17,76					*	*	*	*	*	*	*	*
	35,88	39	12080	45,00	29,70	22,50					*	*	*	*	*	*	*	*
	30,92	45	12090	45,00	29,70	22,50					*	*	*	*	*	*	*	*


* \Rightarrow A63

kg	W	IEC 71	IEC 80	IEC 90	IEC 100	IEC 112	IEC 132	AI 160	AI 180	AI 200	AI 225
SK 8382/32	410	408	412	412	416	416	425	-	-	-	-
SK 8382/42	435	-	-	430	437	437	451	450	-	-	-
SK 8382	410	-	-	-	398	398	411	425	425	436	453



	i_{ges}	n_2 $n_1 =$ 1400 min ⁻¹ [min ⁻¹]	M_{2max} $f_B = 1$ [Nm]	W			IEC $f_B \Rightarrow$ D4 - D40									
				P_{1max} $n_1 =$ 1400 min ⁻¹ [kW]	$n_1 =$ 930 min ⁻¹ [kW]	$f_B \geq 1$ $n_1 =$ 700 min ⁻¹ [kW]	IEC 132	AI 160	AI 180	AI 200	AI 225	AI 250	AI 280			
SK 8282	72,21	19	7875	15,67	10,34	7,83			*							
	59,44	24	6483	16,29	10,75	8,15			*							
W	47,51	29	10613	32,23	21,27	16,11										
$\frac{H}{mm}$	39,16	36	10615	40,01	26,41	20,01				*						
\Rightarrow D88	32,24	43	10346	35,22	23,24	17,61										
	28,33	49	9998	46,58	30,75	23,29										
	24,50	57	10603	51,30	33,86	25,65										
IEC, AI	21,13	66	10618	63,28	41,77	31,64										
$\frac{H}{mm}$	17,40	80	9697	73,38	48,43	36,69										*
\Rightarrow A12	15,18	92	9480	75,00	49,50	37,50										*
	12,96	108	10294	75,00	49,50	37,50										*
	10,86	129	10290	75,00	49,50	37,50										*
	9,67	145	6521	75,00	49,50	37,50										*
	8,26	169	7296	75,00	49,50	37,50										*
	6,92	202	6786	75,00	49,50	37,50										*
	4,52	310	4890	75,00	49,50	37,50										*

* \Rightarrow A63

	W	IEC 132	AI 160	AI 180	AI 200	AI 225	AI 250	AI 280
SK 8282	481	407	421	421	432	449	511	511



	i _{ges}	n ₂ n ₁ = 1400 min ⁻¹ [min ⁻¹]	M _{2max} f _B = 1 [Nm]	W			W	IEC f _B ⇨ D4 - D40											
				P _{1max} n ₁ = 1400 min ⁻¹ [kW]	P ₁ n ₁ = 930 min ⁻¹ [kW]	f _B ≥ 1 n ₁ = 700 min ⁻¹ [kW]		IEC	AI	AI	AI	AI	AI	AI	AI				
								132	160	180	200	225	250	280	315				
SK 10382.1	343,19	4,1	33310	14,2	9,45	7,11			*	*									
	312,23	4,5	30310	14,2	9,45	7,12			*	*									
W	283,96	4,9	27560	14,2	9,45	7,11			*	*									
	258,35	5,4	25080	14,2	9,45	7,12			*	*									
	225,94	6,2	46810	30,4	20,2	15,2													
⇨	205,57	6,8	42580	30,4	20,2	15,2													
	172,76	8,1	46250	39,2	26,1	19,6													
IEC, AI	157,18	8,9	42080	39,3	26,1	19,6													
	135,24	10	45780	49,6	33,0	24,8													
	123,04	11	41650	49,6	33,0	24,8													
⇨	111,90	13	45230	59,3	39,4	29,6													
	95,98	15	44290	67,7	44,9	33,8													*
	87,32	16	41120	69,0	45,9	34,5													*
	79,41	18	43050	79,5	52,8	39,7													*
	72,25	19	40650	82,5	54,8	41,2													*
	61,07	23	41400	99,4	66,0	49,7													
	55,56	25	43660	115	76,5	57,6													
	47,38	30	38270	118	78,7	59,2													
	44,70	31	38280	126	83,4	62,8													*
	40,65	34	39620	143	94,9	71,4													*
	36,98	38	39930	158	105	79,1													*
	31,26	45	39210	160	106	80													*
	28,44	49	43000	160	106	80													*
	24,25	58	38850	160	106	80													*
	22,07	63	38560	160	106	80													*
	19,23	73	33600	160	106	80													*
	17,49	80	30570	160	106	80													*
	15,36	91	26830	160	106	80													*
	13,97	100	24410	160	106	80													*
	12,22	115	21350	160	106	80													*

* ⇨ A63

Parallel shaft
gear units

	W	IEC 132	AI 160	AI 180	AI 200	AI 225	AI 250	AI 280	AI 315
SK 10382.1	1070	1041	1055	1055	1066	1083	1145	1145	1261

SK 11382.1

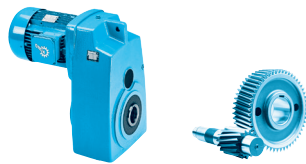


	i_{ges}	n_2 $n_1 =$ 1400 min ⁻¹ [min ⁻¹]	M_{2max} $f_B = 1$ [Nm]	W			IEC									
				P_{1max} $n_1 =$ 1400 min ⁻¹ [kW]	$f_B \geq 1$ $n_1 =$ 930 min ⁻¹ [kW]	$f_B \geq 1$ $n_1 =$ 700 min ⁻¹ [kW]	$f_B \Rightarrow$ D4 - D40									
							AI 160	AI 180	AI 200	AI 225	AI 250	AI 280	AI 315			
SK 11382.1	167,17	8,4	72090	63,2	42,0	31,6						*				
	141,74	9,9	71210	73,7	48,9	36,8						*				
W	130,02	11	70280	79,2	52,6	39,6						*				
$\frac{H}{mm}$	111,80	13	68690	90,1	59,8	45,0										
	101,78	14	67950	97,9	65,0	48,9										
\Rightarrow D89	87,52	16	76850	129	85,5	64,4										
	79,95	18	70200	129	85,5	64,4										
	72,38	19	64370	130	86,6	65,2										
IEC, AI	65,61	21	67050	150	99,5	74,9						*				
	56,42	25	75890	197	131	98,6						*				
$\frac{H}{mm}$	51,54	27	69330	197	131	98,6						*				
\Rightarrow A12	40,83	34	66520	200	133	100										
	35,41	40	65960	200	133	100										
	32,35	43	62020	200	133	100										
	28,56	49	61870	200	133	100										
	25,62	55	58190	200	133	100										
	22,32	63	57620	200	133	100										
	20,39	69	54160	200	133	100										
	17,93	78	53780	200	133	100										
	16,37	85	50880	200	133	100										

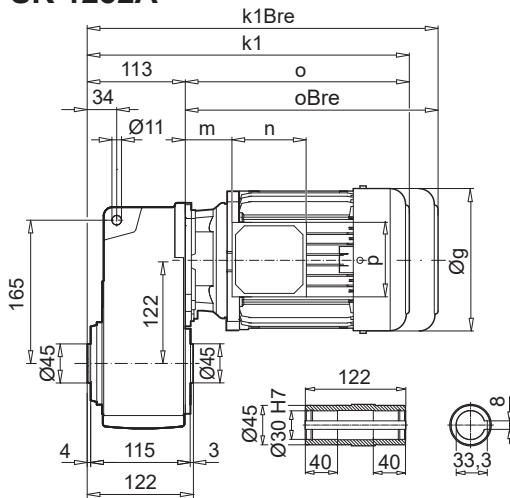
* \Rightarrow A63

Parallel shaft gear units

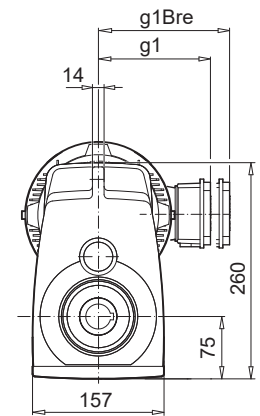
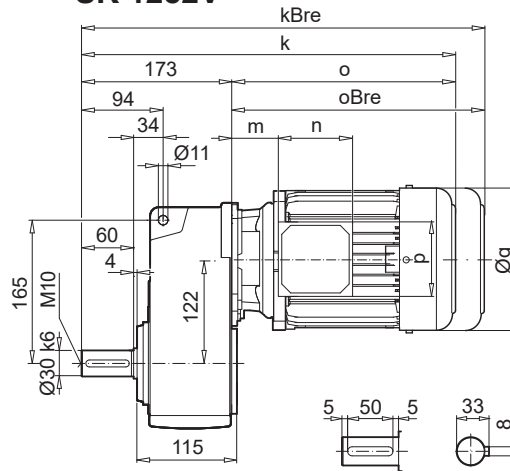
$\frac{kg}{kg}$	W	AI 160	AI 180	AI 200	AI 225	AI 250	AI 280	AI 315
SK 11382.1	1670	1655	1655	1666	1683	1745	1745	1861



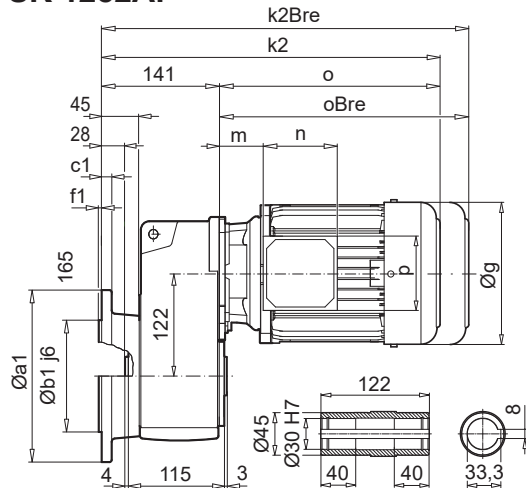
SK 1282A



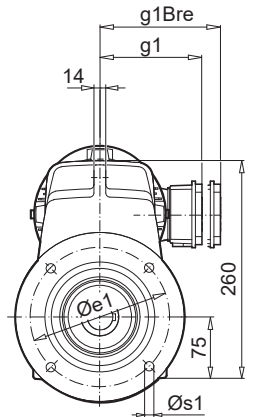
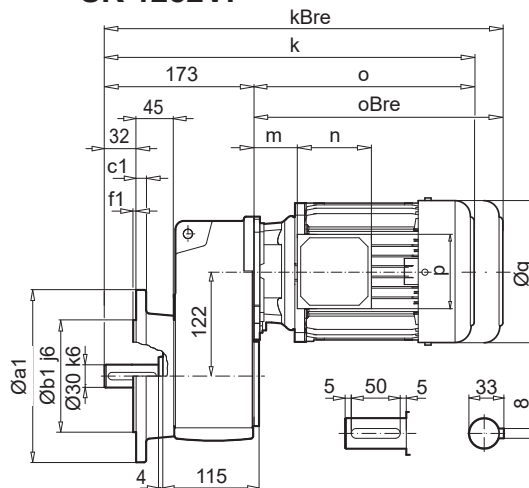
SK 1282V



SK 1282AF



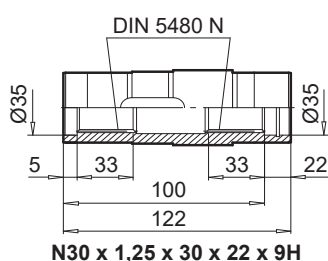
SK 1282VF



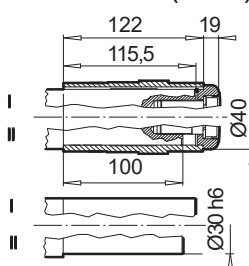
Parallel shaft gear units

a1	b1	c1	e1	f1	s1
200	130	12	165	3,5	4 x 11

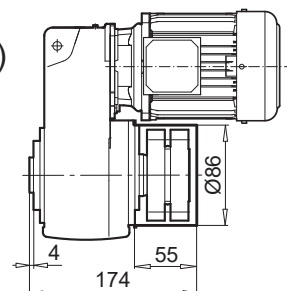
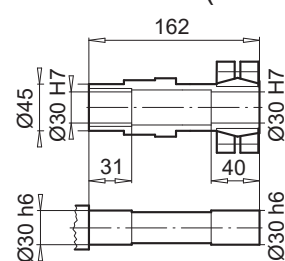
SK 1282EA



SK 1282AB (AFB)

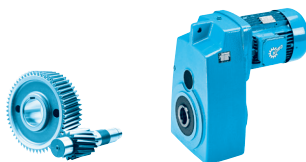


SK 1282ASH (AFSH)

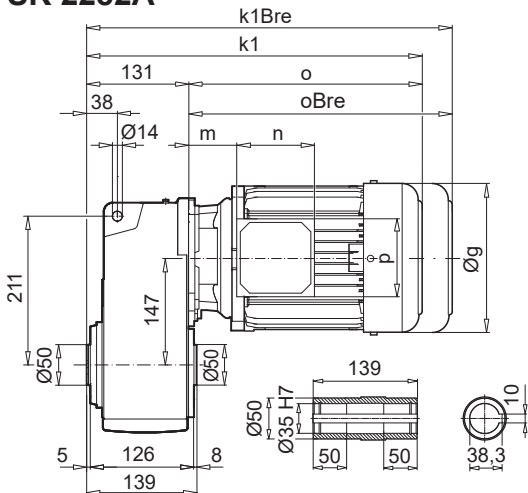


↗ A61	63 S/L	71 S/L	80 S/SH	80 LP	90 SP/LP	100 LP/AP	112 MP	
g	130	145	165	165	183	201	228	
g1 / g1Bre	115 / 123	124 / 132	142 / 142	142 / 142	147 / 147	169 / 173	179 / 182	
k / kBre	369 / 425	409 / 467	434 / 498	434 / 498	475 / 550	505 / 596	553 / 646	
k1 / k1Bre	309 / 365	349 / 407	374 / 438	374 / 438	415 / 490	445 / 536	493 / 586	
k2 / k2Bre	337 / 393	377 / 435	402 / 466	402 / 466	443 / 518	473 / 564	521 / 614	
o / oBre	196 / 252	236 / 294	261 / 325	261 / 325	302 / 377	332 / 423	380 / 473	
m / mBre	16 / 22	42 / 48	47 / 51	47 / 51	52 / 56	58 / 62	64 / 67	
n / nBre	100 / 134	100 / 134	114 / 153	114 / 153	114 / 153	114 / 153	114 / 153	
p / pBre	100 / 89	100 / 89	114 / 108	114 / 108	114 / 108	114 / 108	114 / 108	

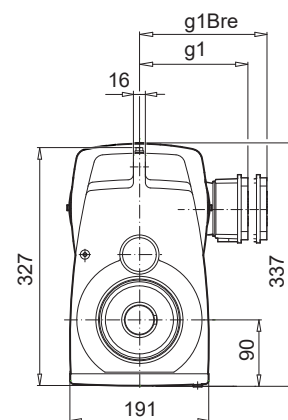
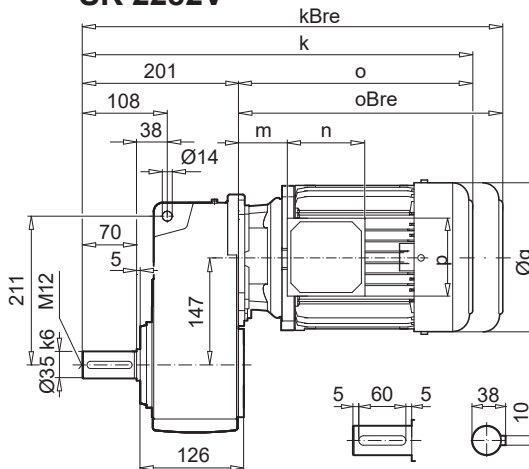
SK 2282



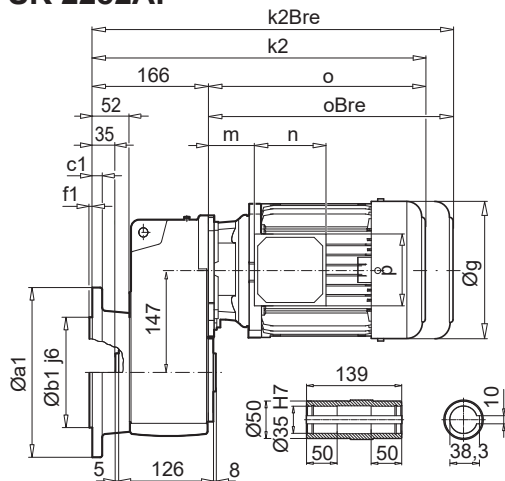
SK 2282A



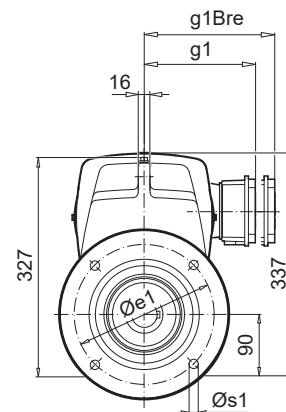
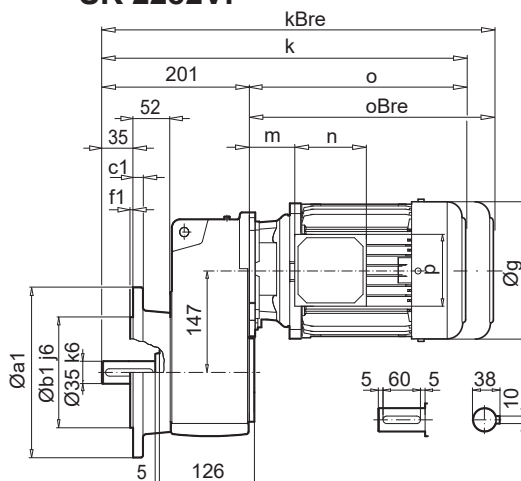
SK 2282V



SK 2282AF



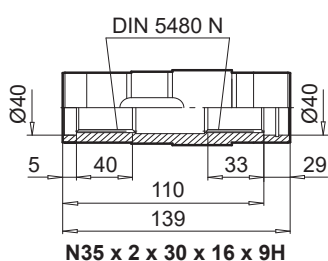
SK 2282VF



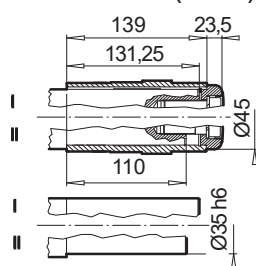
Parallel shaft gear units

a1	b1	c1	e1	f1	s1
250	180	16	215	4	4 x 13,5

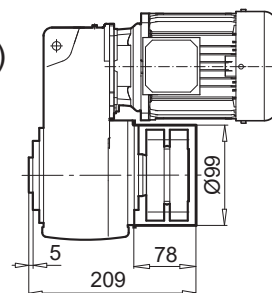
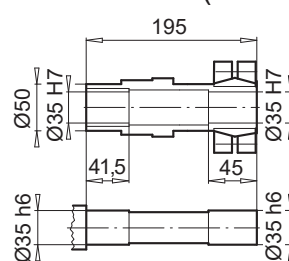
SK 2282EA



SK 2282AB (AFB)



SK 2282ASH (AFSH)

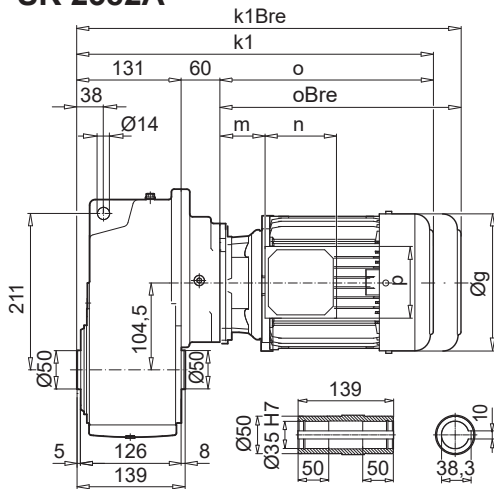


↗ A61	71 S/L	80 S/SH	80 LP	90 SP/LP	100 LP/AP	112 MP	132 SP/MP
g	145	165	165	183	201	228	266
g1 / g1Bre	124 / 132	142 / 142	142 / 142	147 / 147	169 / 173	179 / 182	204 / 201
k / kBre	431 / 489	456 / 520	456 / 520	497 / 572	527 / 618	575 / 668	636 / 743
k1 / k1Bre	361 / 419	386 / 450	386 / 450	427 / 502	457 / 548	505 / 598	566 / 673
k2 / k2Bre	396 / 454	421 / 485	421 / 485	462 / 537	492 / 583	540 / 633	601 / 708
o / oBre	230 / 288	255 / 319	255 / 319	296 / 371	326 / 417	374 / 467	435 / 542
m / mBre	36 / 42	41 / 44	41 / 44	46 / 50	52 / 56	58 / 61	71 / 62
n / nBre	100 / 134	114 / 153	114 / 153	114 / 153	114 / 153	114 / 153	122 / 185
p / pBre	100 / 89	114 / 108	114 / 108	114 / 108	114 / 108	114 / 108	122 / 139

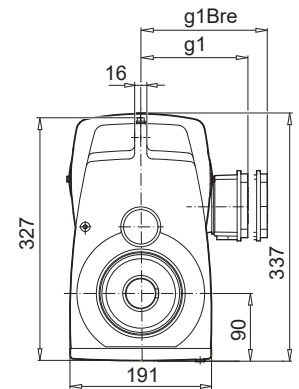
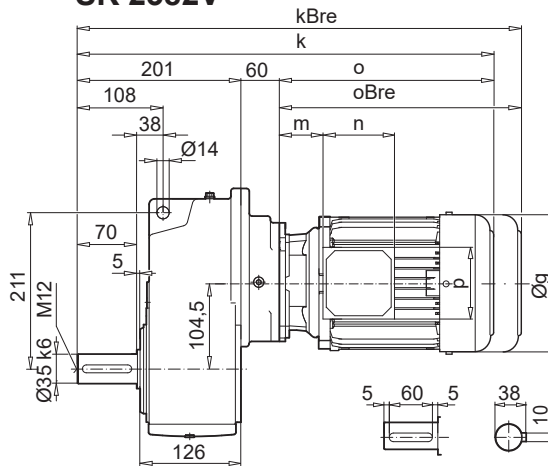




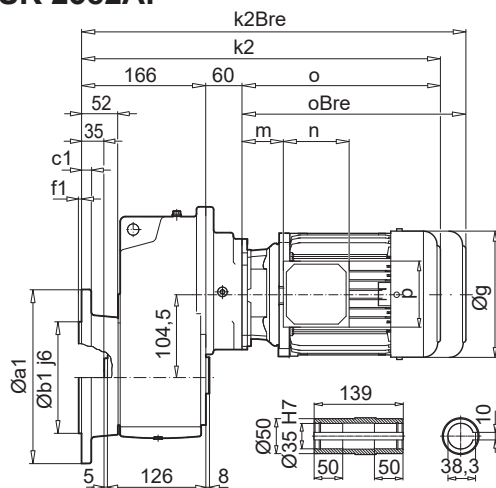
SK 2382A



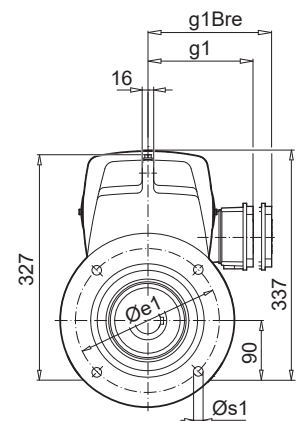
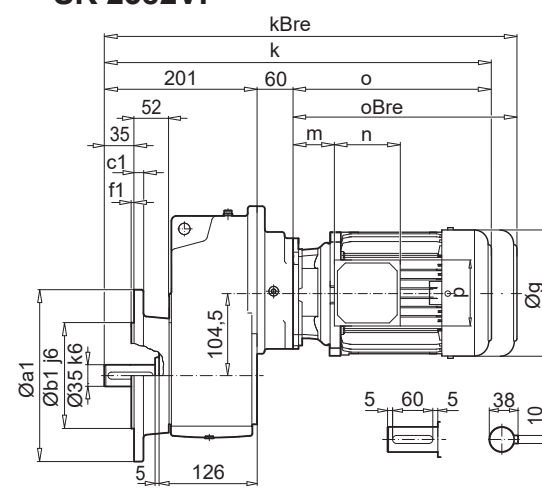
SK 2382V



SK 2382AF



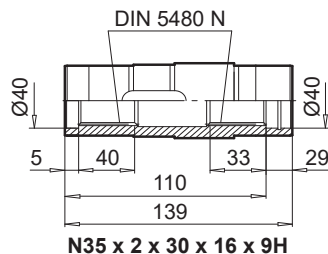
SK 2382VF



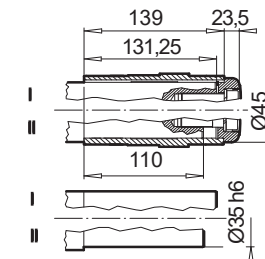
Parallel shaft gear units

a1	b1	c1	e1	f1	s1
250	180	16	215	4	4 x 13,5

SK 2382EA



SK 2382AB (AFB)



⇒ A61	63 S/L	71 S/L	80 SH	80 LHP	90 SP		
g	130	145	165	165	183		
g1 / g1Bre	115 / 123	124 / 132	142 / 142	142 / 142	147 / 147		
k / kBre	457 / 513	497 / 555	522 / 586	522 / 586	563 / 638		
k1 / k1Bre	387 / 443	427 / 485	452 / 516	452 / 516	493 / 568		
k2 / k2Bre	423 / 479	462 / 520	487 / 551	487 / 551	528 / 603		
o / oBre	196 / 252	236 / 294	261 / 325	261 / 325	296 / 371		
m / mBre	16 / 22	42 / 48	47 / 50	47 / 50	52 / 56		
n / nBre	100 / 134	100 / 134	114 / 153	114 / 153	114 / 153		
p / pBre	100 / 89	100 / 89	114 / 108	114 / 108	114 / 108		

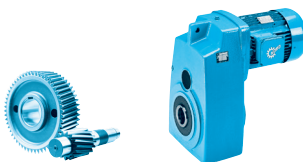


D84

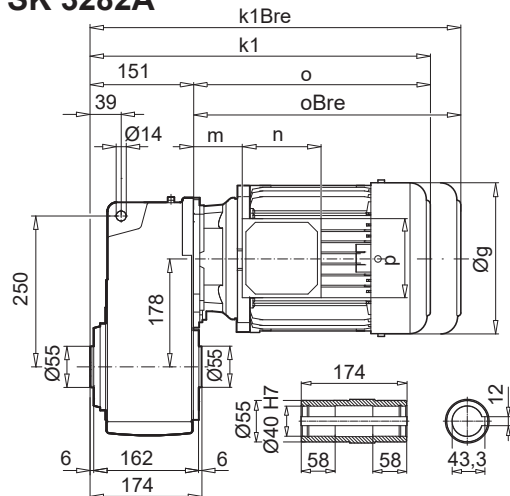


A12

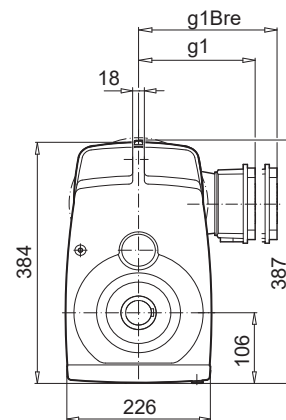
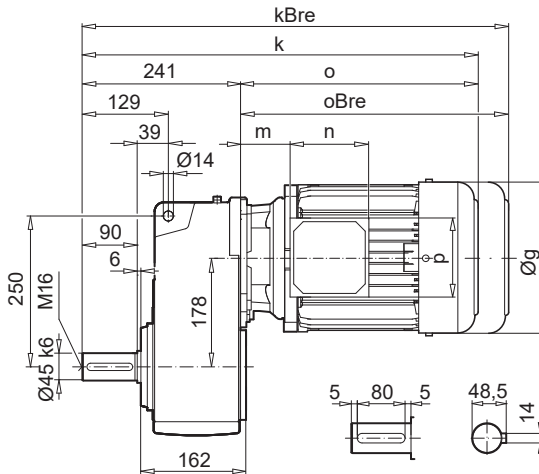
SK 3282



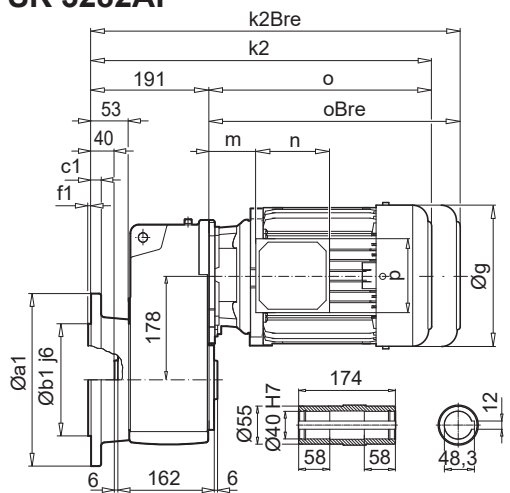
SK 3282A



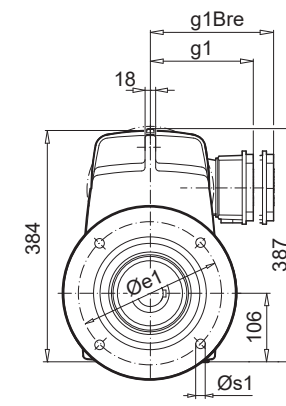
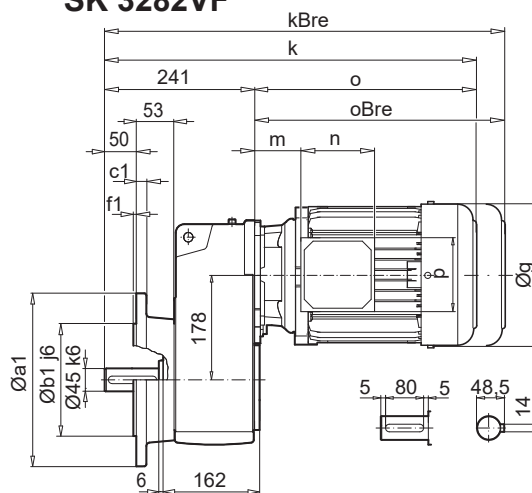
SK 3282V



SK 3282AF



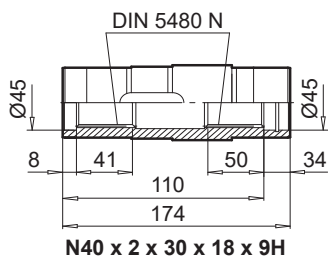
SK 3282VF



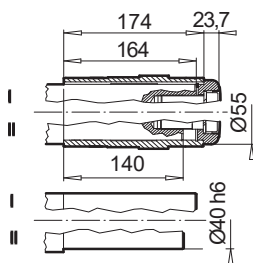
Parallel shaft gear units

a1	b1	c1	e1	f1	s1
250	180	15	215	4	4 x 13,5
300	230	20	265	4	4 x 13,5

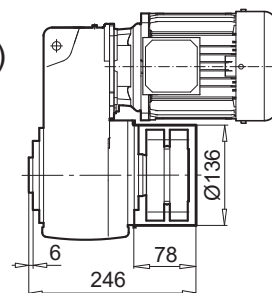
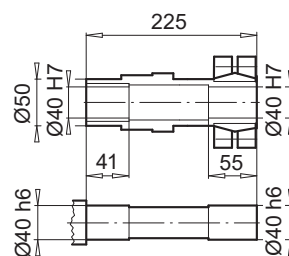
SK 3282EA



SK 3282AB (AFB)



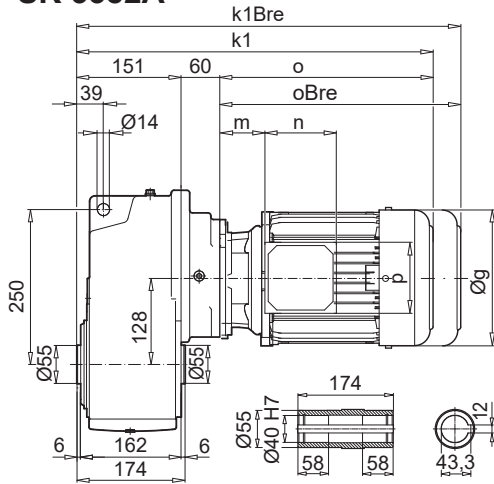
SK 3282ASH (AFSH)



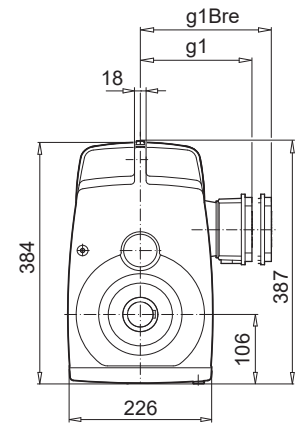
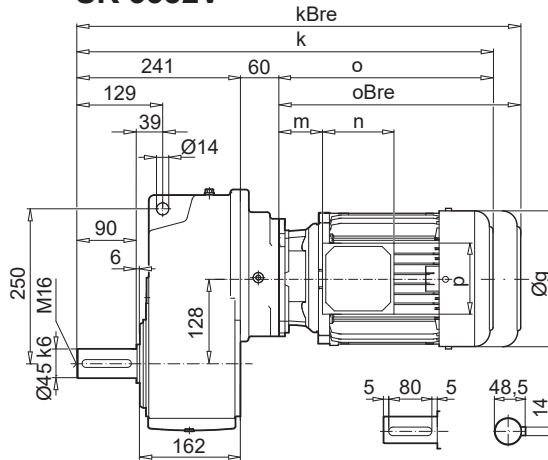
↔ A61	71 S/L	80 S/SH	80 LP	90 SP/LP	100 LP/AP	112 MP	132 SP/MP	
g	145	165	165	183	201	228	266	
g1 / g1Bre	124 / 132	142 / 142	142 / 142	147 / 147	169 / 173	179 / 182	204 / 201	
k / kBre	471 / 529	496 / 560	496 / 560	537 / 612	567 / 658	615 / 708	676 / 783	
k1 / k1Bre	381 / 439	406 / 470	406 / 470	447 / 522	477 / 568	525 / 618	586 / 693	
k2 / k2Bre	421 / 479	446 / 510	446 / 510	487 / 562	517 / 608	565 / 658	626 / 733	
o / oBre	230 / 288	255 / 319	255 / 319	296 / 371	326 / 417	374 / 467	435 / 542	
m / mBre	36 / 42	41 / 44	41 / 44	46 / 50	52 / 56	58 / 61	71 / 62	
n / nBre	100 / 134	114 / 153	114 / 153	114 / 153	114 / 153	114 / 153	122 / 185	
p / pBre	100 / 89	114 / 108	114 / 108	114 / 108	114 / 108	114 / 108	122 / 139	



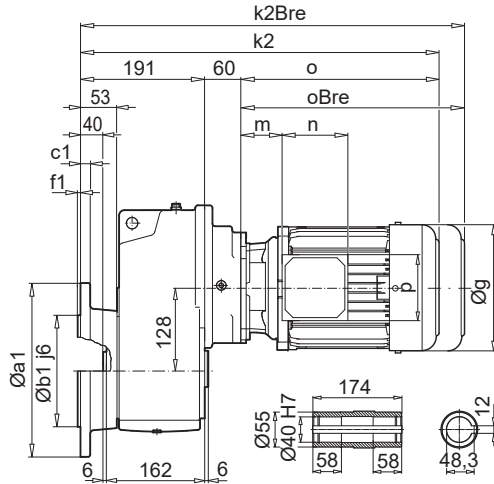
SK 3382A



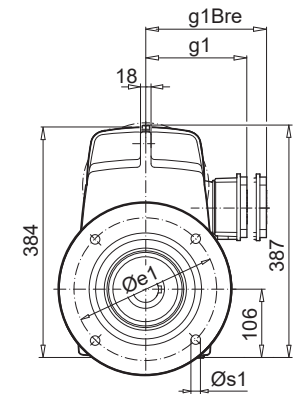
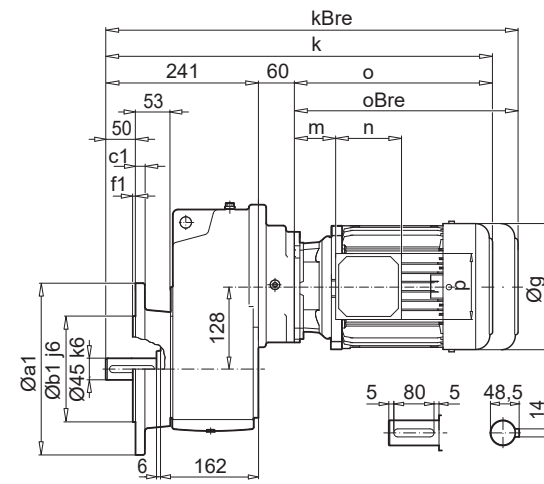
SK 3382V



SK 3382AF



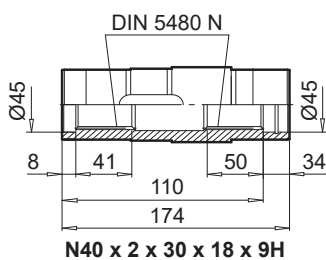
SK 3382VF



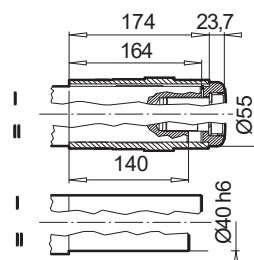
Parallel shaft gear units

a1	b1	c1	e1	f1	s1
250	180	15	215	4	4 x 13,5
300	230	20	265	4	4 x 13,5

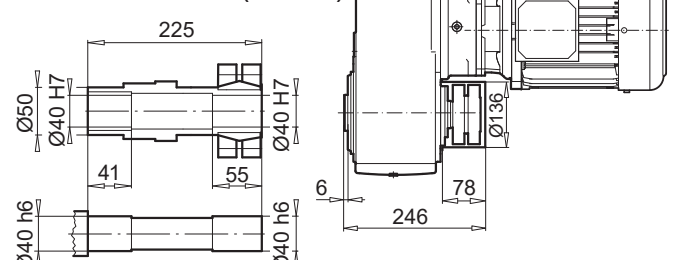
SK 3382EA



SK 3382AB (AFB)

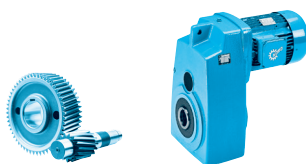


SK 3382ASH (AFSH)

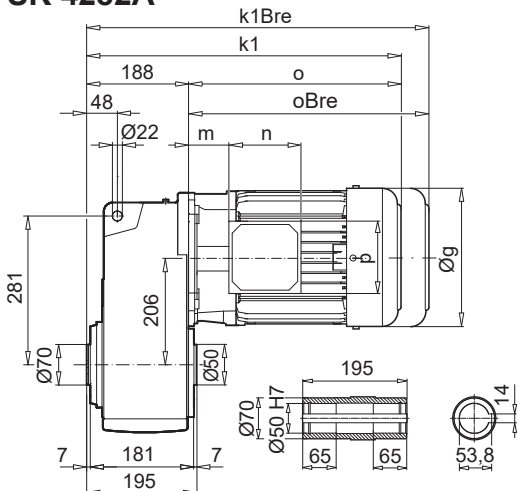


↔ A61	63 S/L	71 S/L	80 SH	80 LP	90 SP			
g	130	145	165	165	183			
g1 / g1Bre	115 / 123	124 / 132	142 / 142	142 / 142	147 / 147			
k / kBre	497 / 553	537 / 565	562 / 626	562 / 626	603 / 678			
k1 / k1Bre	407 / 463	447 / 475	472 / 536	472 / 536	513 / 588			
k2 / k2Bre	443 / 503	487 / 515	512 / 576	512 / 576	553 / 628			
o / oBre	196 / 252	236 / 294	261 / 325	261 / 325	302 / 377			
m / mBre	16 / 22	42 / 48	47 / 50	47 / 50	52 / 56			
n / nBre	100 / 134	100 / 134	114 / 153	114 / 153	114 / 153			
p / pBre	100 / 89	100 / 89	114 / 108	114 / 108	114 / 108			

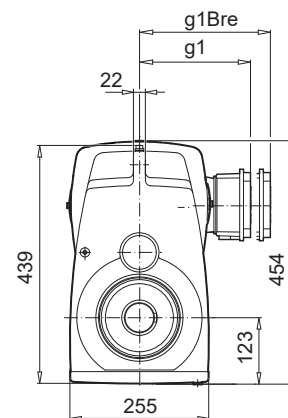
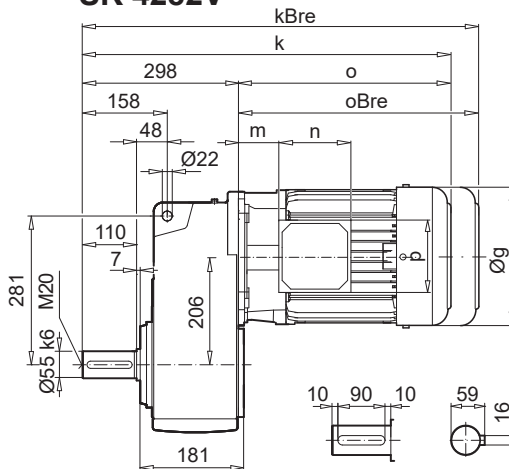
SK 4282



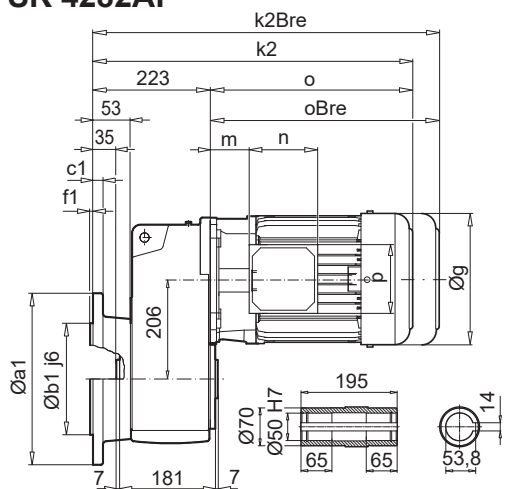
SK 4282A



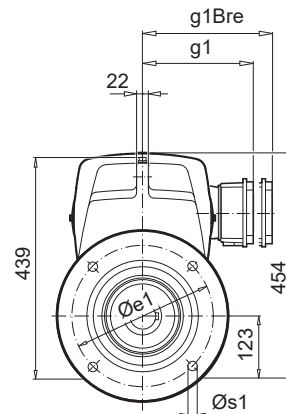
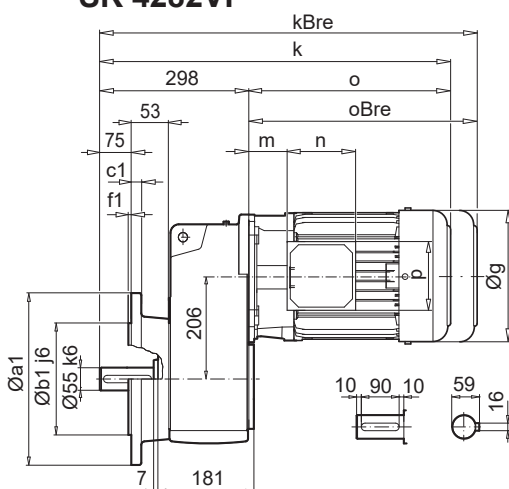
SK 4282V



SK 4282AF



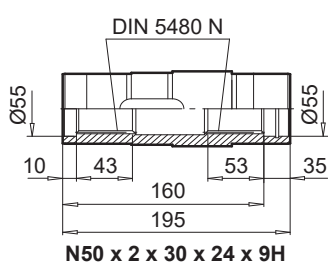
SK 4282VF



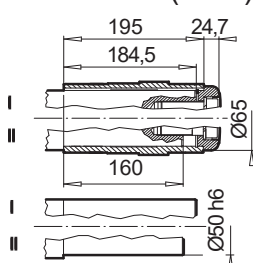
Parallel shaft gear units

a1	b1	c1	e1	f1	s1
250	180	14,5	215	4	4 x 14
300	230	20	265	4	4 x 14

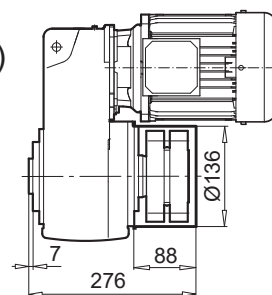
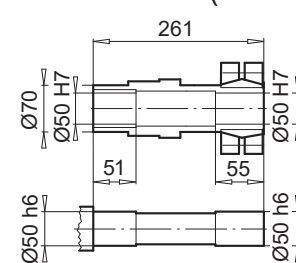
SK 4282EA



SK 4282AB (AFB)



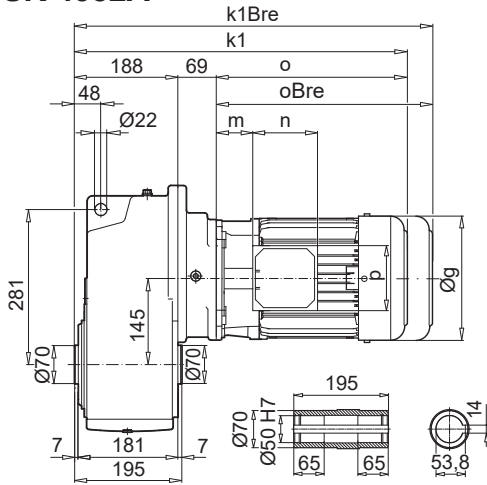
SK 4282ASH (AFSH)



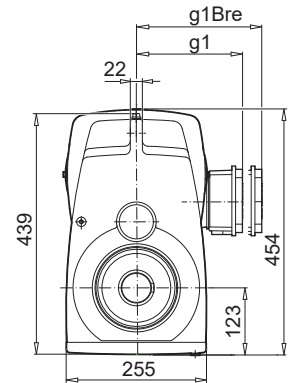
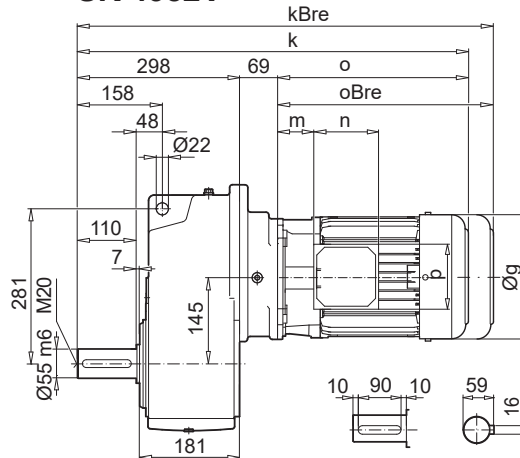
↗ A61	90 SP/LP	100 LP/AP	112 MP	132 SP/MP	160 SP/MP	160 LP	180 MP/LP	
g	183	201	228	266	320	320	357	
g1 / g1Bre	147 / 147	169 / 173	179 / 182	204 / 201	242 / 242	242 / 242	258 / 258	
k / kBre	574 / 649	604 / 695	652 / 745	713 / 820	790 / 925	834 / 969	932 / 1060	
k1 / k1Bre	464 / 539	494 / 585	542 / 635	603 / 710	680 / 815	724 / 859	822 / 950	
k2 / k2Bre	499 / 574	529 / 620	577 / 670	638 / 745	715 / 850	759 / 894	857 / 985	
o / oBre	276 / 351	306 / 397	354 / 447	415 / 522	492 / 627	536 / 671	634 / 762	
m / mBre	26 / 30	32 / 36	38 / 41	51 / 42	52 / 52	52 / 52	74 / 74	
n / nBre	114 / 153	114 / 153	114 / 153	122 / 185	186 / 186	186 / 186	186 / 186	
p / pBre	114 / 108	114 / 108	114 / 108	122 / 139	186 / 186	186 / 186	186 / 186	



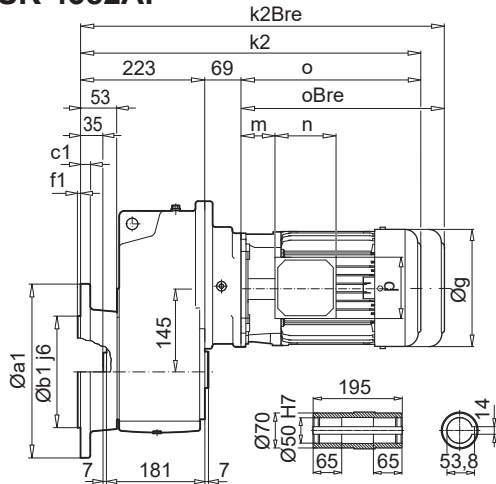
SK 4382A



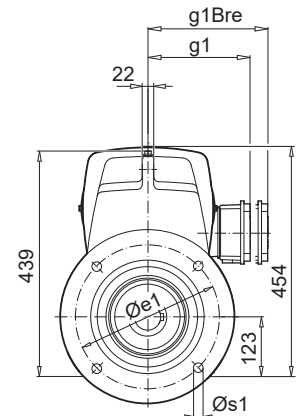
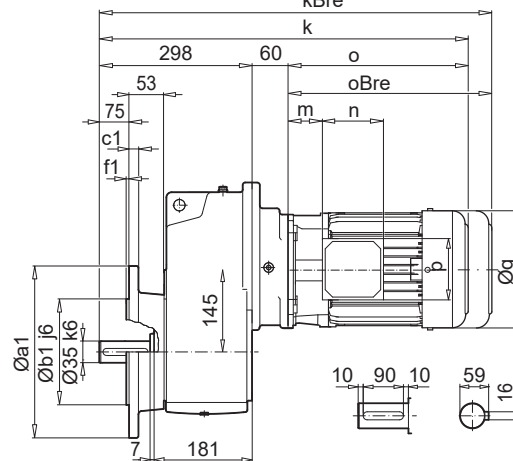
SK 4382V



SK 4382AF



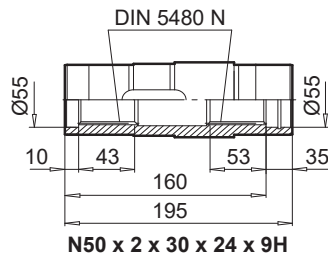
SK 4382VF



Parallel shaft gear units

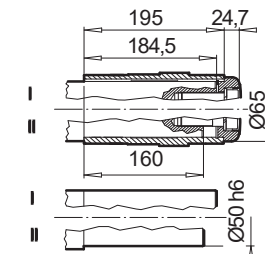
a1	b1	c1	e1	f1	s1
250	180	14,5	215	4	4 x 14
300	230	20	265	4	4 x 14

SK 4382EA



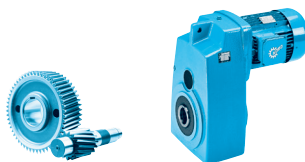
N50 x 2 x 30 x 24 x 9H

SK 4382AB (AFB)

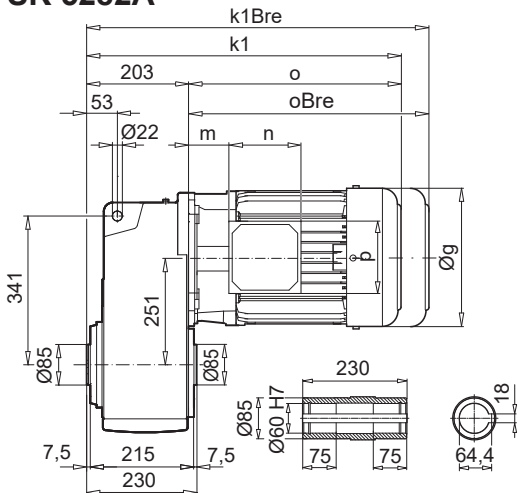


⇒ A61	71 S/L	80 S/SH	80 LP	90 SP/LP	100 LP/AP			
g	145	165	165	183	201			
g1 / g1Bre	124 / 132	142 / 142	142 / 142	147 / 147	169 / 173			
k / kBre	597 / 655	622 / 686	622 / 686	663 / 738	693 / 784			
k1 / k1Bre	487 / 545	512 / 576	512 / 576	553 / 628	583 / 674			
k2 / k2Bre	522 / 580	547 / 611	547 / 611	588 / 663	618 / 709			
o / oBre	236 / 294	261 / 325	261 / 325	296 / 371	326 / 417			
m / mBre	36 / 42	41 / 44	41 / 44	46 / 50	52 / 56			
n / nBre	100 / 134	114 / 153	114 / 153	114 / 153	114 / 153			
p / pBre	100 / 89	114 / 108	114 / 108	114 / 108	114 / 108			

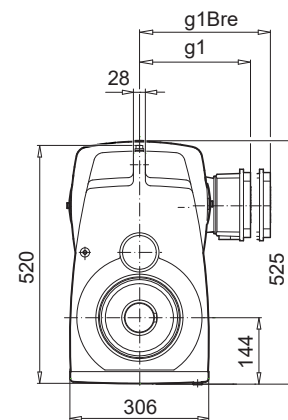
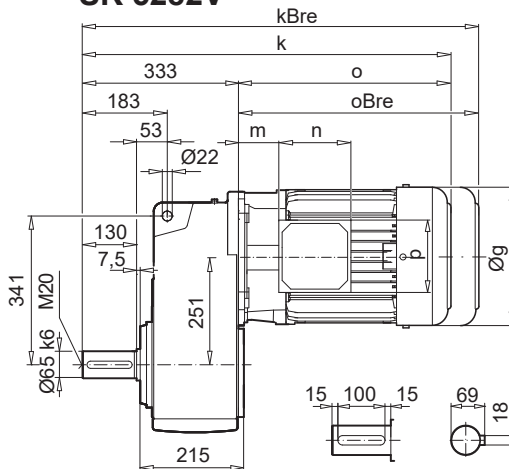
SK 5282



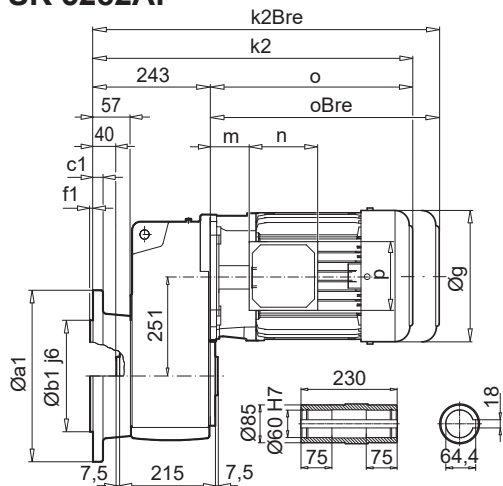
SK 5282A



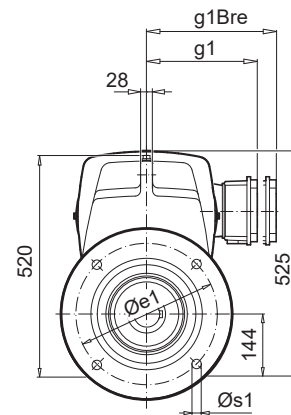
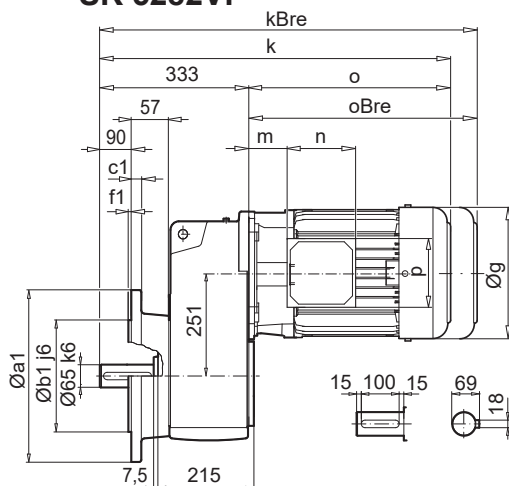
SK 5282V



SK 5282AF



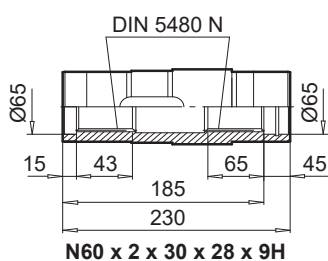
SK 5282VF



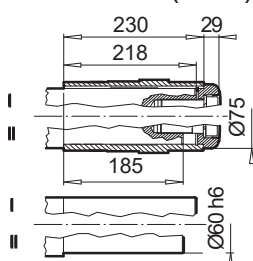
Parallel shaft gear units

a1	b1	c1	e1	f1	s1
350	250	20	300	5	4 x 18

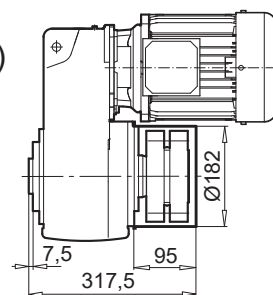
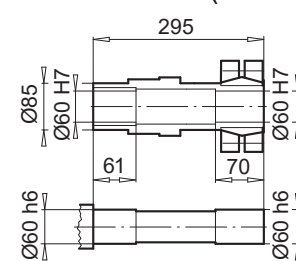
SK 5282EA



SK 5282AB (AFB)



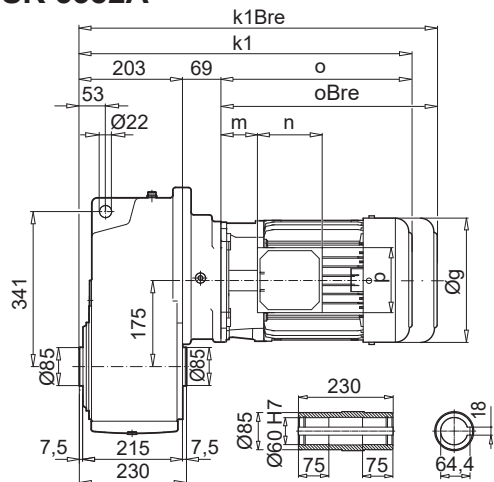
SK 5282ASH (AFSH)



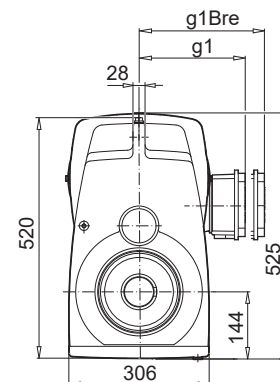
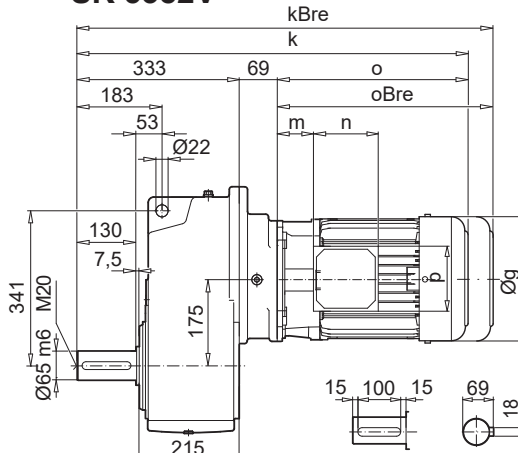
↗ A61	90 SP/LP	100 LP/AP	112 MP	132 SP/MP	160 SP/MP	160 LP	180 MP/LP	
g	183	201	228	266	320	320	357	
g1 / g1Bre	147 / 147	169 / 173	179 / 182	204 / 201	242 / 242	242 / 242	258 / 258	
k / kBre	609 / 684	639 / 730	687 / 780	748 / 855	825 / 960	869 / 1004	967 / 1095	
k1 / k1Bre	479 / 554	509 / 600	557 / 650	618 / 725	695 / 830	739 / 874	837 / 965	
k2 / k2Bre	519 / 594	549 / 640	597 / 690	658 / 765	735 / 870	779 / 914	877 / 1005	
o / oBre	276 / 351	306 / 397	354 / 447	415 / 522	492 / 627	536 / 671	634 / 762	
m / mBre	26 / 30	32 / 36	38 / 41	51 / 42	52 / 52	52 / 52	74 / 74	
n / nBre	114 / 153	114 / 153	114 / 153	122 / 185	186 / 186	186 / 186	186 / 186	
p / pBre	114 / 108	114 / 108	114 / 108	122 / 139	186 / 186	186 / 186	186 / 186	



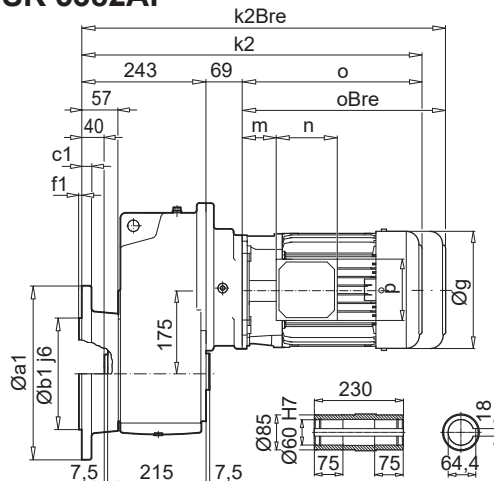
SK 5382A



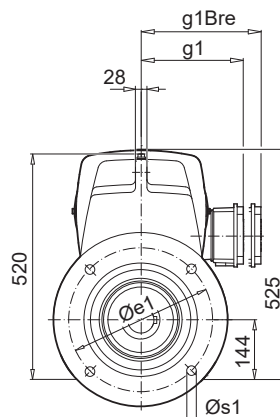
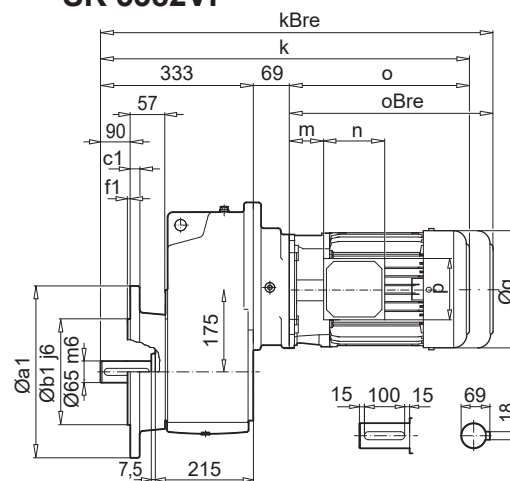
SK 5382V



SK 5382AF



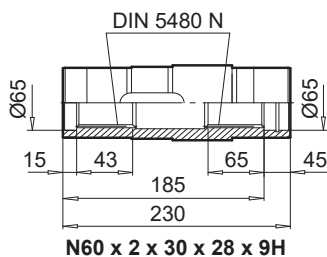
SK 5382VF



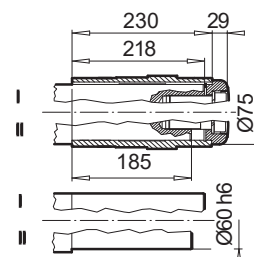
Parallel shaft gear units

a1	b1	c1	e1	f1	s1
350	250	20	300	5	4 x 18

SK 5382EA

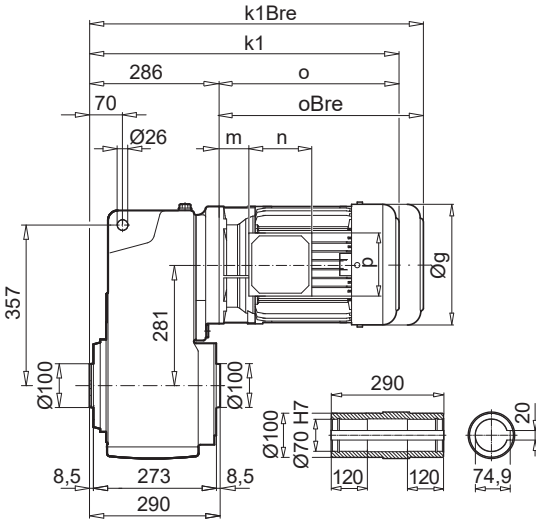


SK 5382AB (AFB)

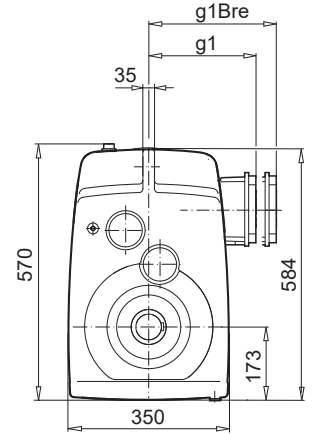
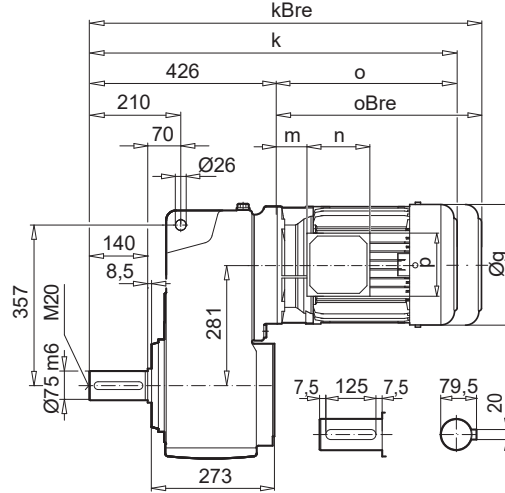


⇒ A61	71 L	80 S/SH	80 LP	90 SP/LP	100 LP/AP	112 MP	132 SP	
g	145	165	165	183	201	228	266	
g1 / g1Bre	124 / 132	142 / 142	142 / 142	147 / 147	169 / 173	179 / 182	204 / 201	
k / kBre	632 / 690	657 / 721	657 / 721	698 / 773	728 / 819	776 / 869	837 / 944	
k1 / k1Bre	502 / 560	527 / 591	527 / 591	568 / 643	598 / 689	646 / 739	707 / 814	D85
k2 / k2Bre	542 / 600	567 / 631	567 / 631	608 / 683	638 / 729	686 / 779	747 / 844	
o / oBre	230 / 288	255 / 319	255 / 319	296 / 371	326 / 417	374 / 467	435 / 542	A12
m / mBre	36 / 42	41 / 44	41 / 44	46 / 50	52 / 56	58 / 61	71 / 62	
n / nBre	100 / 134	114 / 153	114 / 153	114 / 153	114 / 153	114 / 153	122 / 185	
p / pBre	100 / 89	114 / 108	114 / 108	114 / 108	114 / 108	114 / 108	122 / 139	

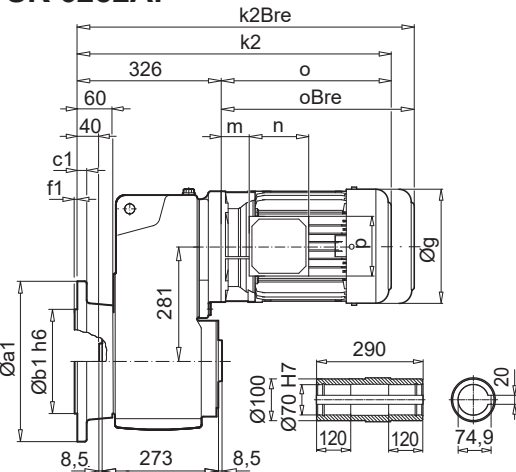
SK 6282A



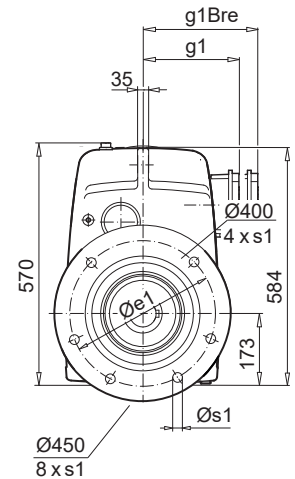
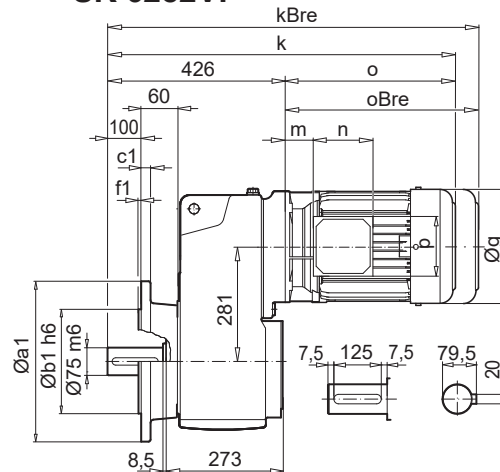
SK 6282V



SK 6282AF

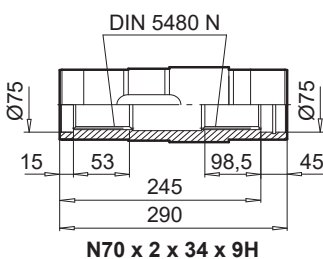


SK 6282VF

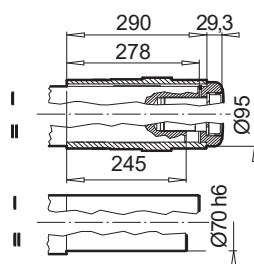


a1	b1	c1	e1	f1	s1
400	300	20	350	5	4 x 17,5
450	350	16	400	5	8 x 17,5

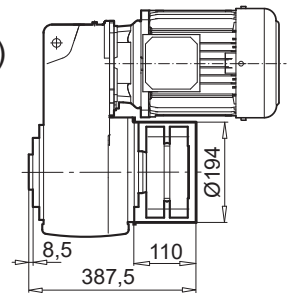
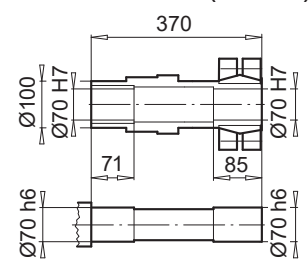
SK 6282EA



SK 6282AB (AFB)

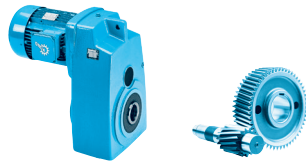


SK 6282ASH (AFSH)

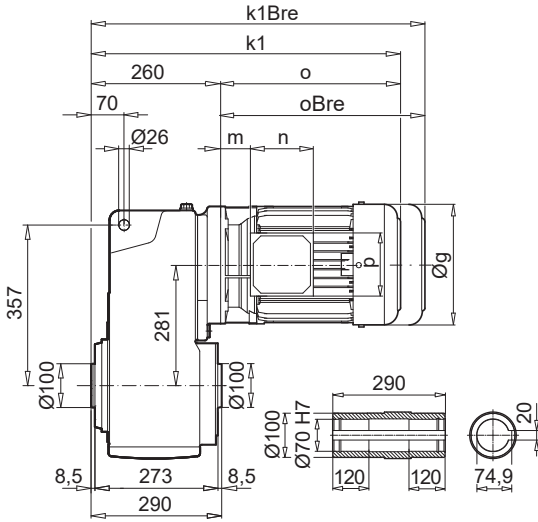


⇒ A61	100 AP	112 MP	132 SP/MP	160 SP/MP	160 LP	180 MP/LP	225 RP	225 SP/MP	
g	201	228	266	320	320	357	443	443	
g1 / g1Bre	169 / 173	179 / 182	204 / 201	242 / 242	242 / 242	258 / 258	347 / 347	347 / 347	
k / kBre	732 / 823	777 / 870	861 / 968	918 / 1053	962 / 1097	1040 / 1168	1168 / 1348	1168 / 1348	
k1 / k1Bre	592 / 683	637 / 730	721 / 828	778 / 913	822 / 957	900 / 1028	1028 / 1208	1028 / 1208	
k2 / k2Bre	632 / 723	677 / 770	761 / 868	818 / 953	862 / 997	940 / 1068	1068 / 1248	1068 / 1248	
o / oBre	306 / 397	351 / 444	435 / 542	492 / 627	536 / 671	614 / 742	742 / 922	742 / 922	
m / mBre	32 / 36	35 / 38	71 / 64	52 / 52	52 / 52	54 / 54	94 / 94	94 / 94	
n / nBre	114 / 153	114 / 153	122 / 185	186 / 186	186 / 186	186 / 186	245 / 245	245 / 245	
p / pBre	114 / 108	114 / 108	122 / 139	186 / 186	186 / 186	186 / 186	245 / 245	245 / 245	

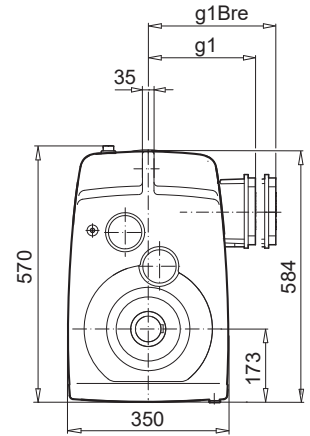
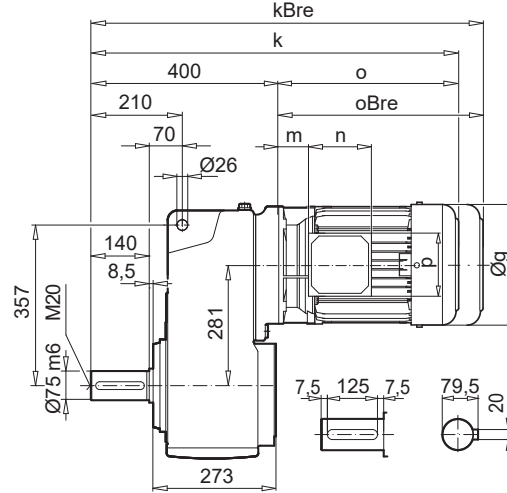
Parallel shaft gear units



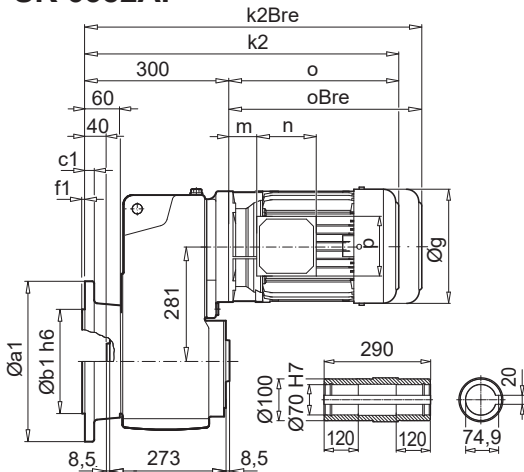
SK 6382A



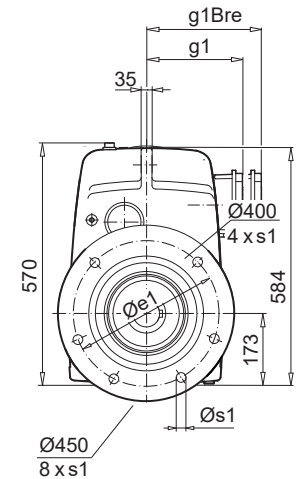
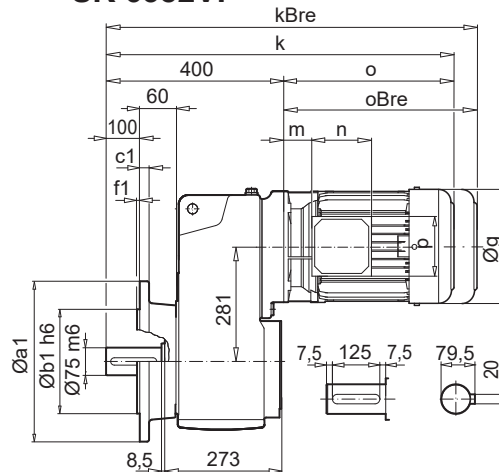
SK 6382V



SK 6382AF

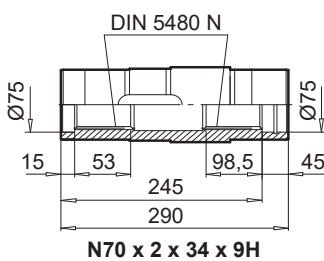


SK 6382VF

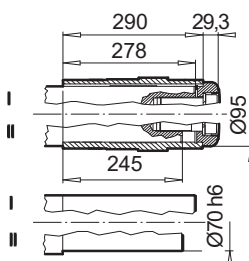


a1	b1	c1	e1	f1	s1
400	300	20	350	5	4 x 17,5
450	350	16	400	5	8 x 17,5

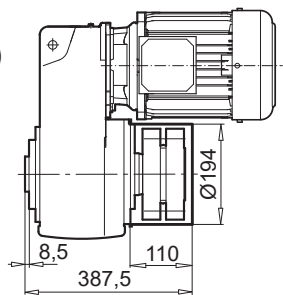
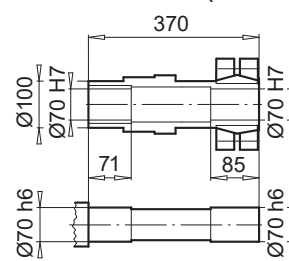
SK 6382EA



SK 6382AB (AFB)



SK 6382ASH (AFSH)



Parallel shaft gear units

⇒ A61	90 SP/LP	100 LP/AP	112 MP	132 SP/MP	160 SP/MP	160 LP	180 MP/LP		
g	183	201	228	266	320	320	357		
g1 / g1Bre	147 / 147	169 / 173	179 / 182	204 / 201	242 / 242	242 / 242	258 / 258		
k / kBre	676 / 751	706 / 797	754 / 847	815 / 922	892 / 1027	936 / 1071	1034 / 1162		
k1 / k1Bre	536 / 611	566 / 657	614 / 707	675 / 782	752 / 887	796 / 931	894 / 1022		
k2 / k2Bre	576 / 651	606 / 697	654 / 747	715 / 822	792 / 927	836 / 971	934 / 1062		
o / oBre	276 / 351	306 / 397	354 / 447	415 / 522	492 / 627	536 / 671	634 / 762		
m / mBre	26 / 30	32 / 36	38 / 41	51 / 44	52 / 52	52 / 52	74 / 74		
n / nBre	114 / 153	114 / 153	114 / 153	122 / 185	186 / 186	186 / 186	186 / 186		
p / pBre	114 / 108	114 / 108	114 / 108	122 / 139	186 / 186	186 / 186	186 / 186		



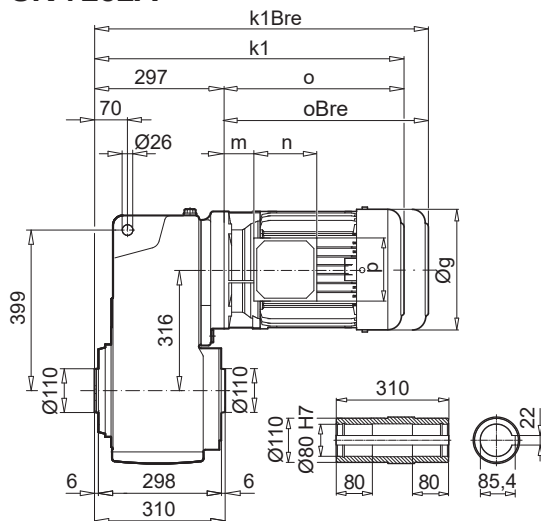
D84



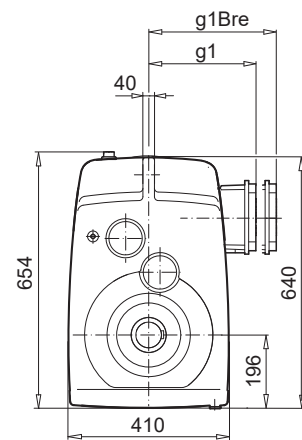
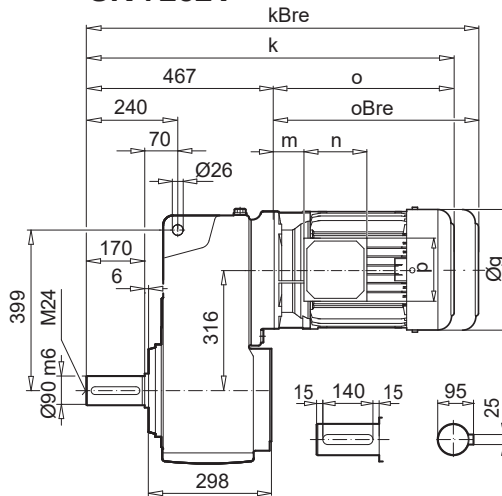
A12

SK 7282

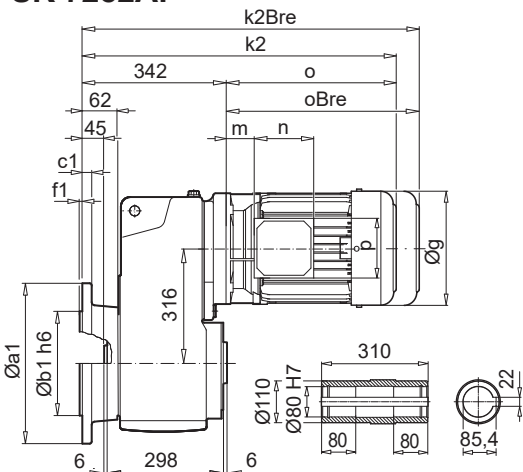
SK 7282A



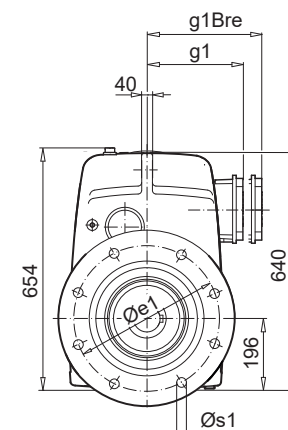
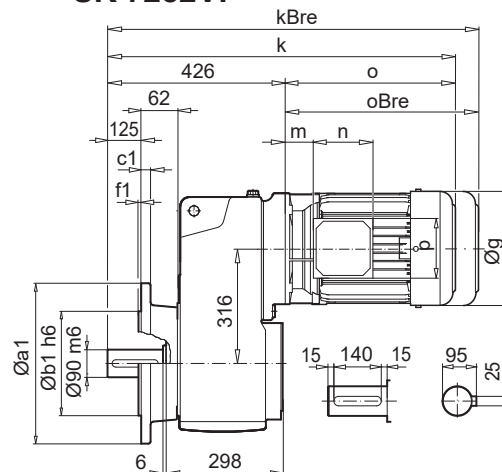
SK 7282V



SK 7282AF

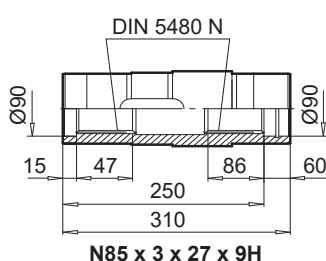


SK 7282VF

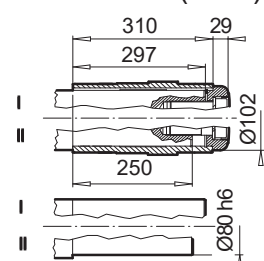


a1	b1	c1	e1	f1	s1
450	350	22	400	5	8 x 18
550	450	28	500	5	8 x 18

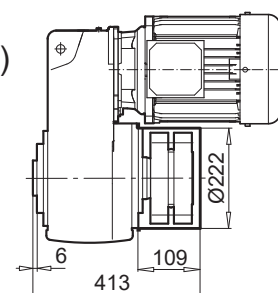
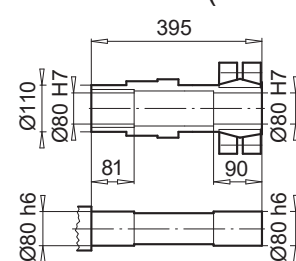
SK 7282EA



SK 7282AB (AFB)



SK 7282ASH (AFSH)



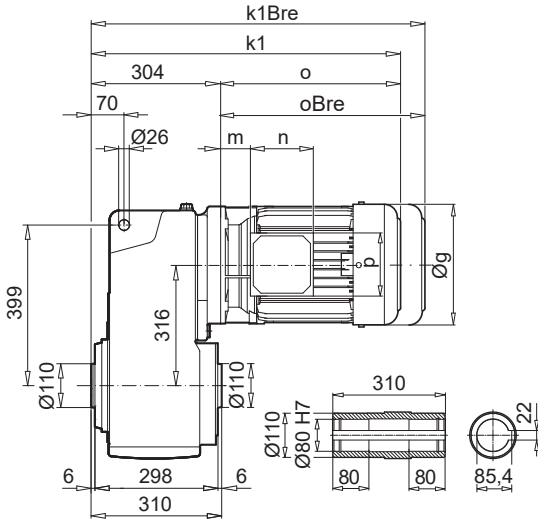
⇒ A61	132 MP	160 SP/MP	160 LP	180 MP/LP	225 RP	225 SP/MP		
g	266	320	320	357	443	443		
g1 / g1Bre	204 / 201	242 / 242	242 / 242	258 / 258	347 / 347	347 / 347		
k / kBre	902 / 1009	959 / 1094	1003 / 1138	1081 / 1209	1209 / 1389	1209 / 1389		
k1 / k1Bre	732 / 839	789 / 924	833 / 968	911 / 1039	1039 / 1219	1039 / 1219		
k2 / k2Bre	777 / 884	834 / 969	878 / 1013	956 / 1083	1084 / 1264	1084 / 1264		
o / oBre	435 / 542	492 / 627	536 / 671	614 / 742	742 / 922	742 / 922		
m / mBre	71 / 64	52 / 52	52 / 52	54 / 54	94 / 94	94 / 94		
n / nBre	122 / 185	186 / 186	186 / 186	186 / 186	245 / 245	245 / 245		
p / pBre	122 / 139	186 / 186	186 / 186	186 / 186	245 / 245	245 / 245		



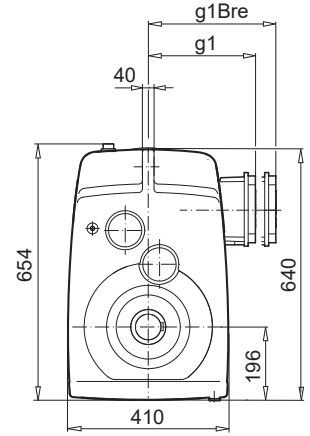
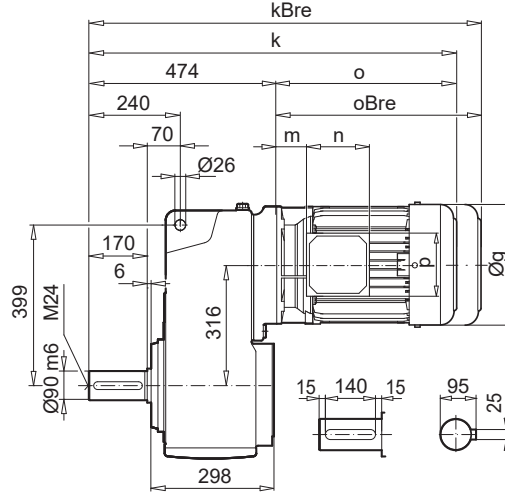
Parallel shaft gear units



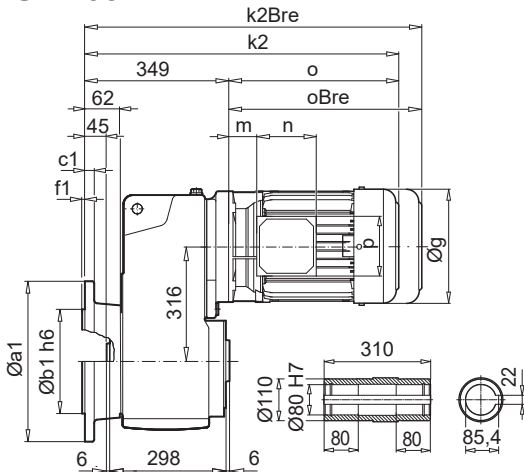
SK 7382A



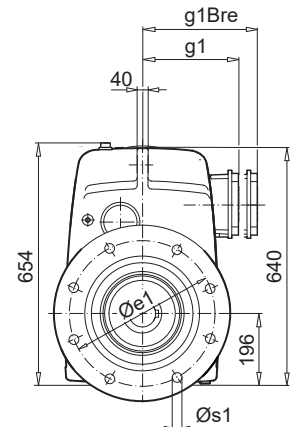
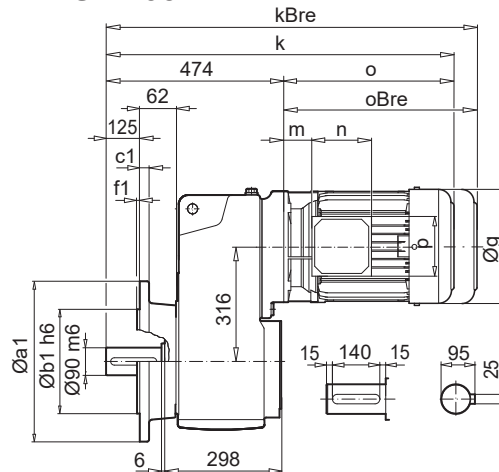
SK 7382V



SK 7382AF

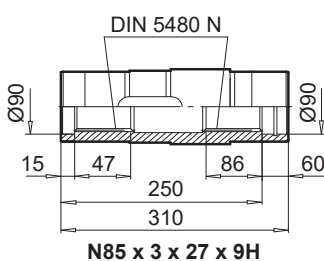


SK 7382VF

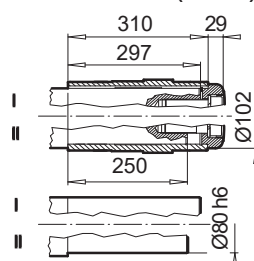


a1	b1	c1	e1	f1	s1
450	350	22	400	5	8 x 18
550	450	28	500	5	8 x 18

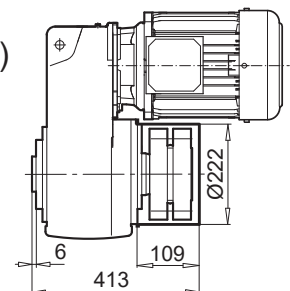
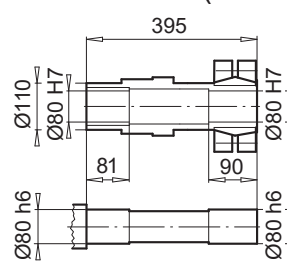
SK 7382EA



SK 7382AB (AFB)



SK 7382ASH (AFSH)



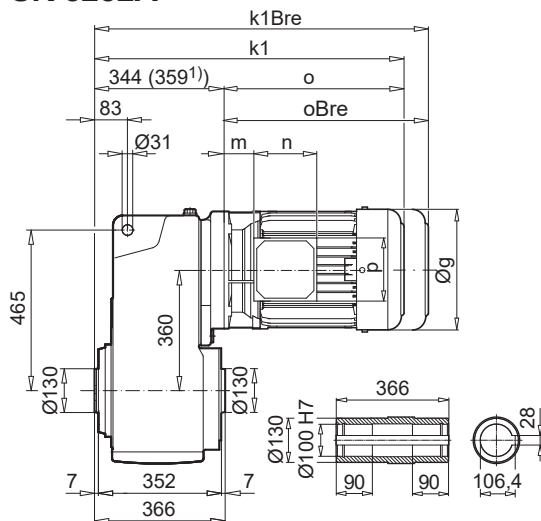
Parallel shaft gear units

⇒ A61	100 LP/AP	112 MP	132 SP/MP	160 SP/MP	160 LP	180 MP/LP	225 RP	225 SP/MP	
g	201	228	266	320	320	357	443	443	
g1 / g1Bre	169 / 173	179 / 182	204 / 201	242 / 242	242 / 242	258 / 258	347 / 347	347 / 347	
k / kBre	780 / 871	825 / 918	909 / 1016	966 / 1101	1010 / 1145	1088 / 1216	1216 / 1396	1216 / 1396	
k1 / k1Bre	610 / 701	655 / 748	739 / 846	796 / 931	840 / 975	918 / 1046	1046 / 1226	1046 / 1226	
k2 / k2Bre	655 / 746	700 / 793	784 / 891	841 / 976	885 / 1020	963 / 1090	1091 / 1271	1091 / 1271	
o / oBre	306 / 397	351 / 444	435 / 542	492 / 627	536 / 671	614 / 742	742 / 922	742 / 922	
m / mBre	32 / 36	35 / 38	71 / 64	52 / 52	52 / 52	54 / 54	94 / 94	94 / 94	
n / nBre	114 / 153	114 / 153	122 / 185	186 / 186	186 / 186	186 / 186	245 / 245	245 / 245	
p / pBre	114 / 108	114 / 108	122 / 139	186 / 186	186 / 186	186 / 186	245 / 245	245 / 245	

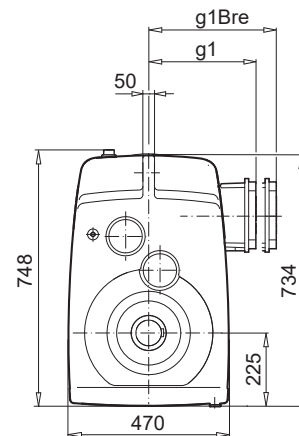
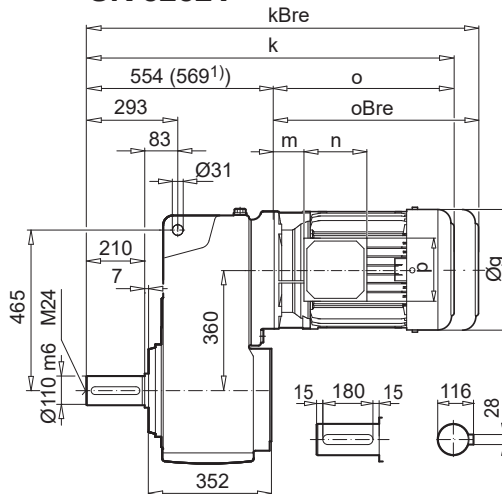
SK 8282



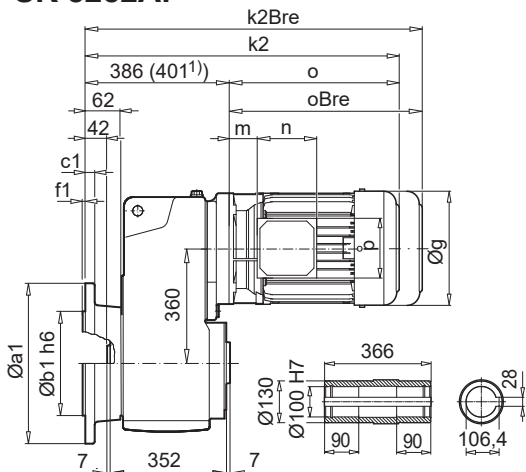
SK 8282A



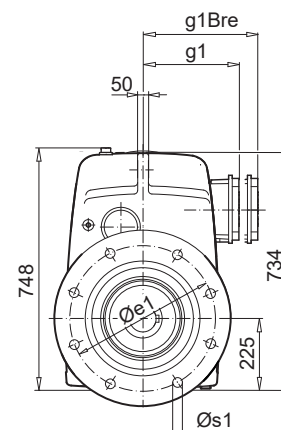
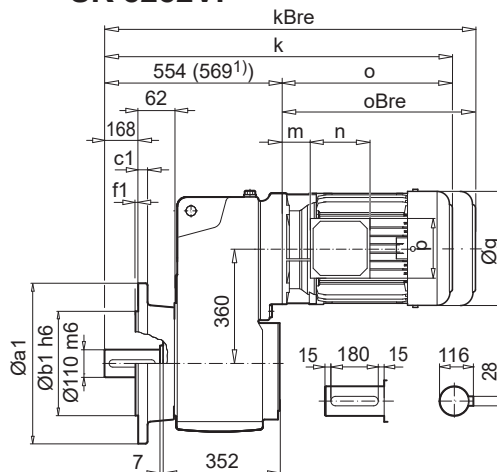
SK 8282V



SK 8282AF

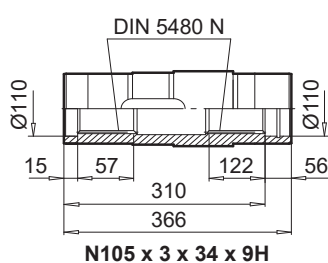


SK 8282VF

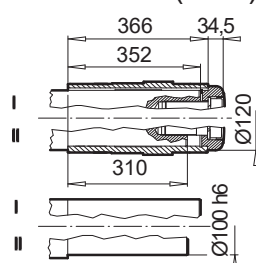


a1	b1	c1	e1	f1	s1
550	450	28	500	5	8 x 18

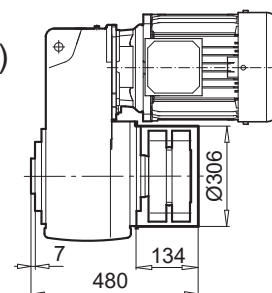
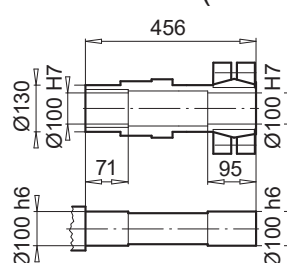
SK 8282EA



SK 8282AB (AFB)

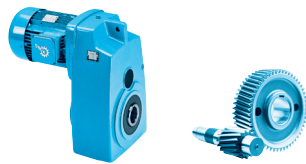


SK 8282ASH (AFSH)

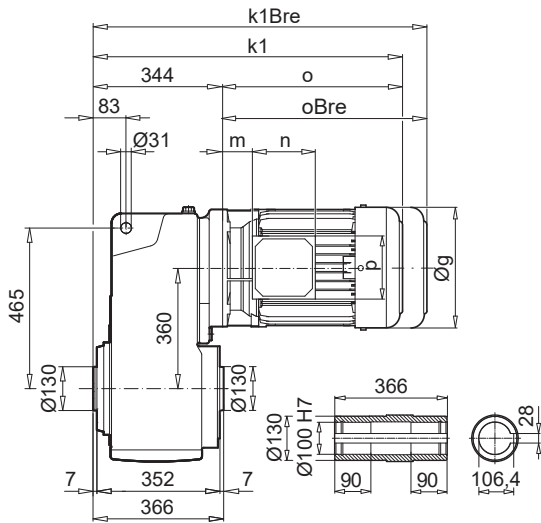


⇒ A61	132 MP	160 SP/MP	160 LP	180 MP/LP	225 RP	225 SP/MP	250 WP 1)	280 SP 1)	
g	266	320	320	357	443	443	443	551	D88 A12
g1 / g1Bre	204 / 201	242 / 242	242 / 242	258 / 258	347 / 347	347 / 347	347 / 347	432 / 432	
k / kBre	989 / 1096	1046 / 1181	1090 / 1225	1168 / 1296	1296 / 1476	1296 / 1476	1311 / 1491	1399 / 1579	
k1 / k1Bre	779 / 886	836 / 971	880 / 1015	958 / 1086	1086 / 1266	1086 / 1266	1101 / 1281	1189 / 1369	
k2 / k2Bre	821 / 928	878 / 1013	922 / 1057	1000 / 1128	1128 / 1308	1128 / 1308	1143 / 1323	1231 / 1411	
o / oBre	435 / 542	492 / 627	536 / 671	614 / 742	742 / 922	742 / 922	742 / 922	830 / 1010	
m / mBre	71 / 64	52 / 52	52 / 52	54 / 54	94 / 94	94 / 94	94 / 94	104 / 104	
n / nBre	122 / 185	186 / 186	186 / 186	186 / 186	245 / 245	245 / 245	245 / 245	233 / 233	
p / pBre	122 / 139	186 / 186	186 / 186	186 / 186	245 / 245	245 / 245	245 / 245	319 / 319	

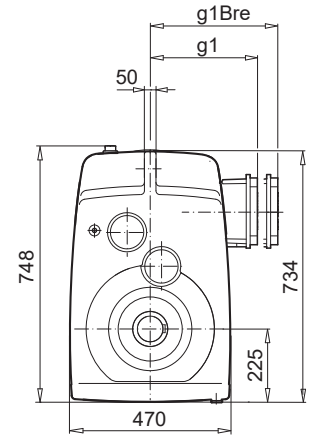
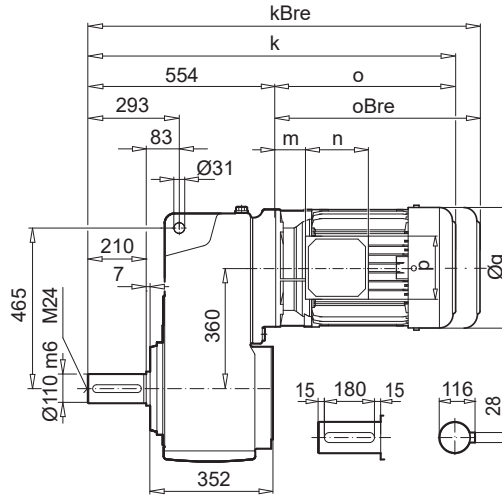
Parallel shaft gear units



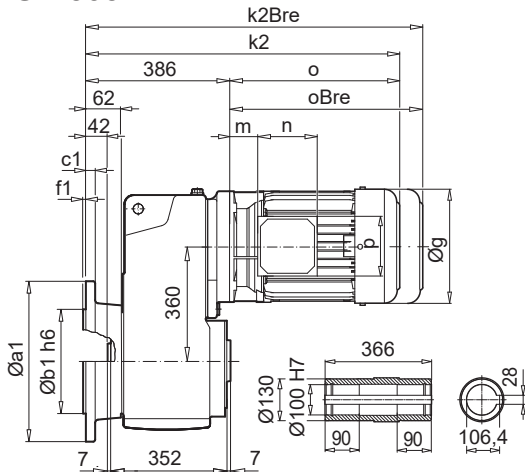
SK 8382A



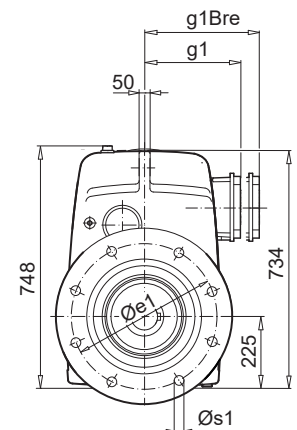
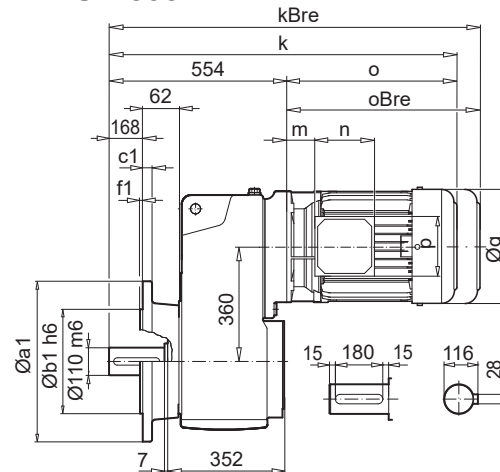
SK 8382V



SK 8382AF

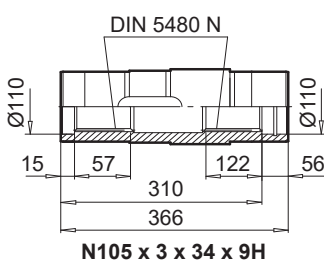


SK 8382VF

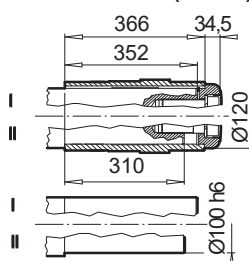


a1	b1	c1	e1	f1	s1
550	450	28	500	5	8 x 18

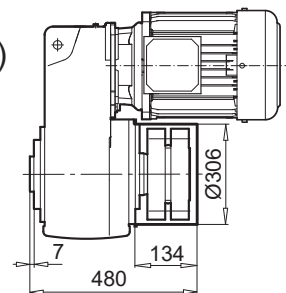
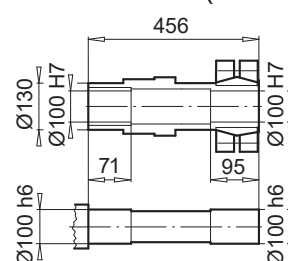
SK 8382EA



SK 8382AB (AFB)



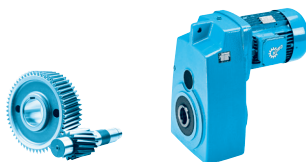
SK 8382ASH (AFSH)



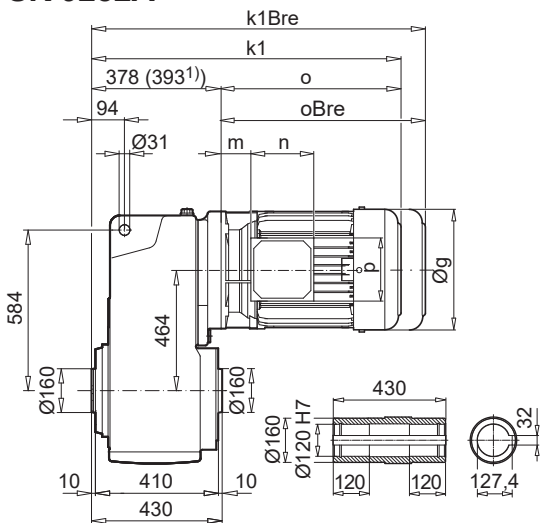
Parallel shaft gear units

⇒ A61	100 LP/AP	112 MP	132 SP/MP	160 SP/MP	160 LP	180 MP/LP	225 RP	225 SP/MP	
g	201	228	266	320	320	357	443	443	
g1 / g1Bre	169 / 173	179 / 182	204 / 201	242 / 242	242 / 242	258 / 258	347 / 347	347 / 347	
k / kBre	860 / 951	905 / 998	989 / 1096	1046 / 1181	1090 / 1225	1168 / 1296	1296 / 1476	1296 / 1476	
k1 / k1Bre	650 / 741	695 / 788	779 / 886	836 / 971	880 / 1015	958 / 1086	1086 / 1266	1086 / 1266	
k2 / k2Bre	692 / 783	737 / 830	821 / 928	878 / 1013	922 / 1057	1000 / 1128	1128 / 1308	1128 / 1308	
o / oBre	306 / 397	351 / 444	435 / 542	492 / 627	536 / 671	614 / 742	742 / 922	742 / 922	
m / mBre	32 / 36	35 / 38	71 / 64	52 / 52	52 / 52	54 / 54	94 / 94	94 / 94	
n / nBre	114 / 153	114 / 153	122 / 185	186 / 186	186 / 186	186 / 186	245 / 245	245 / 245	
p / pBre	114 / 108	114 / 108	122 / 139	186 / 186	186 / 186	186 / 186	245 / 245	245 / 245	

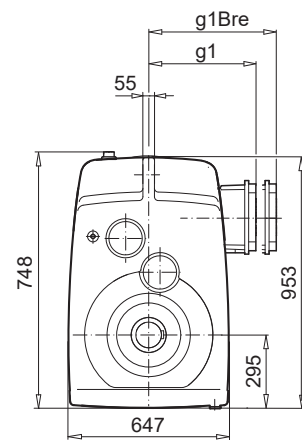
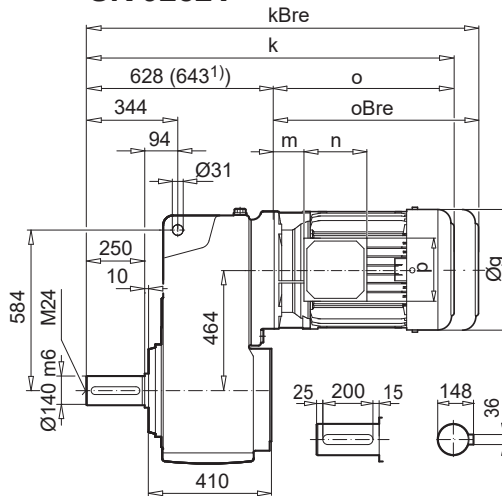
SK 9282



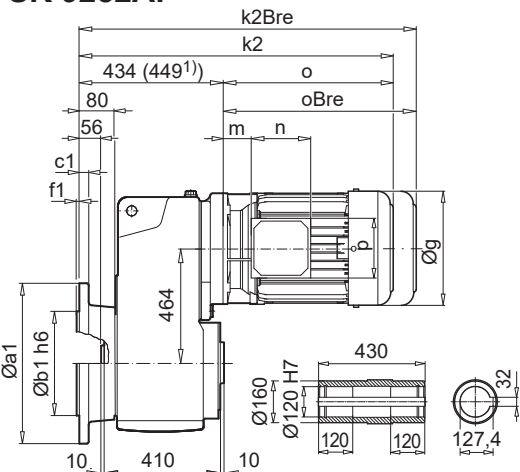
SK 9282A



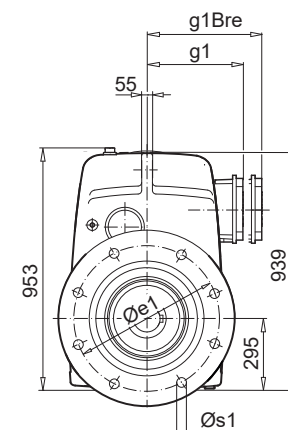
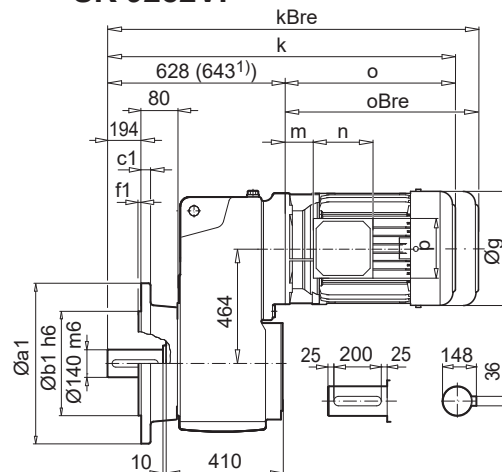
SK 9282V



SK 9282AF

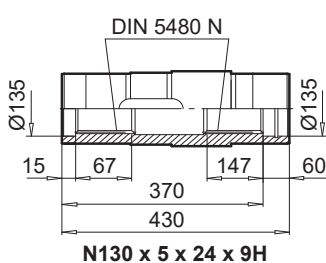


SK 9282VF

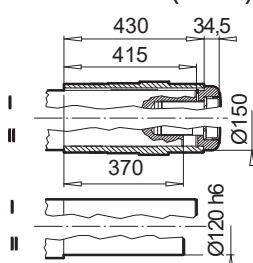


a1	b1	c1	e1	f1	s1
660	550	32	600	6	8 x 22

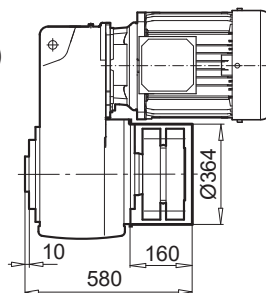
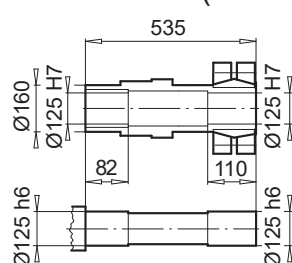
SK 9282EA



SK 9282AB (AFB)

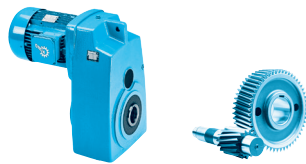


SK 9282ASH (AFSH)

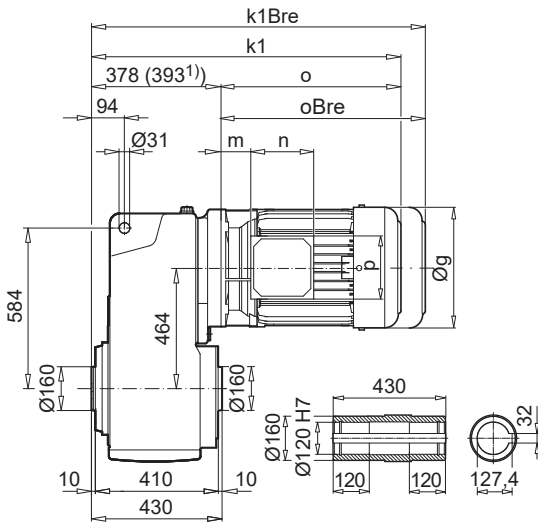


↗ A61	225 RP	225 SP/MP	250 WP 1)	280 SP 1)	280 MP 1)	315 SP 1)	315 MP/RP 1)	
g	443	443	443	551	551	616	616	
g1 / g1Bre	347 / 347	347 / 347	347 / 347	432 / 432	434 / 434	516 / -	516 / -	
k / kBre	1370 / 1550	1370 / 1550	1385 / 1565	1473 / 1653	1573 / 1753	1555 / -	1720 / -	
k1 / k1Bre	1120 / 1300	1120 / 1300	1135 / 1315	1223 / 1403	1323 / 1503	1305 / -	1470 / -	
k2 / k2Bre	1176 / 1356	1176 / 1356	1191 / 1371	1279 / 1459	1379 / 1559	1361 / -	1526 / -	
o / oBre	742 / 922	742 / 922	742 / 922	830 / 1010	930 / 1110	912 / -	1077 / -	
m / mBre	94 / 94	94 / 94	94 / 94	104 / 104	94 / 94	89 / -	89 / -	
n / nBre	245 / 245	245 / 245	245 / 245	233 / 233	233 / 233	299 / -	299 / -	
p / pBre	245 / 245	245 / 245	245 / 245	319 / 319	319 / 319	420 / -	420 / -	

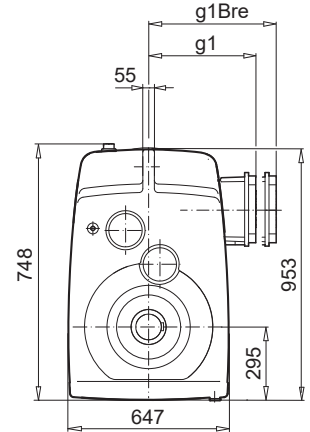
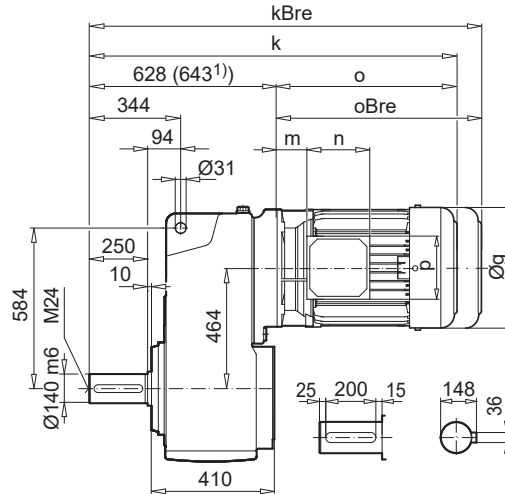
Parallel shaft gear units



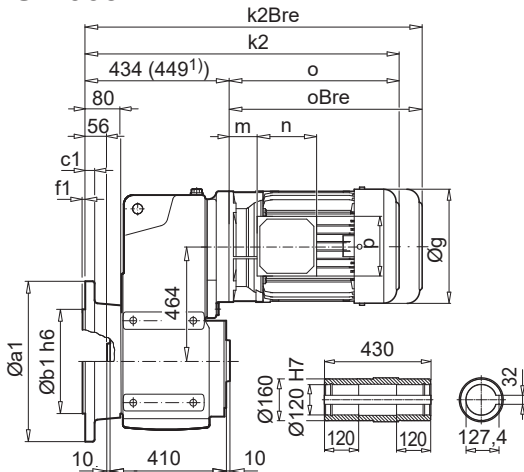
SK 9382A



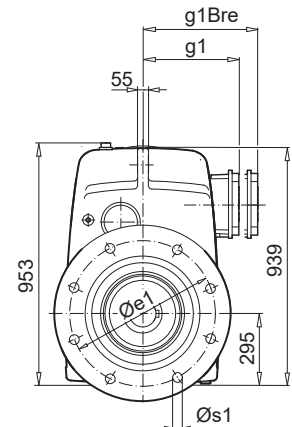
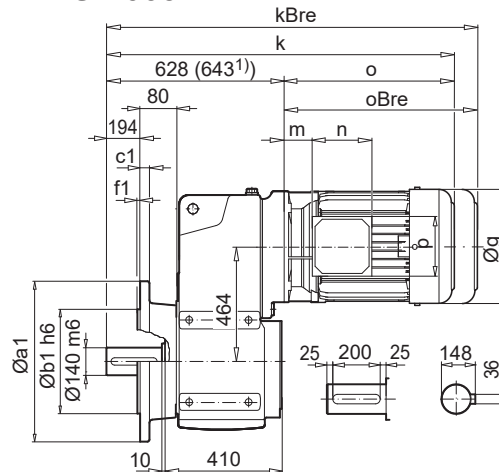
SK 9382V



SK 9382AF

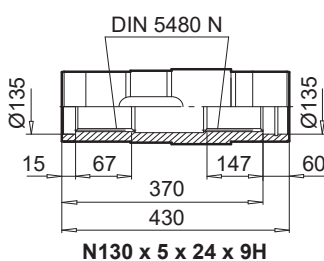


SK 9382VF

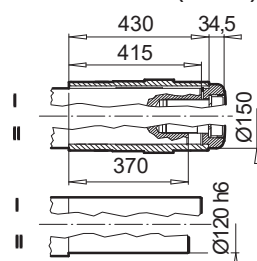


a1	b1	c1	e1	f1	s1
660	550	32	600	6	8 x 22

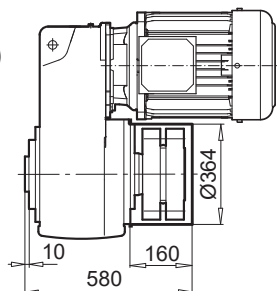
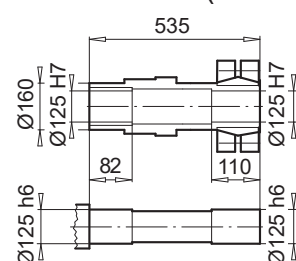
SK 9382EA



SK 9382AB (AFB)



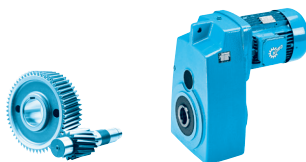
SK 9382ASH (AFSH)



Parallel shaft gear units

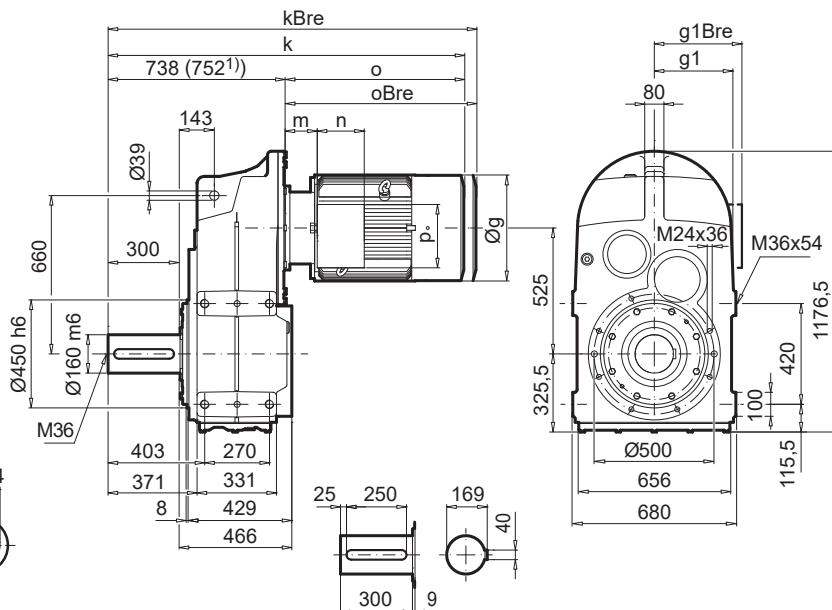
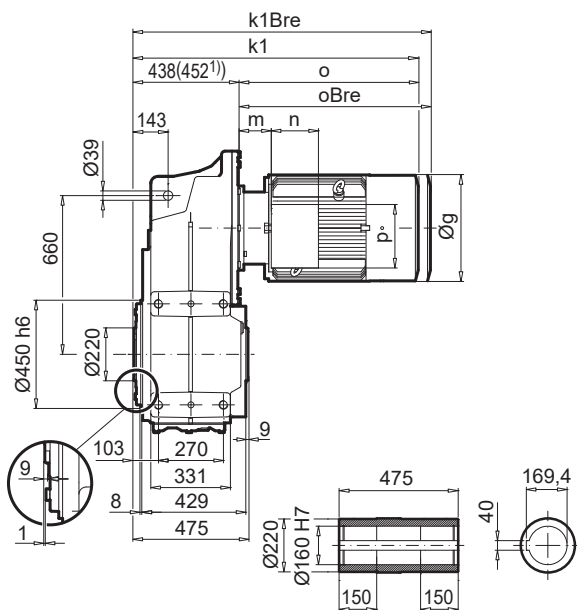
⇒ A61	100 AP	112 MP	132 SP/MP	160 SP/MP	160 LP	180 MP/LP	225 RP	225 SP/MP	250 WP ¹⁾	280 SP ¹⁾	
g	201	228	266	320	320	357	443	443	443	551	
g1 / g1Bre	169 / 173	179 / 182	204 / 201	242 / 242	242 / 242	258 / 258	347 / 347	347 / 347	347 / 347	432 / 432	
k / kBre	934 / 1025	979 / 1072	1063 / 1170	1120 / 1255	1164 / 1299	1242 / 1370	1370 / 1550	1370 / 1550	1385 / 1565	1473 / 1653	
k1 / k1Bre	684 / 775	729 / 822	813 / 920	870 / 1005	914 / 1049	992 / 1120	1120 / 1300	1120 / 1300	1135 / 1315	1223 / 1403	
k2 / k2Bre	740 / 831	785 / 878	869 / 976	926 / 1061	970 / 1105	1048 / 1176	1176 / 1356	1176 / 1356	1191 / 1371	1279 / 1459	
o / oBre	306 / 397	351 / 444	435 / 542	492 / 627	536 / 671	614 / 742	742 / 922	742 / 922	742 / 922	830 / 1010	
m / mBre	32 / 36	35 / 38	71 / 64	52 / 52	52 / 52	54 / 54	94 / 94	94 / 94	94 / 94	104 / 104	
n / nBre	114 / 153	114 / 153	122 / 185	186 / 186	186 / 186	186 / 186	245 / 245	245 / 245	245 / 245	233 / 233	
p / pBre	114 / 108	114 / 108	122 / 139	186 / 186	186 / 186	186 / 186	245 / 245	245 / 245	245 / 245	319 / 319	

SK 10382.1



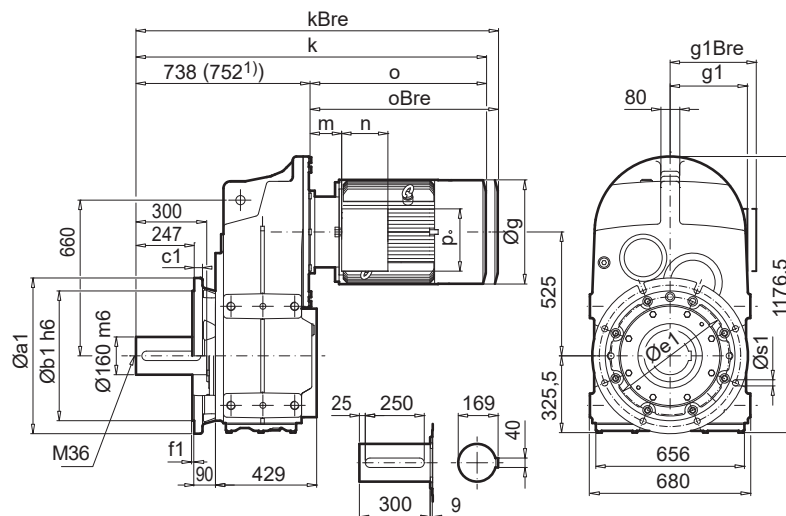
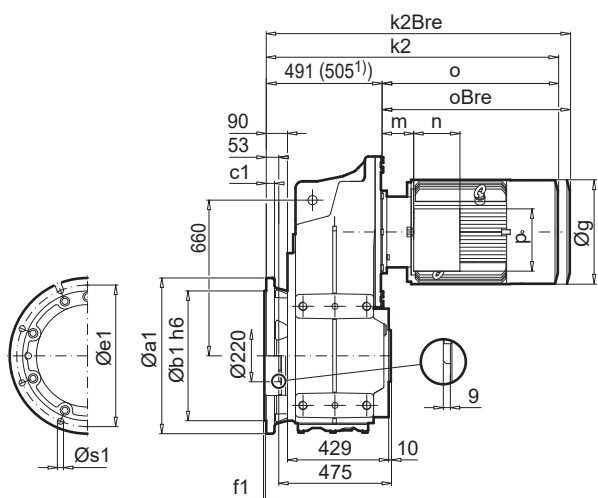
SK 10382.1AZ

SK 10382.1VZ







SK 10382.1AF

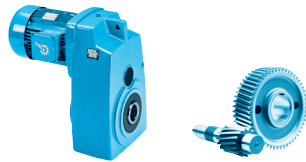
SK 10382.1VF



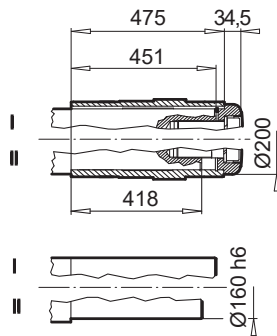
Parallel shaft gear units

a1	b1	c1	e1	f1	s1
660	550	35	600	8	6 x 26

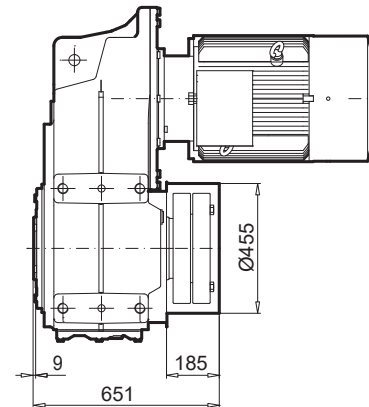
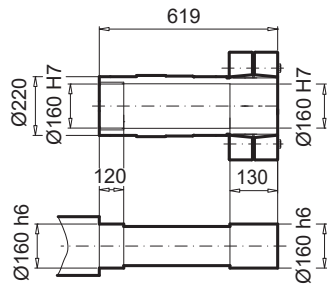
⇒ A61	160 SP/MP	160 LP	180 MP	225 RP	225 SP/MP	250 WP ¹⁾	280 SP ¹⁾	280 MP ¹⁾	315 SP ¹⁾	315 MP/RP ¹⁾	
g	320	320	357	443	443	443	551	551	616	616	
g1 / g1Bre	242 / 242	242 / 242	258 / 258	347 / 347	347 / 347	347 / 347	432 / 432	434 / 434	516 / -	516 / -	
k / kBre	1230 / 1365	1274 / 1409	1352 / 1480	1480 / 1660	1480 / 1660	1494 / 1674	1582 / 1762	1682 / 1862	1664 / -	1829 / -	
k1 / k1Bre	930 / 1065	974 / 1109	1052 / 1180	1180 / 1360	1180 / 1360	1194 / 1374	1282 / 1462	1382 / 1562	1364 / -	1529 / -	
k2 / k2Bre	983 / 1118	1027 / 1162	1105 / 1233	1233 / 1413	1233 / 1413	1247 / 1427	1335 / 1515	1435 / 1615	1417 / -	1582 / -	
o / oBre	492 / 627	536 / 671	614 / 742	742 / 922	742 / 922	742 / 922	830 / 1010	930 / 1110	912 / -	1077 / -	
m / mBre	52 / 52	52 / 52	54 / 54	94 / 94	94 / 94	94 / 94	104 / 104	94 / 94	89 / -	89 / -	
n / nBre	186 / 186	186 / 186	186 / 186	245 / 245	245 / 245	245 / 245	233 / 233	233 / 233	299 / -	299 / -	
p / pBre	186 / 186	186 / 186	186 / 186	245 / 245	245 / 245	245 / 245	319 / 319	319 / 319	420 / -	420 / -	



SK 10382.1AZB

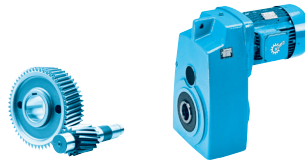


SK 10382.1AZSH



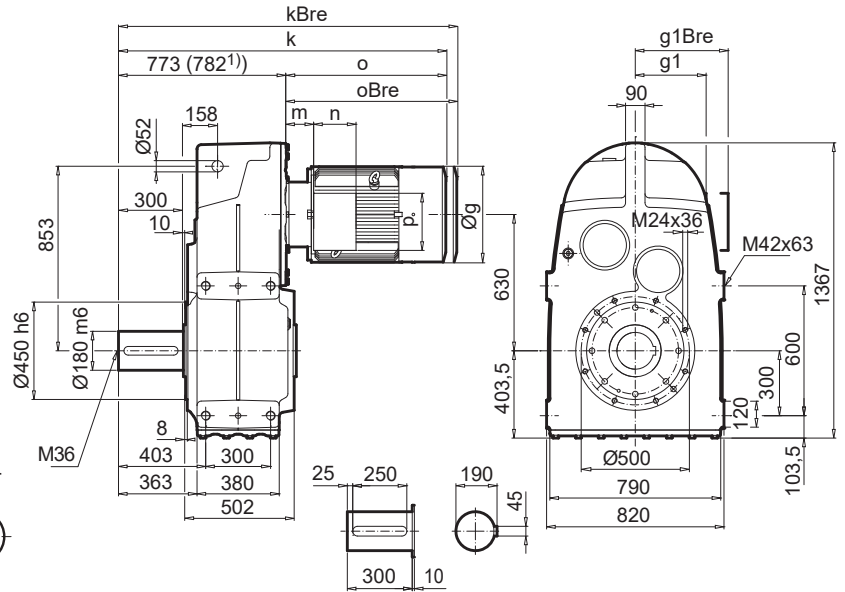
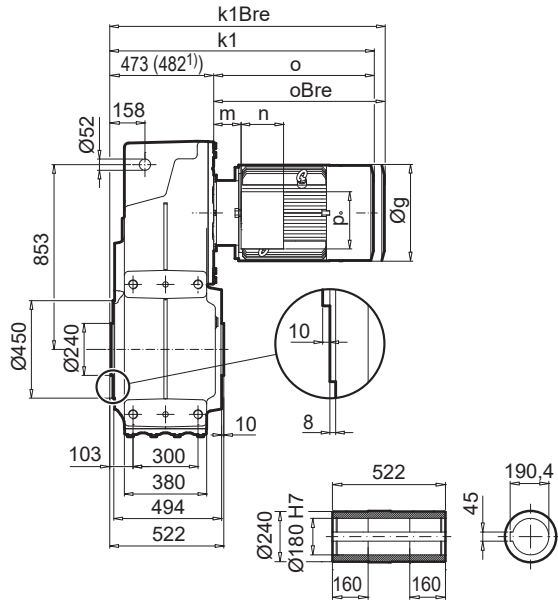
⇒ A61	160 SP/MP	160 LP	180 MP	225 RP	225 SP/MP	250 WP ¹⁾	280 SP ¹⁾	280 MP ¹⁾	315 SP ¹⁾	315 MP/RP ¹⁾	 D89 A12
g	320	320	357	443	443	443	551	551	616	616	
g1 / g1Bre	242 / 242	242 / 242	258 / 258	347 / 347	347 / 347	347 / 347	432 / 432	434 / 434	516 / -	516 / -	
k1 / k1Bre	930 / 1065	974 / 1109	1052 / 1180	1180 / 1360	1180 / 1360	1194 / 1374	1282 / 1462	1382 / 1562	1364 / -	1529 / -	
k2 / k2Bre	983 / 1118	1027 / 1162	1105 / 1233	1233 / 1413	1233 / 1413	1247 / 1427	1335 / 1515	1435 / 1615	1417 / -	1582 / -	
o / oBre	492 / 627	536 / 671	614 / 742	742 / 922	742 / 922	742 / 922	830 / 1010	930 / 1110	912 / -	1077 / -	
m / mBre	52 / 52	52 / 52	54 / 54	94 / 94	94 / 94	94 / 94	104 / 104	94 / 94	89 / -	89 / -	
n / nBre	186 / 186	186 / 186	186 / 186	245 / 245	245 / 245	245 / 245	233 / 233	233 / 233	299 / -	299 / -	
p / pBre	186 / 186	186 / 186	186 / 186	245 / 245	245 / 245	245 / 245	319 / 319	319 / 319	420 / -	420 / -	

SK 11382.1



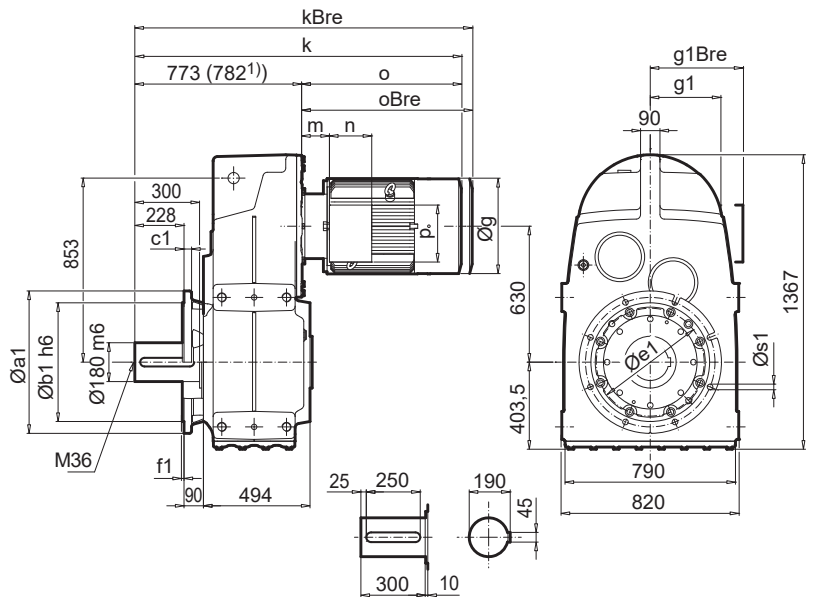
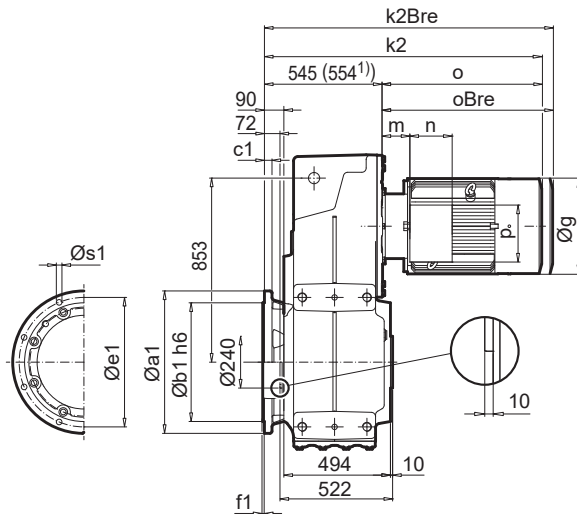
SK 11382.1AZ

SK 11382.1VZ



SK 11382.1AF

SK 11382.1VF



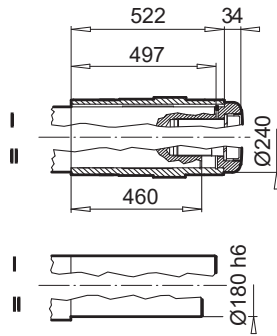
Parallel shaft gear units

a1	b1	c1	e1	f1	s1
660	550	35	600	8	6 x 26

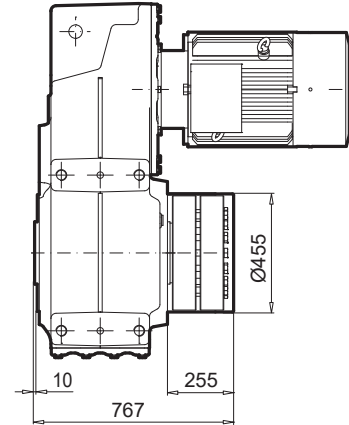
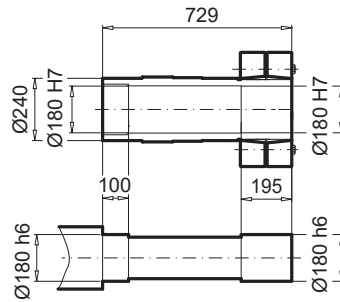
⇒ A61	160 LP	180 LP	225 RP	225 SP/MP	250 WP ¹⁾	280 SP ¹⁾	280 MP ¹⁾	315 SP ¹⁾	315 MP/RP/LP ¹⁾	
g	320	357	443	443	443	551	551	616	616	
g1 / g1Bre	242 / 242	258 / 258	347 / 347	347 / 347	347 / 347	432 / 432	434 / 434	516 / -	516 / -	
k / kBre	1309 / 1444	1387 / 1515	1515 / 1695	1515 / 1695	1525 / 1704	1612 / 1792	1712 / 1892	1694 / -	1859 / -	
k1 / k1Bre	1009 / 1144	1087 / 1215	1215 / 1395	1215 / 1395	1224 / 1404	1312 / 1492	1412 / 1592	1394 / -	1559 / -	
k2 / k2Bre	1081 / 1216	1159 / 1287	1287 / 1467	1287 / 1467	1296 / 1476	1384 / 1564	1484 / 1664	1466 / -	1631 / -	
o / oBre	536 / 671	614 / 742	742 / 922	742 / 922	742 / 922	830 / 1010	930 / 1110	912 / -	1077 / -	
m / mBre	52 / 52	54 / 54	94 / 94	94 / 94	94 / 94	104 / 104	94 / 94	89 / -	89 / -	
n / nBre	186 / 186	186 / 186	245 / 245	245 / 245	245 / 245	233 / 233	233 / 233	299 / -	299 / -	
p / pBre	186 / 186	186 / 186	245 / 245	245 / 245	245 / 245	319 / 319	319 / 319	420 / -	420 / -	



SK 11382.1AZB

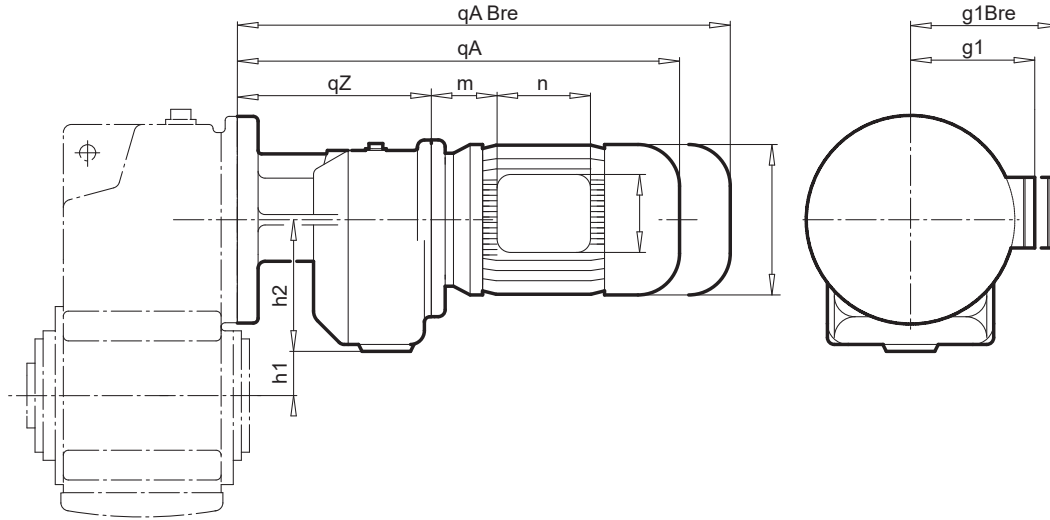
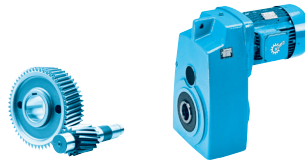


SK 11382.1AZSH



⇒ A61	160 LP	180 LP	225 RP	225 SP/MP	250 WP ¹⁾	280 SP ¹⁾	280 MP ¹⁾	315 SP ¹⁾	315 MP/RP/LP ¹⁾	
g	320	357	443	443	443	551	551	616	616	
g1 / g1Bre	242 / 242	258 / 258	347 / 347	347 / 347	347 / 347	432 / 432	434 / 434	516 / -	516 / -	
k1 / k1Bre	1009 / 1144	1087 / 1215	1215 / 1395	1215 / 1395	1224 / 1404	1312 / 1492	1412 / 1592	1394 / -	1559 / -	
k2 / k2Bre	1081 / 1216	1159 / 1287	1287 / 1467	1287 / 1467	1296 / 1476	1384 / 1564	1484 / 1664	1466 / -	1631 / -	
o / oBre	536 / 671	614 / 742	742 / 922	742 / 922	742 / 922	830 / 1010	930 / 1110	912 / -	1077 / -	
m / mBre	52 / 52	54 / 54	94 / 94	94 / 94	94 / 94	104 / 104	94 / 94	89 / -	89 / -	
n / nBre	186 / 186	186 / 186	245 / 245	245 / 245	245 / 245	233 / 233	233 / 233	299 / -	299 / -	
p / pBre	186 / 186	186 / 186	245 / 245	245 / 245	245 / 245	319 / 319	319 / 319	420 / -	420 / -	

SK 1282/02 - SK 9382/42



Parallel shaft gear units

⇒ A61	SK 1282/02	SK 2282/02		SK 3282/12					
	63 S	63 S/L	71 S/L	63 S/L	71 L	90 SP/LP			
g	130	130	145	130	145	184			
g1 / g1Bre	114 / 122	114 / 122	124 / 134	114 / 122	124 / 134	148 / 148			
qA / qABre	338 / 394	338 / 394	378 / 436	351 / 407	391 / 449	457 / 532			
o / oBre	196 / 252	196 / 252	236 / 294	196 / 252	236 / 294	302 / 377			
qz	142	142		155					
m / mBre	16 / 22	16 / 22	42 / 48	16 / 22	42 / 48	52 / 55			
n / nBre	100 / 134	100 / 134	100 / 134	100 / 134	100 / 134	114 / 153			
p / pBre	100 / 89	100 / 89	100 / 89	100 / 89	100 / 89	114 / 108			
h1 / h2	33 / 89	58 / 89		72 / 106					
⇒	SK 1282 ⇒ D61	SK 2282 ⇒ D62		SK 3282 ⇒ D64					

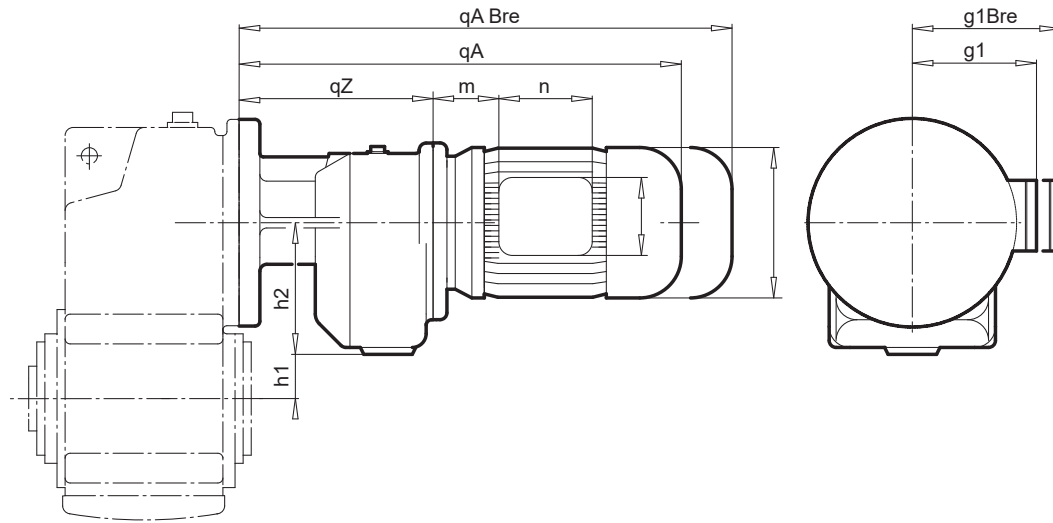
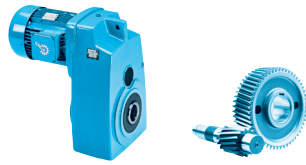


⇒ A61	SK 4282/12, SK 5282/12					SK 6382/22, SK 7382/22					
	63 S/L	71 S/L	80 SH	80 LP	100 LP	71 L	80 SH	80 LP	90 SP/LP	100 LP/AP	
g	130	145	164	164	202	145	164	164	184	202	
g1 / g1Bre	114 / 122	124 / 134	142 / 142	142 / 142	170 / 172	124 / 134	142 / 142	142 / 142	148 / 148	170 / 172	
qA / qABre	350 / 406	390 / 448	415 / 479	415 / 479	486 / 577	410 / 468	435 / 499	435 / 499	476 / 551	506 / 597	
o / oBre	196 / 252	236 / 294	261 / 325	261 / 325	332 / 423	230 / 288	255 / 319	255 / 319	296 / 371	326 / 417	
qz	154					180					
m / mBre	16 / 22	42 / 48	47 / 50	47 / 50	58 / 61	36 / 42	41 / 44	41 / 44	46 / 49	52 / 55	
n / nBre	100 / 134	100 / 134	114 / 153	114 / 153	114 / 153	100 / 134	114 / 153	114 / 153	114 / 153	114 / 153	
p / pBre	100 / 89	100 / 89	114 / 108	114 / 108	114 / 108	100 / 89	114 / 108	114 / 108	114 / 108	114 / 108	
h1 / h2	100 / 106					157 / 125					
⇒	SK 4282 ⇒ D66 , SK 5282 ⇒ D68					SK 6382 ⇒ D71 , SK 7382 ⇒ D73					



⇒ A61	SK 6382/32	SK 7382/32, SK 8382/32				SK 8382/42, SK 9382/42					
	90 LP	80 SH	80 LP	90 SP/LP	100 LP/AP	90 SP/LP	100 LP/AP	112 MP	132 SP/MP	160 SP	
g	184	164	164	184	202	184	202	226	264	319	
g1 / g1Bre	148 / 148	142 / 142	142 / 142	148 / 148	170 / 172	148 / 148	170 / 172	180 / 182	204 / 202	242 / 242	
qA / qABre	515 / 590	474 / 538	474 / 538	515 / 590	545 / 636	536 / 611	566 / 657	614 / 708	675 / 782	752 / 887	
o / oBre	296 / 371	255 / 319	255 / 319	296 / 371	326 / 417	276 / 351	306 / 397	354 / 448	415 / 522	492 / 627	
qz	219	219				260					
m / mBre	46 / 49	41 / 44	41 / 44	46 / 49	52 / 55	26 / 29	32 / 35	38 / 41	51 / 42	52 / 52	
n / nBre	114 / 153	114 / 153	114 / 153	114 / 153	114 / 153	114 / 153	114 / 153	114 / 153	122 / 185	186 / 186	
p / pBre	114 / 108	114 / 108	114 / 108	114 / 108	114 / 108	114 / 108	114 / 108	114 / 108	122 / 139	186 / 186	
h1 / h2	127 / 155	162 / 155				185 / 175					
⇒	SK 6382 ⇒ D71	SK 7382 ⇒ D73 , SK 8382 ⇒ D75				SK 8382 ⇒ D75 , SK 9382 ⇒ D77					





⇒ A61	SK 9382/52								
	132 SP/MP	160 SP/MP	180 MP						
g	264	319	357						
g1 / g1Bre	204 / 202	242 / 242	258 / 258						
qA / qABre	715 / 822	792 / 927	914 / 1042						
o / oBre	415 / 522	492 / 627	614 / 742						
qz	300								
m / mBre	51 / 42	52 / 52	54 / 54						
n / nBre	122 / 185	186 / 186	186 / 186						
p / pBre	122 / 139	186 / 186	186 / 186						
h1 / h2	252 / 212								
⇒	SK 9382 ⇒ D77								



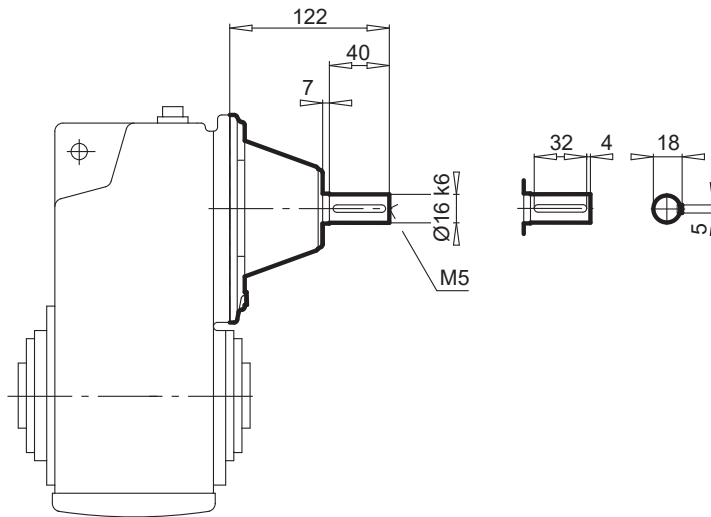
D89



A12



SK ... - W

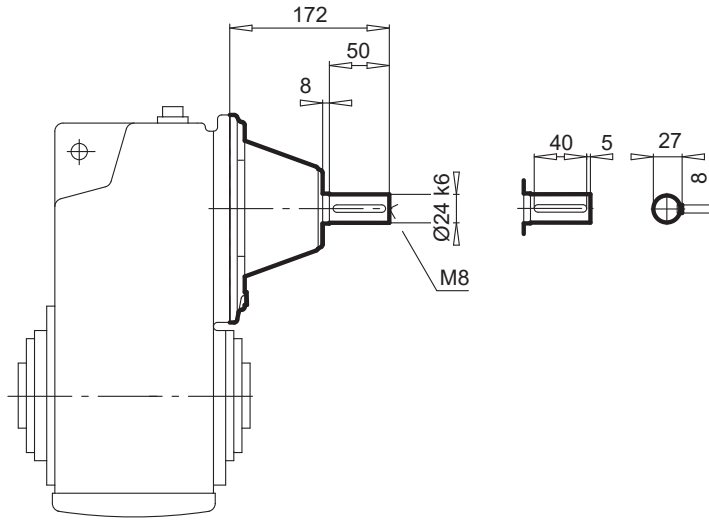


Parallel shaft
gear units

Type	→
SK 1282	D61
SK 2382	D63
SK 3382	D65
SK 1282/02	D82
SK 2282/02	D82
SK 3282/12	D82
SK 4282/12	D82
SK 5282/12	D82



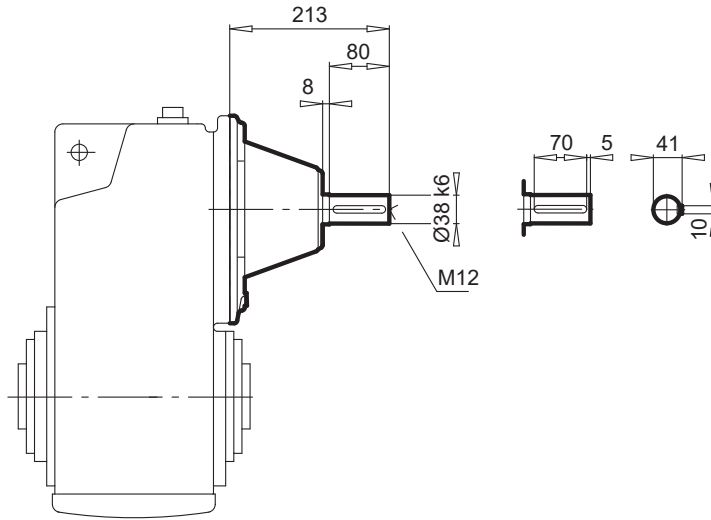
SK ... - W



Type	⇒
SK 2282	D62
SK 3282	D64
SK 4382	D67
SK 5382	D69
SK 6382/22	D82
SK 6382/32	D82
SK 7382/22	D82
SK 7382/32	D82
SK 8382/32	D82



SK ... - W

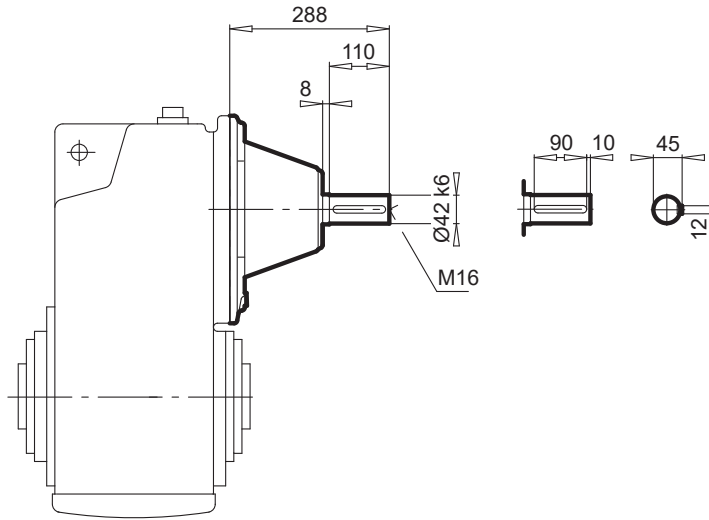


Parallel shaft
gear units

Type	→
SK 4282	D66
SK 5282	D68
SK 6382	D71
SK 8382/42	D82
SK 9382/42	D82
SK 9382/52	D86



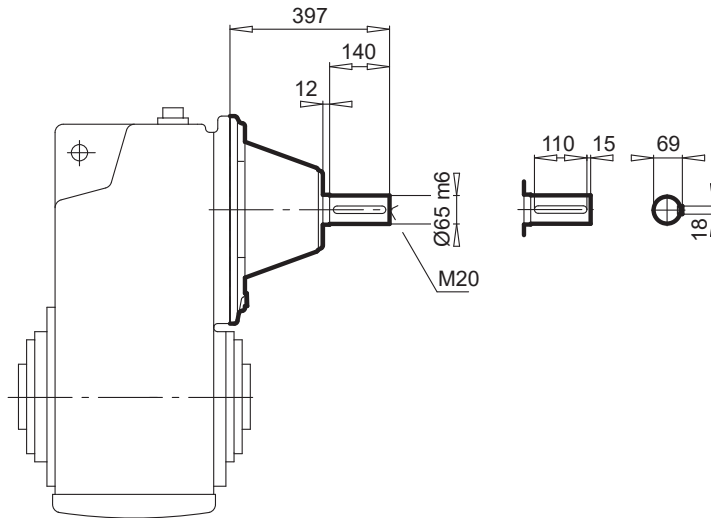
SK ... - W



Type	⇒
SK 6282	D70
SK 6382	D71
SK 7282	D72
SK 7382	D73
SK 8382	D75
SK 9382	D77



SK ... - W

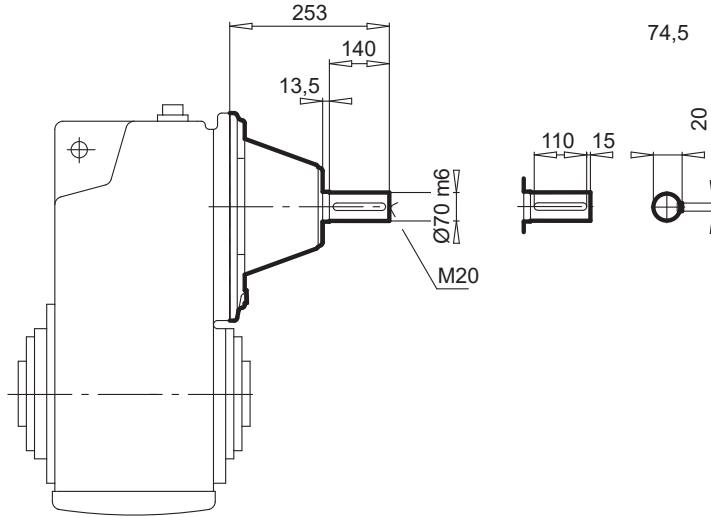


Parallel shaft
gear units

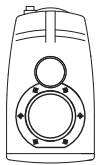
Type	⇒
SK 8282	D74
SK 8382	D75
SK 9282	D76
SK 9382	D77



SK ... - W



Type	→
SK 10382.1	D78-79
SK 11382.1	D80-81



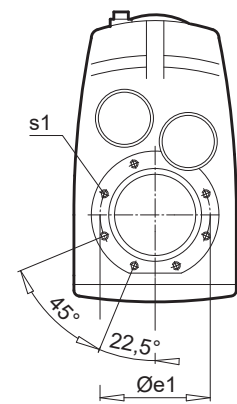
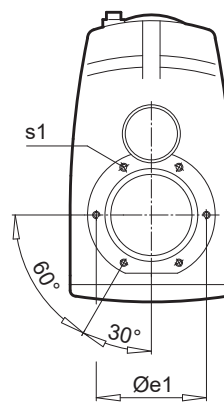
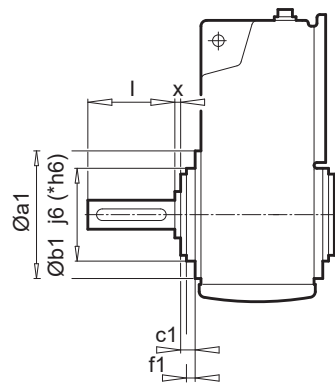
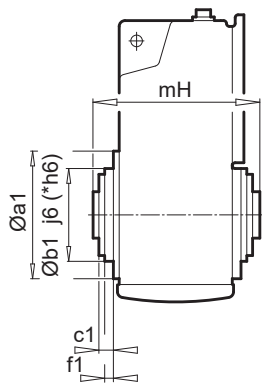
**AZ
VZ**



NORD
DRIVESYSTEMS

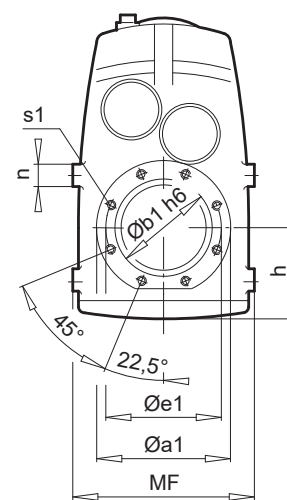
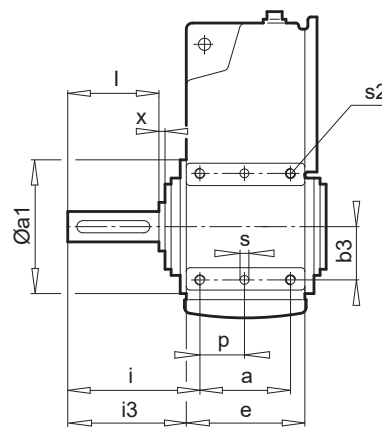
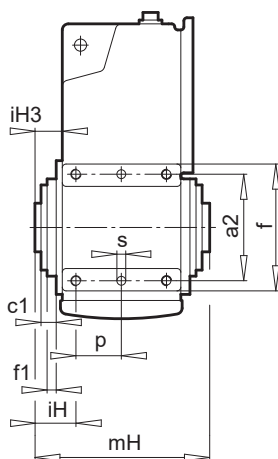
**SK 1282 AZ(VZ) -
SK 5382 AZ(VZ)**

**SK 6282 AZ(VZ) -
SK 8382 AZ(VZ)**



Parallel shaft
gear units

⇒ A61	a1	b1	c1	e1	f1	s1	mH	l	x
SK 1282 .Z	140	95	13	115	6,0	M8 x 13	122	60	4,0
SK 2282 .Z	160	110	12	130	5,0	M8 x 13	139	70	5,0
SK 3282 .Z	200	130	7,0	165	7,0	M10 x 16	174	90	6,0
SK 4282 .Z	230	160	11	194	5,0	M12 x 20	195	110	7,0
SK 5282 .Z	250	180	9,0	215	5,0	M12 x 20	230	130	7,5
SK 6282 .Z	300	230	11	265	4,0	M12 x 20	290	140	8,5
SK 7282 .Z	350	*250	11	300	5,0	M16 x 25	310	170	6,0
SK 8282 .Z	400	*300	13	350	5,0	M16 x 25	366	210	7,0

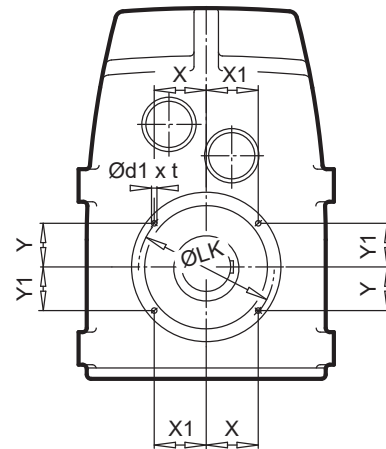
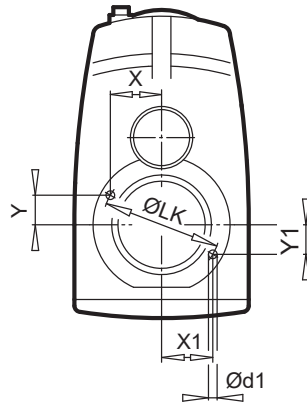
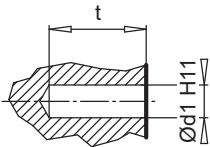


⇒ A61	a1	b1	c1	e1	f1	s1	a a2	e f	n p	s s2	h b3	i i3	iH iH3	MF	mH	l x
SK 9282 .Z	450	350	14	400	7,0	M20 x 30	245	306	80	$\varnothing 25 \times 30$	295	315	65	640	430	250
SK 9382 .Z							360	440	122,5	M30 x 45	180	283,5	33,5			10
SK 10382.1 .Z	⇒ D78-79															
SK 11382.1 .Z	⇒ D80-81															

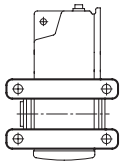


SK 1282 - SK 5382

SK 6282 - SK 11382.1



⇒ A61	$\varnothing d1^{H11} \times t$	LK	X	X1	Y	Y1
SK 1282 .Z	8 x 12	115	56,14	56,14	12,45	12,45
SK 2282 .Z	8 x 12	130	62,79	62,79	16,82	16,82
SK 2382 .Z	8 x 12	130	62,79	62,79	16,82	16,82
SK 3282 .Z	10 x 15	165	80,54	80,54	17,86	17,86
SK 3382 .Z	10 x 15	165	80,54	80,54	17,86	17,86
SK 4282 .Z	12 x 20	194	93,69	93,69	25,11	25,11
SK 4382 .Z	12 x 20	194	93,69	93,69	25,11	25,11
SK 5282 .Z	12 x 20	215	104,95	104,95	23,27	23,27
SK 5382 .Z	12 x 20	215	104,95	104,95	23,27	23,27
SK 6282 .Z	12 x 20	265	111,75	111,75	71,19	71,19
SK 6382 .Z	12 x 20	265	111,75	111,75	71,19	71,19
SK 7282 .Z	16 x 30	300	126,51	126,51	80,59	80,59
SK 7382 .Z	16 x 30	300	126,51	126,51	80,59	80,59
SK 8282 .Z	16 x 30	350	147,59	147,59	94,03	94,03
SK 8382 .Z	16 x 30	350	147,59	147,59	94,03	94,03
SK 9282 .Z	16 x 30	400	168,68	168,68	107,46	107,46
SK 9382 .Z	16 x 30	400	168,68	168,68	107,46	107,46
SK 10382.1 .Z	25 x 35	500	176,78	204,79	176,78	143,39
SK 11382.1 .Z	25 x 25	500	176,78	204,79	176,78	143,39



**AX
VX
AXSH**



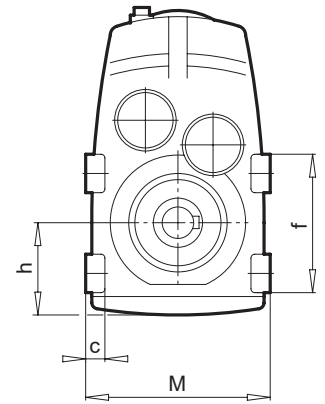
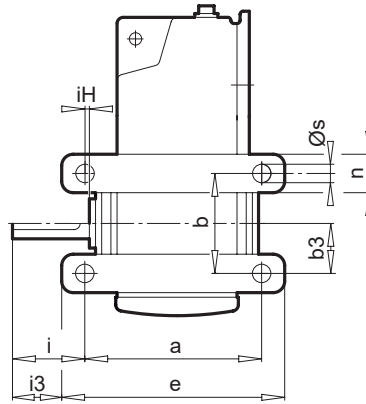
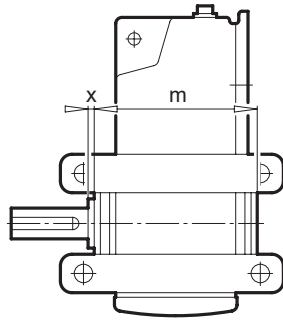
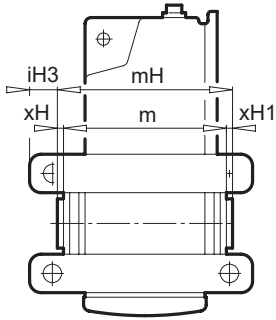
NORD
DRIVESYSTEMS

AX

VX

AX / VX

AX / VX



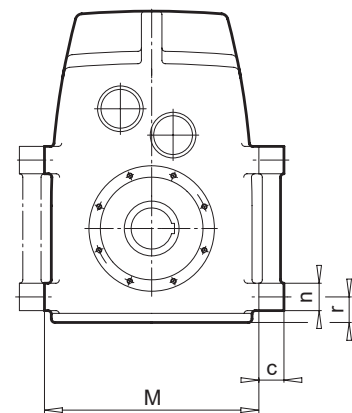
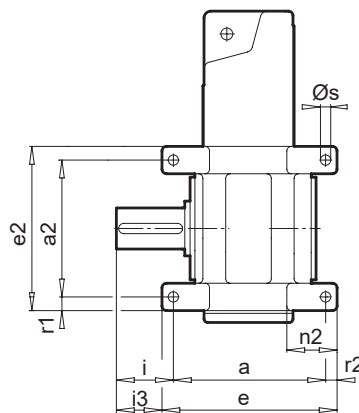
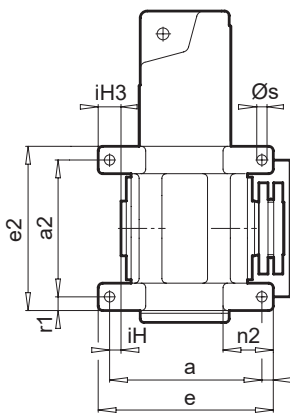
Parallel shaft gear units

⇒ A61	a	b	c	e	f	n	s	b3	h	i	i3	iH	iH3	m	mH	x	xH	xH1	M
SK 1282 .X	142	80	16	164	110	30	11	43	77	53,0	42,0	7,0	18,0	115	122	4,0	4,0	3,0	170
SK 2282 .X SK 2382 .X	165	80	20	195	116	36	13	49	90	64,5	49,5	5,5	20,5	126	139	5,0	5,0	8,0	200
SK 3282 .X SK 3382 .X	195	125	25	225	165	40	13	62	107	79,0	64,0	11,0	26,0	162	174	6,0	6,0	6,0	236
SK 4282 .X SK 4382 .X	220	125	28	260	170	45	18	73	123	100,5	80,5	9,5	29,5	181	195	7,0	7,0	7,0	280
SK 5282 .X SK 5382 .X	250	175	35	290	220	45	18	90	146	117,5	97,5	12,5	32,5	215	230	7,5	7,5	7,5	320
SK 6282 .X SK 6382 .X	330	195	40	390	265	70	26	101	172	122,5	92,5	26,0	56,0	273	290	8,5	8,5	8,5	360
SK 7282 .X SK 7382 .X	370	215	45	440	305	90	33	113	197	140,0	105,0	30,0	65,0	298	310	6,0	6,0	6,0	424
SK 8282 .X SK 8382 .X	420	240	60	500	350	110	33	124	225	184,0	144,0	26,0	66,0	352	366	7,0	7,0	7,0	500

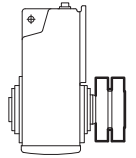
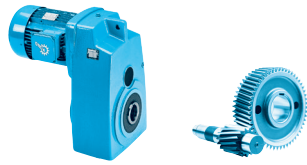
AXSH

VX

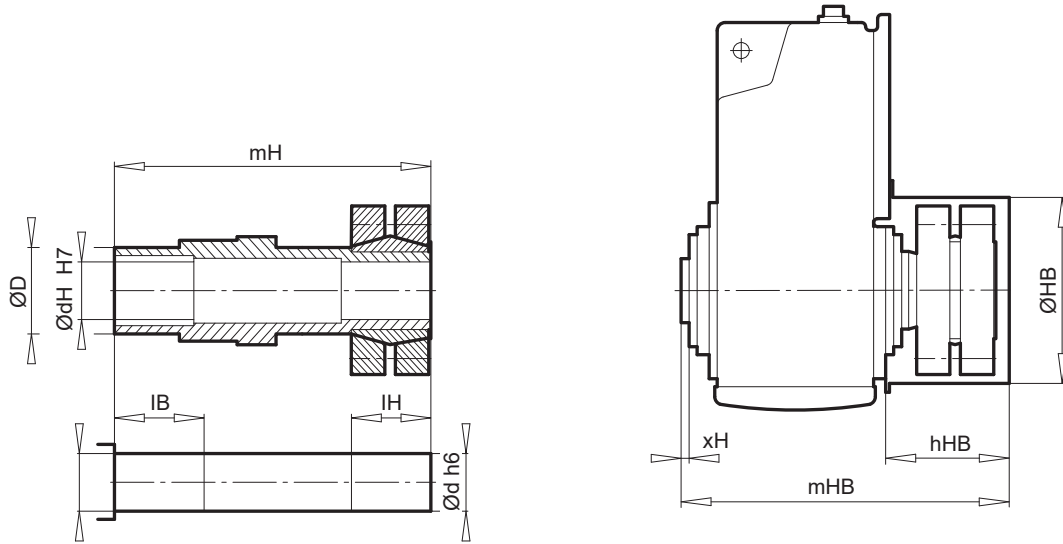
AXSH / VX



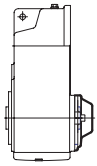
⇒ A61	a	a2	c	e	e2	n	n2	r	r1	r2	s	i	i3	iH	iH3	M
SK 9282 .X SK 9382 .X	470	360	70	570	460	100	190	115	50	50	45	225	175	25	75	640
SK 10382.1 .X	450	420	100	530	530	110	170	116	55	40	39	313	273	13	27	680
SK 11382.1 .X	500	600	170	600	720	120	200	91	60	50	45	308	258	8	42	820



SK ... AVSH → A32



⇒ A61	D	dH	d	IB	IH	mH	xH	hHB	HB	mHB
SK 7282 AVSH SK 7382 AVSH	110	85	85	56	120	429	6,0	147	258	446
SK 8282 AVSH SK 8382 AVSH	130	100	100	71,5	149	510	7,0	198	306	544
SK 9282 AVSH SK 9382 AVSH	160	130	130	82	182	607	10,0	235	364	631



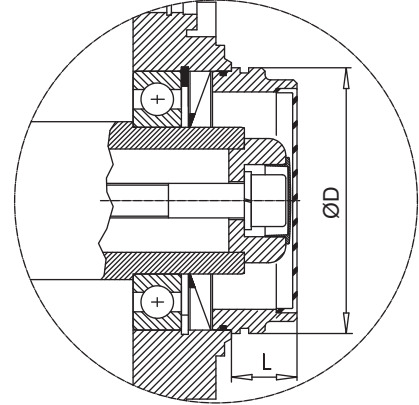
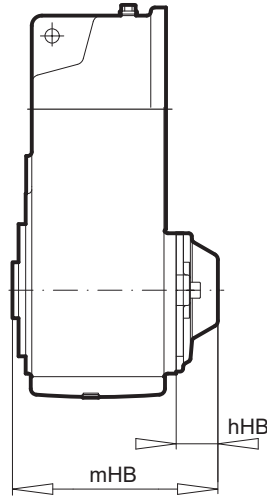
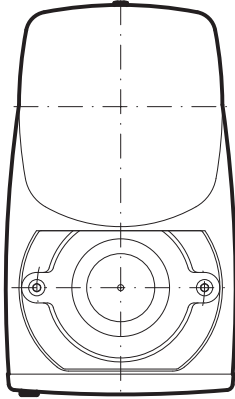
**AH
AZH**



NORD
DRIVESYSTEMS

**SK ... AH
SK ... AZH**

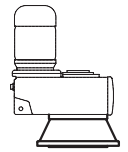
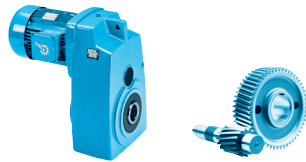
**SK ... AH 66
SK ... AZH 66**



⇒ A61		hHB	mHB
SK 1282	AH AZH	31	150
SK 2282	AH AZH	43	174
SK 2382	AH AZH		
SK 3282	AH AZH	45	213
SK 3382	AH AZH		
SK 4282	AH AZH	45	233
SK 4382	AH AZH		
SK 5282	AH AZH	53	276
SK 5382	AH AZH		
SK 6282	AH AZH	53	335
SK 6382	AH AZH		
SK 7282	AH AZH	53	357
SK 7382	AH AZH		
SK 8282	AH AZH	70	416
SK 8382	AH AZH		
SK 9282	AH AZH	84	480
SK 9382	AH AZH		
SK 10382.1	AZH	58	556
SK 11382.1	AZH	58	586

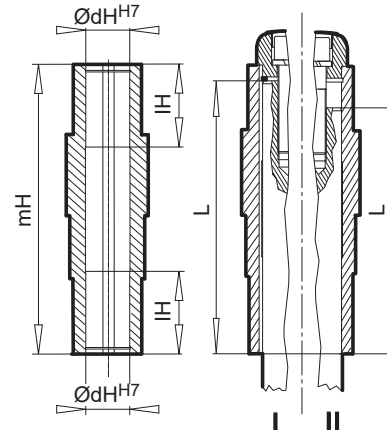
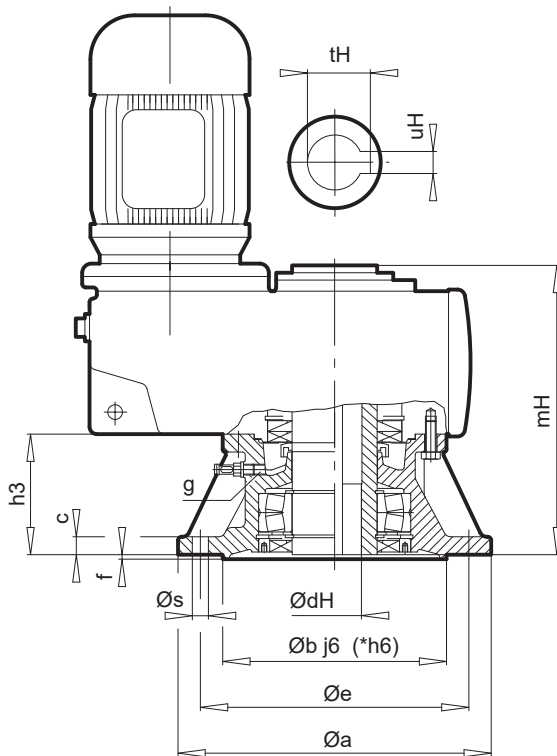
⇒ A61		Ø D	L
SK 1282	AH66 AZH66	80	25
SK 2282	AH66 AZH66	56	38
SK 3282	AH66 AZH66	104	35
SK 4282	AH66 AZH66	104	34
SK 5282	AH66 AZH66	154	38
SK 6282	AH66 AZH66	188	44
SK 7282	AH66 AZH66	215	35
SK 8282	AH66 AZH66	245	50

Parallel shaft
gear units



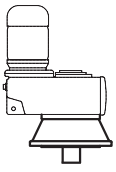
SK ... AFVL → A38

SK ... AF(B)VL



Parallel shaft
gear units

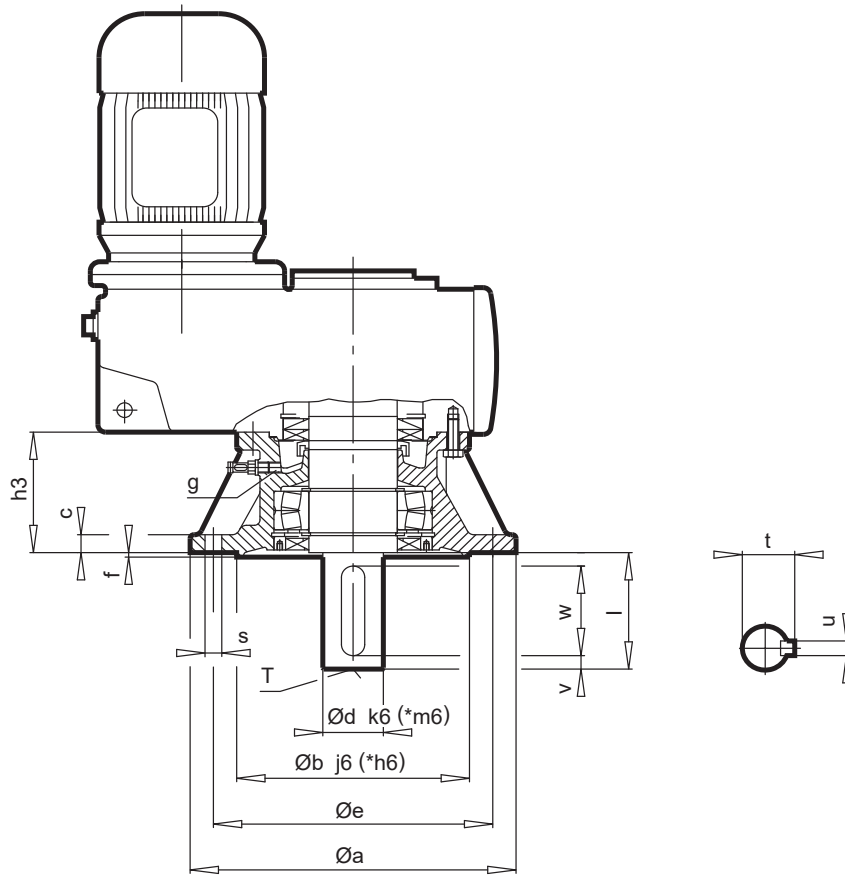
→ A61	a	b	c	e	f	h3	s	g	dH	uH	tH	mH	dH ^{H7}	IH	L I	L II
SK 1282 AF..	200	130	12	165	3,5	75	4 x 11	M12 x 1,5	30	8	33,3	180	30	40	173,5	158
SK 2282 AF.. SK 2382 AF..	250	180	16	215	4,0	86	4 x 14	M12 x 1,5	35	10	38,3	208	35	50	200,25	179
SK 3282 AF.. SK 3382 AF..	300	230	20	265	4,0	85	4 x 14	M12 x 1,5	40	12	43,3	246	40	58	236	212
SK 4282 AF.. SK 4382 AF..	300	230	20	265	4,0	113	4 x 14	M12 x 1,5	50	14	53,8	290	50	65	279,5	255
SK 5282 AF.. SK 5382 AF..	350	*250	20	300	5,0	135	4 x 18	M12 x 1,5	60	18	64,4	348	60	79	336	303
SK 6282 AF.. SK 6382 AF..	400	*300	22	350	5,0	166	4 x 18	M24 x 1,5	70	20	74,9	437	70	120	425	392
SK 7282 AF.. SK 7382 AF..	450	*350	24	400	5,0	184	8 x 18	M24 x 1,5	80	22	85,4	477	80	126	464	417
SK 8282 AF.. SK 8382 AF..	550	*450	28	500	5,0	210	8 x 18	M30 x 2,0	100	28	106,4	556	100	154	542	500
SK 9282 AF.. SK 9382 AF..	660	*550	32	600	6,0	262	8 x 22	M30 x 2,0	120	32	127,4	668	120	186	653	608



VFVL2 VFVL3

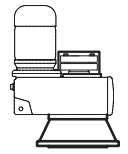
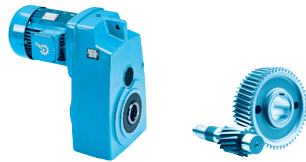


SK ... VFVL → A38

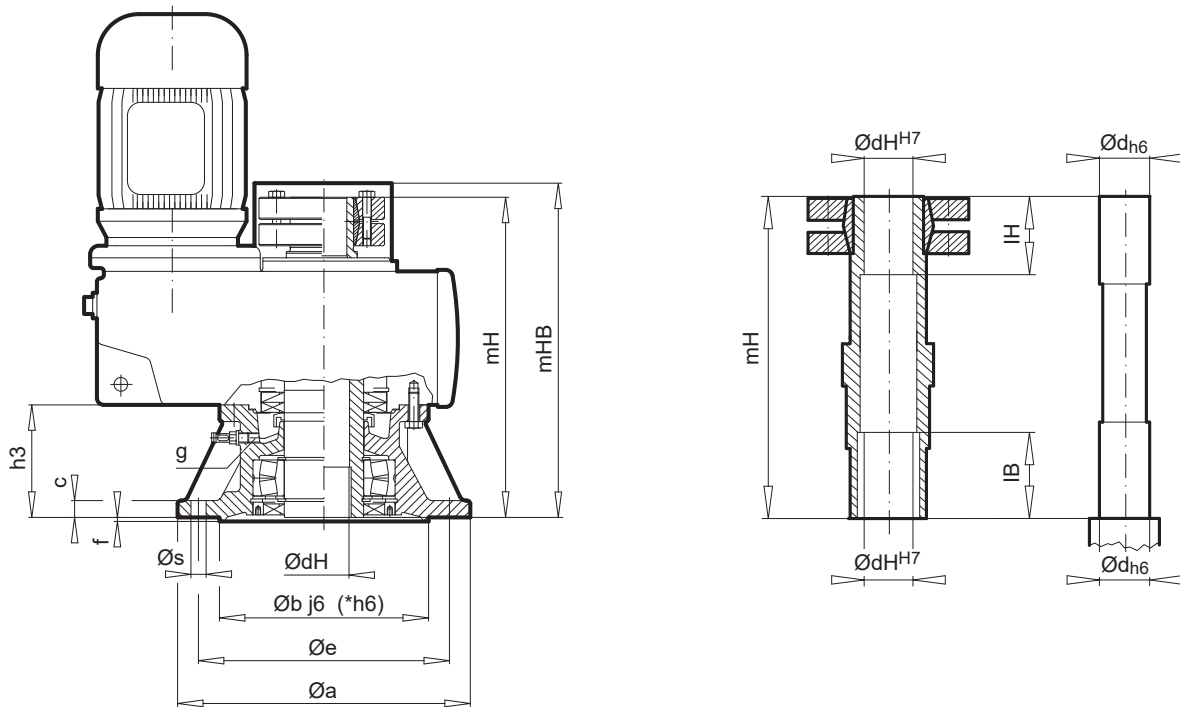


Parallel shaft gear units

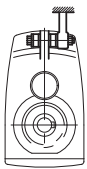
⇒ A61	a	b	c	e	f	h3	s	g	d	l	t	u	v	w	T
SK 1282 VF.. SK 1382 VF..	200	130	12	165	3,5	75	4 x 11	M12 x 1,5	30	60	33,0	8	5	50	M10
SK 2282 VF.. SK 2382 VF..	250	180	16	215	4,0	86	4 x 14	M12 x 1,5	35	70	38,0	10	5	60	M12
SK 3282 VF.. SK 3382 VF..	300	230	20	265	4,0	85	4 x 14	M12 x 1,5	45	90	48,5	14	5	80	M16
SK 4282 VF.. SK 4382 VF..	300	230	20	265	4,0	113	4 x 14	M12 x 1,5	*55	110	59,0	16	10	90	M20
SK 5282 VF.. SK 5382 VF..	350	*250	20	300	5,0	135	4 x 18	M12 x 1,5	*65	130	69,0	18	15	100	M20
SK 6282 VF.. SK 6382 VF..	400	*300	22	350	5,0	166	4 x 18	M24 x 1,5	*75	140	79,5	20	7,5	125	M20
SK 7282 VF.. SK 7382 VF..	450	*350	24	400	5,0	184	8 x 18	M24 x 1,5	*90	170	95,0	25	15	140	M24
SK 8282 VF.. SK 8382 VF..	550	*450	28	500	5,0	210	8 x 18	M30 x 2,0	*110	210	116,0	28	15	180	M24
SK 9282 VF.. SK 9382 VF..	660	*550	32	600	6,0	262	8 x 22	M30 x 2,0	*140	250	148,0	36	25	200	M24
SK 10382.1 VF..	660	*550	35	600	8,0	302	8 x 26	M30 x 2,0	*160	300	169,0	40	25	250	M24
SK 11382.1 VF..	660	*550	35	600	8,0	302	8 x 26	M30 x 2,0	*180	300	190,0	45	25	250	M24



SK ... AFSVL → A38



⇒ A61	a	b	c	e	f	h3	s	g	dH / d	mH	mHB	IB	IH
SK 1282 AFS..	200	130	12	165	3,5	75	4 x 11	M12 x 1,5	30	220	232	31	40
SK 2282 AFS..	250	180	16	215	4,0	86	4 x 14	M12 x 1,5	35	264	283	41	45
SK 3282 AFS..	300	230	20	265	4,0	85	4 x 14	M12 x 1,5	40	297	316	41	55
SK 4282 AFS..	300	230	20	265	4,0	113	4 x 14	M12 x 1,5	50	356	371	51	55
SK 5282 AFS..	350	*250	20	300	5,0	135	4 x 18	M12 x 1,5	60	413	435,5	60	70
SK 6282 AFS..	400	*300	22	350	5,0	166	4 x 18	M24 x 1,5	70	517	538	71	85
SK 7282 AFS..	450	*350	24	400	5,0	184	8 x 18	M24 x 1,5	80	562	580	81	90
SK 8282 AFS..	550	*450	28	500	5,0	210	8 x 18	M30 x 2,0	100	645	670	71	95
SK 9282 AFS..	660	*550	32	600	6,0	262	8 x 22	M30 x 2,0	125	773	794	82	110
SK 10382.1 AFS..	660	*550	35	600	8,0	302	8 x 26	M30 x 2,0	160	884	967	122	130
SK 11382.1 AFS..	660	*550	35	600	8,0	302	8 x 26	M30 x 2,0	180	958	997	101	110



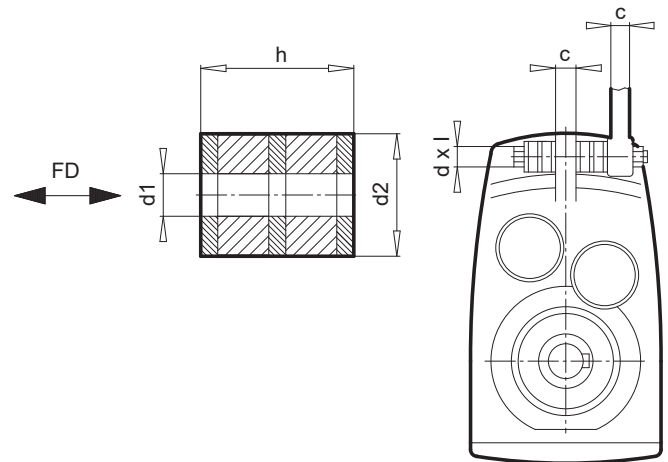
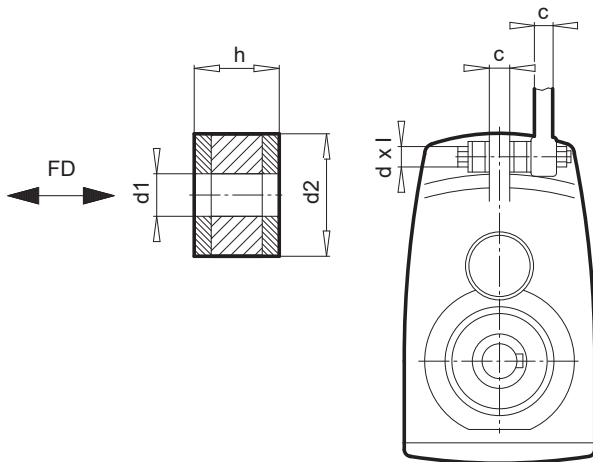
**G
VG**



NORD
DRIVESYSTEMS

SKG → A29

SKVG → A29



Parallel shaft
gear units


⇒ A61	d1	d2	h	c	d x l	FD [kN]	s _{FD} [mm]
SK 1282 ..G	11,0	30	15	14	M10 x 80	1,79	2,8
SK 2282 ..G	12,5	40	15	16	M12 x 90	2,67	1,8
SK 2382 ..G							
SK 3282 ..G	12,5	40	15	18	M12 x 90	4,16	2,9
SK 3382 ..G							
SK 4282 ..G	21,0	60	30	22	M20 x 150	7,39	7,3
SK 4382 ..G							
SK 5282 ..G	21,0	60	30	28	M20 x 150	9,49	9,4
SK 5382 ..G							
SK 6282 ..G	25,0	80	40	35	M24 x 190	16,81	9,2
SK 6382 ..G							
SK 7282 ..G	25,0	80	40	40	M24 x 200	20,80	11,4
SK 7382 ..G							
SK 8282 ..G	31,0	100	50	50	M30 x 260	28,39	16,3
SK 8382 ..G							
SK 9282 ..G	31,0	100	50	55	M30 x 260	43,49	24,9
SK 9382 ..G							

⇒ A61	d1	d2	h	c	d x l	FD [kN]	s _{FD} [mm]
SK 7282 ..VG	25,0	85	60	40	M24 x 240	20,80	12,2
SK 7382 ..VG							
SK 8282 ..VG	31,0	110	90	50	M30 x 340	28,39	19,3
SK 8382 ..VG							
SK 9282 ..VG	31,0	140	110	55	M30 x 380	43,49	21,2
SK 9382 ..VG							
SK 10382.1 ..VG	31,0	140	110	80	M30 x 430	56,36	27,4
SK 11382.1 ..VG	49,0	180	150	90	M48 x 550	80,89	38,5

Enquiry form





This general enquiry form can be found in the attachment as well as on the **NORD** homepage under www.nord.com - Heading DOCUMENTATION / FORMS.



General enquiry form

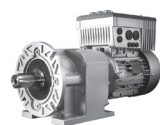



Company	<input style="width: 100%;" type="text"/>	
Street	<input style="width: 100%;" type="text"/>	
Town	<input style="width: 70%;" type="text"/>	Post-code <input style="width: 30%;" type="text"/>
Contact	<input style="width: 100%;" type="text"/>	
Tel.:	<input style="width: 60%;" type="text"/>	Customer No. <input style="width: 40%;" type="text"/>
Fax:	<input style="width: 60%;" type="text"/>	Application <input style="width: 40%;" type="text"/>
Email	<input style="width: 60%;" type="text"/>	Project <input style="width: 40%;" type="text"/>

NORD DRIVESYSTEMS
 Rudolf-Diesel-Straße 1
 D-22941 Bargteheide
 Tel.: +49(0) 4532/401-0
 Fax: +49(0)4532/401-254
 E-Mail info@nord.com
 www.nord.com


Components required	
<input type="radio"/> Gear unit motor	<input type="radio"/> IEC – Gear unit motor
<input type="radio"/> Gear unit with free shaft end	<input type="radio"/> Stand-alone motor

Quantity <input style="width: 90%;" type="text"/>	Type <input style="width: 90%;" type="text"/>
---	---

Parameters specific to the gear unit	Parameters specific to gear unit
Version <input style="width: 40%;" type="text"/>	Gear ratio <input style="width: 40%;" type="text"/>
Flange <input type="radio"/> B14 <input type="radio"/> B5 ϕ <input style="width: 40%;" type="text"/> [mm]	Bearings <input type="radio"/> Normal <input type="radio"/> VL <input type="radio"/> VL2 <input type="radio"/> VL3 <input type="radio"/> AL
<input type="radio"/> Hollow shaft <input type="radio"/> Solid shaft ϕ <input style="width: 20%;" type="text"/> x <input style="width: 20%;" type="text"/> [mm]	For bevel gear or worm gear units Shaft at <input type="radio"/> A <input type="radio"/> B
Output speed at mains frequency n_2 <input style="width: 40%;" type="text"/> [min ⁻¹]	<input type="radio"/> Mineral <input type="radio"/> Synthetic <input type="radio"/> Foodstuff-compatible oil
Output torque M_2 <input style="width: 40%;" type="text"/> [Nm]	Oil type <input type="radio"/> Special oil type <input style="width: 40%;" type="text"/>
Min. operating factor f_b <input style="width: 40%;" type="text"/>	Parameters specific to motor
Min. bearing life L_h <input style="width: 40%;" type="text"/> [h]	Effective motor power <input style="width: 40%;" type="text"/> [kW]
Radial forces on output shaft F_{R2} <input style="width: 40%;" type="text"/> [N]	Motor speed n_1 <input style="width: 40%;" type="text"/> [min ⁻¹]
Axial forces on output shaft F_{A2} <input style="width: 40%;" type="text"/> [N]	Temperature sensor (PTC) <input type="radio"/> Bi-metal temperature monitor <input type="radio"/>
Dist. from shaft collar to point of action of force <input style="width: 40%;" type="text"/> [mm]	Mains voltage <input style="width: 20%;" type="text"/> [V] +/- <input style="width: 20%;" type="text"/> [%]
	Mains frequency <input style="width: 40%;" type="text"/> [Hz]

Page 1 of 2



Outline conditions	
Ambient temperatures	<input style="width: 40%;" type="text"/> from <input style="width: 40%;" type="text"/> [°C]
<input type="checkbox"/> Buffer mounting for travelling drives	<input style="width: 40%;" type="text"/> [Nm]
<input type="checkbox"/> Relative humidity	<input style="width: 40%;" type="text"/> [%]
<input type="checkbox"/> Exposure to direct sunlight	
<input type="checkbox"/> Aggressive media (e.g.: salty air)	
<input type="checkbox"/> Increased installation altitude	<input style="width: 40%;" type="text"/> [m]
<input type="checkbox"/> Precipitation	
<input type="checkbox"/> ATEX (explosive mixtures in the vicinity)	Zone <input style="width: 40%;" type="text"/>

Painting	
<input type="radio"/> Not painted	
<input type="radio"/> Paint 1.0 - Primer	
<input type="radio"/> Paint 2.0 - standard	
<input type="radio"/> Paint 3.0 - normal environmental contamination	
<input type="radio"/> Paint 3.1 - moderate environmental contamination	
<input type="radio"/> Paint 3.2 - severe environmental contamination	
<input type="radio"/> Other painting (e.g.: Z, 3.4 or 3.5)	<input style="width: 40%;" type="text"/>
<input type="checkbox"/> Special colour (Standard RAL7031)	RAL <input style="width: 40%;" type="text"/>
<input type="checkbox"/> Regulations DIN EN, etc., please state	<input style="width: 40%;" type="text"/>

General conditions	
Quote by	<input style="width: 40%;" type="text"/>
Purchasing conditions	known <input type="radio"/> not known <input type="radio"/>
Purchasing conditions attached	<input type="checkbox"/>
Delivery time after receipt of order	<input style="width: 40%;" type="text"/>
Delivery carriage paid	<input type="checkbox"/>

Control cabinet inverter Motor-mounted inverter

Adjustment range from [Hz] to [Hz]

Constant torque within adjustment range [Nm]

External fan

Increase in motor size (with constant torque)

Positioning Incremental Absolute

Speed feedback

Generator operation for power feedback [kW]

Bus system- type of bus system

Control via PC Control box

Comments

Page 2 of 2

Helical-bevel gear units

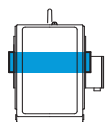
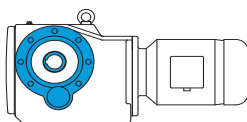
Examples: Available versions - bevel geared motor

With hollow shaft

With solid shaft

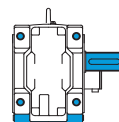
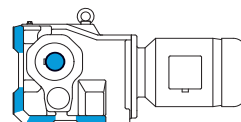
SK 9032.1 AZ - 90 SP/4

Hollow shaft, B14 flange at A and B, three-stage,



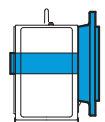
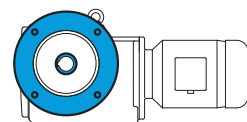
SK 9032.1 - 90 SP/4

Foot-mounted housing, Solid shaft at A, three-stage



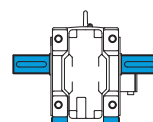
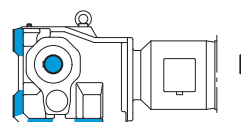
SK 9032.1 AF - 90 SP/4

Hollow shaft, B5 flange at A, three-stage,



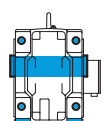
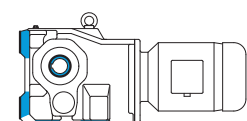
SK 9032.1 LX - 90 SP/4

Foot-mounted housing, Solid shaft at A and B, three-stage



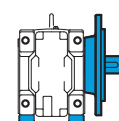
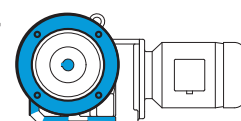
SK 9032.1 AX - 90 LP/4

Foot-mounted housing, hollow shaft, three-stage,



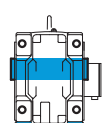
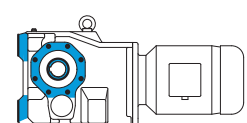
SK 9032.1 VXF - 90 LP/4

Foot-mounted housing, Solid shaft at A and B, B5 flange, three-stage,



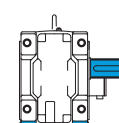
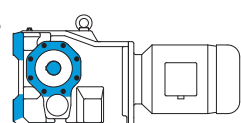
SK 9032.1 AXZ - 90 LP/4

Foot-mounted housing, hollow shaft shaft, B14 flange at A and B, three-stage,



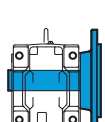
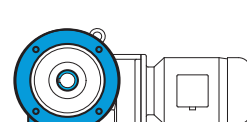
SK 9032.1 VXZ - 90 LP/4

Foot-mounted housing, Solid shaft at A, B14 flange at A and B, three-stage,



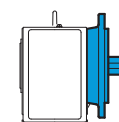
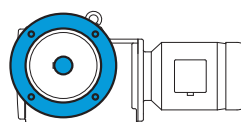
SK 9032.1 AXF - 90 LP/4

Foot-mounted housing, hollow shaft shaft, B5 flange at A, three-stage,



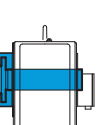
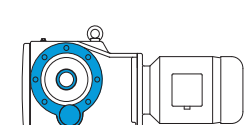
SK 9032.1 VF - 90 LP/4

Solid shaft at A, B5 flange at A, three-stage,



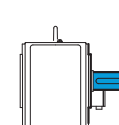
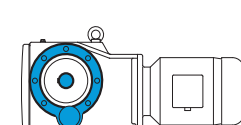
SK 9032.1 AZSH - 90 LP/4

Hollow shaft, B14 flange at A and B, shrink disk at B, three-stage,



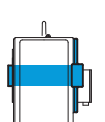
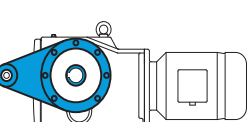
SK 9032.1 VZ - 90 LP/4

Solid shaft at A, B14 flange at A and B, solid shaft, three-stage,



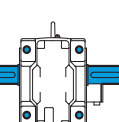
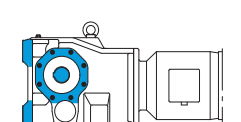
SK 9032.1 AZD - 90 LP/4

Hollow shaft, torque support at A, three-stage,



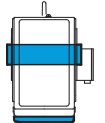
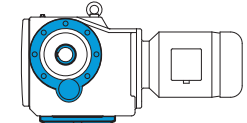
SK 9032.1 LXZ - 90 LP/4

Foot-mounted housing, Solid shaft at A and B, B14 flange at A and B, three-stage,

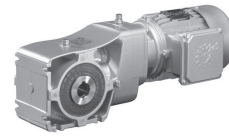
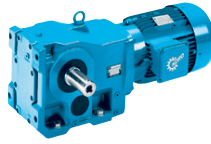


SK 9032.1 AZK - 90 LP/4

Hollow shaft, torque bracket, three-stage,



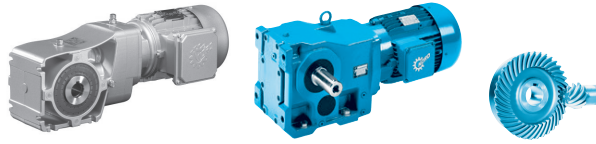
0,12 kW




P ₁ [kW]	n ₂ [min ⁻¹]	M ₂ [Nm]	f _B	i _{ges}	F _R [kN]	F _A [kN]	F _{R VL} [kN]	F _{A VL} [kN]	Type	kg	mm
0,12	1,0	1169	1,3	1361,37	11,6	14,5	15,0	30,0	SK 9033.1 - 63 S/4	70	E94-95
	1,2	987	1,6	1149,80	12,8	14,5	15,0	30,0			
	1,5	750	2,1	873,65	13,9	14,5	15,0	30,0			
	1,9	594	2,6	691,55	14,4	14,5	15,0	30,0			
	2,5	463	3,3	539,10	14,7	14,5	15,0	30,0			
	1,2	962	0,9	1120,38	0,1	12,0	7,7	25,0	SK 9023.1 - 63 S/4	47	E90-91
	1,4	817	1,1	951,94	3,2	12,0	9,5	25,0			
	1,8	647	1,3	753,86	6,3	12,0	10,9	25,0			
	2,0	582	1,5	678,31	7,0	12,0	11,4	25,0			
	2,4	482	1,8	561,55	7,8	12,0	11,9	25,0			
	2,8	406	2,1	472,43	8,3	12,0	12,0	25,0			
	3,9	291	3,0	339,41	8,9	12,0	12,0	25,0			
	3,1	367	2,2	276,86	8,6	12,0	12,0	25,0	SK 9022.1 - 63 L/6	42	E88-89
	1,1	*762	0,8	1256,07	5,2	20,0	9,0	20,0	SK 9017.1 - 63 S/4	40	E86-87
	2,1	540	1,1	629,56	7,9	20,0	9,0	20,0			
	2,4	479	1,3	558,25	8,4	20,0	9,0	20,0			
	2,7	423	1,4	493,12	8,8	20,0	9,0	20,0			
	3,6	315	1,9	367,33	9,0	20,0	9,0	20,0			
	3,1	368	1,6	277,84	9,0	20,0	9,0	20,0	SK 9016.1 - 63 L/6	35	E84-85
	3,7	311	1,9	234,64	9,0	20,0	9,0	20,0			
	4,2	273	2,2	205,93	9,0	20,0	9,0	20,0			
	4,8	239	2,5	277,84	9,0	20,0	9,0	20,0	SK 9016.1 - 63 S/4	35	E84-85
	5,7	201	2,9	234,64	9,0	20,0	9,0	20,0			
	1,1	*500	0,8	1256,07	3,3	20,0	7,7	20,0	SK 9013.1 - 63 S/4	39	E82-83
	1,6	*500	0,8	847,07	3,3	20,0	7,7	20,0			
	2,0	*500	0,8	667,89	3,3	20,0	7,7	20,0			
	2,3	*500	0,8	589,96	3,3	20,0	7,7	20,0			
	3,0	377	1,1	439,46	5,4	20,0	8,8	20,0			
	4,2	275	1,5	320,60	6,3	20,0	9,0	20,0			
	4,7	242	1,7	281,92	6,6	20,0	9,0	20,0			
	6,3	183	2,2	212,83	6,9	20,0	9,0	20,0			
	7,5	153	2,6	177,88	7,0	20,0	9,0	20,0			
	2,6	440	0,9	332,37	4,5	20,0	8,3	20,0			
	3,1	372	1,1	280,71	5,4	20,0	8,8	20,0			
	3,5	326	1,2	246,37	5,9	20,0	9,0	20,0			
	4,2	273	1,5	205,93	6,3	20,0	9,0	20,0			
	4,0	285	1,4	332,37	6,3	20,0	9,0	20,0	SK 9012.1 - 63 S/4	34	E80-81
	4,8	241	1,7	280,71	6,6	20,0	9,0	20,0			
	5,4	211	1,9	246,37	6,7	20,0	9,0	20,0			
	6,5	177	2,3	205,93	6,9	20,0	9,0	20,0			
	8,0	143	2,8	166,59	7,0	20,0	9,0	20,0			
	9,5	121	3,3	140,70	7,1	20,0	9,0	20,0			
	11	106	3,8	123,48	7,1	20,0	9,0	20,0			
	14	84	4,8	97,36	7,2	20,0	9,0	20,0			
	16	74	5,4	86,00	7,2	20,0	9,0	20,0			
	17	66	6,1	76,53	7,2	20,0	9,0	20,0			
	21	54	7,4	62,74	7,2	20,0	9,0	20,0			
	24	47	8,4	55,17	7,2	20,0	9,0	20,0			
	27	42	9,5	48,95	7,2	20,0	9,0	20,0			
	32	36	11,2	41,65	7,3	20,0	9,0	20,0			
	38	30	13,4	34,81	7,3	20,0	9,0	20,0			
	42	27	14,8	31,45	7,3	20,0	9,0	20,0			
	48	24	16,9	27,65	7,3	20,0	9,0	20,0			
	54	21	19,0	24,53	7,3	20,0	9,0	20,0			
	64	18	22,3	20,87	7,3	20,0	9,0	20,0			
	77	15	25,4	17,45	7,3	19,3	9,0	19,3			
	87	13	28,9	15,30	7,3	18,6	9,0	18,6			
	109	10	21,0	12,23	7,3	17,4	9,0	17,4			
	123	9	21,5	10,85	7,3	16,8	9,0	16,8			
	145	8	24,6	9,23	7,3	16,0	9,0	16,0			
	165	7	25,9	8,09	7,3	15,4	9,0	15,4			

* Maximum output torque with f_B = 0,8

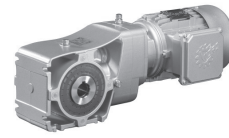
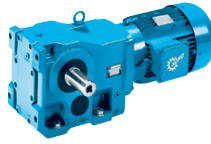
Helical-bevel gear units



P ₁ [kW]	n ₂ [min ⁻¹]	M ₂ [Nm]	f _B	i _{ges}	F _R [kN]	F _A [kN]	F _{R VL} [kN]	F _{A VL} [kN]	Type	kg	mm 																																																																																																																																																																																																																																																																																																																																																																																																																																																																																																																											
0,12	24	48	3,3	55,49	6,6	15,0	-	-	SK 92372.1 - 63 S/4	16	E64-65																																																																																																																																																																																																																																																																																																																																																																																																																																																																																																																											
	27	42	3,3	49,46	6,6	15,0	-	-				0,12	19	60	1,2	70,00	4,9	12,0	-	-	SK 92172.1 - 63 S/4	11	E62-63	21	55	1,2	63,78	4,9	12,0	-	-	24	48	1,2	56,00	4,9	12,0	-	-	29	40	2,3	46,43	4,9	12,0	-	-	32	36	2,8	42,30	4,9	12,0	-	-	34	33	2,8	38,75	4,9	12,0	-	-	36	32	2,8	37,14	4,9	12,0	-	-	38	30	3,6	35,31	4,9	12,0	-	-	43	27	4,1	31,00	4,9	12,0	-	-	47	24	4,5	28,24	4,9	12,0	-	-	47	24	4,5	28,24	4,9	12,0	-	-	54	21	5,6	24,80	4,9	12,0	-	-	54	21	5,6	24,80	4,9	12,0	-	-	65	18	5,9	20,67	4,9	12,0	-	-	65	18	5,9	20,67	4,9	12,0	-	-	88	13	7,1	15,23	4,9	12,0	-	-	96	12	9,1	13,87	4,9	12,0	-	-	0,12	22	53	1,1	61,88	5,0	9,0	-	-	SK 92072.1 - 63 S/4	9,5	E60-61	25	46	1,1	53,78	5,0	9,0	-	-	28	41	1,1	47,67	5,0	9,0	-	-	33	35	1,7	40,98	5,0	9,0	-	-	37	31	2,1	35,62	5,0	9,0	-	-	42	27	2,4	31,57	5,0	9,0	-	-	49	23	2,8	27,16	5,0	9,0	-	-	55	21	3,8	24,07	5,0	9,0	-	-	64	18	4,5	20,80	5,0	9,0	-	-	72	16	3,8	18,52	5,0	9,0	-	-	83	14	4,8	16,00	5,0	9,0	-	-	104	11	5,4	12,78	5,0	9,0	-	-	120	10	6,8	11,11	5,0	9,0	-	-	136	8	9,0	9,85	5,0	9,0	-	-	154	7	9,9	8,67	5,0	9,0	-	-	176	7	11,1	7,58	5,0	9,0	-	-	200	6	11,9	6,67	5,0	9,0	-	-	229	5	14,4	5,83	5,0	9,0	-	-	258	4	15,1	5,17	4,8	9,0	-	-	287	4	16,3	4,65	4,6	8,8	-	-	336	3	19,9	3,97	4,4	8,4	-	-	373	3	21,5	3,58	4,3	8,1	-	-	0,18	1,0	1721	0,9	1361,37	4,5	14,5	15,0	30,0	SK 9033.1 - 63 L/4	70	E94-95	1,2	1453	1,1	1149,80	9,0	14,5	15,0	30,0	1,6	1104	1,4	873,65	12,1	14,5	15,0	30,0	2,0	874	1,8	691,55	13,3	14,5	15,0	30,0	2,5	681	2,3	539,10	14,1	14,5	15,0	29,2	3,4	504	3,1	398,77	14,6	14,5	15,0	27,2	3,9	445	3,5	352,25	14,8	14,5	15,0	26,4	5,1	338	4,6	267,65	15,0	14,5	15,0	24,6	0,18	1,8	953	0,9	753,86	0,1	12,0	7,9	25,0	SK 9023.1 - 63 L/4	47	E90-91	2,0	857	1,0	678,31	1,4	12,0	9,1	25,0	2,4	710	1,2	561,55	5,4	12,0	10,5	25,0	2,9	597	1,4	472,43	6,8	12,0	11,3	25,0	4,0	429	2,0	339,41	8,2	12,0	12,0	25,0	4,6	376	2,3	297,67	8,5	12,0	12,0	24,6	3,3	523	1,5	276,86	7,5	12,0	11,7	25,0	SK 9022.1 - 71 S/6	43	E88-89	0,18	2,2	796	0,8	629,56	4,5	20,0	9,0	20,0	SK 9017.1 - 63 L/4	40	E86-87	2,4	706	0,9	558,25	6,1	20,0	9,0	20,0	2,8	623	1,0	493,12	7,1	20,0	9,0	20,0	3,7	464	1,3	367,33	8,5	20,0	9,0	20,0	5,1	339	1,8	267,99	9,0	20,0	9,0	20,0	5,8	298	2,0	235,64	9,0	20,0	9,0	20,0	7,6	225	2,5	177,89
0,12	19	60	1,2	70,00	4,9	12,0	-	-	SK 92172.1 - 63 S/4	11	E62-63																																																																																																																																																																																																																																																																																																																																																																																																																																																																																																																											
	21	55	1,2	63,78	4,9	12,0	-	-																																																																																																																																																																																																																																																																																																																																																																																																																																																																																																																														
	24	48	1,2	56,00	4,9	12,0	-	-																																																																																																																																																																																																																																																																																																																																																																																																																																																																																																																														
	29	40	2,3	46,43	4,9	12,0	-	-																																																																																																																																																																																																																																																																																																																																																																																																																																																																																																																														
	32	36	2,8	42,30	4,9	12,0	-	-																																																																																																																																																																																																																																																																																																																																																																																																																																																																																																																														
	34	33	2,8	38,75	4,9	12,0	-	-																																																																																																																																																																																																																																																																																																																																																																																																																																																																																																																														
	36	32	2,8	37,14	4,9	12,0	-	-																																																																																																																																																																																																																																																																																																																																																																																																																																																																																																																														
	38	30	3,6	35,31	4,9	12,0	-	-																																																																																																																																																																																																																																																																																																																																																																																																																																																																																																																														
	43	27	4,1	31,00	4,9	12,0	-	-																																																																																																																																																																																																																																																																																																																																																																																																																																																																																																																														
	47	24	4,5	28,24	4,9	12,0	-	-																																																																																																																																																																																																																																																																																																																																																																																																																																																																																																																														
	47	24	4,5	28,24	4,9	12,0	-	-																																																																																																																																																																																																																																																																																																																																																																																																																																																																																																																														
	54	21	5,6	24,80	4,9	12,0	-	-																																																																																																																																																																																																																																																																																																																																																																																																																																																																																																																														
	54	21	5,6	24,80	4,9	12,0	-	-																																																																																																																																																																																																																																																																																																																																																																																																																																																																																																																														
	65	18	5,9	20,67	4,9	12,0	-	-																																																																																																																																																																																																																																																																																																																																																																																																																																																																																																																														
	65	18	5,9	20,67	4,9	12,0	-	-																																																																																																																																																																																																																																																																																																																																																																																																																																																																																																																														
	88	13	7,1	15,23	4,9	12,0	-	-																																																																																																																																																																																																																																																																																																																																																																																																																																																																																																																														
96	12	9,1	13,87	4,9	12,0	-	-																																																																																																																																																																																																																																																																																																																																																																																																																																																																																																																															
0,12	22	53	1,1	61,88	5,0	9,0	-	-	SK 92072.1 - 63 S/4	9,5	E60-61																																																																																																																																																																																																																																																																																																																																																																																																																																																																																																																											
	25	46	1,1	53,78	5,0	9,0	-	-																																																																																																																																																																																																																																																																																																																																																																																																																																																																																																																														
	28	41	1,1	47,67	5,0	9,0	-	-																																																																																																																																																																																																																																																																																																																																																																																																																																																																																																																														
	33	35	1,7	40,98	5,0	9,0	-	-																																																																																																																																																																																																																																																																																																																																																																																																																																																																																																																														
	37	31	2,1	35,62	5,0	9,0	-	-																																																																																																																																																																																																																																																																																																																																																																																																																																																																																																																														
	42	27	2,4	31,57	5,0	9,0	-	-																																																																																																																																																																																																																																																																																																																																																																																																																																																																																																																														
	49	23	2,8	27,16	5,0	9,0	-	-																																																																																																																																																																																																																																																																																																																																																																																																																																																																																																																														
	55	21	3,8	24,07	5,0	9,0	-	-																																																																																																																																																																																																																																																																																																																																																																																																																																																																																																																														
	64	18	4,5	20,80	5,0	9,0	-	-																																																																																																																																																																																																																																																																																																																																																																																																																																																																																																																														
	72	16	3,8	18,52	5,0	9,0	-	-																																																																																																																																																																																																																																																																																																																																																																																																																																																																																																																														
	83	14	4,8	16,00	5,0	9,0	-	-																																																																																																																																																																																																																																																																																																																																																																																																																																																																																																																														
	104	11	5,4	12,78	5,0	9,0	-	-																																																																																																																																																																																																																																																																																																																																																																																																																																																																																																																														
	120	10	6,8	11,11	5,0	9,0	-	-																																																																																																																																																																																																																																																																																																																																																																																																																																																																																																																														
	136	8	9,0	9,85	5,0	9,0	-	-																																																																																																																																																																																																																																																																																																																																																																																																																																																																																																																														
	154	7	9,9	8,67	5,0	9,0	-	-																																																																																																																																																																																																																																																																																																																																																																																																																																																																																																																														
	176	7	11,1	7,58	5,0	9,0	-	-																																																																																																																																																																																																																																																																																																																																																																																																																																																																																																																														
	200	6	11,9	6,67	5,0	9,0	-	-																																																																																																																																																																																																																																																																																																																																																																																																																																																																																																																														
	229	5	14,4	5,83	5,0	9,0	-	-																																																																																																																																																																																																																																																																																																																																																																																																																																																																																																																														
	258	4	15,1	5,17	4,8	9,0	-	-																																																																																																																																																																																																																																																																																																																																																																																																																																																																																																																														
287	4	16,3	4,65	4,6	8,8	-	-																																																																																																																																																																																																																																																																																																																																																																																																																																																																																																																															
336	3	19,9	3,97	4,4	8,4	-	-																																																																																																																																																																																																																																																																																																																																																																																																																																																																																																																															
373	3	21,5	3,58	4,3	8,1	-	-																																																																																																																																																																																																																																																																																																																																																																																																																																																																																																																															
0,18	1,0	1721	0,9	1361,37	4,5	14,5	15,0	30,0	SK 9033.1 - 63 L/4	70	E94-95																																																																																																																																																																																																																																																																																																																																																																																																																																																																																																																											
	1,2	1453	1,1	1149,80	9,0	14,5	15,0	30,0																																																																																																																																																																																																																																																																																																																																																																																																																																																																																																																														
	1,6	1104	1,4	873,65	12,1	14,5	15,0	30,0																																																																																																																																																																																																																																																																																																																																																																																																																																																																																																																														
	2,0	874	1,8	691,55	13,3	14,5	15,0	30,0																																																																																																																																																																																																																																																																																																																																																																																																																																																																																																																														
	2,5	681	2,3	539,10	14,1	14,5	15,0	29,2																																																																																																																																																																																																																																																																																																																																																																																																																																																																																																																														
	3,4	504	3,1	398,77	14,6	14,5	15,0	27,2																																																																																																																																																																																																																																																																																																																																																																																																																																																																																																																														
	3,9	445	3,5	352,25	14,8	14,5	15,0	26,4																																																																																																																																																																																																																																																																																																																																																																																																																																																																																																																														
	5,1	338	4,6	267,65	15,0	14,5	15,0	24,6																																																																																																																																																																																																																																																																																																																																																																																																																																																																																																																														
0,18	1,8	953	0,9	753,86	0,1	12,0	7,9	25,0	SK 9023.1 - 63 L/4	47	E90-91																																																																																																																																																																																																																																																																																																																																																																																																																																																																																																																											
	2,0	857	1,0	678,31	1,4	12,0	9,1	25,0																																																																																																																																																																																																																																																																																																																																																																																																																																																																																																																														
	2,4	710	1,2	561,55	5,4	12,0	10,5	25,0																																																																																																																																																																																																																																																																																																																																																																																																																																																																																																																														
	2,9	597	1,4	472,43	6,8	12,0	11,3	25,0																																																																																																																																																																																																																																																																																																																																																																																																																																																																																																																														
	4,0	429	2,0	339,41	8,2	12,0	12,0	25,0																																																																																																																																																																																																																																																																																																																																																																																																																																																																																																																														
	4,6	376	2,3	297,67	8,5	12,0	12,0	24,6																																																																																																																																																																																																																																																																																																																																																																																																																																																																																																																														
3,3	523	1,5	276,86	7,5	12,0	11,7	25,0	SK 9022.1 - 71 S/6	43	E88-89																																																																																																																																																																																																																																																																																																																																																																																																																																																																																																																												
0,18	2,2	796	0,8	629,56	4,5	20,0	9,0	20,0	SK 9017.1 - 63 L/4	40	E86-87																																																																																																																																																																																																																																																																																																																																																																																																																																																																																																																											
	2,4	706	0,9	558,25	6,1	20,0	9,0	20,0																																																																																																																																																																																																																																																																																																																																																																																																																																																																																																																														
	2,8	623	1,0	493,12	7,1	20,0	9,0	20,0																																																																																																																																																																																																																																																																																																																																																																																																																																																																																																																														
	3,7	464	1,3	367,33	8,5	20,0	9,0	20,0																																																																																																																																																																																																																																																																																																																																																																																																																																																																																																																														
	5,1	339	1,8	267,99	9,0	20,0	9,0	20,0																																																																																																																																																																																																																																																																																																																																																																																																																																																																																																																														
	5,8	298	2,0	235,64	9,0	20,0	9,0	20,0																																																																																																																																																																																																																																																																																																																																																																																																																																																																																																																														
	7,6	225	2,5	177,89	9,0	20,0	9,0	20,0																																																																																																																																																																																																																																																																																																																																																																																																																																																																																																																														

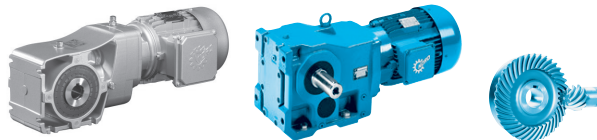
Helical-bevel gear units


0,18 kW



P ₁ [kW]	n ₂ [min ⁻¹]	M ₂ [Nm]	f _B	i _{ges}	F _R [kN]	F _A [kN]	F _{R VL} [kN]	F _{A VL} [kN]	Type	kg	mm
0,18	3,3	525	1,1	277,84	8,0	20,0	9,0	20,0	SK 9016.1 - 71 S/6	36	E84-85
	3,9	443	1,3	234,64	8,6	20,0	9,0	20,0			
	4,4	389	1,6	205,93	8,9	20,0	9,0	20,0			
	4,9	351	1,7	277,84	9,0	20,0	9,0	20,0	SK 9016.1 - 63 L/4	35	E84-85
	5,8	297	2,0	234,64	9,0	20,0	9,0	20,0			
	6,6	260	2,3	205,93	9,0	20,0	9,0	20,0			
	4,2	405	1,0	320,60	5,0	20,0	8,6	20,0	SK 9013.1 - 63 L/4	39	E82-83
	4,8	356	1,1	281,92	5,6	20,0	8,9	20,0			
	6,4	269	1,5	212,83	6,4	20,0	9,0	20,0			
	7,6	225	1,8	177,88	6,7	20,0	9,0	20,0			
	9,6	179	2,2	141,29	6,9	20,0	9,0	20,0			
	3,2	530	0,8	280,71	2,3	20,0	7,3	20,0	SK 9012.1 - 71 S/6	35	E80-81
	3,7	465	0,9	246,37	4,1	20,0	8,0	20,0			
	4,4	389	1,0	205,93	5,2	20,0	8,7	20,0			
	4,1	420	1,0	332,37	4,8	20,0	8,4	20,0	SK 9012.1 - 63 L/4	34	E80-81
	4,8	355	1,1	280,71	5,6	20,0	8,9	20,0			
	5,5	311	1,3	246,37	6,1	20,0	9,0	20,0			
	6,6	260	1,5	205,93	6,4	20,0	9,0	20,0			
	8,2	211	1,9	166,59	6,7	20,0	9,0	20,0			
	9,7	178	2,2	140,70	6,9	20,0	9,0	20,0			
	11	156	2,6	123,48	7,0	20,0	9,0	20,0			
	14	123	3,3	97,36	7,1	20,0	9,0	20,0			
	16	109	3,7	86,00	7,1	20,0	9,0	20,0			
	18	97	4,1	76,53	7,2	20,0	9,0	20,0			
	22	79	5,0	62,74	7,2	20,0	9,0	20,0			
	25	70	5,7	55,17	7,2	20,0	9,0	20,0			
	28	62	6,5	48,95	7,2	20,0	9,0	20,0			
	33	53	7,6	41,65	7,2	20,0	9,0	20,0			
	39	44	9,1	34,81	7,2	20,0	9,0	20,0			
	43	40	10,1	31,45	7,3	20,0	9,0	20,0			
	49	35	11,4	27,65	7,3	20,0	9,0	20,0			
	55	31	12,9	24,53	7,3	20,0	9,0	20,0			
	65	26	15,2	20,87	7,3	20,0	9,0	20,0			
	78	22	17,2	17,45	7,3	19,1	9,0	19,1			
89	19	19,6	15,30	7,3	18,4	9,0	18,4				
111	15	14,2	12,23	7,3	17,2	9,0	17,2				
125	14	14,6	10,85	7,3	16,7	9,0	16,7				
147	12	16,7	9,23	7,3	15,9	9,0	15,9				
168	10	17,6	8,09	7,3	15,3	9,0	15,3				
	25	70	2,3	55,49	6,6	15,0	-	-	SK 92372.1 - 63 L/4	17	E64-65
	27	63	2,3	49,46	6,6	15,0	-	-			
	29	59	3,1	46,64	6,6	15,0	-	-			
	33	52	3,5	41,46	6,6	15,0	-	-			
	19	88	0,8	70,00	4,8	12,0	-	-	SK 92172.1 - 63 L/4	12	E62-63
	21	81	0,8	63,78	4,8	12,0	-	-			
	24	71	0,8	56,00	4,8	12,0	-	-			
	29	59	1,6	46,43	4,9	12,0	-	-			
	32	53	1,9	42,30	4,9	12,0	-	-			
	35	49	1,9	38,75	4,9	12,0	-	-			
	37	47	1,9	37,14	4,9	12,0	-	-			
	39	45	2,4	35,31	4,9	12,0	-	-			
	44	39	2,8	31,00	4,9	12,0	-	-			
	48	36	3,0	28,24	4,9	12,0	-	-			
	55	31	3,8	24,80	4,9	12,0	-	-			
	66	26	4,0	20,67	4,9	12,0	-	-			
	89	19	4,8	15,23	4,9	12,0	-	-			
98	18	6,2	13,87	4,9	12,0	-	-				
	22	78	0,8	61,88	5,0	9,0	-	-	SK 92072.1 - 63 L/4	10	E60-61
	25	68	0,8	53,78	5,0	9,0	-	-			
	29	60	0,8	47,67	5,0	9,0	-	-			
	33	52	1,1	40,98	5,0	9,0	-	-			
	38	45	1,4	35,62	5,0	9,0	-	-			
	43	40	1,6	31,57	5,0	9,0	-	-			
50	34	1,9	27,16	5,0	9,0	-	-				

Helical-bevel gear units



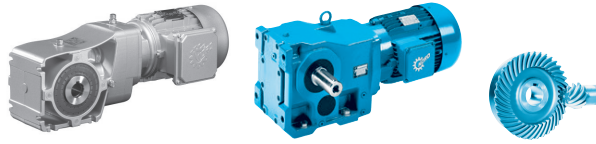
P ₁ [kW]	n ₂ [min ⁻¹]	M ₂ [Nm]	f _B	i _{ges}	F _R [kN]	F _A [kN]	F _{R VL} [kN]	F _{A VL} [kN]	Type	kg	mm 
0,18	56	30	2,6	24,07	5,0	9,0	-	-	SK 92072.1 - 63 L/4	10	E60-61
	65	26	3,1	20,80	5,0	9,0	-	-			
	73	23	2,6	18,52	5,0	9,0	-	-			
	85	20	3,3	16,00	5,0	9,0	-	-			
	106	16	3,7	12,78	5,0	9,0	-	-			
	122	14	4,6	11,11	5,0	9,0	-	-			
	138	12	6,1	9,85	5,0	9,0	-	-			
	157	11	6,8	8,67	5,0	9,0	-	-			
	180	10	7,5	7,58	5,0	9,0	-	-			
	204	8	8,1	6,67	5,0	9,0	-	-			
	233	7	9,8	5,83	4,9	9,0	-	-			
	263	7	10,3	5,17	4,7	9,0	-	-			
	292	6	11,0	4,65	4,6	8,7	-	-			
342	5	13,5	3,97	4,4	8,3	-	-				
380	5	14,6	3,58	4,2	8,0	-	-				
0,25	1,5	1612	3,0	931,87	29,5	45,0	38,0	45,0	SK 9053.1 - 71 S/4	203	E102-103
	2,0	1218	3,3	703,83	30,0	45,0	38,0	45,0			
	1,2	1926	1,5	1113,24	25,3	40,0	28,0	40,0	SK 9043.1 - 71 S/4	125	E98-99
	1,6	1525	1,8	881,60	26,4	40,0	28,0	40,0			
	2,1	1116	2,5	645,18	27,3	40,0	28,0	40,0			
	2,4	983	2,8	568,04	27,5	40,0	28,0	40,0			
	1,2	1989	0,8	1149,80	0,2	14,5	12,6	30,0	SK 9033.1 - 71 S/4	71	E94-95
	1,6	1511	1,0	873,65	8,3	14,5	15,0	30,0			
	2,0	1196	1,3	691,55	11,4	14,5	15,0	29,3			
	2,6	933	1,7	539,10	13,1	14,5	15,0	27,9			
	3,5	690	2,2	398,77	14,1	14,5	15,0	26,2			
	3,9	609	2,5	352,25	14,4	14,5	15,0	25,5			
	5,2	463	3,3	267,65	14,7	14,5	15,0	23,9			
	6,4	372	4,2	214,83	14,9	14,5	15,0	22,7			
	8,2	290	5,4	167,45	15,0	14,5	15,0	21,3			
	4,7	512	3,0	295,85	14,6	14,5	15,0	24,5	SK 9032.1 - 71 S/4	63	E92-93
	5,5	432	3,6	249,72	14,8	14,5	15,0	23,5			
	2,5	972	0,9	561,55	0,1	12,0	7,6	25,0	SK 9023.1 - 71 S/4	48	E90-91
	2,9	817	1,1	472,43	3,2	12,0	9,5	25,0			
	4,1	587	1,5	339,41	6,9	12,0	11,3	24,4			
	4,6	515	1,7	297,67	7,6	12,0	11,7	23,7			
	6,0	395	1,6	228,47	8,4	12,0	12,0	22,3			
	3,3	718	1,1	276,86	5,3	12,0	10,4	25,0	SK 9022.1 - 71 L/6	44	E88-89
	5,0	479	1,7	276,86	7,9	12,0	11,9	23,3	SK 9022.1 - 71 S/4	43	E88-89
	5,9	403	1,7	232,92	8,4	12,0	12,0	22,4			
	6,3	379	2,3	219,25	8,5	12,0	12,0	22,1			
	7,5	319	2,7	184,46	8,8	12,0	12,0	21,2			
	21	116	4,2	66,96	10,4	25,0	-	-	SK 92772.1 - 71 S/4	40	E68-69
	23	103	4,2	59,68	10,4	25,0	-	-			
	3,8	636	1,0	367,33	7,0	20,0	9,0	20,0	SK 9017.1 - 71 S/4	41	E86-87
	5,1	464	1,3	267,99	8,5	20,0	9,0	20,0			
	5,9	408	1,5	235,64	8,8	20,0	9,0	20,0			
	7,8	308	1,9	177,89	9,0	20,0	9,0	20,0			
3,3	721	0,8	277,84	5,8	20,0	9,0	20,0	SK 9016.1 - 71 L/6	37	E84-85	
3,9	609	1,0	234,64	7,3	20,0	9,0	20,0				
4,5	534	1,1	205,93	8,0	20,0	9,0	20,0				
5,0	481	1,2	277,84	8,4	20,0	9,0	20,0	SK 9016.1 - 71 S/4	36	E84-85	
5,9	406	1,5	234,64	8,9	20,0	9,0	20,0				
6,7	356	1,7	205,93	9,0	20,0	9,0	20,0				
7,5	317	1,9	183,10	9,0	20,0	9,0	20,0				
9,2	259	2,4	149,81	9,0	20,0	9,0	20,0				


0,25 kW



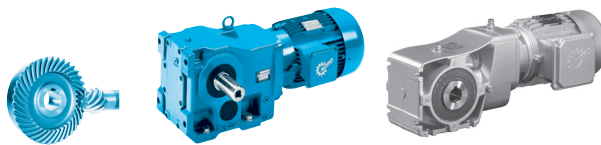
P ₁ [kW]	n ₂ [min ⁻¹]	M ₂ [Nm]	f _B	i _{ges}	F _R [kN]	F _A [kN]	F _{R VL} [kN]	F _{A VL} [kN]	Type	kg	mm
0,25	4,9	488	0,8	281,92	3,6	20,0	7,8	20,0	SK 9013.1 - 71 S/4	40	E82-83
	6,5	368	1,1	212,83	5,5	20,0	8,9	20,0			
	7,8	308	1,3	177,88	6,1	20,0	9,0	20,0			
	9,8	244	1,6	141,29	6,6	20,0	9,0	20,0			
	4,9	486	0,8	280,71	3,6	20,0	7,8	20,0	SK 9012.1 - 71 S/4	35	E80-81
	5,6	426	0,9	246,37	4,7	20,0	8,4	20,0			
	6,7	356	1,1	205,93	5,6	20,0	8,9	20,0			
	7,5	317	1,3	183,10	6,0	20,0	9,0	20,0			
	8,3	288	1,4	166,59	6,2	20,0	9,0	20,0			
	9,8	243	1,6	140,70	6,6	20,0	9,0	20,0			
	11	214	1,9	123,48	6,7	20,0	9,0	20,0			
	13	190	2,1	109,79	6,8	20,0	9,0	20,0			
	14	168	2,4	97,36	6,9	20,0	9,0	20,0			
	16	149	2,7	86,00	7,0	20,0	9,0	20,0			
	18	132	3,0	76,53	7,1	20,0	9,0	20,0			
	22	109	3,7	62,74	7,1	20,0	9,0	20,0			
	25	95	4,2	55,17	7,2	20,0	9,0	20,0			
	28	85	4,7	48,95	7,2	20,0	9,0	20,0			
	33	72	5,6	41,65	7,2	20,0	9,0	20,0			
	40	60	6,6	34,81	7,2	20,0	9,0	20,0			
	44	54	7,4	31,45	7,2	20,0	9,0	20,0			
	50	48	8,4	27,65	7,2	20,0	9,0	20,0			
	56	42	9,4	24,53	7,2	20,0	9,0	20,0			
	66	36	11,1	20,87	7,3	20,0	9,0	20,0			
	79	30	12,6	17,45	7,3	19,0	9,0	19,0			
	90	26	14,4	15,30	7,3	18,3	9,0	18,3			
	113	21	10,4	12,23	7,3	17,1	9,0	17,1			
	127	19	10,7	10,85	7,3	16,5	9,0	16,5			
	150	16	12,2	9,23	7,3	15,8	9,0	15,8			
	171	14	12,9	8,09	7,3	15,1	9,0	15,1			
	21	116	4,2	66,96	10,4	25,0	-	-	SK 92772.1 - 71 S/4	40	E68-69
	23	103	4,2	59,68	10,4	25,0	-	-			
	28	84	3,8	48,56	8,4	20,0	-	-	SK 92672.1 - 71 S/4	30	E66-67
	25	96	1,6	55,49	6,5	15,0	-	-	SK 92372.1 - 71 S/4	18	E64-65
	28	86	1,6	49,46	6,5	15,0	-	-			
	30	81	2,3	46,64	6,5	15,0	-	-			
	33	72	2,6	41,46	6,6	15,0	-	-			
	38	64	2,9	36,80	6,6	15,0	-	-			
	42	57	3,5	32,80	6,6	15,0	-	-			
	30	80	1,2	46,43	4,8	12,0	-	-	SK 92172.1 - 71 S/4	13	E62-63
	33	73	1,4	42,30	4,8	12,0	-	-			
	36	67	1,4	38,75	4,8	12,0	-	-			
	37	64	1,4	37,14	4,8	12,0	-	-			
	39	61	1,8	35,31	4,9	12,0	-	-			
	45	54	2,0	31,00	4,9	12,0	-	-			
	49	49	2,2	28,24	4,9	12,0	-	-			
	56	43	2,8	24,80	4,9	12,0	-	-			
	67	36	2,9	20,67	4,9	12,0	-	-			
	91	26	3,5	15,23	4,9	12,0	-	-			
	99	24	4,5	13,87	4,9	12,0	-	-			
	34	71	0,8	40,98	5,0	9,0	-	-	SK 92072.1 - 71 S/4	11	E60-61
	39	62	1,1	35,62	5,0	9,0	-	-			
	44	55	1,2	31,57	5,0	9,0	-	-			
	51	47	1,4	27,16	5,0	9,0	-	-			
	57	42	1,9	24,07	5,0	9,0	-	-			
	66	36	2,3	20,80	5,0	9,0	-	-			
	75	32	1,9	18,52	5,0	9,0	-	-			
	86	28	2,4	16,00	5,0	9,0	-	-			
	108	22	2,7	12,78	5,0	9,0	-	-			
	124	19	3,4	11,11	5,0	9,0	-	-			
	140	17	4,5	9,85	5,0	9,0	-	-			
	159	15	4,9	8,67	5,0	9,0	-	-			
	182	13	5,5	7,58	5,0	9,0	-	-			
	207	12	5,9	6,67	5,0	9,0	-	-			
	237	10	7,1	5,83	4,9	9,0	-	-			
	267	9	7,5	5,17	4,7	8,9	-	-			
	296	8	8,1	4,65	4,5	8,6	-	-			
	347	7	9,9	3,97	4,3	8,2	-	-			
	385	6	10,7	3,58	4,2	7,9	-	-			

Helical-bevel gear units



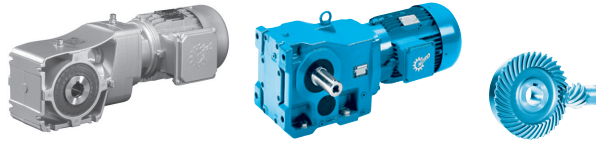
P ₁ [kW]	n ₂ [min ⁻¹]	M ₂ [Nm]	f _B	i _{ges}	F _R [kN]	F _A [kN]	F _{R VL} [kN]	F _{A VL} [kN]	Type	kg	mm 																																																																																																																																																																																																																																																																																																																																																																																																																																																																																																																																									
0,37	1,2	2672	3,2	1169,97	64,6	50,0	66,0	50,0	SK 9072.1/32 - 71 L/4	360	E104-105																																																																																																																																																																																																																																																																																																																																																																																																																																																																																																																																									
	1,4	2224	3,8	973,69	65,0	50,0	66,0	50,0					1,0	3582	1,3	1398,80	24,1	45,0	38,0	45,0	SK 9053.1 - 71 L/4	204	E102-103		1,3	2721	1,8	1062,85	27,1	45,0	38,0	45,0		1,5	2386	2,0	931,87	28,0	45,0	38,0	45,0		2,0	1802	2,2	703,83	29,2	45,0	38,0	45,0		2,4	1485	3,2	579,95	29,7	45,0	38,0	45,0		1,2	2850	1,0	1113,24	21,3	40,0	28,0	40,0	SK 9043.1 - 71 L/4	126	E98-99		1,6	2257	1,2	881,60	24,1	40,0	28,0	40,0		2,1	1652	1,7	645,18	26,1	40,0	28,0	40,0		2,4	1454	1,9	568,04	26,6	40,0	28,0	40,0		3,9	898	3,1	350,72	27,6	40,0	28,0	38,2		2,0	1771	0,9	691,55	2,8	14,5	14,8	26,7	SK 9033.1 - 71 L/4	72	E94-95		2,6	1380	1,1	539,10	9,8	14,5	15,0	25,9		3,5	1021	1,5	398,77	12,6	14,5	15,0	24,8		3,9	902	1,7	352,25	13,2	14,5	15,0	24,2		5,2	685	2,3	267,65	14,1	14,5	15,0	22,9		6,4	550	2,8	214,83	14,5	14,5	15,0	21,9		8,2	429	3,6	167,45	14,8	14,5	15,0	20,7		4,7	758	2,0	295,85	13,8	14,5	15,0	23,4		5,5	639	2,4	249,72	14,3	14,5	15,0	22,6	SK 9032.1 - 71 L/4	64	E92-93		12	284	5,5	110,77	15,0	14,5	15,0	18,7		4,1	869	1,0	339,41	0,5	12,0	8,9	22,9	SK 9023.1 - 71 L/4	49	E90-91		4,6	762	1,1	297,67	4,5	12,0	10,0	22,4		6,0	585	1,1	228,47	7,0	12,0	11,4	21,3		3,4	1052	0,8	276,86	0,5	12,0	6,2	23,5	SK 9022.1 - 80 S/6	46	E88-89		5,9	596	1,2	232,92	6,8	12,0	11,3	21,3	SK 9022.1 - 71 L/4	44	E88-89		6,3	561	1,5	219,25	7,2	12,0	11,5	21,1		7,5	472	1,8	184,46	7,9	12,0	11,9	20,3		14	253	3,4	98,88	9,0	12,0	12,0	17,7		21	171	2,9	66,96	10,3	25,0	-	-	SK 92772.1 - 71 L/4	41	E68-69		23	153	2,9	59,68	10,4	25,0	-	-		5,1	686	0,9	267,99	6,3	20,0	9,0	20,0	SK 9017.1 - 71 L/4	42	E86-87		5,9	603	1,0	235,64	7,3	20,0	9,0	20,0		7,8	455	1,3	177,89	8,5	20,0	9,0	20,0		10	344	1,3	134,32	9,0	20,0	9,0	20,0		4,5	782	0,8	205,93	4,8	20,0	9,0	20,0	SK 9016.1 - 80 S/6	39	E84-85		5,0	711	0,8	277,84	6,0	20,0	9,0	20,0	SK 9016.1 - 71 L/4	37	E84-85		5,9	601	1,0	234,64	7,3	20,0	9,0	20,0		6,7	527	1,2	205,93	8,0	20,0	9,0	20,0		7,5	469	1,3	183,10	8,4	20,0	9,0	20,0		9,2	384	1,6	149,81	9,0	20,0	9,0	20,0		15	235	2,1	91,77	9,0	20,0	9,0	20,0		17	208	2,9	81,38	9,0	20,0	9,0	20,0		7,8	455	0,9	177,88	4,2	20,0	8,1	20,0	SK 9013.1 - 71 L/4	41	E82-83		9,8	362	1,1	141,29	5,6	20,0	8,9	20,0		6,7	527	0,8	205,93	2,5	20,0	7,4	20,0	SK 9012.1 - 71 L/4	36	E80-81		7,5	469	0,9	183,10	4,0	20,0	8,0	20,0		8,3	427	0,9	166,59	4,7	20,0	8,4	20,0		9,8	360	1,1	140,70	5,6	20,0	8,9	20,0		11	316	1,3	123,48	6,0	20,0	9,0	20,0		13	281	1,4	109,79	6,3	20,0	9,0	20,0		14	249	1,6	97,36	6,5	20,0	9,0	20,0		16	220	1,8	86,00	6,7	20,0	9,0	20,0		18	196	2,0	76,53	6,8	20,0	9,0	20,0		22	161	2,5	62,74
	1,0	3582	1,3	1398,80	24,1	45,0	38,0	45,0	SK 9053.1 - 71 L/4	204	E102-103																																																																																																																																																																																																																																																																																																																																																																																																																																																																																																																																									
	1,3	2721	1,8	1062,85	27,1	45,0	38,0	45,0																																																																																																																																																																																																																																																																																																																																																																																																																																																																																																																																												
	1,5	2386	2,0	931,87	28,0	45,0	38,0	45,0																																																																																																																																																																																																																																																																																																																																																																																																																																																																																																																																												
	2,0	1802	2,2	703,83	29,2	45,0	38,0	45,0																																																																																																																																																																																																																																																																																																																																																																																																																																																																																																																																												
	2,4	1485	3,2	579,95	29,7	45,0	38,0	45,0					1,2	2850	1,0	1113,24	21,3	40,0	28,0	40,0	SK 9043.1 - 71 L/4	126	E98-99		1,6	2257	1,2	881,60	24,1	40,0	28,0	40,0		2,1	1652	1,7	645,18	26,1	40,0	28,0	40,0		2,4	1454	1,9	568,04	26,6	40,0	28,0	40,0		3,9	898	3,1	350,72	27,6	40,0	28,0	38,2		2,0	1771	0,9	691,55	2,8	14,5	14,8	26,7	SK 9033.1 - 71 L/4	72	E94-95		2,6	1380	1,1	539,10	9,8	14,5	15,0	25,9		3,5	1021	1,5	398,77	12,6	14,5	15,0	24,8		3,9	902	1,7	352,25	13,2	14,5	15,0	24,2		5,2	685	2,3	267,65	14,1	14,5	15,0	22,9		6,4	550	2,8	214,83	14,5	14,5	15,0	21,9					8,2	429	3,6	167,45	14,8	14,5	15,0	20,7		4,7	758	2,0	295,85	13,8	14,5	15,0	23,4		5,5	639	2,4	249,72	14,3	14,5	15,0	22,6	SK 9032.1 - 71 L/4	64	E92-93		12	284	5,5	110,77	15,0	14,5	15,0	18,7		4,1	869	1,0	339,41	0,5	12,0	8,9	22,9	SK 9023.1 - 71 L/4	49	E90-91		4,6	762	1,1	297,67	4,5	12,0	10,0	22,4		6,0	585	1,1	228,47	7,0	12,0	11,4	21,3		3,4	1052	0,8	276,86	0,5	12,0	6,2	23,5	SK 9022.1 - 80 S/6	46	E88-89		5,9	596	1,2	232,92	6,8	12,0	11,3	21,3	SK 9022.1 - 71 L/4	44	E88-89		6,3	561	1,5	219,25	7,2	12,0	11,5	21,1		7,5	472	1,8	184,46	7,9	12,0	11,9	20,3		14	253	3,4	98,88	9,0	12,0	12,0	17,7		21	171	2,9	66,96	10,3	25,0	-	-	SK 92772.1 - 71 L/4	41	E68-69		23	153	2,9	59,68	10,4	25,0	-	-		5,1	686	0,9	267,99	6,3	20,0	9,0	20,0	SK 9017.1 - 71 L/4	42	E86-87		5,9	603	1,0	235,64	7,3	20,0	9,0	20,0		7,8	455	1,3	177,89	8,5	20,0	9,0	20,0		10	344	1,3	134,32	9,0	20,0	9,0	20,0		4,5	782	0,8	205,93	4,8	20,0	9,0	20,0	SK 9016.1 - 80 S/6	39	E84-85		5,0	711	0,8	277,84	6,0	20,0	9,0	20,0	SK 9016.1 - 71 L/4	37	E84-85		5,9	601	1,0	234,64	7,3	20,0	9,0	20,0		6,7	527	1,2	205,93	8,0	20,0	9,0	20,0		7,5	469	1,3	183,10	8,4	20,0	9,0	20,0		9,2	384	1,6	149,81	9,0	20,0	9,0	20,0		15	235	2,1	91,77	9,0				20,0	9,0	20,0		17	208	2,9	81,38	9,0	20,0	9,0	20,0		7,8	455	0,9	177,88	4,2	20,0	8,1	20,0	SK 9013.1 - 71 L/4	41	E82-83		9,8	362	1,1	141,29	5,6	20,0	8,9	20,0		6,7	527	0,8	205,93	2,5	20,0	7,4	20,0	SK 9012.1 - 71 L/4	36	E80-81		7,5	469	0,9	183,10	4,0	20,0	8,0	20,0		8,3	427	0,9	166,59	4,7	20,0	8,4	20,0		9,8	360	1,1	140,70	5,6	20,0	8,9	20,0		11	316	1,3	123,48	6,0	20,0	9,0	20,0		13	281				1,4	109,79	6,3	20,0	9,0	20,0		14	249	1,6	97,36	6,5	20,0	9,0	20,0		16	220	1,8	86,00	6,7	20,0	9,0	20,0		18	196	2,0	76,53	6,8	20,0	9,0	20,0		22	161	2,5	62,74	7,0	20,0	9,0	20,0																																			
	1,2	2850	1,0	1113,24	21,3	40,0	28,0	40,0	SK 9043.1 - 71 L/4	126	E98-99																																																																																																																																																																																																																																																																																																																																																																																																																																																																																																																																									
	1,6	2257	1,2	881,60	24,1	40,0	28,0	40,0																																																																																																																																																																																																																																																																																																																																																																																																																																																																																																																																												
	2,1	1652	1,7	645,18	26,1	40,0	28,0	40,0																																																																																																																																																																																																																																																																																																																																																																																																																																																																																																																																												
	2,4	1454	1,9	568,04	26,6	40,0	28,0	40,0																																																																																																																																																																																																																																																																																																																																																																																																																																																																																																																																												
	3,9	898	3,1	350,72	27,6	40,0	28,0	38,2					2,0	1771	0,9	691,55	2,8	14,5	14,8	26,7	SK 9033.1 - 71 L/4	72	E94-95		2,6	1380	1,1	539,10	9,8	14,5	15,0	25,9		3,5	1021	1,5	398,77	12,6	14,5	15,0	24,8		3,9	902	1,7	352,25	13,2	14,5	15,0	24,2		5,2	685	2,3	267,65	14,1	14,5	15,0	22,9		6,4	550	2,8	214,83	14,5	14,5	15,0	21,9					8,2	429	3,6	167,45	14,8	14,5	15,0	20,7		4,7	758	2,0	295,85	13,8	14,5	15,0	23,4		5,5	639	2,4	249,72	14,3	14,5	15,0	22,6	SK 9032.1 - 71 L/4	64	E92-93		12	284	5,5	110,77	15,0	14,5	15,0	18,7		4,1	869	1,0	339,41	0,5	12,0	8,9	22,9	SK 9023.1 - 71 L/4	49	E90-91		4,6	762	1,1	297,67	4,5	12,0	10,0	22,4		6,0	585	1,1	228,47	7,0	12,0	11,4	21,3		3,4	1052	0,8	276,86	0,5	12,0	6,2	23,5	SK 9022.1 - 80 S/6	46	E88-89		5,9	596	1,2	232,92	6,8	12,0	11,3	21,3	SK 9022.1 - 71 L/4	44	E88-89		6,3	561	1,5	219,25	7,2	12,0	11,5	21,1		7,5	472	1,8	184,46	7,9	12,0	11,9	20,3		14	253	3,4	98,88	9,0	12,0	12,0	17,7		21	171	2,9	66,96	10,3	25,0	-	-	SK 92772.1 - 71 L/4	41	E68-69		23	153	2,9	59,68	10,4	25,0	-	-		5,1	686	0,9	267,99	6,3	20,0	9,0	20,0	SK 9017.1 - 71 L/4	42	E86-87		5,9	603	1,0	235,64	7,3	20,0	9,0	20,0		7,8	455	1,3	177,89	8,5	20,0	9,0	20,0		10	344	1,3	134,32	9,0	20,0	9,0	20,0		4,5	782	0,8	205,93	4,8	20,0	9,0	20,0	SK 9016.1 - 80 S/6	39	E84-85		5,0	711	0,8	277,84	6,0	20,0	9,0	20,0	SK 9016.1 - 71 L/4	37	E84-85		5,9	601	1,0	234,64	7,3	20,0	9,0	20,0		6,7	527	1,2	205,93	8,0	20,0	9,0	20,0		7,5	469	1,3	183,10	8,4	20,0	9,0	20,0		9,2	384	1,6	149,81	9,0	20,0	9,0	20,0		15	235	2,1	91,77	9,0	20,0	9,0	20,0					17	208	2,9	81,38	9,0	20,0	9,0	20,0		7,8	455	0,9	177,88	4,2	20,0	8,1	20,0	SK 9013.1 - 71 L/4	41	E82-83		9,8	362	1,1	141,29	5,6	20,0	8,9	20,0		6,7	527	0,8	205,93	2,5	20,0	7,4	20,0	SK 9012.1 - 71 L/4	36	E80-81		7,5	469	0,9	183,10	4,0	20,0	8,0	20,0		8,3	427	0,9	166,59	4,7	20,0	8,4	20,0		9,8	360	1,1	140,70	5,6	20,0	8,9	20,0		11	316	1,3	123,48	6,0	20,0	9,0	20,0		13	281	1,4	109,79	6,3	20,0	9,0	20,0					14	249	1,6	97,36	6,5	20,0	9,0	20,0		16	220	1,8	86,00	6,7	20,0	9,0	20,0		18	196	2,0	76,53	6,8	20,0	9,0	20,0		22	161	2,5	62,74	7,0	20,0	9,0	20,0																																																																																			
	2,0	1771	0,9	691,55	2,8	14,5	14,8	26,7	SK 9033.1 - 71 L/4	72	E94-95																																																																																																																																																																																																																																																																																																																																																																																																																																																																																																																																									
	2,6	1380	1,1	539,10	9,8	14,5	15,0	25,9																																																																																																																																																																																																																																																																																																																																																																																																																																																																																																																																												
	3,5	1021	1,5	398,77	12,6	14,5	15,0	24,8																																																																																																																																																																																																																																																																																																																																																																																																																																																																																																																																												
	3,9	902	1,7	352,25	13,2	14,5	15,0	24,2																																																																																																																																																																																																																																																																																																																																																																																																																																																																																																																																												
	5,2	685	2,3	267,65	14,1	14,5	15,0	22,9																																																																																																																																																																																																																																																																																																																																																																																																																																																																																																																																												
	6,4	550	2,8	214,83	14,5	14,5	15,0	21,9																																																																																																																																																																																																																																																																																																																																																																																																																																																																																																																																												
	8,2	429	3,6	167,45	14,8	14,5	15,0	20,7																																																																																																																																																																																																																																																																																																																																																																																																																																																																																																																																												
	4,7	758	2,0	295,85	13,8	14,5	15,0	23,4																																																																																																																																																																																																																																																																																																																																																																																																																																																																																																																																												
	5,5	639	2,4	249,72	14,3	14,5	15,0	22,6	SK 9032.1 - 71 L/4	64	E92-93																																																																																																																																																																																																																																																																																																																																																																																																																																																																																																																																									
	12	284	5,5	110,77	15,0	14,5	15,0	18,7					4,1	869	1,0	339,41	0,5	12,0	8,9	22,9	SK 9023.1 - 71 L/4	49	E90-91		4,6	762	1,1	297,67	4,5	12,0	10,0	22,4		6,0	585	1,1	228,47	7,0	12,0	11,4	21,3		3,4	1052	0,8	276,86	0,5	12,0	6,2	23,5	SK 9022.1 - 80 S/6	46	E88-89		5,9	596	1,2	232,92	6,8	12,0	11,3	21,3	SK 9022.1 - 71 L/4	44	E88-89		6,3	561	1,5	219,25	7,2	12,0	11,5	21,1		7,5	472	1,8	184,46	7,9	12,0	11,9	20,3		14	253	3,4	98,88	9,0	12,0	12,0	17,7		21	171	2,9	66,96	10,3	25,0	-	-	SK 92772.1 - 71 L/4	41	E68-69		23	153	2,9	59,68	10,4	25,0	-	-		5,1	686	0,9	267,99	6,3	20,0	9,0	20,0	SK 9017.1 - 71 L/4	42	E86-87		5,9	603	1,0	235,64	7,3	20,0	9,0	20,0		7,8	455	1,3	177,89	8,5	20,0	9,0	20,0		10	344	1,3	134,32	9,0	20,0	9,0	20,0		4,5	782	0,8	205,93	4,8	20,0	9,0	20,0	SK 9016.1 - 80 S/6	39	E84-85		5,0	711	0,8	277,84	6,0	20,0	9,0	20,0	SK 9016.1 - 71 L/4	37	E84-85		5,9	601	1,0	234,64	7,3	20,0	9,0	20,0		6,7	527	1,2	205,93	8,0	20,0	9,0	20,0		7,5	469	1,3	183,10	8,4	20,0	9,0	20,0		9,2	384	1,6	149,81	9,0	20,0	9,0	20,0		15	235	2,1	91,77	9,0	20,0	9,0	20,0		17	208	2,9	81,38	9,0	20,0	9,0	20,0		7,8	455	0,9	177,88	4,2	20,0	8,1	20,0	SK 9013.1 - 71 L/4	41	E82-83		9,8	362	1,1	141,29	5,6	20,0	8,9	20,0		6,7	527	0,8	205,93	2,5	20,0	7,4	20,0	SK 9012.1 - 71 L/4	36	E80-81		7,5	469	0,9	183,10	4,0	20,0	8,0	20,0		8,3	427	0,9	166,59	4,7	20,0	8,4	20,0		9,8	360	1,1	140,70	5,6	20,0	8,9	20,0		11	316	1,3	123,48	6,0	20,0	9,0	20,0		13	281	1,4	109,79	6,3	20,0	9,0	20,0		14	249	1,6	97,36	6,5	20,0	9,0	20,0		16	220	1,8	86,00	6,7	20,0	9,0	20,0		18	196	2,0	76,53	6,8	20,0	9,0	20,0		22	161	2,5	62,74	7,0	20,0	9,0	20,0																																																																																																																																																																																												
	4,1	869	1,0	339,41	0,5	12,0	8,9	22,9	SK 9023.1 - 71 L/4	49	E90-91																																																																																																																																																																																																																																																																																																																																																																																																																																																																																																																																									
	4,6	762	1,1	297,67	4,5	12,0	10,0	22,4																																																																																																																																																																																																																																																																																																																																																																																																																																																																																																																																												
	6,0	585	1,1	228,47	7,0	12,0	11,4	21,3					3,4	1052	0,8	276,86	0,5	12,0	6,2	23,5	SK 9022.1 - 80 S/6	46	E88-89		5,9	596	1,2	232,92	6,8	12,0	11,3	21,3	SK 9022.1 - 71 L/4	44	E88-89		6,3	561	1,5	219,25	7,2	12,0	11,5	21,1		7,5	472	1,8	184,46	7,9	12,0	11,9	20,3		14	253	3,4	98,88	9,0	12,0	12,0	17,7					21	171	2,9	66,96	10,3	25,0	-	-	SK 92772.1 - 71 L/4	41	E68-69		23	153	2,9	59,68	10,4	25,0	-	-		5,1	686	0,9	267,99	6,3	20,0	9,0	20,0	SK 9017.1 - 71 L/4	42	E86-87		5,9	603	1,0	235,64	7,3	20,0	9,0	20,0		7,8	455	1,3	177,89	8,5	20,0	9,0	20,0		10	344	1,3	134,32	9,0				20,0	9,0	20,0		4,5	782	0,8	205,93	4,8	20,0	9,0	20,0	SK 9016.1 - 80 S/6	39	E84-85		5,0	711	0,8	277,84	6,0	20,0	9,0	20,0	SK 9016.1 - 71 L/4	37	E84-85		5,9	601	1,0	234,64	7,3	20,0	9,0	20,0		6,7	527	1,2	205,93	8,0	20,0	9,0	20,0		7,5	469				1,3	183,10	8,4	20,0	9,0	20,0		9,2	384	1,6	149,81	9,0	20,0	9,0	20,0		15	235	2,1	91,77	9,0	20,0	9,0	20,0		17	208	2,9	81,38	9,0	20,0	9,0	20,0		7,8	455	0,9	177,88	4,2	20,0	8,1	20,0	SK 9013.1 - 71 L/4	41	E82-83		9,8	362	1,1	141,29	5,6	20,0	8,9	20,0		6,7	527	0,8	205,93	2,5	20,0	7,4	20,0	SK 9012.1 - 71 L/4	36	E80-81		7,5	469	0,9	183,10	4,0	20,0	8,0	20,0		8,3	427	0,9	166,59	4,7	20,0	8,4	20,0					9,8	360	1,1	140,70	5,6	20,0	8,9	20,0		11	316	1,3	123,48	6,0	20,0	9,0	20,0		13	281	1,4	109,79	6,3	20,0	9,0	20,0		14	249	1,6	97,36	6,5	20,0	9,0	20,0		16	220	1,8	86,00	6,7	20,0	9,0	20,0		18	196	2,0	76,53	6,8	20,0	9,0	20,0		22	161	2,5	62,74	7,0	20,0	9,0	20,0																																																																																																																																																																																																														
	3,4	1052	0,8	276,86	0,5	12,0	6,2	23,5	SK 9022.1 - 80 S/6	46	E88-89																																																																																																																																																																																																																																																																																																																																																																																																																																																																																																																																									
	5,9	596	1,2	232,92	6,8	12,0	11,3	21,3	SK 9022.1 - 71 L/4	44	E88-89																																																																																																																																																																																																																																																																																																																																																																																																																																																																																																																																									
	6,3	561	1,5	219,25	7,2	12,0	11,5	21,1																																																																																																																																																																																																																																																																																																																																																																																																																																																																																																																																												
	7,5	472	1,8	184,46	7,9	12,0	11,9	20,3																																																																																																																																																																																																																																																																																																																																																																																																																																																																																																																																												
	14	253	3,4	98,88	9,0	12,0	12,0	17,7					21	171	2,9	66,96	10,3	25,0	-	-	SK 92772.1 - 71 L/4	41	E68-69		23	153	2,9	59,68	10,4	25,0	-	-		5,1	686	0,9	267,99	6,3	20,0	9,0	20,0	SK 9017.1 - 71 L/4	42	E86-87		5,9	603	1,0	235,64	7,3	20,0	9,0	20,0		7,8	455	1,3	177,89	8,5	20,0	9,0	20,0		10	344	1,3	134,32	9,0	20,0	9,0	20,0		4,5	782	0,8	205,93	4,8	20,0	9,0	20,0	SK 9016.1 - 80 S/6	39	E84-85		5,0	711	0,8	277,84	6,0	20,0	9,0	20,0	SK 9016.1 - 71 L/4	37	E84-85		5,9	601	1,0	234,64	7,3	20,0	9,0	20,0		6,7	527	1,2	205,93	8,0	20,0	9,0	20,0		7,5	469	1,3	183,10	8,4	20,0	9,0	20,0		9,2	384	1,6	149,81	9,0	20,0	9,0	20,0		15	235	2,1	91,77	9,0	20,0	9,0	20,0		17	208	2,9	81,38	9,0	20,0	9,0	20,0					7,8	455	0,9	177,88	4,2	20,0	8,1	20,0	SK 9013.1 - 71 L/4	41	E82-83		9,8	362	1,1	141,29	5,6	20,0	8,9	20,0		6,7	527	0,8	205,93	2,5	20,0	7,4	20,0	SK 9012.1 - 71 L/4	36	E80-81		7,5	469	0,9	183,10	4,0	20,0	8,0	20,0		8,3	427	0,9	166,59	4,7	20,0	8,4	20,0		9,8	360	1,1	140,70	5,6	20,0	8,9	20,0		11	316	1,3	123,48	6,0	20,0	9,0	20,0		13	281	1,4	109,79	6,3	20,0	9,0	20,0		14	249	1,6	97,36	6,5	20,0	9,0	20,0					16	220	1,8	86,00	6,7	20,0	9,0	20,0		18	196	2,0	76,53	6,8	20,0	9,0	20,0					22	161	2,5	62,74	7,0	20,0	9,0	20,0																																																																																																																																																																																																																																																																				
	21	171	2,9	66,96	10,3	25,0	-	-	SK 92772.1 - 71 L/4	41	E68-69																																																																																																																																																																																																																																																																																																																																																																																																																																																																																																																																									
	23	153	2,9	59,68	10,4	25,0	-	-					5,1	686	0,9	267,99	6,3	20,0	9,0	20,0	SK 9017.1 - 71 L/4	42	E86-87		5,9	603	1,0	235,64	7,3	20,0	9,0	20,0		7,8	455	1,3	177,89	8,5	20,0	9,0	20,0					10	344	1,3	134,32	9,0	20,0	9,0	20,0		4,5	782	0,8	205,93	4,8	20,0	9,0	20,0	SK 9016.1 - 80 S/6	39	E84-85		5,0	711	0,8	277,84	6,0	20,0	9,0	20,0	SK 9016.1 - 71 L/4	37	E84-85		5,9	601	1,0	234,64	7,3	20,0	9,0	20,0		6,7	527	1,2	205,93	8,0				20,0	9,0	20,0		7,5	469	1,3	183,10	8,4	20,0	9,0	20,0		9,2	384	1,6	149,81	9,0	20,0	9,0	20,0		15	235	2,1	91,77	9,0	20,0	9,0	20,0		17	208	2,9	81,38	9,0	20,0	9,0	20,0		7,8	455	0,9	177,88	4,2	20,0	8,1	20,0	SK 9013.1 - 71 L/4	41	E82-83		9,8	362	1,1	141,29	5,6	20,0	8,9	20,0		6,7	527	0,8	205,93	2,5	20,0	7,4	20,0	SK 9012.1 - 71 L/4	36	E80-81		7,5	469	0,9	183,10	4,0	20,0	8,0	20,0		8,3	427	0,9	166,59	4,7				20,0	8,4	20,0		9,8	360	1,1	140,70	5,6	20,0	8,9	20,0		11	316	1,3	123,48	6,0	20,0	9,0	20,0		13	281	1,4	109,79	6,3	20,0	9,0	20,0		14	249	1,6	97,36	6,5	20,0	9,0	20,0		16	220	1,8	86,00	6,7	20,0	9,0	20,0		18	196	2,0	76,53	6,8				20,0	9,0	20,0		22	161	2,5	62,74	7,0	20,0	9,0	20,0																																																																																																																																																																																																																																																																																						
	5,1	686	0,9	267,99	6,3	20,0	9,0	20,0	SK 9017.1 - 71 L/4	42	E86-87																																																																																																																																																																																																																																																																																																																																																																																																																																																																																																																																									
	5,9	603	1,0	235,64	7,3	20,0	9,0	20,0																																																																																																																																																																																																																																																																																																																																																																																																																																																																																																																																												
	7,8	455	1,3	177,89	8,5	20,0	9,0	20,0																																																																																																																																																																																																																																																																																																																																																																																																																																																																																																																																												
	10	344	1,3	134,32	9,0	20,0	9,0	20,0					4,5	782	0,8	205,93	4,8	20,0	9,0	20,0	SK 9016.1 - 80 S/6	39	E84-85		5,0	711	0,8	277,84	6,0	20,0	9,0	20,0	SK 9016.1 - 71 L/4	37	E84-85		5,9	601	1,0	234,64	7,3	20,0	9,0	20,0		6,7	527	1,2	205,93	8,0	20,0	9,0	20,0		7,5	469	1,3	183,10	8,4	20,0	9,0	20,0		9,2	384	1,6	149,81	9,0	20,0	9,0	20,0		15	235				2,1	91,77	9,0	20,0	9,0	20,0		17	208	2,9	81,38	9,0	20,0	9,0	20,0					7,8	455	0,9	177,88	4,2	20,0	8,1	20,0	SK 9013.1 - 71 L/4	41	E82-83		9,8	362	1,1	141,29	5,6	20,0	8,9	20,0		6,7	527	0,8	205,93	2,5	20,0	7,4	20,0	SK 9012.1 - 71 L/4	36	E80-81		7,5	469	0,9	183,10	4,0	20,0	8,0	20,0		8,3	427	0,9	166,59	4,7	20,0	8,4	20,0		9,8	360	1,1	140,70	5,6	20,0	8,9	20,0		11	316	1,3	123,48	6,0	20,0	9,0	20,0					13	281	1,4	109,79	6,3	20,0	9,0	20,0		14	249	1,6	97,36	6,5				20,0	9,0	20,0		16	220	1,8	86,00	6,7	20,0	9,0	20,0		18	196	2,0	76,53	6,8	20,0	9,0	20,0		22	161	2,5	62,74	7,0	20,0	9,0	20,0																																																																																																																																																																																																																																																																																																																													
	4,5	782	0,8	205,93	4,8	20,0	9,0	20,0	SK 9016.1 - 80 S/6	39	E84-85																																																																																																																																																																																																																																																																																																																																																																																																																																																																																																																																									
	5,0	711	0,8	277,84	6,0	20,0	9,0	20,0	SK 9016.1 - 71 L/4	37	E84-85																																																																																																																																																																																																																																																																																																																																																																																																																																																																																																																																									
	5,9	601	1,0	234,64	7,3	20,0	9,0	20,0																																																																																																																																																																																																																																																																																																																																																																																																																																																																																																																																												
	6,7	527	1,2	205,93	8,0	20,0	9,0	20,0																																																																																																																																																																																																																																																																																																																																																																																																																																																																																																																																												
	7,5	469	1,3	183,10	8,4	20,0	9,0	20,0																																																																																																																																																																																																																																																																																																																																																																																																																																																																																																																																												
	9,2	384	1,6	149,81	9,0	20,0	9,0	20,0																																																																																																																																																																																																																																																																																																																																																																																																																																																																																																																																												
	15	235	2,1	91,77	9,0	20,0	9,0	20,0																																																																																																																																																																																																																																																																																																																																																																																																																																																																																																																																												
	17	208	2,9	81,38	9,0	20,0	9,0	20,0					7,8	455	0,9	177,88	4,2	20,0	8,1	20,0	SK 9013.1 - 71 L/4	41	E82-83		9,8	362	1,1	141,29	5,6	20,0	8,9	20,0		6,7	527	0,8	205,93	2,5	20,0	7,4	20,0	SK 9012.1 - 71 L/4	36	E80-81		7,5	469	0,9	183,10	4,0	20,0	8,0	20,0		8,3	427	0,9	166,59	4,7	20,0	8,4	20,0		9,8	360	1,1	140,70	5,6	20,0	8,9	20,0		11	316	1,3	123,48	6,0	20,0	9,0	20,0		13	281	1,4	109,79	6,3	20,0	9,0	20,0		14	249	1,6	97,36	6,5	20,0	9,0	20,0		16	220	1,8	86,00	6,7	20,0	9,0	20,0		18	196	2,0	76,53	6,8	20,0	9,0	20,0		22	161	2,5	62,74	7,0	20,0	9,0	20,0																																																																																																																																																																																																																																																																																																																																																																																																																							
	7,8	455	0,9	177,88	4,2	20,0	8,1	20,0	SK 9013.1 - 71 L/4	41	E82-83																																																																																																																																																																																																																																																																																																																																																																																																																																																																																																																																									
	9,8	362	1,1	141,29	5,6	20,0	8,9	20,0					6,7	527	0,8	205,93	2,5	20,0	7,4	20,0	SK 9012.1 - 71 L/4	36	E80-81		7,5	469	0,9	183,10	4,0	20,0	8,0	20,0		8,3	427	0,9	166,59	4,7	20,0	8,4	20,0					9,8	360	1,1	140,70	5,6	20,0	8,9	20,0		11	316	1,3	123,48	6,0	20,0	9,0	20,0		13	281	1,4	109,79	6,3	20,0	9,0	20,0		14	249	1,6	97,36	6,5	20,0	9,0	20,0		16	220	1,8	86,00	6,7	20,0	9,0	20,0		18	196	2,0	76,53	6,8	20,0	9,0	20,0		22	161	2,5	62,74	7,0	20,0	9,0	20,0																																																																																																																																																																																																																																																																																																																																																																																																																																									
	6,7	527	0,8	205,93	2,5	20,0	7,4	20,0	SK 9012.1 - 71 L/4	36	E80-81																																																																																																																																																																																																																																																																																																																																																																																																																																																																																																																																									
	7,5	469	0,9	183,10	4,0	20,0	8,0	20,0																																																																																																																																																																																																																																																																																																																																																																																																																																																																																																																																												
	8,3	427	0,9	166,59	4,7	20,0	8,4	20,0																																																																																																																																																																																																																																																																																																																																																																																																																																																																																																																																												
	9,8	360	1,1	140,70	5,6	20,0	8,9	20,0																																																																																																																																																																																																																																																																																																																																																																																																																																																																																																																																												
	11	316	1,3	123,48	6,0	20,0	9,0	20,0																																																																																																																																																																																																																																																																																																																																																																																																																																																																																																																																												
	13	281	1,4	109,79	6,3	20,0	9,0	20,0																																																																																																																																																																																																																																																																																																																																																																																																																																																																																																																																												
	14	249	1,6	97,36	6,5	20,0	9,0	20,0																																																																																																																																																																																																																																																																																																																																																																																																																																																																																																																																												
	16	220	1,8	86,00	6,7	20,0	9,0	20,0																																																																																																																																																																																																																																																																																																																																																																																																																																																																																																																																												
	18	196	2,0	76,53	6,8	20,0	9,0	20,0																																																																																																																																																																																																																																																																																																																																																																																																																																																																																																																																												
	22	161	2,5	62,74	7,0	20,0	9,0	20,0																																																																																																																																																																																																																																																																																																																																																																																																																																																																																																																																												


0,37 kW



P ₁ [kW]	n ₂ [min ⁻¹]	M ₂ [Nm]	f _B	i _{ges}	F _R [kN]	F _A [kN]	F _{R VL} [kN]	F _{A VL} [kN]	Type	kg	mm
0,37	25	141	2,8	55,17	7,0	20,0	9,0	20,0	SK 9012.1 - 71 L/4	36	E80-81
	28	125	3,2	48,95	7,1	20,0	9,0	20,0			
	33	107	3,8	41,65	7,1	20,0	9,0	20,0			
	40	89	4,5	34,81	7,2	20,0	9,0	20,0			
	44	81	5,0	31,45	7,2	20,0	9,0	20,0			
	50	71	5,6	27,65	7,2	20,0	9,0	20,0			
	56	63	6,4	24,53	7,2	20,0	9,0	20,0			
	66	53	7,5	20,87	7,2	19,8	9,0	19,8			
	79	45	8,5	17,45	7,2	18,8	9,0	18,8			
	90	39	9,7	15,30	7,3	18,1	9,0	18,1			
	113	31	7,0	12,23	7,3	17,0	9,0	17,0			
	127	28	7,2	10,85	7,3	16,4	9,0	16,4			
	150	24	8,3	9,23	7,3	15,7	9,0	15,7			
	171	21	8,7	8,09	7,3	15,1	9,0	15,1			
	28	124	2,6	48,56	8,4	20,0	-	-			
32	111	2,8	43,28	8,4	20,0	-	-				
79	45	7,1	17,46	8,5	20,0	-	-				
25	142	1,1	55,49	6,4	15,0	-	-	SK 92372.1 - 71 L/4	19	E64-65	
28	127	1,1	49,46	6,4	15,0	-	-				
30	119	1,5	46,64	6,4	15,0	-	-				
33	106	1,7	41,46	6,5	15,0	-	-				
38	94	2,0	36,80	6,5	15,0	-	-				
42	84	2,4	32,80	6,5	15,0	-	-				
36	99	0,9	38,75	4,7	12,0	-	-	SK 92172.1 - 71 L/4	14	E62-63	
39	90	1,2	35,31	4,7	12,0	-	-				
45	79	1,4	31,00	4,8	12,0	-	-				
49	72	1,5	28,24	4,8	12,0	-	-				
56	63	1,9	24,80	4,8	12,0	-	-				
67	53	2,0	20,67	4,9	12,0	-	-				
91	39	2,4	15,23	4,9	12,0	-	-				
99	36	3,0	13,87	4,9	12,0	-	-				
112	32	3,4	12,34	4,9	12,0	-	-				
113	31	3,7	12,18	4,9	12,0	-	-				
51	70	0,9	27,16	5,0	9,0	-	-	SK 92072.1 - 71 L/4	12	E60-61	
57	62	1,3	24,07	5,0	9,0	-	-				
66	53	1,5	20,80	5,0	9,0	-	-				
75	47	1,3	18,52	5,0	9,0	-	-				
86	41	1,6	16,00	5,0	9,0	-	-				
108	33	1,8	12,78	5,0	9,0	-	-				
124	28	2,3	11,11	5,0	9,0	-	-				
140	25	3,0	9,85	5,0	9,0	-	-				
159	22	3,3	8,67	5,0	9,0	-	-				
182	19	3,7	7,58	5,0	9,0	-	-				
207	17	4,0	6,67	5,0	9,0	-	-				
237	15	4,8	5,83	4,8	9,0	-	-				
267	13	5,1	5,17	4,6	8,7	-	-				
296	12	5,5	4,65	4,5	8,5	-	-				
347	10	6,7	3,97	4,3	8,1	-	-				
385	9	7,2	3,58	4,1	7,8	-	-				

Helical-bevel gear units

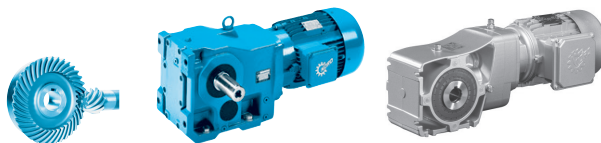


P ₁ [kW]	n ₂ [min ⁻¹]	M ₂ [Nm]	f _B	i _{ges}	F _R [kN]	F _A [kN]	F _{R VL} [kN]	F _{A VL} [kN]	Type	kg	mm 			
0,55	1,0	4985	1,7	1453,44	61,3	50,0	66,0	50,0	SK 9072.1/32 - 80 SH/4	362	E104-105 E114			
	1,2	4013	2,1	1169,97	63,0	50,0	66,0	50,0						
	1,5	3340	2,5	973,69	63,9	50,0	66,0	50,0						
	1,9	2633	3,2	767,55	64,6	50,0	66,0	50,0						
	1,0	5174	0,9	1398,80	13,6	45,0	32,6	45,0	SK 9053.1 - 80 SH/4	206	E102-103			
	1,3	3931	1,2	1062,85	22,5	45,0	37,2	45,0						
	1,5	3447	1,4	931,87	24,6	45,0	38,0	45,0						
	2,0	2603	1,5	703,83	27,4	45,0	38,0	45,0						
	2,4	2145	2,2	579,95	28,5	45,0	38,0	45,0						
	3,1	1696	2,8	458,57	29,4	45,0	38,0	45,0						
	4,1	1291	3,7	348,91	29,9	45,0	38,0	45,0						
	5,4	981	4,9	265,11	30,3	45,0	38,0	45,0						
	6,2	847	5,7	229,07	30,4	45,0	38,0	45,0						
	1,6	3261	0,9	881,60	18,7	40,0	28,0	40,0	SK 9043.1 - 80 SH/4	128	E98-99			
	2,2	2386	1,2	645,18	23,6	40,0	28,0	40,0						
	2,5	2101	1,3	568,04	24,7	40,0	28,0	39,7						
	4,0	1297	2,2	350,72	27,0	40,0	28,0	36,2						
	5,1	1034	2,7	279,60	27,4	40,0	28,0	34,5						
	2,6	1994	0,8	539,10	0,1	14,5	12,5	23,0	SK 9033.1 - 80 SH/4	74	E94-95			
	3,6	1475	1,1	398,77	8,8	14,5	15,0	22,5						
	4,0	1303	1,2	352,25	10,5	14,5	15,0	22,2						
	5,3	990	1,6	267,65	12,8	14,5	15,0	21,4						
	6,6	795	2,0	214,83	13,7	14,5	15,0	20,6						
	8,5	619	2,5	167,45	14,3	14,5	15,0	19,6						
	4,8	1094	1,4	295,85	12,1	14,5	15,0	21,7				SK 9032.1 - 80 SH/4	67	E92-93
	5,7	924	1,7	249,72	13,1	14,5	15,0	21,1						
	6,1	865	1,8	233,92	13,4	14,5	15,0	20,9						
	7,2	730	2,1	197,45	13,9	14,5	15,0	20,2						
	6,1	862	0,8	232,92	1,1	12,0	9,0	19,6	SK 9022.1 - 80 SH/4	46	E88-89			
	6,5	811	1,1	219,25	3,3	12,0	9,6	19,6						
	7,7	682	1,3	184,46	5,8	12,0	10,7	18,9						
	8,4	628	1,4	169,81	6,5	12,0	11,1	18,8						
	10	509	1,7	137,57	7,6	12,0	11,8	18,1						
	12	428	2,0	115,74	8,2	12,0	12,0	17,4						
	14	366	2,4	98,88	8,6	12,0	12,0	16,9						
	21	248	2,0	66,96	10,2	25,0	-	-						
	24	221	2,0	59,68	10,2	25,0	-	-	SK 92772.1 - 80 SH/4	43	E68-69			
	27	195	3,0	52,64	10,3	25,0	-	-						
	30	174	3,0	46,92	10,3	25,0	-	-						
	33	161	3,9	43,44	10,3	25,0	-	-						
	6,9	762	0,8	205,93	5,2	20,0	9,0	20,0				SK 9016.1 - 80 SH/4	39	E84-85
	7,8	677	0,9	183,10	6,5	20,0	9,0	20,0						
	9,5	554	1,1	149,81	7,8	20,0	9,0	20,0						
	10	527	1,2	142,41	8,0	20,0	9,0	20,0						
	12	431	1,4	116,52	8,7	20,0	9,0	20,0						
	15	339	1,5	91,77	9,0	20,0	9,0	20,0						
	17	301	2,0	81,38	9,0	20,0	9,0	20,0						
	20	266	2,3	71,88	9,0	20,0	9,0	20,0						
	22	237	2,6	63,97	9,0	20,0	9,0	20,0						
	10	520	0,8	140,70	2,7	20,0	7,4	20,0	SK 9012.1 - 80 SH/4	38	E80-81			
	11	457	0,9	123,48	4,2	20,0	8,1	20,0						
	13	406	1,0	109,79	5,0	20,0	8,6	20,0						
	15	360	1,1	97,36	5,6	20,0	8,9	20,0						
	17	318	1,3	86,00	6,0	20,0	9,0	20,0						
	19	283	1,4	76,53	6,3	20,0	9,0	20,0						
	23	232	1,7	62,74	6,6	20,0	9,0	20,0						
	26	204	2,0	55,17	6,8	20,0	9,0	20,0						
	29	181	2,2	48,95	6,9	20,0	9,0	20,0						
	34	154	2,6	41,65	7,0	20,0	9,0	20,0						
	41	129	3,1	34,81	7,1	20,0	9,0	20,0						
	45	116	3,4	31,45	7,1	20,0	9,0	20,0						

Helical-bevel gear units

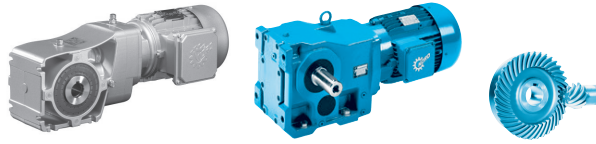
0,55 kW


IE2



P ₁ [kW]	n ₂ [min ⁻¹]	M ₂ [Nm]	f _B	i _{ges}	F _R [kN]	F _A [kN]	F _{R VL} [kN]	F _{A VL} [kN]	Type	kg	mm
0,55	51	102	3,9	27,65	7,2	20,0	9,0	20,0	SK 9012.1 - 80 SH/4	38	E80-81
	58	91	4,4	24,53	7,2	20,0	9,0	20,0			
	68	77	5,2	20,87	7,2	19,4	9,0	19,4			
	81	65	5,9	17,45	7,2	18,5	9,0	18,5			
	93	57	6,7	15,30	7,2	17,8	9,0	17,8			
	116	45	4,9	12,23	7,2	16,7	9,0	16,7			
	131	40	5,0	10,85	7,3	16,1	9,0	16,1			
	154	34	5,7	9,23	7,3	15,4	9,0	15,4			
	176	30	6,0	8,09	7,3	14,8	9,0	14,8			
	29	180	1,8	48,56	8,2	20,0	-	-			
	33	160	1,9	43,28	8,3	20,0	-	-			
	38	140	2,3	37,82	8,3	20,0	-	-			
	42	125	2,9	33,71	8,4	20,0	-	-			
	46	113	2,8	30,67	8,4	20,0	-	-			
	52	101	3,6	27,33	8,4	20,0	-	-			
	30	173	1,1	46,64	6,2	15,0	-	-			
	34	153	1,2	41,46	6,3	15,0	-	-			
39	136	1,4	36,80	6,4	15,0	-	-				
43	121	1,6	32,80	6,4	15,0	-	-				
51	104	1,8	28,11	6,5	15,0	-	-				
57	93	2,4	25,06	6,5	15,0	-	-				
63	83	2,2	22,49	6,5	15,0	-	-				
71	74	3,0	20,04	6,5	15,0	-	-				
77	68	2,7	18,33	6,6	15,0	-	-				
90	59	3,1	15,84	6,6	15,0	-	-				
101	52	4,2	14,12	6,6	15,0	-	-				
50	104	1,0	28,24	4,7	12,0	-	-				
57	92	1,3	24,80	4,7	12,0	-	-				
69	76	1,4	20,67	4,8	12,0	-	-				
93	56	1,7	15,23	4,9	12,0	-	-				
102	51	2,1	13,87	4,9	12,0	-	-				
115	46	2,4	12,34	4,9	12,0	-	-				
117	45	2,5	12,18	4,9	12,0	-	-				
131	40	2,8	10,83	4,9	12,0	-	-				
140	38	2,5	10,15	4,9	12,0	-	-				
68	77	1,1	20,80	5,0	9,0	-	-				
89	59	1,1	16,00	5,0	9,0	-	-				
111	47	1,2	12,78	5,0	9,0	-	-				
128	41	1,6	11,11	5,0	9,0	-	-				
144	36	2,1	9,85	5,0	9,0	-	-				
164	32	2,3	8,67	5,0	9,0	-	-				
187	28	2,6	7,58	5,0	9,0	-	-				
213	25	2,8	6,67	4,8	9,0	-	-				
244	22	3,3	5,83	4,7	8,8	-	-				
275	19	3,5	5,17	4,5	8,5	-	-				
305	17	3,8	4,65	4,4	8,2	-	-				
357	15	4,6	3,97	4,2	7,8	-	-				
397	13	5,0	3,58	4,0	7,6	-	-				
									SK 92672.1 - 80 SH/4	31	E66-67
									SK 92372.1 - 80 SH/4	20	E64-65
									SK 92172.1 - 80 SH/4	16	E62-63
									SK 92072.1 - 80 SH/4	14	E60-61

Helical-bevel gear units



P ₁ [kW]	n ₂ [min ⁻¹]	M ₂ [Nm]	f _B	i _{ges}	F _R [kN]	F _A [kN]	F _{R VL} [kN]	F _{A VL} [kN]	Type	kg	mm 				
0,75	1,2	5588	1,5	1169,97	60,1	50,0	66,0	50,0	SK 9072.1/32 - 80 LP/4	364	E104-105 E114				
	1,5	4659	1,8	973,69	61,9	50,0	66,0	50,0							
	1,8	3666	2,3	767,55	63,4	50,0	66,0	50,0							
	2,4	2856	3,0	598,27	64,4	50,0	66,0	50,0							
	1,3	1,3	5375	0,9	1062,85	11,2	45,0	31,7	45,0	SK 9053.1 - 80 LP/4	208	E102-103			
		1,5	4713	1,0	931,87	17,7	45,0	34,5	45,0						
		2,0	3562	1,1	703,83	24,2	45,0	38,0	45,0						
		2,4	2938	1,6	579,95	26,5	45,0	38,0	45,0						
		3,1	2323	2,1	458,57	28,1	45,0	38,0	45,0						
		4,1	1766	2,7	348,91	29,2	45,0	38,0	45,0						
		5,3	1339	3,6	265,11	29,9	45,0	38,0	45,0						
		6,2	1159	4,1	229,07	30,1	45,0	38,0	45,0						
2,2	2,2	3263	0,9	645,18	18,6	40,0	28,0	36,8	SK 9043.1 - 80 LP/4	130	E98-99				
	2,5	2874	1,0	568,04	21,2	40,0	28,0	36,8							
	4,0	1774	1,6	350,72	25,8	40,0	28,0	34,5							
	5,1	1412	2,0	279,60	26,7	40,0	28,0	33,1							
	6,9	1033	2,7	204,38	27,4	40,0	28,0	31,1							
	8,2	871	3,2	172,08	27,7	40,0	28,0	30,0							
3,5	3,5	2022	0,8	398,77	0,1	14,5	12,2	20,1	SK 9033.1 - 80 LP/4	76	E94-95				
	4,0	1787	0,9	352,25	2,2	14,5	14,6	20,1							
	5,3	1355	1,1	267,65	10,1	14,5	15,0	19,8							
	6,6	1089	1,4	214,83	12,2	14,5	15,0	19,3							
	8,4	848	1,8	167,45	13,5	14,5	15,0	18,6							
	4,8	4,8	1499	1,0	295,85	8,5	14,5	15,0				19,9	SK 9032.1 - 80 LP/4	68	E92-93
5,7		1265	1,2	249,72	10,9	14,5	15,0	19,6							
6,0		1185	1,3	233,92	11,5	14,5	15,0	19,5							
7,2		1001	1,5	197,45	12,7	14,5	15,0	19,0							
13		562	2,8	110,77	14,5	14,5	15,0	17,3							
15		474	3,3	93,50	14,7	14,5	15,0	16,7							
6,5		6,5	1110	0,8	219,25	0,1	12,0	4,8	17,9	SK 9022.1 - 80 LP/4	48	E88-89			
	7,7	934	0,9	184,46	0,2	12,0	8,1	17,5							
	8,3	860	1,0	169,81	1,3	12,0	9,0	17,5							
	10	697	1,2	137,57	5,6	12,0	10,6	17,1							
	12	586	1,5	115,74	7,0	12,0	11,3	16,5							
	14	501	1,7	98,88	7,7	12,0	11,8	16,2							
	17	431	2,0	85,11	8,2	12,0	12,0	15,7							
	18	399	2,2	78,89	8,4	12,0	12,0	15,5							
	21	336	2,6	66,42	8,7	12,0	12,0	14,9							
	24	295	2,9	58,25	8,9	12,0	12,0	14,5							
	21	21	339	1,4	66,96	10,0	25,0	10,0	25,0				SK 92772.1 - 80 LP/4	45	E68-69
		24	302	1,4	59,68	10,1	25,0	10,1	25,0						
27		266	2,2	52,64	10,2	25,0	10,2	25,0							
30		237	2,2	46,92	10,2	25,0	10,2	25,0							
33		220	2,9	43,44	10,2	25,0	10,2	25,0							
9,4	9,4	758	0,8	149,81	5,2	20,0	9,0	20,0	SK 9016.1 - 80 LP/4	41	E84-85				
	9,9	721	0,8	142,41	5,9	20,0	9,0	20,0							
	12	590	1,0	116,52	7,5	20,0	9,0	20,0							
	15	465	1,1	91,77	8,5	20,0	9,0	20,0							
	17	412	1,5	81,38	8,8	20,0	9,0	20,0							
	20	364	1,6	71,88	9,0	20,0	9,0	20,0							
	22	324	1,9	63,97	9,0	20,0	9,0	20,0							
	27	265	2,3	52,44	9,0	20,0	9,0	20,0							
	31	234	2,6	46,11	9,0	20,0	9,0	20,0							
	35	207	2,9	40,92	9,0	20,0	9,0	20,0							
15	15	493	0,8	97,36	3,5	20,0	7,8	20,0	SK 9012.1 - 80 LP/4	40	E80-81				
	16	436	0,9	86,00	4,6	20,0	8,3	20,0							
	18	388	1,0	76,53	5,3	20,0	8,7	20,0							
	23	318	1,3	62,74	6,0	20,0	9,0	20,0							
	26	280	1,4	55,17	6,3	20,0	9,0	20,0							
	29	248	1,6	48,95	6,5	20,0	9,0	20,0							
	34	211	1,9	41,65	6,7	20,0	9,0	20,0							
	41	176	2,3	34,81	6,9	20,0	9,0	20,0							
	45	159	2,5	31,45	7,0	20,0	9,0	20,0							

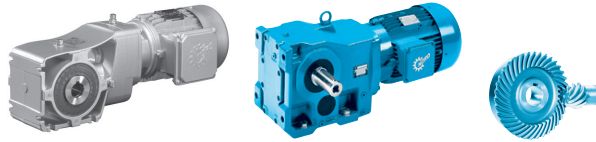
Helical-bevel gear units


0,75 kW



P ₁ [kW]	n ₂ [min ⁻¹]	M ₂ [Nm]	f _B	i _{ges}	F _R [kN]	F _A [kN]	F _{R VL} [kN]	F _{A VL} [kN]	Type	kg	mm 				
0,75	51	140	2,9	27,65	7,0	20,0	9,0	20,0	SK 9012.1 - 80 LP/4	40	E80-81				
	58	124	3,2	24,53	7,1	19,9	9,0	19,9							
	68	106	3,8	20,87	7,1	19,1	9,0	19,1							
	81	88,5	4,3	17,45	7,2	18,2	9,0	18,2							
	93	77,3	4,9	15,30	7,2	17,6	9,0	17,6							
	115	62,1	3,5	12,23	7,2	16,5	9,0	16,5							
	130	55,0	3,6	10,85	7,2	15,9	9,0	15,9							
	153	46,9	4,2	9,23	7,2	15,2	9,0	15,2							
	175	40,9	4,4	8,09	7,3	14,8	9,0	14,8							
		29	246	1,3	48,56	8,0	20,0	8,0				20,0	SK 92672.1 - 80 LP/4	34	E66-67
		33	219	1,4	43,28	8,1	20,0	8,1				20,0			
		37	191	1,7	37,82	8,2	20,0	8,2				20,0			
		42	171	2,1	33,71	8,3	20,0	8,3				20,0			
		46	155	2,0	30,67	8,3	20,0	8,3				20,0			
		52	138	2,6	27,33	8,3	20,0	8,3				20,0			
		71	101	3,1	20,00	8,4	20,0	8,4				20,0			
	81	88,4	3,6	17,46	8,4	20,0	8,4	20,0							
	34	210	0,9	41,46	5,8	15,0	6,1	15,0	SK 92372.1 - 80 LP/4	23	E64-65				
	38	186	1,0	36,80	6,0	15,0	6,2	15,0							
	43	166	1,2	32,80	6,1	15,0	6,3	15,0							
	50	142	1,3	28,11	6,2	15,0	6,4	15,0							
	56	127	1,7	25,06	6,2	15,0	6,5	15,0							
	63	114	1,6	22,49	6,2	15,0	6,5	15,0							
	71	101	2,2	20,04	6,3	15,0	6,5	15,0							
	77	92,8	2,0	18,33	6,3	15,0	6,5	15,0							
	89	80,2	2,3	15,84	6,3	15,0	6,6	15,0							
	100	71,5	3,0	14,12	6,4	15,0	6,6	15,0							
	113	63,6	2,9	12,56	6,4	15,0	6,6	15,0							
	126	56,7	3,8	11,20	6,4	15,0	6,6	15,0							
	137	52,3	4,2	10,33	6,4	15,0	6,6	15,0							
	138	51,7	3,6	10,22	6,4	15,0	6,6	15,0							
	50	143	0,8	28,24	4,4	11,6	4,4	11,6	SK 92172.1 - 80 LP/4	18	E62-63				
	57	126	1,0	24,80	4,5	11,6	4,5	11,6							
	68	105	1,0	20,67	4,7	11,6	4,7	11,6							
	93	77,1	1,2	15,23	4,8	11,6	4,8	11,6							
	102	70,2	1,5	13,87	4,8	11,6	4,8	11,6							
	115	62,4	1,7	12,34	4,9	11,6	4,9	11,6							
	116	61,7	1,8	12,18	4,9	11,6	4,9	11,6							
	131	54,8	2,1	10,83	4,9	11,6	4,9	11,6							
	139	51,4	1,8	10,15	4,9	11,6	4,9	11,6							
	149	48,0	2,2	9,49	4,9	11,6	4,9	11,6							
	157	45,7	2,1	9,03	4,9	11,6	4,9	11,6							
	170	42,2	2,7	8,33	4,9	11,5	4,9	11,5							
	181	39,6	2,8	7,83	4,9	11,3	4,9	11,3							
	204	35,1	3,1	6,94	4,9	10,9	4,9	10,9							
	68	105	0,8	20,80	4,9	9,0	4,9	9,0	SK 92072.1 - 80 LP/4	16	E60-61				
	88	81,0	0,8	16,00	5,0	9,0	5,0	9,0							
	111	64,7	0,9	12,78	5,0	9,0	4,8	9,0							
	127	56,2	1,2	11,11	5,0	9,0	4,6	9,0							
	144	49,8	1,5	9,85	5,0	9,0	4,5	9,0							
	163	43,9	1,7	8,67	5,0	9,0	4,3	9,0							
	187	38,3	1,9	7,58	5,0	9,0	4,2	9,0							
	212	33,7	2,0	6,67	4,9	8,8	4,1	8,8							
	243	29,5	2,4	5,83	4,6	8,6	3,9	8,6							
	274	26,2	2,6	5,17	4,5	8,3	3,8	8,3							
	304	23,6	2,8	4,65	4,3	8,0	3,6	8,0							
	356	20,1	3,4	3,97	4,2	7,6	3,5	7,6							
	395	18,1	3,6	3,58	4,0	7,4	3,4	7,4							

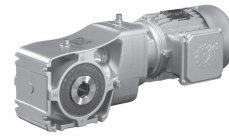
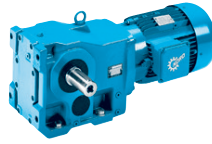
Helical-bevel gear units



P ₁ [kW]	n ₂ [min ⁻¹]	M ₂ [Nm]	f _B	i _{ges}	F _R [kN]	F _A [kN]	F _{R VL} [kN]	F _{A VL} [kN]	Type	kg	mm 
1,10	1,0	10460	3,1	1424,80	96,2	70,0	160,0	70,0	SK 9092.1/52 - 90 SP/4	1490	E110-111 E115
	1,2	8842	2,3	1202,18	100,0	65,0	120,0	65,0	SK 9086.1/52 - 90 SP/4	921	E108-109 E114
	1,6	6683	3,0	907,88	102,2	65,0	120,0	65,0			
	1,4	7478	1,7	1017,77	92,6	60,0	95,0	60,0	SK 9082.1/42 - 90 SP/4	646	E106-107 E114
	1,7	6210	2,1	845,38	93,9	60,0	95,0	60,0			
	2,0	5179	2,5	704,48	94,8	60,0	95,0	60,0			
	2,4	4429	2,9	603,37	95,0	60,0	95,0	60,0			
	0,99	10640	0,8	1453,44	41,7	50,0	66,0	50,0	SK 9072.1/32 - 90 SP/4	369	E104-105 E114
	1,2	8567	1,0	1169,97	51,5	50,0	66,0	50,0			
	1,5	7143	1,2	973,69	56,3	50,0	66,0	50,0			
	1,9	5620	1,5	767,55	60,1	50,0	66,0	50,0			
	2,4	4379	1,9	598,27	62,4	50,0	66,0	50,0			
	3,0	3459	2,5	473,22	63,7	50,0	66,0	50,0			
	3,7	2826	3,0	385,88	64,4	50,0	66,0	50,0			
	4,6	2278	3,7	311,10	64,9	50,0	66,0	50,0			
	2,0	5169	0,8	703,83	13,9	45,0	32,7	45,0	SK 9053.1 - 90 SP/4	213	E102-103
	2,5	4265	1,1	579,95	20,8	45,0	36,2	45,0			
	3,1	3372	1,4	458,57	25,0	45,0	38,0	45,0			
	4,1	2563	1,9	348,91	27,5	45,0	38,0	45,0			
5,4	1944	2,5	265,11	28,9	45,0	38,0	45,0				
6,2	1682	2,9	229,07	29,4	45,0	38,0	45,0				
4,9	2127	2,3	289,61	28,6	45,0	38,0	45,0	SK 9052.1 - 90 SP/4	195	E100-101	
5,8	1817	2,6	247,06	29,2	45,0	38,0	45,0				
9,8	1067	3,4	145,16	30,2	45,0	38,0	45,0				
12	882	5,4	120,03	30,4	45,0	38,0	45,0				
14	753	6,4	102,40	30,5	45,0	38,0	45,0				
3,5	2972	0,9	404,82	20,7	40,0	28,0	31,3	SK 9043.1 - 90 SP/4	135	E98-99	
4,1	2574	1,1	350,72	22,8	40,0	28,0	31,3				
5,1	2049	1,4	279,60	24,9	40,0	28,0	30,7				
7,0	1499	1,9	204,38	26,5	40,0	28,0	29,2				
8,3	1264	2,2	172,08	27,0	40,0	28,0	28,4				
4,3	2421	1,2	329,69	23,5	40,0	28,0	31,1	SK 9042.1 - 90 SP/4	120	E96-97	
5,2	2011	1,4	273,73	25,1	40,0	28,0	30,3				
6,1	1725	1,6	235,01	25,9	40,0	28,0	29,9				
7,3	1433	2,0	195,12	26,7	40,0	28,0	28,9				
8,6	1215	1,2	165,24	27,1	40,0	28,0	28,2				
12	865	2,8	117,79	27,7	40,0	28,0	26,3				
5,3	1967	0,8	267,65	0,4	14,5	12,9	17,0	SK 9033.1 - 90 SP/4	81	E94-95	
6,6	1580	1,0	214,83	7,4	14,5	15,0	17,1				
8,5	1231	1,3	167,45	11,2	14,5	15,0	16,9				
5,7	1837	0,8	249,72	0,5	14,5	14,2	16,9	SK 9032.1 - 90 SP/4	73	E92-93	
6,1	1720	0,9	233,92	4,8	14,5	15,0	17,1				
7,2	1452	1,1	197,45	9,1	14,5	15,0	16,9				
7,6	1383	1,1	188,06	9,8	14,5	15,0	17,0				
9,0	1167	1,3	158,74	11,7	14,5	15,0	16,7				
10	1025	1,5	139,44	12,6	14,5	15,0	16,6				
12	865	1,8	117,70	13,4	14,5	15,0	16,2				
13	815	1,9	110,77	13,6	14,5	15,0	16,1				
15	688	2,3	93,50	14,1	14,5	15,0	15,7				
17	618	2,5	84,17	14,2	14,5	15,0	15,4				
19	558	2,8	75,91	13,9	14,5	15,0	15,1				
22	471	3,3	64,08	13,4	14,5	15,0	14,6				
24	434	3,6	59,17	13,1	14,5	15,0	14,4				
10	1011	0,9	137,57	0,1	12,0	7,0	15,3	SK 9022.1 - 90 SP/4	53	E88-89	
12	850	1,0	115,74	2,0	12,0	9,2	15,0				
14	727	1,2	98,88	5,2	12,0	10,4	14,9				
17	626	1,4	85,11	6,6	12,0	11,1	14,6				
18	579	1,5	78,89	7,0	12,0	11,4	14,4				

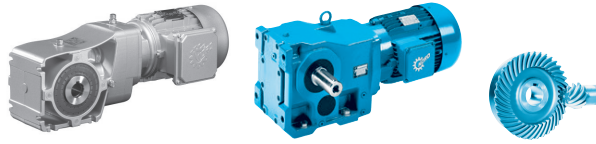
Helical-bevel gear units


1,10 kW



P ₁ [kW]	n ₂ [min ⁻¹]	M ₂ [Nm]	f _B	i _{ges}	F _R [kN]	F _A [kN]	F _{R VL} [kN]	F _{A VL} [kN]	Type	kg	mm
1,10	22	488	1,8	66,42	7,8	12,0	11,9	14,1	SK 9022.1 - 90 SP/4	53	E88-89
	25	428	2,0	58,25	8,2	12,0	12,0	13,7			
	27	383	2,2	52,02	8,5	12,0	12,0	13,4			
	29	360	2,4	49,01	8,6	12,0	12,0	13,2			
	32	329	2,6	44,71	8,7	12,0	12,0	13,1			
	36	292	2,9	39,77	8,9	12,0	12,0	12,7			
	21	492	1,0	66,96	9,4	25,0	9,4	25,0	SK 92772.1 - 90 SP/4	50	E68-69
	24	438	1,0	59,68	9,6	25,0	9,6	25,0			
	27	387	1,5	52,64	9,8	25,0	9,8	25,0			
	30	345	1,5	46,92	9,9	25,0	9,9	25,0			
	33	319	2,0	43,44	10,0	25,0	10,0	25,0			
	36	289	2,2	39,32	10,1	25,0	10,1	25,0			
	41	257	2,6	35,04	10,2	25,0	10,2	25,0			
	52	203	3,1	27,65	10,3	25,0	10,3	25,0			
	56	186	3,4	25,34	10,3	25,0	10,3	25,0			
	58	181	3,6	24,64	10,3	25,0	10,3	25,0			
	63	166	3,9	22,59	10,3	25,0	10,3	25,0			
	68	155	4,1	21,14	10,4	25,0	10,4	25,0			
	18	598	1,0	81,38	7,4	20,0	9,0	20,0			
	20	528	1,1	71,88	8,0	20,0	9,0	20,0			
	22	471	1,3	63,97	8,5	20,0	9,0	20,0			
	27	385	1,6	52,44	9,0	20,0	9,0	20,0			
	31	339	1,8	46,11	9,0	20,0	9,0	20,0			
	35	300	2,0	40,92	9,0	20,0	9,0	20,0			
	41	256	2,3	34,81	9,0	20,0	9,0	20,0			
	47	224	2,7	30,52	9,0	20,0	9,0	20,0			
	54	193	3,1	26,29	9,0	19,6	9,0	19,6			
	23	461	0,9	62,74	4,2	20,0	8,1	20,0	SK 9012.1 - 90 SP/4	45	E80-81
	26	406	1,0	55,17	5,0	20,0	8,6	20,0			
	29	359	1,1	48,95	5,6	20,0	8,9	20,0			
	34	306	1,3	41,65	6,1	20,0	9,0	20,0			
	41	256	1,6	34,81	6,5	20,0	9,0	20,0			
	45	231	1,7	31,45	6,6	20,0	9,0	20,0			
	52	204	2,0	27,65	6,8	19,8	9,0	19,8			
	58	180	2,2	24,53	6,9	19,3	9,0	19,3			
	68	154	2,6	20,87	7,0	18,5	9,0	18,5			
	82	128	3,0	17,45	7,1	17,7	9,0	17,7			
	94	112	3,4	15,30	7,1	17,2	9,0	17,2			
	117	90,1	2,4	12,23	7,2	16,1	9,0	16,1			
	132	79,8	2,5	10,85	7,2	15,6	9,0	15,6			
	154	68,0	2,9	9,23	7,2	14,9	9,0	14,9			
	177	59,4	3,0	8,09	7,2	14,4	9,0	14,4			
	29	357	0,9	48,56	7,5	20,0	7,5	20,0	SK 92672.1 - 90 SP/4	38	E66-67
	33	318	1,0	43,28	7,7	20,0	7,7	20,0			
	38	278	1,1	37,82	7,9	20,0	7,9	20,0			
	42	248	1,5	33,71	8,0	20,0	8,0	20,0			
	47	225	1,4	30,67	8,1	20,0	8,1	20,0			
	52	201	1,8	27,33	8,2	20,0	8,2	20,0			
	57	183	2,0	24,88	8,2	20,0	8,2	20,0			
	72	147	2,1	20,00	8,3	20,0	8,3	20,0			
	79	134	2,6	18,21	8,3	20,0	8,3	20,0			
	82	128	2,5	17,46	8,3	20,0	8,3	20,0			
	92	114	3,2	15,56	8,4	20,0	8,4	20,0			
	99	106	3,0	14,40	8,4	20,0	8,4	20,0			
	111	94,3	3,8	12,84	8,4	20,0	8,4	20,0			
	44	241	0,8	32,80	5,6	15,0	5,9	15,0			
	51	206	0,9	28,11	5,8	15,0	6,1	15,0			
	57	184	1,2	25,06	6,0	15,0	6,2	15,0			
	64	165	1,1	22,49	6,1	15,0	6,3	15,0			
	71	147	1,5	20,04	6,1	15,0	6,4	15,0			
	78	135	1,4	18,33	6,2	15,0	6,4	15,0			
	90	116	1,6	15,84	6,2	15,0	6,5	15,0			
	101	104	2,1	14,12	6,3	15,0	6,5	15,0			
	114	92,3	2,0	12,56	6,3	15,0	6,5	15,0			
	128	82,3	2,7	11,20	6,3	15,0	6,6	15,0			
	138	75,9	2,9	10,33	6,3	15,0	6,6	15,0			

Helical-bevel gear units

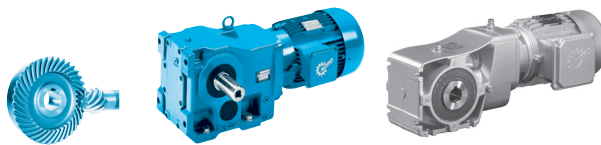


P ₁ [kW]	n ₂ [min ⁻¹]	M ₂ [Nm]	f _B	i _{ges}	F _R [kN]	F _A [kN]	F _{R VL} [kN]	F _{A VL} [kN]	Type	kg	mm 
1,10	140	75,1	2,5	10,22	6,3	15,0	6,6	15,0	SK 92372.1 - 90 SP/4	28	E64-65
	157	66,9	3,3	9,11	6,4	15,0	6,6	15,0			
	175	60,2	3,5	8,19	6,4	15,0	6,6	15,0			
	204	51,5	3,9	7,01	6,4	15,0	6,4	15,0			
	214	49,0	4,2	6,67	6,4	15,0	6,4	15,0			
	245	42,8	4,4	5,83	6,4	14,7	6,1	14,7			
	151	69,7	1,5	9,49	4,8	11,4	4,8	11,4	SK 92172.1 - 90 SP/4	23	E62-63
	172	61,2	1,9	8,33	4,9	11,0	4,9	11,0			
	183	57,5	1,9	7,83	4,9	10,8	4,9	10,8			
	206	51,0	2,2	6,94	4,9	10,4	4,8	10,4			
	219	48,0	1,9	6,53	4,9	10,3	4,7	10,3			
	248	42,4	2,2	5,77	4,9	10,1	4,5	10,1			
	272	38,6	2,8	5,26	4,9	9,8	4,4	9,8			
	292	35,9	3,0	4,89	4,9	9,6	4,3	9,6			
	333	31,6	3,4	4,30	4,9	9,3	4,2	9,3			
	245	42,8	1,7	5,83	4,5	8,1	3,7	8,1	SK 92072.1 - 90 SP/4	21	E60-61
	277	38,0	1,8	5,17	4,3	7,9	3,6	7,9			
	307	34,2	1,9	4,65	4,2	7,7	3,5	7,7			
	360	29,2	2,3	3,97	4,1	7,3	3,4	7,3			
	399	26,3	2,5	3,58	4,0	7,1	3,3	7,1			
1,50	0,99	14420	2,2	1424,80	88,7	70,0	155,3	70,0	SK 9092.1/52 - 90 LP/4	1490	E110-111 E115
	1,3	11330	2,8	1120,00	94,6	70,0	160,0	70,0			
	1,2	12190	1,6	1202,18	95,2	65,0	114,0	65,0	SK 9086.1/52 - 90 LP/4	923	E108-109 E114
	1,6	9210	2,2	907,88	99,6	65,0	120,0	65,0			
	2,0	7236	2,8	714,15	101,7	65,0	120,0	65,0			
	1,4	10300	1,3	1017,77	88,6	60,0	95,0	60,0	SK 9082.1/42 - 90 LP/4	648	E106-107 E114
	1,7	8558	1,5	845,38	91,2	60,0	95,0	60,0			
	2,0	7137	1,8	704,48	93,0	60,0	95,0	60,0			
	2,3	6103	2,1	603,37	94,0	60,0	95,0	60,0			
	3,2	4498	2,9	443,41	95,0	60,0	95,0	60,0			
	1,5	9844	0,9	973,69	45,9	50,0	66,0	50,0	SK 9072.1/32 - 90 LP/4	371	E104-105 E114
	1,8	7745	1,1	767,55	54,3	50,0	66,0	50,0			
	2,4	6034	1,4	598,27	59,1	50,0	66,0	50,0			
	3,0	4767	1,8	473,22	61,7	50,0	66,0	50,0			
	3,7	3895	2,2	385,88	63,1	50,0	66,0	50,0			
	4,6	3139	2,7	311,10	64,1	50,0	66,0	50,0			
	3,1	4647	1,0	458,57	18,3	45,0	34,8	45,0	SK 9053.1 - 90 LP/4	215	E102-103
	4,1	3531	1,4	348,91	24,3	45,0	38,0	45,0			
	5,3	2679	1,8	265,11	27,2	45,0	38,0	45,0			
	6,2	2318	2,1	229,07	28,1	45,0	38,0	45,0			
	8,6	1670	2,9	164,99	29,4	45,0	38,0	45,0			
	4,9	2932	1,6	289,61	26,5	45,0	38,0	45,0	SK 9052.1 - 90 LP/4	197	E100-101
	5,7	2504	1,9	247,06	27,7	45,0	38,0	45,0			
	9,7	1471	2,4	145,16	29,7	45,0	38,0	45,0			
	12	1215	4,0	120,03	30,0	45,0	38,0	45,0			
	14	1038	4,6	102,40	30,2	45,0	38,0	45,0			
	4,0	3547	0,8	350,72	16,3	40,0	28,0	27,8	SK 9043.1 - 90 LP/4	137	E98-99
	5,1	2824	1,0	279,60	21,4	40,0	28,0	27,8			
	6,9	2066	1,4	204,38	24,8	40,0	28,0	27,2			
	8,2	1742	1,6	172,08	25,9	40,0	28,0	26,7			
4,3	3336	0,8	329,69	18,1	40,0	28,0	27,8	SK 9042.1 - 90 LP/4	122	E96-97	
5,2	2772	1,0	273,73	21,8	40,0	28,0	27,5				
6,0	2377	1,2	235,01	23,6	40,0	28,0	27,5				
7,3	1975	1,4	195,12	25,1	40,0	28,0	26,9				
8,6	1674	0,9	165,24	26,1	40,0	28,0	26,6				
12	1193	2,0	117,79	27,1	40,0	28,0	25,2				
15	967	2,9	95,56	27,5	40,0	28,0	24,3				
16	876	3,2	86,43	27,7	40,0	28,0	23,8				

Helical-bevel gear units

1,50 kW

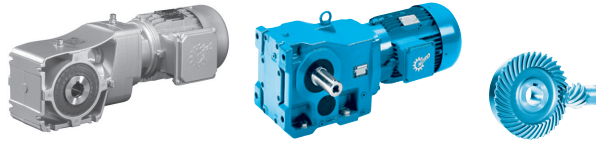
IE3




NORD
DRIVESYSTEMS

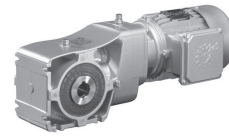
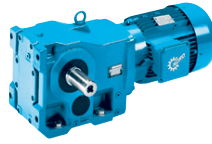
P ₁ [kW]	n ₂ [min ⁻¹]	M ₂ [Nm]	f _B	i _{ges}	F _R [kN]	F _A [kN]	F _{R VL} [kN]	F _{A VL} [kN]	Type	kg	mm
1,50	7,2	2001	0,8	197,45	0,1	14,5	12,5	14,6	SK 9032.1 - 90 LP/4	75	E92-93
	7,5	1905	0,8	188,06	0,1	14,5	13,5	14,8			
	8,9	1609	1,0	158,74	6,9	14,5	15,0	14,8			
	10	1412	1,1	139,44	9,5	14,5	15,0	15,0			
	12	1192	1,3	117,70	11,4	14,5	15,0	14,8			
	13	1123	1,4	110,77	11,9	14,5	15,0	14,8			
	15	948	1,6	93,50	13,0	14,5	15,0	14,5			
	17	852	1,8	84,17	13,2	14,5	15,0	14,4			
	19	769	2,0	75,91	13,0	14,5	15,0	14,3			
	22	649	2,4	64,08	12,6	14,5	15,0	13,9			
	24	599	2,6	59,17	12,5	14,5	15,0	13,7			
	28	506	3,1	49,94	12,0	14,5	15,0	13,3			
	30	483	3,2	47,70	11,9	14,5	15,0	13,2			
	35	409	3,8	40,36	11,5	14,5	15,0	12,8			
	14	1001	0,9	98,88	0,1	12,0	7,1	13,4	SK 9022.1 - 90 LP/4	55	E88-89
	17	863	1,0	85,11	1,1	12,0	9,0	13,4			
	18	798	1,1	78,89	3,7	12,0	9,7	13,3			
	21	673	1,3	66,42	6,0	12,0	10,8	13,1			
	24	590	1,5	58,25	6,9	12,0	11,3	12,9			
	27	527	1,6	52,02	7,5	12,0	11,7	12,7			
	29	496	1,7	49,01	7,7	12,0	11,8	12,5			
	32	454	1,9	44,71	8,1	12,0	12,0	12,4			
	36	402	2,1	39,77	8,4	12,0	12,0	12,2			
	43	337	2,6	33,26	8,7	12,0	12,0	11,7			
	45	318	2,6	31,38	8,8	12,0	12,0	11,7			
	48	296	2,9	29,20	8,9	12,0	12,0	11,5			
	27	533	1,1	52,64	9,2	25,0	9,2	25,0	SK 9272.1 - 90 LP/4	52	E68-69
	30	475	1,1	46,92	9,5	25,0	9,5	25,0			
	33	440	1,4	43,44	9,6	25,0	9,6	25,0			
	36	398	1,6	39,32	9,8	25,0	9,8	25,0			
	40	355	1,9	35,04	9,9	25,0	9,9	25,0			
	51	280	2,3	27,65	10,1	25,0	10,1	25,0			
	56	257	2,5	25,34	10,2	25,0	10,2	25,0			
	57	249	2,6	24,64	10,2	25,0	10,2	25,0			
	63	229	2,8	22,59	10,2	25,0	10,2	25,0			
	67	214	2,9	21,14	10,3	25,0	10,3	25,0			
	74	194	3,2	19,17	10,3	25,0	10,3	25,0			
	75	191	3,4	18,84	10,3	25,0	10,3	25,0			
	83	173	3,7	17,08	10,3	25,0	10,3	25,0			
	20	728	0,8	71,88	5,8	20,0	9,0	20,0	SK 9016.1 - 90 LP/4	48	E84-85
	22	649	0,9	63,97	6,8	20,0	9,0	20,0			
	27	531	1,1	52,44	8,0	20,0	9,0	20,0			
	31	467	1,3	46,11	8,5	20,0	9,0	20,0			
	35	414	1,5	40,92	8,8	20,0	9,0	20,0			
	41	353	1,7	34,81	9,0	19,8	9,0	19,8			
	46	308	1,9	30,52	9,0	19,4	9,0	19,4			
	54	266	2,3	26,29	9,0	18,9	9,0	18,9			
	61	234	2,2	23,11	9,0	18,4	9,0	18,4			
	69	208	2,8	20,51	9,0	17,9	9,0	17,9			
	81	177	3,1	17,45	9,0	17,3	9,0	17,3			
	93	155	3,4	15,10	9,0	16,7	9,0	16,7			
	113	126	4,1	12,51	9,0	15,9	9,0	15,9			
	29	495	0,8	48,95	3,4	20,0	7,7	20,0			
	34	422	0,9	41,65	4,8	20,0	8,4	20,0			
	41	353	1,1	34,81	5,7	19,8	9,0	19,8			
	45	319	1,3	31,45	6,0	19,6	9,0	19,6			
	51	281	1,4	27,65	6,3	19,1	9,0	19,1			
	58	248	1,6	24,53	6,5	18,7	9,0	18,7			
	68	212	1,9	20,87	6,7	18,1	9,0	18,1			
	81	177	2,1	17,45	6,9	17,3	9,0	17,3			
	93	155	2,5	15,30	7,0	16,8	9,0	16,8			
	115	124	1,8	12,23	7,1	15,7	9,0	15,7			
	130	110	1,8	10,85	7,1	15,3	9,0	15,3			
	153	93,8	2,1	9,23	7,2	14,7	9,0	14,7			
	175	81,9	2,2	8,09	7,2	14,2	9,0	14,2			

Helical-bevel gear units



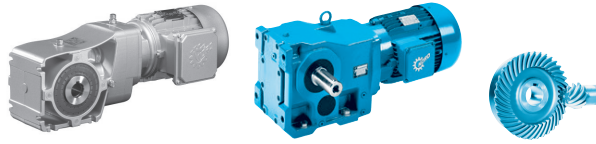
P ₁ [kW]	n ₂ [min ⁻¹]	M ₂ [Nm]	f _B	i _{ges}	F _R [kN]	F _A [kN]	F _{R VL} [kN]	F _{A VL} [kN]	Type	kg	mm 							
1,50	37	383	0,8	37,82	7,4	20,0	7,4	20,0	SK 92672.1 - 90 LP/4	40	E66-67							
	42	341	1,1	33,71	7,6	20,0	7,6	20,0										
	46	310	1,0	30,67	7,8	20,0	7,8	20,0										
	52	277	1,3	27,33	7,9	20,0	7,9	20,0										
	57	252	1,4	24,88	8,0	20,0	8,0	20,0										
	71	202	1,5	20,00	8,2	20,0	8,2	20,0										
	78	184	1,9	18,21	8,2	20,0	8,2	20,0										
	81	177	1,8	17,46	8,2	20,0	8,2	20,0										
	91	158	2,3	15,56	8,3	20,0	8,3	20,0										
	98	146	2,2	14,40	8,3	20,0	8,3	20,0										
	110	130	2,8	12,84	8,3	20,0	8,3	20,0										
	124	115	3,1	11,39	8,4	20,0	8,4	20,0										
	139	103	3,5	10,16	8,4	20,0	8,4	20,0										
	151	95,1	3,7	9,39	8,4	20,0	8,4	20,0										
		56	254	0,9	25,06	5,5	15,0	5,8				15,0	SK 92372.1 - 90 LP/4	29	E64-65			
63		228	0,8	22,49	5,7	15,0	6,0	15,0										
71		203	1,1	20,04	5,9	15,0	6,1	15,0										
77		186	1,0	18,33	6,0	15,0	6,2	15,0										
89		160	1,1	15,84	6,1	15,0	6,3	15,0										
100		143	1,5	14,12	6,1	15,0	6,4	15,0										
113		127	1,4	12,56	6,2	15,0	6,5	15,0										
126		113	1,9	11,20	6,2	15,0	6,5	15,0										
137		105	2,1	10,33	6,3	15,0	6,5	15,0										
138		103	1,8	10,22	6,3	15,0	6,5	15,0										
155		92,2	2,4	9,11	6,3	15,0	6,5	15,0										
173		83,0	2,5	8,19	6,3	15,0	6,6	15,0										
202		70,9	2,8	7,01	6,4	15,0	6,3	15,0										
212		67,5	3,0	6,67	6,4	15,0	6,3	15,0										
243		59,1	3,2	5,83	6,4	14,4	6,0	14,4										
	149	96,1	1,1	9,49	4,7	10,7	4,7	10,7	SK 92172.1 - 90 LP/4	24	E62-63							
	170	84,4	1,4	8,33	4,8	10,4	4,8	10,4										
	181	79,3	1,4	7,83	4,8	10,3	4,8	10,3										
	204	70,3	1,6	6,94	4,8	10,0	4,7	10,0										
	217	66,1	1,4	6,53	4,8	9,8	4,6	9,8										
	245	58,4	1,6	5,77	4,9	9,7	4,4	9,7										
	269	53,2	2,0	5,26	4,9	9,5	4,3	9,5										
	289	49,5	2,2	4,89	4,9	9,3	4,3	9,3										
	329	43,5	2,4	4,30	4,9	9,0	4,1	9,0										
	368	38,9	2,3	3,85	4,9	8,5	4,0	8,5										
	395	36,2	2,4	3,58	4,9	8,2	3,9	8,2										
	2,20	1,1	19410	2,6	1353,86	220,0	100,0	-				-	SK 9096.1/62 - 100 LP/4	1890	E112-113 E115			
		1,0	20430	1,6	1424,80	75,5	70,0	139,8				70,0				SK 9092.1/52 - 100 LP/4	1500	E110-111 E114
		1,3	16050	2,0	1120,00	85,3	70,0	151,3				70,0						
		1,7	12130	2,6	846,40	93,1	70,0	160,0				70,0						
1,0		20980	1,0	1463,40	72,5	65,0	90,8	65,0	SK 9086.1/52 - 100 LP/4	934	E108-109 E114							
1,2		17260	1,2	1202,18	84,2	65,0	101,2	65,0										
1,6		13050	1,5	907,88	93,4	65,0	111,9	65,0										
2,0		10250	2,0	714,15	98,2	65,0	118,4	65,0										
2,3		8943	2,2	623,16	99,9	65,0	120,0	65,0										
1,4		14600	0,9	1017,77	78,9	60,0	95,0	60,0	SK 9082.1/42 - 100 LP/4	659	E106-107 E114							
1,7		12120	1,1	845,38	84,8	60,0	95,0	60,0										
2,1		10110	1,3	704,48	88,7	60,0	95,0	60,0										
2,4		8646	1,5	603,37	90,9	60,0	95,0	60,0										
3,3		6372	2,0	443,41	93,7	60,0	95,0	60,0										
3,9		5449	2,4	379,59	94,5	60,0	95,0	60,0										
5,1	4102	3,2	285,05	95,0	60,0	95,0	60,0											
5,4	3864	2,2	269,39	63,1	50,0	66,0	50,0	SK 9072.1/42 - 100 LP/4	399	E104-105 E114								
1,9	10970	0,8	767,55	38,5	50,0	66,0	50,0	SK 9072.1/32 - 100 LP/4	382	E104-105 E114								
2,5	8548	1,0	598,27	51,0	50,0	66,0	50,0											
3,1	6753	1,3	473,22	57,0	50,0	66,0	50,0											
3,8	5517	1,5	385,88	60,1	50,0	66,0	50,0											
4,7	4447	1,9	311,10	62,2	50,0	66,0	50,0											


2,20 kW



P ₁ [kW]	n ₂ [min ⁻¹]	M ₂ [Nm]	f _B	i _{ges}	F _R [kN]	F _A [kN]	F _{R VL} [kN]	F _{A VL} [kN]	Type	kg	mm 																																																																																																																																																																																																																																																																																																																																																																																																																																																																																																																																																																																															
2,20	6,0	3521	2,4	245,76	63,6	50,0	66,0	50,0	SK 9072.1 - 100 LP/4	348	E104-105																																																																																																																																																																																																																																																																																																																																																																																																																																																																																																																																																																																															
	7,1	2968	2,9	206,84	64,2	50,0	66,0	50,0					4,2	5003	1,0	348,91	14,7	45,0	33,1	45,0	SK 9053.1 - 100 LP/4	226	E102-103		5,5	3795	1,3	265,11	22,9	45,0	37,4	45,0		6,4	3284	1,5	229,07	25,1	45,0	38,0	45,0		8,9	2366	2,0	164,99	27,9	45,0	38,0	45,0		5,1	4153	1,2	289,61	21,0	45,0	36,3	45,0	SK 9052.1 - 100 LP/4	208	E100-101		5,9	3547	1,4	247,06	24,0	45,0	38,0	45,0		7,4	2845	1,7	198,38	26,6	45,0	38,0	45,0		8,6	2430	2,0	169,24	27,8	45,0	38,0	45,0		10	2084	1,7	145,16	28,6	45,0	38,0	45,0		12	1721	2,8	120,03	29,3	45,0	38,0	45,0		14	1470	3,3	102,40	29,7	45,0	38,0	45,0		7,2	2927	1,0	204,38	20,6	40,0	28,0	23,6	SK 9043.1 - 100 LP/4	148	E98-99		8,5	2468	1,1	172,08	23,1	40,0	28,0	23,6		6,2	3368	0,8	235,01	17,5	40,0	28,0	23,4	SK 9042.1 - 100 LP/4	133	E96-97		7,5	2798	1,0	195,12	21,4	40,0	28,0	23,3		9,2	2293	1,2	159,94	23,9	40,0	28,0	23,5		11	1905	1,5	132,79	25,3	40,0	28,0	23,1		12	1689	1,4	117,79	26,0	40,0	28,0	23,1		15	1370	2,0	95,56	26,8	40,0	28,0	22,4		17	1240	2,3	86,43	27,0	40,0	28,0	22,1		19	1091	2,6	76,18	27,3	40,0	28,0	21,7		21	983	2,8	68,61	27,5	40,0	28,0	21,3		23	906	3,1	63,25	27,6	40,0	28,0	20,9		26	798	3,5	55,69	27,7	40,0	28,0	20,5		13	1591	1,0	110,77	6,8	14,5	15,0	12,5	SK 9032.1 - 100 LP/4	86	E92-93		16	1343	1,2	93,50	10,0	14,5	15,0	12,6		17	1207	1,3	84,17	11,2	14,5	15,0	12,7		19	1089	1,4	75,91	11,3	14,5	15,0	12,7		23	919	1,7	64,08	11,1	14,5	15,0	12,5		25	848	1,8	59,17	11,2	14,5	15,0	12,5		29	716	2,2	49,94	10,9	14,5	15,0	12,2		31	684	2,3	47,70	10,9	14,5	15,0	12,2		36	579	2,7	40,36	10,6	14,5	15,0	11,9		38	546	2,8	38,05	10,5	14,5	15,0	11,8		41	511	3,0	35,61	10,4	14,5	15,0	11,6		49	426	3,5	29,66	10,0	14,5	15,0	11,3		19	1131	0,8	78,89	0	12,0	0	11,0	SK 9022.1 - 100 LP/4	66	E88-89		22	953	0,9	66,42	0,1	12,0	7,7	11,4		25	835	1,0	58,25	2,0	12,0	9,2	11,4		28	747	1,2	52,02	4,6	12,0	10,1	11,4		30	703	1,2	49,01	5,4	12,0	10,4	11,2		33	642	1,3	44,71	6,2	12,0	10,9	11,2		37	569	1,5	39,77	7,0	12,0	11,4	11,1		44	477	1,8	33,26	7,8	12,0	11,9	10,8		47	451	1,8	31,38	8,0	12,0	12,0	10,8		50	419	2,1	29,20	8,2	12,0	12,0	10,7		56	375	2,3	26,07	8,5	12,0	12,0	10,5		60	352	2,4	24,56	8,4	12,0	12,0	10,4		65	322	2,4	22,41	8,4	12,0	12,0	10,2		74	286	2,7	19,93	8,2	12,0	12,0	10,0		37	564	1,1	39,32	9,0	25,0	9,0	25,0	SK 92772.1 - 100 LP/4	63	E68-69		42	503	1,3	35,04	9,3	25,0	9,3	25,0		46	457	1,4	31,85	9,5	25,0	9,5	25,0		52	407	1,5	28,38	9,7	25,0	9,7	25,0		58	363	1,7	25,34	9,9	25,0	9,9	25,0		65	324	2,0	22,59	10,0	25,0	10,0	25,0		69	303	2,1	21,14	10,1	25,0	10,1	25,0		76	275	2,3	19,17	10,1	25,0	10,1	25,0		78	270	2,4	18,84	10,1	25,0	10,1	25,0		86	245	2,6	17,08	10,2	25,0	10,2	25,0		95	221	2,9	15,42	10,2	25,0	10,2	25,0		106	198	3,1	13,79
	4,2	5003	1,0	348,91	14,7	45,0	33,1	45,0	SK 9053.1 - 100 LP/4	226	E102-103																																																																																																																																																																																																																																																																																																																																																																																																																																																																																																																																																																																															
	5,5	3795	1,3	265,11	22,9	45,0	37,4	45,0																																																																																																																																																																																																																																																																																																																																																																																																																																																																																																																																																																																																		
	6,4	3284	1,5	229,07	25,1	45,0	38,0	45,0																																																																																																																																																																																																																																																																																																																																																																																																																																																																																																																																																																																																		
	8,9	2366	2,0	164,99	27,9	45,0	38,0	45,0					5,1	4153	1,2	289,61	21,0	45,0	36,3	45,0	SK 9052.1 - 100 LP/4	208	E100-101		5,9	3547	1,4	247,06	24,0	45,0	38,0	45,0		7,4	2845	1,7	198,38	26,6	45,0	38,0	45,0		8,6	2430	2,0	169,24	27,8	45,0	38,0	45,0		10	2084	1,7	145,16	28,6	45,0	38,0	45,0					12	1721	2,8	120,03	29,3	45,0	38,0	45,0		14	1470	3,3	102,40	29,7	45,0	38,0	45,0		7,2	2927	1,0	204,38	20,6	40,0	28,0	23,6	SK 9043.1 - 100 LP/4	148	E98-99		8,5	2468	1,1	172,08	23,1	40,0	28,0	23,6		6,2	3368	0,8	235,01	17,5	40,0	28,0	23,4	SK 9042.1 - 100 LP/4	133	E96-97		7,5	2798	1,0	195,12	21,4	40,0	28,0	23,3		9,2	2293	1,2	159,94	23,9	40,0	28,0	23,5		11	1905	1,5	132,79	25,3	40,0	28,0	23,1		12	1689	1,4	117,79	26,0				40,0	28,0	23,1		15	1370	2,0	95,56	26,8	40,0	28,0	22,4		17	1240	2,3	86,43	27,0	40,0	28,0	22,1		19	1091	2,6	76,18	27,3	40,0	28,0	21,7		21	983	2,8	68,61	27,5	40,0	28,0	21,3		23	906	3,1	63,25	27,6	40,0	28,0	20,9		26	798	3,5	55,69	27,7	40,0	28,0	20,5		13	1591	1,0	110,77	6,8	14,5	15,0	12,5	SK 9032.1 - 100 LP/4	86	E92-93		16	1343	1,2	93,50	10,0	14,5	15,0	12,6		17	1207	1,3	84,17	11,2	14,5	15,0	12,7		19	1089	1,4	75,91	11,3	14,5	15,0	12,7		23	919				1,7	64,08	11,1	14,5	15,0	12,5		25	848	1,8	59,17	11,2	14,5	15,0	12,5		29	716	2,2	49,94	10,9	14,5	15,0	12,2		31	684	2,3	47,70	10,9	14,5	15,0	12,2		36	579	2,7	40,36	10,6	14,5	15,0	11,9		38	546	2,8	38,05	10,5	14,5	15,0	11,8		41	511	3,0	35,61	10,4	14,5	15,0	11,6		49	426	3,5	29,66	10,0	14,5	15,0	11,3		19	1131	0,8	78,89	0	12,0	0	11,0	SK 9022.1 - 100 LP/4	66	E88-89		22	953	0,9	66,42	0,1	12,0	7,7	11,4		25	835	1,0	58,25	2,0	12,0	9,2	11,4		28	747	1,2	52,02	4,6	12,0	10,1	11,4					30	703	1,2	49,01	5,4	12,0	10,4	11,2		33	642	1,3	44,71	6,2	12,0	10,9	11,2		37	569	1,5	39,77	7,0	12,0	11,4	11,1		44	477	1,8	33,26	7,8	12,0	11,9	10,8		47	451	1,8	31,38	8,0	12,0	12,0	10,8		50	419	2,1	29,20	8,2	12,0	12,0	10,7		56	375	2,3	26,07	8,5	12,0	12,0	10,5		60	352	2,4	24,56	8,4	12,0	12,0	10,4		65	322	2,4	22,41	8,4	12,0	12,0	10,2		74	286	2,7	19,93	8,2	12,0	12,0	10,0		37	564	1,1	39,32	9,0	25,0	9,0	25,0	SK 92772.1 - 100 LP/4	63	E68-69		42	503	1,3	35,04	9,3	25,0	9,3	25,0		46	457	1,4	31,85	9,5	25,0	9,5	25,0		52	407	1,5	28,38	9,7				25,0	9,7	25,0		58	363	1,7	25,34	9,9	25,0	9,9	25,0		65	324	2,0	22,59	10,0	25,0	10,0	25,0		69	303	2,1	21,14	10,1	25,0	10,1	25,0		76	275	2,3	19,17	10,1	25,0	10,1	25,0		78	270	2,4	18,84	10,1	25,0	10,1	25,0		86	245	2,6	17,08	10,2	25,0	10,2	25,0		95	221	2,9	15,42	10,2	25,0	10,2	25,0		106	198	3,1	13,79	10,3	25,0	10,3	25,0																				
	5,1	4153	1,2	289,61	21,0	45,0	36,3	45,0	SK 9052.1 - 100 LP/4	208	E100-101																																																																																																																																																																																																																																																																																																																																																																																																																																																																																																																																																																																															
	5,9	3547	1,4	247,06	24,0	45,0	38,0	45,0																																																																																																																																																																																																																																																																																																																																																																																																																																																																																																																																																																																																		
	7,4	2845	1,7	198,38	26,6	45,0	38,0	45,0																																																																																																																																																																																																																																																																																																																																																																																																																																																																																																																																																																																																		
	8,6	2430	2,0	169,24	27,8	45,0	38,0	45,0																																																																																																																																																																																																																																																																																																																																																																																																																																																																																																																																																																																																		
	10	2084	1,7	145,16	28,6	45,0	38,0	45,0																																																																																																																																																																																																																																																																																																																																																																																																																																																																																																																																																																																																		
	12	1721	2,8	120,03	29,3	45,0	38,0	45,0																																																																																																																																																																																																																																																																																																																																																																																																																																																																																																																																																																																																		
	14	1470	3,3	102,40	29,7	45,0	38,0	45,0		7,2	2927	1,0	204,38	20,6	40,0	28,0	23,6	SK 9043.1 - 100 LP/4	148	E98-99		8,5	2468	1,1	172,08	23,1	40,0	28,0	23,6		6,2	3368	0,8	235,01	17,5	40,0	28,0	23,4	SK 9042.1 - 100 LP/4	133	E96-97		7,5	2798	1,0	195,12	21,4	40,0	28,0	23,3		9,2	2293	1,2	159,94	23,9	40,0	28,0	23,5		11	1905	1,5	132,79	25,3	40,0	28,0	23,1		12	1689	1,4	117,79	26,0	40,0	28,0	23,1		15	1370	2,0	95,56	26,8	40,0	28,0	22,4		17	1240	2,3	86,43	27,0	40,0	28,0	22,1		19	1091	2,6	76,18	27,3	40,0	28,0	21,7		21	983	2,8	68,61	27,5				40,0	28,0	21,3		23	906	3,1	63,25	27,6	40,0	28,0	20,9		26	798	3,5	55,69	27,7	40,0	28,0	20,5		13	1591	1,0	110,77	6,8	14,5	15,0	12,5	SK 9032.1 - 100 LP/4	86	E92-93					16	1343	1,2	93,50	10,0	14,5	15,0	12,6		17	1207	1,3	84,17	11,2	14,5	15,0	12,7		19	1089	1,4	75,91	11,3	14,5	15,0	12,7		23	919	1,7	64,08	11,1	14,5	15,0	12,5		25	848	1,8	59,17	11,2	14,5	15,0	12,5		29	716	2,2	49,94	10,9	14,5	15,0	12,2		31	684	2,3	47,70	10,9	14,5	15,0	12,2		36	579				2,7	40,36	10,6	14,5	15,0	11,9		38	546	2,8	38,05	10,5	14,5	15,0	11,8		41	511	3,0	35,61	10,4	14,5	15,0	11,6		49	426	3,5	29,66	10,0				14,5	15,0	11,3		19	1131	0,8	78,89	0	12,0	0	11,0	SK 9022.1 - 100 LP/4	66	E88-89		22	953	0,9	66,42	0,1	12,0	7,7	11,4		25	835	1,0	58,25	2,0	12,0	9,2	11,4		28	747	1,2	52,02	4,6	12,0	10,1	11,4		30	703	1,2	49,01	5,4	12,0	10,4	11,2		33	642	1,3	44,71	6,2	12,0	10,9	11,2		37	569	1,5	39,77	7,0	12,0	11,4	11,1		44	477	1,8	33,26	7,8	12,0	11,9	10,8					47	451	1,8	31,38	8,0	12,0	12,0	10,8		50	419	2,1	29,20	8,2	12,0	12,0	10,7		56	375	2,3	26,07	8,5	12,0	12,0	10,5					60	352	2,4	24,56	8,4	12,0	12,0	10,4		65	322	2,4	22,41	8,4	12,0	12,0	10,2		74	286	2,7	19,93	8,2	12,0	12,0	10,0		37	564	1,1	39,32	9,0	25,0	9,0	25,0	SK 92772.1 - 100 LP/4	63	E68-69		42	503	1,3	35,04	9,3	25,0	9,3	25,0		46	457	1,4	31,85	9,5	25,0	9,5	25,0		52	407	1,5	28,38	9,7	25,0	9,7	25,0		58	363	1,7	25,34	9,9	25,0	9,9	25,0		65	324	2,0	22,59	10,0	25,0	10,0	25,0		69	303	2,1	21,14	10,1	25,0	10,1	25,0		76	275	2,3	19,17	10,1				25,0	10,1	25,0		78	270	2,4	18,84	10,1	25,0	10,1	25,0		86	245	2,6	17,08	10,2	25,0	10,2	25,0		95	221				2,9	15,42	10,2	25,0	10,2	25,0		106	198	3,1	13,79	10,3	25,0	10,3	25,0																																																																																
	7,2	2927	1,0	204,38	20,6	40,0	28,0	23,6	SK 9043.1 - 100 LP/4	148	E98-99																																																																																																																																																																																																																																																																																																																																																																																																																																																																																																																																																																																															
	8,5	2468	1,1	172,08	23,1	40,0	28,0	23,6					6,2	3368	0,8	235,01	17,5	40,0	28,0	23,4	SK 9042.1 - 100 LP/4	133	E96-97		7,5	2798	1,0	195,12	21,4	40,0	28,0	23,3		9,2	2293	1,2	159,94	23,9				40,0	28,0	23,5		11	1905	1,5	132,79	25,3	40,0	28,0	23,1		12	1689	1,4	117,79	26,0	40,0	28,0	23,1		15	1370	2,0	95,56	26,8	40,0	28,0	22,4		17	1240	2,3	86,43	27,0	40,0	28,0	22,1		19	1091	2,6	76,18	27,3	40,0	28,0	21,7		21	983	2,8	68,61	27,5	40,0	28,0	21,3		23	906	3,1	63,25	27,6	40,0	28,0	20,9		26	798				3,5	55,69	27,7	40,0	28,0	20,5		13	1591	1,0	110,77	6,8	14,5	15,0	12,5	SK 9032.1 - 100 LP/4	86	E92-93		16	1343	1,2	93,50	10,0	14,5	15,0	12,6		17	1207				1,3	84,17	11,2	14,5	15,0	12,7		19	1089	1,4	75,91	11,3	14,5	15,0	12,7		23	919	1,7	64,08	11,1	14,5	15,0	12,5		25	848	1,8	59,17	11,2	14,5	15,0	12,5		29	716	2,2	49,94	10,9	14,5	15,0	12,2		31	684	2,3	47,70	10,9	14,5	15,0	12,2		36	579	2,7	40,36	10,6	14,5	15,0	11,9		38	546	2,8	38,05	10,5	14,5	15,0	11,8					41	511	3,0	35,61	10,4	14,5	15,0	11,6		49	426	3,5	29,66	10,0	14,5	15,0	11,3		19	1131	0,8	78,89	0	12,0	0	11,0	SK 9022.1 - 100 LP/4	66	E88-89		22	953	0,9	66,42	0,1	12,0	7,7	11,4		25	835	1,0	58,25	2,0				12,0	9,2	11,4		28	747	1,2	52,02	4,6	12,0	10,1	11,4		30	703	1,2	49,01	5,4	12,0	10,4	11,2		33	642	1,3	44,71	6,2	12,0	10,9	11,2		37	569	1,5	39,77	7,0	12,0	11,4	11,1		44	477	1,8	33,26	7,8	12,0	11,9	10,8		47	451	1,8	31,38	8,0	12,0	12,0	10,8		50	419	2,1	29,20	8,2				12,0	12,0	10,7		56	375	2,3	26,07	8,5	12,0	12,0	10,5		60	352	2,4	24,56	8,4	12,0	12,0	10,4		65	322	2,4	22,41	8,4				12,0	12,0	10,2		74	286	2,7	19,93	8,2	12,0	12,0	10,0		37	564	1,1	39,32	9,0	25,0	9,0	25,0	SK 92772.1 - 100 LP/4	63	E68-69		42	503	1,3	35,04	9,3	25,0	9,3	25,0		46	457				1,4	31,85	9,5	25,0	9,5	25,0		52	407	1,5	28,38	9,7	25,0	9,7	25,0		58	363	1,7	25,34	9,9	25,0	9,9	25,0		65	324	2,0	22,59	10,0	25,0	10,0	25,0		69	303	2,1	21,14	10,1	25,0	10,1	25,0		76	275	2,3	19,17	10,1	25,0	10,1	25,0		78	270	2,4	18,84	10,1	25,0	10,1	25,0					86	245	2,6	17,08	10,2	25,0	10,2	25,0		95	221	2,9	15,42	10,2	25,0	10,2	25,0		106	198	3,1	13,79	10,3	25,0	10,3	25,0																																																																																															
	6,2	3368	0,8	235,01	17,5	40,0	28,0	23,4	SK 9042.1 - 100 LP/4	133	E96-97																																																																																																																																																																																																																																																																																																																																																																																																																																																																																																																																																																																															
	7,5	2798	1,0	195,12	21,4	40,0	28,0	23,3																																																																																																																																																																																																																																																																																																																																																																																																																																																																																																																																																																																																		
	9,2	2293	1,2	159,94	23,9	40,0	28,0	23,5																																																																																																																																																																																																																																																																																																																																																																																																																																																																																																																																																																																																		
	11	1905	1,5	132,79	25,3	40,0	28,0	23,1																																																																																																																																																																																																																																																																																																																																																																																																																																																																																																																																																																																																		
	12	1689	1,4	117,79	26,0	40,0	28,0	23,1																																																																																																																																																																																																																																																																																																																																																																																																																																																																																																																																																																																																		
	15	1370	2,0	95,56	26,8	40,0	28,0	22,4																																																																																																																																																																																																																																																																																																																																																																																																																																																																																																																																																																																																		
	17	1240	2,3	86,43	27,0	40,0	28,0	22,1																																																																																																																																																																																																																																																																																																																																																																																																																																																																																																																																																																																																		
	19	1091	2,6	76,18	27,3	40,0	28,0	21,7																																																																																																																																																																																																																																																																																																																																																																																																																																																																																																																																																																																																		
	21	983	2,8	68,61	27,5	40,0	28,0	21,3																																																																																																																																																																																																																																																																																																																																																																																																																																																																																																																																																																																																		
	23	906	3,1	63,25	27,6	40,0	28,0	20,9																																																																																																																																																																																																																																																																																																																																																																																																																																																																																																																																																																																																		
	26	798	3,5	55,69	27,7	40,0	28,0	20,5																																																																																																																																																																																																																																																																																																																																																																																																																																																																																																																																																																																																		
	13	1591	1,0	110,77	6,8	14,5	15,0	12,5				SK 9032.1 - 100 LP/4	86	E92-93																																																																																																																																																																																																																																																																																																																																																																																																																																																																																																																																																																																												
	16	1343	1,2	93,50	10,0	14,5	15,0	12,6																																																																																																																																																																																																																																																																																																																																																																																																																																																																																																																																																																																																		
	17	1207	1,3	84,17	11,2	14,5	15,0	12,7																																																																																																																																																																																																																																																																																																																																																																																																																																																																																																																																																																																																		
	19	1089	1,4	75,91	11,3	14,5	15,0	12,7																																																																																																																																																																																																																																																																																																																																																																																																																																																																																																																																																																																																		
	23	919	1,7	64,08	11,1	14,5	15,0	12,5																																																																																																																																																																																																																																																																																																																																																																																																																																																																																																																																																																																																		
	25	848	1,8	59,17	11,2	14,5	15,0	12,5																																																																																																																																																																																																																																																																																																																																																																																																																																																																																																																																																																																																		
	29	716	2,2	49,94	10,9	14,5	15,0	12,2																																																																																																																																																																																																																																																																																																																																																																																																																																																																																																																																																																																																		
	31	684	2,3	47,70	10,9	14,5	15,0	12,2																																																																																																																																																																																																																																																																																																																																																																																																																																																																																																																																																																																																		
	36	579	2,7	40,36	10,6	14,5	15,0	11,9																																																																																																																																																																																																																																																																																																																																																																																																																																																																																																																																																																																																		
	38	546	2,8	38,05	10,5	14,5	15,0	11,8																																																																																																																																																																																																																																																																																																																																																																																																																																																																																																																																																																																																		
	41	511	3,0	35,61	10,4	14,5	15,0	11,6																																																																																																																																																																																																																																																																																																																																																																																																																																																																																																																																																																																																		
	49	426	3,5	29,66	10,0	14,5	15,0	11,3																																																																																																																																																																																																																																																																																																																																																																																																																																																																																																																																																																																																		
	19	1131	0,8	78,89	0	12,0	0	11,0	SK 9022.1 - 100 LP/4	66	E88-89																																																																																																																																																																																																																																																																																																																																																																																																																																																																																																																																																																																															
	22	953	0,9	66,42	0,1	12,0	7,7	11,4																																																																																																																																																																																																																																																																																																																																																																																																																																																																																																																																																																																																		
	25	835	1,0	58,25	2,0	12,0	9,2	11,4																																																																																																																																																																																																																																																																																																																																																																																																																																																																																																																																																																																																		
	28	747	1,2	52,02	4,6	12,0	10,1	11,4																																																																																																																																																																																																																																																																																																																																																																																																																																																																																																																																																																																																		
	30	703	1,2	49,01	5,4	12,0	10,4	11,2																																																																																																																																																																																																																																																																																																																																																																																																																																																																																																																																																																																																		
	33	642	1,3	44,71	6,2	12,0	10,9	11,2																																																																																																																																																																																																																																																																																																																																																																																																																																																																																																																																																																																																		
	37	569	1,5	39,77	7,0	12,0	11,4	11,1																																																																																																																																																																																																																																																																																																																																																																																																																																																																																																																																																																																																		
	44	477	1,8	33,26	7,8	12,0	11,9	10,8																																																																																																																																																																																																																																																																																																																																																																																																																																																																																																																																																																																																		
	47	451	1,8	31,38	8,0	12,0	12,0	10,8																																																																																																																																																																																																																																																																																																																																																																																																																																																																																																																																																																																																		
	50	419	2,1	29,20	8,2	12,0	12,0	10,7																																																																																																																																																																																																																																																																																																																																																																																																																																																																																																																																																																																																		
	56	375	2,3	26,07	8,5	12,0	12,0	10,5																																																																																																																																																																																																																																																																																																																																																																																																																																																																																																																																																																																																		
	60	352	2,4	24,56	8,4	12,0	12,0	10,4																																																																																																																																																																																																																																																																																																																																																																																																																																																																																																																																																																																																		
	65	322	2,4	22,41	8,4	12,0	12,0	10,2																																																																																																																																																																																																																																																																																																																																																																																																																																																																																																																																																																																																		
	74	286	2,7	19,93	8,2	12,0	12,0	10,0																																																																																																																																																																																																																																																																																																																																																																																																																																																																																																																																																																																																		
	37	564	1,1	39,32	9,0	25,0	9,0	25,0	SK 92772.1 - 100 LP/4	63	E68-69																																																																																																																																																																																																																																																																																																																																																																																																																																																																																																																																																																																															
	42	503	1,3	35,04	9,3	25,0	9,3	25,0																																																																																																																																																																																																																																																																																																																																																																																																																																																																																																																																																																																																		
	46	457	1,4	31,85	9,5	25,0	9,5	25,0																																																																																																																																																																																																																																																																																																																																																																																																																																																																																																																																																																																																		
	52	407	1,5	28,38	9,7	25,0	9,7	25,0																																																																																																																																																																																																																																																																																																																																																																																																																																																																																																																																																																																																		
	58	363	1,7	25,34	9,9	25,0	9,9	25,0																																																																																																																																																																																																																																																																																																																																																																																																																																																																																																																																																																																																		
	65	324	2,0	22,59	10,0	25,0	10,0	25,0																																																																																																																																																																																																																																																																																																																																																																																																																																																																																																																																																																																																		
	69	303	2,1	21,14	10,1	25,0	10,1	25,0																																																																																																																																																																																																																																																																																																																																																																																																																																																																																																																																																																																																		
	76	275	2,3	19,17	10,1	25,0	10,1	25,0																																																																																																																																																																																																																																																																																																																																																																																																																																																																																																																																																																																																		
	78	270	2,4	18,84	10,1	25,0	10,1	25,0																																																																																																																																																																																																																																																																																																																																																																																																																																																																																																																																																																																																		
	86	245	2,6	17,08	10,2	25,0	10,2	25,0																																																																																																																																																																																																																																																																																																																																																																																																																																																																																																																																																																																																		
	95	221	2,9	15,42	10,2	25,0	10,2	25,0																																																																																																																																																																																																																																																																																																																																																																																																																																																																																																																																																																																																		
	106	198	3,1	13,79	10,3	25,0	10,3	25,0																																																																																																																																																																																																																																																																																																																																																																																																																																																																																																																																																																																																		

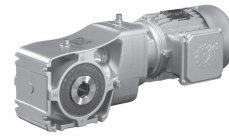
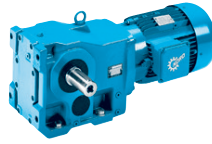
Helical-bevel gear units



P ₁ [kW]	n ₂ [min ⁻¹]	M ₂ [Nm]	f _B	i _{ges}	F _R [kN]	F _A [kN]	F _{R VL} [kN]	F _{A VL} [kN]	Type	kg	mm 				
2,20	28	752	0,8	52,44	5,2	18,5	9,0	18,5	SK 9016.1 - 100 LP/4	59	E84-85				
	32	662	0,9	46,11	6,6	18,4	9,0	18,4							
	36	586	1,0	40,92	7,4	18,3	9,0	18,3							
	42	500	1,2	34,81	8,2	18,1	9,0	18,1							
	48	436	1,4	30,52	8,6	17,9	9,0	17,9							
	56	377	1,6	26,29	9,0	17,5	9,0	17,5							
	63	332	1,6	23,11	9,0	17,2	9,0	17,2							
	71	294	2,0	20,51	9,0	16,8	9,0	16,8							
	84	251	2,2	17,45	9,0	16,4	9,0	16,4							
	96	219	2,4	15,10	9,0	15,9	9,0	15,9							
	117	179	2,9	12,51	9,0	15,2	9,0	15,2							
		42	500	0,8	34,81	3,1	18,1	7,6				18,1	SK 9012.1 - 100 LP/4	58	E80-81
		47	451	0,9	31,45	4,2	18,0	8,1				18,0			
		53	398	1,0	27,65	5,1	17,7	8,6				17,7			
		60	352	1,1	24,53	5,6	17,4	8,9				17,4			
		70	300	1,3	20,87	6,1	17,0	9,0				17,0			
		84	251	1,5	17,45	6,5	16,4	9,0				16,4			
96		219	1,7	15,30	6,7	15,9	9,0	15,9							
119		176	1,3	12,23	6,9	15,0	9,0	15,0							
135		156	1,3	10,85	7,0	14,6	9,0	14,6							
158		133	1,5	9,23	7,1	14,1	9,0	14,1							
181		116	1,6	8,09	7,1	13,7	9,0	13,7							
		59	357	1,0	24,88	7,5	20,0	7,5	20,0	SK 92672.1 - 100 LP/4	51	E66-67			
		80	261	1,3	18,21	8,0	20,0	8,0	20,0						
	84	250	1,3	17,46	8,0	20,0	8,0	20,0							
	94	223	1,6	15,56	8,1	20,0	8,1	20,0							
	102	207	1,5	14,40	8,2	20,0	8,2	20,0							
	114	184	2,0	12,84	8,2	20,0	8,2	20,0							
	129	163	2,2	11,39	8,3	20,0	8,3	20,0							
	144	146	2,5	10,16	8,3	20,0	8,3	20,0							
	156	135	2,6	9,39	8,3	20,0	8,3	20,0							
	176	120	2,9	8,33	8,4	19,9	8,4	19,9							
	197	107	3,3	7,44	8,4	19,3	8,4	19,3							
		117	180	1,0	12,56	6,0	15,0	6,2	15,0				SK 92372.1 - 100 LP/4	40	E64-65
		131	161	1,4	11,20	6,1	15,0	6,3	15,0						
143		147	1,3	10,22	6,1	15,0	6,4	15,0							
161		131	1,7	9,11	6,2	15,0	6,4	15,0							
179		118	1,8	8,19	6,2	14,8	6,3	14,8							
209		101	2,0	7,01	6,3	14,5	6,0	14,5							
220		95,6	2,1	6,67	6,3	14,2	6,0	14,2							
251		83,7	2,3	5,83	6,3	13,6	5,8	13,6							
286		73,5	2,5	5,13	6,3	12,8	5,6	12,8							
340		61,7	3,0	4,31	6,4	11,9	5,3	11,9							
394		53,3	3,4	3,72	6,4	11,2	5,1	11,2							
3,00		1,1	26570	1,9	1353,86	220,0	100,0	-	-	SK 9096.1/62 - 100 AP/4	1890	E112-113 E115			
		1,3	22860	2,2	1165,22	220,0	100,0	-	-						
	1,5	19220	2,6	979,31	220,0	100,0	-	-							
	1,8	16020	3,1	816,57	220,0	100,0	-	-							
	1,0	27950	1,1	1424,80	55,8	70,0	118,3	70,0	SK 9092.1/52 - 100 AP/4	1500	E110-111 E114				
	1,3	21960	1,5	1120,00	71,8	70,0	135,7	70,0							
	1,7	16600	1,9	846,40	84,1	70,0	149,9	70,0							
	2,1	13860	2,3	706,40	89,8	70,0	156,7	70,0							
	2,4	11960	2,7	608,12	93,5	70,0	160,0	70,0							
	3,3	8676	3,7	441,46	99,4	70,0	160,0	70,0							
	1,2	23620	0,8	1202,18	61,0	65,0	82,9	65,0	SK 9086.1/52 - 100 AP/4	934	E108-109 E114				
	1,6	17850	1,1	907,88	82,8	65,0	99,6	65,0							
	2,0	14030	1,4	714,15	91,4	65,0	109,5	65,0							
	2,3	12240	1,6	623,16	95,1	65,0	113,8	65,0							
	3,4	8535	2,3	433,35	100,3	65,0	120,0	65,0							
	3,8	7446	2,7	378,14	101,5	65,0	120,0	65,0							

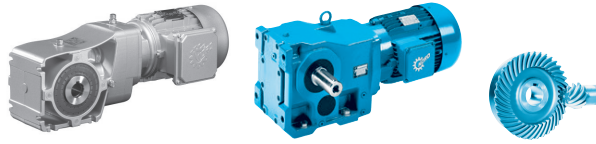
Helical-bevel gear units


3,00 kW



P ₁ [kW]	n ₂ [min ⁻¹]	M ₂ [Nm]	f _B	i _{ges}	F _R [kN]	F _A [kN]	F _{R VL} [kN]	F _{A VL} [kN]	Type	kg	mm 			
3,00	1,7	16590	0,8	845,38	72,2	60,0	95,0	60,0	SK 9082.1/42 - 100 AP/4	659	E106-107 E114			
	2,1	13830	0,9	704,48	80,5	60,0	95,0	60,0						
	2,4	11830	1,1	603,37	85,2	60,0	95,0	60,0						
	3,3	8719	1,5	443,41	90,7	60,0	95,0	60,0						
	3,8	7456	1,7	379,59	92,4	60,0	95,0	60,0						
	5,1	5612	2,3	285,05	94,3	60,0	95,0	60,0						
	5,4	5287	1,6	269,39	60,5	50,0	66,0	50,0	SK 9072.1/42 - 100 AP/4	399	E104-105 E114			
	3,1	9240	0,9	473,22	47,5	50,0	66,0	50,0	SK 9072.1/32 - 100 AP/4	382	E104-105 E114			
	3,8	7549	1,1	385,88	54,3	50,0	66,0	50,0						
	4,7	6085	1,4	311,10	58,6	50,0	66,0	50,0						
	5,9	4818	1,8	245,76	61,4	50,0	66,0	50,0	SK 9072.1 - 100 AP/4	348	E104-105			
	7,1	4061	2,1	206,84	62,8	50,0	66,0	50,0						
	11	2681	2,5	136,88	64,5	50,0	66,0	48,9						
	5,5	5193	0,9	265,11	11,8	45,0	31,9	45,0	SK 9053.1 - 100 AP/4	226	E102-103			
	6,4	4493	1,1	229,07	18,5	45,0	34,9	45,0						
	8,8	3238	1,5	164,99	25,1	45,0	38,0	45,0						
	5,0	5683	0,8	289,61	4,3	45,0	29,4	45,0	SK 9052.1 - 100 AP/4	208	E100-101			
	5,9	4854	1,0	247,06	15,7	45,0	33,5	45,0						
	7,4	3892	1,2	198,38	22,2	45,0	37,0	45,0						
	8,6	3324	1,4	169,24	24,8	45,0	38,0	45,0						
	10	2851	1,3	145,16	26,5	45,0	38,0	45,0						
	12	2355	2,0	120,03	27,9	45,0	38,0	45,0						
	14	2011	2,4	102,40	28,7	45,0	38,0	45,0						
	17	1729	2,8	88,17	29,2	45,0	38,0	45,0						
	20	1416	3,4	72,24	29,7	45,0	38,0	45,0						
	8,5	3376	0,8	172,08	7,5	40,0	20,2	21,6				SK 9043.1 - 100 AP/4	148	E98-99
	9,1	3138	0,9	159,94	19,0	40,0	28,0	20,3				SK 9042.1 - 100 AP/4	133	E96-97
	11	2607	1,1	132,79	22,3	40,0	28,0	20,3						
	12	2312	1,0	117,79	23,7	40,0	28,0	20,7						
	15	1875	1,5	95,56	25,3	40,0	28,0	20,5						
	17	1697	1,6	86,43	25,9	40,0	28,0	20,5						
	19	1493	1,9	76,18	26,4	40,0	28,0	20,2						
	21	1344	2,1	68,61	26,8	40,0	28,0	20,0						
	23	1240	2,3	63,25	27,0	40,0	28,0	19,6						
	26	1092	2,6	55,69	27,3	40,0	28,0	19,4						
	31	934	3,0	47,67	27,5	40,0	28,0	19,0						
36	796	3,5	40,54	27,7	40,0	28,0	18,5							
16	1838	0,8	93,50	0,3	14,5	13,7	10,3	SK 9032.1 - 100 AP/4	86	E92-93				
17	1651	0,9	84,17	5,2	14,5	15,0	10,7							
19	1490	1,0	75,91	8,1	14,5	15,0	10,9							
23	1258	1,2	64,08	9,4	14,5	15,0	11,0							
25	1161	1,3	59,17	9,6	14,5	15,0	11,1							
29	980	1,6	49,94	9,6	14,5	15,0	11,0							
31	935	1,7	47,70	9,6	14,5	15,0	11,1							
36	792	2,0	40,36	9,6	14,5	15,0	11,0							
38	747	2,1	38,05	9,6	14,5	15,0	10,9							
41	700	2,2	35,61	9,4	14,5	15,0	10,8							
49	582	2,6	29,66	9,3	14,5	15,0	10,6							
58	492	3,1	25,03	9,0	14,5	15,0	10,4							
61	469	3,3	23,91	9,0	14,5	15,0	10,3							
72	397	3,8	20,23	8,8	14,1	15,0	10,0							
85	336	4,3	17,08	8,4	13,5	15,0	9,7							
91	315	4,4	16,04	8,4	13,3	15,0	9,6							
25	1143	0,8	58,25	0	12,0	0	9,4	SK 9022.1 - 100 AP/4	66	E88-89				
28	1022	0,8	52,02	0,1	12,0	6,3	9,8							
30	961	0,9	49,01	0,9	12,0	7,4	9,7							
33	879	1,0	44,71	2,0	12,0	8,6	9,9							
37	779	1,1	39,77	3,7	12,0	9,7	10,0							
44	653	1,3	33,26	6,0	12,0	10,8	9,8							
46	617	1,3	31,38	6,5	12,0	11,1	9,9							

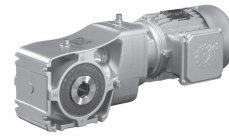
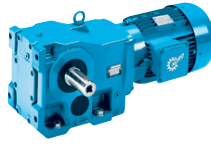
Helical-bevel gear units



P ₁ [kW]	n ₂ [min ⁻¹]	M ₂ [Nm]	f _B	i _{ges}	F _R [kN]	F _A [kN]	F _{R VL} [kN]	F _{A VL} [kN]	Type	kg	mm 			
3,00	50	573	1,5	29,20	6,9	12,0	11,3	9,9	SK 9022.1 - 100 AP/4	66	E88-89			
	56	513	1,7	26,07	7,5	12,0	11,7	9,8						
	59	482	1,8	24,56	7,7	12,0	11,9	9,6						
	65	441	1,8	22,41	7,7	12,0	12,0	9,6						
	73	391	1,9	19,93	7,6	12,0	12,0	9,5						
	83	344	2,1	17,52	7,3	12,0	12,0	9,1						
	90	320	1,9	16,30	7,2	12,0	12,0	9,0						
	100	286	2,0	14,56	7,1	11,7	12,0	8,8						
	116	246	2,2	12,51	6,9	11,3	12,0	8,6						
	37	771	0,8	39,32	7,5	25,0	7,5	25,0				SK 92772.1 - 100 AP/4	63	E68-69
	42	688	1,0	35,04	8,2	25,0	8,2	25,0						
	46	625	1,0	31,85	8,6	25,0	8,6	25,0						
	51	557	1,1	28,38	9,0	25,0	9,0	25,0						
	58	497	1,3	25,34	9,3	25,0	9,3	25,0						
65	443	1,5	22,59	9,6	25,0	9,6	25,0							
69	415	1,5	21,14	9,7	25,0	9,7	25,0							
76	376	1,7	19,17	9,8	25,0	9,8	25,0							
77	370	1,7	18,84	9,9	25,0	9,9	25,0							
85	335	1,9	17,08	10,0	25,0	10,0	25,0							
95	303	2,1	15,42	10,1	25,0	10,1	25,0							
106	271	2,2	13,79	10,1	25,0	10,1	25,0							
117	245	2,4	12,50	10,2	25,0	10,2	25,0							
129	221	2,6	11,28	10,2	25,0	10,2	25,0							
149	193	3,0	9,81	10,3	25,0	10,3	25,0							
165	174	3,2	8,85	10,3	25,0	10,3	25,0							
42	684	0,9	34,81	6,2	16,2	9,0	16,2	SK 9016.1 - 100 AP/4	59	E84-85				
48	597	1,0	30,52	7,2	16,2	9,0	16,2							
56	516	1,2	26,29	8,0	16,0	9,0	16,0							
63	454	1,1	23,11	8,5	15,9	9,0	15,9							
71	402	1,4	20,51	8,8	15,7	9,0	15,7							
83	343	1,6	17,45	9,0	15,4	9,0	15,4							
96	300	1,7	15,10	9,0	15,1	9,0	15,1							
117	245	2,1	12,51	9,0	14,5	9,0	14,5							
59	482	0,8	24,53	3,5	16,1	7,8	16,1	SK 9012.1 - 100 AP/4	58	E80-81				
70	411	1,0	20,87	4,8	15,9	8,5	15,9							
83	343	1,1	17,45	5,7	15,4	9,0	15,4							
96	300	1,3	15,30	6,1	15,1	9,0	15,1							
119	241	0,9	12,23	6,5	14,2	9,0	14,2							
134	213	0,9	10,85	6,7	14,0	9,0	14,0							
158	182	1,1	9,23	6,9	13,6	9,0	13,6							
181	159	1,1	8,09	7,0	13,2	9,0	13,2							
80	357	1,0	18,21	7,5	20,0	7,5	20,0	SK 92672.1 - 100 AP/4	51	E66-67				
84	343	0,9	17,46	7,6	20,0	7,6	20,0							
94	305	1,2	15,56	7,8	20,0	7,8	20,0							
101	283	1,1	14,40	7,9	20,0	7,9	20,0							
114	252	1,4	12,84	8,0	20,0	8,0	20,0							
128	223	1,6	11,39	8,1	20,0	8,1	20,0							
144	199	1,8	10,16	8,2	20,0	8,2	20,0							
155	184	1,9	9,39	8,2	19,6	8,2	19,6							
175	164	2,1	8,33	8,3	19,1	8,3	19,1							
196	146	2,4	7,44	8,3	18,6	8,3	18,6							
218	131	2,4	6,68	8,3	18,2	8,2	18,2							
259	111	2,8	5,64	8,4	16,6	7,9	16,6							
335	85,5	3,7	4,36	8,4	14,9	7,4	14,9							
130	220	1,0	11,20	5,8	14,9	6,0	14,9				SK 92372.1 - 100 AP/4	40	E64-65	
143	201	0,9	10,22	5,9	14,8	6,1	14,8							
160	179	1,2	9,11	6,0	14,4	6,1	14,4							
178	161	1,3	8,19	6,1	13,9	6,1	13,9							
208	138	1,5	7,01	6,2	13,8	5,8	13,8							
219	131	1,6	6,67	6,2	13,4	5,8	13,4							
250	114	1,7	5,83	6,2	12,8	5,6	12,8							
285	101	1,8	5,13	6,3	12,2	5,4	12,2							
339	84,5	2,2	4,31	6,3	11,4	5,2	11,4							
393	73,0	2,5	3,72	6,3	10,8	5,0	10,8							

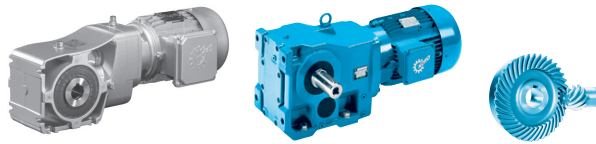
Helical-bevel gear units


4,00 kW



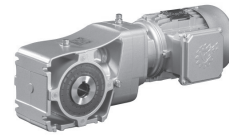
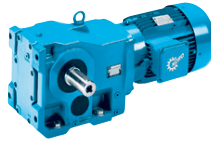
P ₁ [kW]	n ₂ [min ⁻¹]	M ₂ [Nm]	f _B	i _{ges}	F _R [kN]	F _A [kN]	F _{R VL} [kN]	F _{A VL} [kN]	Type	kg	mm 			
4,00	1,1	35910	1,4	1353,86	220,0	100,0	-	-	SK 9096.1/62 - 112 MP/4	1900	E112-113 E115			
	1,2	30910	1,6	1165,22	220,0	100,0	-	-						
	1,5	25980	1,9	979,31	220,0	100,0	-	-						
	1,8	21660	2,3	816,57	220,0	100,0	-	-						
	2,0	18640	2,7	702,80	220,0	100,0	-	-						
	1,0	37790	0,8	1424,80	22,2	70,0	85,9	70,0				SK 9092.1/52 - 112 MP/4	1510	E110-111 E114
	1,3	29690	1,1	1120,00	50,6	70,0	112,9	70,0						
	1,7	22440	1,4	846,40	70,6	70,0	134,3	70,0						
	2,0	18740	1,7	706,40	79,4	70,0	144,3	70,0						
	2,4	16170	2,0	608,12	85,0	70,0	150,9	70,0						
3,3	11730	2,7	441,46	93,9	70,0	160,0	70,0							
3,7	10250	3,1	385,67	96,6	70,0	160,0	70,0							
1,6	24130	0,8	907,88	58,3	65,0	81,3	65,0	SK 9086.1/52 - 112 MP/4	942	E108-109 E114				
2,0	18960	1,1	714,15	79,5	65,0	96,6	65,0							
2,3	16540	1,2	623,16	85,9	65,0	103,1	65,0							
3,3	11540	1,7	433,35	96,3	65,0	115,5	65,0							
3,8	10070	2,0	378,14	98,5	65,0	118,9	65,0							
5,3	7211	2,8	270,47	101,7	65,0	120,0	65,0							
5,8	6537	2,0	245,62	93,6	60,0	95,0	60,0	SK 9082.1/52 - 112 MP/4	692	E106-107 E114				
7,9	4836	2,7	182,09	95,0	60,0	95,0	60,0							
9,8	3882	3,3	146,19	95,0	60,0	95,0	60,0							
2,4	15990	0,8	603,37	75,4	60,0	95,0	60,0	SK 9082.1/42 - 112 MP/4	666	E106-107 E114				
3,2	11790	1,1	443,41	85,9	60,0	95,0	60,0							
3,8	10080	1,3	379,59	89,0	60,0	95,0	60,0							
5,0	7587	1,7	285,05	92,5	60,0	95,0	60,0							
12	3092	4,2	116,45	95,0	60,0	95,0	60,0	SK 9082.1 - 112 MP/4	616	E106-107				
5,3	7147	1,2	269,39	56,2	50,0	66,0	49,8	SK 9072.1/42 - 112 MP/4	406	E104-105 E114				
7,3	5207	1,4	196,12	60,9	50,0	66,0	47,8							
9,2	4166	1,5	156,70	62,8	50,0	66,0	45,9							
11	3563	1,7	134,14	63,6	50,0	66,0	44,6							
3,7	10210	0,8	385,88	44,0	50,0	66,0	50,0	SK 9072.1/32 - 112 MP/4	390	E104-105 E114				
4,6	8225	1,0	311,10	52,7	50,0	66,0	50,0							
5,9	6513	1,3	245,76	58,0	50,0	66,0	50,0	SK 9072.1 - 112 MP/4	356	E104-105				
7,0	5490	1,5	206,84	60,4	50,0	66,0	50,0							
11	3625	1,8	136,88	63,5	50,0	66,0	46,8							
13	2920	2,9	110,18	64,3	50,0	66,0	45,5							
16	2426	3,5	91,47	64,8	50,0	66,0	43,7							
6,3	6074	0,8	229,07	3,0	45,0	27,9	45,0	SK 9053.1 - 112 MP/4	234	E102-103				
8,7	4377	1,1	164,99	20,0	45,0	35,8	45,0							
7,3	5262	0,9	198,38	12,6	45,0	32,2	45,0	SK 9052.1 - 112 MP/4	216	E100-101				
8,5	4494	1,1	169,24	19,3	45,0	35,4	45,0							
9,9	3854	0,9	145,16	22,9	45,0	37,4	45,0							
12	3183	1,5	120,03	25,6	45,0	38,0	45,0							
14	2719	1,8	102,40	27,1	45,0	38,0	45,0							
16	2337	2,1	88,17	28,1	45,0	38,0	45,0							
20	1915	2,5	72,24	29,0	45,0	38,0	45,0							
23	1657	2,9	62,42	29,4	45,0	38,0	45,0							
26	1447	3,3	54,56	29,7	45,0	38,0	45,0							
11	3524	0,8	132,79	16,5	40,0	28,0	16,9				SK 9042.1 - 112 MP/4	140	E96-97	
12	3125	0,8	117,79	19,6	40,0	28,0	17,7							
15	2535	1,1	95,56	22,9	40,0	28,0	18,1							
17	2295	1,2	86,43	24,0	40,0	28,0	18,3							
19	2018	1,4	76,18	25,0	40,0	28,0	18,3							
21	1818	1,5	68,61	25,6	40,0	28,0	18,3							
23	1677	1,7	63,25	26,0	40,0	28,0	18,0							
26	1477	1,9	55,69	26,5	40,0	28,0	18,0							

Helical-bevel gear units



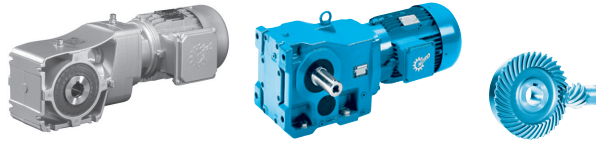
P ₁ [kW]	n ₂ [min ⁻¹]	M ₂ [Nm]	f _B	i _{ges}	F _R [kN]	F _A [kN]	F _{R VL} [kN]	F _{A VL} [kN]	Type	kg	mm 
4,00	30	1263	2,2	47,67	27,0	40,0	28,0	17,7	SK 9042.1 - 112 MP/4	140	E96-97
	36	1076	2,6	40,54	27,4	40,0	28,0	17,4			
	42	912	3,1	34,39	27,6	40,0	28,0	17,0			
	45	841	3,3	31,70	27,7	40,0	28,0	16,7			
	52	741	3,8	27,91	27,8	40,0	28,0	16,4			
19	2014	0,8	75,91	0,5	11,7	12,3	8,6	SK 9032.1 - 112 MP/4	94	E92-93	
22	1700	0,9	64,08	5,1	12,4	15,0	9,1				
24	1569	1,0	59,17	7,5	13,0	15,0	9,4				
29	1325	1,2	49,94	7,9	13,4	15,0	9,6				
30	1265	1,2	47,70	8,1	13,6	15,0	9,7				
36	1071	1,4	40,36	8,3	13,8	15,0	9,8				
38	1010	1,5	38,05	8,3	13,8	15,0	9,8				
40	946	1,6	35,61	8,3	13,6	15,0	9,8				
49	787	1,9	29,66	8,4	13,6	15,0	9,8				
57	665	2,3	25,03	8,2	13,2	15,0	9,6				
60	634	2,4	23,91	8,2	13,2	15,0	9,6				
71	537	2,8	20,23	8,1	12,9	15,0	9,4				
84	454	3,2	17,08	7,9	12,4	15,0	9,2				
90	425	3,3	16,04	7,8	12,2	15,0	9,1				
106	359	3,8	13,49	7,6	11,7	15,0	8,9				
114	336	3,0	12,68	7,3	11,2	15,0	8,6				
134	285	3,2	10,73	7,1	10,7	15,0	8,3				
36	1053	0,8	39,77	0,1	10,9	6,1	8,5	SK 9022.1 - 112 MP/4	74	E88-89	
43	883	1,0	33,26	0,3	11,1	8,8	8,6				
46	834	1,0	31,38	2,7	11,4	9,3	8,8				
49	775	1,1	29,20	4,2	11,5	9,9	8,8				
55	693	1,2	26,07	5,7	11,5	10,6	8,8				
59	652	1,3	24,56	6,2	11,3	10,9	8,7				
64	596	1,3	22,41	6,9	11,5	11,3	8,8				
72	528	1,4	19,93	6,8	11,4	11,7	8,7				
82	465	1,5	17,52	6,5	10,7	12,0	8,4				
88	432	1,4	16,30	6,5	10,6	12,0	8,4				
99	387	1,5	14,56	6,4	10,5	12,0	8,2				
115	332	1,6	12,51	6,4	10,2	12,0	8,1				
130	295	1,8	11,13	6,3	10,0	12,0	8,0				
164	233	2,1	8,78	6,0	9,5	12,0	7,7				
57	672	0,9	25,34	8,3	25,0	8,3	25,0	SK 92772.1 - 112 MP/4	70	E68-69	
64	599	1,1	22,59	8,8	25,0	8,8	25,0				
68	561	1,1	21,14	9,0	25,0	9,0	25,0				
75	508	1,2	19,17	9,3	25,0	9,3	25,0				
76	500	1,3	18,84	9,3	25,0	9,3	25,0				
84	453	1,4	17,08	9,5	25,0	9,5	25,0				
93	409	1,5	15,42	9,7	25,0	9,7	25,0				
104	366	1,7	13,79	9,9	25,0	9,9	25,0				
115	332	1,8	12,50	10,0	25,0	10,0	25,0				
128	299	1,9	11,28	10,1	25,0	10,1	25,0				
147	260	2,2	9,81	10,2	25,0	10,2	25,0				
163	235	2,4	8,85	10,2	24,9	10,2	24,9				
201	190	2,9	7,18	10,3	23,4	10,3	23,4				
55	698	0,9	26,29	6,2	14,2	9,0	14,2	SK 9016.1 - 112 MP/4	66	E84-85	
62	614	0,8	23,11	7,2	14,3	9,0	14,3				
70	544	1,1	20,51	7,9	14,3	9,0	14,3				
82	464	1,2	17,45	8,5	14,2	9,0	14,2				
94	405	1,3	15,10	8,9	14,0	9,0	14,0				
115	331	1,6	12,51	9,0	13,6	9,0	13,6				
82	464	0,8	17,45	4,1	14,2	8,1	14,2	SK 9012.1 - 112 MP/4	66	E80-81	
94	405	0,9	15,30	5,0	14,0	8,6	14,0				
155	246	0,8	9,23	6,5	12,8	9,0	12,8				
178	215	0,8	8,09	6,7	12,6	9,0	12,6				
93	413	0,9	15,56	7,2	20,0	7,2	20,0	SK 92672.1 - 112 MP/4	59	E66-67	
100	382	0,8	14,40	7,4	20,0	7,4	20,0				
112	341	1,1	12,84	7,6	19,9	7,6	19,9				
126	302	1,2	11,39	7,8	19,1	7,8	19,1				
142	270	1,3	10,16	7,9	19,1	7,9	19,1				
153	249	1,4	9,39	8,0	18,5	8,0	18,5				
173	221	1,6	8,33	8,1	18,2	8,1	18,2				
194	197	1,8	7,44	8,2	17,8	8,2	17,8				
215	177	1,8	6,68	8,2	17,4	8,0	17,4				
255	150	2,1	5,64	8,3	15,9	7,7	15,9				
330	116	2,7	4,36	8,4	14,4	7,2	14,4				


5,50 kW



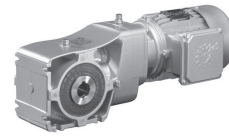
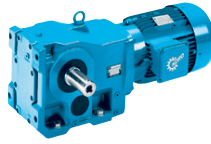
P ₁ [kW]	n ₂ [min ⁻¹]	M ₂ [Nm]	f _B	i _{ges}	F _R [kN]	F _A [kN]	F _{R VL} [kN]	F _{A VL} [kN]	Type	kg	mm 			
5,50	1,1	48540	1,0	1353,86	220,0	100,0	-	-	SK 9096.1/62 - 132 SP/4	1920	E112-113 E115			
	1,3	41770	1,2	1165,22	220,0	100,0	-	-						
	1,5	35110	1,4	979,31	220,0	100,0	-	-						
	1,8	29270	1,7	816,57	220,0	100,0	-	-						
	2,1	25200	2,0	702,80	220,0	100,0	-	-						
	2,4	21780	2,3	607,63	220,0	100,0	-	-						
	2,7	19300	2,6	538,33	220,0	100,0	-	-						
	3,1	17000	2,9	474,22	220,0	100,0	-	-						
	1,3	40130	0,8	1120,00	12,2	70,0	77,3	70,0	SK 9092.1/52 - 132 SP/4	1530	E110-111 E114			
	1,7	30330	1,1	846,40	48,7	70,0	110,9	70,0						
	2,1	25330	1,3	706,40	63,2	70,0	126,1	70,0						
	2,4	21860	1,5	608,12	72,1	70,0	135,9	70,0						
	3,3	15850	2,0	441,46	85,7	70,0	151,8	70,0						
	3,8	13850	2,3	385,67	89,8	70,0	156,7	70,0						
	5,2	10090	3,2	280,76	96,9	70,0	160,0	70,0						
	2,0	25630	0,8	714,15	49,2	65,0	76,5	65,0	SK 9086.1/52 - 132 SP/4	961	E108-109 E114			
	2,3	22360	0,9	623,16	66,9	65,0	86,8	65,0						
	3,4	15590	1,3	433,35	88,0	65,0	105,6	65,0						
	3,9	13600	1,5	378,14	92,3	65,0	110,5	65,0						
	5,4	9746	2,1	270,47	98,9	65,0	119,6	65,0						
	6,2	8473	2,4	235,93	100,4	65,0	120,0	65,0						
	6,4	8270	2,4	230,64	100,6	65,0	120,0	65,0	SK 9086.1 - 132 SP/4	885	E108-109			
	7,5	6957	2,9	194,04	101,9	65,0	120,0	65,0						
	5,9	8835	1,5	245,62	90,8	60,0	95,0	60,0	SK 9082.1/52 - 132 SP/4	711	E106-107 E114			
	8,0	6536	2,0	182,09	93,6	60,0	95,0	60,0						
	3,3	15930	0,8	443,41	75,6	60,0	95,0	60,0	SK 9082.1/42 - 132 SP/4	686	E106-107 E114			
	3,9	13620	1,0	379,59	81,8	60,0	95,0	60,0						
	5,1	10250	1,3	285,05	88,7	60,0	95,0	60,0						
	4,9	10640	1,2	296,80	87,9	60,0	95,0	60,0	SK 9082.1 - 132 SP/4	635	E106-107			
	6,0	8757	1,5	244,32	90,9	60,0	95,0	60,0						
	9,8	5336	2,4	148,76	94,7	60,0	95,0	60,0						
	12	4393	3,0	122,46	95,0	60,0	95,0	60,0						
	4,7	11120	0,8	311,10	38,2	50,0	66,0	48,3	SK 9072.1/32 - 132 SP/4	409	E104-105 E114			
	6,0	8803	1,0	245,76	50,4	50,0	66,0	48,0						
	7,1	7420	1,1	206,84	55,4	50,0	66,0	46,9	SK 9072.1 - 132 SP/4	375	E104-105			
	7,8	6696	1,3	186,86	57,4	50,0	66,0	46,8						
	9,3	5644	1,5	157,27	60,0	50,0	66,0	45,6						
	11	4899	1,4	136,88	61,5	50,0	66,0	43,9						
	13	3947	2,2	110,18	63,0	50,0	66,0	43,4						
	16	3279	2,6	91,47	63,9	50,0	66,0	41,9						
	18	2854	3,0	79,69	64,4	50,0	66,0	40,7						
	21	2512	3,4	70,22	64,7	50,0	66,0	39,6						
	8,6	6074	0,8	169,24	3,0	45,0	27,8	45,0				SK 9052.1 - 132 SP/4	235	E100-101
	12	4303	1,1	120,03	20,4	45,0	36,0	45,0						
	14	3675	1,3	102,40	23,7	45,0	37,9	45,0						
	17	3159	1,5	88,17	25,7	45,0	38,0	45,0						
	20	2588	1,9	72,24	27,4	45,0	38,0	45,0						
	23	2239	2,1	62,42	28,3	45,0	38,0	45,0						
	27	1956	2,5	54,56	28,9	45,0	38,0	45,0						
	33	1613	3,0	44,96	29,5	45,0	38,0	44,1						
	37	1425	3,4	39,72	29,8	45,0	38,0	42,8						
	40	1298	3,7	36,21	29,9	45,0	38,0	41,8						
	47	1123	4,3	31,28	30,1	45,0	38,0	40,3						
	15	3426	0,8	95,56	17,3	40,0	28,0	14,6	SK 9042.1 - 132 SP/4	160	E96-97			
	17	3101	0,9	86,43	19,7	40,0	28,0	15,1						
	19	2728	1,0	76,18	21,9	40,0	28,0	15,4						
	21	2456	1,1	68,61	23,2	40,0	28,0	15,7						
	23	2266	1,2	63,25	24,1	40,0	28,0	15,5						
	26	1996	1,4	55,69	25,1	40,0	28,0	15,9						

Helical-bevel gear units



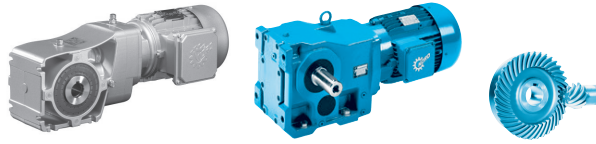
P ₁ [kW]	n ₂ [min ⁻¹]	M ₂ [Nm]	f _B	i _{ges}	F _R [kN]	F _A [kN]	F _{R VL} [kN]	F _{A VL} [kN]	Type	kg	mm 
5,50	31	1707	1,6	47,67	26,0	40,0	28,0	15,9	SK 9042.1 - 132 SP/4	160	E96-97
	36	1454	1,9	40,54	26,6	40,0	28,0	15,9			
	43	1232	2,3	34,39	27,1	40,0	28,0	15,6			
	46	1137	2,5	31,70	27,2	40,0	28,0	15,4			
	47	1129	1,9	31,48	27,3	40,0	28,0	15,5			
	52	1001	2,8	27,91	27,5	39,3	28,0	15,3			
	61	856	3,2	23,89	27,7	38,1	28,0	15,0			
	72	730	3,6	20,32	27,1	36,9	28,0	14,6			
	80	654	3,7	18,20	26,4	36,0	28,0	14,3			
	93	563	3,6	15,66	25,2	34,5	28,0	13,7			
	109	481	4,2	13,40	24,3	33,4	28,0	13,3			
	128	410	3,7	11,40	23,3	32,0	28,0	12,9			
	143	368	4,1	10,21	22,7	31,2	28,0	12,6			
	156	338	4,4	9,39	22,2	30,6	28,0	12,3			
	165	318	4,4	8,83	21,9	30,2	28,0	12,2			
		29	1790	0,9	49,94	1,2	8,7	14,5			
31		1709	0,9	47,70	4,7	9,3	15,0	7,7			
36		1447	1,1	40,36	6,3	10,1	15,0	8,1			
38		1366	1,1	38,05	6,4	10,4	15,0	8,1			
41		1278	1,2	35,61	6,5	10,4	15,0	8,2			
49		1064	1,4	29,66	6,9	10,9	15,0	8,5			
58		898	1,7	25,03	7,0	10,9	15,0	8,5			
61		857	1,8	23,91	7,1	11,1	15,0	8,6			
72		726	2,1	20,23	7,1	11,0	15,0	8,6			
86		613	2,4	17,08	7,1	10,8	15,0	8,4			
91		575	2,4	16,04	7,1	10,8	15,0	8,4			
108		486	2,8	13,49	6,9	10,5	15,0	8,2			
116		455	2,2	12,68	6,6	10,0	15,0	7,9			
136		385	2,3	10,73	6,5	9,7	15,0	7,8			
172		305	2,9	8,48	6,3	9,2	15,0	7,5			
		76	687	0,9	19,17	8,2	25,0	8,2	25,0	SK 92772.1 - 132 SP/4	90
	86	612	1,1	17,08	8,7	25,0	8,7	25,0			
	95	553	1,1	15,42	9,1	25,0	9,1	25,0			
	117	448	1,3	12,50	9,6	24,9	9,6	24,9			
	130	404	1,4	11,28	9,7	24,5	9,7	24,5			
	149	352	1,6	9,81	9,9	24,3	9,9	24,3			
	166	317	1,8	8,85	10,0	23,5	10,0	23,5			
	204	257	2,1	7,18	10,2	21,9	10,2	21,9			
	229	229	2,2	6,39	10,2	21,3	10,2	21,3			
	286	184	2,8	5,12	10,3	19,2	9,7	19,2			
	144	364	1,0	10,16	7,5	17,4	7,5	17,4	SK 92672.1 - 132 SP/4	78	E66-67
	176	299	1,2	8,33	7,8	16,6	7,8	16,6			
	197	267	1,3	7,44	7,9	16,1	7,8	16,1			
	219	240	1,3	6,68	8,0	16,0	7,5	16,0			
	260	202	1,5	5,64	8,2	14,7	7,4	14,7			
	336	156	2,0	4,36	8,3	13,5	6,9	13,5			
7,50	1,1	66410	0,8	1353,86	220,0	100,0	-	-	SK 9096.1/62 - 132 MP/4	1930	E112-113 E115
	1,3	57160	0,9	1165,22	220,0	100,0	-	-			
	1,5	48040	1,0	979,31	220,0	100,0	-	-			
	1,8	40060	1,2	816,57	220,0	100,0	-	-			
	2,1	34480	1,5	702,80	220,0	100,0	-	-			
	2,4	29810	1,7	607,63	220,0	100,0	-	-			
	2,7	26410	1,9	538,33	220,0	100,0	-	-			
	3,1	23260	2,1	474,22	220,0	100,0	-	-			
	3,4	21140	2,4	431,00	220,0	100,0	-	-			
	3,9	18200	2,7	370,95	220,0	100,0	-	-			
4,6	15730	3,2	320,72	220,0	100,0	-	-				
	1,7	41500	0,8	846,40	5,7	70,0	72,1	70,0	SK 9092.1/52 - 132 MP/4	1540	E110-111 E114
	2,1	34660	0,9	706,40	34,2	70,0	96,8	70,0			
	2,4	29910	1,1	608,12	50,0	70,0	112,2	70,0			
	3,3	21690	1,5	441,46	72,5	70,0	136,4	70,0			
	3,8	18950	1,7	385,67	79,0	70,0	143,8	70,0			
	5,2	13800	2,3	280,76	89,9	70,0	156,8	70,0			


7,50 kW



P ₁ [kW]	n ₂ [min ⁻¹]	M ₂ [Nm]	f _B	i _{ges}	F _R [kN]	F _A [kN]	F _{R VL} [kN]	F _{A VL} [kN]	Type	kg	mm
7,50	3,4	21340	0,9	433,35	71,1	65,0	89,8	65,0	SK 9086.1/52 - 132 MP/4	968	E108-109 E114
	3,8	18610	1,1	378,14	80,5	65,0	97,5	65,0			
	5,4	13340	1,5	270,47	92,8	65,0	111,2	65,0			
	6,2	11590	1,7	235,93	96,2	65,0	115,4	65,0			
	7,4	9700	2,1	235,93	98,9	65,0	119,7	65,0			
6,3	11320	1,8	230,64	96,7	65,0	116,0	65,0	SK 9086.1 - 132 MP/4	892	E108-109 E114	
	7,5	9519	2,1	194,04	99,2	65,0	119,6				65,0
4,9	14550	0,9	296,80	79,5	60,0	95,0	60,0	SK 9082.1 - 132 MP/4	642	E106-107	
	6,0	11980	1,1	244,32	85,5	60,0	95,0				60,0
	9,8	7301	1,8	148,76	92,8	60,0	95,0				60,0
	12	6011	2,2	122,46	94,1	60,0	95,0				60,0
	13	5717	2,3	116,45	94,4	60,0	95,0				60,0
	15	4707	2,8	95,86	95,0	60,0	95,0				60,0
7,4	9629	0,8	196,12	47,0	50,0	66,0	39,0	SK 9072.1/42 - 132 MP/4	433	E104-105 E114	
7,8	9163	0,9	186,86	49,1	50,0	66,0	42,3	SK 9072.1 - 132 MP/4	382	E104-105	
	9,3	7723	1,1	157,27	54,5	50,0	66,0				41,5
	13	5401	1,6	110,18	60,5	50,0	66,0				40,6
	16	4486	1,9	91,47	62,2	50,0	66,0				39,6
	18	3905	2,2	79,69	63,1	50,0	66,0				38,7
	21	3438	2,5	70,22	63,7	50,0	66,0				37,9
	25	2867	3,0	58,44	64,4	50,0	66,0				36,6
	29	2467	3,3	50,35	64,8	50,0	66,0				35,6
	12	5887	0,8	120,03	1,2	45,0	29,0				45,0
14		5028	1,0	102,40	15,1	45,0	33,3	45,0			
17		4323	1,1	88,17	20,3	45,0	35,9	45,0			
20		3541	1,4	72,24	24,3	45,0	38,0	45,0			
23		3064	1,6	62,42	26,0	45,0	38,0	45,0			
27		2676	1,8	54,56	27,2	45,0	38,0	44,5			
32		2208	2,2	44,96	28,4	45,0	38,0	42,7			
37		1950	2,5	39,72	28,9	45,0	38,0	41,5			
40		1776	2,7	36,21	29,2	45,0	38,0	40,7			
47		1537	3,1	31,28	29,6	45,0	38,0	39,3			
19		3732	0,8	76,18	0	37,3	18,0	12,8	SK 9042.1 - 132 MP/4	167	E96-97
	21	3361	0,8	68,61	17,9	38,1	28,0	12,3			
	23	3101	0,9	63,25	19,8	37,8	28,0	12,3			
	26	2731	1,0	55,69	22,0	38,6	28,0	13,2			
	31	2335	1,2	47,67	23,8	38,6	28,0	13,6			
	36	1990	1,4	40,54	25,1	38,3	28,0	13,8			
	42	1686	1,7	34,39	26,0	37,8	28,0	13,9			
	46	1556	1,8	31,70	26,4	37,2	28,0	13,8			
	52	1370	2,0	27,91	26,8	36,9	28,0	13,9			
	61	1172	2,3	23,89	27,1	36,1	28,0	13,8			
	72	998	2,6	20,32	26,2	35,2	28,0	13,6			
	80	895	2,7	18,20	25,6	34,5	28,0	13,4			
	93	770	2,6	15,66	24,5	33,0	28,0	12,8			
	109	658	3,0	13,40	23,6	32,0	28,0	12,6			
	128	561	2,7	11,40	22,8	31,0	28,0	12,2			
	142	503	3,0	10,21	22,2	30,2	28,0	12,0			
	155	462	3,2	9,39	21,7	29,7	28,0	11,8			
165	435	3,2	8,83	21,4	29,3	28,0	11,7				
36	1980	0,8	40,36	0,1	5,3	12,7	5,7	SK 9032.1 - 132 MP/4	120	E92-93	
	38	1868	0,8	38,05	0,2	5,8	13,9				5,9
	41	1749	0,9	35,61	3,8	6,1	14,9				6,1
	49	1456	1,0	29,66	4,9	7,4	15,0				6,8
	58	1229	1,2	25,03	5,3	8,0	15,0				7,0
	61	1173	1,3	23,91	5,5	8,3	15,0				7,2
	72	993	1,5	20,23	5,8	8,6	15,0				7,4
	85	839	1,7	17,08	5,9	8,8	15,0				7,4
	91	787	1,8	16,04	6,0	8,9	15,0				7,5
	108	664	2,0	13,49	6,1	8,9	15,0				7,4
	115	622	1,6	12,68	5,7	8,3	15,0				7,1
	136	527	1,7	10,73	5,8	8,3	15,0				7,1
	172	417	2,1	8,48	5,7	8,1	15,0				7,0

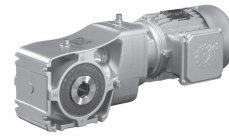
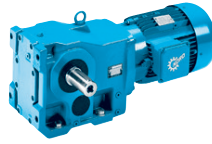
Helical-bevel gear units



P ₁ [kW]	n ₂ [min ⁻¹]	M ₂ [Nm]	f _B	i _{ges}	F _R [kN]	F _A [kN]	F _{R VL} [kN]	F _{A VL} [kN]	Type	kg	mm 				
7,50	85	838	0,8	17,08	6,9	23,2	6,9	23,2	SK 92772.1 - 132 MP/4	97	E68-69				
	95	756	0,8	15,42	7,7	23,2	7,7	23,2							
	117	613	1,0	12,50	8,7	22,3	8,7	22,3							
	129	553	1,0	11,28	9,1	22,2	9,1	22,2							
	149	481	1,2	9,81	9,4	22,4	9,4	22,4							
	165	434	1,3	8,85	9,6	21,6	9,6	21,6							
	203	352	1,6	7,18	9,9	20,2	9,9	20,2							
	229	313	1,6	6,39	10,0	19,9	9,7	19,9							
	285	251	2,0	5,12	10,2	18,0	9,4	18,0							
	350	204	2,4	4,17	10,3	16,9	8,9	16,9							
		175	409	0,9	8,33	7,2	14,3	7,2				14,3	SK 92672.1 - 132 MP/4	85	E66-67
		196	365	1,0	7,44	7,5	14,0	7,2				14,0			
		218	328	1,0	6,68	7,7	14,3	7,0				14,3			
		259	277	1,1	5,64	7,9	13,2	6,9				13,2			
		335	214	1,5	4,36	8,1	12,4	6,6				12,4			
9,20	1,5	58530	0,9	979,31	220,0	100,0	-	-	SK 9096.1/62 - 160 SP/4	1960	E112-113 E115				
	1,8	48800	1,0	816,57	220,0	100,0	-	-							
	2,1	42000	1,2	702,80	220,0	100,0	-	-							
	2,4	36310	1,4	607,63	220,0	100,0	-	-							
	2,7	32170	1,6	538,33	220,0	100,0	-	-							
	3,1	28340	1,8	474,22	220,0	100,0	-	-							
	3,4	25760	1,9	431,00	220,0	100,0	-	-							
	4,0	22170	2,3	370,95	220,0	100,0	-	-							
	4,6	19170	2,6	320,72	220,0	100,0	-	-							
	4,9	17760	2,8	297,17	220,0	100,0	-	-							
	5,4	16140	3,1	270,09	220,0	100,0	-	-							
		8,5	10360	4,8	173,41	220,0	100,0	-				-	SK 9096.1 - 160 SP/4	1830	E112-113
		2,1	42230	0,8	706,40	2,0	70,0	69,3				70,0			
		2,4	36440	0,9	608,12	27,6	70,0	90,6				70,0	SK 9092.1/52 - 160 SP/4	1570	E110-111 E114
		3,3	26430	1,2	441,46	60,2	70,0	122,9				70,0			
		3,8	23080	1,4	385,67	69,0	70,0	132,5	70,0						
		5,2	16820	1,9	280,76	83,7	70,0	149,3	70,0						
		4,9	17800	1,8	297,51	81,5	70,0	146,8	70,0						
		5,8	15140	2,1	253,40	86,5	70,0	152,5	70,0	SK 9092.1 - 160 SP/4	1490	E110-111			
		7,4	11810	2,7	197,51	93,7	70,0	160,0	70,0						
		9,6	9151	3,5	152,96	98,6	70,0	160,0	70,0						
		3,4	25990	0,8	433,35	46,6	65,0	75,3	65,0						
		3,9	22680	0,9	378,14	65,5	65,0	85,8	65,0	SK 9086.1/52 - 160 SP/4	999	E108-109 E114			
		5,4	16250	1,2	270,47	86,6	65,0	103,9	65,0						
		6,2	14130	1,4	235,93	91,2	65,0	109,3	65,0						
		6,4	13790	1,5	230,64	91,9	65,0	110,1	65,0						
		7,6	11600	1,7	194,04	95,9	65,0	114,8	65,0	SK 9086.1 - 160 SP/4	923	E108-109			
		9,7	9077	2,2	151,76	99,7	65,0	120,0	65,0						
		12	7635	2,6	127,67	101,3	65,0	120,0	65,0						
		13	6970	2,9	116,50	101,9	65,0	120,0	65,0						
		5,1	17090	0,8	285,05	71,9	60,0	95,0	60,0						
		6,0	14600	0,9	244,32	79,3	60,0	95,0	60,0						
		9,9	8895	1,5	148,76	90,7	60,0	95,0	60,0	SK 9082.1 - 160 SP/4	673	E106-107			
12		7323	1,8	122,46	92,7	60,0	95,0	60,0							
13		6966	1,9	116,45	93,1	60,0	95,0	60,0							
15		5735	2,3	95,86	94,3	60,0	95,0	60,0							
18		4957	2,6	82,88	95,0	60,0	95,0	60,0							
7,9		11160	0,8	186,86	38,1	50,0	66,0	38,3							
9,3		9409	0,9	157,27	47,9	50,0	66,0	38,2							
	13	6580	1,3	110,18	57,7	50,0	66,0	38,3	SK 9072.1 - 160 SP/4	413	E104-105				
	16	5466	1,6	91,47	60,4	50,0	66,0	37,7							
	18	4758	1,8	79,69	61,7	50,0	66,0	37,1							

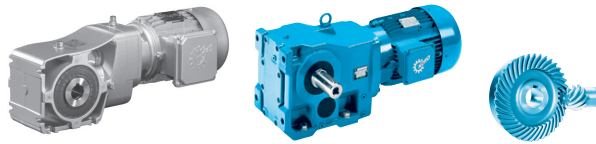
Helical-bevel gear units


9,20 kW
11,0 kW



P ₁ [kW]	n ₂ [min ⁻¹]	M ₂ [Nm]	f _B	i _{ges}	F _R [kN]	F _A [kN]	F _{R VL} [kN]	F _{A VL} [kN]	Type	kg	mm 	
9,20	21	4188	2,0	70,22	62,7	50,0	66,0	36,4	SK 9072.1 - 160 SP/4	413	E104-105	
	25	3492	2,4	58,44	63,7	50,0	66,0	35,4				
	29	3006	2,7	50,35	64,2	50,0	66,0	34,4				
	36	2453	3,1	41,11	61,6	50,0	66,0	33,1				
	9,20	17	5267	0,9	88,17	12,3	45,0	32,1	45,0	SK 9052.1 - 160 SP/4	273	E100-101
		20	4314	1,1	72,24	20,3	45,0	35,9	45,0			
		24	3732	1,3	62,42	23,4	45,0	37,8	44,0			
		27	3260	1,5	54,56	25,3	45,0	38,0	43,0			
		33	2690	1,8	44,96	27,2	45,0	38,0	41,5			
		37	2375	2,0	39,72	28,0	45,0	38,0	40,5			
		41	2164	2,2	36,21	28,5	45,0	38,0	39,7			
		47	1872	2,6	31,28	29,1	45,0	38,0	38,5			
		54	1636	2,8	27,35	29,5	45,0	38,0	37,3			
		63	1397	3,1	23,33	29,8	45,0	38,0	35,9			
		65	1349	3,2	22,53	29,9	45,0	38,0	35,7			
		9,20	26	3327	0,8	55,69	18,1	34,7	28,0			
31	2845		1,0	47,67	21,3	35,1	28,0	11,6				
36	2424		1,2	40,54	23,4	35,5	28,0	12,1				
43	2054		1,4	34,39	24,9	35,3	28,0	12,5				
47	1882		1,2	31,48	25,4	35,2	28,0	12,6				
53	1669		1,7	27,91	26,1	34,9	28,0	12,7				
62	1427		1,9	23,89	26,1	34,4	28,0	12,8				
72	1216		2,1	20,32	25,4	33,7	28,0	12,7				
81	1091		2,2	18,20	24,9	33,2	28,0	12,7				
94	938		2,1	15,66	23,8	31,7	28,0	12,1				
110	802		2,5	13,40	23,1	30,9	28,0	11,9				
129	683		2,2	11,40	22,3	30,1	28,0	11,7				
143	613		2,4	10,21	21,7	29,4	28,0	11,5				
156	563		2,7	9,39	21,3	28,9	28,0	11,4				
166	530		2,6	8,83	21,0	28,6	28,0	11,3				
11,0	1,8		58550	0,9	816,57	220,0	100,0	-	-	SK 9096.1/62 - 160 MP/4	1960	E112-113 E115
	2,1	50390	1,0	702,80	220,0	100,0	-	-				
	2,4	43570	1,1	607,63	220,0	100,0	-	-				
	2,7	38600	1,3	538,33	220,0	100,0	-	-				
	3,1	34000	1,5	474,22	220,0	100,0	-	-				
	3,4	30900	1,6	431,00	220,0	100,0	-	-				
	3,9	26600	1,9	370,95	220,0	100,0	-	-				
	4,6	23000	2,2	320,72	220,0	100,0	-	-				
	4,9	21310	2,3	297,17	220,0	100,0	-	-				
	5,4	19370	2,6	270,09	220,0	100,0	-	-				
	6,3	16740	3,0	233,51	220,0	100,0	-	-				
	8,4	12430	4,0	173,41	220,0	100,0	-	-	SK 9096.1 - 160 MP/4	1830	E112-113	
	11,0	3,3	31700	1,0	441,46	44,3	70,0	106,5	70,0	SK 9092.1/52 - 160 MP/4	1570	E110-111 E114
		3,8	27690	1,2	385,67	56,6	70,0	119,1	70,0			
		5,2	20180	1,6	280,76	76,1	70,0	140,5	70,0			
		6,6	16000	2,0	222,14	85,4	70,0	151,4	70,0			
11,0	4,9	21350	1,5	297,51	73,3	70,0	137,3	70,0	SK 9092.1 - 160 MP/4	1490	E110-111	
	5,8	18160	1,8	253,40	79,9	70,0	144,7	70,0				
	7,4	14170	2,3	197,51	89,2	70,0	155,9	70,0				
	9,6	10980	2,9	152,96	95,3	70,0	160,0	70,0				
	12	8621	3,7	120,23	99,5	70,0	160,0	70,0				
	14	7340	4,4	102,28	101,7	70,0	160,0	70,0				
11,0	5,4	19490	1,0	270,47	77,8	65,0	95,1	65,0	SK 9086.1/52 - 160 MP/4	999	E108-109 E114	
	6,2	16950	1,2	235,93	85,0	65,0	102,0	65,0				
11,0	6,4	16540	1,2	230,64	85,9	65,0	103,1	65,0	SK 9086.1 - 160 MP/4	923	E108-109	
	7,5	13910	1,4	194,04	91,1	65,0	109,1	65,0				
	9,6	10890	1,8	151,76	97,3	65,0	117,0	65,0				
	11	9160	2,2	127,67	99,6	65,0	120,0	65,0				
	13	8362	2,4	116,50	100,5	65,0	120,0	65,0				
	16	6498	3,1	90,50	102,3	65,0	120,0	65,0				

Helical-bevel gear units



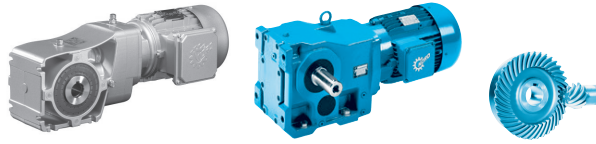
P ₁ [kW]	n ₂ [min ⁻¹]	M ₂ [Nm]	f _B	i _{ges}	F _R [kN]	F _A [kN]	F _{R VL} [kN]	F _{A VL} [kN]	Type	kg	mm 
11,0	8,0	13070	1,0	182,09	83,2	60,0	95,0	60,0	SK 9082.1/52 - 160 MP/4	749	E106-107 E114
	9,8	10670	1,2	148,76	88,0	60,0	95,0	60,0	SK 9082.1 - 160 MP/4	673	E106-107
	12	8786	1,5	122,46	90,9	60,0	95,0	60,0			
	13	8357	1,6	116,45	91,5	60,0	95,0	60,0			
	15	6880	1,9	95,86	93,2	60,0	95,0	60,0			
	18	5947	2,2	82,88	94,2	60,0	95,0	60,0			
	20	5131	2,5	71,50	94,8	60,0	95,0	60,0			
	23	4476	2,9	62,39	95,0	60,0	95,0	60,0			
	9,3	11290	0,8	157,27	37,7	50,0	66,0	34,5	SK 9072.1 - 160 MP/4	413	E104-105
	13	7894	1,1	110,18	53,9	50,0	66,0	35,8			
	16	6557	1,3	91,47	57,9	50,0	66,0	35,6			
	18	5708	1,5	79,69	59,9	50,0	66,0	35,3			
	21	5025	1,7	70,22	61,3	50,0	66,0	34,9			
	25	4190	2,0	58,44	62,7	50,0	66,0	34,0			
	29	3606	2,3	50,35	62,9	50,0	66,0	33,3			
	36	2943	2,6	41,11	60,3	50,0	66,0	32,2			
	42	2521	3,4	35,19	58,3	50,0	66,0	31,3			
	17	6318	0,8	88,17	1,0	45,0	26,3	43,7	SK 9052.1 - 160 MP/4	273	E100-101
	20	5175	0,9	72,24	13,6	45,0	32,6	43,0			
	23	4478	1,1	62,42	19,4	45,0	35,4	42,3			
27	3911	1,2	54,56	22,6	45,0	37,3	41,5				
33	3227	1,5	44,96	25,5	45,0	38,0	40,3				
37	2850	1,7	39,72	26,7	45,0	38,0	39,4				
40	2596	1,8	36,21	27,4	45,0	38,0	38,7				
47	2246	2,1	31,28	28,3	45,0	38,0	37,6				
54	1962	2,3	27,35	28,9	45,0	38,0	36,6				
63	1676	2,6	23,33	29,4	45,0	38,0	35,3				
65	1619	2,7	22,53	29,5	45,0	38,0	35,1				
73	1430	3,0	19,91	29,8	45,0	38,0	34,1				
82	1284	3,3	17,94	29,9	45,0	38,0	33,3				
90	1173	3,7	16,33	30,1	45,0	38,0	32,3				
109	968	4,4	13,45	30,3	45,0	38,0	30,8				
123	855	4,6	11,88	30,4	45,0	38,0	29,9				
137	768	3,8	10,71	30,4	45,0	38,0	29,1				
31	3414	0,8	47,67	17,5	31,5	27,8	9,4	SK 9042.1 - 160 MP/4	198	E96-97	
36	2908	1,0	40,54	21,0	32,4	28,0	10,3				
43	2465	1,1	34,39	23,2	32,7	28,0	11,0				
47	2257	1,0	31,48	24,1	32,8	28,0	11,2				
52	2003	1,4	27,91	25,1	32,7	28,0	11,5				
61	1713	1,6	23,89	25,2	32,5	28,0	11,7				
72	1459	1,8	20,32	24,6	32,1	28,0	11,8				
80	1308	1,9	18,20	24,1	31,8	28,0	11,8				
93	1125	1,8	15,66	23,1	30,5	28,0	11,3				
109	962	2,1	13,40	22,5	29,8	28,0	11,3				
128	820	1,8	11,40	21,8	29,1	28,0	11,1				
143	735	2,0	10,21	21,3	28,6	28,0	11,0				
156	675	2,2	9,39	20,9	28,1	28,0	10,9				
165	636	2,2	8,83	20,6	27,8	27,9	10,8				


15,0 kW



P ₁ [kW]	n ₂ [min ⁻¹]	M ₂ [Nm]	f _B	i _{ges}	F _R [kN]	F _A [kN]	F _{R VL} F _{A VL} [kN]		Type	kg	mm 			
15,0	2,4	59410	0,8	607,63	220,0	100,0	-	-	SK 9096.1/62 - 160 LP/4	1990	E112-113 E115			
	2,7	52630	0,9	538,33	220,0	100,0	-	-						
	3,1	46370	1,1	474,22	220,0	100,0	-	-						
	3,4	42140	1,2	431,00	220,0	100,0	-	-						
	3,9	36270	1,4	370,95	220,0	100,0	-	-						
	4,6	31360	1,6	320,72	220,0	100,0	-	-						
	4,9	29060	1,7	297,17	220,0	100,0	-	-						
	5,4	26410	1,9	270,09	220,0	100,0	-	-						
	6,3	22830	2,2	233,51	220,0	100,0	-	-						
	7,0	20430	2,4	208,95	214,9	100,0	-	-						
	7,3	19610	2,5	200,57	220,0	100,0	-	-	SK 9096.1 - 160 LP/4	1860	E112-113			
	8,4	16960	2,9	173,41	220,0	100,0	-	-						
	9,5	15090	3,3	154,29	220,0	100,0	-	-						
	11	13040	3,8	133,53	220,0	100,0	-	-						
	3,8	37760	0,8	385,67	22,3	70,0	86,0	70,0	SK 9092.1/52 - 160 LP/4	1600	E110-111 E114			
	5,2	27510	1,2	280,76	57,1	70,0	119,6	70,0						
	6,6	21820	1,5	222,14	72,2	70,0	136,1	70,0						
	7,6	18750	1,7	191,28	79,4	70,0	144,3	70,0						
	4,9	29120	1,1	297,51	52,4	70,0	114,7	70,0	SK 9092.1 - 160 LP/4	1520	E110-111			
	5,8	24760	1,3	253,40	63,6	70,0	126,1	70,0						
	7,4	19320	1,7	197,51	78,1	70,0	142,8	70,0						
	9,6	14970	2,1	152,96	87,5	70,0	153,9	70,0						
	12	11760	2,7	120,23	93,8	70,0	160,0	70,0						
	14	10010	3,2	102,28	97,1	70,0	160,0	70,0						
	5,4	26580	0,8	270,47	42,1	65,0	73,4	65,0	SK 9086.1/52 - 160 LP/4	1030	E108-109 E114			
	6,2	23110	0,9	235,93	63,5	65,0	84,5	65,0						
	6,4	22550	0,9	230,64	66,0	65,0	86,2	65,0	SK 9086.1 - 160 LP/4	952	E108-109			
	7,5	18970	1,1	194,04	79,4	65,0	95,6	65,0						
	9,6	14850	1,3	151,76	89,6	65,0	107,4	65,0						
	11	12490	1,6	127,67	94,1	65,0	112,6	65,0						
	13	11400	1,8	116,50	96,5	65,0	115,8	65,0						
	16	8861	2,3	90,50	100,0	65,0	120,0	65,0						
	19	7659	2,6	78,24	101,3	65,0	120,0	65,0						
	22	6608	3,0	67,50	102,2	65,0	120,0	65,0						
	9,8	14550	0,9	148,76	79,6	60,0	95,0	60,0				SK 9082.1 - 160 LP/4	702	E106-107
	12	11980	1,1	122,46	85,5	60,0	95,0	60,0						
	13	11400	1,1	116,45	86,7	60,0	95,0	60,0						
	15	9382	1,4	95,86	90,1	60,0	95,0	60,0						
	18	8110	1,6	82,88	91,8	60,0	95,0	60,0						
	20	6997	1,9	71,50	93,1	60,0	95,0	60,0						
	23	6104	2,1	62,39	94,0	60,0	95,0	60,0						
	27	5220	2,5	53,28	93,3	60,0	95,0	60,0						
	33	4373	3,0	44,63	89,5	60,0	95,0	60,0						
	35	4069	3,2	41,54	88,2	60,0	95,0	60,0						
	41	3510	3,7	35,83	84,9	60,0	95,0	60,0						
	13	10760	0,8	110,18	40,9	50,0	66,0	30,4	SK 9072.1 - 160 LP/4	442	E104-105			
	16	8942	1,0	91,47	50,0	50,0	66,0	31,2						
	18	7783	1,1	79,69	54,2	50,0	66,0	31,3						
	21	6852	1,2	70,22	57,0	50,0	66,0	31,4						
	25	5713	1,5	58,44	59,9	50,0	66,0	31,2						
	29	4917	1,7	50,35	59,6	50,0	66,0	30,9						
	36	4013	1,9	41,11	57,5	50,0	66,0	30,2						
	42	3438	2,5	35,19	56,0	50,0	66,0	29,5						
	50	2866	3,0	29,29	54,0	50,0	66,0	28,8						
	58	2467	3,4	25,24	52,3	50,0	66,0	28,0						
	71	2013	4,2	20,61	50,1	50,0	66,0	26,9						
	23	6106	0,8	62,42	2,3	45,0	27,7	38,5				SK 9052.1 - 160 LP/4	302	E100-101
	27	5334	0,9	54,56	11,8	45,0	31,9	38,2						
	33	4400	1,1	44,96	19,9	45,0	35,7	37,5						
	37	3886	1,2	39,72	22,7	45,0	37,3	37,0						
	40	3540	1,4	36,21	24,3	45,0	38,0	36,5						
	47	3063	1,6	31,28	26,1	45,0	38,0	35,7						

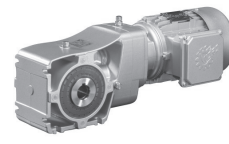
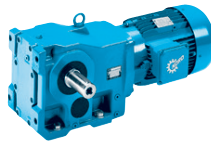
Helical-bevel gear units



P ₁ [kW]	n ₂ [min ⁻¹]	M ₂ [Nm]	f _B	i _{ges}	F _R [kN]	F _A [kN]	F _{R VL} [kN]	F _{A VL} [kN]	Type	kg	mm 				
15,0	54	2676	1,7	27,35	27,2	45,0	38,0	34,9	SK 9052.1 - 160 LP/4	302	E100-101				
	63	2285	1,9	23,33	28,2	45,0	38,0	33,9							
	65	2208	1,9	22,53	28,4	45,0	38,0	33,7							
	73	1950	2,2	19,91	28,9	45,0	38,0	32,9							
	82	1751	2,5	17,94	29,3	45,0	38,0	32,2							
	90	1600	2,7	16,33	29,5	45,0	38,0	31,2							
	109	1320	3,3	13,45	29,9	45,0	38,0	29,9							
	123	1166	3,3	11,88	30,1	45,0	38,0	29,1							
	137	1047	2,8	10,71	30,2	45,0	38,0	28,4							
	148	970	2,9	9,93	30,3	45,0	38,0	27,9							
	155	925	2,8	9,40	30,3	45,0	38,0	27,5							
	180	795	3,3	8,10	30,4	45,0	38,0	26,5							
	15,0	43	3361	0,8	34,39	17,9	27,0	23,0				7,6	SK 9042.1 - 160 LP/4	227	E96-97
		52	2731	1,0	27,91	22,0	28,1	25,3				8,7			
61		2335	1,2	23,89	23,0	28,5	26,4	9,4							
72		1990	1,3	20,32	22,7	28,7	27,0	9,8							
80		1784	1,4	18,20	22,5	28,6	27,3	10,0							
93		1534	1,3	15,66	21,5	27,5	26,1	9,6							
109		1312	1,5	13,40	21,1	27,3	26,3	9,8							
128		1118	1,3	11,40	20,6	27,0	26,2	9,9							
143		1002	1,5	10,21	20,3	26,7	26,1	9,9							
156		921	1,6	9,39	20,0	26,4	26,0	9,9							
165		868	1,6	8,83	19,8	26,2	25,8	9,9							
18,5		2,7	64260	0,8	538,33	220,0	100,0	-	-	SK 9096.1/62 - 180 MP/4	2020	E112-113 E115			
		3,1	56610	0,9	474,22	220,0	100,0	-	-						
		3,4	51450	1,0	431,00	220,0	100,0	-	-						
	4,0	44280	1,1	370,95	220,0	100,0	-	-							
	4,6	38280	1,3	320,72	220,0	100,0	-	-							
	5,0	35470	1,4	297,17	220,0	100,0	-	-							
	5,5	32240	1,6	270,09	220,0	100,0	-	-							
	6,3	27870	1,8	233,51	220,0	100,0	-	-							
	7,1	24940	2,0	208,95	220,0	100,0	-	-							
	18,5	7,4	23940	2,1	200,57	220,0	100,0	-	-				SK 9096.1 - 180 MP/4	1890	E112-113
		8,5	20700	2,4	173,41	220,0	100,0	-	-						
		9,6	18420	2,7	154,29	220,0	100,0	-	-						
		11	15920	3,1	133,53	220,0	100,0	-	-						
	18,5	5,3	33590	1,0	280,76	38,0	70,0	100,4	70,0				SK 9092.1/52 - 180 MP/4	1630	E110-111 E114
6,6		26640	1,2	222,14	59,6	70,0	122,3	70,0							
7,7		22890	1,4	191,28	69,5	70,0	133,1	70,0							
18,5	9,7	18280	1,8	152,96	80,5	70,0	145,6	70,0	SK 9092.1 - 180 MP/4	1560	E110-111				
	12	14350	2,2	120,23	88,8	70,0	155,5	70,0							
	14	12220	2,6	102,28	93,0	70,0	160,0	70,0							
	16	10950	2,9	91,60	95,3	70,0	160,0	70,0							
18,5	8,6	20550	1,0	171,89	74,1	65,0	92,1	65,0	SK 9086.1/52 - 180 MP/4	1060	E108-109 E114				
	10	17290	1,0	144,60	83,5	65,0	100,3	65,0							
18,5	13	13920	1,4	116,50	91,6	65,0	109,8	65,0	SK 9086.1 - 180 MP/4	985	E108-109				
	16	10820	1,8	90,50	97,4	65,0	117,2	65,0							
	19	9351	2,1	78,24	99,4	65,0	120,0	65,0							
	22	8067	2,5	67,50	100,8	65,0	120,0	65,0							
	25	7038	2,8	58,90	101,9	65,0	120,0	65,0							
18,5	12	14760	0,8	123,13	79,0	60,0	95,0	60,0	SK 9082.1/52 - 180 MP/4	811	E106-107 E114				
	18,5	13	13910	0,9	116,45	81,1	60,0	95,0				60,0	SK 9082.1 - 180 MP/4	735	E106-107
		15	11450	1,1	95,86	86,5	60,0	95,0				60,0			
		18	9901	1,3	82,88	89,2	60,0	95,0				60,0			
		21	8542	1,5	71,50	91,2	60,0	95,0				60,0			
		24	7452	1,7	62,39	92,6	60,0	95,0				60,0			
		28	6373	2,0	53,28	90,6	60,0	95,0				60,0			
		33	5339	2,4	44,63	87,4	60,0	95,0				60,0			
		36	4967	2,6	41,54	86,0	60,0	95,0				60,0			
		41	4285	3,0	35,83	83,1	60,0	95,0				60,0			

18,5 kW
22,0 kW

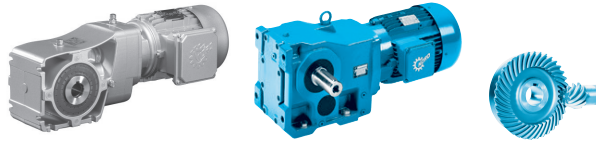
IE3




NORD
DRIVESYSTEMS

P ₁ [kW]	n ₂ [min ⁻¹]	M ₂ [Nm]	f _B	i _{ges}	F _R [kN]	F _A [kN]	F _{R VL} [kN]	F _{A VL} [kN]	Type	kg	mm 				
18,5	16	10920	0,8	91,47	39,8	50,0	66,0	27,1	SK 9072.1 - 180 MP/4	475	E104-105				
	19	9502	0,9	79,69	47,4	50,0	66,0	27,9							
	21	8365	1,0	70,22	52,1	50,0	66,0	28,3							
	25	6975	1,2	58,44	56,7	50,0	66,0	28,6							
	29	6003	1,4	50,35	56,6	50,0	66,0	28,6							
	33	5349	1,4	44,81	55,8	50,0	66,0	28,5							
	36	4899	1,6	41,11	55,1	50,0	66,0	28,5							
	42	4197	2,0	35,19	53,9	50,0	66,0	28,0							
	50	3499	2,4	29,29	52,2	50,0	66,0	27,4							
	59	3012	2,8	25,24	50,9	50,0	66,0	26,9							
	66	2684	3,2	22,46	49,6	50,0	66,0	26,3							
	72	2458	3,5	20,61	48,8	50,0	66,0	26,0							
	81	2193	3,6	18,29	47,5	50,0	66,0	25,5							
	18,5	33	5372	0,9	44,96	11,1	45,0	31,6				35,1	SK 9052.1 - 180 MP/4	335	E100-101
		37	4744	1,0	39,72	17,4	45,0	34,4				34,8			
		41	4322	1,1	36,21	20,3	45,0	35,9				34,6			
		47	3740	1,3	31,28	23,4	45,0	37,7				34,0			
		54	3267	1,4	27,35	25,3	45,0	38,0				33,4			
		63	2790	1,5	23,33	26,9	45,0	38,0				32,6			
		66	2695	1,6	22,53	27,2	45,0	38,0				32,5			
74		2380	1,8	19,91	28,0	45,0	38,0	31,8							
83		2138	2,0	17,94	28,5	45,0	38,0	31,2							
90		1953	2,2	16,33	28,9	45,0	38,0	30,2							
110		1612	2,7	13,45	29,5	45,0	38,0	29,1							
124		1423	2,7	11,88	29,8	45,0	38,0	28,3							
138		1279	2,3	10,71	30,0	45,0	38,0	27,7							
149		1185	2,4	9,93	30,1	45,0	38,0	27,3							
157		1129	2,3	9,40	30,1	45,0	38,0	26,9							
182		970	2,7	8,10	30,3	45,0	38,0	26,0							
18,5		53	3334	0,8	27,91	18,0	23,9	19,9	6,4	SK 9042.1 - 180 MP/4	260	E96-97			
		62	2851	0,9	23,89	21,0	25,0	21,8	7,3						
	73	2429	1,1	20,32	21,0	25,7	23,2	8,1							
	81	2178	1,1	18,20	21,0	26,0	23,9	8,5							
	94	1873	1,1	15,66	20,1	24,9	22,9	8,1							
	110	1602	1,2	13,40	20,0	25,1	23,5	8,5							
	129	1365	1,1	11,40	19,6	25,1	23,9	8,8							
	144	1224	1,2	10,21	19,4	25,0	24,0	8,9							
	157	1124	1,3	9,39	19,1	24,8	24,0	9,0							
	167	1059	1,3	8,83	19,0	24,7	24,0	9,0							
	22,0	3,4	61390	0,8	431,00	220,0	100,0	-	-				SK 9096.1/62 - 180 LP/4	2020	E112-113 E115
4,0		52830	0,9	370,95	220,0	100,0	-	-							
4,6		45680	1,1	320,72	220,0	100,0	-	-							
5,0		42330	1,2	297,17	220,0	100,0	-	-							
5,5		38470	1,3	270,09	220,0	100,0	-	-							
6,3		33260	1,5	233,51	220,0	100,0	-	-							
7,1		29760	1,7	208,95	220,0	100,0	-	-							
7,4		28570	1,8	200,57	220,0	100,0	-	-							
8,5		24700	2,0	173,41	220,0	100,0	-	-							
9,6		21970	2,3	154,29	220,0	100,0	-	-							
11	19000	2,6	133,53	220,0	100,0	-	-								
12	16830	3,0	118,18	220,0	100,0	-	-								
22,0	5,2	40080	0,8	280,76	12,4	70,0	77,5	70,0	SK 9092.1/52 - 180 LP/4	1630	E110-111 E114				
	6,6	31780	1,0	222,14	44,0	70,0	106,3	70,0							
	7,7	27320	1,2	191,28	57,7	70,0	120,2	70,0							
22,0	9,6	21810	1,5	152,96	72,2	70,0	136,1	70,0	SK 9092.1 - 180 LP/4	1560	E110-111				
	12	17130	1,9	120,23	83,0	70,0	148,5	70,0							
	14	14580	2,2	102,28	88,3	70,0	154,9	70,0							
	16	13060	2,4	91,60	91,3	70,0	158,6	70,0							
	18	11390	2,8	80,00	94,5	70,0	160,0	70,0							
	21	9832	3,3	68,87	97,4	70,0	160,0	70,0							
	8,6	24530	0,8	171,89	56,1	65,0	80,1	65,0				SK 9086.1/52 - 180 LP/4	1060	E108-109 E114	
10	20630	0,9	144,60	73,8	65,0	90,8	65,0								

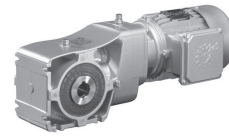
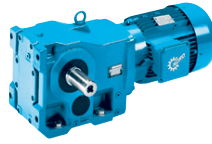
Helical-bevel gear units



P ₁ [kW]	n ₂ [min ⁻¹]	M ₂ [Nm]	f _B	i _{ges}	F _R [kN]	F _A [kN]	F _{R VL} [kN]	F _{A VL} [kN]	Type	kg	mm 			
22,0	13	16610	1,2	116,50	85,7	65,0	102,9	65,0	SK 9086.1 - 180 LP/4	985	E108-109			
	16	12910	1,5	90,50	93,7	65,0	112,2	65,0						
	19	11160	1,8	78,24	96,9	65,0	116,4	65,0						
	22	9626	2,1	67,50	99,0	65,0	119,8	65,0						
	25	8398	2,4	58,90	100,5	65,0	120,0	65,0						
	29	7182	2,8	50,30	101,7	65,0	120,0	65,0						
	13	16600	0,8	116,45	73,6	60,0	95,0	60,0				SK 9082.1 - 180 LP/4	735	E106-107
	15	13670	1,0	95,86	81,8	60,0	95,0	60,0						
	18	11810	1,1	82,88	85,8	60,0	95,0	60,0						
	21	10190	1,3	71,50	88,8	60,0	95,0	60,0						
	24	8892	1,5	62,39	90,8	60,0	95,0	60,0						
	28	7604	1,7	53,28	88,2	60,0	95,0	60,0						
	33	6370	2,0	44,63	85,3	60,0	95,0	60,0						
	35	5927	2,2	41,54	84,3	60,0	95,0	60,0						
	41	5113	2,5	35,83	81,6	60,0	95,0	60,0						
	47	4461	2,9	31,27	79,4	60,0	95,0	60,0						
	21	9982	0,9	70,22	45,2	50,0	66,0	25,3	SK 9072.1 - 180 LP/4	475	E104-105			
	25	8323	1,0	58,44	52,4	50,0	66,0	26,1						
	29	7163	1,1	50,35	53,5	50,0	66,0	26,5						
	33	6383	1,2	44,81	53,2	50,0	66,0	26,6						
	36	5845	1,3	41,11	52,7	50,0	66,0	26,6						
	42	5008	1,7	35,19	51,8	50,0	66,0	26,5						
	50	4176	2,0	29,29	50,5	50,0	66,0	26,1						
	58	3594	2,4	25,24	49,3	50,0	66,0	25,8						
	66	3202	2,7	22,46	48,3	50,0	66,0	25,4						
	72	2933	2,9	20,61	47,6	50,0	66,0	25,1						
	80	2617	3,0	18,29	46,5	50,0	66,0	24,6						
	90	2341	3,2	16,44	45,5	50,0	66,0	24,2						
	95	2206	3,4	15,40	44,7	50,0	66,0	23,8						
105	2000	2,6	14,06	43,4	50,0	66,0	23,1							
118	1782	2,8	12,51	42,3	50,0	65,3	22,6							
122	1718	2,9	12,06	42,0	50,0	64,8	22,5							
129	1632	3,1	11,48	41,5	50,0	64,2	22,3							
144	1456	3,2	10,19	40,4	50,0	62,6	21,8							
161	1303	3,6	9,16	39,5	50,0	61,2	21,3							
37	5661	0,8	39,72	6,1	45,0	30,3	32,7	SK 9052.1 - 180 LP/4	335	E100-101				
41	5157	0,9	36,21	13,8	45,0	32,7	32,7							
47	4463	1,1	31,28	19,5	45,0	35,5	32,4							
54	3898	1,2	27,35	22,7	45,0	37,3	32,0							
63	3329	1,3	23,33	25,1	45,0	38,0	31,3							
65	3216	1,3	22,53	25,5	45,0	38,0	31,3							
74	2840	1,5	19,91	26,8	45,0	38,0	30,7							
82	2551	1,7	17,94	27,5	45,0	38,0	30,2							
90	2331	1,8	16,33	28,1	45,0	38,0	29,2							
109	1923	2,2	13,45	29,0	45,0	38,0	28,3							
124	1698	2,3	11,88	29,4	45,0	38,0	27,7							
138	1526	1,9	10,71	29,6	45,0	38,0	27,1							
149	1414	2,0	9,93	29,8	45,0	38,0	26,7							
156	1347	1,9	9,40	29,9	45,0	38,0	26,4							
182	1157	2,2	8,10	30,1	45,0	38,0	25,6							
62	3402	0,8	23,89	17,6	21,5	17,2	5,3	SK 9042.1 - 180 LP/4	260	E96-97				
72	2898	0,9	20,32	19,4	22,7	19,3	6,3							
81	2599	0,9	18,20	19,5	23,4	20,5	6,9							
94	2235	0,9	15,66	18,7	22,5	19,6	6,6							
110	1911	1,0	13,40	18,7	22,9	20,7	7,3							
129	1628	0,9	11,40	18,6	23,2	21,6	7,7							
144	1460	1,0	10,21	18,5	23,4	22,0	7,9							
157	1341	1,1	9,39	18,3	23,4	22,1	8,1							
166	1264	1,1	8,83	18,2	23,3	22,2	8,2							
30,0	4,6	61870	0,8	320,72	220,0	100,0	-	-	SK 9096.1/62 - 225 RP/4	2180	E112-113 E115			
	5,0	57330	0,9	297,17	220,0	100,0	-	-						
	5,5	52100	1,0	270,09	220,0	100,0	-	-						
	6,4	45050	1,1	233,51	220,0	100,0	-	-						
	7,1	40310	1,2	208,95	220,0	100,0	-	-						

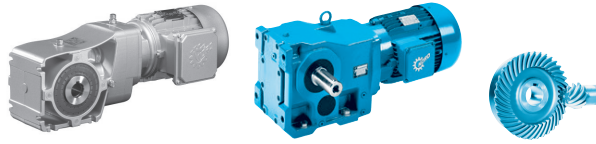
Helical-bevel gear units


30,0 kW



P ₁ [kW]	n ₂ [min ⁻¹]	M ₂ [Nm]	f _B	i _{ges}	F _R [kN]	F _A [kN]	F _{R VL} [kN]	F _{A VL} [kN]	Type	kg	mm			
30,0	7,4	38690	1,3	200,57	220,0	100,0	-	-	SK 9096.1 - 225 RP/4	2050	E112-113			
	8,6	33450	1,5	173,41	220,0	100,0	-	-						
	9,6	29760	1,7	154,29	220,0	100,0	-	-						
	11	25730	1,9	133,53	220,0	100,0	-	-						
	13	22800	2,2	118,18	220,0	100,0	-	-						
	15	19710	2,5	102,18	220,0	100,0	-	-						
	17	17290	2,9	89,60	220,0	100,0	-	-						
	18	15710	3,2	81,43	220,0	100,0	-	-						
	12	23200	1,4	120,23	68,7	70,0	132,2	70,0	SK 9092.1 - 225 RP/4	1720	E110-111			
	15	19750	1,6	102,28	77,1	70,0	141,7	70,0						
	16	17700	1,8	91,60	81,8	70,0	147,1	70,0						
	19	15430	2,1	80,00	86,6	70,0	152,8	70,0						
	22	13320	2,4	68,87	90,8	70,0	158,0	70,0						
	25	11330	2,8	58,66	94,1	70,0	160,0	70,0						
	16	17480	1,1	90,50	83,7	65,0	100,6	65,0	SK 9086.1 - 225 RP/4	1140	E108-109			
	19	15110	1,3	78,24	89,1	65,0	106,8	65,0						
	22	13040	1,5	67,50	93,4	65,0	111,9	65,0						
	25	11370	1,8	58,90	96,6	65,0	115,9	65,0						
	29	9728	2,1	50,30	98,9	65,0	119,6	65,0						
	35	8149	2,5	42,13	100,8	65,0	120,0	65,0						
	42	6855	2,6	35,44	102,0	65,0	120,0	65,0						
	18	16000	0,8	82,88	74,8	60,0	95,0	60,0	SK 9082.1 - 225 RP/4	895	E106-107			
	21	13810	0,9	71,50	81,0	60,0	95,0	60,0						
	24	12040	1,1	62,39	84,2	60,0	95,0	60,0						
	28	10300	1,3	53,28	82,6	60,0	95,0	60,0						
	33	8628	1,5	44,63	80,8	60,0	95,0	60,0						
	36	8028	1,6	41,54	79,8	60,0	95,0	60,0						
	41	6926	1,9	35,83	77,9	60,0	95,0	60,0						
	47	6042	2,2	31,27	76,1	60,0	95,0	60,0						
	55	5167	2,5	26,71	73,8	60,0	95,0	60,0						
	66	4329	3,0	22,37	71,1	60,0	95,0	58,7						
	86	3344	3,9	17,35	67,3	60,0	95,0	55,5						
	101	2823	4,6	14,61	64,5	60,0	95,0	53,3						
	25	11270	0,8	58,44	23,4	50,0	61,8	21,7				SK 9072.1 - 225 RP/4	635	E104-105
	30	9702	0,8	50,35	45,9	50,0	65,3	21,5						
	33	8645	0,9	44,81	47,0	50,0	66,0	22,1						
	36	7917	1,0	41,11	47,0	50,0	66,0	22,5						
	42	6783	1,3	35,19	47,0	50,0	66,0	23,0						
	51	5656	1,5	29,29	46,6	50,0	66,0	23,2						
	59	4868	1,7	25,24	46,0	50,0	66,0	23,3						
	66	4337	2,0	22,46	45,3	50,0	66,0	23,2						
	72	3972	2,1	20,61	44,9	50,0	66,0	23,1						
	81	3544	2,2	18,29	44,1	50,0	66,0	22,8						
	90	3171	2,4	16,44	43,3	50,0	65,8	22,6						
	96	2987	2,5	15,40	42,6	50,0	64,8	22,3						
	106	2709	1,9	14,06	41,4	50,0	63,0	21,6						
	119	2414	2,1	12,51	40,6	50,0	61,8	21,3						
	123	2326	2,1	12,06	40,3	50,0	61,5	21,2						
	130	2210	2,3	11,48	39,9	50,0	61,0	21,0						
	145	1972	2,4	10,19	39,0	50,0	59,8	20,7						
	162	1765	2,7	9,16	38,2	50,0	58,7	20,4						
	27	10524	0,5	54,56	0,0	45,0	0,0	25,9	SK 9052.1 - 225 RP/4	495	E100-101			
	33	8682	0,6	44,96	0,0	45,0	0,0	27,3						
	37	7667	0,6	39,72	0,0	45,0	10,8	28,0						
	54	5280	0,9	27,35	11,9	45,0	31,8	28,7						
	64	4509	1	23,33	19,0	45,0	35,0	28,4						
	66	4356	1	22,53	20,0	45,0	35,6	28,5						
	74	3847	1,1	19,91	22,8	45,0	37,3	28,3						
	83	3456	1,2	17,94	24,6	45,0	38,0	28,0						
	91	3157	1,4	16,33	25,7	45,0	38,0	27,0						
	110	2605	1,7	13,45	27,4	45,0	38,0	26,5						
	125	2300	1,7	11,88	28,2	45,0	38,0	26,0						
	139	2066	1,4	10,71	28,7	45,0	38,0	25,6						
	150	1915	1,5	9,93	29,0	45,0	38,0	25,3						
	157	1824	1,4	9,4	29,2	45,0	38,0	25,1						
	183	1568	1,7	8,1	29,6	45,0	38,0	24,4						

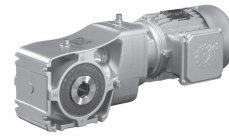
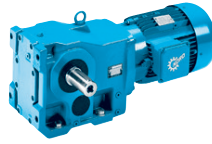
Helical-bevel gear units



P ₁ [kW]	n ₂ [min ⁻¹]	M ₂ [Nm]	f _B	i _{ges}	F _R [kN]	F _A [kN]	F _{R VL} [kN]	F _{A VL} [kN]	Type	kg	mm 		
37,0	5,5	64260	0,8	270,09	220,0	100,0	-	-	SK 9096.1/62 - 225 SP/4	2200	E112-113 E115		
	6,4	55560	0,9	233,51	220,0	100,0	-	-					
	7,1	49720	1,0	208,95	220,0	100,0	-	-					
	7,4	47720	1,0	200,57	220,0	100,0	-	-	SK 9096.1 - 225 SP/4	2060	E112-113		
	8,6	41260	1,2	173,41	220,0	100,0	-	-					
	9,6	36710	1,4	154,29	220,0	100,0	-	-					
	11	31740	1,6	133,53	220,0	100,0	-	-					
	13	28120	1,8	118,18	220,0	100,0	-	-					
	15	24310	2,1	102,18	220,0	100,0	-	-					
	17	21320	2,3	89,60	220,0	100,0	-	-					
18	19380	2,6	81,43	220,0	100,0	-	-						
21	16750	3,0	70,41	220,0	100,0	-	-						
24	14850	3,4	62,39	220,0	100,0	-	-						
12	28610	1,1	120,23	53,9	70,0	116,3	70,0	SK 9092.1 - 225 SP/4	1730	E110-111			
15	24360	1,3	102,28	65,7	70,0	128,9	70,0						
16	21820	1,5	91,60	72,2	70,0	136,0	70,0						
19	19030	1,7	80,00	78,8	70,0	143,6	70,0						
22	16420	1,9	68,87	84,5	70,0	150,3	70,0						
25	13970	2,3	58,66	88,9	70,0	155,5	70,0						
30	11840	2,7	49,75	93,2	70,0	160,0	70,0						
31	11400	2,8	47,93	94,5	70,0	160,0	70,0						
32	10950	2,9	46,02	95,3	70,0	160,0	70,0						
34	10390	2,7	43,68	95,9	70,0	160,0	70,0						
16	21560	0,9	90,50	70,2	65,0	89,1	65,0				SK 9086.1 - 225 SP/4	1160	E108-109
19	18640	1,1	78,24	80,5	65,0	97,5	65,0						
22	16080	1,2	67,50	86,9	65,0	104,3	65,0						
25	14030	1,4	58,90	91,4	65,0	109,5	65,0						
29	12000	1,7	50,30	95,5	65,0	114,4	65,0						
35	10050	2,0	42,13	98,5	65,0	118,9	65,0						
42	8454	2,1	35,44	100,4	65,0	120,0	65,0						
50	7038	2,8	29,52	98,4	65,0	120,0	65,0						
59	6019	3,3	25,21	95,4	65,0	120,0	65,0						
70	5042	4,0	21,12	91,8	65,0	120,0	65,0						
83	4241	4,5	17,77	88,1	65,0	120,0	64,3						
91	3895	4,9	16,38	86,6	65,0	120,0	63,1						
101	3510	4,3	14,70	83,7	65,0	120,0	61,0						
120	2940	4,8	12,31	80,3	65,0	120,0	58,5						
128	2766	6,1	11,60	79,6	65,0	120,0	57,9						
156	2271	5,7	9,55	75,4	65,0	120,0	54,8						
21	17030	0,8	71,50	72,0	60,0	95,0	60,0	SK 9082.1 - 225 SP/4	910	E106-107			
24	14850	0,9	62,39	78,1	60,0	95,0	60,0						
28	12700	1,0	53,28	77,6	60,0	95,0	60,0						
33	10640	1,2	44,63	76,5	60,0	95,0	60,0						
36	9901	1,3	41,54	75,9	60,0	95,0	60,0						
41	8542	1,5	35,83	74,5	60,0	95,0	60,0						
47	7452	1,7	31,27	73,0	60,0	95,0	60,0						
55	6373	2,0	26,71	71,3	60,0	95,0	58,9						
66	5339	2,4	22,37	68,9	60,0	95,0	57,0						
86	4124	3,2	17,35	65,4	60,0	95,0	54,0						
101	3482	3,7	14,61	63,1	60,0	95,0	52,2						
120	2938	2,9	12,31	59,9	60,0	95,0	49,5						
36	9765	0,8	41,11	42,1	50,0	58,4	19,0				SK 9072.1 - 225 SP/4	650	E104-105
42	8365	1,0	35,19	42,8	50,0	60,6	20,0						
51	6975	1,2	29,29	43,1	50,0	62,2	20,8						
59	6003	1,4	25,24	42,9	50,0	62,9	21,1						
66	5349	1,6	22,46	42,7	50,0	63,0	21,2						
72	4899	1,7	20,61	42,4	50,0	62,8	21,3						
81	4371	1,8	18,29	41,9	50,0	62,6	21,2						
90	3911	1,9	16,44	41,3	50,0	62,0	21,2						
96	3684	2,0	15,40	40,7	50,0	61,2	20,9						
106	3341	1,6	14,06	39,5	50,0	59,2	20,2						
119	2977	1,7	12,51	38,8	50,0	58,6	20,0						
123	2869	1,7	12,06	38,7	50,0	58,3	20,0						
130	2726	1,8	11,48	38,4	50,0	58,0	20,0						
145	2432	1,9	10,19	37,6	50,0	57,2	19,7						
162	2177	2,2	9,16	36,9	50,0	56,3	19,4						
27	12979	0,4	54,56	0,0	45,0	0,0	20,1	SK 9052.1 - 225 SP/4	510	E100-101			
33	10708	0,4	44,96	0,0	45,0	0,0	22,6						
37	9456	0,5	39,72	0,0	45,0	0,0	23,8						
54	6512	0,7	27,35	0,0	45,0	24,3	25,8						
64	5562	0,8	23,33	7,4	45,0	30,4	25,9						

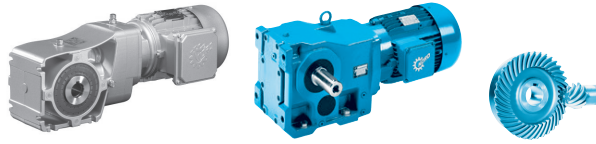
Helical-bevel gear units


37,0 kW
45,0 kW



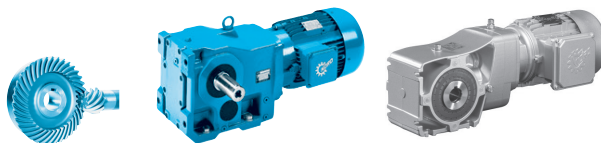
P ₁ [kW]	n ₂ [min ⁻¹]	M ₂ [Nm]	f _B	i _{ges}	F _R [kN]	F _A [kN]	F _{R VL} [kN]	F _{A VL} [kN]	Type	kg	mm 			
37,0	66	5372	0,8	22,53	10,7	45,0	31,3	26,2	SK 9052.1 - 225 SP/4	510	E100-101			
	74	4744	0,9	19,91	17,3	45,0	34,1	26,2						
	83	4262	1,0	17,94	20,6	45,0	35,9	26,2						
	91	3894	1,1	16,33	22,6	45,0	37,1	25,1						
	110	3212	1,3	13,45	25,5	45,0	38,0	24,9						
	125	2837	1,4	11,88	26,8	45,0	38,0	24,6						
	139	2549	1,1	10,71	27,6	45,0	38,0	24,4						
	150	2361	1,2	9,93	28,1	45,0	38,0	24,2						
	157	2250	1,2	9,4	28,3	45,0	38,0	24,0						
	183	1933	1,3	8,1	29,0	45,0	38,0	23,5						
45,0	7,1	60460	0,8	208,95	220,0	100,0	-	-	SK 9096.1/62 - 225 MP/4	2230	E112-113 E115			
	9,6	44650	1,1	154,29	220,0	100,0	-	-	SK 9096.1 - 225 MP/4	2100	E112-113			
	11	38600	1,3	133,53	220,0	100,0	-	-						
	13	34200	1,5	118,18	220,0	100,0	-	-						
	15	29570	1,7	102,18	220,0	100,0	-	-						
	17	25930	1,9	89,60	220,0	100,0	-	-						
	18	23560	2,1	81,43	220,0	100,0	-	-						
	21	20370	2,5	70,41	220,0	100,0	-	-						
	23	18830	2,7	65,07	220,0	100,0	-	-						
	24	18060	2,8	62,39	220,0	100,0	-	-						
	26	16280	3,1	56,26	220,0	100,0	-	-						
	28	15610	2,9	53,95	220,0	100,0	-	-						
	15	29620	1,1	102,28	50,9	70,0	113,2	70,0				SK 9092.1 - 225 MP/4	1760	E110-111
	16	26540	1,2	91,60	59,8	70,0	122,5	70,0						
	19	23150	1,4	80,00	68,9	70,0	132,4	70,0						
	22	19980	1,6	68,87	76,6	70,0	141,1	70,0						
	25	16990	1,9	58,66	82,5	70,0	147,8	70,0						
	30	14400	2,2	49,75	88,1	70,0	154,4	70,0						
	31	13870	2,3	47,93	89,8	70,0	156,6	70,0						
	32	13320	2,4	46,02	90,8	70,0	158,0	70,0						
34	12640	2,2	43,68	91,6	70,0	158,8	70,0							
36	11800	2,7	40,65	93,2	70,0	160,0	70,0							
38	11330	2,8	39,10	94,1	70,0	160,0	70,0							
44	9875	3,2	34,15	96,8	70,0	160,0	70,0							
19	22670	0,9	78,24	65,5	65,0	85,8	65,0	SK 9086.1 - 225 MP/4	1200	E108-109				
22	19560	1,0	67,50	77,6	65,0	94,9	65,0							
25	17060	1,2	58,90	84,7	65,0	101,7	65,0							
29	14590	1,4	50,30	90,2	65,0	108,1	65,0							
35	12220	1,6	42,13	95,1	65,0	113,9	65,0							
42	10280	1,8	35,44	97,4	65,0	117,9	65,0							
50	8560	2,3	29,52	95,2	65,0	120,0	65,0							
59	7320	2,7	25,21	92,6	65,0	120,0	65,0							
70	6132	3,3	21,12	89,6	65,0	120,0	65,0							
83	5158	3,7	17,77	86,1	65,0	120,0	62,9							
91	4737	4,0	16,38	84,8	65,0	120,0	61,9							
101	4268	3,5	14,70	82,0	65,0	120,0	59,8							
120	3576	3,9	12,31	78,8	65,0	120,0	57,5							
128	3365	5,1	11,60	78,3	65,0	120,0	57,1							
156	2762	4,7	9,55	74,2	65,0	120,0	54,1							
28	15450	0,8	53,28	71,9	60,0	95,0	59,9				SK 9082.1 - 225 MP/4	945	E106-107	
33	12940	1,0	44,63	71,7	60,0	95,0	59,6							
36	12040	1,1	41,54	71,5	60,0	95,0	59,3							
41	10390	1,3	35,83	70,8	60,0	95,0	58,7							
47	9064	1,4	31,27	69,8	60,0	95,0	57,8							
55	7751	1,7	26,71	68,3	60,0	95,0	56,6							
66	6493	2,0	22,37	66,5	60,0	95,0	55,1							
74	5840	2,2	20,16	65,4	60,0	95,0	54,0							
86	5015	2,6	17,35	63,7	60,0	95,0	52,6							
101	4235	3,1	14,61	61,5	60,0	95,0	50,8							
120	3573	2,4	12,31	58,5	60,0	95,0	48,3							
184	2330	3,1	8,04	53,3	60,0	95,0	44,0							
51	8483	1,0	29,29	38,9	50,0	54,5	17,9	SK 9072.1 - 225 MP/4	685	E104-105				
59	7301	1,2	25,24	39,5	50,0	56,2	18,6							
66	6506	1,3	22,46	39,6	50,0	57,1	19,0							
72	5958	1,4	20,61	39,6	50,0	57,5	19,3							
81	5316	1,5	18,29	39,4	50,0	57,8	19,5							
90	4757	1,6	16,44	39,1	50,0	58,0	19,5							
96	4481	1,7	15,40	38,7	50,0	57,1	19,4							
106	4063	1,3	14,06	37,5	50,0	55,2	18,7							

Helical-bevel gear units



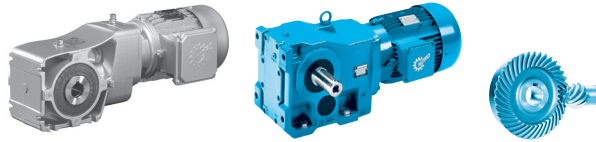
P ₁ [kW]	n ₂ [min ⁻¹]	M ₂ [Nm]	f _B	i _{ges}	F _R [kN]	F _A [kN]	F _{R VL} [kN]	F _{A VL} [kN]	Type	kg	mm 			
45,0	119	3620	1,4	12,51	37,1	49,8	55,1	18,7	SK 9072.1 - 225 MP/4	685	E104-105			
	123	3490	1,4	12,06	36,8	49,6	55,0	18,7						
	130	3316	1,5	11,48	36,7	49,3	55,0	18,7						
	145	2958	1,6	10,19	36,1	48,8	54,3	18,6						
	162	2647	1,8	9,16	35,6	48,1	53,7	18,4						
55,0	9,6	54750	0,9	154,29	220,0	100,0	-	-	SK 9096.1 - 250 WP/4	2140	E112-113			
	11	47340	1,1	133,53	220,0	100,0	-	-						
	13	41940	1,2	118,18	220,0	100,0	-	-						
	14	36260	1,4	102,18	220,0	100,0	-	-						
	17	31800	1,6	89,60	220,0	100,0	-	-						
	18	28900	1,7	81,43	220,0	100,0	-	-						
	21	24990	2,0	70,41	220,0	100,0	-	-						
	23	23090	2,2	65,07	220,0	100,0	-	-						
	24	22140	2,3	62,39	220,0	100,0	-	-						
	26	19960	2,5	56,26	216,6	100,0	-	-						
	27	19140	2,4	53,95	214,7	100,0	-	-						
	31	16960	2,9	47,79	209,5	100,0	-	-						
	14	36330	0,9	102,28	28,0	70,0	91,0	70,0				SK 9092.1 - 250 WP/4	1800	E110-111
16	32550	1,0	91,60	41,5	70,0	103,8	70,0							
19	28380	1,1	80,00	54,6	70,0	117,0	70,0							
21	24500	1,3	68,87	65,4	70,0	128,5	70,0							
25	20830	1,5	58,66	73,6	70,0	137,4	70,0							
30	17650	1,8	49,75	81,0	70,0	146,0	70,0							
31	17010	1,9	47,93	83,2	70,0	148,8	70,0							
32	16330	2,0	46,02	84,7	70,0	150,5	70,0							
34	15500	1,8	43,68	85,7	70,0	151,6	70,0							
36	14470	2,2	40,65	87,9	70,0	154,2	70,0							
38	13890	2,3	39,10	89,1	70,0	155,7	70,0							
43	12110	2,6	34,15	92,6	70,0	160,0	70,0							
50	10410	3,1	29,28	96,3	70,0	160,0	70,0							
22	23980	0,8	67,50	59,1	65,0	81,8	65,0	SK 9086.1 - 250 WP/4	1230	E108-109				
25	20920	1,0	58,90	72,7	65,0	91,0	65,0							
29	17890	1,1	50,30	82,6	65,0	99,5	65,0							
35	14990	1,3	42,13	89,3	65,0	107,1	65,0							
42	12610	1,4	35,44	92,5	65,0	112,3	65,0							
50	10500	1,9	29,52	91,3	65,0	117,9	65,0							
59	8977	2,2	25,21	89,3	65,0	120,0	65,0							
70	7520	2,7	21,12	86,7	65,0	120,0	63,6							
83	6326	3,0	17,77	83,7	65,0	120,0	61,3							
90	5809	3,3	16,38	82,7	65,0	120,0	60,5							
100	5235	2,9	14,70	79,8	65,0	120,0	58,4							
120	4385	3,2	12,31	77,0	65,0	120,0	56,3							
127	4126	4,1	11,60	76,7	65,0	120,0	56,0							
155	3387	3,8	9,55	72,8	65,0	120,0	53,1							
33	15870	0,8	44,63	65,6	60,0	95,0	54,9	SK 9082.1 - 250 WP/4	980	E106-107				
36	14770	0,9	41,54	65,9	60,0	95,0	54,9							
41	12740	1,0	35,83	65,9	60,0	95,0	54,9							
47	11120	1,2	31,27	65,7	60,0	95,0	54,5							
55	9505	1,4	26,71	64,8	60,0	95,0	53,8							
66	7963	1,6	22,37	63,7	60,0	95,0	52,8							
73	7162	1,8	20,16	62,8	60,0	95,0	51,9							
85	6150	2,1	17,35	61,3	60,0	95,0	50,8							
101	5194	2,5	14,61	59,7	60,0	95,0	49,2							
120	4382	1,9	12,31	56,7	60,0	95,0	46,9							
184	2858	2,5	8,04	52,1	60,0	95,0	43,0							
75,0	11	64330	0,8	133,53	220,0	100,0	-				-	SK 9096.1 - 280 SP/4	2300	E112-113
	13	57000	0,9	118,18	220,0	100,0	-				-			
	15	49280	1,0	102,18	220,0	100,0	-	-						
	17	43210	1,2	89,60	219,3	100,0	-	-						
	18	39270	1,3	81,43	217,1	100,0	-	-						
	21	33960	1,5	70,41	212,7	100,0	-	-						
	23	31380	1,6	65,07	210,9	100,0	-	-						
	24	30090	1,7	62,39	209,6	100,0	-	-						
	26	27130	1,8	56,26	205,8	100,0	-	-						
	28	26020	1,7	53,95	204,3	100,0	-	-						
	31	23050	2,2	47,79	200,4	100,0	-	-						
	36	19930	2,5	41,32	194,7	100,0	-	-						
	41	17480	2,9	36,24	190,0	100,0	-	-						
	45	15880	3,1	32,93	186,3	100,0	-	-						


75,0 kW
90,0 kW



P ₁ [kW]	n ₂ [min ⁻¹]	M ₂ [Nm]	f _B	i _{ges}	F _R [kN]	F _A [kN]	F _{R VL} [kN]	F _{A VL} [kN]	Type	kg	mm 				
75,0	19	38580	0,8	80,00	19,0	70,0	83,0	70,0	SK 9092.1 - 280 SP/4	1970	E110-111				
	22	33290	1,0	68,87	39,0	70,0	101,3	70,0							
	25	28310	1,1	58,66	53,5	70,0	115,3	70,0							
	30	23990	1,3	49,75	65,6	70,0	128,4	70,0							
	31	23120	1,4	47,93	68,9	70,0	132,4	70,0							
	32	22190	1,4	46,02	71,2	70,0	135,0	70,0							
	34	21060	1,3	43,68	73,1	70,0	136,7	70,0							
	36	19660	1,6	40,65	76,4	70,0	140,6	70,0							
	38	18880	1,7	39,10	78,3	70,0	142,7	70,0							
	44	16460	1,9	34,15	83,7	70,0	149,1	70,0							
	51	14150	2,3	29,28	89,2	70,0	156,0	70,0							
	60	12040	2,7	24,94	92,8	70,0	160,0	70,0							
	73	9864	3,2	20,38	96,9	70,0	160,0	70,0							
		29	24320	0,8	50,30	57,3	65,0	80,7				61,5	SK 9086.1 - 280 SP/4	1400	E108-109
		35	20370	1,0	42,13	74,8	65,0	92,6				62,2			
		42	17140	1,1	35,44	82,6	65,0	100,7				61,5			
		50	14270	1,4	29,52	83,2	65,0	108,9				61,7			
		59	12200	1,6	25,21	82,4	65,0	113,9				60,9			
		70	10220	2,0	21,12	81,0	65,0	118,5				59,6			
83		8597	2,2	17,77	78,7	65,0	120,0	57,8							
91		7894	2,4	16,38	78,2	65,0	120,0	57,4							
101		7114	2,1	14,70	75,4	65,0	120,0	55,3							
120		5959	2,3	12,31	73,3	65,0	120,0	53,7							
128		5608	3,0	11,60	73,4	65,0	120,0	53,8							
156		4603	2,8	9,55	69,9	65,0	120,0	51,1							
184		3887	3,3	8,04	67,6	65,0	120,0	49,4							
		41	17310	0,8	35,83	56,1	60,0	95,0	47,3	SK 9082.1 - 280 SP/4	1150	E106-107			
	47	15110	0,9	31,27	57,0	60,0	95,0	47,8							
	55	12920	1,0	26,71	57,6	60,0	95,0	48,2							
	66	10820	1,2	22,37	57,6	60,0	95,0	47,9							
	74	9733	1,3	20,16	57,4	60,0	95,0	47,7							
	86	8359	1,6	17,35	56,8	60,0	95,0	47,2							
	101	7059	1,8	14,61	55,8	60,0	95,0	46,2							
	120	5955	1,4	12,31	53,0	60,0	95,0	44,0							
	184	3884	1,9	8,04	49,8	60,0	95,0	41,2							
90,0	15	59130	0,8	102,18	206,2	100,0	-	-	SK 9096.1 - 280 MP/4	2400	E112-113				
	17	51860	1,0	89,60	206,5	100,0	-	-							
	18	47130	1,1	81,43	205,5	100,0	-	-							
	21	40750	1,2	70,41	202,5	100,0	-	-							
	23	37660	1,3	65,07	201,6	100,0	-	-							
	24	36110	1,4	62,39	200,6	100,0	-	-							
	26	32560	1,5	56,26	197,6	100,0	-	-							
	28	31220	1,4	53,95	196,5	100,0	-	-							
	31	27660	1,8	47,79	193,6	100,0	-	-							
	36	23910	2,1	41,32	188,7	100,0	-	-							
	41	20970	2,4	36,24	184,8	100,0	-	-							
	45	19060	2,6	32,93	181,5	100,0	-	-							
	52	16480	3,0	28,47	176,2	100,0	-	-							
	56	15230	3,3	26,31	173,5	100,0	-	-							
	22	39950	0,8	68,87	13,0	70,0	78,0	70,0	SK 9092.1 - 280 MP/4	2070	E110-111				
	25	33980	0,9	58,66	35,1	70,0	96,8	70,0							
	30	28790	1,1	49,75	52,1	70,0	113,8	70,0							
	31	27740	1,2	47,93	56,4	70,0	118,9	70,0							
	32	26630	1,2	46,02	59,6	70,0	122,3	70,0							
	36	23590	1,4	40,65	66,7	70,0	129,5	70,0							
	38	22650	1,4	39,10	69,1	70,0	132,3	70,0							
	44	19750	1,6	34,15	76,2	70,0	140,4	70,0							
	51	16980	1,9	29,28	83,3	70,0	148,9	70,0							
	60	14440	2,2	24,94	88,0	70,0	154,3	70,0							
	73	11840	2,7	20,38	93,2	70,0	160,0	70,0							
	86	10010	2,0	17,26	95,8	70,0	160,0	70,0							
	105	8202	2,4	14,10	99,2	70,0	160,0	70,0							

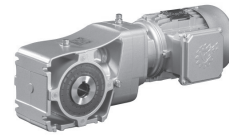
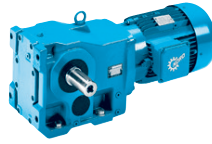
Helical-bevel gear units



P ₁ [kW]	n ₂ [min ⁻¹]	M ₂ [Nm]	f _B	i _{ges}	F _R [kN]	F _A [kN]	F _{R VL} [kN]	F _{A VL} [kN]	Type	kg	mm 				
90,0	35	24450	0,8	42,13	56,5	65,0	80,3	56,4	SK 9086.1 - 280 MP/4	1500	E108-109				
	42	20560	0,9	35,44	74,1	65,0	91,0	56,4							
	50	17120	1,2	29,52	77,3	65,0	101,6	57,6							
	59	14640	1,4	25,21	77,3	65,0	108,0	57,4							
	70	12260	1,6	21,12	76,7	65,0	113,8	56,7							
	83	10320	1,8	17,77	75,0	65,0	117,8	55,3							
	91	9473	2,0	16,38	74,9	65,0	120,0	55,2							
	101	8537	1,8	14,70	72,1	65,0	120,0	53,0							
	120	7151	2,0	12,31	70,5	65,0	120,0	51,8							
	128	6729	2,5	11,60	71,0	65,0	120,0	52,1							
	156	5524	2,4	9,55	67,8	65,0	120,0	49,7							
	184	4665	2,8	8,04	65,8	65,0	120,0	48,1							
		55	15500	0,8	26,71	52,1	60,0	95,0				44,0	SK 9082.1 - 280 MP/4	1250	E106-107
		66	12990	1,0	22,37	53,1	60,0	95,0				44,4			
		74	11680	1,1	20,16	53,5	60,0	95,0				44,5			
86		10030	1,3	17,35	53,3	60,0	95,0	44,4							
101		8470	1,5	14,61	52,9	60,0	95,0	44,0							
120		7146	1,2	12,31	50,3	60,0	95,0	41,8							
184		4661	1,5	8,04	48,0	60,0	93,7	39,7							
110		17	63250	0,8	89,60	189,5	100,0	-	-	SK 9096.1 - 315 SP/4	2500	E112-113			
	18	57490	0,9	81,43	190,0	100,0	-	-							
	21	49700	1,0	70,41	189,0	100,0	-	-							
	23	45930	1,1	65,07	189,2	100,0	-	-							
	24	44050	1,1	62,39	188,8	100,0	-	-							
	26	39710	1,3	56,26	186,8	100,0	-	-							
	28	38080	1,2	53,95	186,2	100,0	-	-							
	31	33740	1,5	47,79	184,5	100,0	-	-							
	36	29170	1,7	41,32	180,8	100,0	-	-							
	41	25580	2,0	36,24	177,9	100,0	-	-							
	45	23250	2,2	32,93	175,2	100,0	-	-							
	52	20100	2,5	28,47	170,6	100,0	-	-							
	57	18580	2,7	26,31	168,5	100,0	-	-							
	65	16060	3,1	22,75	163,6	100,0	-	-							
	77	13700	3,6	19,41	158,7	100,0	-	-							
	89	11850	4,2	16,78	153,6	100,0	-	-							
		25	41440	0,8	58,66	4,1	70,0	69,6	70,0				SK 9092.1 - 315 SP/4	2160	E110-111
		30	35120	0,9	49,75	31,0	70,0	92,9	70,0						
31		33840	0,9	47,93	37,1	70,0	99,5	70,0							
32		32490	1,0	46,02	41,7	70,0	104,0	70,0							
37		28780	1,1	40,65	52,1	70,0	113,9	70,0							
38		27630	1,2	39,10	55,5	70,0	117,5	70,0							
44		24090	1,3	34,15	65,4	70,0	128,1	70,0							
51		20720	1,5	29,28	74,8	70,0	139,1	70,0							
60		17620	1,8	24,94	81,1	70,0	146,1	70,0							
73		14440	2,2	20,38	88,0	70,0	154,3	70,0							
86		12210	1,7	17,26	91,4	70,0	158,3	70,0							
105		10000	1,9	14,10	95,8	70,0	160,0	70,0							
129		8160	2,3	11,55	99,2	70,0	160,0	70,0							
139		7561	2,4	10,68	100,3	70,0	160,0	70,0							
	50	20880	1,0	29,52	69,3	65,0	91,1	52,2	SK 9086.1 - 315 SP/4	1590	E108-109				
	59	17860	1,1	25,21	70,4	65,0	99,6	52,7							
	70	14960	1,3	21,12	70,9	65,0	107,2	52,8							
	83	12580	1,5	17,77	70,0	65,0	112,4	51,9							
	91	11560	1,6	16,38	70,5	65,0	115,5	52,2							
	101	10410	1,4	14,70	67,6	65,0	116,2	50,0							
	120	8723	1,6	12,31	66,8	65,0	120,0	49,3							
	128	8208	2,1	11,60	67,8	65,0	120,0	49,9							
	156	6738	1,9	9,55	64,9	65,0	120,0	47,7							
	185	5690	2,3	8,04	63,4	65,0	117,1	46,5							
		66	15840	0,8	22,37	46,9	56,2	95,0				39,7	SK 9082.1 - 315 SP/4	1340	E106-107
74		14250	0,9	20,16	47,9	57,5	95,0	40,2							
86		12230	1,1	17,35	48,6	59,2	95,0	40,7							
102		10330	1,3	14,61	48,9	59,9	95,0	40,9							
121		8716	1,0	12,31	46,7	57,1	92,4	38,9							
185		5685	1,3	8,04	45,6	56,8	89,3	37,8							

Helical-bevel gear units

132 kW
160 kW
200 kW



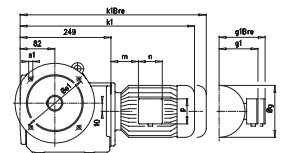
P ₁ [kW]	n ₂ [min ⁻¹]	M ₂ [Nm]	f _B	i _{ges}	F _R [kN]	F _A [kN]	F _{R VL} F _{A VL} [kN]		Type	kg	mm 				
132	21	59560	0,8	70,41	174,1	100,0	-	-	SK 9096.1 - 315 MP/4	2700	E112-113				
	23	55040	0,9	65,07	175,6	100,0	-	-							
	26	47590	1,1	56,26	174,9	100,0	-	-							
	31	40430	1,2	47,79	174,5	100,0	-	-							
	36	34960	1,4	41,32	172,0	100,0	-	-							
	41	30650	1,6	36,24	170,3	100,0	-	-							
	45	27860	1,8	32,93	168,4	100,0	-	-							
	52	24090	2,1	28,47	164,6	100,0	-	-							
	57	22260	2,2	26,31	163,0	100,0	-	-							
	65	19250	2,6	22,75	158,8	100,0	-	-							
	77	16420	3,0	19,41	154,6	100,0	-	-							
	89	14200	3,5	16,78	150,1	100,0	-	-							
		30	42090	0,8	49,75	0,8	70,0	67,1				70,0	SK 9092.1 - 315 MP/4	2360	E110-111
		31	40550	0,8	47,93	10,2	70,0	75,7				70,0			
		37	34490	0,9	40,65	33,3	70,0	95,1				70,0			
		44	28870	1,1	34,15	51,8	70,0	113,6				70,0			
		51	24830	1,3	29,28	64,5	70,0	127,6				70,0			
		60	21110	1,5	24,94	72,9	70,0	136,6				70,0			
		73	17300	1,8	20,38	81,8	70,0	146,9				70,0			
	86	14630	1,4	17,26	86,4	70,0	152,1	70,0							
	105	11990	1,6	14,10	91,9	70,0	158,9	70,0							
	129	9779	1,9	11,55	96,2	70,0	160,0	69,6							
	139	9061	2,0	10,68	97,6	70,0	160,0	68,7							
	50	25030	0,8	29,52	53,1	65,0	78,5	46,2	SK 9086.1 - 315 MP/4	1790	E108-109				
	59	21400	0,9	25,21	63,0	65,0	89,6	47,6							
	70	17930	1,1	21,12	64,7	65,0	99,4	48,6							
	84	15080	1,3	17,77	64,6	65,0	106,1	48,2							
	91	13850	1,4	16,38	65,6	65,0	109,9	48,9							
	101	12480	1,2	14,70	62,8	65,0	111,0	46,7							
	121	10450	1,3	12,31	62,8	65,0	116,1	46,5							
	128	9836	1,7	11,60	64,2	65,0	118,9	47,5							
	156	8074	1,6	9,55	61,8	65,0	114,7	45,6							
	185	6818	1,9	8,04	60,7	65,0	112,5	44,7							
160	26	57690	0,9	56,26	159,8	100,0	-	-				SK 9096.1 - 315 RP/4	2720	E112-113	
	31	49010	1,0	47,79	161,8	100,0	-	-							
	36	42370	1,2	41,32	160,9	100,0	-	-							
	41	37160	1,3	36,24	160,7	100,0	-	-							
	45	33770	1,5	32,93	159,6	100,0	-	-							
	52	29200	1,7	28,47	157,0	100,0	-	-							
	57	26980	1,9	26,31	156,0	100,0	-	-							
	65	23330	2,1	22,75	152,7	100,0	-	-							
	77	19910	2,5	19,41	149,4	100,0	-	-							
	89	17210	2,9	16,78	145,5	100,0	-	-							
		37	41800	0,8	40,65	2,3	70,0	68,2	69,9	SK 9092.1 - 315 RP/4	2390				E110-111
		44	34990	0,9	34,15	31,4	70,0	93,3	70,0						
		51	30090	1,1	29,28	49,4	70,0	111,7	70,0						
		60	25590	1,3	24,94	61,3	70,0	123,7	70,0						
		73	20970	1,5	20,38	73,3	70,0	137,0	70,0						
		86	17730	1,2	17,26	79,4	70,0	143,6	70,0						
		105	14530	1,3	14,10	86,6	70,0	152,3	68,8						
		129	11850	1,6	11,55	92,1	70,0	159,2	67,0						
		139	10980	1,6	10,68	93,9	70,0	160,0	66,2						
	59	25940	0,8	25,21	47,0	62,6	75,5	41,1	SK 9086.1 - 315 RP/4			1820	E108-109		
	70	21730	0,9	21,12	56,7	65,0	88,6	43,1							
	84	18280	1,0	17,77	57,7	65,0	97,6	43,5							
	91	16780	1,1	16,38	59,4	65,0	102,4	44,7							
	101	15130	1,0	14,70	56,7	65,0	104,0	42,5							
	121	12670	1,1	12,31	57,6	65,0	108,1	43,0							
	128	11920	1,4	11,60	59,7	65,0	111,7	44,4							
	156	9787	1,3	9,55	57,8	65,0	107,8	42,8							
	185	8265	1,6	8,04	57,4	65,0	106,7	42,4							
200	41	46510	1,1	36,24	146,9	100,0	-	-		SK 9096.1 - 315 LP/4	2920			E112-113	
	45	42270	1,2	32,93	147,1	100,0	-	-							
	52	36550	1,4	28,47	146,0	100,0	-	-							
	57	33770	1,5	26,31	146,0	100,0	-	-							
	65	29200	1,7	22,75	143,9	100,0	-	-							
	77	24920	2,0	19,41	142,0	100,0	-	-							
	89	21540	2,3	16,78	139,0	100,0	-	-							

Helical-bevel gear units

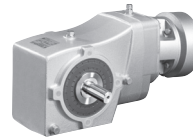
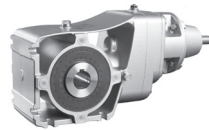
Helical-Bevel Gear Units



P_1 [kW]	n_2 [1/min]	M_2 [Nm]	f_B	i_{ge}
0,55	1,0	4985	1,7	1453,
	1,2	4013	2,1	1169,
	1,5	3340	2,5	973,
	1,9	2633	3,2	767,
1,0	5174	0,9	1398	
1,3	3931	1,2	1062,	
1,5	3447	1,4	931,	
2,0	2603	1,5	703,	
2,4	2145	2,2	579,	
3,1	1696	2,8	458,	
4,1	1291	3,7	348,	
5,4	981	4,9	265,	
6,2	847	5,7	229,	
1 R	32R1	0 Q	RR1	



SK 92072.1 SK 93072.1



	i_{ges}	n_2 $n_1 =$ 1400 min ⁻¹ [min ⁻¹]	M_{2max} $f_B = 1$ [Nm]	W			IEC $f_B \Rightarrow$ E4 - E42									
				P_{1max}		$f_B \geq 1$	$f_B \Rightarrow$ E4 - E42									
				$n_1 =$ 1400 min ⁻¹	$n_1 =$ 930 min ⁻¹	$n_1 =$ 700 min ⁻¹	IEC 56	IEC 63	IEC 71	IEC 80	IEC 90	IEC 100	IEC 112			
SK 92072.1	61,88	23	59	0,14	0,09	0,07		*	*	*						
SK 93072.1	53,78	26	52	0,14	0,09	0,07		*	*	*						
	47,67	29	46	0,14	0,09	0,07		*	*	*						
	40,98	34	59	0,21	0,14	0,11			*	*						
W	35,62	39	65	0,27	0,18	0,13			*	*						
$\frac{H}{mm}$	31,57	44	65	0,30	0,20	0,15			*	*						
\Rightarrow E116,118	27,16	52	65	0,35	0,23	0,18			*	*						
	24,07	58	79	0,48	0,32	0,24				*						
	20,80	67	81	0,57	0,38	0,29				*						
IEC	18,52	76	60	0,47	0,32	0,24				*						
$\frac{H}{mm}$	16,00	88	66	0,60	0,40	0,30				*						
\Rightarrow A12	12,78	110	59	0,68	0,45	0,34				*						
	11,11	126	65	0,86	0,57	0,43										
	9,85	142	76	1,10	0,73	0,55										
	8,67	162	74	1,10	0,73	0,55										
	7,58	185	72	1,10	0,73	0,55										
	6,67	210	68	1,10	0,73	0,55										
	5,83	240	72	1,10	0,73	0,55										
	5,17	271	67	1,10	0,73	0,55										
	4,65	301	65	1,10	0,73	0,55										
	3,97	353	68	1,10	0,73	0,55										
	3,58	391	66	1,10	0,73	0,55										

* \Rightarrow A63

kg	W	IEC...
SK 92072.1	4	4
SK 93072.1	4	4

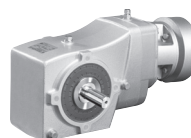
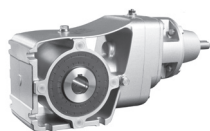


	i_{ges}	n_2 $n_1 =$ 1400 min ⁻¹ [min ⁻¹]	M_{2max} $f_B = 1$ [Nm]	W			IEC						
				P_{1max} $n_1 =$ 1400 min ⁻¹ [kW]	P_{1max} $n_1 =$ 930 min ⁻¹ [kW]	$f_B \geq 1$ $n_1 =$ 700 min ⁻¹ [kW]	$f_B \Rightarrow$ E4 - E42						
							IEC 56	IEC 63	IEC 71	IEC 80	IEC 90		
SK 92172.1	70,00	20	73	0,15	0,10	0,08		*					
SK 93172.1	63,78	22	67	0,15	0,10	0,08		*					
	56,00	25	59	0,15	0,10	0,08		*					
	46,43	30	93	0,29	0,20	0,15			*				
W	42,30	33	103	0,36	0,24	0,18			*				
$\frac{I}{mm}$	38,75	36	93	0,35	0,23	0,18			*				
\Rightarrow E116,118	37,14	38	90	0,36	0,24	0,18			*				
	35,31	40	108	0,45	0,30	0,22							
	31,00	45	108	0,51	0,34	0,26							
	28,24	50	108	0,56	0,37	0,28				*			
IEC	24,80	56	120	0,71	0,47	0,35				*			
$\frac{I}{mm}$	20,67	68	104	0,74	0,49	0,37				*			
\Rightarrow A12	15,23	92	93	0,90	0,59	0,45							
	13,87	101	108	1,14	0,76	0,57							
	12,34	114	108	1,28	0,85	0,64							
	12,18	115	114	1,37	0,91	0,69							
	10,83	129	113	1,50	1,00	0,75							
	10,15	138	95	1,37	0,91	0,69							
	9,49	148	107	1,50	1,00	0,75							
	9,03	155	94	1,50	1,00	0,75							
	8,33	168	115	1,50	1,00	0,75							
	7,83	179	111	1,50	1,00	0,75							
	6,94	202	110	1,50	1,00	0,75							
	6,53	214	93	1,50	1,00	0,75							
	5,77	243	92	1,50	1,00	0,75							
	5,26	266	107	1,50	1,00	0,75							
	4,89	286	107	1,50	1,00	0,75							
	4,30	326	106	1,50	1,00	0,75							
	3,85	364	89	1,50	1,00	0,75							
	3,58	391	88	1,50	1,00	0,75							

* \Rightarrow A63

kg	W	IEC...
SK 92172.1	7	7
SK 93172.1	7	7

SK 92372.1 SK 93372.1



	i_{ges}	n_2 $n_1 =$ 1400 min ⁻¹ [min ⁻¹]	M_{2max} $f_B = 1$ [Nm]	W			IEC $f_B \Rightarrow$ E4 - E42									
				P_{1max}		$f_B \geq 1$	$f_B \Rightarrow$ E4 - E42									
				$n_1 =$ 1400 min ⁻¹	$n_1 =$ 930 min ⁻¹	$n_1 =$ 700 min ⁻¹	IEC 63	IEC 71	IEC 80	IEC 90	IEC 100	IEC 110	IEC 132			
SK 92372.1	55,49	25	158	0,42	0,28	0,21			*	*						
SK 93372.1	49,46	28	141	0,42	0,28	0,21			*	*						
	46,64	30	184	0,58	0,38	0,29			*	*						
	41,46	34	184	0,65	0,43	0,33			*	*						
W	36,80	38	184	0,73	0,49	0,37			*	*						
$\frac{H}{mm}$	32,80	43	198	0,89	0,59	0,44				*						
\Rightarrow E117,119	28,11	50	184	0,96	0,64	0,48				*						
	25,06	56	219	1,28	0,85	0,64				*						
	22,49	62	184	1,20	0,80	0,60				*						
	20,04	70	219	1,60	1,06	0,80										
IEC	18,33	76	183	1,46	0,97	0,73				*						
$\frac{H}{mm}$	15,84	88	184	1,70	1,13	0,85										
\Rightarrow A12	14,12	99	218	2,26	1,50	1,13										
	12,56	112	184	2,15	1,43	1,07						*				
	11,20	125	218	2,85	1,90	1,43						*				
	10,33	136	220	3,00	1,99	1,50										
	10,22	137	184	2,64	1,75	1,32										
	9,11	154	218	3,00	1,99	1,50										
	8,19	171	208	3,00	1,99	1,50										
	7,01	200	201	3,00	1,99	1,50										
	6,67	210	205	3,00	1,99	1,50										
	5,83	240	189	3,00	1,99	1,50										
	5,13	273	185	3,00	1,99	1,50										
	4,31	325	186	3,00	1,99	1,50										
	3,72	376	181	3,00	1,99	1,50										

* \Rightarrow A63

kg	W	IEC 63	IEC 71	IEC 80	IEC 90	IEC 100	IEC 112
SK 92372.1	11	10	10	10	10	11	11
SK 93372.1	11	10	10	10	10	11	11

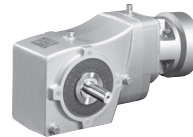
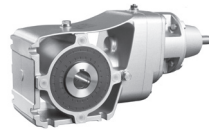


	i_{ges}	n_2 $n_1 =$ 1400 min ⁻¹ [min ⁻¹]	M_{2max} $f_B = 1$ [Nm]	W			IEC $f_B \Rightarrow$ E4 - E42									
				P_{1max} $n_1 =$ 1400 min ⁻¹ [kW]	P_{1max} $n_1 =$ 930 min ⁻¹ [kW]	$f_B \geq 1$ $n_1 =$ 700 min ⁻¹ [kW]	IEC 63	IEC 71	IEC 80	IEC 90	IEC 100	IEC 112	IEC 132			
SK 92672.1	48,56	29	318	0,96	0,64	0,48				*						
SK 93672.1	43,28	32	306	1,04	0,69	0,52				*						
	37,82	37	318	1,23	0,82	0,62				*						
	33,71	42	363	1,58	1,05	0,79										
W	30,67	46	318	1,52	1,01	0,76										
$\frac{H}{mm}$	27,33	51	364	1,95	1,30	0,98										
	24,88	56	363	2,14	1,42	1,07				*	*					
\Rightarrow E117,119	20,00	70	311	2,28	1,51	1,14										
	18,21	77	349	2,81	1,87	1,40				*	*					
	17,46	80	317	2,66	1,77	1,33				*	*					
IEC	15,56	90	363	3,42	2,27	1,71					*	*				
$\frac{H}{mm}$	14,40	97	317	3,23	2,14	1,61						*	*			
	12,84	109	363	4,14	2,75	2,07										
\Rightarrow A12	11,39	123	361	4,65	3,09	2,32										
	10,16	138	363	5,24	3,48	2,62										
	9,39	149	355	5,54	3,68	2,77										
	8,33	168	350	6,16	4,09	3,08										
	7,44	188	349	6,88	4,57	3,44										
	6,68	210	317	6,96	4,62	3,48									*	
	5,64	248	310	8,06	5,35	4,03									*	
	4,36	321	315	9,20	6,11	4,60										

* \Rightarrow A63

$\frac{kg}{kg}$	W	IEC 63	IEC 71	IEC 80	IEC 90	IEC 100	IEC 112	IEC 132
SK 92672.1	24	23	23	23	23	24	24	26
SK 93672.1	24	23	23	23	23	24	24	26

SK 92772.1 SK 93772.1



	i_{ges}	n_2 $n_1 =$ 1400 min ⁻¹ [min ⁻¹]	M_{2max} $f_B = 1$ [Nm]	W			IEC $f_B \Rightarrow$ E4 - E42									
				P_{1max} $n_1 =$ 1400 min ⁻¹ [kW]	$n_1 =$ 930 min ⁻¹ [kW]	$f_B \geq 1$ $n_1 =$ 700 min ⁻¹ [kW]	IEC 63	IEC 71	IEC 80	IEC 90	IEC 100	IEC 112	IEC 132			
SK 92772.1	66,96	21	489	1,07	0,71	0,54				*						
SK 93772.1	59,68	23	436	1,07	0,71	0,54				*						
	52,64	27	578	1,61	1,07	0,80										
W	46,92	30	515	1,61	1,07	0,80										
	43,44	32	630	2,13	1,41	1,06										
$\frac{H}{mm}$	39,32	36	630	2,35	1,56	1,17					*	*				
\Rightarrow E117, 119	35,04	40	660	2,76	1,83	1,38					*	*				
	31,85	44	630	2,90	1,93	1,45					*	*	*			
	28,38	49	605	3,13	2,08	1,56					*	*	*			
IEC	27,65	51	630	3,34	2,22	1,67										
$\frac{H}{mm}$	25,34	55	630	3,64	2,42	1,82							*	*		
\Rightarrow A12	24,64	57	655	3,90	2,59	1,95										
	22,59	62	650	4,22	2,80	2,11										*
	21,14	66	630	4,37	2,90	2,18										*
	19,17	73	630	4,82	3,20	2,41										*
	18,84	74	640	4,98	3,31	2,49										*
	17,08	82	645	5,54	3,68	2,77										*
	15,42	91	631	6,00	3,99	3,00										*
	13,79	102	605	6,43	4,27	3,22										*
	12,50	112	596	6,99	4,64	3,50										*
	11,28	124	575	7,47	4,96	3,74										*
	9,81	143	579	8,65	5,75	4,33										*
	8,85	158	555	9,19	6,11	4,60										*
	7,18	195	546	9,20	6,11	4,60										
	6,39	219	493	9,20	6,11	4,60										
	5,12	273	505	9,20	6,11	4,60										
	4,17	336	496	9,20	6,11	4,60										

* \Rightarrow A63

Helical-bevel
gear units

$\frac{kg}{kg}$	W	IEC 63	IEC 71	IEC 80	IEC 90	IEC 100	IEC 112	IEC 132
SK 92772.1	42	40	40	44	44	48	48	57
SK 93772.1	42	40	40	44	44	48	48	57

SK 9017.1 SK 9016.1



	i_{ges}	n_2 $n_1 =$ 1400 min ⁻¹	M_{2max} $f_B = 1$	W			IEC						
				P_{1max} $n_1 =$ 1400 min ⁻¹	$n_1 =$ 930 min ⁻¹	$f_B \geq 1$ $n_1 =$ 700 min ⁻¹	$f_B \Rightarrow$ E4 - E42						
	[min ⁻¹]	[Nm]	[kW]	[kW]	[kW]	IEC 63	IEC 71						
SK 9017.1	1412,69	0,99	610	0,06	0,04	0,03	*	*					
W	1256,07	1,1	610	0,07	0,05	0,04	*	*					
mm	629,56	2,2	610	0,14	0,09	0,07	*	*					
mm	558,25	2,5	610	0,16	0,11	0,08	*	*					
\Rightarrow E120	493,12	2,8	610	0,18	0,12	0,09	*	*					
	367,33	3,8	610	0,24	0,16	0,12		*					
IEC	267,99	5,2	610	0,33	0,22	0,17		*					
mm	235,64	5,9	610	0,37	0,24	0,19							
mm	177,89	7,9	570	0,37	0,24	0,19							
\Rightarrow A12	134,32	10	430	0,37	0,24	0,19							
							IEC 63	IEC 71	IEC 80	IEC 90	IEC 100	IEC 112	
SK 9016.1	277,84	5,0	590	0,31	0,20	0,15							
	234,64	6,0	590	0,37	0,24	0,19							
	205,93	6,8	610	0,43	0,29	0,22							
W	183,10	7,6	610	0,49	0,32	0,24			*				
mm	149,81	9,3	610	0,59	0,39	0,30			*				
mm	142,41	9,8	610	0,63	0,41	0,31			*				
\Rightarrow E120	116,52	12	610	0,77	0,51	0,38							
	91,77	15	500	0,79	0,52	0,39			*				
IEC	81,38	17	600	1,07	0,70	0,53			*				
mm	71,88	19	600	1,19	0,79	0,60			*				
mm	63,97	22	610	1,41	0,93	0,70				*	*		
\Rightarrow A12	52,44	27	610	1,72	1,14	0,86				*	*		
	46,11	30	610	1,92	1,26	0,96				*	*		
	40,92	34	600	2,14	1,41	1,07				*	*		
	34,81	40	600	2,51	1,66	1,26				*	*		
	30,52	46	600	2,89	1,91	1,45				*	*		
	26,29	53	600	3,33	2,20	1,66					*		
	23,11	61	520	3,32	2,19	1,66						*	
	20,51	68	580	4,00	2,64	2,00							
	17,45	80	540	4,00	2,64	2,00							
	15,10	93	520	4,00	2,64	2,00							
	12,51	112	520	4,00	2,64	2,00							

* \Rightarrow A63

kg	W	IEC 63	IEC 71	IEC 80	IEC 90	IEC 100	IEC 112
SK 9017.1	40	41	42	-	-	-	-
SK 9016.1	35	36	37	40	40	47	47

Helical-bevel gear units



	i_{ges}	n_2 $n_1 =$ 1400 min ⁻¹	M_{2max} $f_B = 1$	W			IEC $f_B \Rightarrow$ E4 - E42							
				P_{1max} $n_1 =$ 1400 min ⁻¹	$n_1 =$ 930 min ⁻¹	$f_B \geq 1$ $n_1 =$ 700 min ⁻¹	IEC 63	IEC 71						
		[min ⁻¹]	[Nm]	[kW]	[kW]	[kW]								
SK 9023.1	1899,26	0,74	860	0,07	0,04	0,03	*	*						
W	1504,07	0,93	860	0,08	0,06	0,04	*	*						
mm	1120,38	1,2	860	0,11	0,07	0,05	*	*						
mm	951,94	1,5	860	0,14	0,09	0,07	*	*						
\Rightarrow E120	753,86	1,9	860	0,17	0,11	0,09	*	*						
	678,31	2,1	860	0,19	0,12	0,09		*						
IEC	561,55	2,5	860	0,23	0,15	0,11		*						
mm	472,43	3,0	860	0,27	0,18	0,14		*						
mm	339,41	4,1	860	0,37	0,24	0,18								
\Rightarrow A12	297,67	4,7	860	0,37	0,24	0,19								
	228,47	6,1	650	0,37	0,24	0,19								

	i_{ges}	n_2 $n_1 =$ 1400 min ⁻¹	M_{2max} $f_B = 1$	W			IEC $f_B \Rightarrow$ E4 - E42							
				P_{1max} $n_1 =$ 1400 min ⁻¹	$n_1 =$ 930 min ⁻¹	$f_B \geq 1$ $n_1 =$ 700 min ⁻¹	IEC 63	IEC 71	IEC 80	IEC 90	IEC 100	IEC 112		
		[min ⁻¹]	[Nm]	[kW]	[kW]	[kW]								
SK 9022.1	276,86	5,1	800	0,43	0,28	0,21								
W	232,92	6,0	700	0,44	0,29	0,22								
mm	219,25	6,4	860	0,58	0,38	0,29								
mm	184,46	7,6	860	0,68	0,45	0,34			*					
\Rightarrow E120	169,81	8,2	860	0,74	0,49	0,37			*					
	137,57	10	860	0,90	0,59	0,45			*					
	115,74	12	860	1,08	0,71	0,54			*					
IEC	98,88	14	860	1,26	0,83	0,63			*					
mm	85,11	16	860	1,44	0,95	0,72			*					
mm	78,89	18	860	1,62	1,07	0,81				*	*			
\Rightarrow A12	66,42	21	860	1,89	1,25	0,95				*	*			
	58,25	24	860	2,16	1,43	1,08				*	*			
	52,02	27	860	2,43	1,60	1,22				*	*			
	49,01	29	860	2,61	1,72	1,31				*	*			
	44,71	31	860	2,79	1,84	1,40				*	*			
	39,77	35	860	3,15	2,08	1,58					*			
	33,26	42	860	3,78	2,50	1,89					*			
	31,38	45	820	3,86	2,55	1,93					*			
	29,20	48	860	4,00	2,64	2,00								
	26,07	54	860	4,00	2,64	2,00								
	24,56	57	860	4,00	2,64	2,00								
	22,41	62	780	4,00	2,64	2,00								
	19,93	70	760	4,00	2,64	2,00								
	17,52	80	720	4,00	2,64	2,00								
	16,30	86	620	4,00	2,64	2,00								
	14,56	96	580	4,00	2,64	2,00								
	12,51	112	540	4,00	2,64	2,00								
	11,13	126	520	4,00	2,64	2,00								
	8,78	159	480	4,00	2,64	2,00								

* \Rightarrow A63

Helical-bevel gear units

kg	W	IEC 63	IEC 71	IEC 80	IEC 90	IEC 100	IEC 112
SK 9023.1	47	48	49	-	-	-	-
SK 9022.1	42	43	44	47	47	54	54

SK 9033.1 SK 9032.1



	i_{ges}	n_2 $n_1 =$ 1400 min ⁻¹ [min ⁻¹]	M_{2max} $f_B = 1$ [Nm]	W			IEC								
				P_{1max} $n_1 =$ 1400 min ⁻¹ [kW]	P_{1max} $n_1 =$ 930 min ⁻¹ [kW]	$f_B \geq 1$ $n_1 =$ 700 min ⁻¹ [kW]	$f_B \Rightarrow$ E4 - E42								
							IEC 63	IEC 71	IEC 80	IEC 90					
SK 9033.1	3635,95	0,39	1550	0,06	0,04	0,03	*	*							
	2428,14	0,58	1550	0,09	0,06	0,05	*	*							
W	1822,00	0,77	1550	0,12	0,08	0,06	*	*							
$\begin{array}{ c } \hline \text{mm} \\ \hline \end{array}$	1361,37	1,0	1550	0,16	0,11	0,08	*	*							
$\begin{array}{ c } \hline \text{mm} \\ \hline \end{array}$	1149,80	1,2	1550	0,19	0,13	0,10	*	*							
\Rightarrow E120	873,65	1,6	1550	0,26	0,17	0,13		*							
	691,55	2,0	1550	0,32	0,21	0,16		*							
IEC	539,10	2,6	1550	0,42	0,28	0,21									
$\begin{array}{ c } \hline \text{mm} \\ \hline \end{array}$	398,77	3,5	1550	0,57	0,37	0,28			*	*					
$\begin{array}{ c } \hline \text{mm} \\ \hline \end{array}$	352,25	4,0	1550	0,65	0,43	0,32			*	*					
\Rightarrow A12	267,65	5,2	1550	0,84	0,56	0,42				*	*				
	214,83	6,5	1550	1,05	0,70	0,53					*	*			
	167,45	8,4	1550	1,10	0,73	0,55						*	*		

	i_{ges}	n_2 $n_1 =$ 1400 min ⁻¹ [min ⁻¹]	M_{2max} $f_B = 1$ [Nm]	P_{1max} $n_1 =$ 1400 min ⁻¹ [kW]	P_{1max} $n_1 =$ 930 min ⁻¹ [kW]	$f_B \geq 1$ $n_1 =$ 700 min ⁻¹ [kW]	IEC								
							IEC 63	IEC 71	IEC 80	IEC 90	IEC 100	IEC 112	IEC 132		
SK 9032.1	295,85	4,7	1550	0,76	0,50	0,38									
	249,72	5,6	1550	0,91	0,60	0,45				*					
	233,92	6,0	1550	0,97	0,64	0,49				*					
W	197,45	7,1	1550	1,15	0,76	0,58				*					
$\begin{array}{ c } \hline \text{mm} \\ \hline \end{array}$	188,06	7,4	1550	1,20	0,79	0,60				*	*	*			
$\begin{array}{ c } \hline \text{mm} \\ \hline \end{array}$	158,74	8,8	1550	1,43	0,94	0,71				*	*	*			
\Rightarrow E121	139,44	10	1550	1,62	1,07	0,81									
	117,70	12	1550	1,95	1,29	0,97									
IEC	110,77	13	1550	2,11	1,39	1,05				*	*				
$\begin{array}{ c } \hline \text{mm} \\ \hline \end{array}$	93,50	15	1550	2,43	1,61	1,22				*	*				
$\begin{array}{ c } \hline \text{mm} \\ \hline \end{array}$	84,17	17	1550	2,76	1,82	1,38				*	*				
\Rightarrow A12	75,91	18	1550	2,92	1,93	1,46				*	*				
	64,08	22	1550	3,57	2,36	1,79					*				
	59,17	24	1550	3,90	2,57	1,95					*			*	
	49,94	28	1550	4,54	3,00	2,27								*	
	47,70	29	1550	4,71	3,11	2,35								*	
	40,36	35	1550	5,68	3,75	2,84								*	
	38,05	37	1550	6,01	3,96	3,00									
	35,61	39	1550	6,33	4,18	3,16									
	29,66	47	1500	7,38	4,87	3,69								*	
	25,03	56	1500	8,80	5,81	4,40								*	
	23,91	59	1550	9,20	6,07	4,60									
	20,23	69	1500	9,20	6,07	4,60									
	17,08	82	1450	9,20	6,07	4,60									
	16,04	87	1400	9,20	6,07	4,60									
	13,49	104	1350	9,20	6,07	4,60									
	12,68	110	1000	9,20	6,07	4,60									
	10,73	130	900	9,20	6,07	4,60									
	8,48	165	880	9,20	6,07	4,60									

* \Rightarrow A63

$\begin{array}{ c } \hline \text{kg} \\ \hline \end{array}$	W	IEC 63	IEC 71	IEC 80	IEC 90	IEC 100	IEC 112	IEC 132
SK 9033.1	70	71	72	75	75	-	-	-
SK 9032.1	68	-	66	70	70	74	74	83

Helical-bevel gear units

SK 9053.1 SK 9052.1



	i_{ges}	n_2 $n_1 =$ 1400 min ⁻¹ [min ⁻¹]	M_{2max} $f_B = 1$ [Nm]	W			IEC											
				P_{1max} $n_1 =$ 1400 min ⁻¹ [kW]	$f_B \geq 1$ $n_1 =$ 930 min ⁻¹ [kW]	$f_B \geq 1$ $n_1 =$ 700 min ⁻¹ [kW]	$f_B \Rightarrow$ E4 - E42											
							IEC 71	IEC 80	IEC 90	IEC 100	IEC 112							
SK 9053.1	3735,92	0,37	4800	0,19	0,12	0,09	*	*	*									
	2953,98	0,47	4800	0,24	0,16	0,12		*	*									
W	2023,49	0,69	4800	0,35	0,23	0,17		*	*									
$\frac{H}{mm}$	1872,50	0,75	4800	0,38	0,25	0,19		*	*									
$\frac{H}{mm}$	1398,80	1,00	4800	0,50	0,33	0,25		*	*	*	*							
\Rightarrow E121	1062,85	1,3	4800	0,65	0,43	0,33		*	*	*	*							
	931,87	1,5	4800	0,75	0,50	0,38			*									
IEC	703,83	2,0	4000	0,84	0,55	0,42			*									
$\frac{H}{mm}$	579,95	2,4	4800	1,21	0,80	0,60			*									
$\frac{H}{mm}$	458,57	3,1	4800	1,56	1,03	0,78												
\Rightarrow A12	348,91	4,0	4800	2,01	1,33	1,01					*	*						
	265,11	5,3	4800	2,66	1,76	1,33					*	*						
	229,07	6,1	4800	3,07	2,02	1,53						*						
	164,99	8,5	4800	4,00	2,64	2,00												
SK 9052.1	289,61	4,8	4800	2,41	1,59	1,21												
	247,06	5,7	4800	2,86	1,89	1,43				*	*							
W	198,38	7,1	4800	3,57	2,36	1,78				*	*							
$\frac{H}{mm}$	169,24	8,3	4800	4,17	2,75	2,09				*	*							
$\frac{H}{mm}$	145,16	9,6	3600	3,62	2,39	1,81				*	*							
\Rightarrow E122	120,03	12	4800	6,03	3,98	3,02												
	102,40	14	4800	7,04	4,64	3,52												
IEC, AI	88,17	16	4800	8,04	5,31	4,02						*	*					
$\frac{H}{mm}$	72,24	19	4800	9,55	6,30	4,77						*	*					
$\frac{H}{mm}$	62,42	22	4800	11,06	7,30	5,53						*	*					
\Rightarrow A12	54,56	26	4800	13,07	8,62	6,53						*	*	*	*			
	44,96	31	4800	15,58	10,28	7,79						*	*	*	*			
	39,72	35	4800	17,59	11,61	8,80						*	*	*	*			
	36,21	39	4800	19,60	12,94	9,80						*	*	*	*			
	31,28	45	4800	22,00	14,52	11,00						*	*	*	*			
	27,35	51	4600	22,00	14,52	11,00						*	*	*	*			
	23,33	60	4300	22,00	14,52	11,00						*	*	*	*			
	22,53	62	4300	22,00	14,52	11,00						*	*	*	*			
	19,91	70	4300	22,00	14,52	11,00						*	*	*	*			
	17,94	78	4300	22,00	14,52	11,00						*	*	*	*			
	16,33	86	4300	22,00	14,52	11,00						*	*	*	*			
	13,45	104	4300	22,00	14,52	11,00						*	*	*	*			
	11,88	118	3900	22,00	14,52	11,00						*	*	*	*			
	10,71	131	2900	22,00	14,52	11,00						*	*	*	*			
	9,93	141	2800	22,00	14,52	11,00						*	*	*	*			
	9,40	149	2600	22,00	14,52	11,00						*	*	*	*			
	8,10	173	2600	22,00	14,52	11,00						*	*	*	*			

* \Rightarrow A63

kg	W	IEC 71	IEC 80	IEC 90	IEC 100	IEC 112	IEC 132	AI 160	AI 180
SK 9053.1	208	206	210	210	214	214	-	-	-
SK 9052.1	200	-	-	195	202	202	216	215	215

Helical-bevel gear units



	i_{ges}	n_2 $n_1 = 1400 \text{ min}^{-1}$ [min ⁻¹]	M_{2max} $f_B = 1$ [Nm]	W			IEC $f_B \Rightarrow$ E4 - E42											
				P_{1max} $n_1 = 1400 \text{ min}^{-1}$ [kW]	P_{1max} $n_1 = 930 \text{ min}^{-1}$ [kW]	$f_B \geq 1$ $n_1 = 700 \text{ min}^{-1}$ [kW]	IEC											
							71	80	90	100	112	132						
SK 9072.1/32	4512,24	0,31	8500	0,32	0,21	0,16		*	*									
	4039,53	0,35	8500	0,35	0,23	0,18		*	*									
W	3251,68	0,43	8500	0,42	0,28	0,21		*	*									
$\begin{array}{ c } \hline W \\ \hline \end{array}$ mm	2320,58	0,60	8500	0,57	0,38	0,29		*	*									
\Rightarrow E121	1912,84	0,73	8500	0,69	0,46	0,34		*	*	*	*							
	1453,44	0,96	8500	0,85	0,56	0,43				*	*	*	*					
	1169,97	1,2	8500	1,07	0,70	0,53				*	*	*	*					
IEC	973,69	1,4	8500	1,25	0,82	0,62				*	*	*	*					
$\begin{array}{ c } \hline IEC \\ \hline \end{array}$ mm	767,55	1,8	8500	1,60	1,06	0,80				*	*	*	*					
\Rightarrow A12	598,27	2,3	8500	2,05	1,35	1,02				*	*	*	*					
	473,22	3,0	8500	2,67	1,76	1,34				*	*	*	*					
	385,88	3,6	8500	3,20	2,11	1,60					*	*	*					
	311,10	4,5	8500	4,00	2,64	2,00						*	*					

	i_{ges}	n_2 $n_1 = 1400 \text{ min}^{-1}$ [min ⁻¹]	M_{2max} $f_B = 1$ [Nm]	P_{1max} $n_1 = 1400 \text{ min}^{-1}$ [kW]	P_{1max} $n_1 = 930 \text{ min}^{-1}$ [kW]	$f_B \geq 1$ $n_1 = 700 \text{ min}^{-1}$ [kW]	IEC, AI											
							71	80	90	100	112	132	160					
SK 9072.1/42	269,39	5,2	8500	4,63	3,05	2,31						*	*					
	196,12	7,1	7400	5,50	3,63	2,75						*	*					
W	156,70	8,9	6400	5,96	3,94	2,98						*	*					
$\begin{array}{ c } \hline W \\ \hline \end{array}$ mm	134,14	10	6200	6,49	4,28	3,25						*	*					
\Rightarrow E122																		

	i_{ges}	n_2 $n_1 = 1400 \text{ min}^{-1}$ [min ⁻¹]	M_{2max} $f_B = 1$ [Nm]	P_{1max} $n_1 = 1400 \text{ min}^{-1}$ [kW]	P_{1max} $n_1 = 930 \text{ min}^{-1}$ [kW]	$f_B \geq 1$ $n_1 = 700 \text{ min}^{-1}$ [kW]	IEC, AI											
							71	80	90	100	112	132	160	180	200	225		
SK 9072.1	245,76	5,7	8500	5,07	3,35	2,54						*						
	206,84	6,8	8500	6,05	3,99	3,03						*						
W	186,86	7,5	8500	6,68	4,41	3,34						*	*	*				
$\begin{array}{ c } \hline W \\ \hline \end{array}$ mm	157,27	8,9	8500	7,92	5,23	3,96						*	*	*				
$\begin{array}{ c } \hline W \\ \hline \end{array}$ mm	136,88	10	6700	7,02	4,63	3,51						*						
\Rightarrow E123	110,18	13	8500	11,57	7,64	5,79						*						
	91,47	15	8500	13,35	8,81	6,68						*	*					
IEC, AI	79,69	18	8500	16,02	10,57	8,01						*	*					
$\begin{array}{ c } \hline IEC, AI \\ \hline \end{array}$ mm	70,22	20	8500	17,80	11,75	8,90						*	*	*	*			
$\begin{array}{ c } \hline IEC, AI \\ \hline \end{array}$ mm	58,44	24	8500	21,36	14,10	10,68						*	*	*	*			
\Rightarrow A12	50,35	28	8200	24,04	15,87	12,02						*	*	*	*			
	44,81	31	7700	24,99	16,50	12,50						*	*	*	*			
	41,11	34	7700	27,41	18,09	13,71						*	*	*	*			
	35,19	40	8500	35,60	23,50	17,80						*	*	*	*			
	29,29	48	8500	42,72	28,20	21,36						*	*	*	*			
	25,24	55	8500	45,00	29,70	22,50						*	*	*	*			
	22,46	62	8500	45,00	29,70	22,50						*	*	*	*			
	20,61	68	8500	45,00	29,70	22,50						*	*	*	*			
	18,29	77	7800	45,00	29,70	22,50						*	*	*	*			
	16,44	85	7500	45,00	29,70	22,50						*	*	*	*			
	15,40	91	7500	45,00	29,70	22,50						*	*	*	*			
	14,06	100	5200	45,00	29,70	22,50						*	*	*	*			
	12,51	112	5000	45,00	29,70	22,50						*	*	*	*			
	12,06	116	5000	45,00	29,70	22,50						*	*	*	*			
	11,48	122	5000	45,00	29,70	22,50						*	*	*	*			
	10,19	137	4700	45,00	29,70	22,50						*	*	*	*			
	9,16	153	4700	45,00	29,70	22,50						*	*	*	*			

$\begin{array}{ c } \hline kg \\ \hline \end{array}$	W	IEC 71	IEC 80	IEC 90	IEC 100	IEC 112	IEC 132	AI 160	AI 180	AI 200	AI 225
SK 9072.1/32	364	362	366	366	370	370	379	-	-	-	-
SK 9072.1/42	391	-	-	386	407	407	417	416	-	-	-
SK 9072.1	360	-	-	-	348	348	361	375	375	386	403

Helical-bevel gear units

SK 9082.1/42 SK 9082.1/52 SK 9082.1



	i_{ges}	n_2 $n_1 =$ 1400 min ⁻¹	M_{2max} $f_B = 1$	W			IEC															
				P_{1max}	$f_B \geq 1$	$f_B \Rightarrow$ E4 - E42																
							$n_1 =$ 1400 min ⁻¹	$n_1 =$ 930 min ⁻¹	$n_1 =$ 700 min ⁻¹	IEC 90	IEC 100	IEC 112	IEC 132	AI 160								
[min ⁻¹]	[Nm]	[kW]	[kW]	[kW]																		
SK 9082.1/42	4671,14	0,30	13000	0,45	0,30	0,22	*	*	*													
	3341,45	0,42	13000	0,61	0,40	0,31	*	*	*													
	W	2682,59	0,52	13000	0,75	0,49	0,37	*	*	*												
	$\frac{W}{mm}$	2044,65	0,68	13000	0,93	0,61	0,46	*	*	*	*											
	\Rightarrow E122	1812,59	0,77	13000	1,05	0,69	0,52	*	*	*	*	*										
		1467,80	0,95	13000	1,29	0,85	0,65	*	*	*	*	*										
		1017,77	1,4	13000	1,91	1,26	0,95	*	*	*	*	*										
		845,38	1,7	13000	2,31	1,53	1,16	*	*	*	*	*										
	IEC, AI	704,48	2,0	13000	2,72	1,80	1,36	*	*	*	*	*										
	$\frac{IEC, AI}{mm}$	603,37	2,3	13000	3,13	2,07	1,57	*	*	*	*	*										
\Rightarrow A12	443,41	3,2	13000	4,36	2,87	2,18	*	*	*	*	*											
	379,59	3,7	13000	5,04	3,32	2,52	*	*	*	*	*											
	285,05	4,9	13000	6,67	4,40	3,34	*	*	*	*	*											
SK 9082.1/52	245,62	5,7	13000	7,76	5,12	3,88																
	W	182,09	7,7	13000	10,48	6,92	5,24															
	$\frac{W}{mm}$	146,19	9,6	13000	13,07	8,62	6,53															
	\Rightarrow E122	123,13	11	12000	13,82	9,12	6,91															
	IEC, AI																					
$\frac{IEC, AI}{mm}$																						
\Rightarrow A12																						
SK 9082.1	296,80	4,7	12600	6,20	4,09	3,10																
	W	244,32	5,7	13000	7,76	5,12	3,88															
	$\frac{W}{mm}$	148,76	9,4	13000	12,80	8,45	6,40															
	$\frac{W}{mm}$	122,46	11	13000	14,97	9,88	7,49															
	\Rightarrow E124	116,45	12	13000	16,34	10,78	8,17															
		95,86	15	13000	20,42	13,48	10,21															
		82,88	17	13000	23,14	15,27	11,57															
		71,50	20	13000	27,23	17,97	13,61															
		62,39	22	13000	29,95	19,77	14,97															
		53,28	26	13000	35,39	23,36	17,70															
	\Rightarrow A12	44,63	31	13000	42,20	27,85	21,10															
		41,54	34	13000	46,28	30,55	23,14															
		35,83	39	13000	53,09	35,04	26,54															
		31,27	45	13000	61,26	40,43	30,63															
		26,71	52	13000	70,79	46,72	35,39															
		22,37	63	13000	85,76	56,60	42,88															
		20,16	69	13000	90,00	59,40	45,00															
		17,35	81	13000	90,00	59,40	45,00															
		14,61	96	13000	90,00	59,40	45,00															
		12,31	114	8400	90,00	59,40	45,00															
	8,04	174	7200	90,00	59,40	45,00																

* \Rightarrow A63

kg	W	IEC 90	IEC 100	IEC 112	IEC 132	AI 160	AI 180	AI 200	AI 225	AI 250	AI 280	AI 315
SK 9082.1/42	651	646	653	653	667	666	-	-	-	-	-	-
SK 9082.1/52	676	-	678	678	692	691	691	-	-	-	-	-
SK 9082.1	695	-	-	-	621	635	635	646	663	725	725	779

Helical-bevel gear units



	i_{ges}	n_2 $n_1 =$ 1400 min ⁻¹	M_{2max} $f_B = 1$	W			IEC											
				P_{1max} $n_1 =$ 1400 min ⁻¹	P_{1max} $n_1 =$ 930 min ⁻¹	$f_B \geq 1$ $n_1 =$ 700 min ⁻¹	$f_B \Rightarrow$ E4 - E42											
							IEC 90	IEC 100	IEC 112	IEC 132	AI 160	AI 180						
	[min ⁻¹]	[Nm]	[kW]	[kW]	[kW]													
SK 9086.1/52	4818,83	0,29	20000	0,65	0,43	0,32	*	*	*									
	3590,92	0,39	20000	0,82	0,54	0,41	*	*	*									
W	3007,66	0,47	20000	0,98	0,65	0,49		*	*									
	2107,43	0,66	20000	1,38	0,91	0,69		*	*									
	1786,05	0,78	20000	1,63	1,08	0,82		*	*	*	*							
\Rightarrow	1463,40	0,96	20000	2,01	1,33	1,01		*	*	*	*	*						
	1202,18	1,2	20000	2,51	1,66	1,26		*	*	*	*	*						
IEC, AI	907,88	1,5	20000	3,14	2,07	1,57			*	*	*	*						
	714,15	2,0	20000	4,19	2,76	2,09				*	*	*						
	623,16	2,2	20000	4,61	3,04	2,30				*	*	*						
\Rightarrow	433,35	3,2	20000	6,70	4,42	3,35				*	*	*						
	378,14	3,7	20000	7,75	5,11	3,87					*	*						
	270,47	5,2	20000	10,89	7,19	5,45					*	*						
	235,93	5,9	20000	12,36	8,15	6,18					*	*						
	171,89	8,1	20000	16,96	11,20	8,48						*						
	144,60	9,7	18000	18,28	12,07	9,14						*						

	i_{ges}	n_2 $n_1 =$ 1400 min ⁻¹	M_{2max} $f_B = 1$	P_{1max} $n_1 =$ 1400 min ⁻¹	P_{1max} $n_1 =$ 930 min ⁻¹	$f_B \geq 1$ $n_1 =$ 700 min ⁻¹	IEC											
							$f_B \Rightarrow$ E4 - E42											
							IEC 90	IEC 100	IEC 112	IEC 132	AI 160	AI 180	AI 200	AI 225	AI 250	AI 280	AI 315	
SK 9086.1	230,64	6,1	20000	12,77	8,43	6,39					*	*						
	194,04	7,2	20000	15,08	9,95	7,54					*							
W	151,76	9,2	20000	19,27	12,72	9,63					*	*						
	127,67	11	20000	23,04	15,20	11,52					*							
	116,50	12	20000	25,13	16,59	12,57						*						
\Rightarrow	90,50	15	20000	31,41	20,73	15,71							*					
	78,24	18	20000	37,70	24,88	18,85							*	*				
	67,50	21	20000	43,98	29,03	21,99							*	*	*	*		
IEC, AI	58,90	24	20000	50,26	33,17	25,13							*	*	*	*		
	50,30	28	20000	58,64	38,70	29,32								*	*	*		
\Rightarrow	42,13	33	20000	69,11	45,61	34,55									*	*		
	35,44	40	18000	75,39	49,76	37,70									*	*		
	29,52	47	20000	98,43	64,96	49,21										*	*	
	25,21	56	20000	117,28	77,40	58,64										*	*	
	21,12	66	20000	138,22	91,23	69,11										*	*	
	17,77	79	19000	157,17	103,73	78,59										*	*	
	16,38	85	19000	160,00	105,60	80,00										*	*	
	14,70	95	15000	149,21	98,48	74,61										*	*	
	12,31	114	14000	160,00	105,60	80,00										*	*	
	11,60	121	17000	160,00	105,60	80,00										*	*	
	9,55	147	13000	160,00	105,60	80,00										*	*	
	8,04	174	13000	160,00	105,60	80,00										*	*	

* \Rightarrow A63

Helical-bevel gear units

	W	IEC 90	IEC 100	IEC 112	IEC 132	AI 160	AI 180	AI 200	AI 225	AI 250	AI 280	AI 315
SK 9086.1/52	926	921	928	928	942	941	941	-	-	-	-	-
SK 9086.1	945	-	-	-	871	885	885	896	913	975	975	1029

SK 9092.1/52 SK 9092.1



	i_{ges}	n_2 $n_1 =$ 1400 min ⁻¹	M_{2max} $f_B = 1$	W			IEC														
				P_{1max} $n_1 =$ 1400 min ⁻¹	P_{1max} $n_1 =$ 930 min ⁻¹	$f_B \geq 1$ $n_1 =$ 700 min ⁻¹	$f_B \Rightarrow$ E4 - E42														
							IEC 90	IEC 100	IEC 112	IEC 132	AI 160	AI 180									
SK 9092.1/52	4916,63	0,28	32000	0,94	0,62	0,47	*	*	*												
	3551,65	0,39	26000	1,06	0,70	0,53	*	*	*												
W	2902,00	0,48	26000	1,31	0,86	0,65		*	*												
$\frac{W}{mm}$	2116,80	0,66	32000	2,21	1,46	1,11		*	*	*	*										
\Rightarrow E122	1795,36	0,78	32000	2,61	1,72	1,31		*	*	*	*										
	1424,80	0,98	32000	3,28	2,17	1,64			*	*	*										
	1120,00	1,2	32000	4,02	2,65	2,01				*	*										
	846,40	1,7	32000	5,70	3,76	2,85				*	*	*									
IEC, AI	706,40	2,0	32000	6,70	4,42	3,35				*	*	*									
$\frac{IEC, AI}{mm}$	608,12	2,3	32000	7,71	5,09	3,85				*	*	*									
\Rightarrow A12	441,46	3,2	32000	10,72	7,08	5,36					*										
	385,67	3,6	32000	12,06	7,96	6,03					*	*									
	280,76	5,0	32000	16,75	11,06	8,38						*									
	222,14	6,3	32000	21,11	13,93	10,55							*								
	191,28	7,3	32000	22,00	14,52	11,00								*							

	i_{ges}	n_2 $n_1 =$ 1400 min ⁻¹	M_{2max} $f_B = 1$	P_{1max} $n_1 =$ 1400 min ⁻¹	P_{1max} $n_1 =$ 930 min ⁻¹	$f_B \geq 1$ $n_1 =$ 700 min ⁻¹	IEC														
							IEC 90	IEC 100	IEC 112	IEC 132	AI 160	AI 180	AI 200	AI 225	AI 250	AI 280	AI 315				
SK 9092.1	297,51	4,7	32000	15,75	10,39	7,87															
	253,40	5,5	32000	18,43	12,16	9,21						*									
	197,51	7,1	32000	23,79	15,70	11,90						*									
W	152,96	9,2	32000	30,83	20,35	15,41															
$\frac{W}{mm}$	120,23	12	32000	40,21	26,54	20,10							*								
\Rightarrow E124	102,28	14	32000	46,91	30,96	23,46								*							
	91,60	15	32000	50,26	33,17	25,13									*		*				
	80,00	18	32000	60,31	39,81	30,16										*	*				
	68,87	20	32000	67,02	44,23	33,51											*	*			
IEC, AI	58,66	24	32000	80,42	53,08	40,21												*	*		
$\frac{IEC, AI}{mm}$	49,75	28	32000	93,82	61,92	46,91													*	*	
\Rightarrow A12	47,93	29	32000	97,17	64,13	48,59														*	*
	46,02	30	32000	100,52	66,35	50,26															*
	43,68	32	27800	93,15	61,48	46,58															*
	40,65	34	32000	113,93	75,19	56,96															*
	39,10	36	32000	120,63	79,61	60,31															*
	34,15	41	32000	137,38	90,67	68,69															*
	29,28	48	32000	160,00	105,60	80,00															*
	24,94	56	32000	160,00	105,60	80,00															*
	20,38	69	32000	160,00	105,60	80,00															*
	17,26	81	20500	160,00	105,60	80,00															*
	14,10	99	19400	160,00	105,60	80,00															*
	11,55	121	18400	160,00	105,60	80,00															*
	10,68	131	18000	160,00	105,60	80,00															*

* \Rightarrow A63

Helical-bevel gear units

$\frac{kg}{mm^3}$	W	IEC 90	IEC 100	IEC 112	IEC 132	AI 160	AI 180	AI 200	AI 225	AI 250	AI 280	AI 315
SK 9092.1/52	1496	1491	1498	1498	1512	1511	1511	-	-	-	-	-
SK 9092.1	1515	-	-	-	1441	1455	1455	1466	1483	1545	1545	1599



SK 9096.1/63 SK 9096.1/62 SK 9096.1

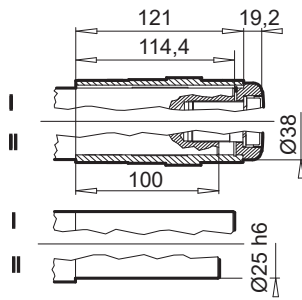
	i_{ges}	n_2 $n_1 =$ 1400 min ⁻¹	M_{2max} $f_B = 1$	W			IEC $f_B \Rightarrow$ E4 - E42															
				P_{1max} $n_1 =$ 1400 min ⁻¹	P_{1max} $n_1 =$ 930 min ⁻¹	$f_B \geq 1$ $n_1 =$ 700 min ⁻¹	IEC				AI											
							90	100	112	132	160	180										
SK 9096.1/63	13432,68	0,10	50000	0,56	0,37	0,28	*	*	*	*												
	11954,86	0,12	50000	0,67	0,44	0,33	*	*	*	*	*											
W	9713,32	0,14	50000	0,77	0,51	0,39	*	*	*	*	*	*										
$\frac{H}{mm}$	8306,57	0,17	50000	0,89	0,59	0,45	*	*	*	*	*	*										
\Rightarrow E124	7842,34	0,18	50000	0,94	0,62	0,47	*	*	*	*	*	*										
	6706,55	0,21	50000	1,10	0,73	0,55	*	*	*	*	*	*										
	5575,65	0,25	50000	1,31	0,86	0,65	*	*	*	*	*	*										
	4441,42	0,32	50000	1,68	1,11	0,84	*	*	*	*	*	*										
IEC, AI	3692,48	0,38	50000	1,99	1,31	0,99	*	*	*	*	*	*										
$\frac{H}{mm}$	3210,12	0,44	50000	2,30	1,52	1,15			*	*	*	*										
\Rightarrow A12	2679,06	0,52	50000	2,72	1,80	1,36			*	*	*	*										
	2316,27	0,60	50000	3,14	2,07	1,57			*	*	*	*										
	2052,10	0,68	50000	3,56	2,35	1,78			*	*	*	*										
	1774,21	0,79	50000	4,14	2,73	2,07			*	*	*	*										
SK 9096.1/62	1623,67	0,86	50000	4,50	2,97	2,25					*	*	*	*								
	1353,86	1,0	50000	5,24	3,46	2,62					*	*	*	*	*							
	1165,22	1,2	50000	6,28	4,15	3,14					*	*	*	*	*							
W	979,31	1,4	50000	7,33	4,84	3,66					*	*	*	*	*							
$\frac{H}{mm}$	816,57	1,7	50000	8,90	5,87	4,45					*	*	*	*	*							
\Rightarrow E124	702,80	2,0	50000	10,47	6,91	5,24					*	*	*	*	*							
	607,63	2,3	50000	12,04	7,95	6,02					*	*	*	*	*							
	538,33	2,6	50000	13,61	8,98	6,81					*	*	*	*	*							
IEC, AI	474,22	3,0	50000	15,71	10,37	7,85					*	*	*	*	*							
$\frac{H}{mm}$	431,00	3,2	50000	16,75	11,06	8,38					*	*	*	*	*							
\Rightarrow A12	370,95	3,8	50000	19,90	13,13	9,95					*	*	*	*	*							
	320,72	4,4	50000	23,04	15,20	11,52					*	*	*	*	*							
	297,17	4,7	50000	24,61	16,24	12,30					*	*	*	*	*							
	270,09	5,2	50000	27,23	17,97	13,61					*	*	*	*	*							
	233,51	6,0	50000	31,41	20,73	15,71					*	*	*	*	*							
	208,95	6,7	50000	35,08	23,15	17,54					*	*	*	*	*							
SK 9096.1	200,57	7,0	50000	36,65	24,19	18,32									*							
	173,41	8,1	50000	42,41	27,99	21,20									*							
	154,29	9,1	50000	47,64	31,45	23,82									*			*	*			
W	133,53	10	50000	52,36	34,55	26,18									*			*	*			
$\frac{H}{mm}$	118,18	12	50000	62,83	41,47	31,41									*			*	*			
\Rightarrow E124	102,18	14	50000	73,30	48,38	36,65									*			*	*			
	89,60	16	50000	83,77	55,29	41,88									*			*	*			
	81,43	17	50000	89,01	58,74	44,50									*			*	*			
	70,41	20	50000	104,71	69,11	52,36									*			*	*			
IEC, AI	65,07	22	50000	115,18	76,02	57,59									*			*	*			
$\frac{H}{mm}$	56,26	25	50000	130,89	86,39	65,45									*			*	*			
\Rightarrow A12	47,79	29	50000	151,83	100,21	75,92									*			*	*			
	41,32	34	50000	178,01	117,49	89,01									*			*	*			
	36,24	39	50000	200,00	132,00	100,00									*			*	*			
	32,93	43	50000	200,00	132,00	100,00									*			*	*			
	28,47	49	50000	200,00	132,00	100,00									*			*	*			
	26,31	53	50000	200,00	132,00	100,00									*			*	*			
	22,75	62	50000	200,00	132,00	100,00									*			*	*			
	19,41	72	50000	200,00	132,00	100,00									*			*	*			
	16,78	83	50000	200,00	132,00	100,00									*			*	*			

* \Rightarrow A63

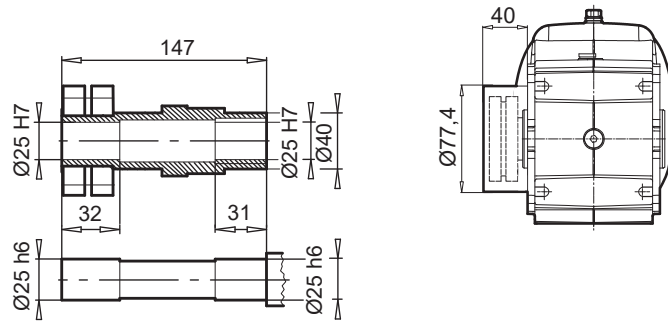
$\frac{H}{mm}$	W	IEC 90	IEC 100	IEC 112	IEC 132	AI 160	AI 180	AI 200	AI 225	AI 250	AI 280	AI 315
SK 9096.1/63	1949	1944	1951	1951	1965	1964	1964	-	-	-	-	-
SK 9096.1/62	1971	-	1959	1959	1972	1986	1986	1997	2014	-	-	-
SK 9096.1	1870	-	-	-	1841	1855	1855	1866	1883	1945	1945	1999



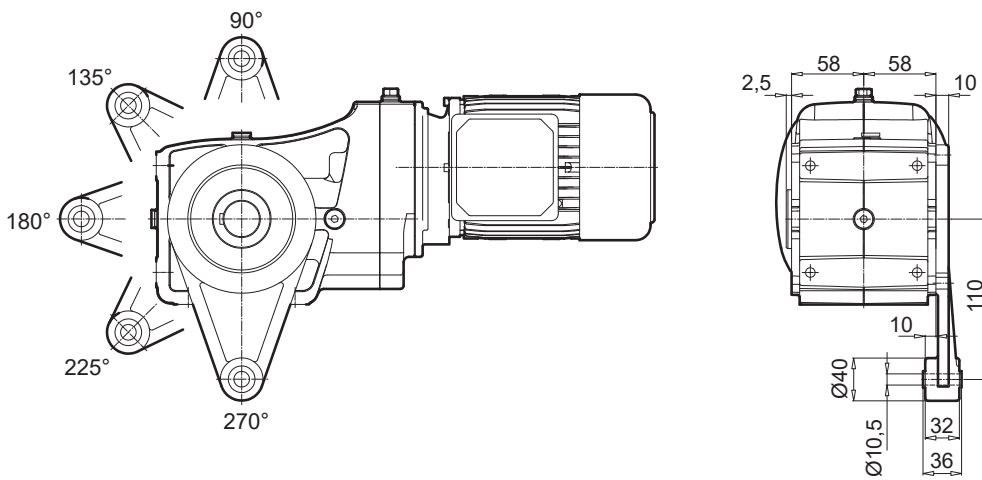
SK 92072.1 AB



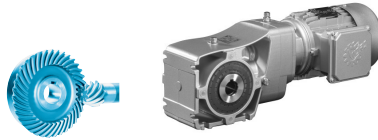
SK 92072.1 ASH



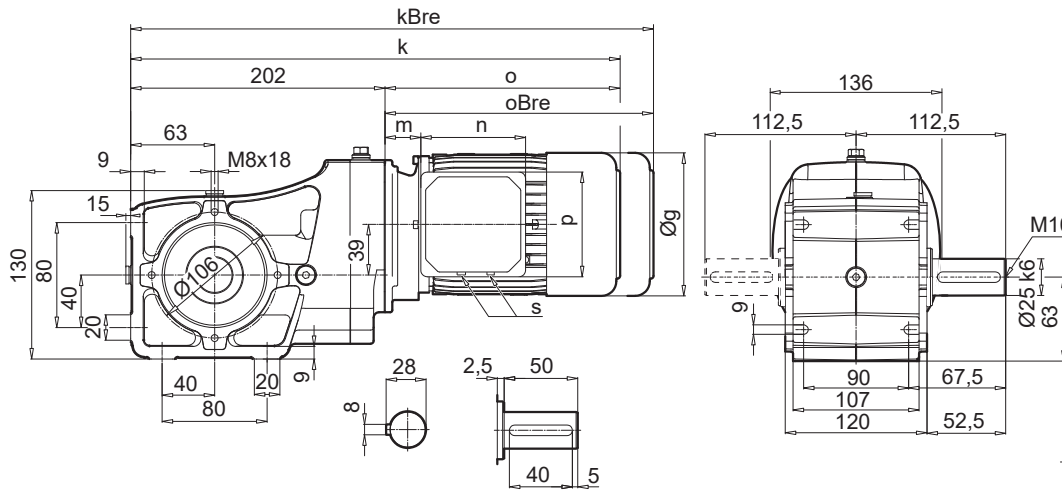
SK 92072.1 AD



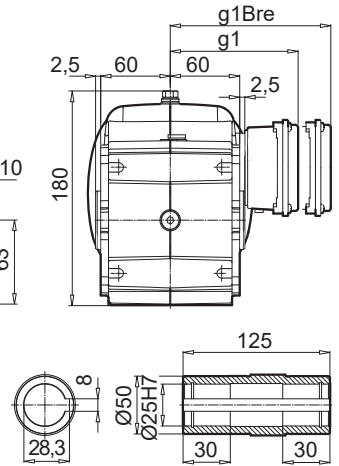
SK 92172.1



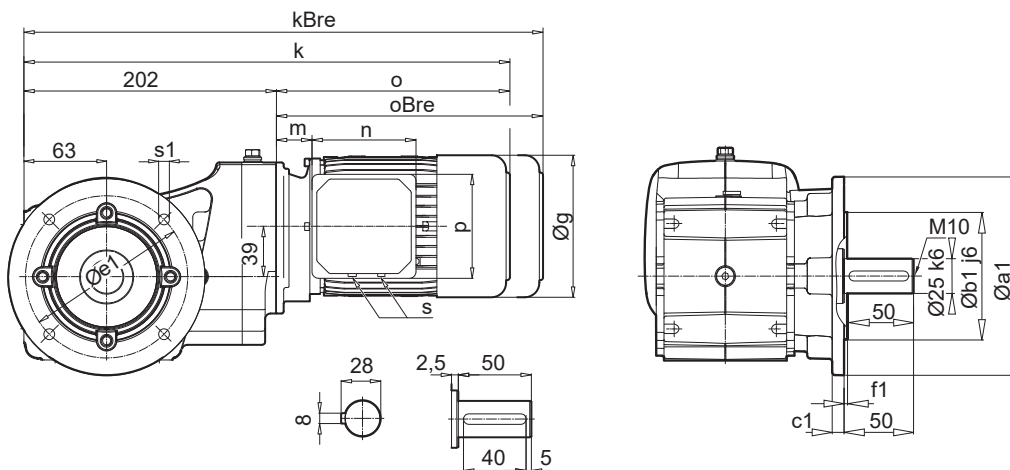
SK 92172.1 V



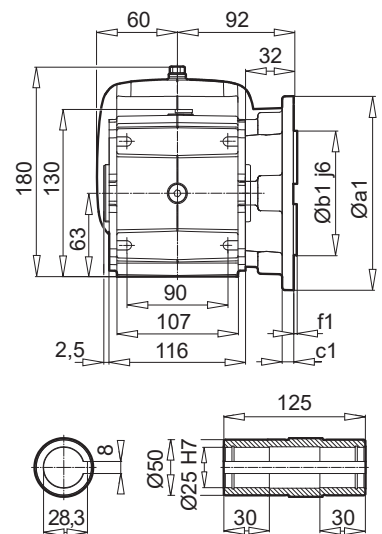
SK 92172.1 A



SK 92172.1VF




SK 92172.1 AF




a1	b1	c1	e1	f1	s1
160	110	12	130	3,5	9

Helical-bevel gear units

± ⇒ A61	63 S/L	71 S/L	80 SH	80 LP	90 SP/LP		
g	130	145	165	165	183		
g1 / g1Bre	115 / 123	124 / 132	142 / 142	142 / 142	147 / 147		
k / kBre	394 / 450	416 / 474	438 / 502	438 / 502	478 / 553		
o / oBre	192 / 248	214 / 272	236 / 300	236 / 300	276 / 351		
m / mBre	12 / 19	20 / 27	22 / 26	22 / 26	26 / 30		
n / nBre	100 / 134	100 / 134	114 / 153	114 / 153	114 / 153		
p / pBre	100 / 89	100 / 89	114 / 108	114 / 108	114 / 108		
s	M20 x 1,5	M20 x 1,5	M25 x 1,5	M25 x 1,5	M25 x 1,5		



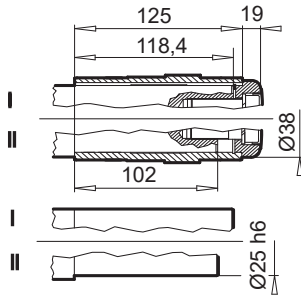
W ⇒ E116



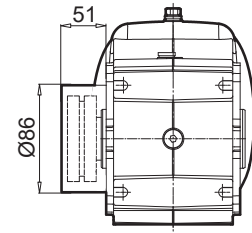
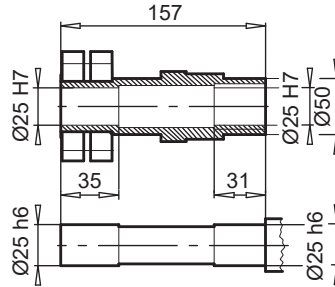
IEC ⇒ A12



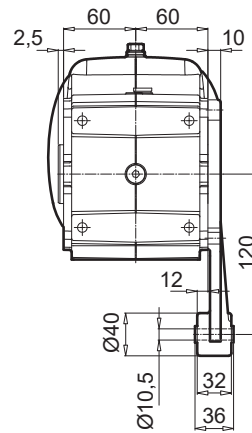
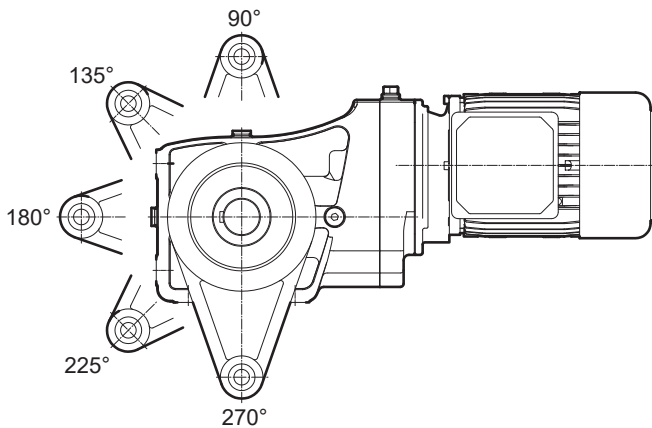
SK 92172.1 AB



SK 92172.1 ASH



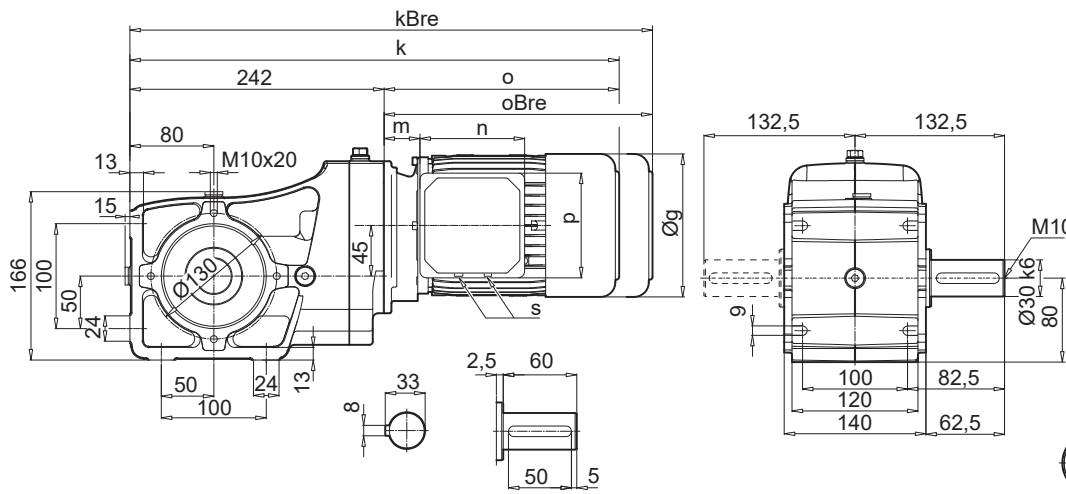
SK 92172.1 AD



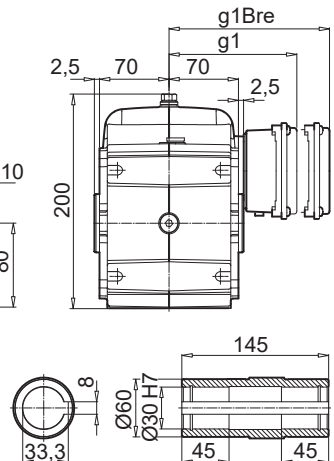
SK 92372.1



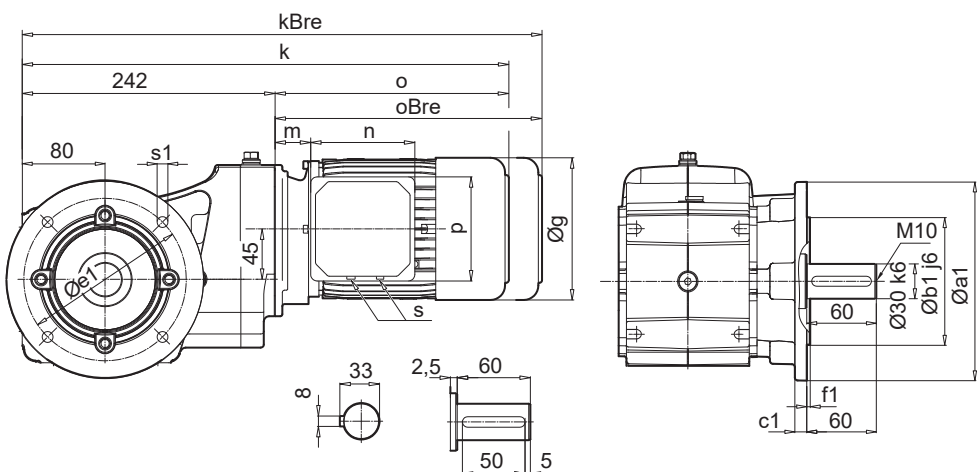
SK 92372.1 V



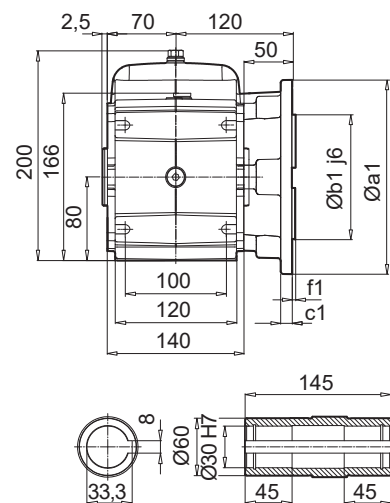
SK 92372.1 A



SK 92372.1VF



SK 92372.1 AF



a1	b1	c1	e1	f1	s1
160	110	12	130	3,5	9
200	130	12	165	3,5	11

Helical-bevel gear units

± ⇒ A61	63 S/L	71 S/L	80 SH	80 LP	90 SP/LP	100 LP/AP
g	130	145	165	165	183	201
g1 / g1Bre	115 / 123	124 / 132	142 / 142	142 / 142	147 / 147	169 / 173
k / kBre	438 / 494	478 / 536	503 / 567	503 / 567	544 / 619	574 / 665
o / oBre	196 / 252	236 / 294	261 / 325	261 / 325	302 / 377	332 / 423
m / mBre	16 / 23	42 / 49	47 / 51	47 / 51	52 / 56	58 / 62
n / nBre	100 / 134	100 / 134	114 / 153	114 / 153	114 / 153	114 / 153
p / pBre	100 / 89	100 / 89	144 / 108	144 / 108	144 / 108	144 / 108
s	M20 x 1,5	M20 x 1,5	M25 x 1,5	M25 x 1,5	M25 x 1,5	M25 x 1,5



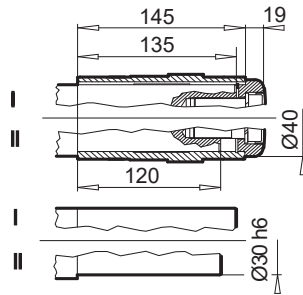
W ⇒ E117



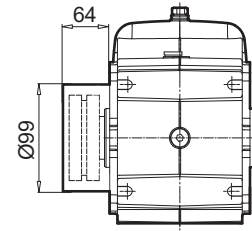
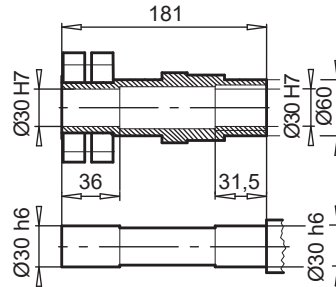
IEC ⇒ A12



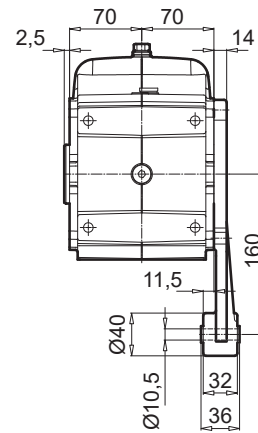
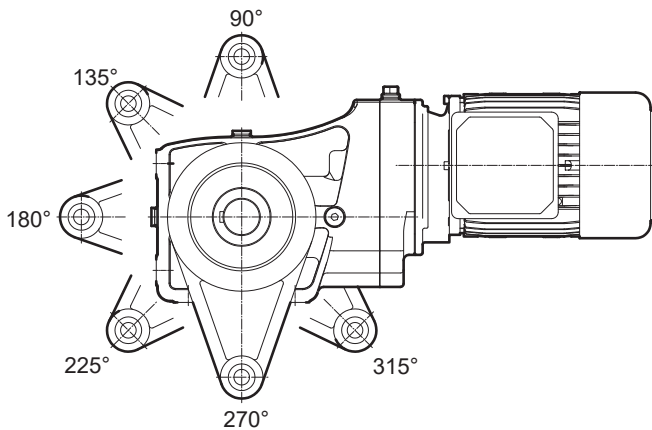
SK 92372.1 AB



SK 92372.1 ASH

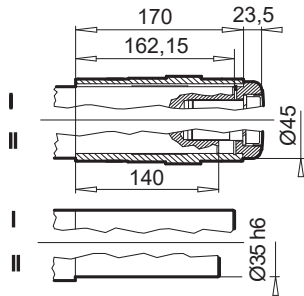


SK 92372.1 AD

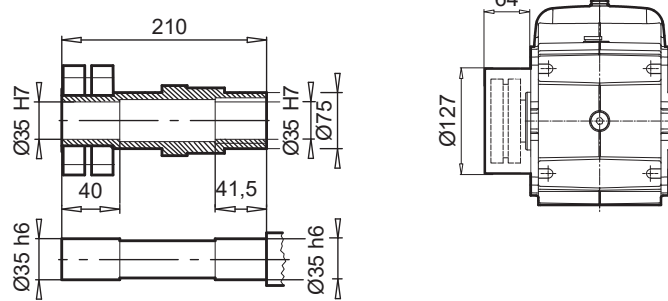




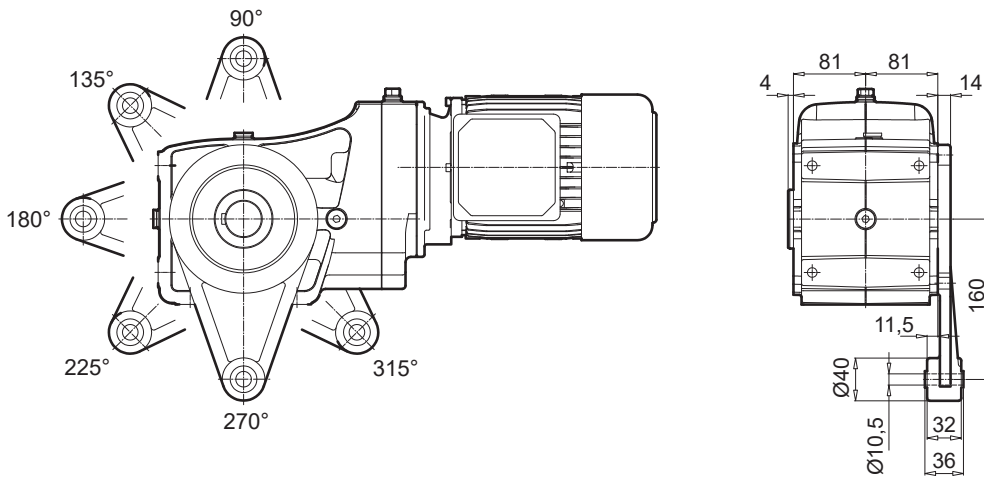
SK 92672.1 AB



SK 92672.1 ASH



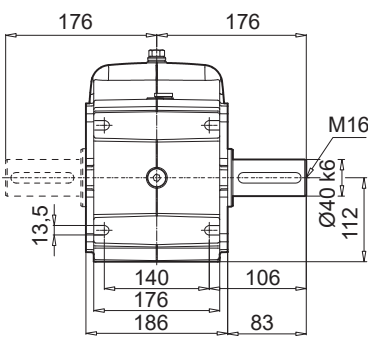
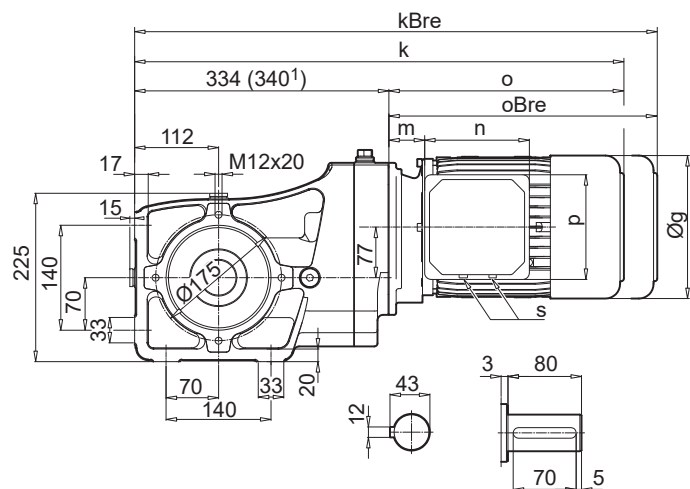
SK 92672.1 AD



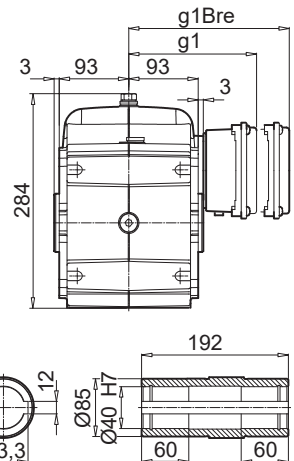
SK 92772.1



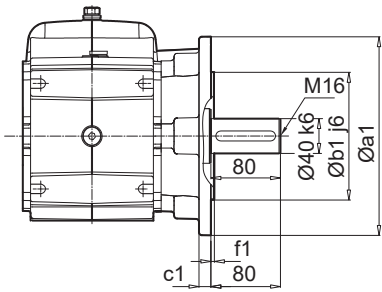
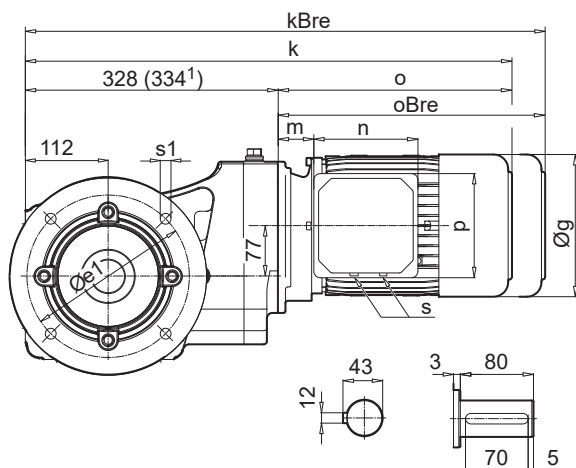
SK 92772.1 V



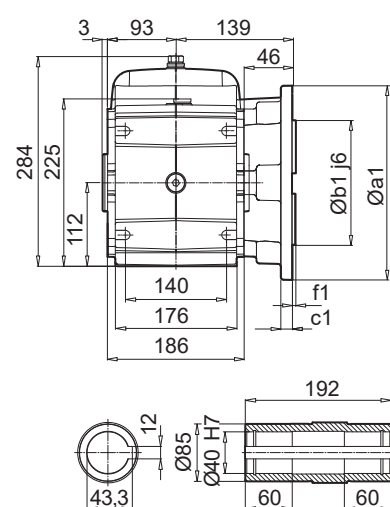
SK 92772.1 A



SK 92772.1VF



SK 92772.1 AF



Helical-bevel gear units

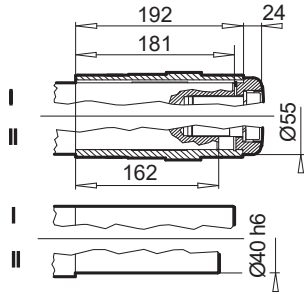
a1	b1	c1	e1	f1	s1
250	180	15	215	4	13,5

± ⇨ A61	71 S/L	80 SH	80 LP	90 SP/LP	100 LP/AP	112 MP	132 SP/MP ¹⁾
g	145	165	165	183	201	228	266
g1 / g1Bre	124 / 132	142 / 142	142 / 142	147 / 147	169 / 173	179 / 182	204 / 201
k / kBre	564 / 622	589 / 653	589 / 653	630 / 705	660 / 751	708 / 801	769 / 876
o / oBre	236 / 294	261 / 325	261 / 325	302 / 377	332 / 423	380 / 473	435 / 542
m / mBre	42 / 49	47 / 51	47 / 51	52 / 56	58 / 62	64 / 67	71 / 62
n / nBre	100 / 134	114 / 153	114 / 153	114 / 153	114 / 153	114 / 153	122 / 185
p / pBre	100 / 89	114 / 108	114 / 108	114 / 108	114 / 108	114 / 108	122 / 139
s	M20 x 1,5	M25 x 1,5	M25 x 1,5	M25 x 1,5	M25 x 1,5	M25 x 1,5	M25 x 1,5

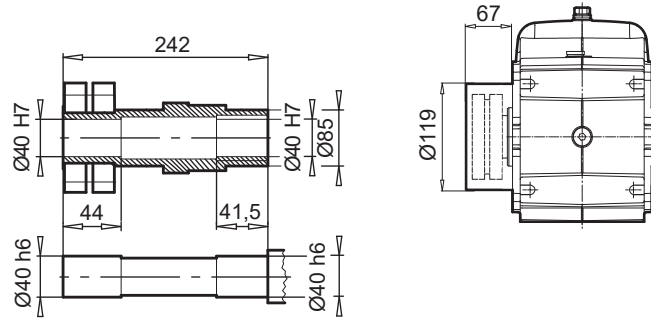




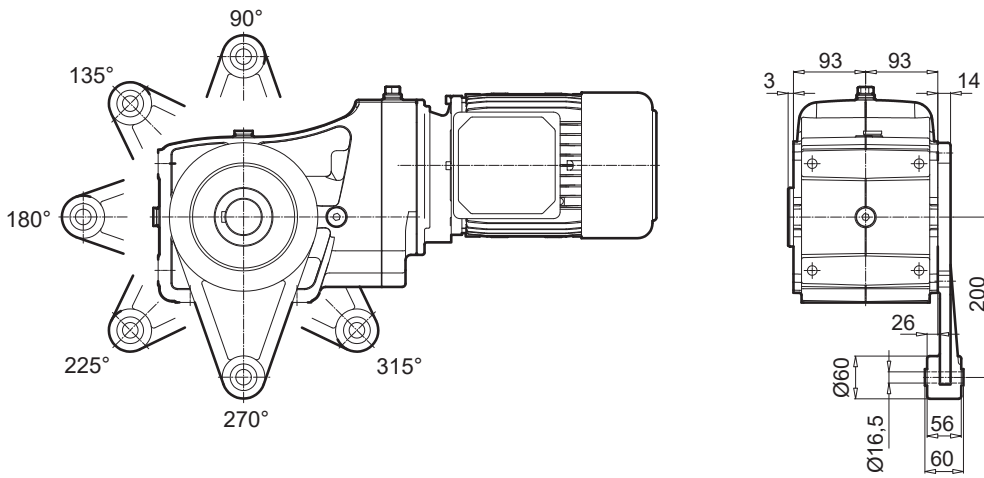
SK 92772.1 AB



SK 92772.1 ASH



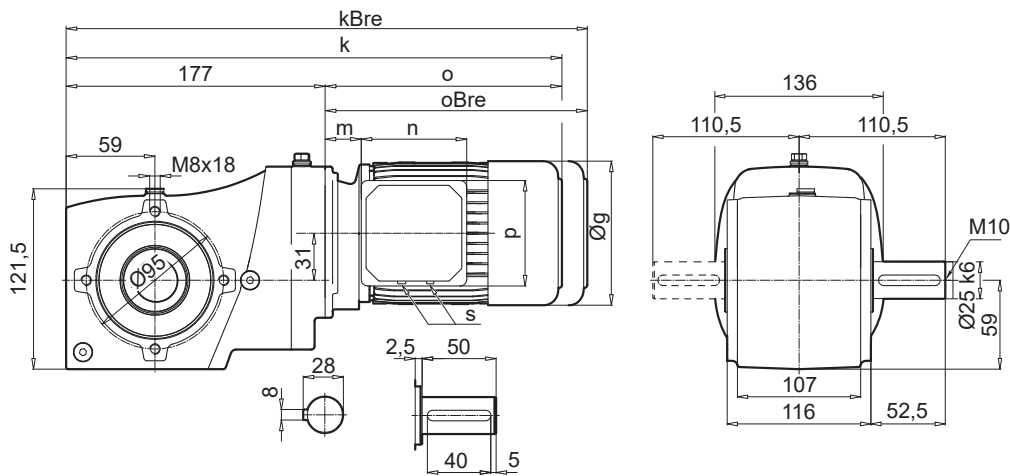
SK 92772.1 AD



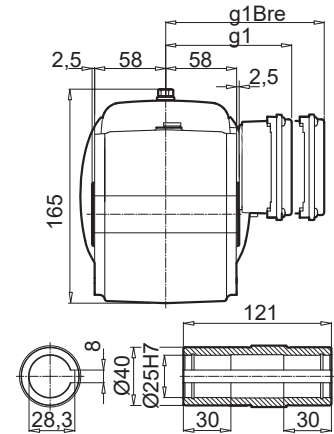
SK 93072.1



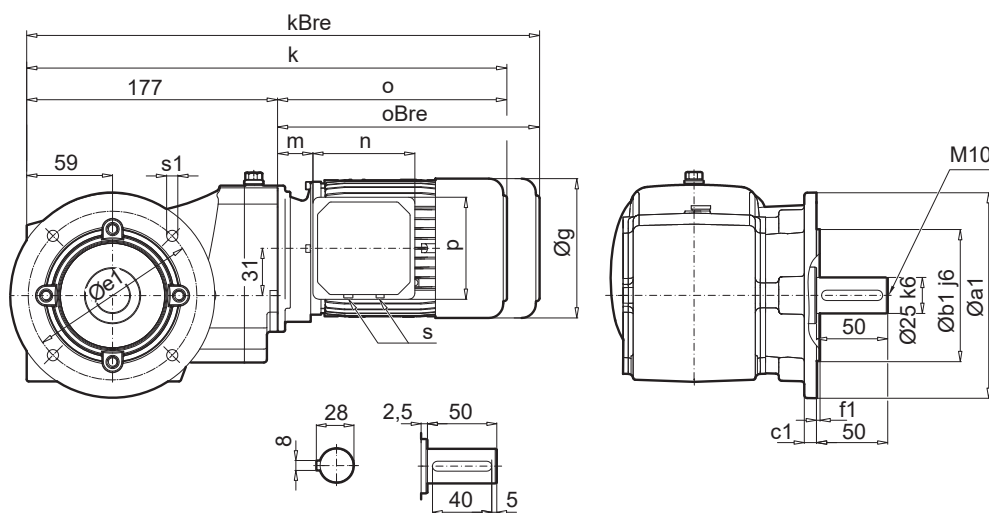
SK 93072.1 V



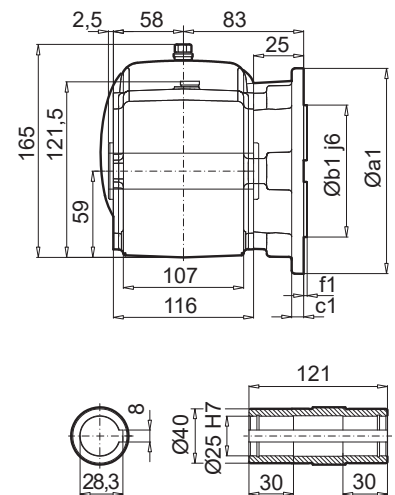
SK 93072.1 A



SK 93072.1VF




SK 93072.1 AF




a1	b1	c1	e1	f1	s1
140	95	10	115	3,0	9

Helical-bevel gear units

± ⇨ IEC A61	63 S/L	71 S/L	80 SH	80 LP	90 SP	
g	130	145	165	165	183	
g1 / g1Bre	115 / 123	124 / 132	142 / 142	142 / 142	147 / 147	
k / kBre	369 / 425	391 / 449	413 / 477	413 / 477	453 / 528	
o / oBre	192 / 248	214 / 272	236 / 300	236 / 300	276 / 351	
m / mBre	12 / 19	20 / 27	22 / 26	22 / 26	26 / 30	
n / nBre	100 / 134	100 / 134	114 / 153	114 / 153	114 / 153	
p / pBre	100 / 89	100 / 89	114 / 108	114 / 108	114 / 108	
s	M20 x 1,5	M20 x 1,5	M25 x 1,5	M25 x 1,5	M25 x 1,5	



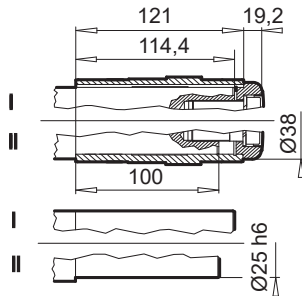
W ⇨ IEC E118



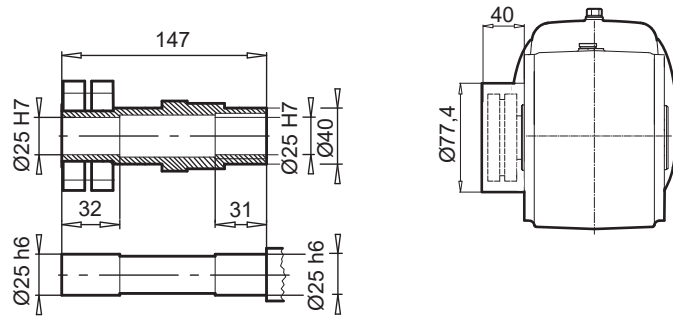
IEC ⇨ IEC A12



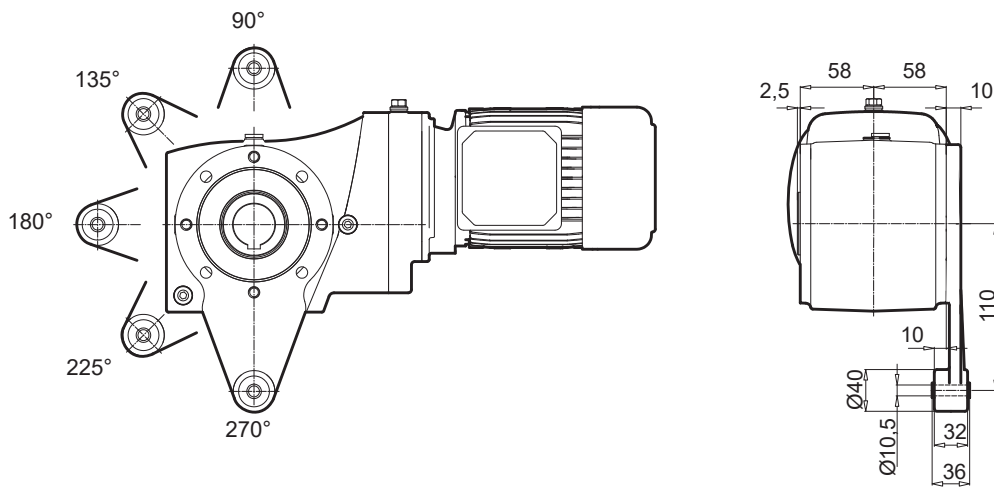
SK 93072.1 AB



SK 93072.1 ASH



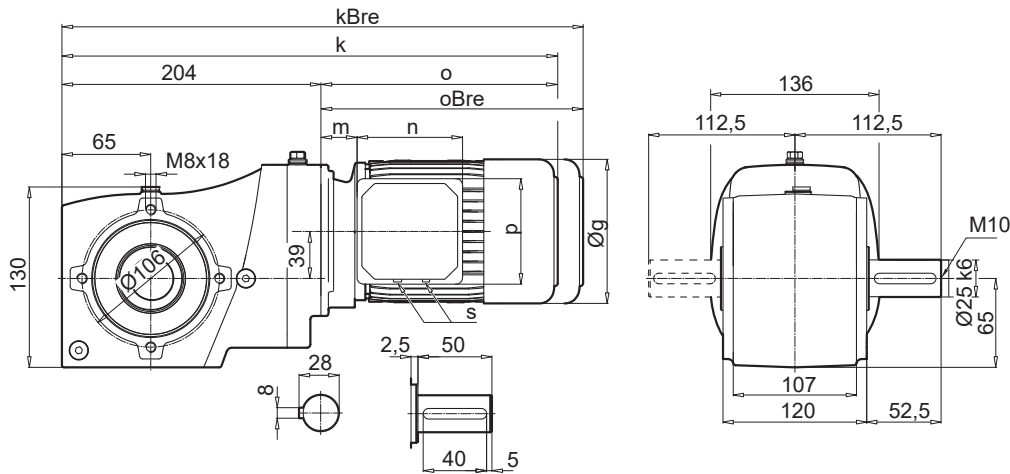
SK 93072.1 AD



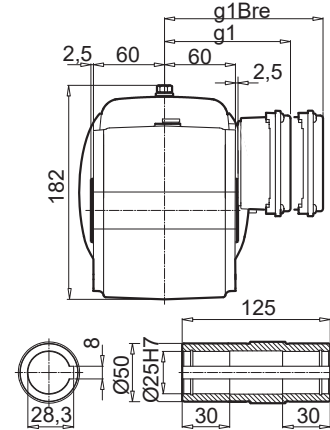
SK 93172.1



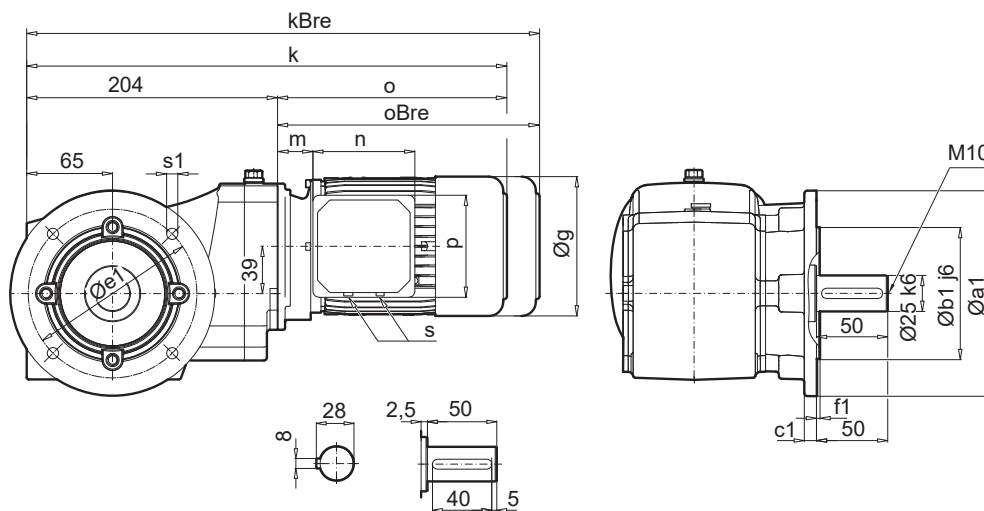
SK 93172.1 V



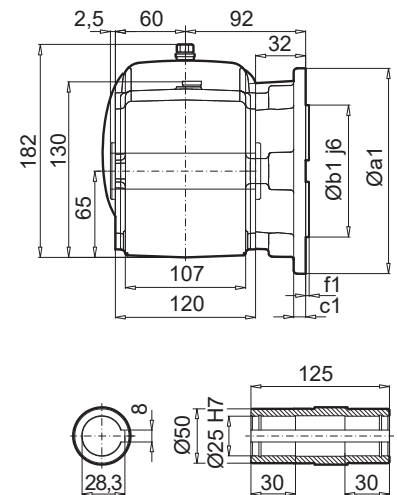
SK 93172.1 A



SK 93172.1VF



SK 93172.1 AF



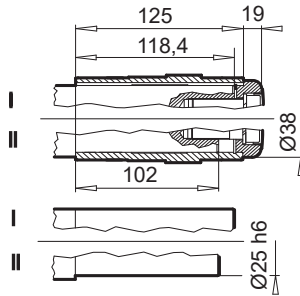
a1	b1	c1	e1	f1	s1
160	110	12	130	3,5	9

± ⇨ A61	63 S/L	71 S/L	80 SH	80 LP	90 SP/LP		
g	130	145	165	165	183		
g1 / g1Bre	115 / 123	124 / 132	142 / 142	142 / 142	147 / 147		
k / kBre	396 / 452	418 / 476	440 / 504	440 / 504	480 / 555		W ⇨ E118
o / oBre	192 / 248	214 / 272	236 / 300	236 / 300	276 / 351		IEC ⇨ A12
m / mBre	12 / 19	20 / 27	22 / 26	22 / 26	26 / 30		
n / nBre	100 / 134	100 / 134	114 / 153	114 / 153	114 / 153		
p / pBre	100 / 89	100 / 89	114 / 108	114 / 108	114 / 108		
s	M20 x 1,5	M20 x 1,5	M25 x 1,5	M25 x 1,5	M25 x 1,5		

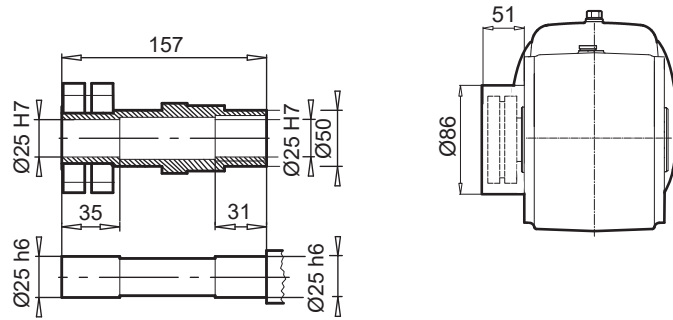
Helical-bevel gear units



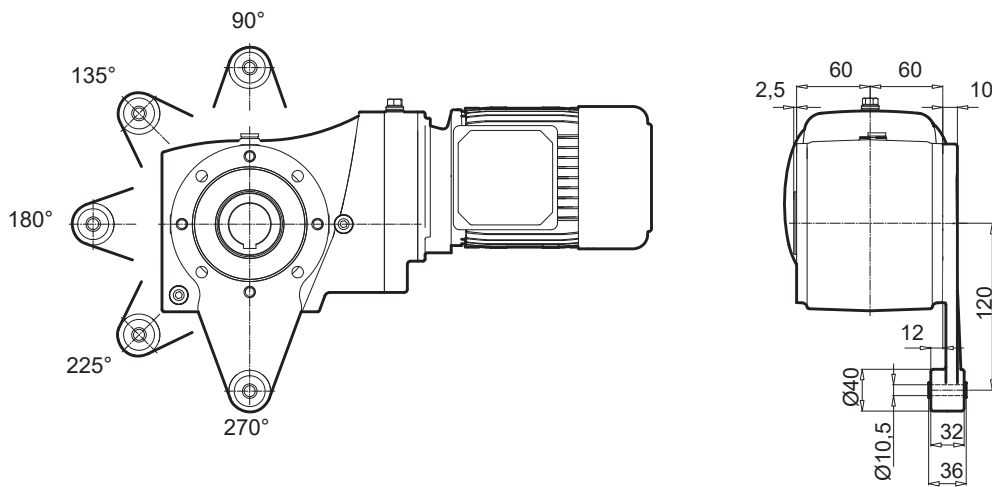
SK 93172.1 AB



SK 93172.1 ASH



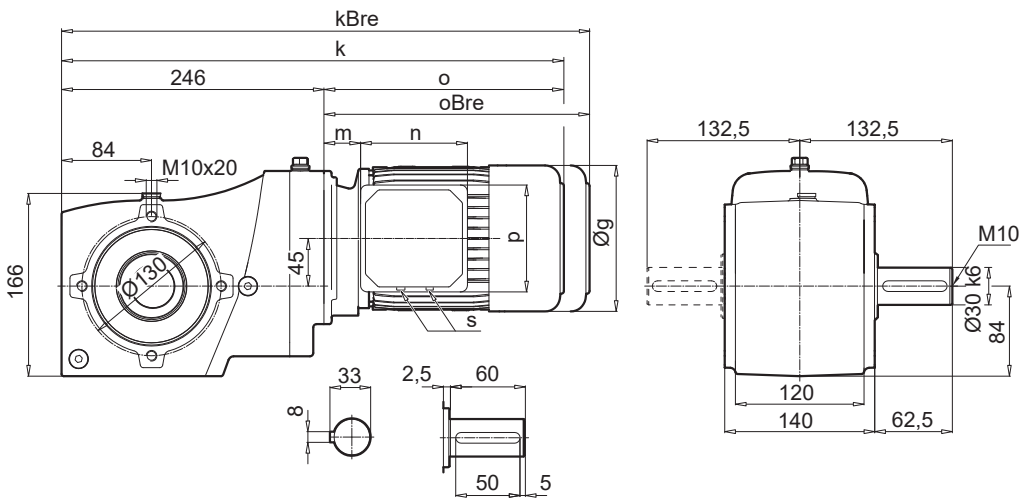
SK 93172.1 AD



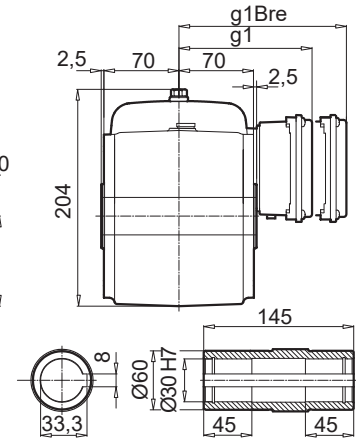
SK 93372.1



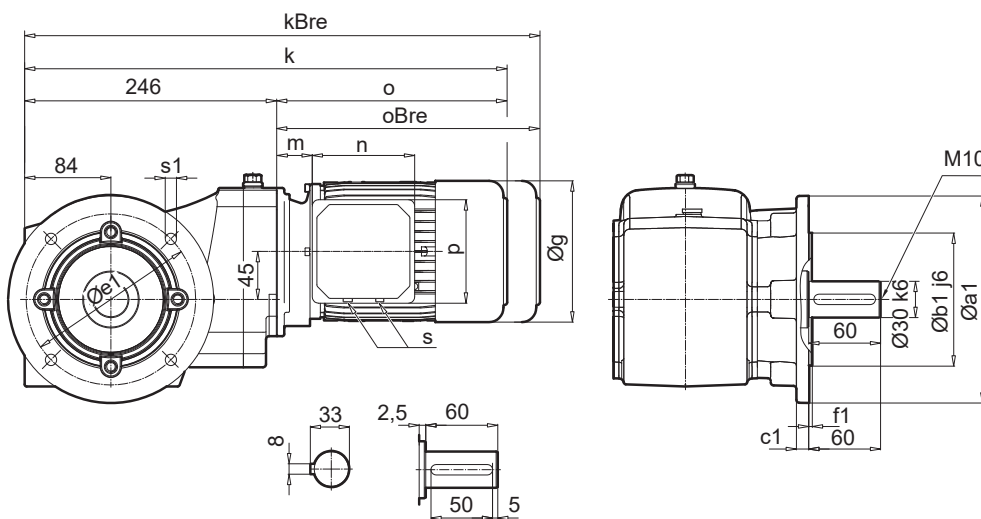
SK 93372.1 V



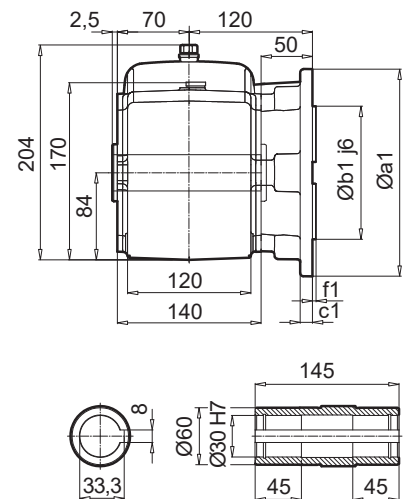
SK 93372.1 A



SK 93372.1VF



SK 93372.1 AF



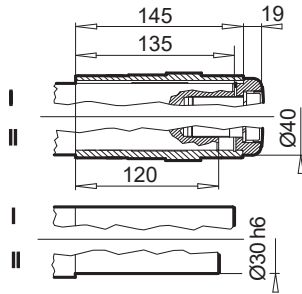
Helical-bevel gear units

a1	b1	c1	e1	f1	s1
160	110	12	130	3,5	9
200	130	12	165	3,5	11

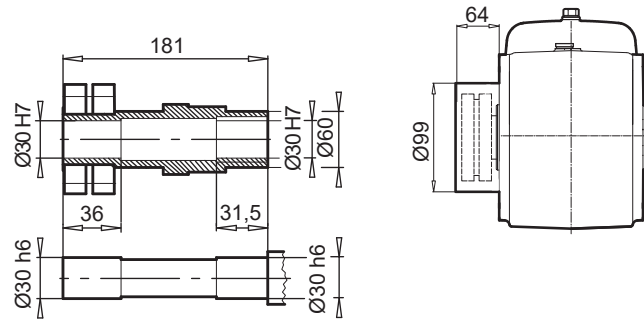
± ⇒ A61	63 S/L	71 S/L	80 SH	80 LP	90 SP/LP	100 LP/AP	
g	130	145	165	165	183	201	
g1 / g1Bre	115 / 123	124 / 132	142 / 142	142 / 142	147 / 147	169 / 173	
k / kBre	442 / 498	482 / 540	507 / 571	507 / 571	548 / 623	578 / 669	
o / oBre	196 / 252	236 / 294	261 / 325	261 / 325	302 / 377	332 / 423	W ⇒ E119
m / mBre	16 / 23	42 / 49	47 / 51	47 / 51	52 / 56	58 / 62	
n / nBre	100 / 134	100 / 134	114 / 153	114 / 153	114 / 153	114 / 153	IEC ⇒ A12
p / pBre	100 / 89	100 / 89	144 / 108	144 / 108	144 / 108	144 / 108	
s	M20 x 1,5	M20 x 1,5	M25 x 1,5	M25 x 1,5	M25 x 1,5	M25 x 1,5	



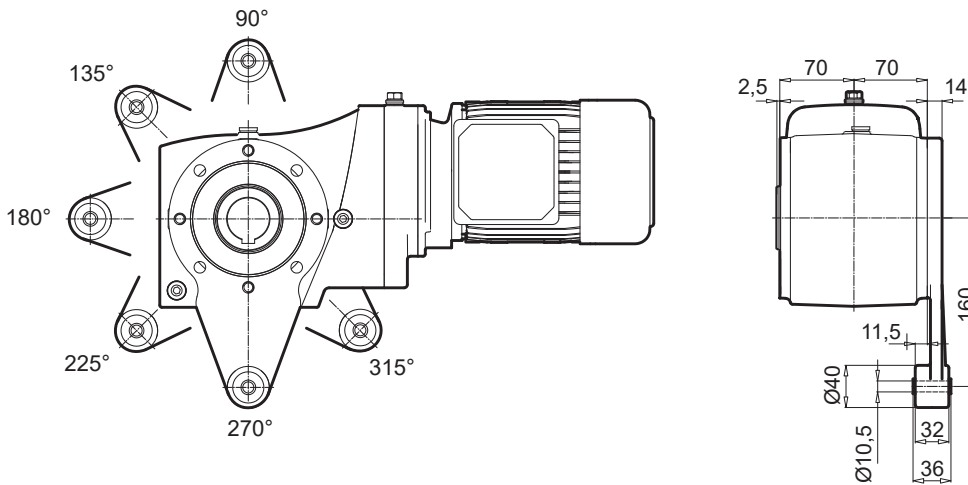
SK 93372.1 AB



SK 93372.1 ASH



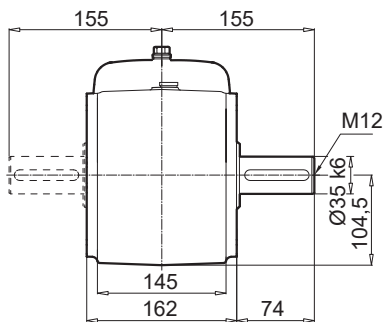
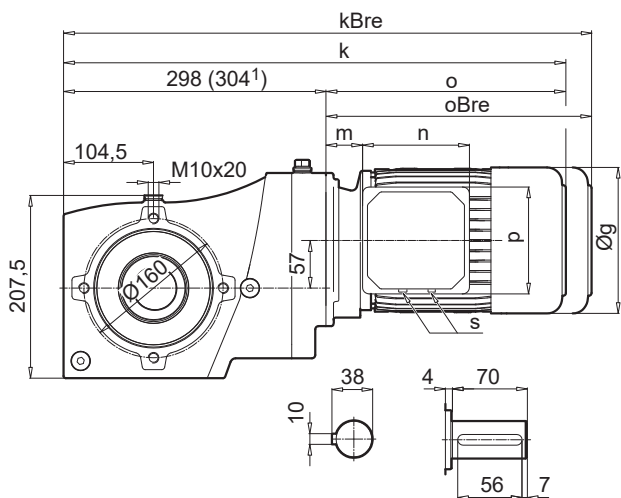
SK 93372.1 AD



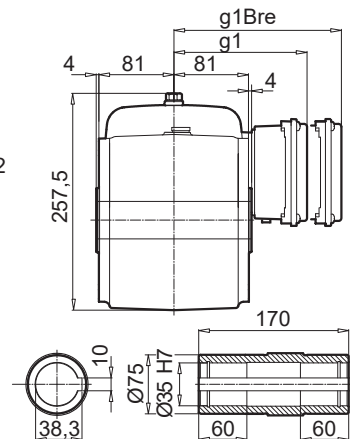
SK 93672.1



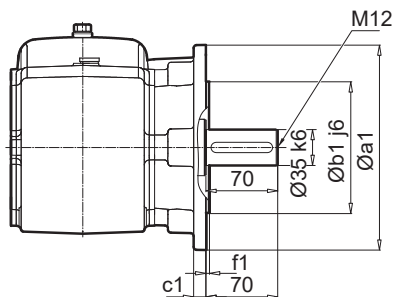
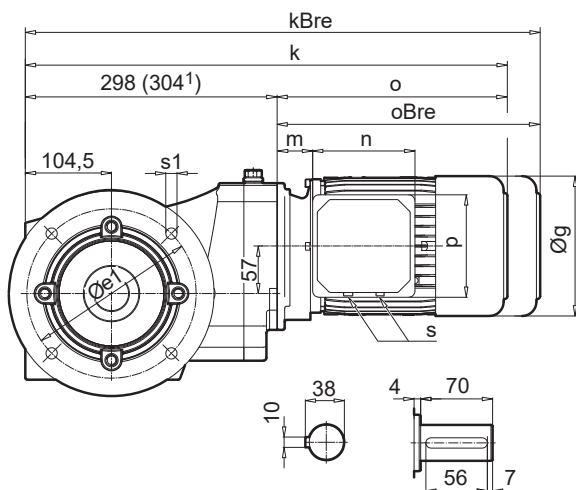
SK 93672.1 V



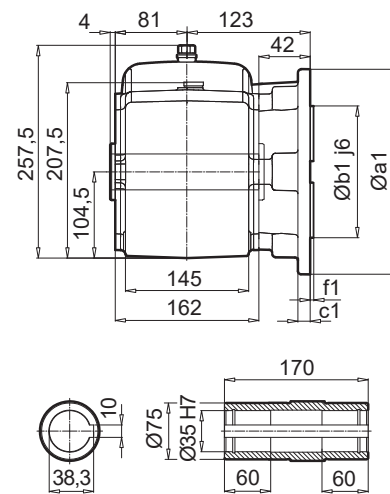
SK 93672.1 A



SK 93672.1AF



SK 93672.1 VF



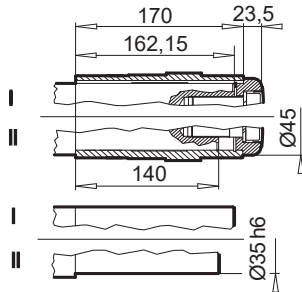
a1	b1	c1	e1	f1	s1
160	110	10	130	3,5	9
200	130	12	165	3,5	11,4

± ⇨ A61	71 S/L	80 SH	80 LP	90 SP/LP	100 LP/AP	112 MP	132 SP/MP ¹⁾	
g	145	165	165	183	201	228	266	
g1 / g1Bre	124 / 132	142 / 142	142 / 142	147 / 147	169 / 173	179 / 182	204 / 201	
k / kBre	534 / 592	559 / 623	559 / 623	600 / 675	630 / 721	678 / 771	733 / 840	
o / oBre	236 / 294	261 / 325	261 / 325	302 / 377	332 / 423	380 / 473	435 / 542	W ⇨ E119
m / mBre	42 / 49	47 / 51	47 / 51	52 / 56	58 / 62	64 / 67	71 / 62	
n / nBre	100 / 134	114 / 153	114 / 153	114 / 153	114 / 153	114 / 153	122 / 185	
p / pBre	100 / 89	114 / 108	114 / 108	114 / 108	114 / 108	114 / 108	122 / 139	
s	M20 x 1,5	M25 x 1,5	M25 x 1,5	M25 x 1,5	M25 x 1,5	M25 x 1,5	M25 x 1,5	IEC ⇨ A12

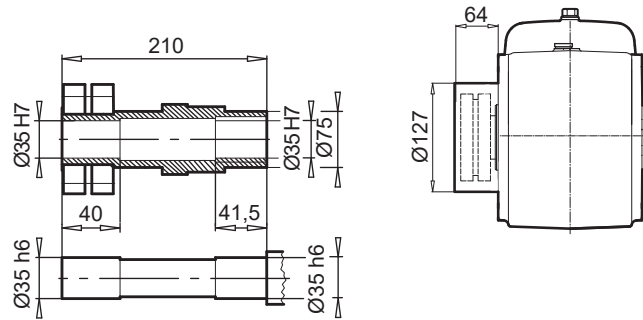
Helical-bevel gear units



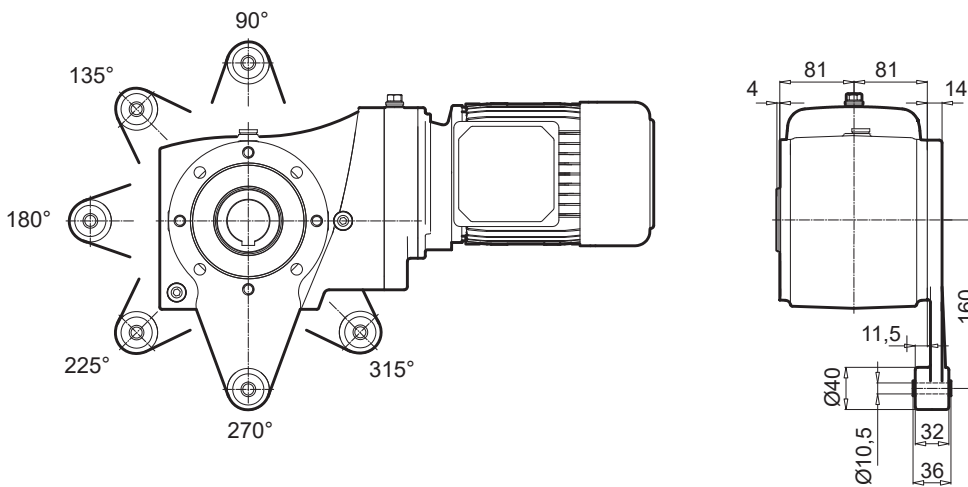
SK 93672.1 AB



SK 93672.1 ASH



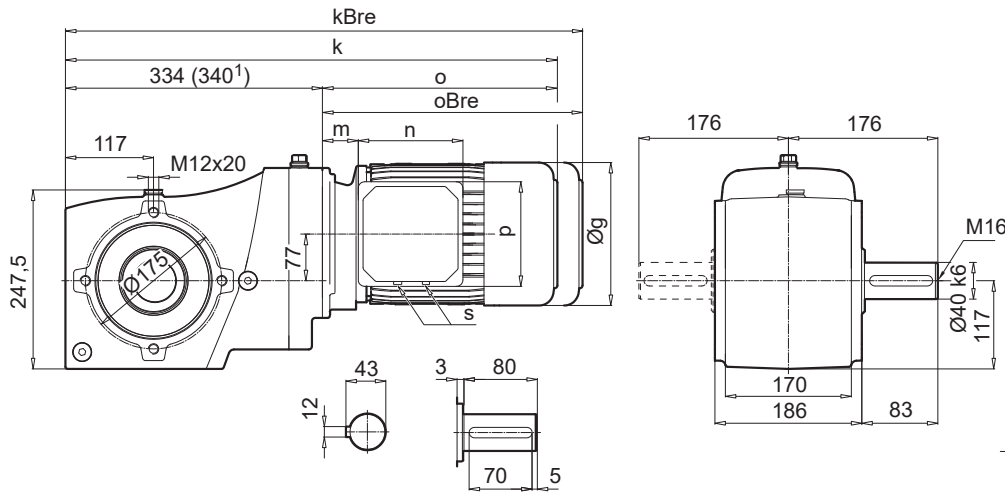
SK 93672.1 AD



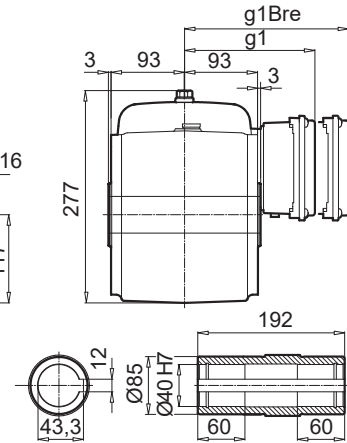
SK 93772.1



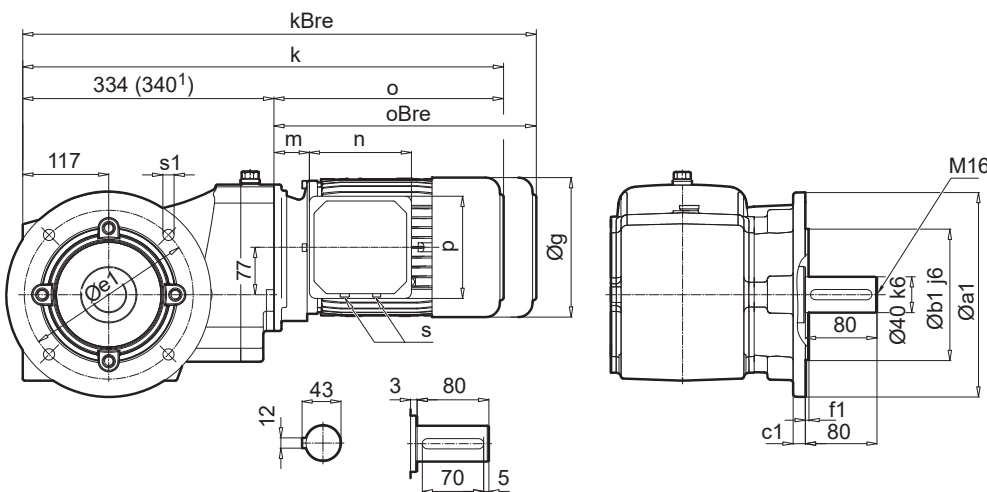
SK 93772.1 V



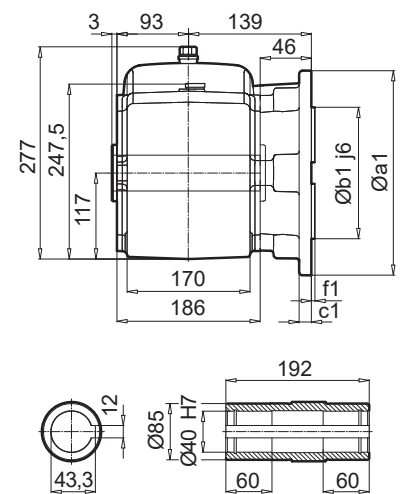
SK 93772.1 A



SK 93772.1VF



SK 93772.1 AF



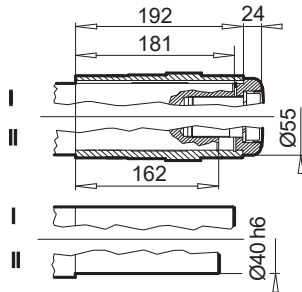
a1	b1	c1	e1	f1	s1
250	180	15	215	4	13,5

± ⇨ A61	71 S/L	80 SH	80 LP	90 SP/LP	100 LP/AP	112 MP	132 SP/MP ¹⁾	
g	145	165	165	183	201	228	266	
g1 / g1Bre	124 / 132	142 / 142	142 / 142	147 / 147	169 / 173	179 / 182	204 / 201	
k / kBre	570 / 628	595 / 659	595 / 659	636 / 711	666 / 757	714 / 807	775 / 882	
o / oBre	236 / 294	261 / 325	261 / 325	302 / 377	332 / 423	380 / 473	435 / 542	W ⇨ E119
m / mBre	42 / 49	47 / 51	47 / 51	52 / 56	58 / 62	64 / 67	71 / 62	
n / nBre	100 / 134	114 / 153	114 / 153	114 / 153	114 / 153	114 / 153	122 / 185	IEC ⇨ A12
p / pBre	100 / 89	114 / 108	114 / 108	114 / 108	114 / 108	114 / 108	122 / 139	
s	M20 x 1,5	M25 x 1,5	M25 x 1,5	M25 x 1,5	M25 x 1,5	M25 x 1,5	M25 x 1,5	

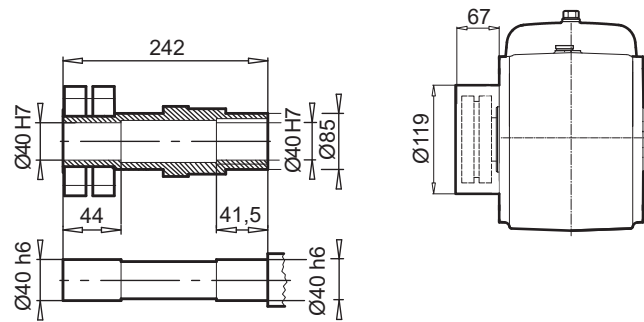
Helical-bevel gear units



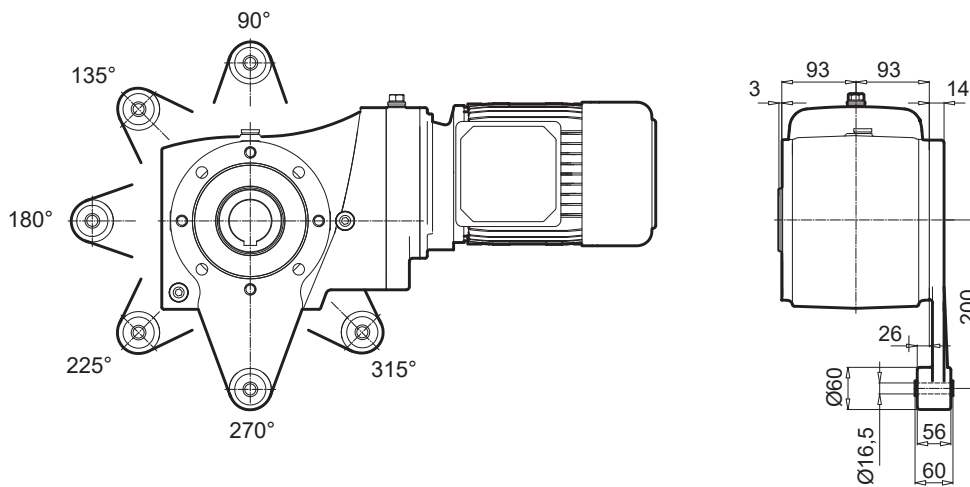
SK 93772.1 AB



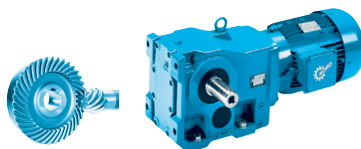
SK 93772.1 ASH



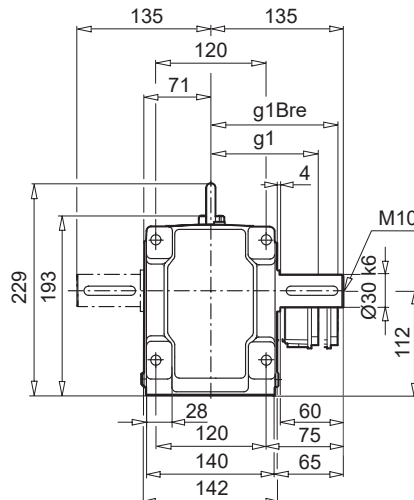
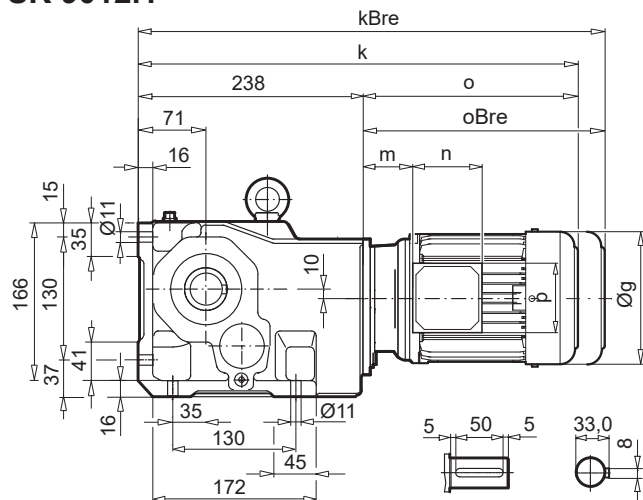
SK 93772.1 AD



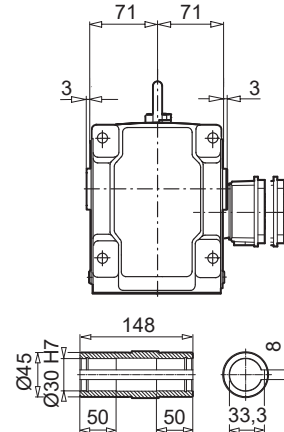
SK 9012.1



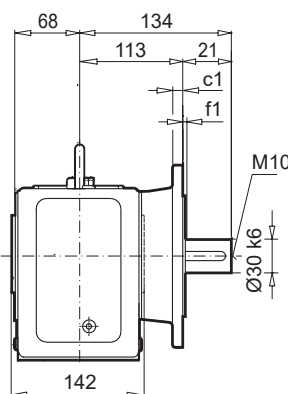
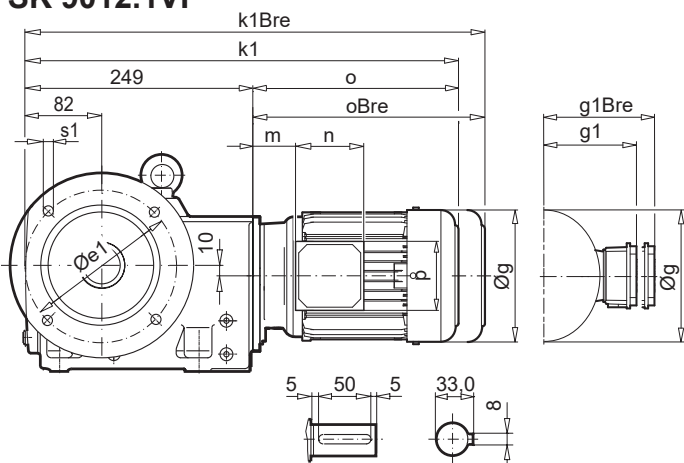
SK 9012.1



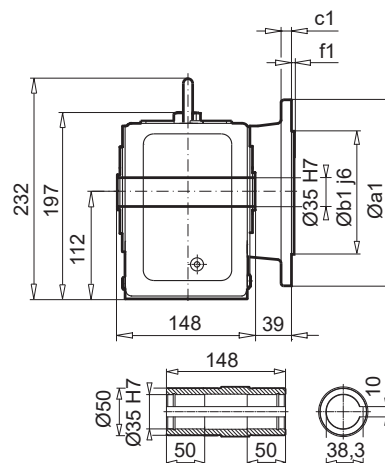
SK 9012.1AX



SK 9012.1VF

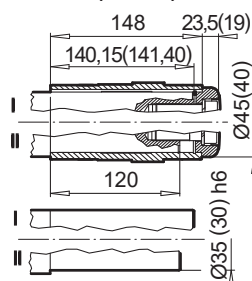


SK 9012.1AF



a1	b1	c1	e1	f1	s1
200	130	12	165	3,5	4 x 11

SK 9012.1AFB (AXB)



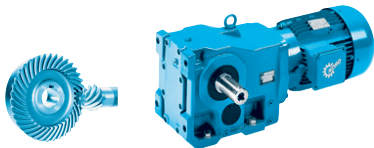
⇒ A61	63 S/L	71 S/L	80 SH	80 LH	90 SP/LP	100 LP/AP	112 MP
g	130	145	165	165	183	201	228
g1 / g1Bre	115 / 123	124 / 132	142 / 142	142 / 142	147 / 147	169 / 173	179 / 182
k / kBre	434 / 490	474 / 532	499 / 563	499 / 563	540 / 615	570 / 661	618 / 711
k1 / k1Bre	445 / 501	485 / 543	510 / 574	510 / 574	551 / 626	581 / 672	629 / 722
o / oBre	196 / 252	236 / 294	261 / 325	261 / 325	302 / 377	332 / 423	380 / 473
m / mBre	16 / 22	42 / 48	47 / 50	47 / 50	52 / 56	58 / 62	64 / 67
n / nBre	100 / 134	100 / 134	114 / 153	114 / 153	114 / 153	114 / 153	114 / 153
p / pBre	100 / 89	100 / 89	114 / 108	114 / 108	114 / 108	114 / 108	114 / 108



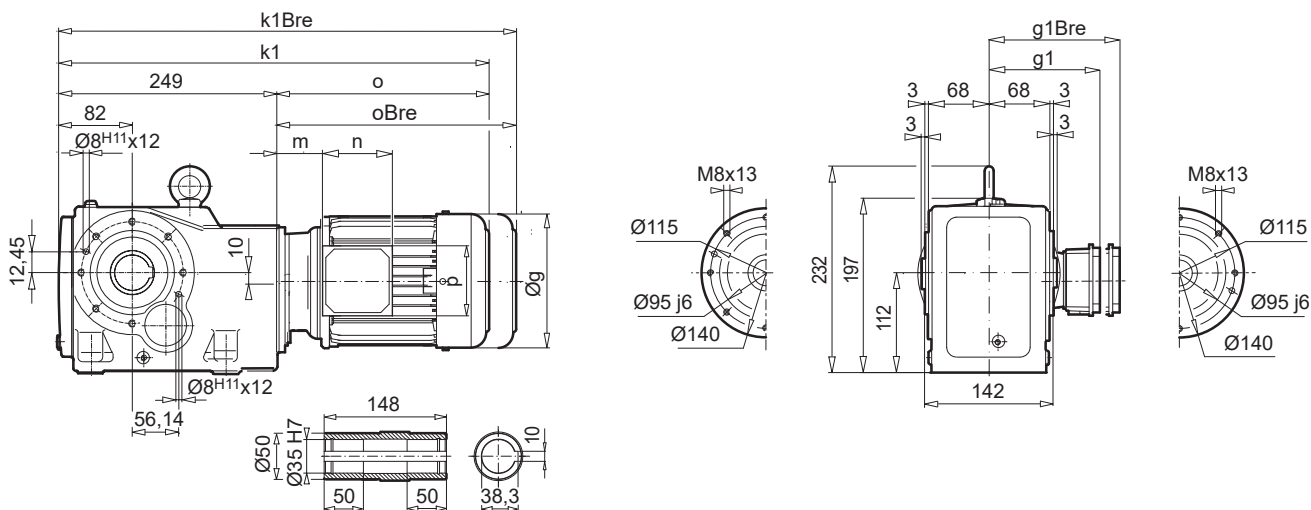
W⇒ E120



IEC ⇒ A12



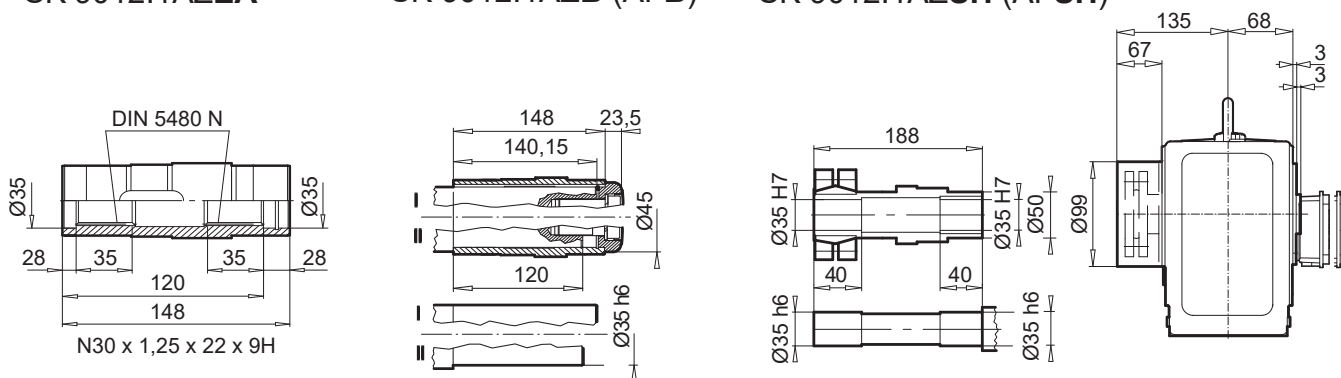
SK 9012.1AZ



SK 9012.1AZEA

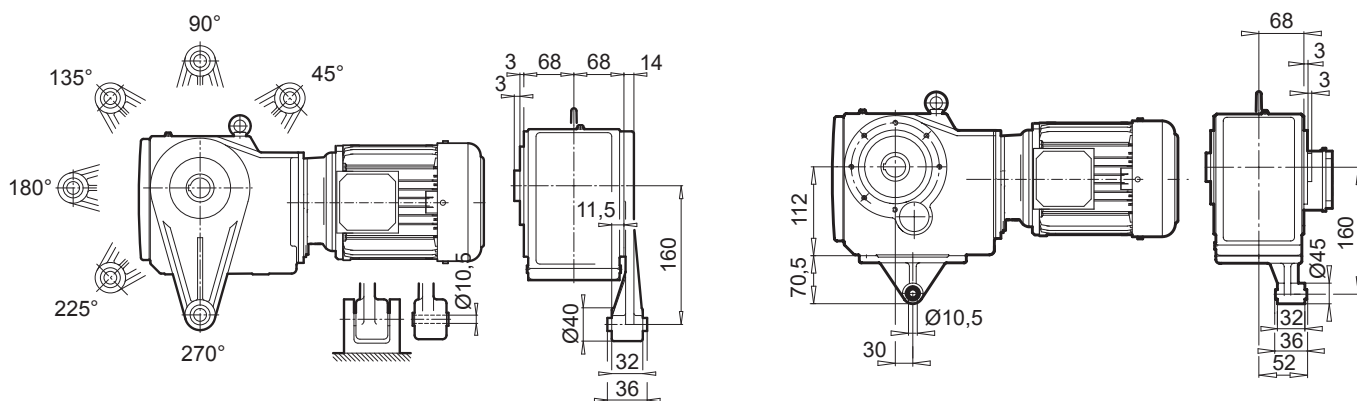
SK 9012.1AZB (AFB)

SK 9012.1AZSH (AFSH)





SK 9012.1AZD

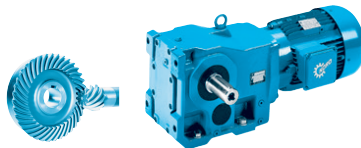
SK 9012.1AZK



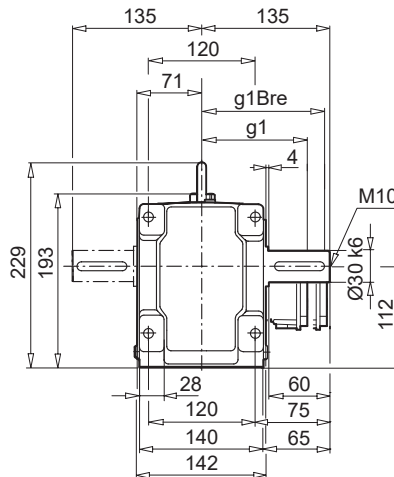
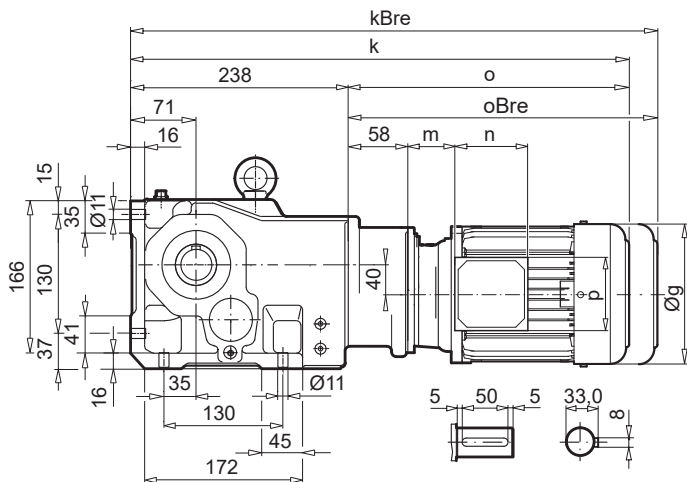
Helical-bevel gear units

⇒ A61	63 S/L	71 S/L	80 SH	80 LP	90 SP/LP	100 LP/AP	112 MP		
g	130	145	165	165	183	201	228		
g1 / g1Bre	115 / 123	124 / 132	142 / 142	142 / 142	147 / 147	169 / 173	179 / 182		W ⇒ E120
k1 / k1Bre	445 / 501	485 / 543	510 / 574	510 / 574	551 / 626	581 / 672	629 / 722		
o / oBre	196 / 252	236 / 294	261 / 325	261 / 325	302 / 377	332 / 423	380 / 473		IEC ⇒ A12
m / mBre	16 / 22	42 / 48	47 / 50	47 / 50	52 / 56	58 / 62	64 / 67		
n / nBre	100 / 134	100 / 134	114 / 153	114 / 153	114 / 153	114 / 153	114 / 153		
p / pBre	100 / 89	100 / 89	114 / 108	114 / 108	114 / 108	114 / 108	114 / 108		

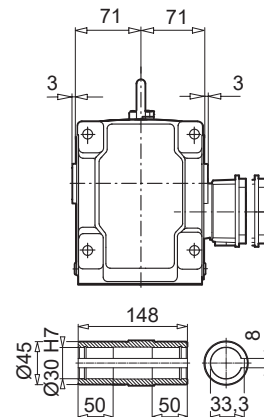
SK 9013.1



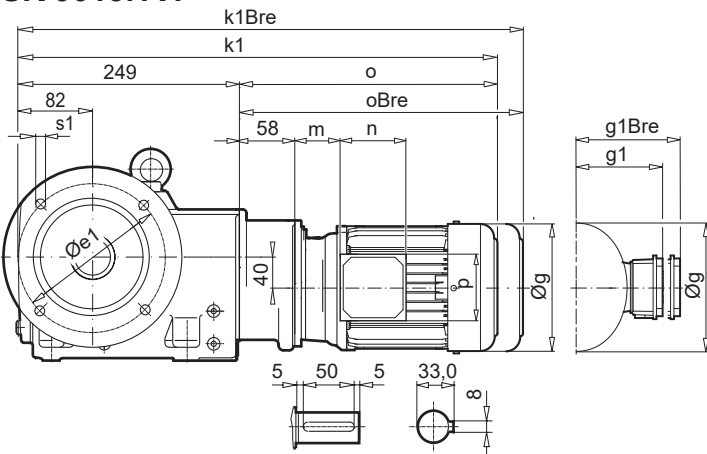
SK 9013.1



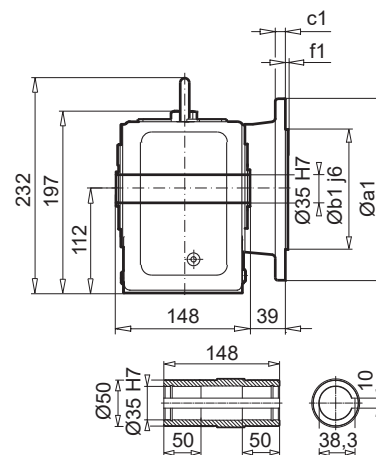
SK 9013.1AX



SK 9013.1VF

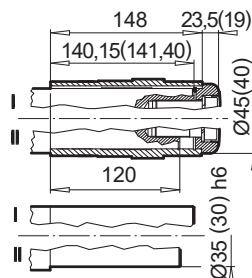


SK 9013.1AF



a1	b1	c1	e1	f1	s1
200	130	12	165	3,5	4 x 11

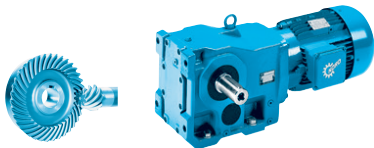
SK 9013.1AFB (AXB)



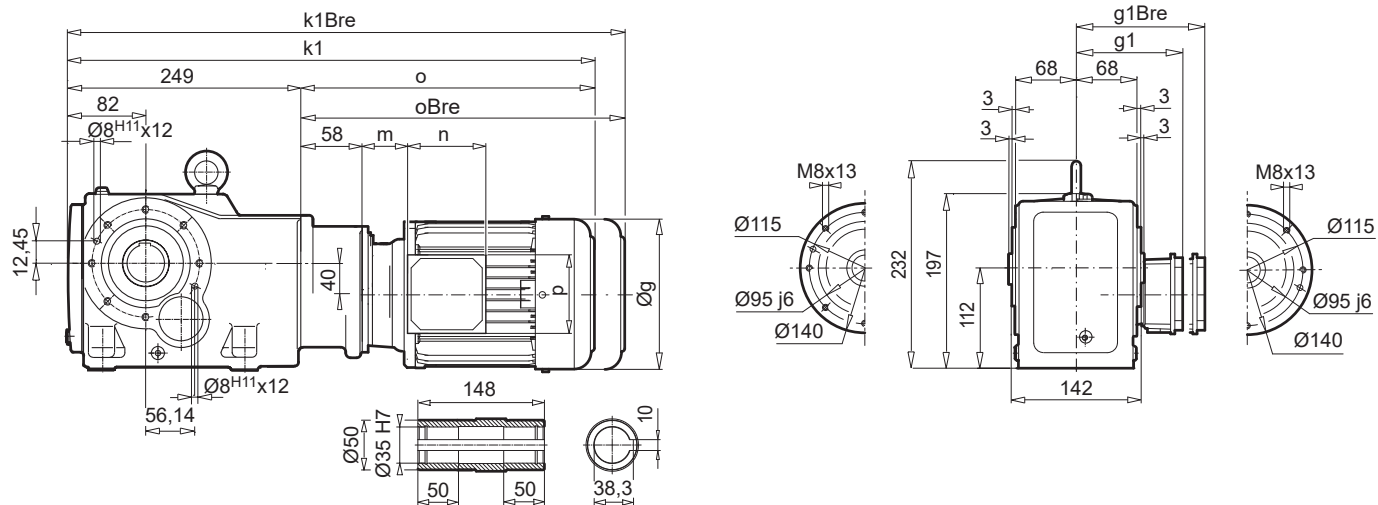
⇒ A61	63 S/L	71 S/L					
g	130	145					
g1 / g1Bre	115 / 123	124 / 132					
k / kBre	492 / 548	532 / 590					
k1 / k1Bre	503 / 559	543 / 601					
o / oBre	196 / 252	236 / 294					
m / mBre	16 / 22	42 / 48					
n / nBre	100 / 134	100 / 134					
p / pBre	100 / 89	100 / 89					

W ⇒ E120

IEC ⇒ A12



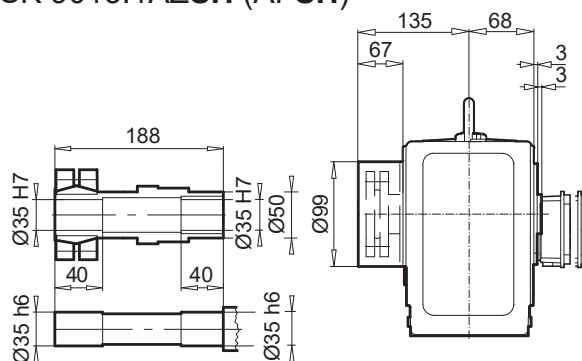
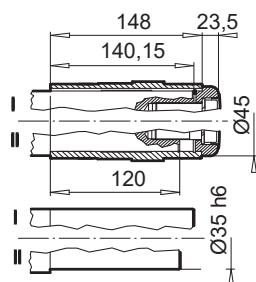
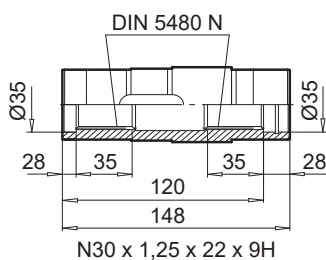
SK 9013.1AZ



SK 9013.1AZEA

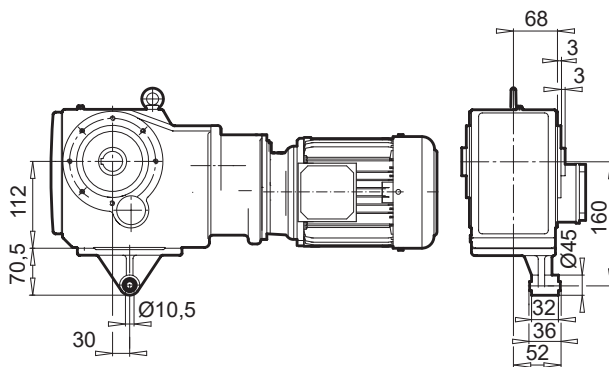
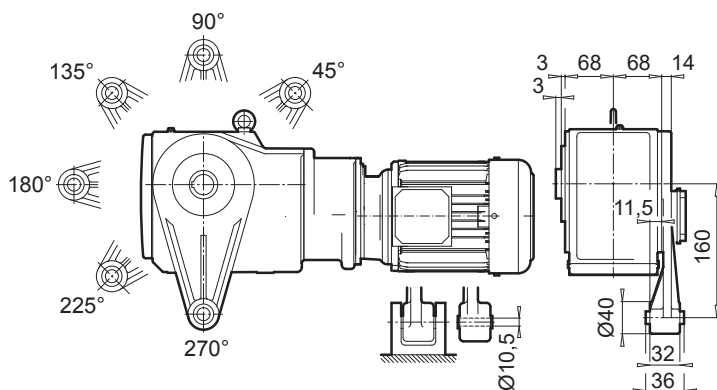
SK 9013.1AZB (AFB)

SK 9013.1AZSH (AFSH)



SK 9013.1AZD

SK 9013.1AZK

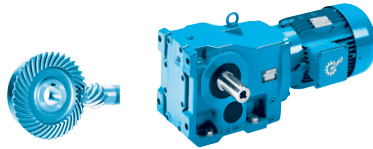


Helical-bevel gear units

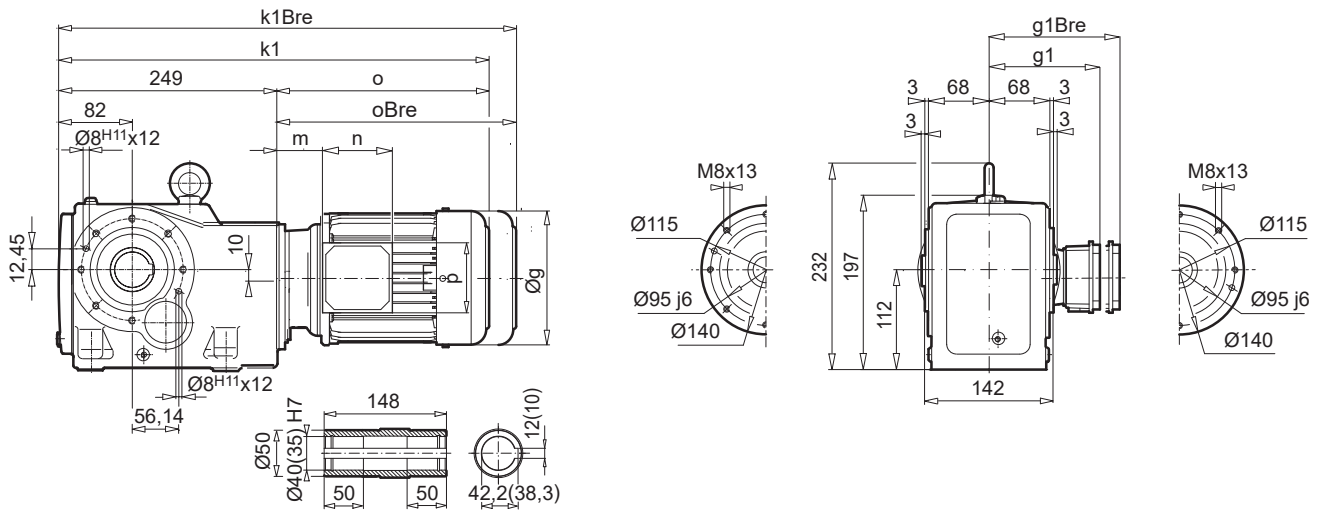
⇒ A61	63 S/L	71 S/L					
g	130	145					
g1 / g1Bre	115 / 123	124 / 132					
k1 / k1Bre	503 / 559	543 / 601					
o / oBre	196 / 252	236 / 294					
m / mBre	16 / 22	42 / 48					
n / nBre	100 / 134	100 / 134					
p / pBre	100 / 89	100 / 89					

W⇒ E120

IEC ⇒ A12



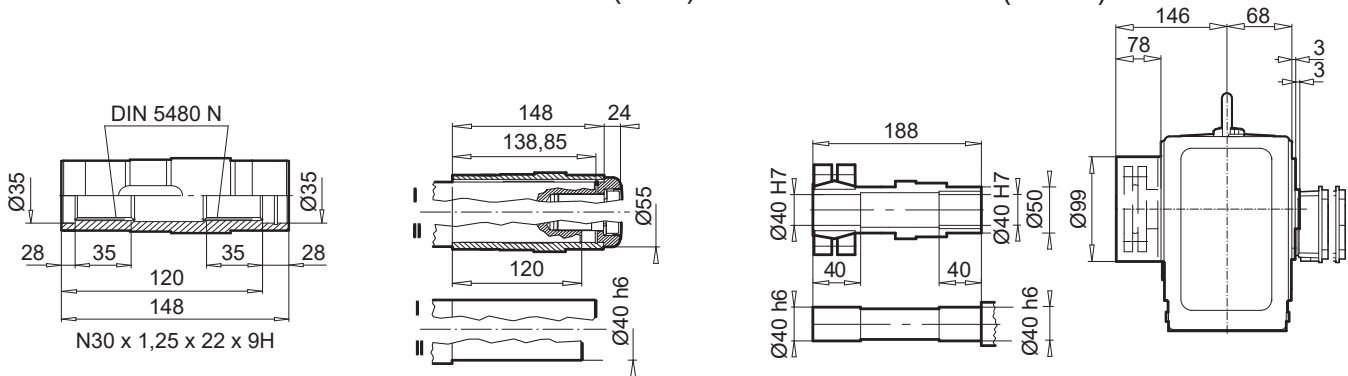
SK 9016.1AZ



SK 9016.1AZEA

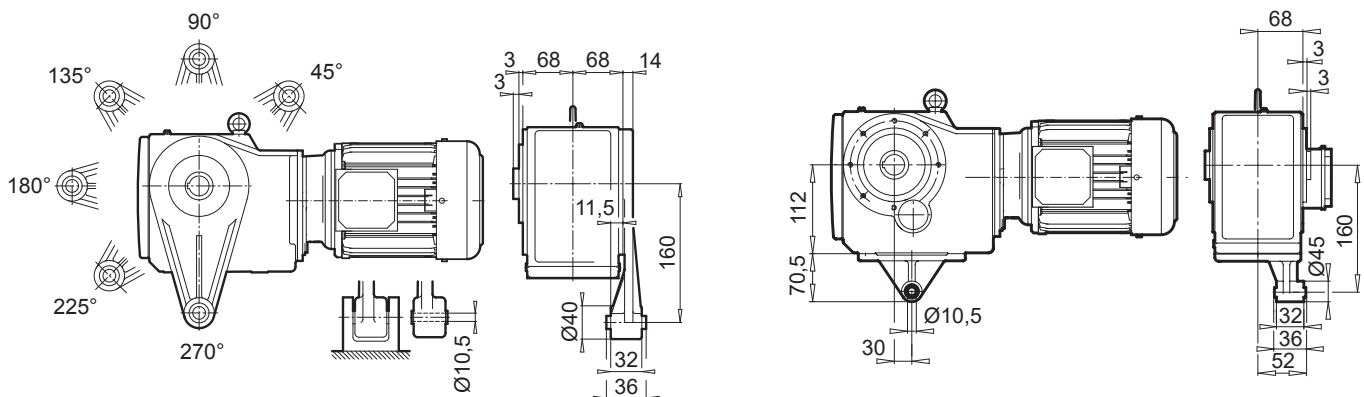
SK 9016.1AZB (AFB)

SK 9016.1AZSH (AFSH)





SK 9016.1AZD

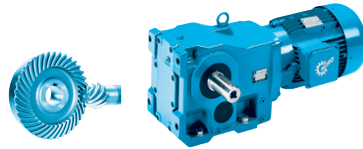
SK 9016.1AZK



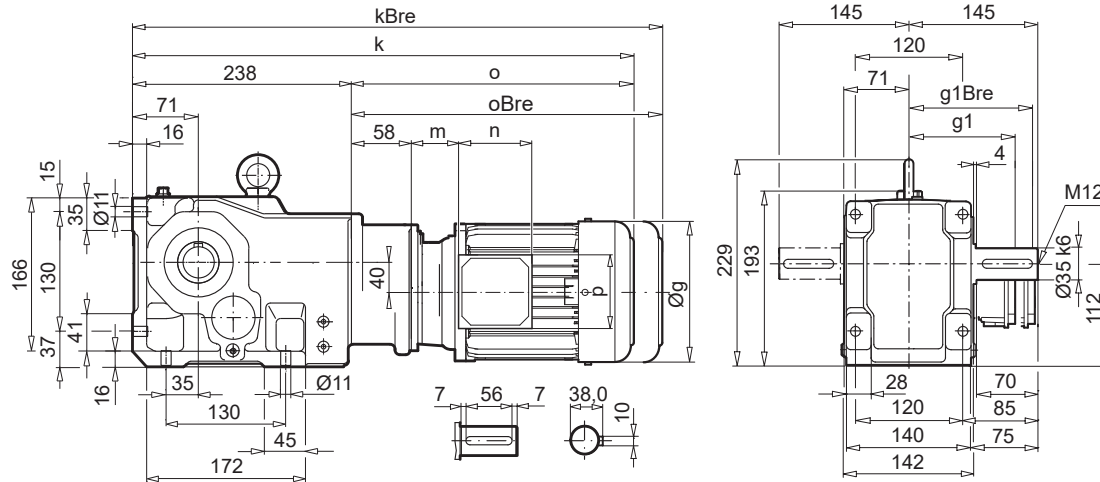
Helical-bevel gear units

⇒ A61	63 S/L	71 S/L	80 S/SH	80 LP	90 SP/LP	100 LP/AP	112 MP	
g	130	145	165	165	183	201	228	 W ⇒ E120  IEC ⇒ A12
g1 / g1Bre	115 / 123	124 / 132	142 / 142	142 / 142	147 / 147	169 / 173	179 / 182	
k1 / k1Bre	445 / 501	485 / 543	510 / 574	510 / 574	551 / 626	581 / 672	629 / 722	
o / oBre	196 / 252	236 / 294	261 / 325	261 / 325	302 / 377	332 / 423	380 / 473	
m / mBre	16 / 22	42 / 48	47 / 50	47 / 50	52 / 56	58 / 62	64 / 67	
n / nBre	100 / 134	100 / 134	114 / 153	114 / 153	114 / 153	114 / 153	114 / 153	
p / pBre	100 / 89	100 / 89	114 / 108	114 / 108	114 / 108	114 / 108	114 / 108	

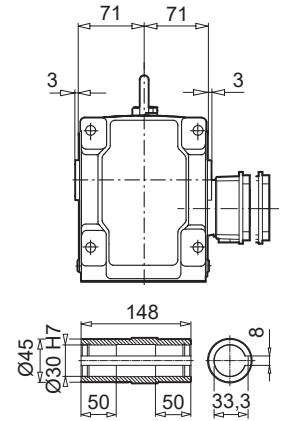
SK 9017.1



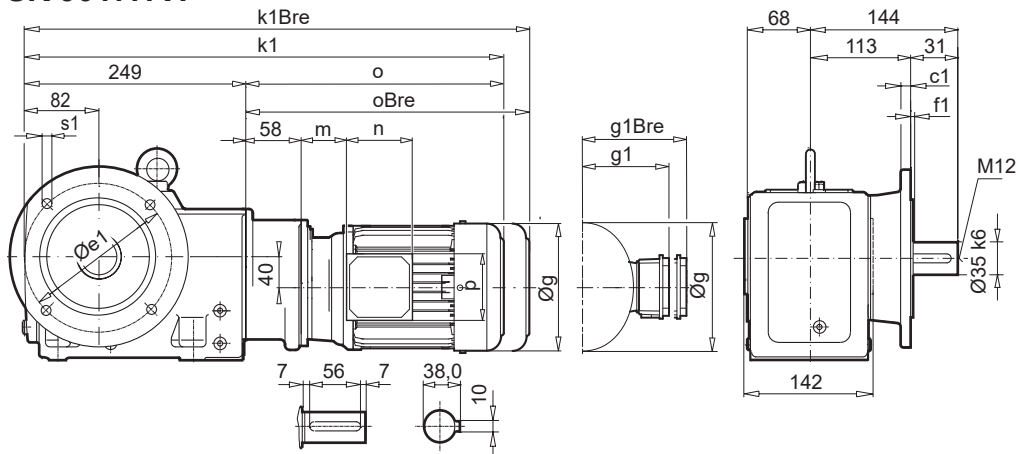
SK 9017.1



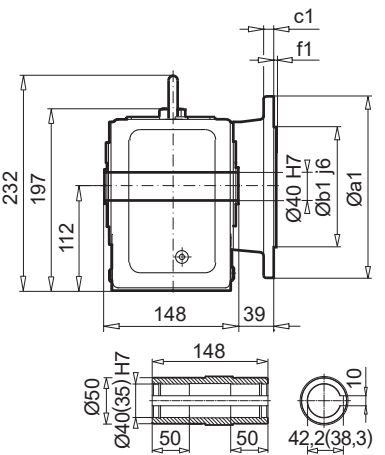
SK 9017.1AX



SK 9017.1VF

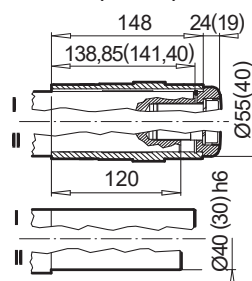


SK 9017.1AF



a1	b1	c1	e1	f1	s1
200	130	12	165	3,5	4 x 11

SK 9017.1AFB (AXB)

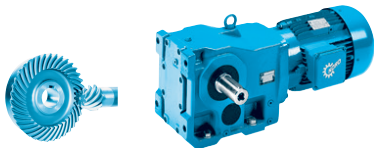


⇒ A61	63 S/L	71 S/L					
g	130	145					
g1 / g1Bre	115 / 123	124 / 132					
k / kBre	492 / 548	532 / 590					
k1 / k1Bre	503 / 559	543 / 601					
o / oBre	196 / 252	236 / 294					
m / mBre	16 / 22	42 / 48					
n / nBre	100 / 134	100 / 134					
p / pBre	100 / 89	100 / 89					

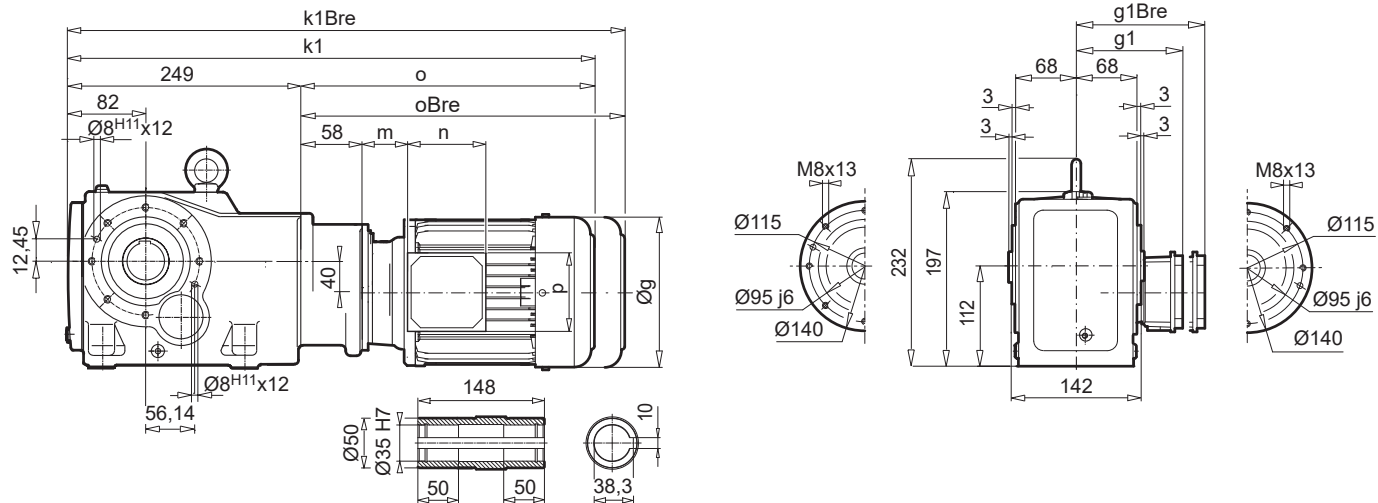
W ⇒ E120

IEC ⇒ A12

Helical-bevel gear units



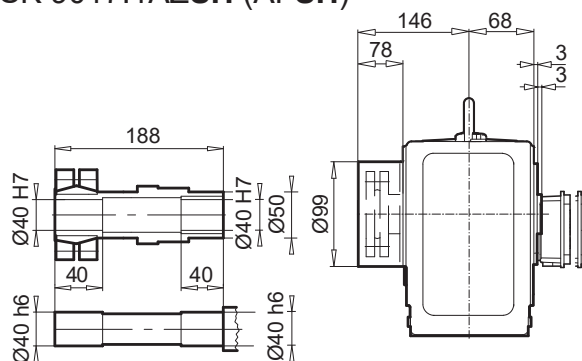
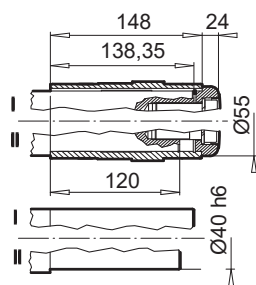
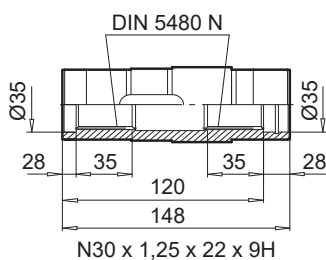
SK 9017.1AZ



SK 9017.1AZEA

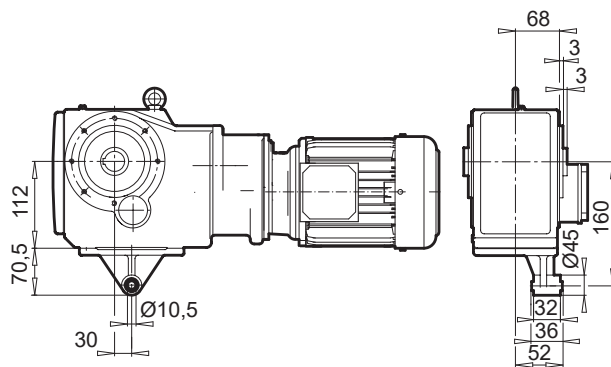
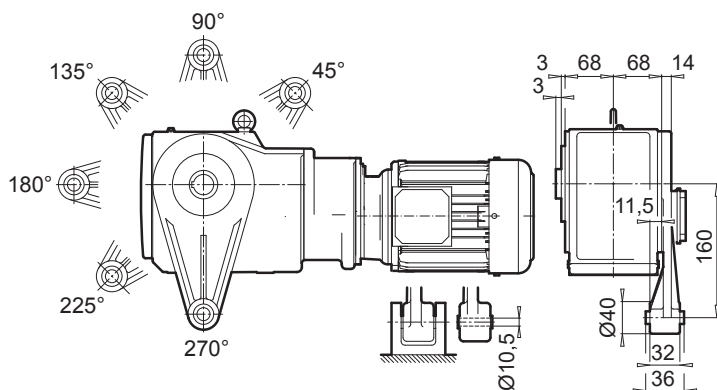
SK 9017.1AZB (AFB)

SK 9017.1AZSH (AFSH)



SK 9017.1AZD

SK 9017.1AZK



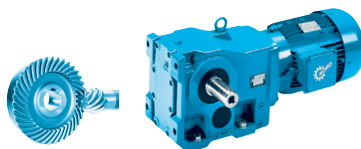
Helical-bevel
gear units

⇒ A61	63 S/L	71 S/L					
g	130	145					
g1 / g1Bre	115 / 123	124 / 132					
k1 / k1Bre	503 / 559	543 / 601					
o / oBre	196 / 252	236 / 294					
m / mBre	16 / 22	42 / 48					
n / nBre	100 / 134	100 / 134					
p / pBre	100 / 89	100 / 89					

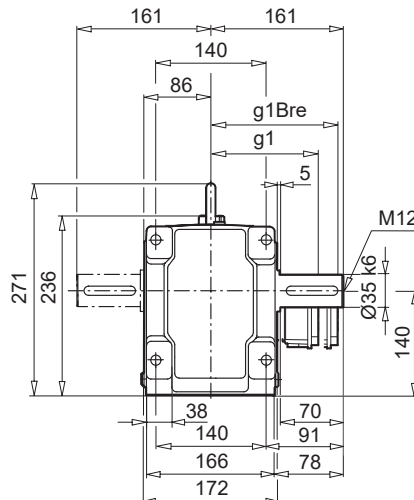
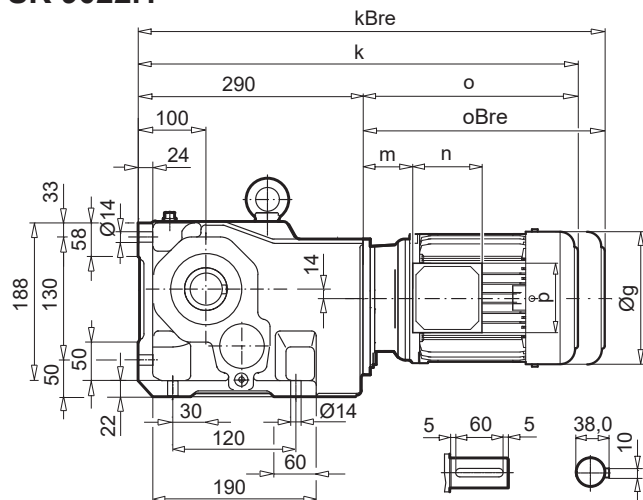
W⇒ E120

IEC ⇒ A12

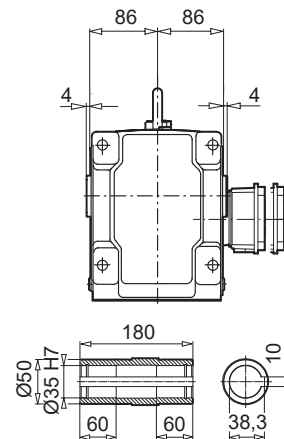
SK 9022.1



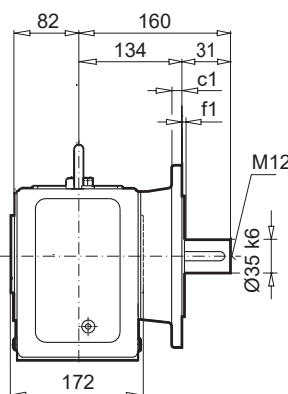
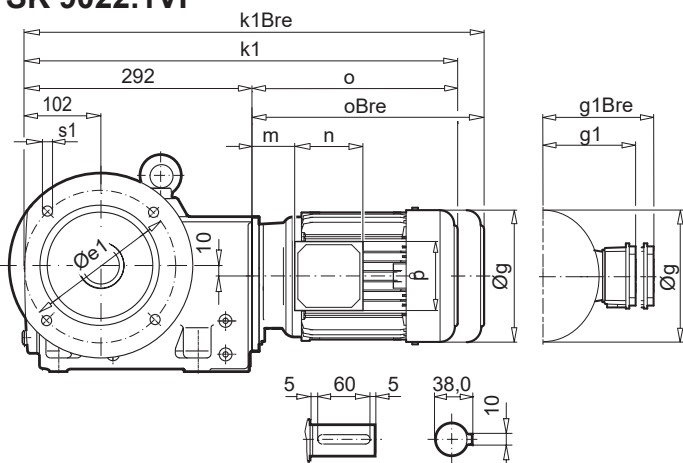
SK 9022.1



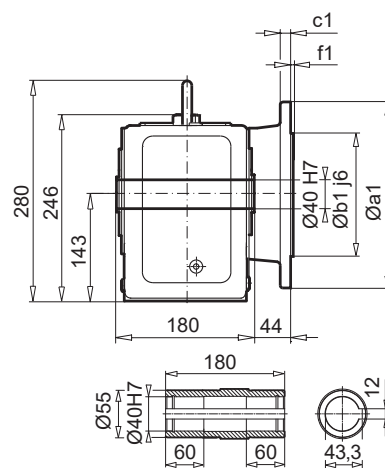
SK 9022.1AX



SK 9022.1VF

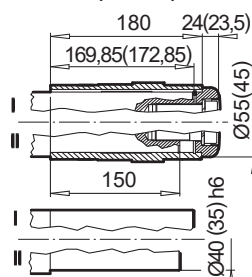


SK 9022.1AF



a1	b1	c1	e1	f1	s1
250	180	16	215	4	4 x 14

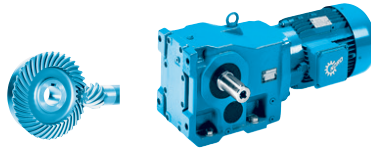
SK 9022.1AFB (AXB)



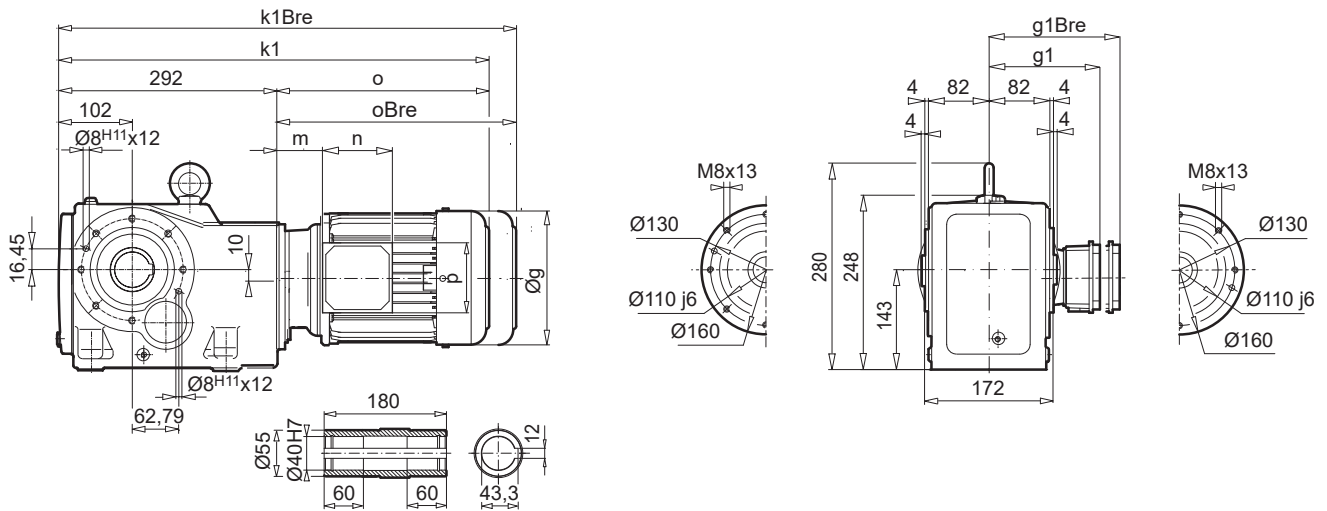
⇒ A61	71 S/L	80 S/SH	80 LP	90 SP/LP	100 LP/AP	112 MP	
g	145	165	165	183	201	228	
g1 / g1Bre	124 / 132	142 / 142	142 / 142	147 / 147	169 / 173	179 / 182	
k / kBre	526 / 584	551 / 615	551 / 615	592 / 667	622 / 713	670 / 763	
k1 / k1Bre	528 / 586	553 / 617	553 / 617	594 / 669	624 / 715	672 / 765	
o / oBre	236 / 294	261 / 325	261 / 325	302 / 377	332 / 423	380 / 473	
m / mBre	42 / 48	47 / 50	47 / 50	52 / 56	58 / 62	64 / 67	
n / nBre	100 / 134	114 / 153	114 / 153	114 / 153	114 / 153	114 / 153	
p / pBre	100 / 89	114 / 108	114 / 108	114 / 108	114 / 108	114 / 108	

W ⇒ E120

IEC ⇒ A12



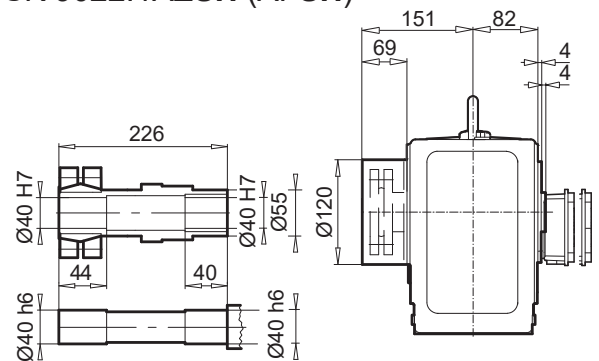
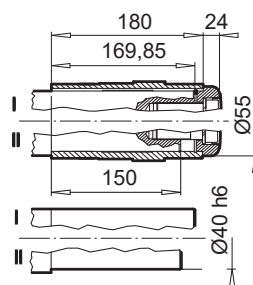
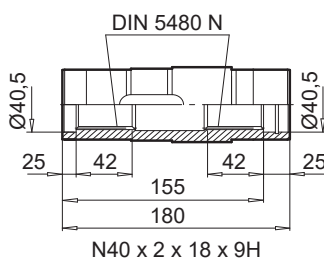
SK 9022.1AZ



SK 9022.1AZEA

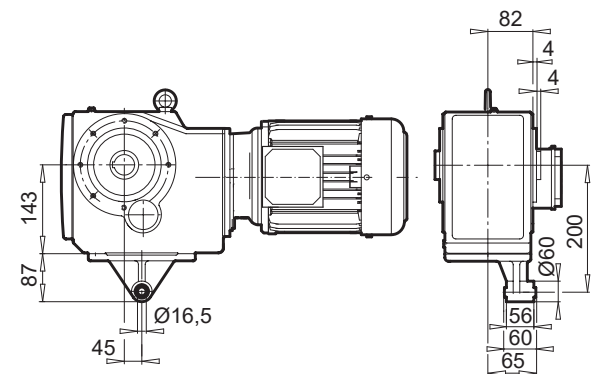
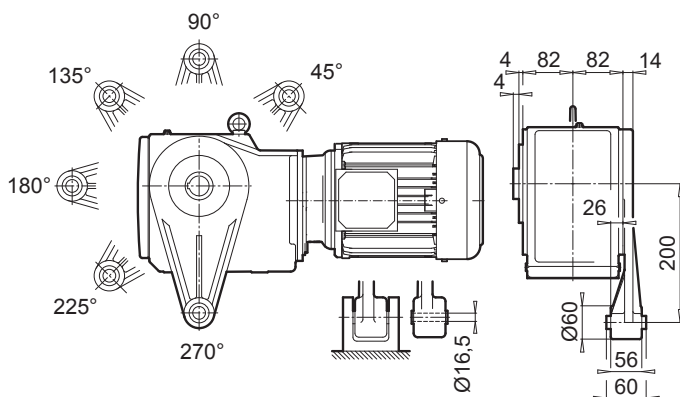
SK 9022.1AZB (AFB)

SK 9022.1AZSH (AFSH)





SK 9022.1AZD

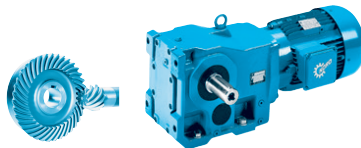
SK 9022.1AZK



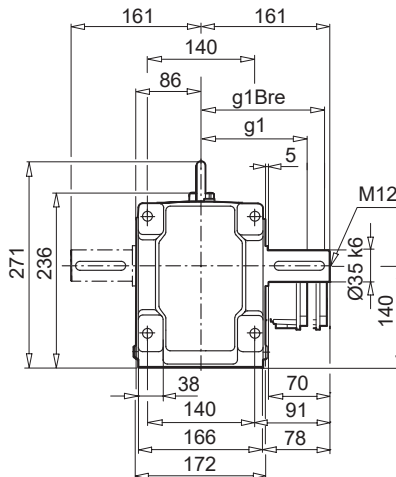
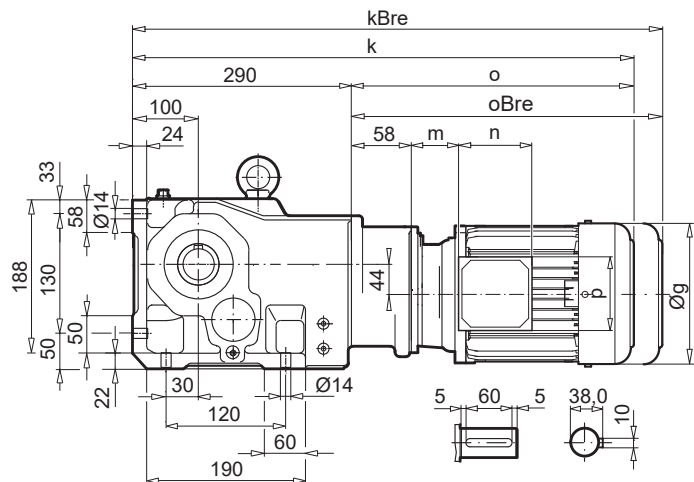
Helical-bevel gear units

⇒ A61	71 S/L	80 S/SH	80 LP	90 SP/LP	100 LP/AP	112 MP	
g	145	165	165	183	201	228	
g1 / g1Bre	124 / 132	142 / 142	142 / 142	147 / 147	169 / 173	179 / 182	 W⇒ E120
k1 / k1Bre	528 / 586	553 / 617	553 / 617	594 / 669	624 / 715	672 / 765	 IEC ⇒ A12
o / oBre	236 / 294	261 / 325	261 / 325	302 / 377	332 / 423	380 / 473	
m / mBre	42 / 48	47 / 50	47 / 50	52 / 56	58 / 62	64 / 67	
n / nBre	100 / 134	114 / 153	114 / 153	114 / 153	114 / 153	114 / 153	
p / pBre	100 / 89	114 / 108	114 / 108	114 / 108	114 / 108	114 / 108	

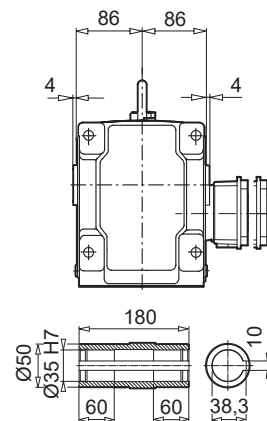
SK 9023.1



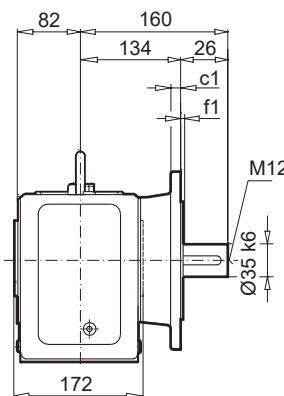
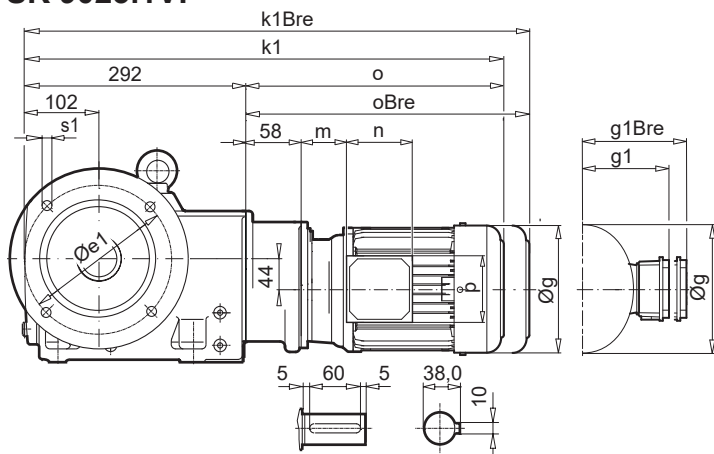
SK 9023.1



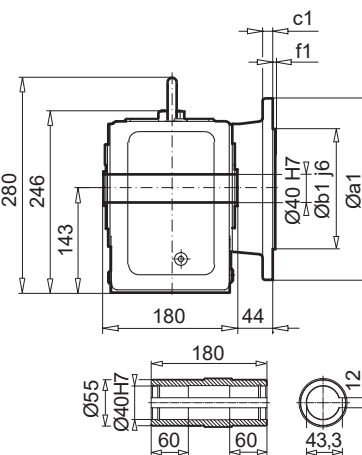
SK 9023.1AX



SK 9023.1VF

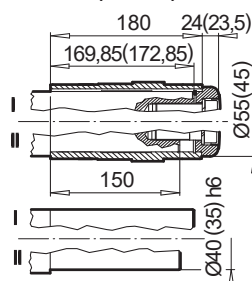


SK 9023.1AF



a1	b1	c1	e1	f1	s1
250	180	16	215	4	4 x 14

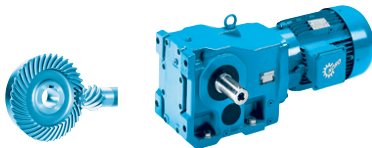
SK 9023.1AFB (AXB)



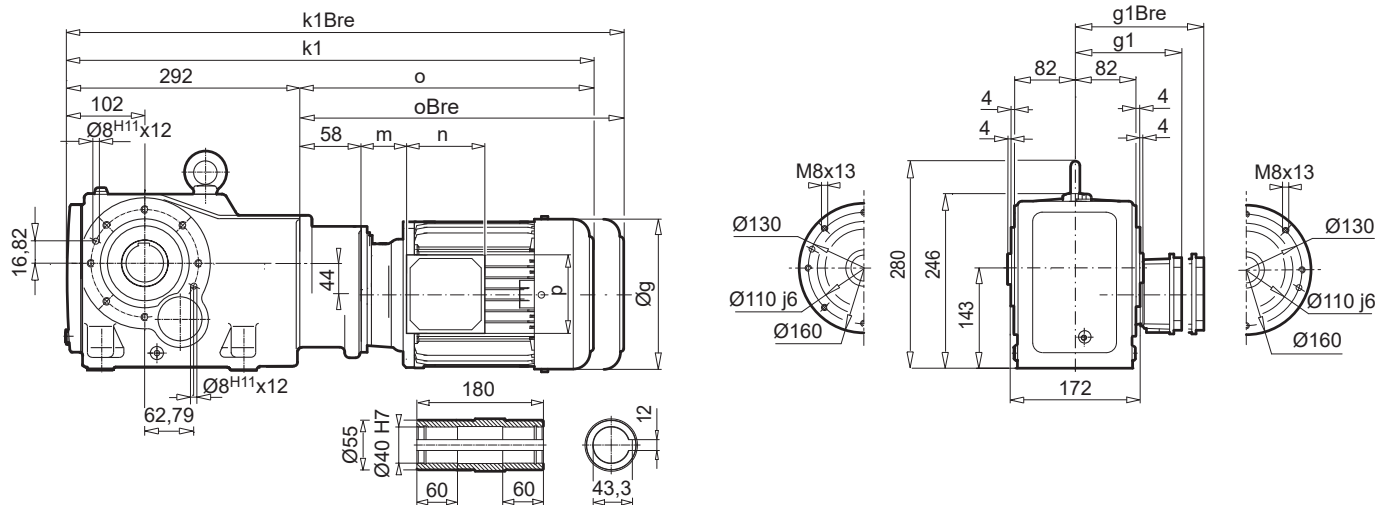
⇒ A61	63 S/L	71 S/L					
g	130	145					
g1 / g1Bre	115 / 123	124 / 132					
k / kBre	544 / 600	584 / 642					
k1 / k1Bre	546 / 602	586 / 644					
o / oBre	196 / 252	236 / 294					
m / mBre	16 / 22	42 / 48					
n / nBre	100 / 134	100 / 134					
p / pBre	100 / 89	100 / 89					

W ⇒ A E120

IEC ⇒ A12



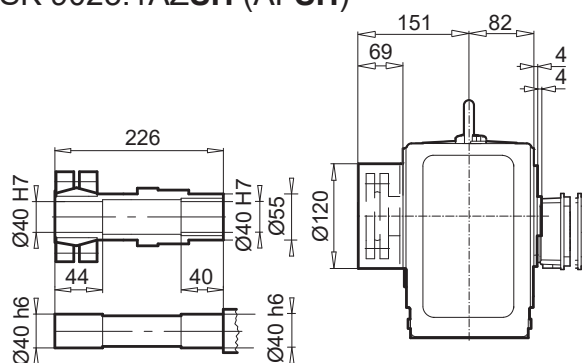
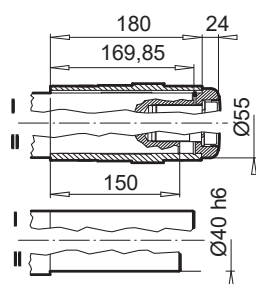
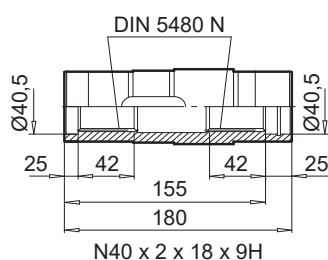
SK 9023.1AZ



SK 9023.1AZEA

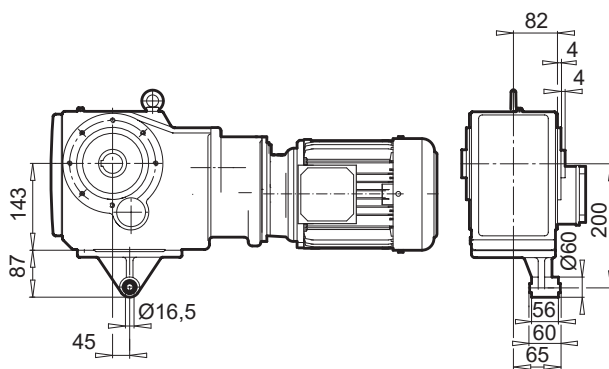
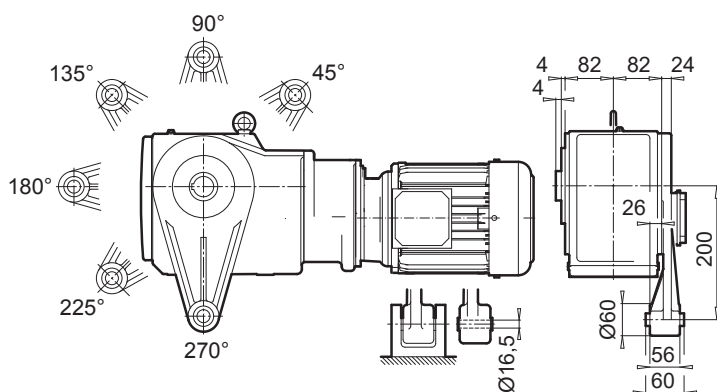
SK 9023.1AZB (AFB)

SK 9023.1AZSH (AFSH)



SK 9023.1AZD

SK 9023.1AZK



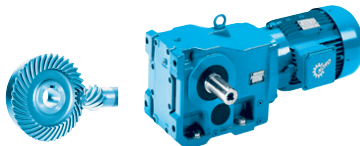
Helical-bevel gear units

⇒ A61	63 S/L	71 S/L					
g	130	145					
g1 / g1Bre	115 / 123	124 / 132					
k1 / k1Bre	546 / 602	586 / 644					
o / oBre	196 / 252	236 / 294					
m / mBre	16 / 22	42 / 48					
n / nBre	100 / 134	100 / 134					
p / pBre	100 / 89	100 / 89					

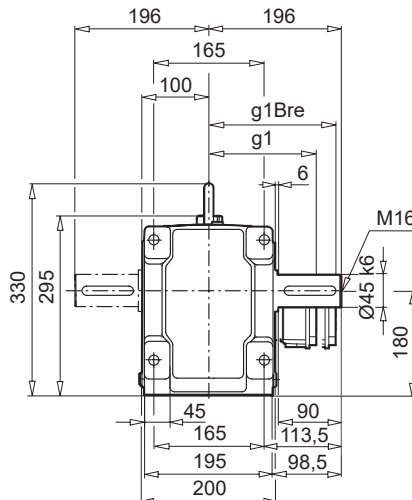
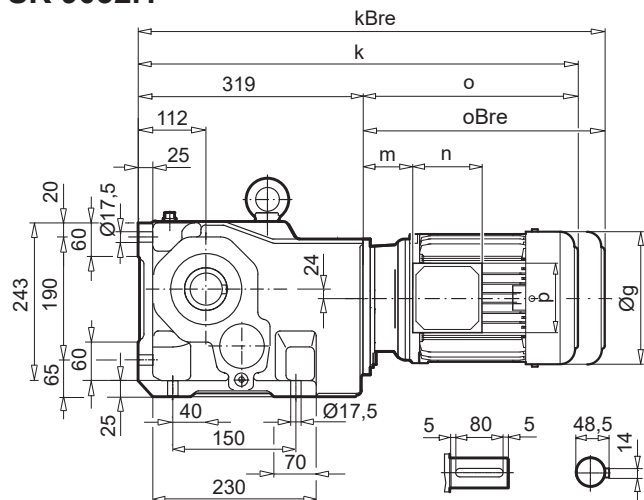
W⇒ E120

IEC ⇒ A12

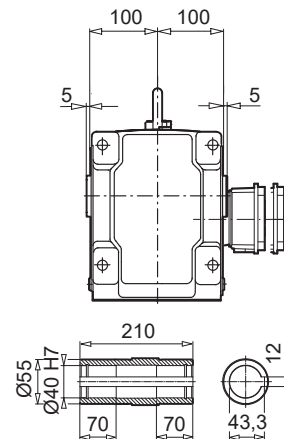
SK 9032.1



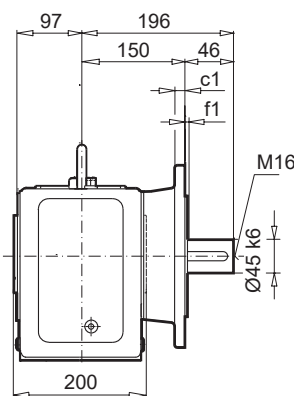
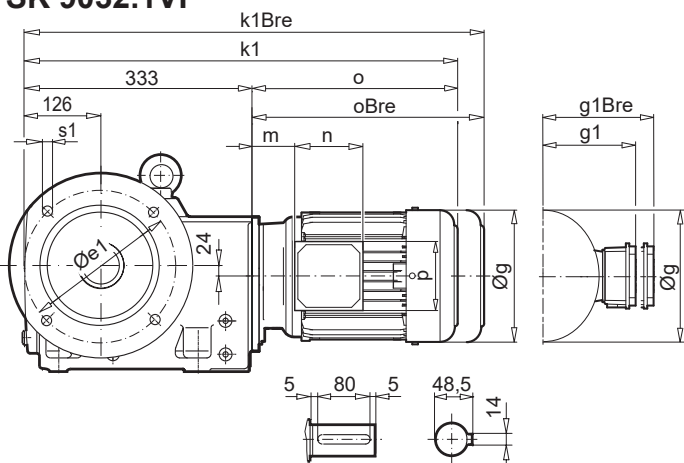
SK 9032.1



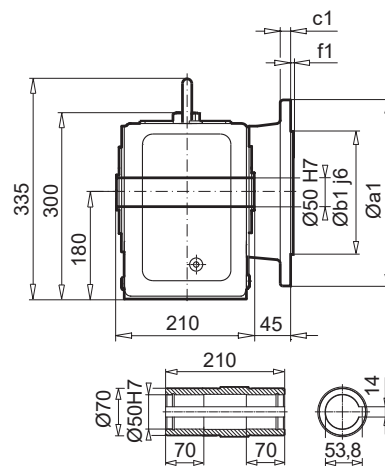
SK 9032.1AX



SK 9032.1VF

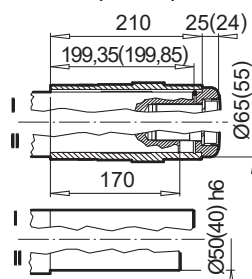


SK 9032.1AF



a1	b1	c1	e1	f1	s1
250	180	15	215	4	4 x 13,5
300	230	20	265	4	4 x 14

SK 9032.1AFB (AXB)

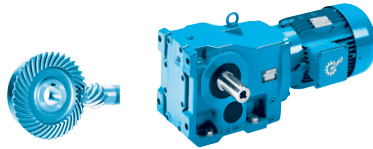


⇒ A61	71 S/L	80 SH	80 LP	90 SP/LP	100 LP/AP	112 MP	132 SP/MP	
g	145	165	165	183	201	228	266	
g1 / g1Bre	124 / 132	142 / 142	142 / 142	147 / 147	169 / 173	179 / 182	204 / 201	
k / kBre	549 / 607	574 / 638	574 / 638	615 / 690	645 / 736	693 / 786	754 / 861	
k1 / k1Bre	563 / 621	588 / 652	588 / 652	629 / 704	659 / 750	707 / 800	768 / 875	
o / oBre	230 / 288	255 / 319	255 / 319	296 / 371	326 / 417	374 / 467	435 / 542	
m / mBre	36 / 42	41 / 45	41 / 45	46 / 50	52 / 56	58 / 61	71 / 62	
n / nBre	100 / 134	114 / 153	114 / 153	114 / 153	114 / 153	114 / 153	122 / 185	
p / pBre	100 / 89	114 / 108	114 / 108	114 / 108	114 / 108	114 / 108	122 / 139	

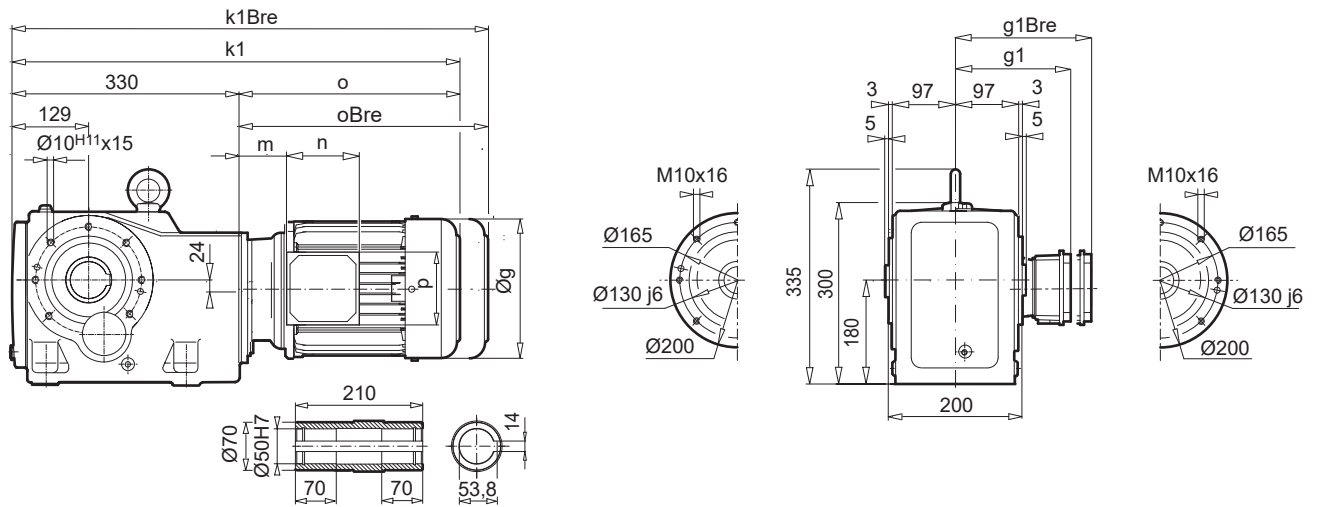


W ⇒ E121
IEC ⇒ A12





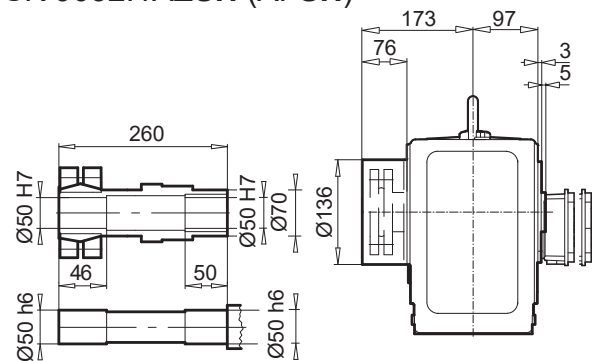
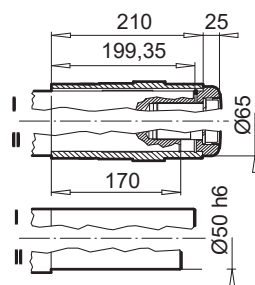
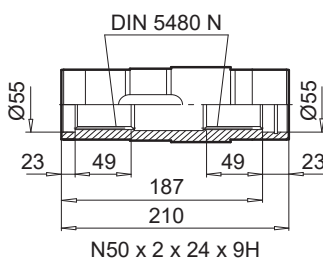
SK 9032.1AZ



SK 9032.1AZEA

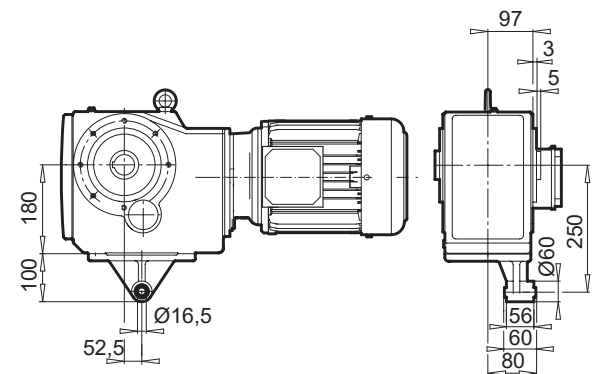
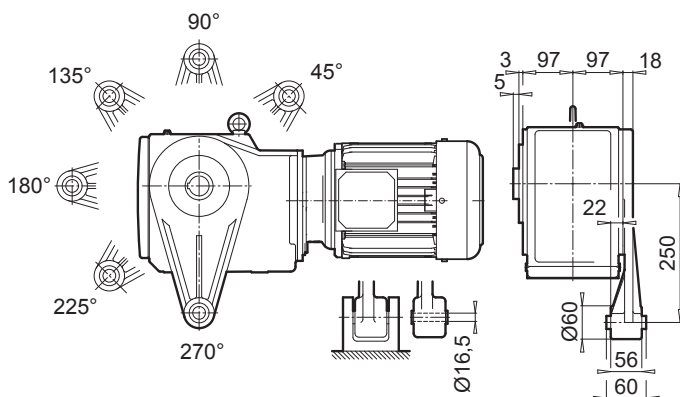
SK 9032.1AZB (AFB)

SK 9032.1AZSH (AFSH)





SK 9032.1AZD

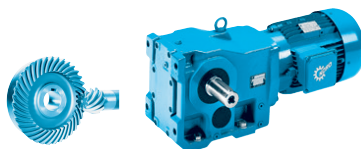
SK 9032.1AZK



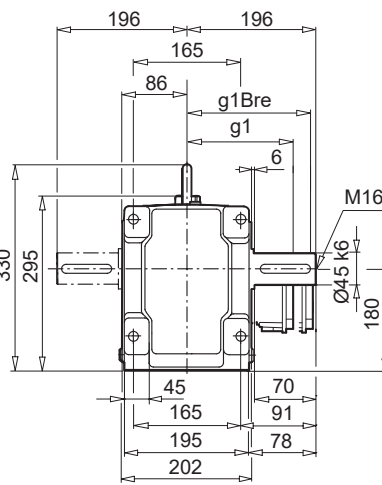
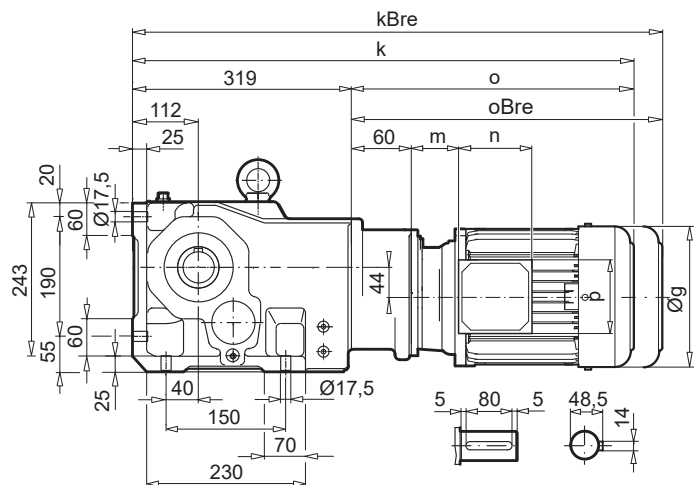
Helical-bevel
gear units

⇒ A61	71 S/L	80 SH	80 LP	90 SP/LP	100 LP/AP	112 MP	132 SP/MP	
g	145	165	165	183	201	228	266	 W⇒ E121 IEC ⇒ A12 
g1 / g1Bre	124 / 132	142 / 142	142 / 142	147 / 147	169 / 173	179 / 182	204 / 201	
k1 / k1Bre	563 / 621	588 / 652	588 / 652	629 / 704	659 / 750	707 / 800	768 / 875	
o / oBre	230 / 288	255 / 319	255 / 319	296 / 371	326 / 417	374 / 467	435 / 542	
m / mBre	36 / 42	41 / 45	41 / 45	46 / 50	52 / 56	58 / 61	71 / 62	
n / nBre	100 / 134	114 / 153	114 / 153	114 / 153	114 / 153	114 / 153	122 / 185	
p / pBre	100 / 89	114 / 108	114 / 108	114 / 108	114 / 108	114 / 108	122 / 139	

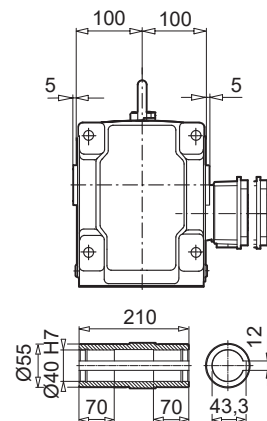
SK 9033.1



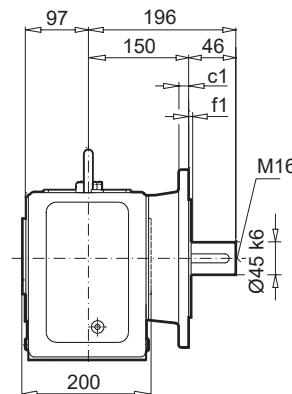
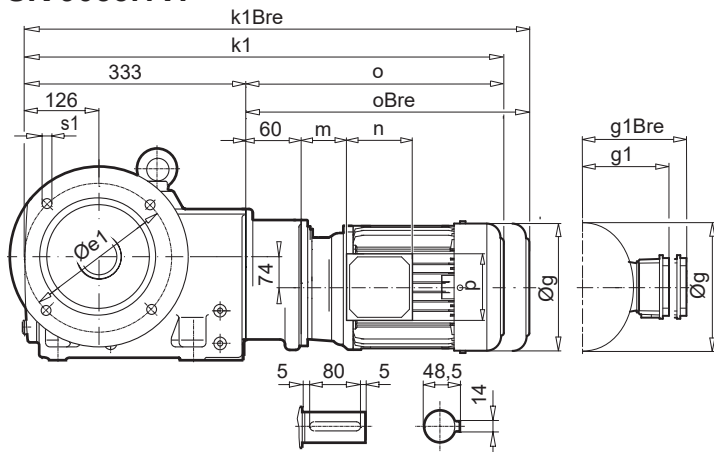
SK 9033.1



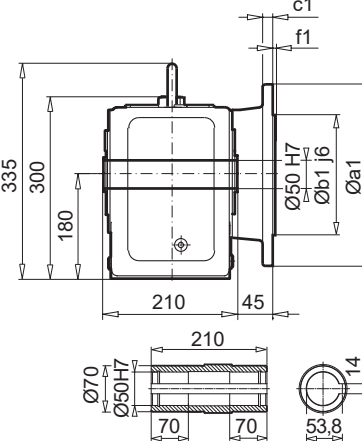
SK 9033.1AX



SK 9033.1VF

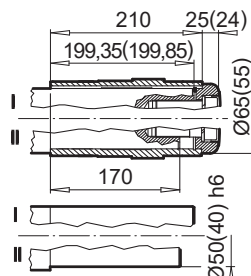


SK 9033.1AF



a1	b1	c1	e1	f1	s1
250	180	15	215	4	4 x 13,5
300	230	20	265	4	4 x 14

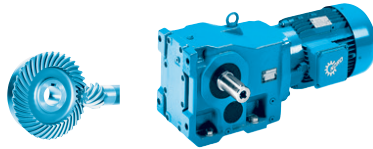
SK 9033.1AFB (AXB)



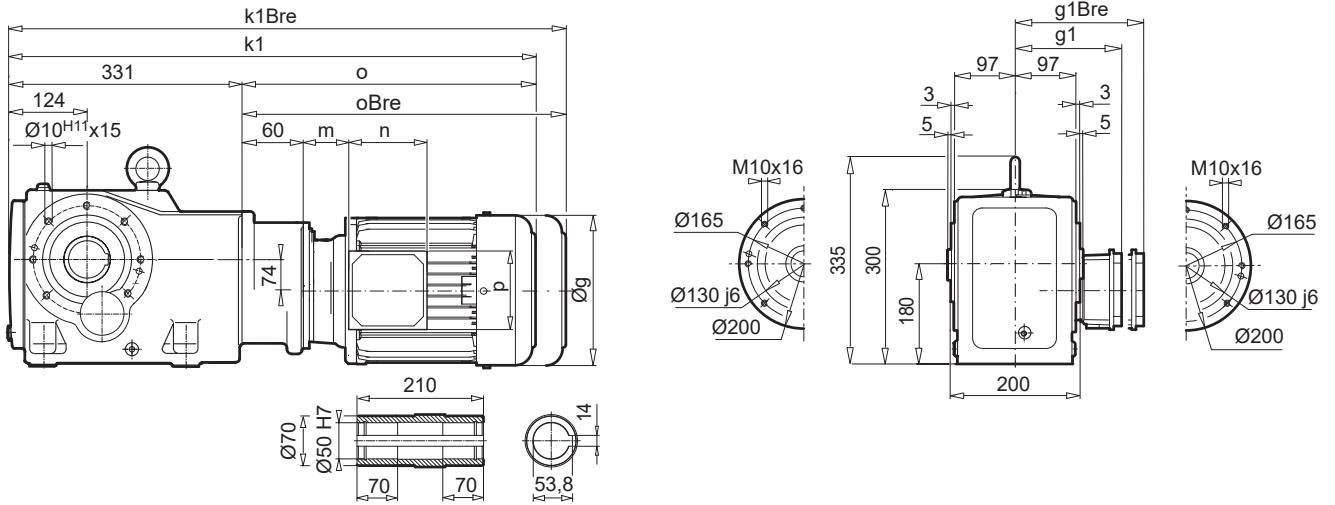
⇒ A61	63 S/L	71 S/L	80 SH	80 LP	90 SP		
g	130	145	165	165	183		
g1 / g1Bre	115 / 123	124 / 132	142 / 142	142 / 142	147 / 147		
k / kBre	575 / 631	615 / 673	640 / 704	640 / 704	681 / 756		
k1 / k1Bre	589 / 645	629 / 687	654 / 718	654 / 718	695 / 770		
o / oBre	196 / 252	236 / 294	261 / 325	261 / 325	302 / 377		
m / mBre	16 / 22	42 / 48	47 / 51	47 / 51	52 / 56		
n / nBre	100 / 134	100 / 134	114 / 153	114 / 153	114 / 153		
p / pBre	100 / 89	100 / 89	114 / 108	114 / 108	114 / 108		

W⇒ E120

IEC ⇒ A12



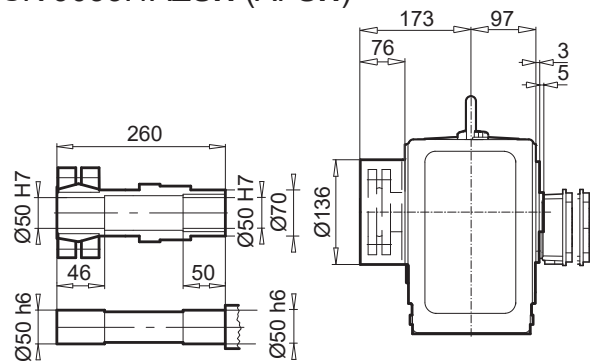
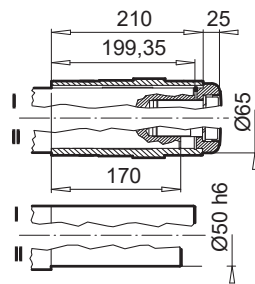
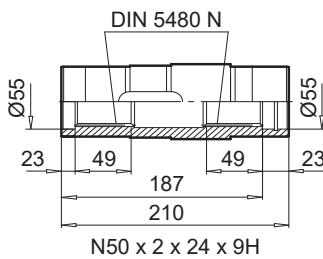
SK 9033.1AZ



SK 9033.1AZEA

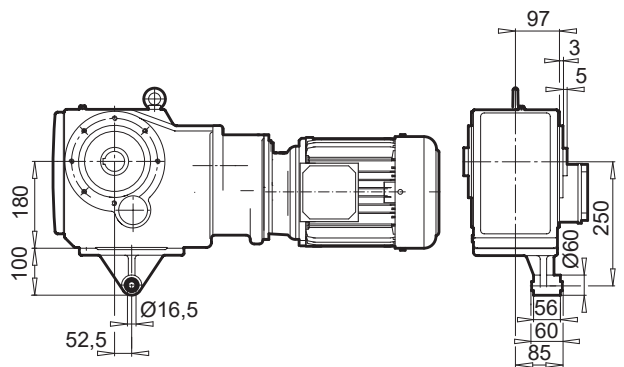
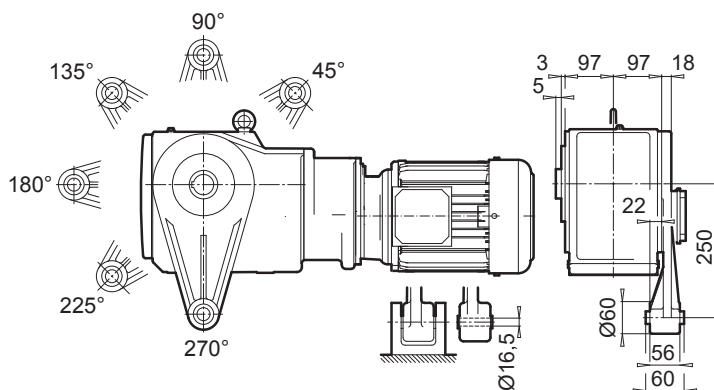
SK 9033.1AZB (AFB)

SK 9033.1AZSH (AFSH)



SK 9033.1AZD

SK 9033.1AZK



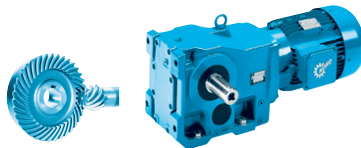
Helical-bevel gear units

⇒ A61	63 S/L	71 S/L	80 SH	80 LP	90 SP		
g	130	145	165	165	183		
g1 / g1Bre	115 / 123	124 / 132	142 / 142	142 / 142	147 / 147		
k1 / k1Bre	589 / 645	629 / 687	654 / 718	654 / 718	695 / 770		
o / oBre	196 / 252	236 / 294	261 / 325	261 / 325	302 / 377		
m / mBre	16 / 22	42 / 48	47 / 51	47 / 51	52 / 56		
n / nBre	100 / 134	100 / 134	114 / 153	114 / 153	114 / 153		
p / pBre	100 / 89	100 / 89	114 / 108	114 / 108	114 / 108		

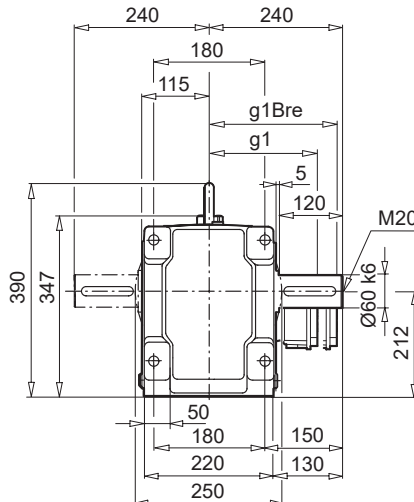
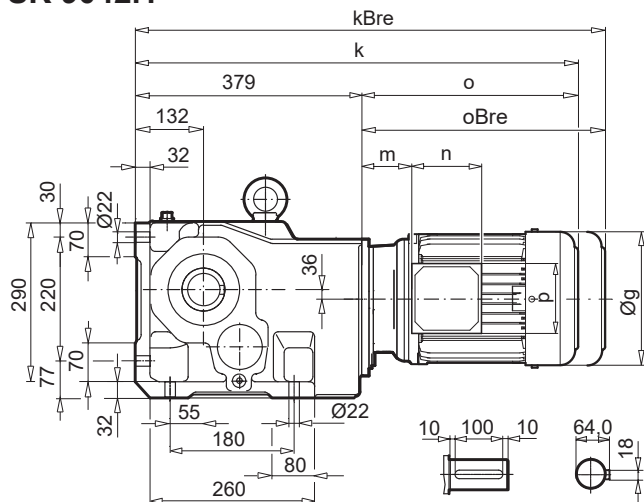


W⇒ E120
IEC ⇒ A12

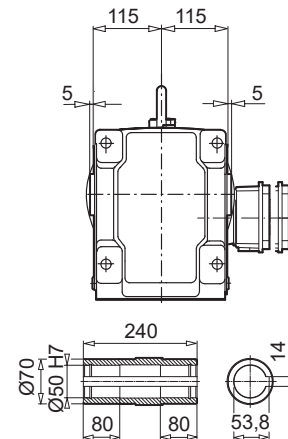
SK 9042.1



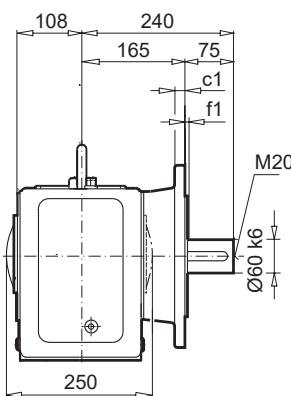
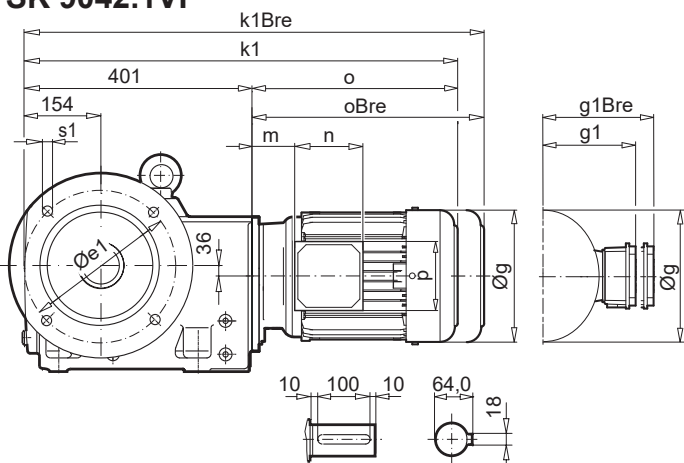
SK 9042.1



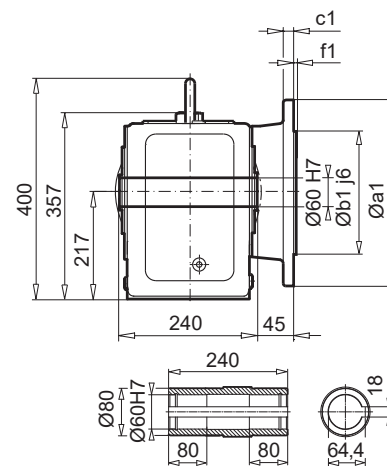
SK 9042.1AX



SK 9042.1VF

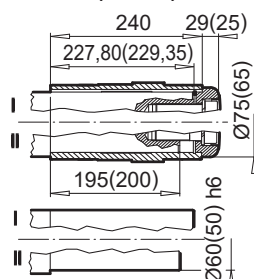


SK 9042.1AF



a1	b1	c1	e1	f1	s1
350	250	20	300	5	4 x 18

SK 9042.1AFB (AXB)

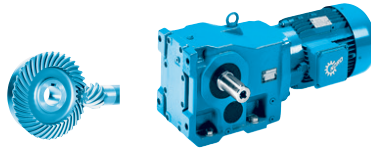


⇒ A61	90 SP/LP	100 LP/AP	112 MP	132 SP/MP	160 SP/MP	160 LP	180 MP/LP
g	183	201	228	266	320	320	358
g1 / g1Bre	147 / 147	169 / 173	179 / 182	204 / 201	242 / 242	242 / 242	259 / 259
k / kBre	655 / 730	685 / 776	733 / 826	794 / 901	871 / 1006	915 / 1050	1013 / 1040
k1 / k1Bre	677 / 752	707 / 798	755 / 848	816 / 923	893 / 1028	937 / 1072	1035 / 1163
o / oBre	276 / 351	306 / 397	354 / 447	415 / 522	492 / 627	536 / 671	634 / 762
m / mBre	26 / 30	32 / 36	38 / 41	51 / 42	52 / 52	52 / 52	75 / 75
n / nBre	114 / 153	114 / 153	114 / 153	122 / 185	186 / 186	186 / 186	186 / 186
p / pBre	114 / 108	114 / 108	114 / 108	122 / 139	186 / 186	186 / 186	186 / 186

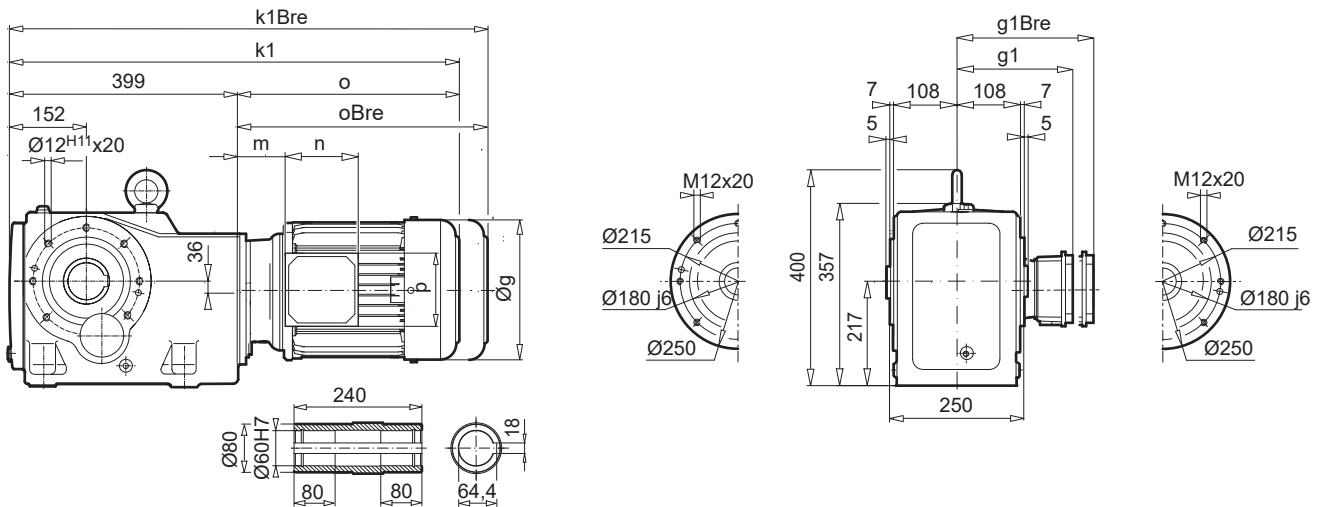


W ⇒ E122
IEC ⇒ A12





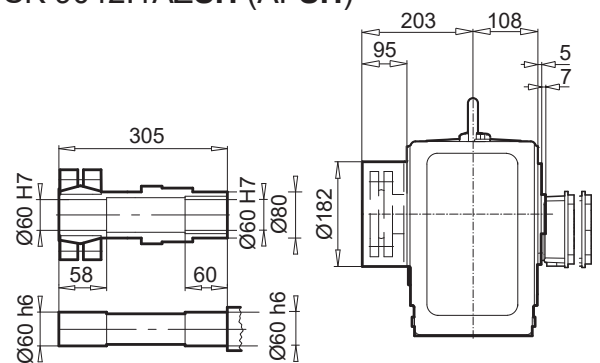
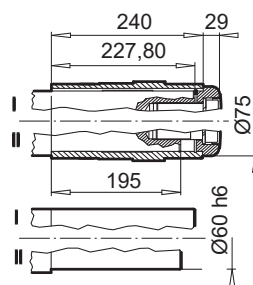
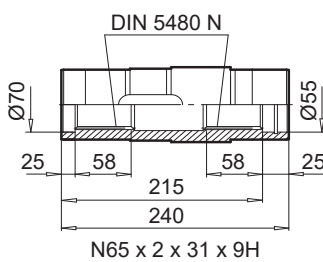
SK 9042.1AZ



SK 9042.1AZEA

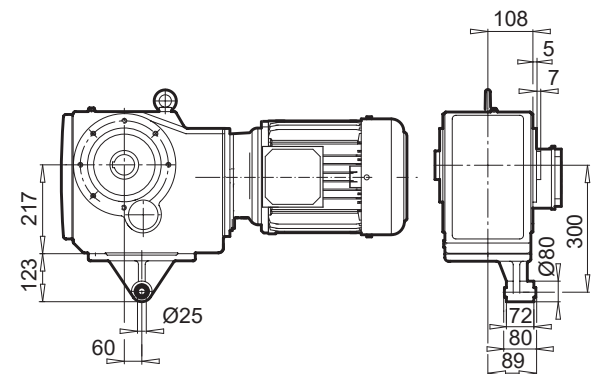
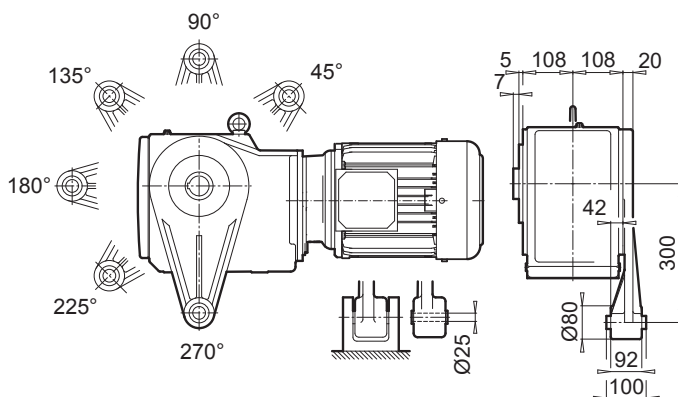
SK 9042.1AZB (AFB)

SK 9042.1AZSH (AFSH)




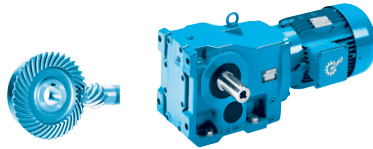
SK 9042.1AZD

SK 9042.1AZK

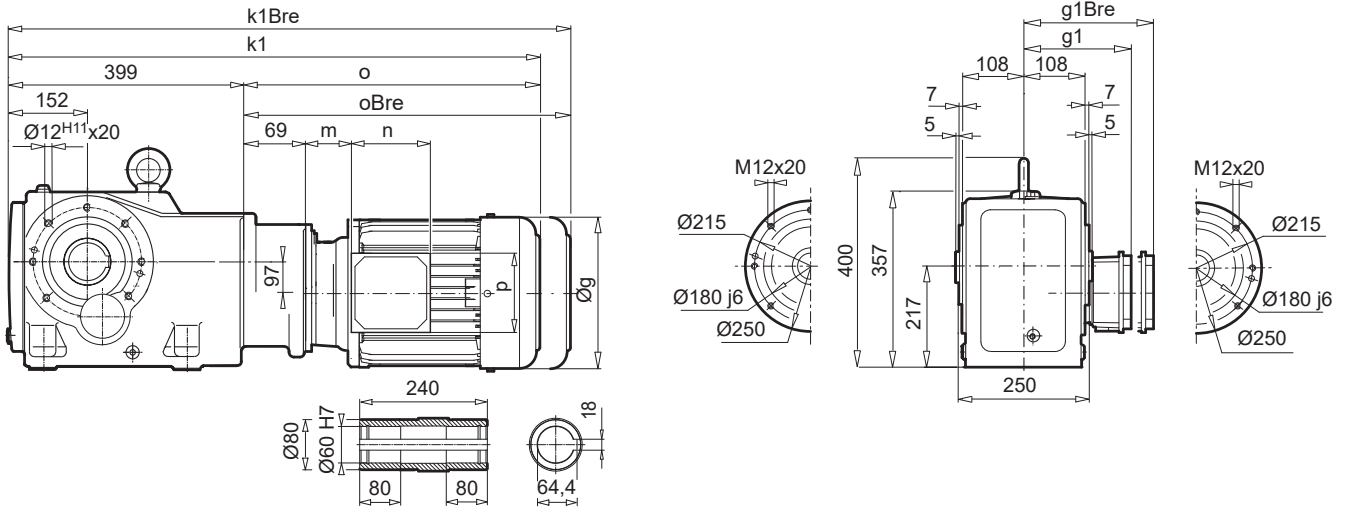


Helical-bevel gear units

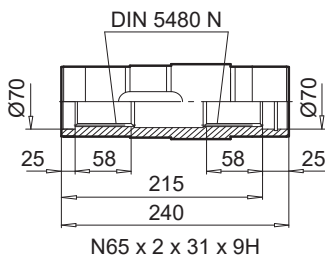
↗ A61	90 SP/LP	100 LP/AP	112 MP	132 SP/MP	160 SP/MP	160 LP	180 MP/LP	 W ⇒ E122 IEC ⇒ A12
g	183	201	228	266	320	320	358	
g1 / g1Bre	147 / 147	169 / 173	179 / 182	204 / 201	242 / 242	242 / 242	259 / 259	
k1 / k1Bre	677 / 752	707 / 798	755 / 848	816 / 923	893 / 1028	937 / 1072	1035 / 1163	
o / oBre	276 / 351	306 / 397	354 / 447	415 / 522	492 / 627	536 / 671	634 / 762	
m / mBre	26 / 30	32 / 36	38 / 41	51 / 42	52 / 52	52 / 52	75 / 75	
n / nBre	114 / 153	114 / 153	114 / 153	122 / 185	186 / 186	186 / 186	186 / 186	
p / pBre	114 / 108	114 / 108	114 / 108	122 / 139	186 / 186	186 / 186	186 / 186	



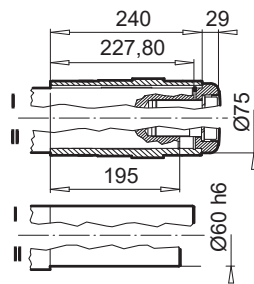
SK 9043.1AZ



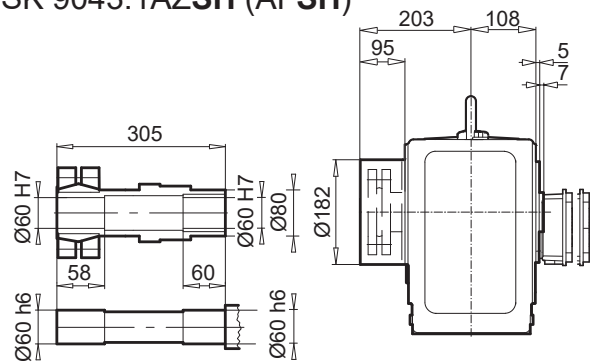
SK 9043.1AZEA



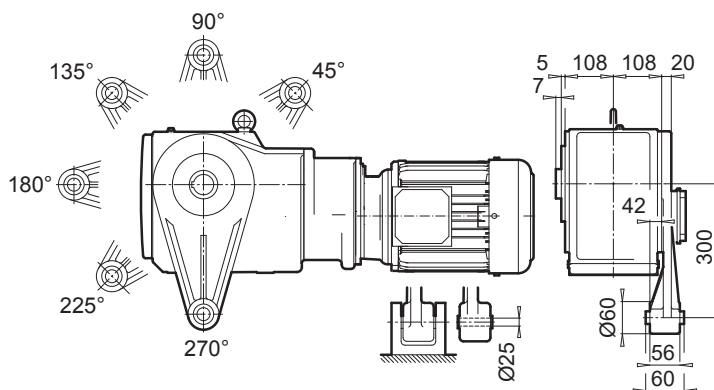
SK 9043.1AZB (AFB)



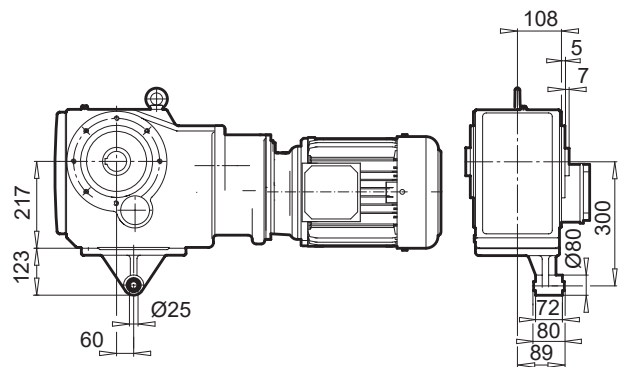
SK 9043.1AZSH (AFSH)





SK 9043.1AZD



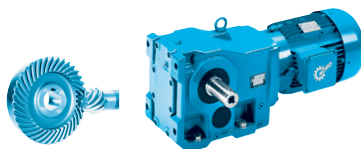
SK 9043.1AZK



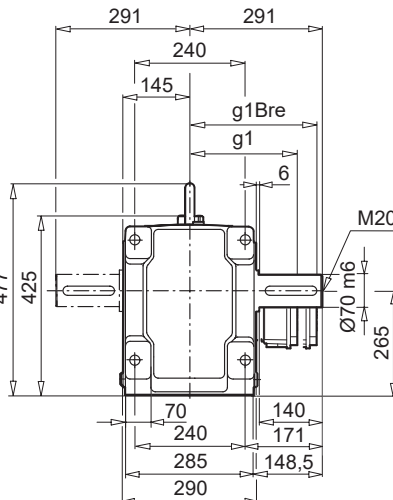
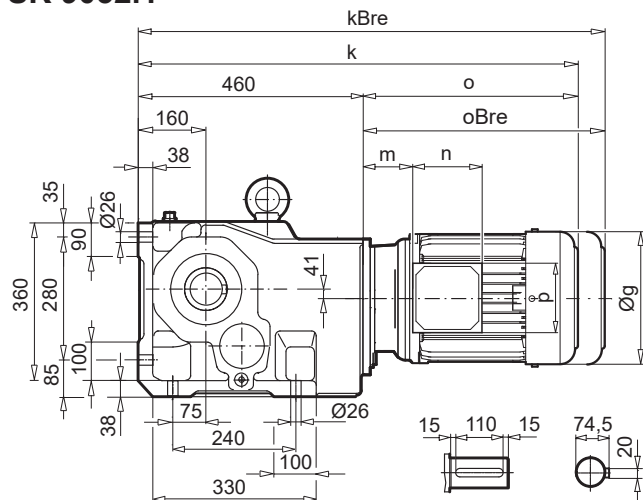
Helical-bevel gear units

⇒ A61	71 S/L	80 SH	80 LP	90 SP/LP	100 LP		
g	145	165	165	183	201		
g1 / g1Bre	124 / 132	142 / 142	142 / 142	147 / 147	169 / 173		
k1 / k1Bre	700 / 758	725 / 789	725 / 789	766 / 841	796 / 887		W⇒ E121
o / oBre	230 / 288	255 / 319	255 / 319	296 / 371	326 / 417		IEC ⇒ A12
m / mBre	36 / 42	41 / 45	41 / 45	46 / 50	52 / 56		
n / nBre	100 / 134	114 / 153	114 / 153	114 / 153	114 / 153		
p / pBre	100 / 89	114 / 108	114 / 108	114 / 108	114 / 108		

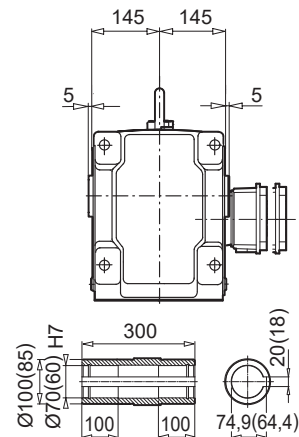
SK 9052.1



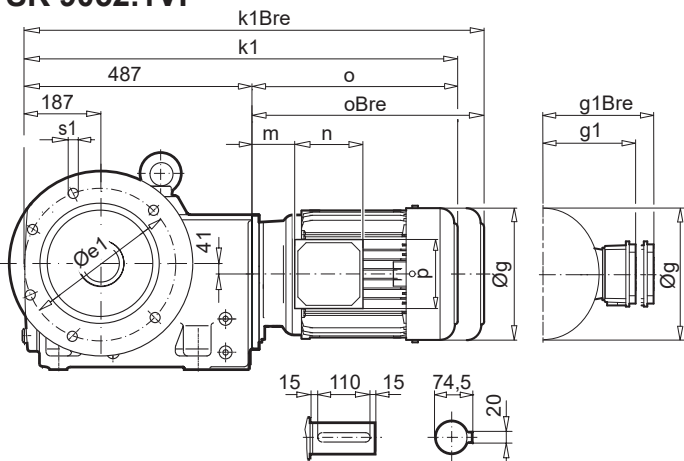
SK 9052.1



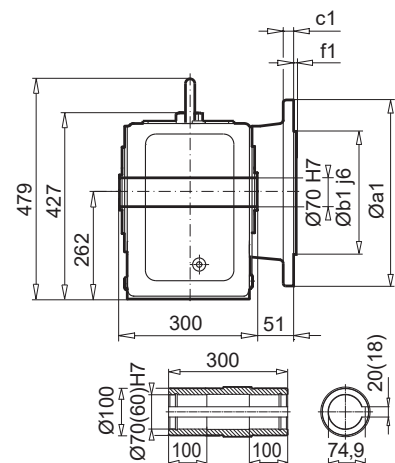
SK 9052.1AX



SK 9052.1VF

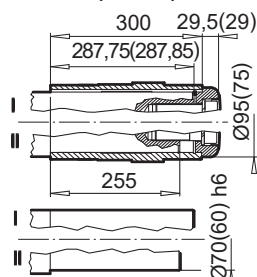


SK 9052.1AF

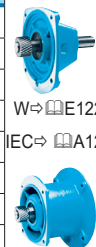


a1	b1	c1	e1	f1	s1
400	300	20	350	5	4 x 18
450	350	16	400	5	8 x 18

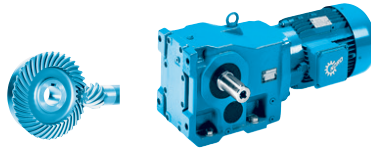
SK 9052.1AFB (AXB)



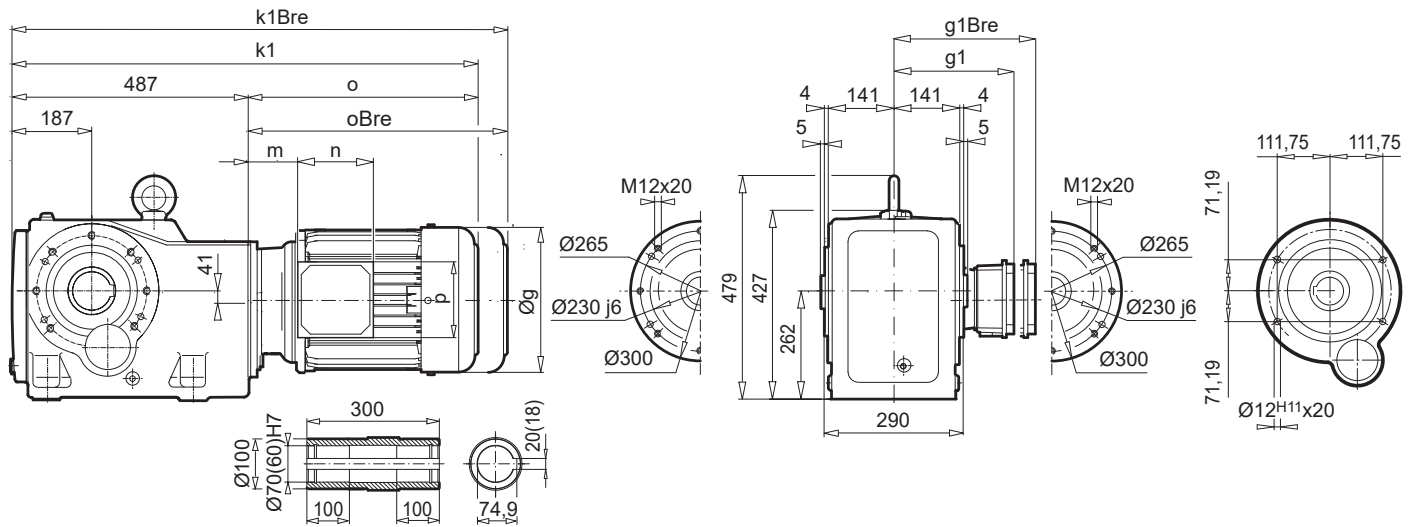
⇒ A61	90 SP/LP	100 LP/AP	112 MP	132 SP/MP	160 SP/MP	160 LP	180 MP/LP	225 RP	225 SP
g	183	201	228	266	320	320	358	443	443
g1 / g1Bre	147 / 147	169 / 173	179 / 182	204 / 201	242 / 242	242 / 242	259 / 259	347 / 347	347 / 347
k / kBre	736 / 811	766 / 857	814 / 907	875 / 982	952 / 1087	996 / 1131	1096 / 1223	1202 / 1382	1202 / 1382
k1 / k1Bre	763 / 838	793 / 884	841 / 934	902 / 1009	992 / 1127	1023 / 1158	1123 / 1251	1242 / 1422	1242 / 1422
o / oBre	276 / 351	306 / 397	354 / 447	415 / 522	492 / 627	536 / 671	636 / 764	742 / 922	742 / 922
m / mBre	26 / 30	32 / 36	38 / 41	51 / 42	52 / 52	52 / 52	75 / 75	94 / 94	94 / 94
n / nBre	114 / 153	114 / 153	114 / 153	122 / 185	186 / 186	186 / 186	186 / 186	245 / 245	245 / 245
p / pBre	114 / 108	114 / 108	114 / 108	122 / 139	186 / 186	186 / 186	186 / 186	245 / 245	245 / 245



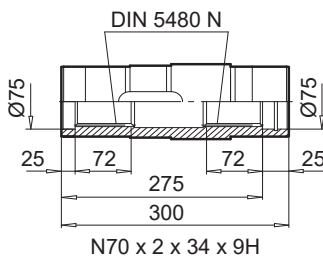
W⇒ E122
IEC⇒ A12



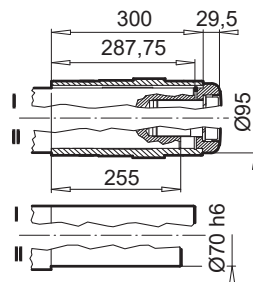
SK 9052.1AZ



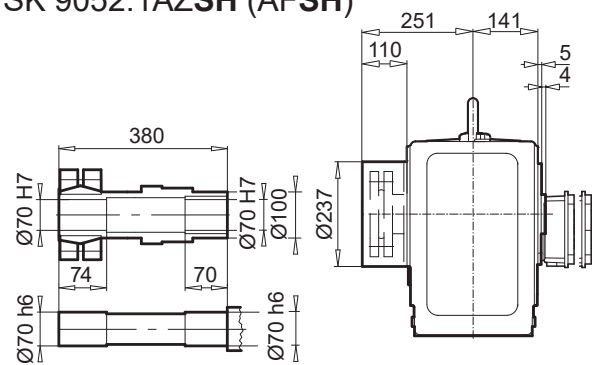
SK 9052.1AZEA



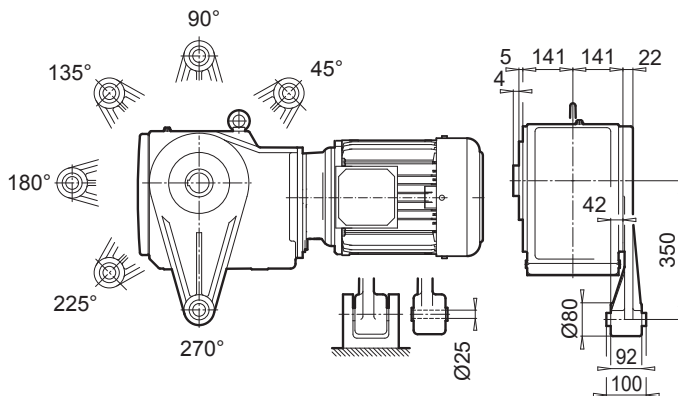
SK 9052.1AZB (AFB)



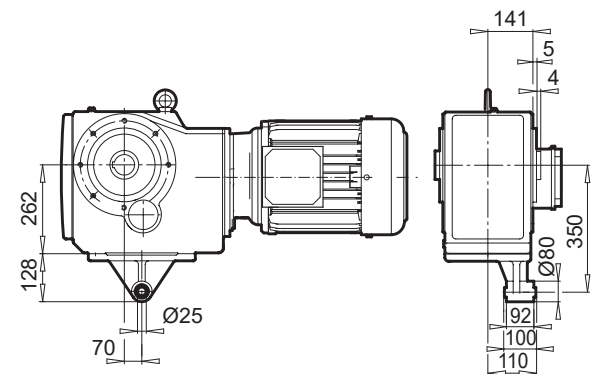
SK 9052.1AZSH (AFSH)



SK 9052.1AZD



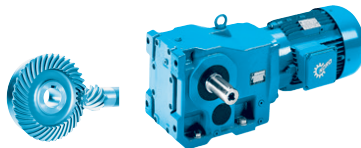
SK 9052.1AZK



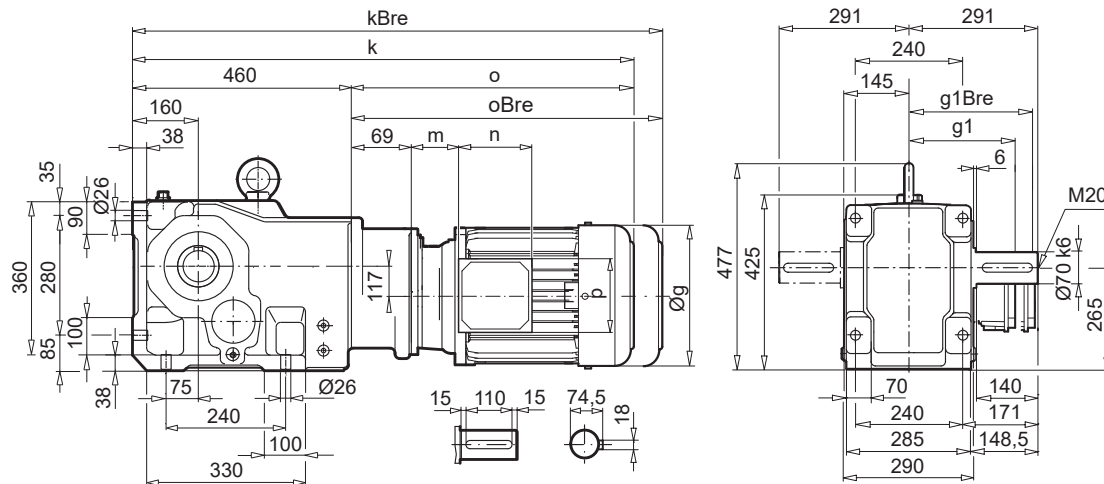
Helical-bevel gear units

⇒ A61	90 SP/LP	100 LP/AP	112 MP	132 SP/MP	160 SP/MP	160 LP	180 MP/LP	225 RP	225 SP	
g	183	201	228	266	320	320	358	443	443	 W⇒ E122 IEC⇒ A12
g1 / g1Bre	147 / 147	169 / 173	179 / 182	204 / 201	242 / 242	242 / 242	259 / 259	347 / 347	347 / 347	
k1 / k1Bre	763 / 838	793 / 884	841 / 934	902 / 1009	992 / 1127	1023 / 1158	1123 / 1251	1242 / 1422	1242 / 1422	
o / oBre	276 / 351	306 / 397	354 / 447	415 / 522	492 / 627	536 / 671	636 / 764	742 / 922	742 / 922	
m / mBre	26 / 30	32 / 36	38 / 41	51 / 42	52 / 52	52 / 52	75 / 75	94 / 94	94 / 94	
n / nBre	114 / 153	114 / 153	114 / 153	122 / 185	186 / 186	186 / 186	186 / 186	245 / 245	245 / 245	
p / pBre	114 / 108	114 / 108	114 / 108	122 / 139	186 / 186	186 / 186	186 / 186	245 / 245	245 / 245	

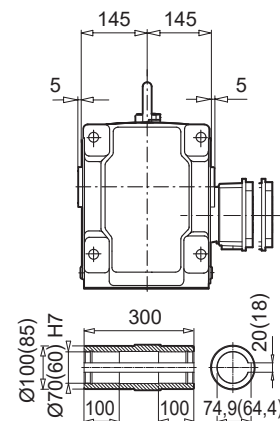
SK 9053.1



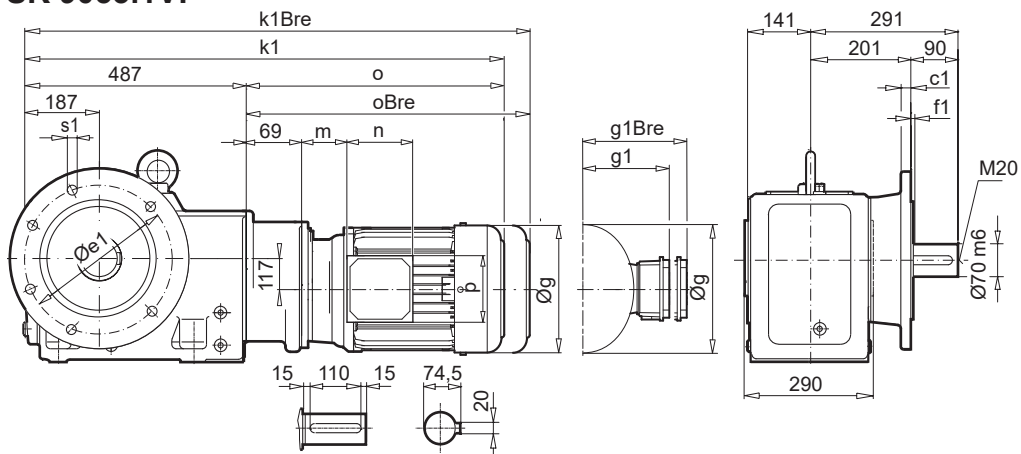
SK 9053.1



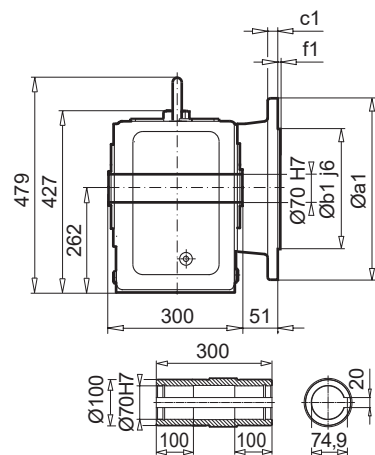
SK 9053.1AX



SK 9053.1VF

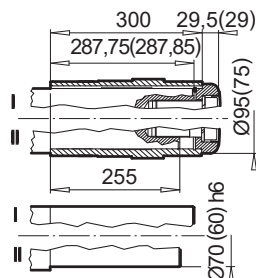


SK 9053.1AF



a1	b1	c1	e1	f1	s1
400	300	20	350	5	4 x 18
450	350	16	400	5	4 x 18

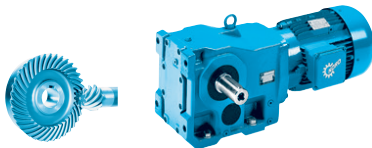
SK 9053.1AFB (AXB)



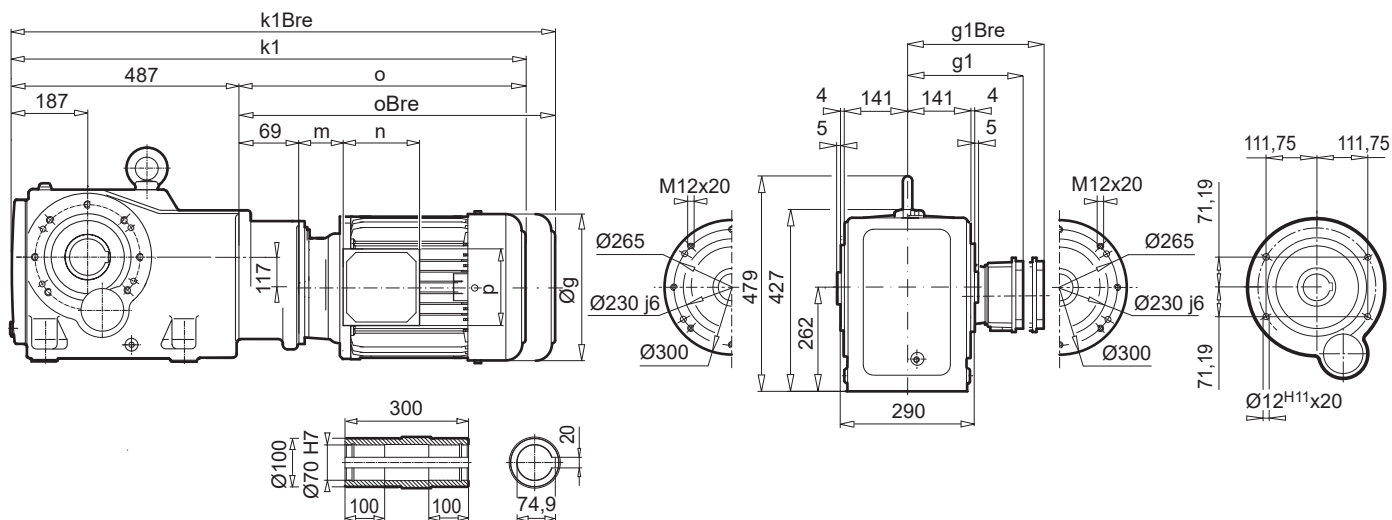
⇒ A61	71 S/L	80 SH	80 LP	90 SP/LP	100 LP/AP	112 MP	
g	145	165	165	183	201	228	
g1 / g1Bre	124 / 132	142 / 142	142 / 142	147 / 147	169 / 173	179 / 182	
k / kBre	759 / 817	784 / 848	784 / 848	825 / 900	855 / 946	903 / 996	
k1 / k1Bre	786 / 844	811 / 875	811 / 875	852 / 927	882 / 973	930 / 1023	
o / oBre	230 / 288	255 / 319	255 / 319	296 / 371	326 / 417	374 / 467	
m / mBre	36 / 42	41 / 45	41 / 45	46 / 50	52 / 56	38 / 41	
n / nBre	100 / 134	114 / 153	114 / 153	114 / 153	114 / 153	114 / 153	
p / pBre	100 / 89	114 / 108	114 / 108	114 / 108	114 / 108	114 / 108	

W⇒ E121

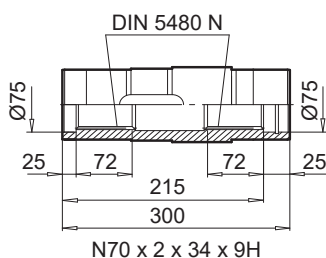
IEC ⇒ A12



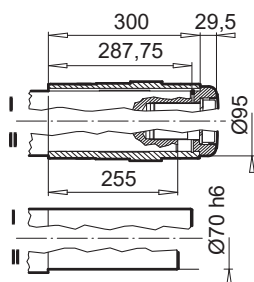
SK 9053.1AZ



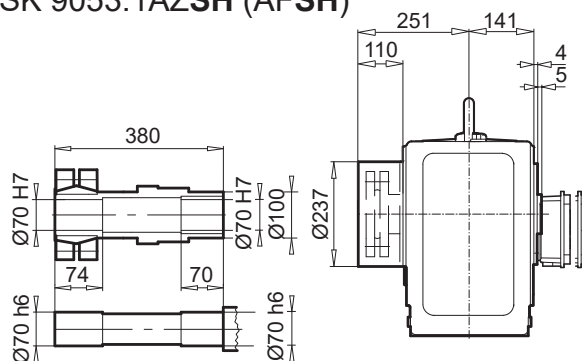
SK 9053.1AZEA



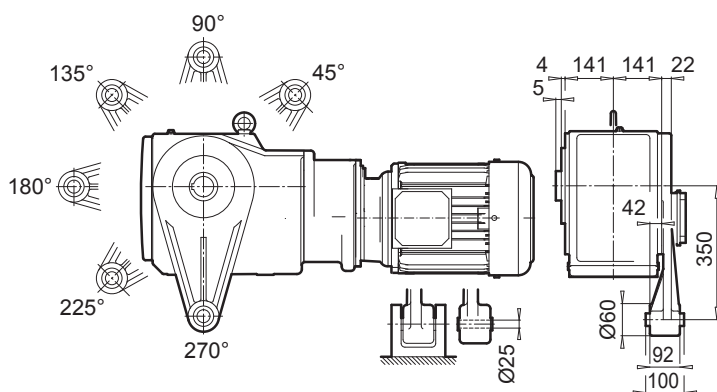
SK 9053.1AZB (AFB)



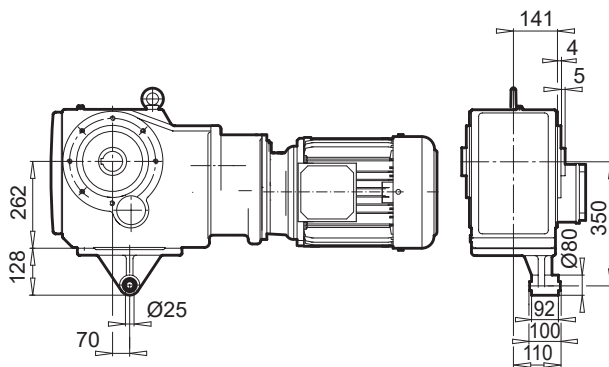
SK 9053.1AZSH (AFSH)



SK 9053.1AZD



SK 9053.1AZK



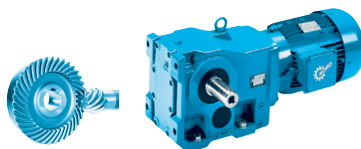
Helical-bevel gear units

⇒ A61	71 S/L	80 SH	80 LP	90 SP/LP	100 LP/AP	112 MP	
g	145	165	165	183	201	228	
g1 / g1Bre	124 / 132	142 / 142	142 / 142	147 / 147	169 / 173	179 / 182	
k1 / k1Bre	786 / 844	811 / 875	811 / 875	852 / 927	882 / 973	930 / 1023	
o / oBre	230 / 288	255 / 319	255 / 319	296 / 371	326 / 417	374 / 467	
m / mBre	36 / 42	41 / 45	41 / 45	46 / 50	52 / 56	38 / 41	
n / nBre	100 / 134	114 / 153	114 / 153	114 / 153	114 / 153	114 / 153	
p / pBre	100 / 89	114 / 108	114 / 108	114 / 108	114 / 108	114 / 108	

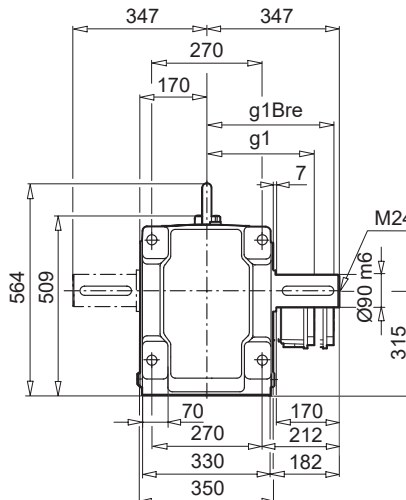
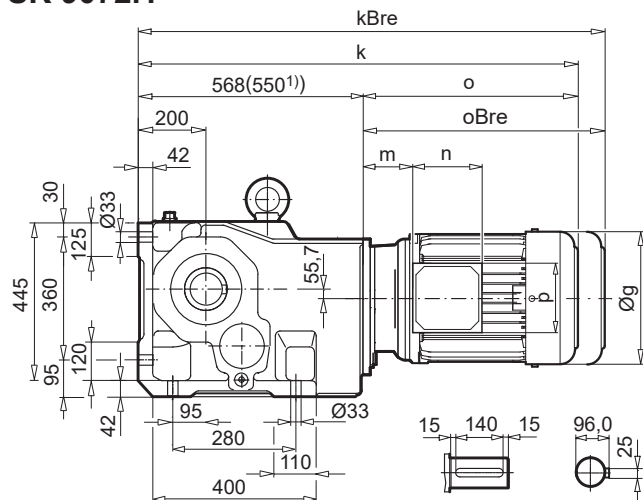
W⇒ E121

IEC ⇒ A12

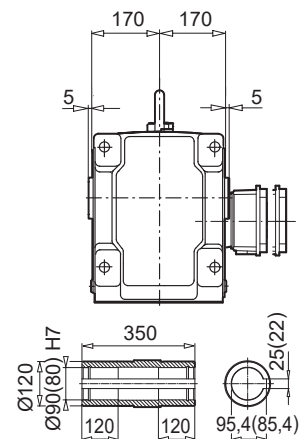
SK 9072.1



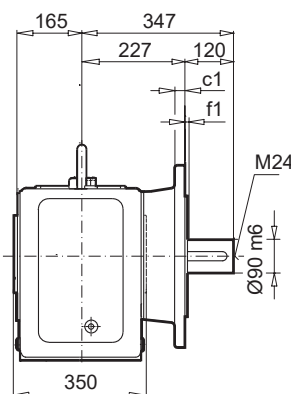
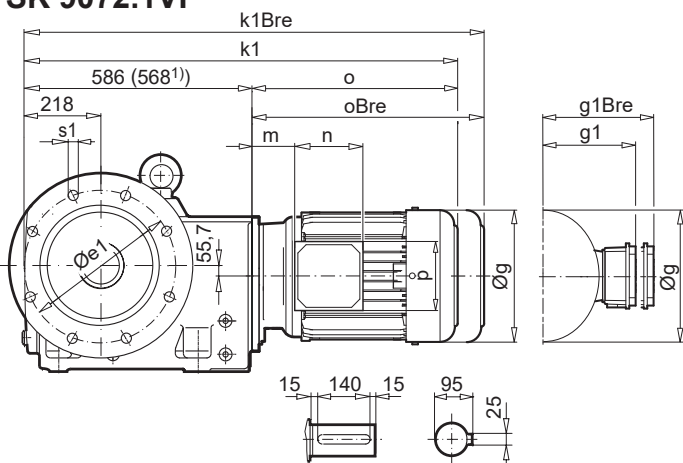
SK 9072.1



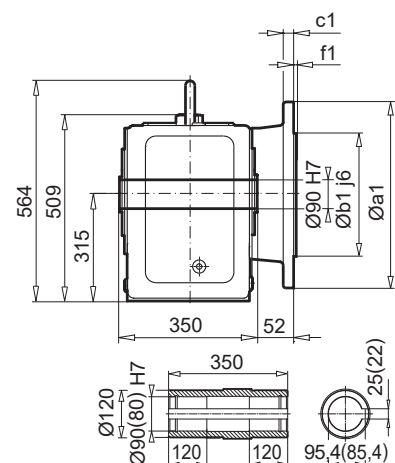
SK 9072.1AX



SK 9072.1VF

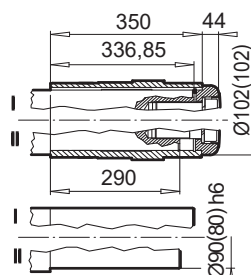




SK 9072.1AF

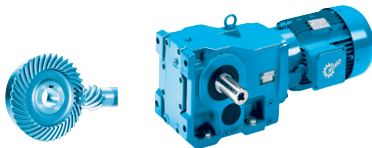


a1	b1	c1	e1	f1	s1
450	350	22	400	5	8 x 18
550	450	28	500	5	8 x 18

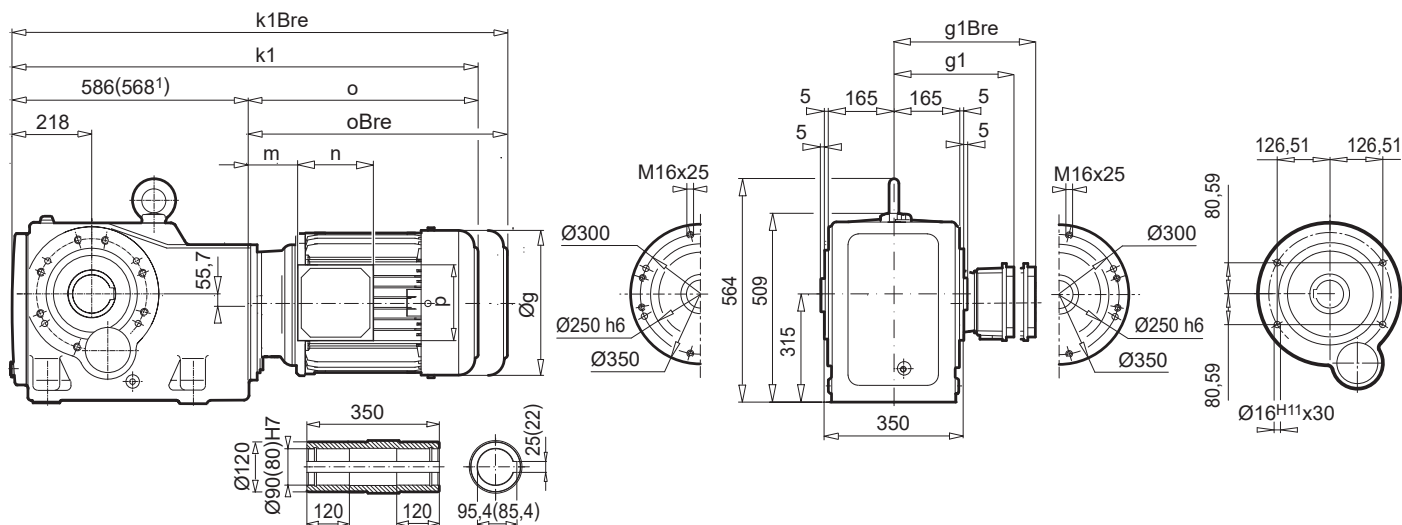
SK 9072.1AFB (AXB)



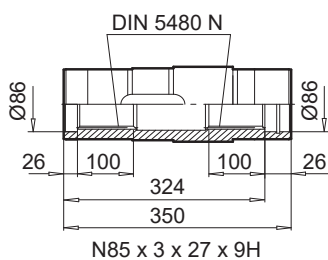
⇒ A61	100 LP/AP	112 MP	132 SP/MP	160 SP/MP ¹⁾	160 LP ¹⁾	180 MP/LP ¹⁾	225 RP ¹⁾	225 SP/MP ¹⁾	
g	201	228	266	320	320	358	443	443	
g1 / g1Bre	169 / 173	179 / 182	204 / 201	242 / 242	242 / 242	259 / 259	347 / 347	347 / 347	
k / kBre	874 / 965	919 / 1012	1003 / 1110	1042 / 1177	1086 / 1221	1164 / 1292	1292 / 1472	1292 / 1472	W⇒ E123 IEC⇒ A12
k1 / k1Bre	892 / 983	937 / 1030	1021 / 1128	1060 / 1195	1011 / 1239	1182 / 1310	1310 / 1490	1310 / 1490	
o / oBre	306 / 397	351 / 444	435 / 542	492 / 627	536 / 671	614 / 742	742 / 922	742 / 922	
m / mBre	32 / 36	35 / 38	51 / 42	52 / 52	52 / 52	55 / 55	94 / 94	94 / 94	
n / nBre	114 / 153	114 / 153	122 / 185	186 / 186	186 / 186	186 / 186	245 / 245	245 / 245	
p / pBre	114 / 108	114 / 108	122 / 139	186 / 186	186 / 186	186 / 186	245 / 245	245 / 245	



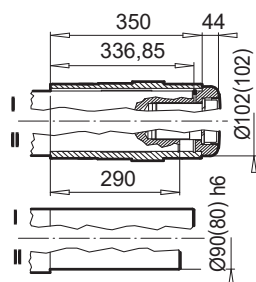
SK 9072.1AZ



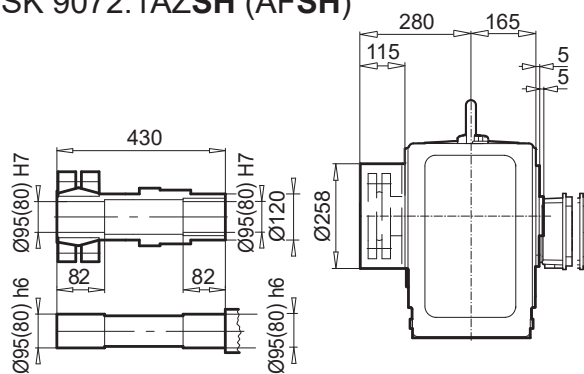
SK 9072.1AZEA



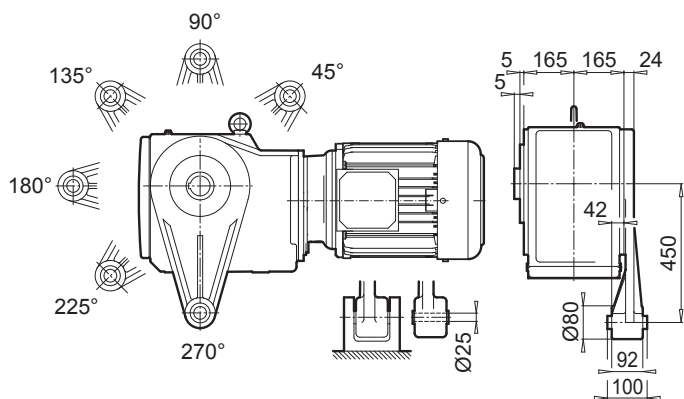
SK 9072.1AZB (AFB)



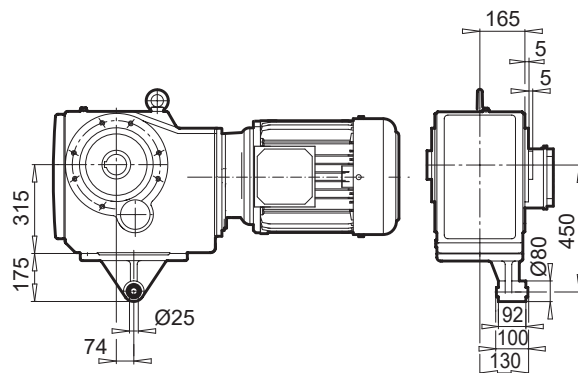
SK 9072.1AZSH (AFSH)





SK 9072.1AZD



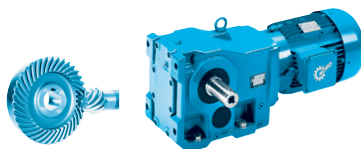
SK 9072.1AZK



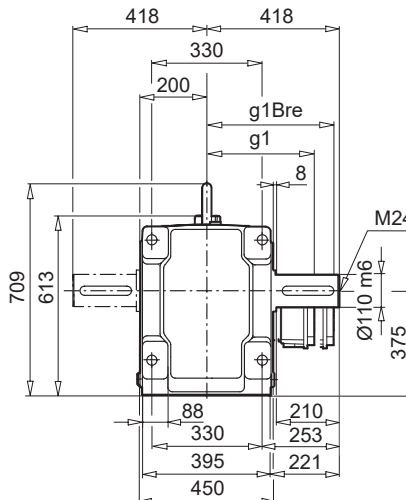
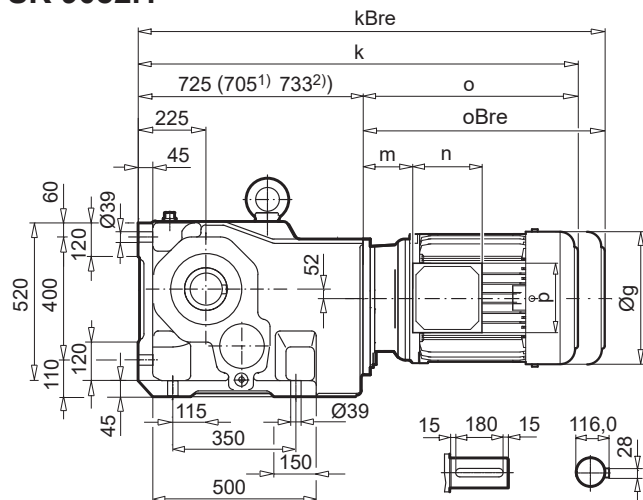
Helical-bevel gear units

⇒ A61	100 LP/AP	112 MP	132 SP/MP	160 SP/MP ¹⁾	160 LP ¹⁾	180 MP/LP ¹⁾	225 RP ¹⁾	225 SP/MP ¹⁾	
g	201	228	266	320	320	358	443	443	 W⇒ E123 IEC⇒ A12 
g1 / g1Bre	169 / 173	179 / 182	204 / 201	242 / 242	242 / 242	259 / 259	347 / 347	347 / 347	
k1 / k1Bre	892 / 983	937 / 1030	1021 / 1128	1060 / 1195	1011 / 1239	1182 / 1310	1310 / 1490	1310 / 1490	
o / oBre	306 / 397	351 / 444	435 / 542	492 / 627	536 / 671	614 / 742	742 / 922	742 / 922	
m / mBre	32 / 36	35 / 38	51 / 42	52 / 52	52 / 52	55 / 55	94 / 94	94 / 94	
n / nBre	114 / 153	114 / 153	122 / 185	186 / 186	186 / 186	186 / 186	245 / 245	245 / 245	
p / pBre	114 / 108	114 / 108	122 / 139	186 / 186	186 / 186	186 / 186	245 / 245	245 / 245	

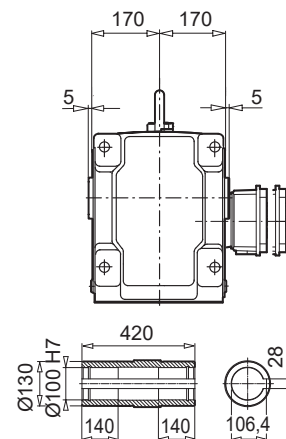
SK 9082.1



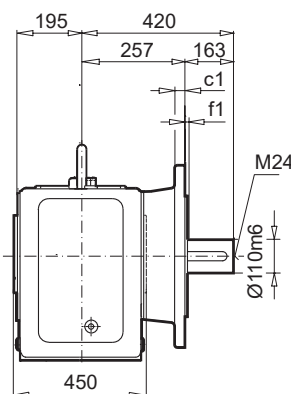
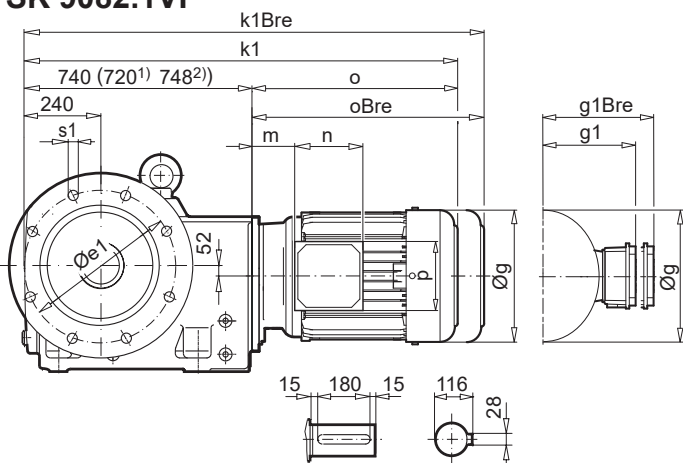
SK 9082.1



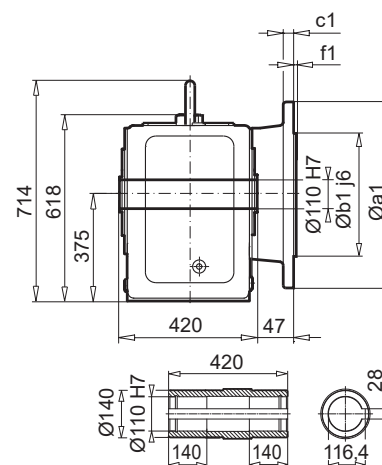
SK 9082.1AX



SK 9082.1VF

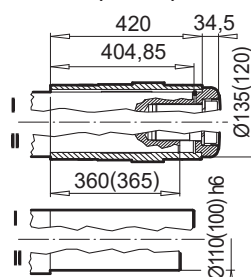


SK 9082.1AF



a1	b1	c1	e1	f1	s1
550	450	28	500	5	8 x 18

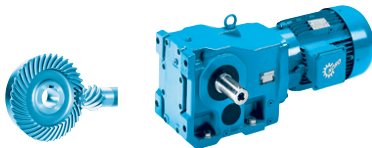
SK 9082.1AFB (AXB)



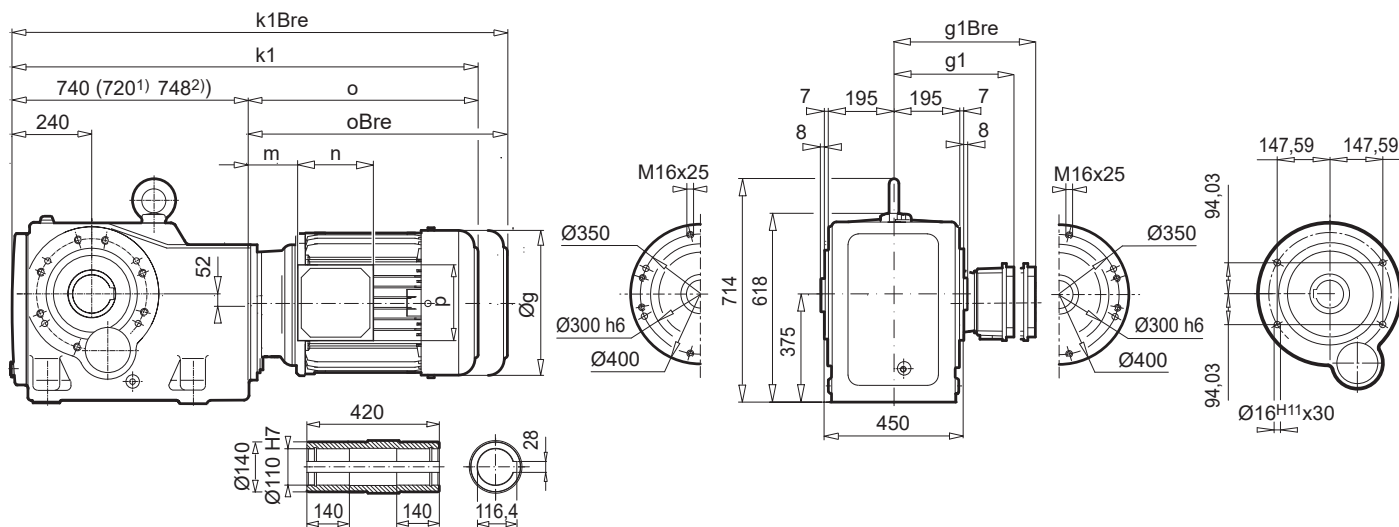
⇒ A61	112 MP	132 SP/MP	160 SP/MP	160 LP	180 MP/LP	225 RP	225 SP/MP	250 WP ¹⁾	280 SP ¹⁾	280 MP ²⁾	315 SP ²⁾
g	228	266	320	320	358	443	443	443	551	551	616
g1 / g1Bre	179 / 182	204 / 201	242 / 242	242 / 242	259 / 259	347 / 347	347 / 347	347 / 347	432 / 432	434 / 434	516 / -
k / kBre	1076 / 1169	1160 / 1267	1217 / 1352	1261 / 1396	1339 / 1467	1467 / 1647	1467 / 1647	1447 / 1627	1535 / 1715	1663 / 1843	1645 / -
k1 / k1Bre	1091 / 1184	1175 / 1282	1232 / 1367	1276 / 1411	1354 / 1482	1482 / 1662	1482 / 1662	1462 / 1642	1550 / 1730	1678 / 1858	1660 / -
o / oBre	351 / 444	435 / 542	492 / 627	536 / 671	614 / 742	742 / 922	742 / 922	742 / 922	830 / 1010	930 / 1110	912 / -
m / mBre	35 / 38	51 / 42	52 / 52	52 / 52	55 / 55	94 / 94	94 / 94	94 / 94	104 / 104	94 / 94	89 / -
n / nBre	114 / 153	122 / 185	186 / 186	186 / 186	186 / 186	245 / 245	245 / 245	245 / 245	233 / 233	233 / 233	299 / -
p / pBre	114 / 108	122 / 139	186 / 186	186 / 186	186 / 186	245 / 245	245 / 245	245 / 245	319 / 319	319 / 319	420 / -



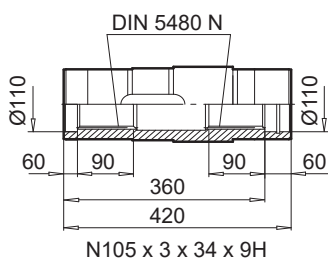
W ⇒ E124
IEC ⇒ A12



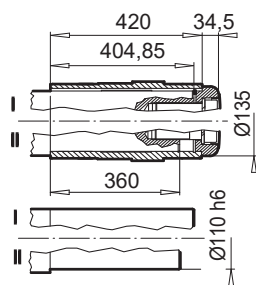
SK 9082.1AZ



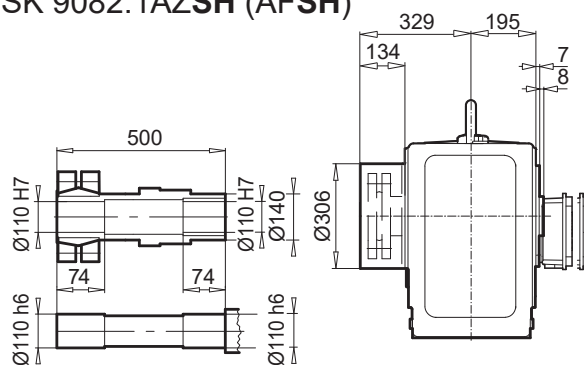
SK 9082.1AZEA



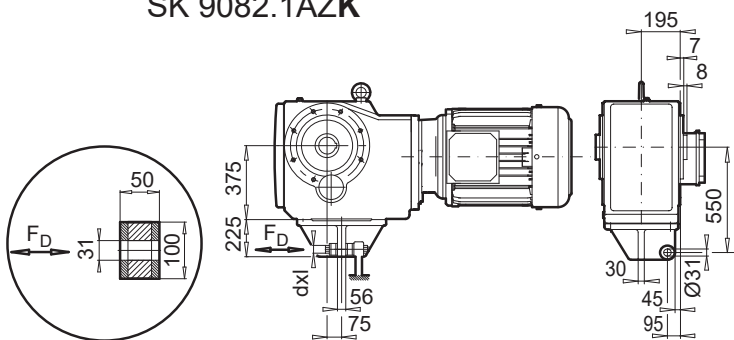
SK 9082.1AZB (AFB)



SK 9082.1AZSH (AFSH)



SK 9082.1AZK



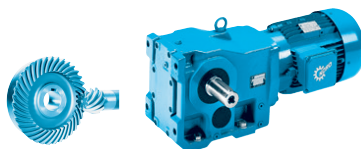
Helical-bevel
gear units

⇒ A61	112 MP	132 SP/MP	160 SP/MP	160 LP	180 MP/LP	225 RP	225 SP/MP	250 WP ¹⁾	280 SP ¹⁾	280 MP ²⁾	315 SP ²⁾
g	228	266	320	320	358	443	443	443	551	551	616
g1 / g1Bre	179 / 182	204 / 201	242 / 242	242 / 242	259 / 259	347 / 347	347 / 347	347 / 347	432 / 432	434 / 434	516 / -
k1 / k1Bre	1091 / 1184	1175 / 1282	1232 / 1367	1276 / 1411	1354 / 1482	1482 / 1662	1482 / 1662	1462 / 1642	1550 / 1730	1678 / 1858	1660 / -
o / oBre	351 / 444	435 / 542	492 / 627	536 / 671	614 / 742	742 / 922	742 / 922	742 / 922	830 / 1010	930 / 1110	912 / -
m / mBre	35 / 38	51 / 42	52 / 52	52 / 52	55 / 55	94 / 94	94 / 94	94 / 94	104 / 104	94 / 94	89 / -
n / nBre	114 / 153	122 / 185	186 / 186	186 / 186	186 / 186	245 / 245	245 / 245	245 / 245	233 / 233	233 / 233	299 / -
p / pBre	114 / 108	122 / 139	186 / 186	186 / 186	186 / 186	245 / 245	245 / 245	245 / 245	319 / 319	319 / 319	420 / -

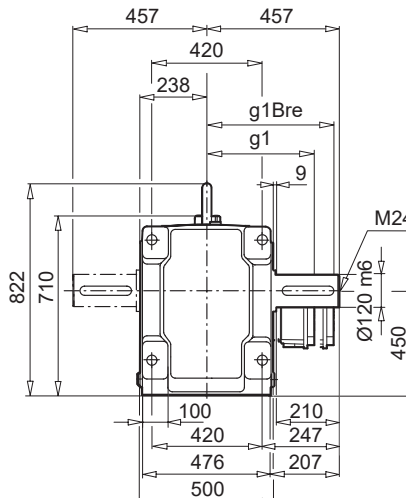
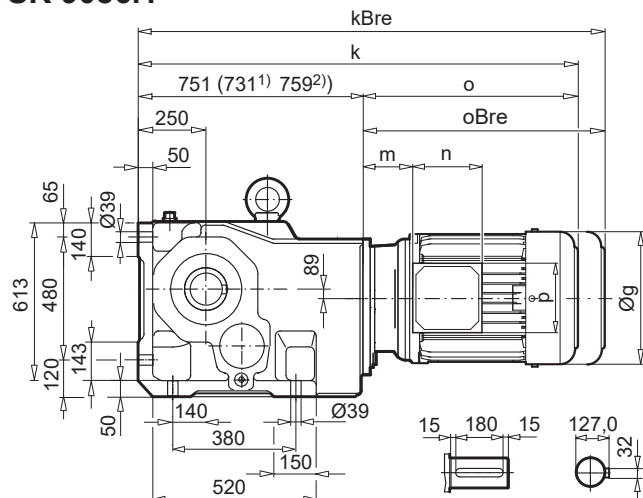


W⇒ E124
IEC⇒ A12

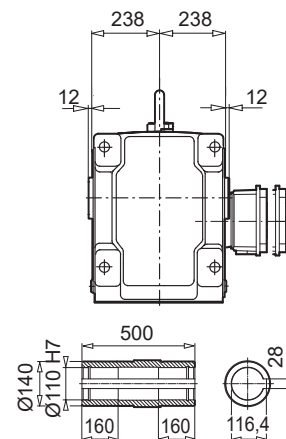
SK 9086.1



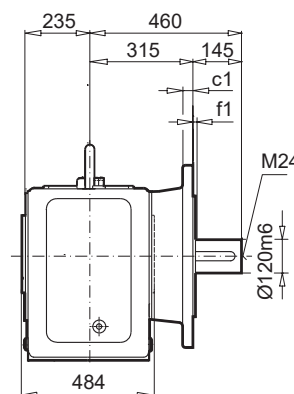
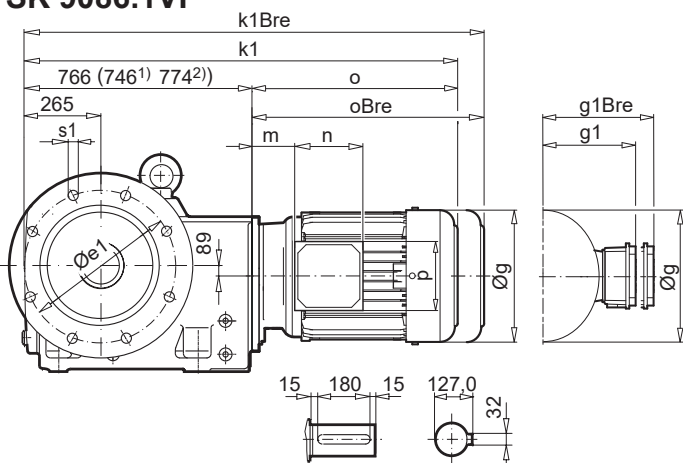
SK 9086.1



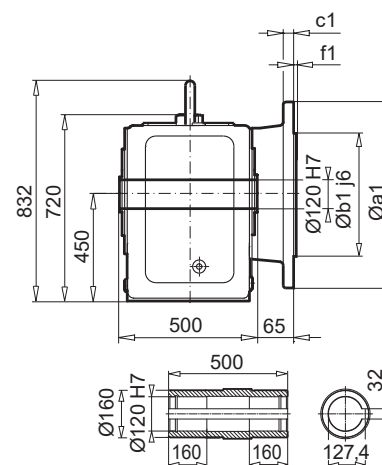
SK 9086.1AX



SK 9086.1VF

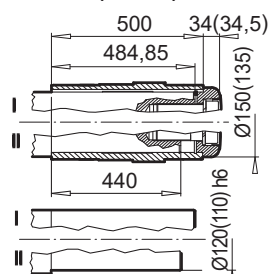


SK 9086.1AF

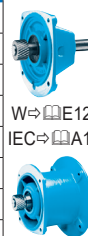


a1	b1	c1	e1	f1	s1
660	550	32	600	6	8 x 22

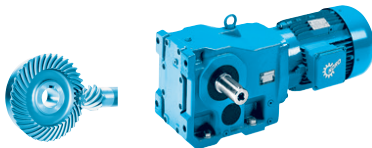
SK 9086.1AFB (AXB)



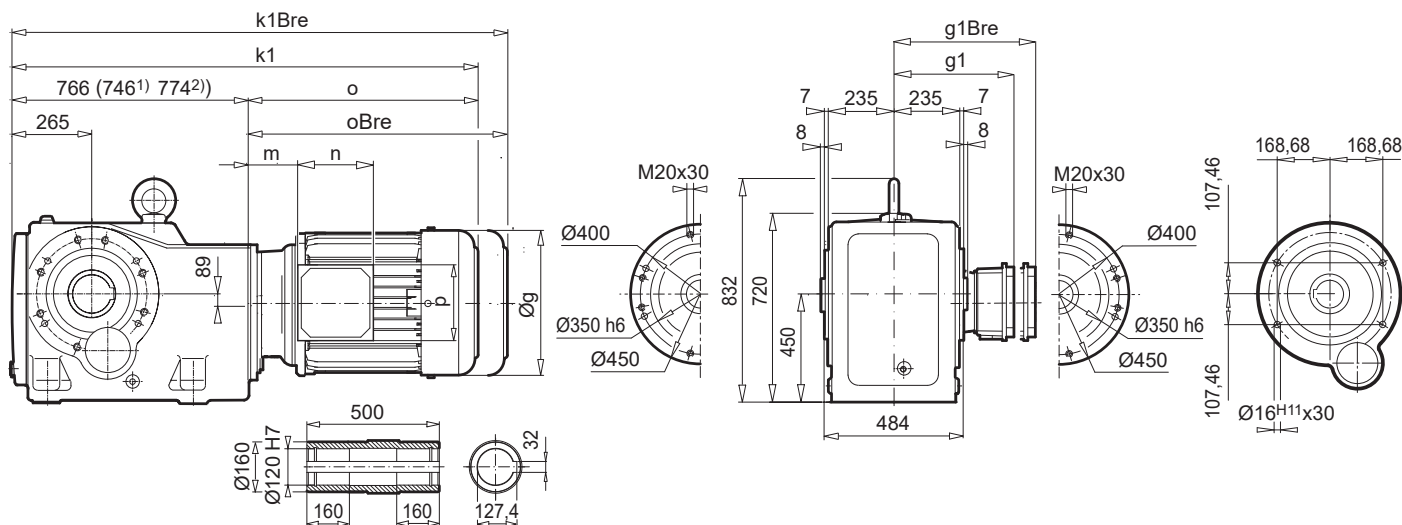
⇒ A61	132 SP/MP	160 SP/MP	160 LP	180 MP/LP	225 RP	225 SP/MP	250 WP ¹⁾	280 SP ¹⁾	280 MP ²⁾	315 SP ²⁾	315 MP/RP ²⁾
g	266	320	320	358	443	443	443	551	551	616	616
g1 / g1Bre	204 / 201	242 / 242	242 / 242	259 / 259	347 / 347	347 / 347	347 / 347	432 / 432	434 / 434	516 / -	516 / -
k / kBre	1186 / 1293	1243 / 1378	1287 / 1422	1365 / 1493	1493 / 1673	1493 / 1673	1473 / 1653	1561 / 1741	1689 / 1869	1671 / -	1836 / -
k1 / k1Bre	1201 / 1308	1258 / 1393	1302 / 1437	1380 / 1508	1508 / 1688	1508 / 1688	1488 / 1668	1576 / 1756	1704 / 1884	1686 / -	1851 / -
o / oBre	435 / 542	492 / 627	536 / 671	614 / 742	742 / 922	742 / 922	742 / 922	830 / 1010	930 / 1110	912 / -	1077 / -
m / mBre	71 / 62	52 / 52	52 / 52	55 / 55	94 / 94	94 / 94	94 / 94	104 / 104	94 / 94	89 / -	89 / -
n / nBre	122 / 185	186 / 186	186 / 186	186 / 186	245 / 245	245 / 245	245 / 245	233 / 233	233 / 233	299 / -	299 / -
p / pBre	122 / 139	186 / 186	186 / 186	186 / 186	245 / 245	245 / 245	245 / 245	319 / 319	319 / 319	420 / -	420 / -



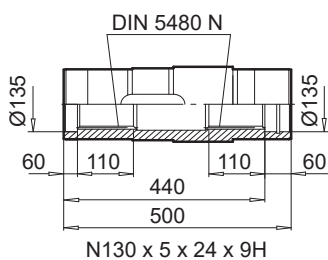
W⇒ E124
IEC⇒ A12



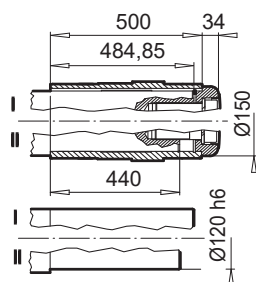
SK 9086.1AZ



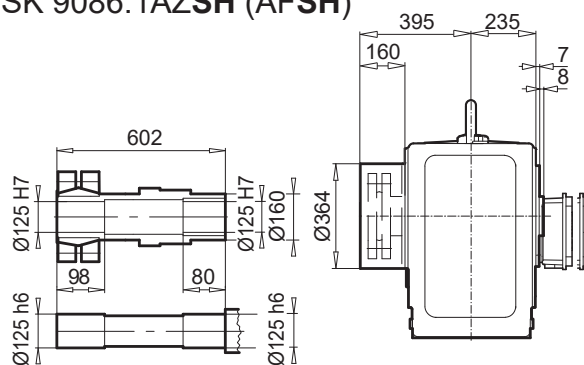
SK 9086.1AZEA



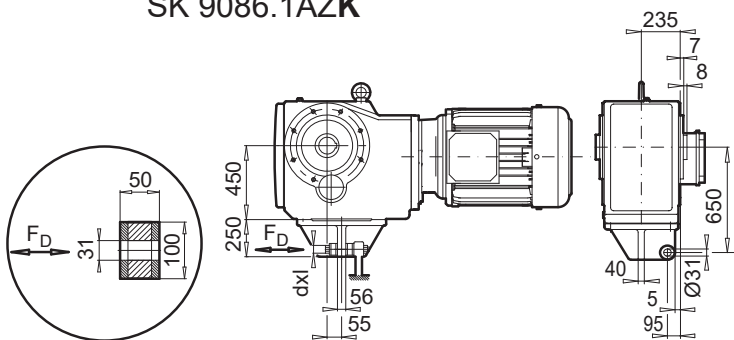
SK 9086.1AZB (AFB)



SK 9086.1AZSH (AFSH)



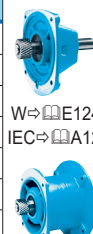
SK 9086.1AZK



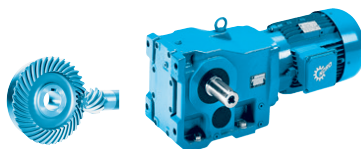
$F_D = 30,77 \text{ kN}$
 $S_{FD} = 17,6 \text{ mm}$
 $d_{xl} = M30x260$
A29

Helical-bevel
gear units

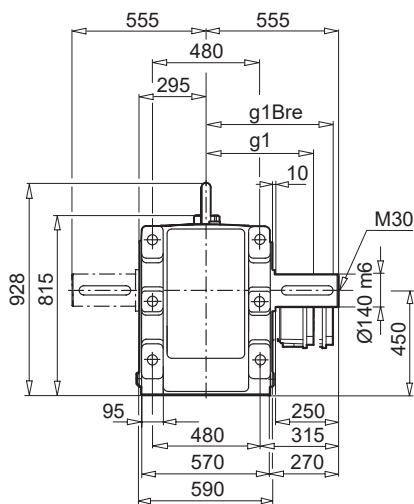
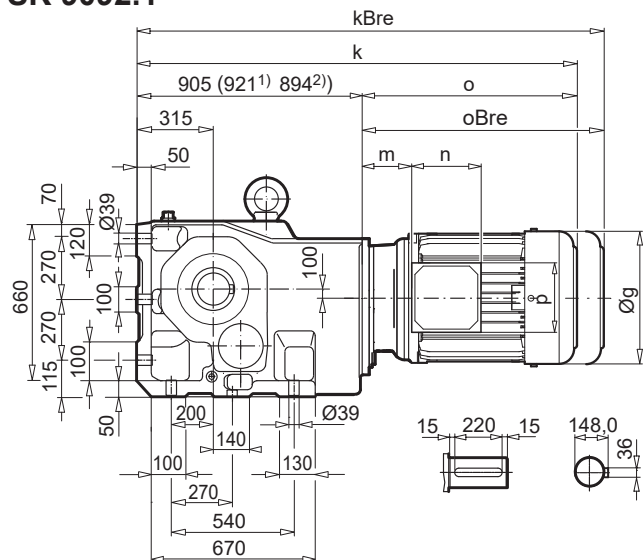
⇒ A61	132 SP/MP	160 SP/MP	160 LP	180 MP/LP	225 RP	225 SP/MP	250 WP ¹⁾	280 SP ¹⁾	280 MP ²⁾	315 SP ²⁾	315 MP/RP ²⁾
g	266	320	320	358	443	443	443	551	551	616	616
g1 / g1Bre	204 / 201	242 / 242	242 / 242	259 / 259	347 / 347	347 / 347	347 / 347	432 / 432	434 / 434	516 / -	516 / -
k1 / k1Bre	1201 / 1308	1258 / 1393	1302 / 1437	1380 / 1508	1508 / 1688	1508 / 1688	1488 / 1668	1576 / 1756	1704 / 1884	1686 / -	1851 / -
o / oBre	435 / 542	492 / 627	536 / 671	614 / 742	742 / 922	742 / 922	742 / 922	830 / 1010	930 / 1110	912 / -	1077 / -
m / mBre	71 / 62	52 / 52	52 / 52	55 / 55	94 / 94	94 / 94	94 / 94	104 / 104	94 / 94	89 / -	89 / -
n / nBre	122 / 185	186 / 186	186 / 186	186 / 186	245 / 245	245 / 245	245 / 245	233 / 233	233 / 233	299 / -	299 / -
p / pBre	122 / 139	186 / 186	186 / 186	186 / 186	245 / 245	245 / 245	245 / 245	319 / 319	319 / 319	420 / -	420 / -



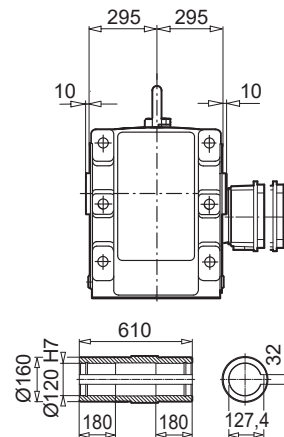
SK 9092.1



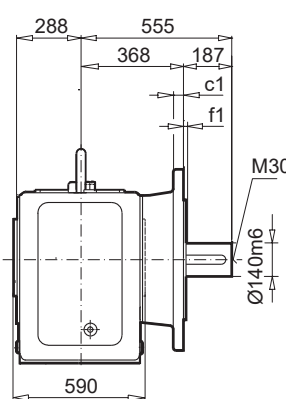
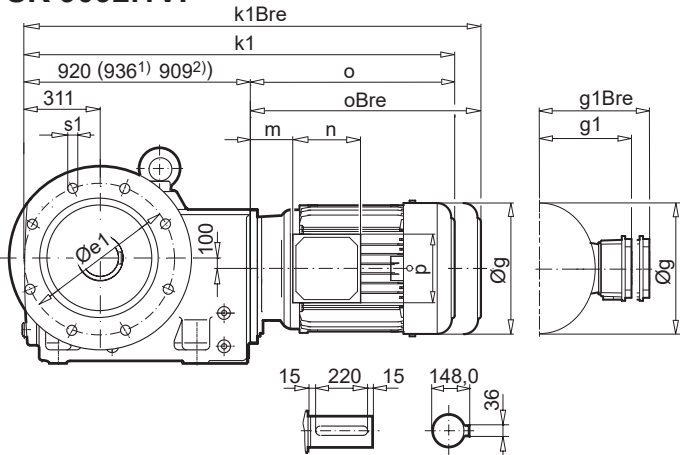
SK 9092.1



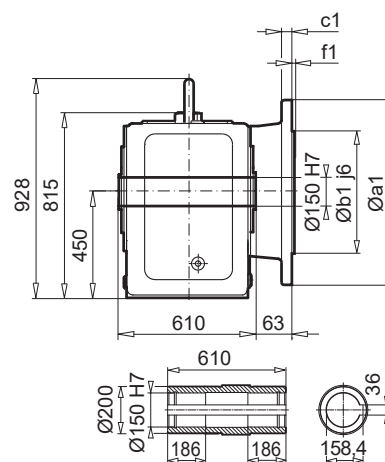
SK 9092.1AX



SK 9092.1VF

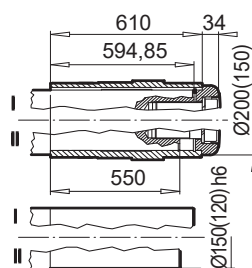


SK 9092.1AF



a1	b1	c1	e1	f1	s1
660	550	32	600	6	8 x 22

SK 9092.1AFB (AXB)

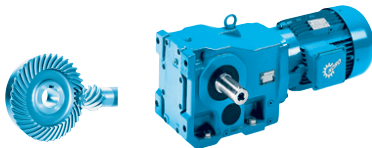


⇒ A61	160 SP/MP	160 LP	180 MP/LP	225 RP	225 SP/MP	250 WP¹)	280 SP¹)	280 MP²)	315 SP²)	315 MP/RP²)
g	320	320	358	443	443	443	551	551	616	616
g1 / g1Bre	242 / 242	242 / 242	259 / 259	347 / 347	347 / 347	347 / 347	432 / 432	434 / 434	516 / -	516 / -
k / kBre	1397 / 1532	1441 / 1576	1518 / 1644	1647 / 1827	1647 / 1827	1663 / 1843	1751 / 1931	1824 / 2004	1806 / -	1971 / -
k1 / k1Bre	1412 / 1547	1456 / 1591	1534 / 1660	1662 / 1842	1662 / 1842	1678 / 1858	1766 / 1966	1839 / 2019	1821 / -	1986 / -
o / oBre	492 / 627	536 / 671	614 / 742	742 / 922	742 / 922	742 / 922	830 / 1010	930 / 1110	912 / -	1077 / -
m / mBre	52 / 52	52 / 52	55 / 55	94 / 94	94 / 94	94 / 94	104 / 104	94 / 94	89 / -	89 / -
n / nBre	186 / 186	186 / 186	186 / 186	245 / 245	245 / 245	245 / 245	233 / 233	233 / 233	299 / -	299 / -
p / pBre	186 / 186	186 / 186	186 / 186	245 / 245	245 / 245	245 / 245	319 / 319	319 / 319	420 / -	420 / -

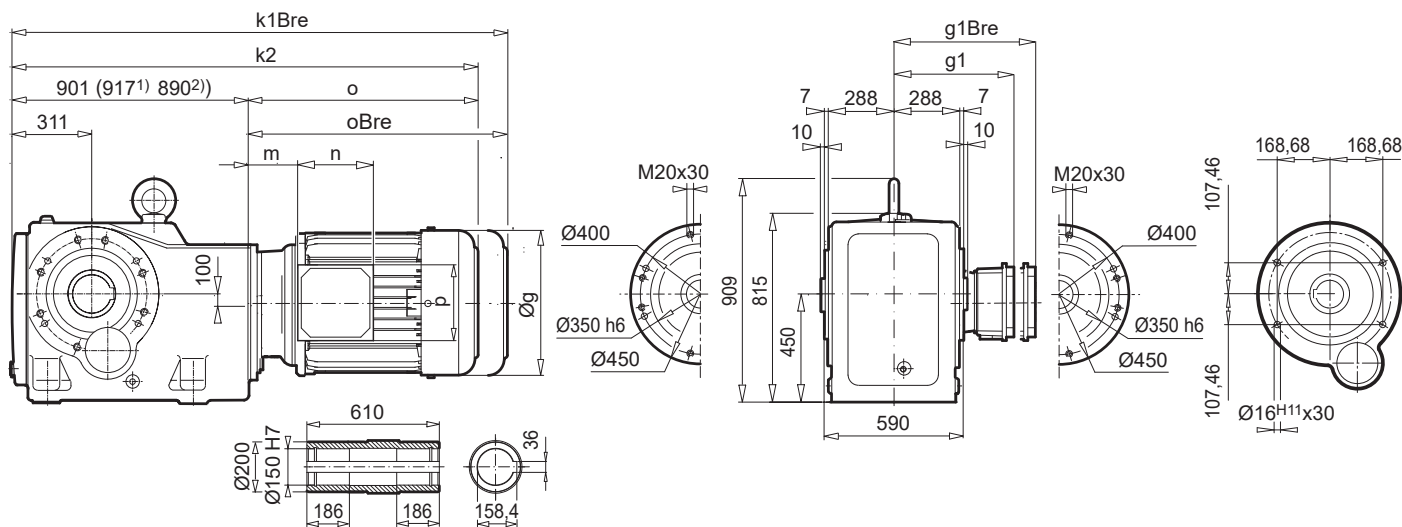


W⇒ A61 E124
IEC⇒ A12





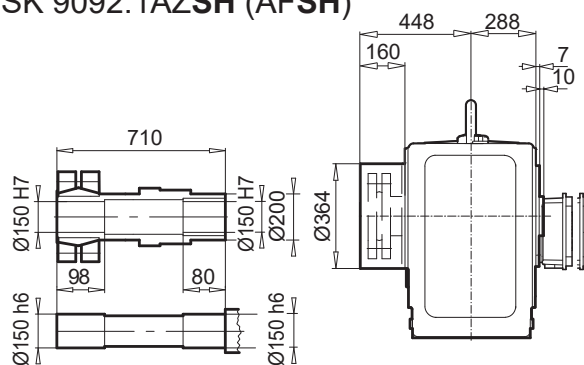
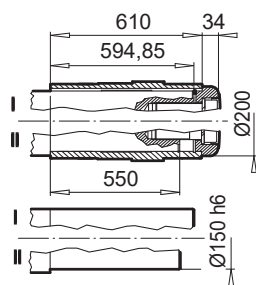
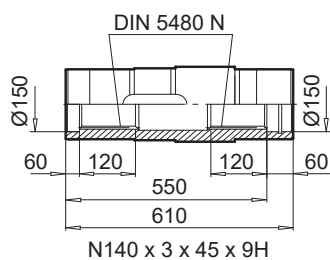
SK 9092.1AZ



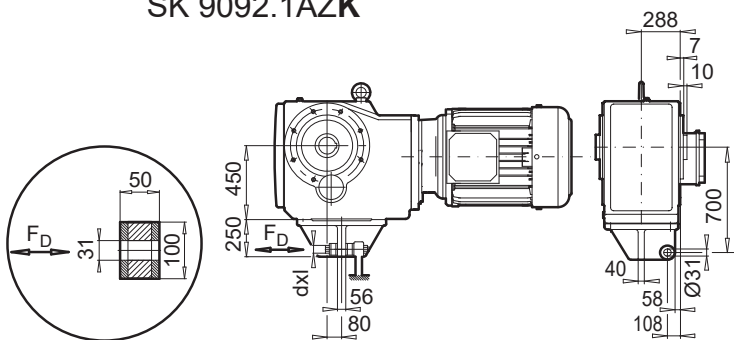
SK 9092.1AZEA

SK 9092.1AZB (AFB)

SK 9092.1AZSH (AFSH)



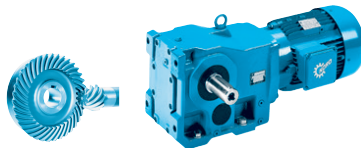
SK 9092.1AZK



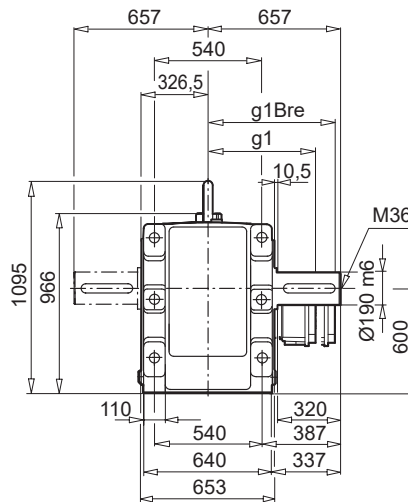
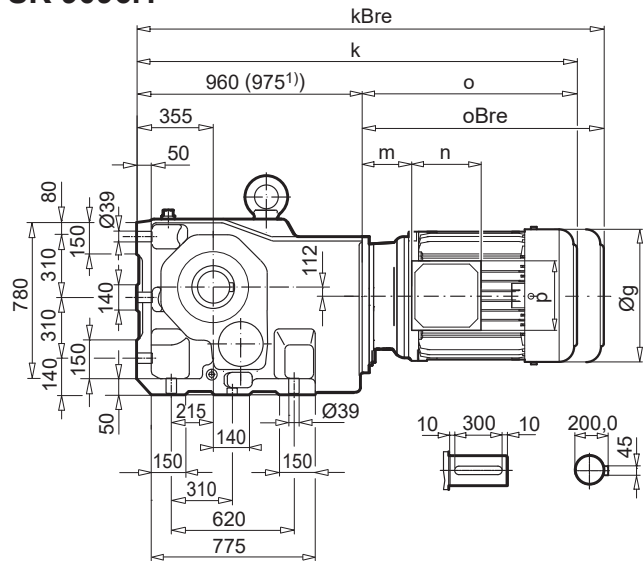
Helical-bevel
gear units

⇒ A61	160 SP/MP	160 LP	180 MP/LP	225 RP	225 SP/MP	250 WP ¹⁾	280 SP ¹⁾	280 MP ²⁾	315 SP ²⁾	315 MP/RP ²⁾	
g	320	320	358	443	443	443	551	551	616	616	 W⇒ E124 IEC⇒ A12
g1 / g1Bre	242 / 242	242 / 242	259 / 259	347 / 347	347 / 347	347 / 347	432 / 432	434 / 434	516 / -	516 / -	
k2 / k2Bre	1393 / 1528	1437 / 1572	1514 / 1640	1643 / 1823	1643 / 1823	1659 / 1839	1747 / 1947	1820 / 2000	1802 / -	1967 / -	
o / oBre	492 / 627	536 / 671	614 / 742	742 / 922	742 / 922	742 / 922	830 / 1010	930 / 1110	912 / -	1077 / -	
m / mBre	52 / 52	52 / 52	55 / 55	94 / 94	94 / 94	94 / 94	104 / 104	94 / 94	89 / -	89 / -	
n / nBre	186 / 186	186 / 186	186 / 186	245 / 245	245 / 245	245 / 245	233 / 233	233 / 233	299 / -	299 / -	
p / pBre	186 / 186	186 / 186	186 / 186	245 / 245	245 / 245	245 / 245	319 / 319	319 / 319	420 / -	420 / -	

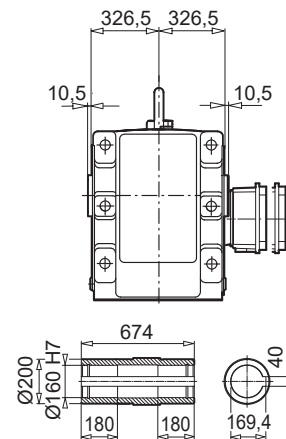
SK 9096.1



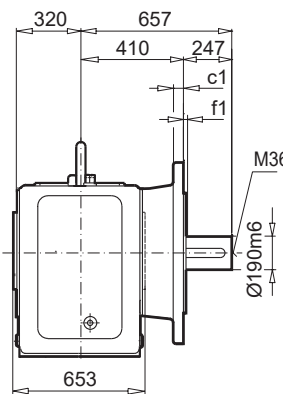
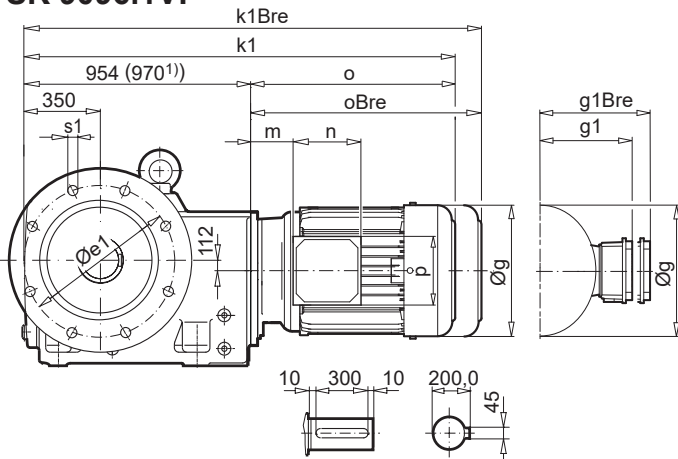
SK 9096.1



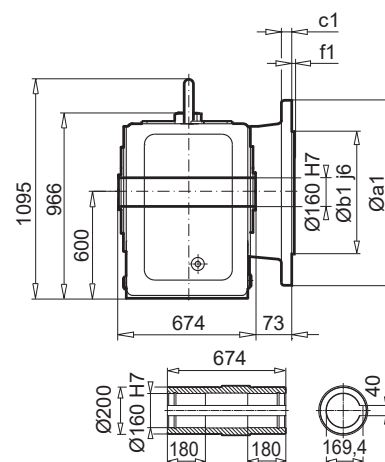
SK 9096.1AX



SK 9096.1VF

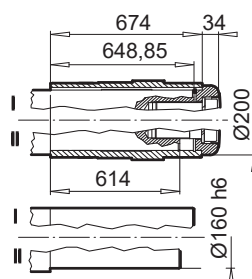


SK 9096.1AF



a1	b1	c1	e1	f1	s1
660	550	35	600	8	8 x 26

SK 9096.1AFB (AXB)

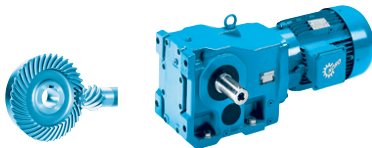


⇒ A61	160 SP/MP	160 LP	180 MP/LP	225 RP	225 SP/MP	250 WP ¹⁾	280 SP ¹⁾	280 MP ¹⁾	315 SP ¹⁾	315 MP/RP/LP ¹⁾
g	320	320	358	443	443	443	551	551	616	616
g1 / g1Bre	242 / 242	242 / 242	259 / 259	347 / 347	347 / 347	347 / 347	432 / 432	434 / 434	516 / -	516 / -
k / kBre	1452 / 1587	1496 / 1631	1574 / 1702	1702 / 1882	1702 / 1882	1717 / 1897	1805 / 1985	1905 / 2085	1887 / -	2052 / -
k1 / k1Bre	1446 / 1581	1490 / 1625	1568 / 1696	1696 / 1876	1696 / 1876	1712 / 1892	1794 / 1974	1894 / 2074	1876 / -	2041 / -
o / oBre	492 / 627	536 / 671	614 / 742	742 / 922	742 / 922	742 / 922	830 / 1010	930 / 1110	912 / -	1077 / -
m / mBre	52 / 52	52 / 52	55 / 55	94 / 94	94 / 94	94 / 94	104 / 104	94 / 94	89 / -	89 / -
n / nBre	186 / 186	186 / 186	186 / 186	245 / 245	245 / 245	245 / 245	233 / 233	233 / 233	299 / -	299 / -
p / pBre	186 / 186	186 / 186	186 / 186	245 / 245	245 / 245	245 / 245	319 / 319	319 / 319	420 / -	420 / -

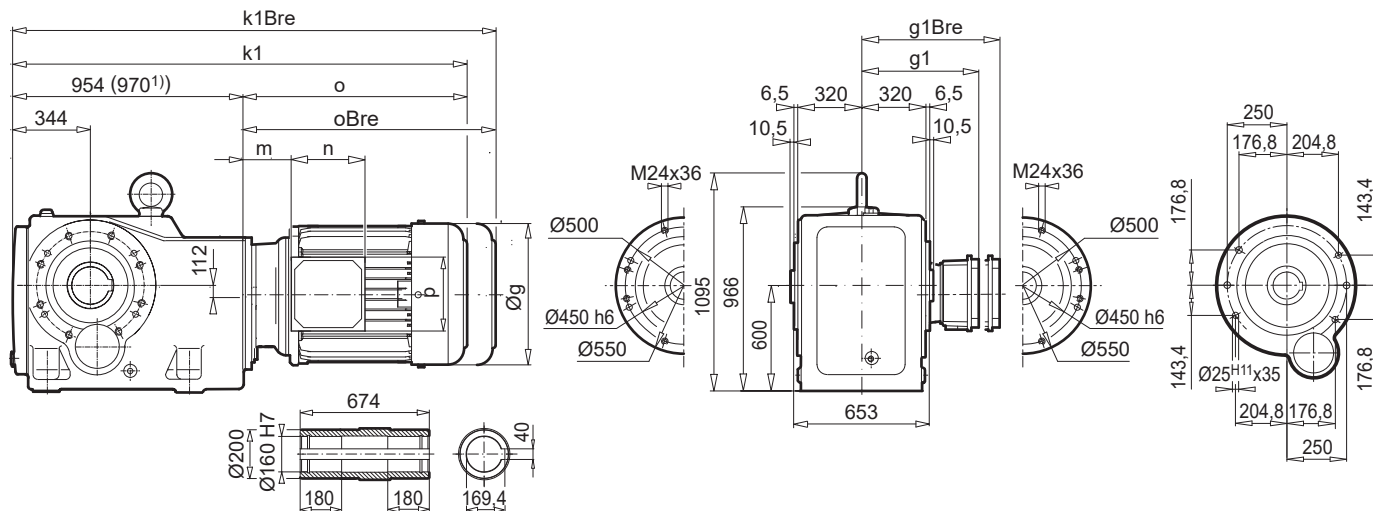


W⇒ E124
IEC⇒ A12

Helical-bevel gear units

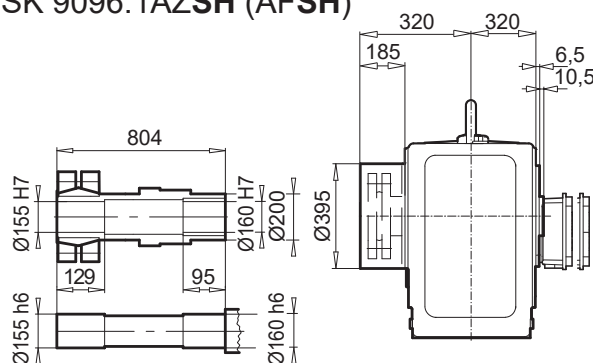
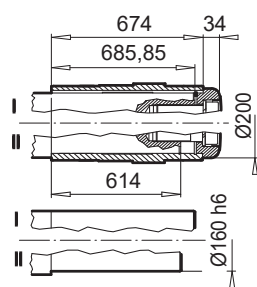


SK 9096.1AZ

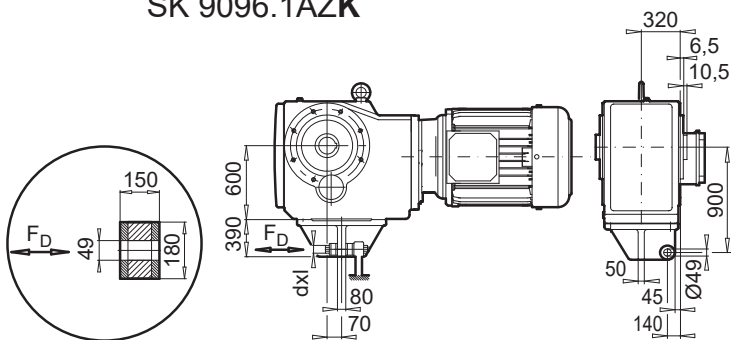


SK 9096.1AZB (AFB)

SK 9096.1AZSH (AFSH)



SK 9096.1AZK

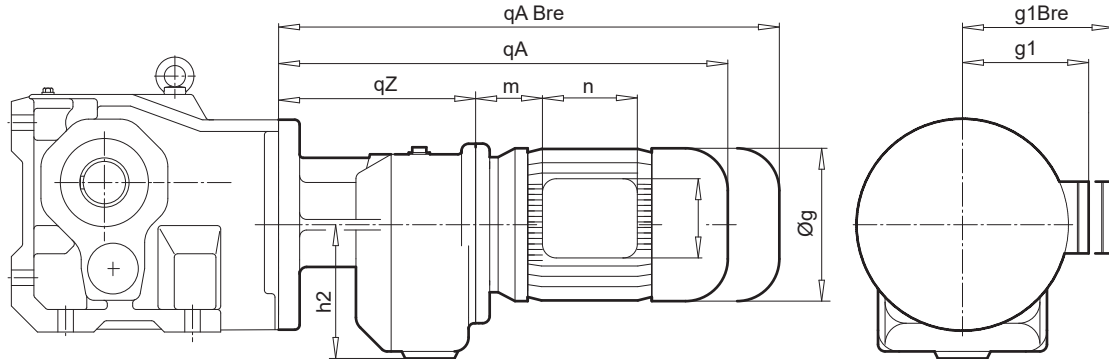
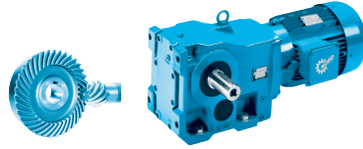


$F_D = 55,56 \text{ kN}$
 $S_{FD} = 27,0 \text{ mm}$
 $d_{xl} = M48 \times 520$
 A29

Helical-bevel
gear units

⇒ A61	160 SP/MP	160 LP	180 MP/LP	225 RP	225 SP/MP	250 WP ¹⁾	280 SP ¹⁾	280 MP ¹⁾	315 SP ¹⁾	315 MP/RP/LP ¹⁾	
g	320	320	358	443	443	443	551	551	616	616	
g1 / g1Bre	242 / 242	242 / 242	259 / 259	347 / 347	347 / 347	347 / 347	432 / 432	434 / 434	516 / -	516 / -	
k1 / k1Bre	1446 / 1581	1490 / 1625	1568 / 1696	1696 / 1876	1696 / 1876	1712 / 1892	1794 / 1974	1894 / 2074	1876 / -	2041 / -	W⇒ E124
o / oBre	492 / 627	536 / 671	614 / 742	742 / 922	742 / 922	742 / 922	830 / 1010	930 / 1110	912 / -	1077 / -	IEC⇒ A12
m / mBre	52 / 52	52 / 52	55 / 55	94 / 94	94 / 94	94 / 94	104 / 104	94 / 94	89 / -	89 / -	
n / nBre	186 / 186	186 / 186	186 / 186	245 / 245	245 / 245	245 / 245	233 / 233	233 / 233	299 / -	299 / -	
p / pBre	186 / 186	186 / 186	186 / 186	245 / 245	245 / 245	245 / 245	319 / 319	319 / 319	420 / -	420 / -	

SK 9072.1/32 - SK 9092.1/52



⇒	SK 9072.1/32								
	71 L	80 SH	80 LP	90 SP/LP	100 LP/AP	112 MP	132 SP		
g	145	165	165	184	202	226	264		
g1 / g1Bre	124 / 134	142 / 142	142 / 142	148 / 148	170 / 172	180 / 182	204 / 202		
qA / qABre	449 / 507	474 / 538	492 / 556	515 / 590	545 / 636	593 / 687	654 / 761		
o / oBre	230 / 288	255 / 319	255 / 319	296 / 371	326 / 417	374 / 468	435 / 542		
qz	219								
m / mBre	36 / 42	41 / 44	41 / 44	46 / 49	52 / 55	58 / 61	71 / 62		
n / nBre	100 / 134	114 / 153	114 / 153	114 / 153	114 / 153	114 / 153	122 / 185		
p / pBre	100 / 89	114 / 108	114 / 108	114 / 108	114 / 108	114 / 108	122 / 139		
h2	155								
⇒	SK 9072.1 ⇒								



W⇒ E121
IEC⇒ A12



⇒	SK 9072.1/42			SK 9082.1/42					
	100 LP/AP	112 MP	132 MP	90 SP/LP	100 LP/AP	112 MP	132 SP	160 SP	
g	202	226	264	184	164	226	264	320	
g1 / g1Bre	170 / 172	180 / 182	204 / 202	148 / 148	142 / 142	180 / 182	204 / 202	242 / 242	
qA / qABre	566 / 657	614 / 707	675 / 782	536 / 611	566 / 657	614 / 707	675 / 782	752 / 887	
o / oBre	306 / 397	354 / 447	415 / 522	276 / 351	306 / 397	354 / 447	415 / 522	492 / 627	
qz	260			260					
m / mBre	32 / 35	38 / 41	51 / 42	26 / 30	32 / 35	38 / 41	51 / 42	52 / 52	
n / nBre	114 / 153	114 / 153	122 / 185	114 / 153	114 / 153	114 / 153	122 / 185	186 / 186	
p / pBre	114 / 108	114 / 108	122 / 139	114 / 108	114 / 108	114 / 108	122 / 139	186 / 186	
h2	175			175					
⇒	SK 9072.1 ⇒			SK 9082.1 ⇒					



W⇒ E122
IEC⇒ A12

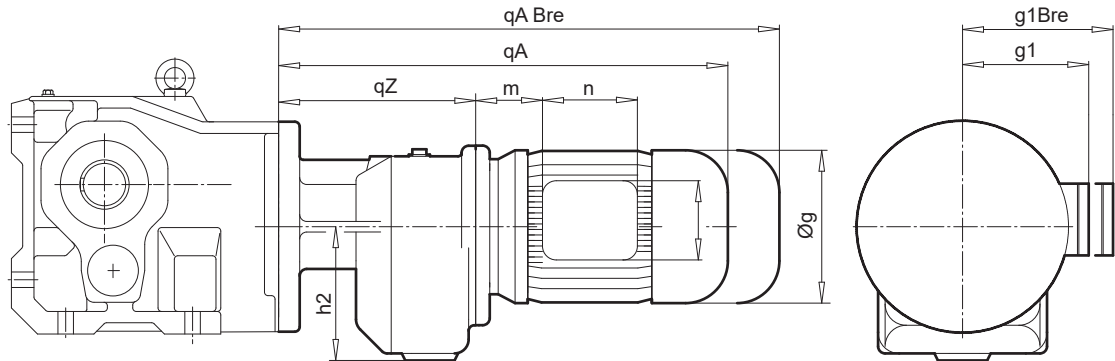
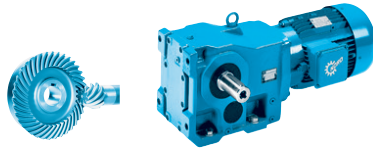









⇒	SK 9082.1/52 *, SK 9086.1/52							SK 9092.1/52						
	90 SP/LP	100 LP/AP	112 MP *	132 SP/MP *	160 SP/MP *	160 LP *	180 MP/LP *	90 SP/LP	100 LP/AP	112 MP	132 SP/MP	160 SP/MP	160 LP	
g	184	202	226	264	320	320	358	184	202	226	264	320	320	358
g1 / g1Bre	148 / 148	170 / 172	180 / 182	204 / 202	242 / 242	242 / 242	259 / 259	148 / 148	170 / 172	180 / 182	204 / 202	242 / 242	242 / 242	259 / 259
qA / qABre	576 / 651	606 / 697	654 / 747	715 / 822	792 / 927	836 / 971	934 / 1062	536 / 611	566 / 657	614 / 708	675 / 782	752 / 887	836 / 971	934 / 1062
o / oBre	276 / 351	306 / 397	354 / 447	415 / 522	492 / 627	536 / 671	634 / 762	276 / 351	306 / 397	354 / 448	415 / 522	492 / 627	536 / 671	634 / 762
qz	300							300						
m / mBre	26 / 30	32 / 35	38 / 41	51 / 42	52 / 52	52 / 52	74 / 74	26 / 30	32 / 35	38 / 41	51 / 42	52 / 52	52 / 52	74 / 74
n / nBre	114 / 153	114 / 153	114 / 153	122 / 185	186 / 186	186 / 186	186 / 186	114 / 153	114 / 153	114 / 153	122 / 185	186 / 186	186 / 186	186 / 186
p / pBre	114 / 108	114 / 108	114 / 108	122 / 139	186 / 186	186 / 186	186 / 186	114 / 108	114 / 108	114 / 108	122 / 139	186 / 186	186 / 186	186 / 186
h2	212							212						
⇒	SK 9082.1 ⇒ , SK 9086.1 ⇒							SK 9092.1 ⇒						

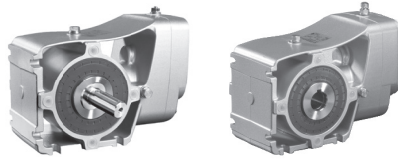
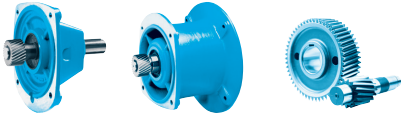


W⇒ E122
IEC⇒ A12



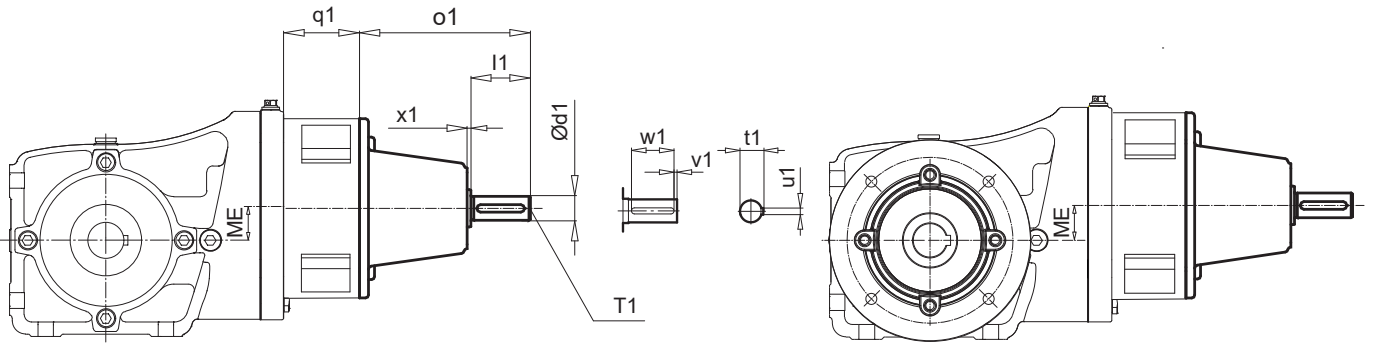


⇒  A61	SK 9096.1/62									 W⇒  E123 IEC⇒  A12 
	100 LP/AP	112 MP	132 SP/MP	160 SP/MP	160 LP	180 MP/LP	225 RP	225 SP/MP		
g	202	226	264	320	320	358	443	443		
g1 / g1Bre	170 / 172	180 / 182	204 / 202	242 / 242	242 / 242	259 / 259	347 / 347	347 / 347		
qA / qABre	707 / 798	755 / 848	816 / 923	893 / 1028	937 / 1072	1015 / 1143	1143 / 1323	1143 / 1323		
o / oBre	306 / 397	354 / 447	415 / 522	492 / 627	536 / 671	614 / 742	742 / 922	742 / 922		
qz	401									
m / mBre	32 / 35	38 / 41	51 / 42	52 / 52	52 / 52	55 / 55	94 / 94	94 / 94		
n / nBre	114 / 153	114 / 153	122 / 185	186 / 186	186 / 186	186 / 186	245 / 245	245 / 245		
p / pBre	114 / 108	114 / 108	122 / 139	186 / 186	186 / 186	186 / 186	245 / 245	245 / 245		
h2	245									
⇒ 	SK 9096.1 ⇒  E112-113									



SK 92072.1 V (A) - W
SK 92172.1 V (A) - W

SK 92072.1 VF (AF) - W
SK 92172.1 VF (AF) - W

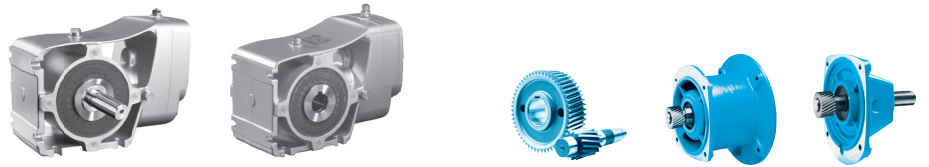


Type	q1
SK 92072.1	64
SK 92172.1	64

Type	⇒
SK 92072.1	E60-61
SK 92172.1	E62-63

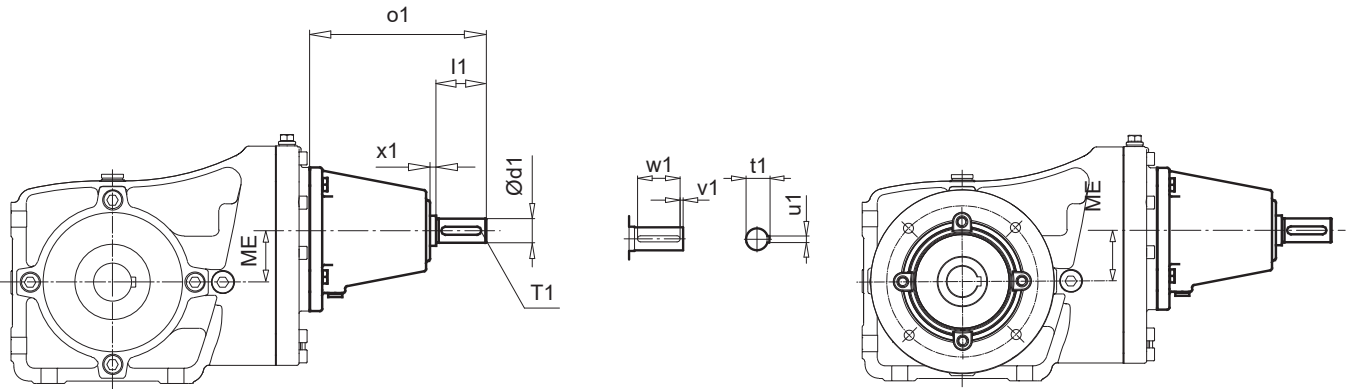
Helical-bevel gear units

Gear units types	ME	d1	l1	o1	x1	u1	t1	v1	w1	T1
SK 92072.1 V (A) / SK 92072.1 VF (AF)	31	16	40	114,5	2,5	5	18	4	32	M6
SK 92172.1 V (A) / SK 92172.1 VF (AF)	39	16	40	114,5	2,5	5	18	4	32	M6



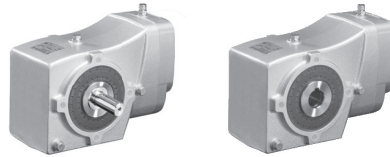
SK 92372.1 V (A) - W
SK 92672.1 V (A) - W
SK 92772.1 V (A) - W

SK 92372.1 VF (AF) - W
SK 92672.1 VF (AF) - W
SK 92772.1 VF (AF) - W



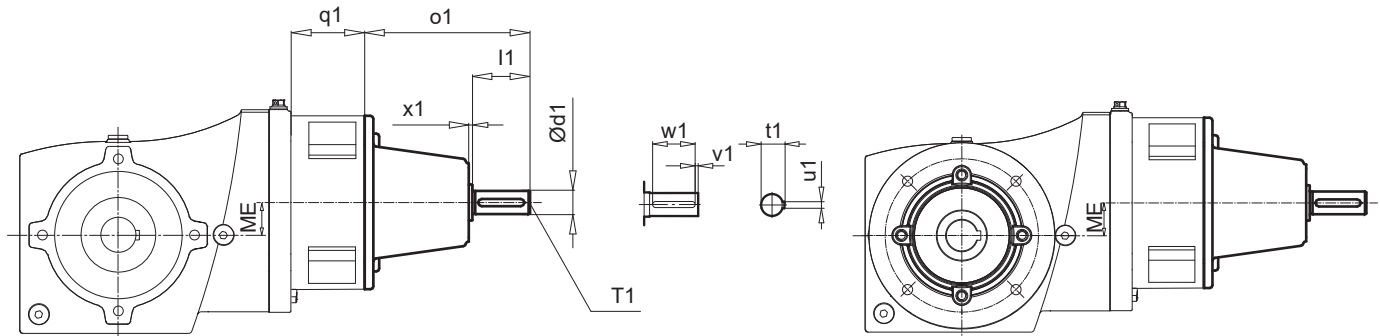
Type	⇒
SK 92372.1	E64-65
SK 92672.1	E66-67
SK 92772.1	E68-69

Gear units types	ME	d1	l1	o1	x1	u1	t1	v1	w1	T1
SK 92372.1 V (A) / SK 92372.1 VF (AF)	45	24	50	177,5	8	8	27	5	40	M8
SK 92672.1 V (A) / SK 92672.1 VF (AF)	57	24	50	177,5	8	8	27	5	40	M8
SK 92772.1 V (A) / SK 92772.1 VF (AF)	77	24	50	177,5	8	8	27	5	40	M8



SK 93072.1 V (A) - W
SK 93172.1 V (A) - W

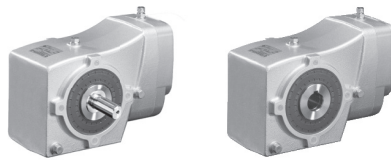
SK 93072.1 VF (AF) - W
SK 93172.1 VF (AF) - W



Type	q1
SK 93072.1	64
SK 93172.1	64

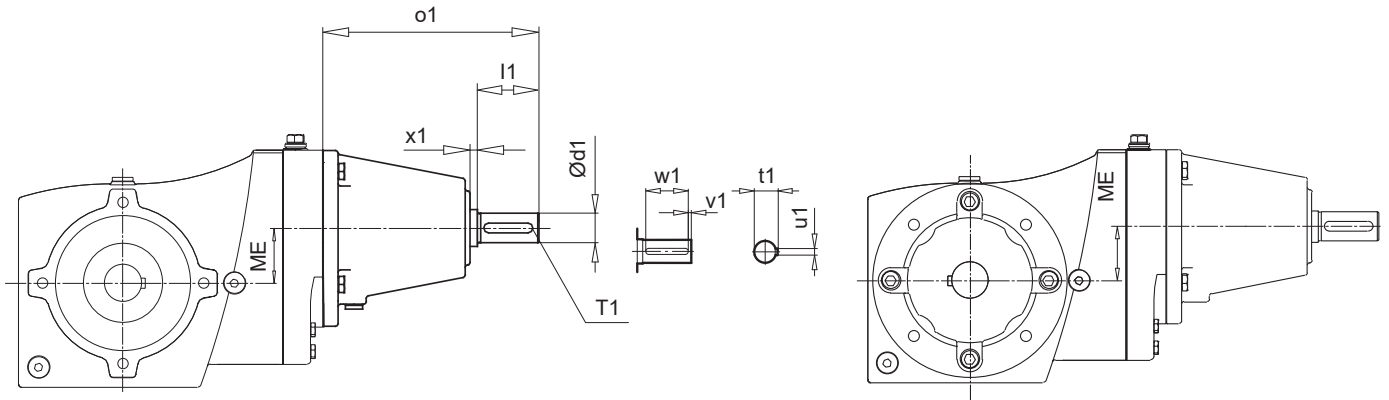
Type	⇒
SK 93072.1	E70-71
SK 93172.1	E72-73

Gear units types	ME	d1	l1	o1	x1	u1	t1	v1	w1	T1
SK 93072.1 V (A) / SK 93072.1 VF (AF)	31	16	40	114,5	2,5	5	18	4	32	M6
SK 93172.1 V (A) / SK 93172.1 VF (AF)	39	16	40	114,5	2,5	5	18	4	32	M6



SK 93372.1 V (A) - W
 SK 93672.1 V (A) - W
 SK 93772.1 V (A) - W

SK 93372.1 VF (AF) - W
 SK 93672.1 VF (AF) - W
 SK 93772.1 VF (AF) - W

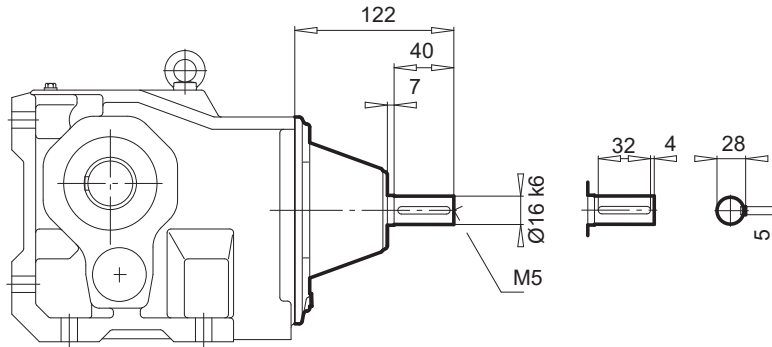


Type	⇒
SK 93372.1	E74-75
SK 93672.1	E76-77
SK 93772.1	E78-79

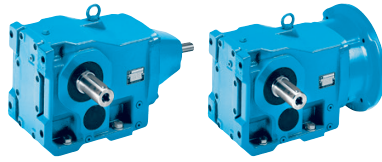
Gear units types	ME	d1	l1	o1	x1	u1	t1	v1	w1	T1
SK 93372.1 V (A) / SK 93372.1 VF (AF)	45	24	50	177,5	8	8	27	5	40	M8
SK 93672.1 V (A) / SK 93672.1 VF (AF)	57	24	50	177,5	8	8	27	5	40	M8
SK 93772.1 V (A) / SK 93772.1 VF (AF)	77	24	50	177,5	8	8	27	5	40	M8



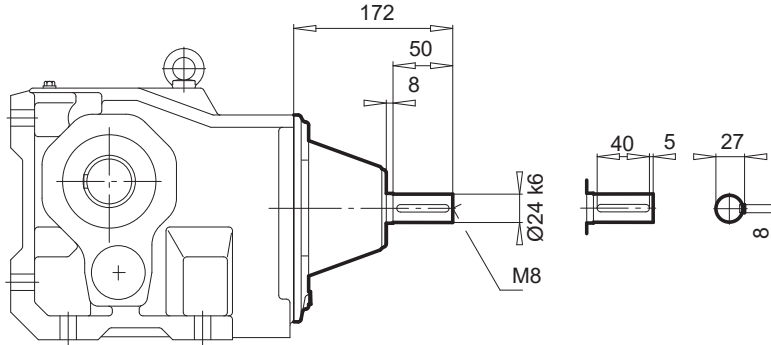
SK ... - W



Type	⇒
SK 9012.1	E80-81
SK 9013.1	E82-83
SK 9016.1	E84-85
SK 9017.1	E86-87
SK 9022.1	E88-89
SK 9023.1	E90-91
SK 9033.1	E94-95



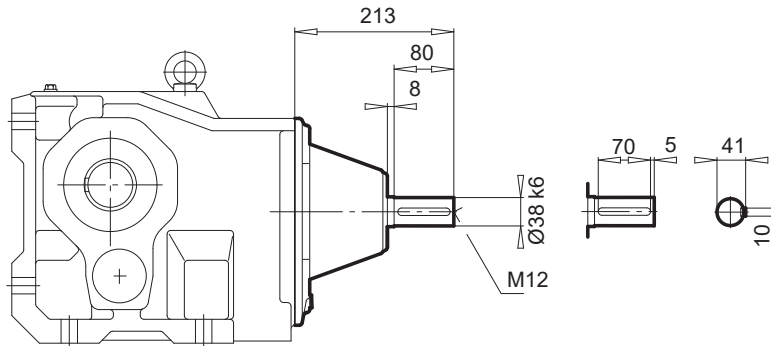
SK ... - W



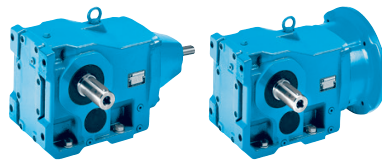
Type	⇒
SK 9032.1	E92-93
SK 9043.1	E98-99
SK 9053.1	E102-103
SK 9072.1/32	E114



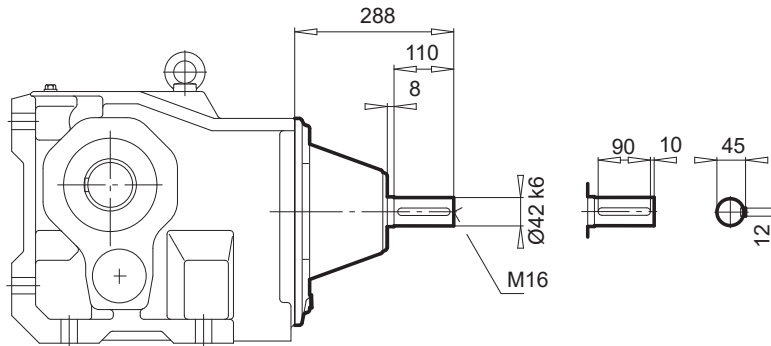
SK ... - W



Type	⇒
SK 9042.1	E96-97
SK 9052.1	E100-101
SK 9072.1/42	E114
SK 9082.1/42	E114
SK 9082.1/52	E114
SK 9086.1/52	E114
SK 9092.1/52	E114



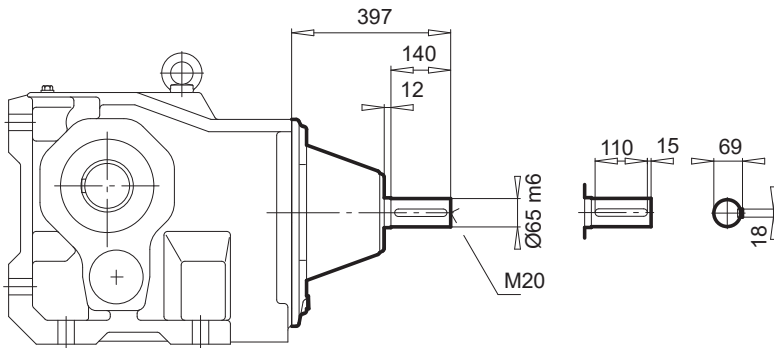
SK ... - W



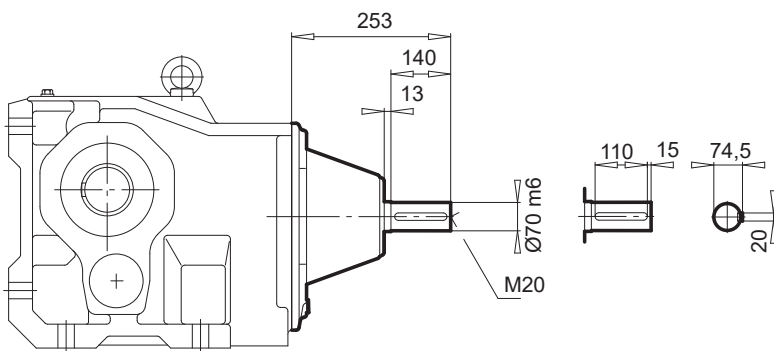
Type	⇒
SK 9072.1	E104-105
SK 9092.1/62	E115



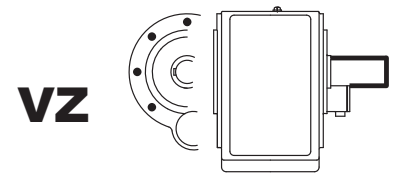
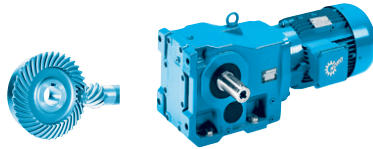
SK ... - W



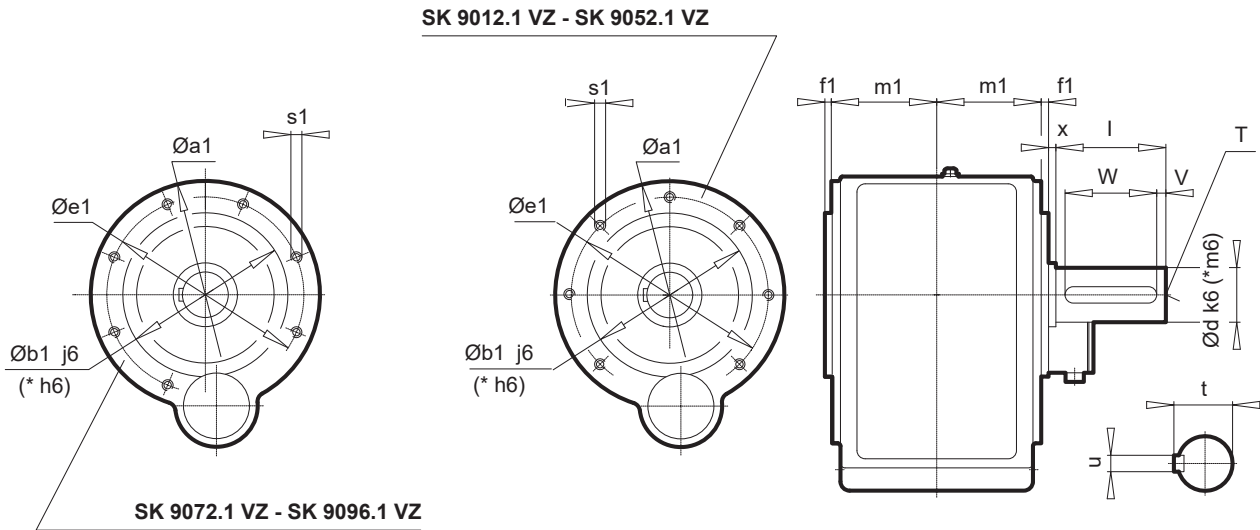
Type	⇒
SK 9082.1	E106-107
SK 9086.1	E108-109
SK 9092.1	E110-111



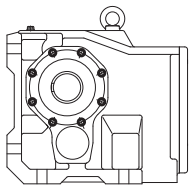
Type	⇒
SK 9096.1	E112-113



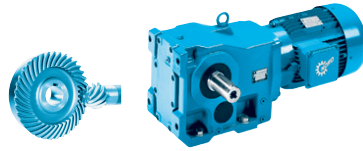
SK ... VZ



⇒ A61	a1	b1	e1	f1	s1	m1	d	l	t	u	v	w	x	T
SK 9012.1 VZ SK 9013.1 VZ	140	95	115	3	M8 x 13	68	30	60	33,0	8	5	50	4	M10
SK 9016.1 VZ SK 9017.1 VZ	140	95	115	3	M8 x 13	68	35	70	38,0	10	5	60	4	M12
SK 9022.1 VZ SK 9023.1 VZ	160	110	130	4	M8 x 13	82	35	70	38,0	10	5	60	5	M12
SK 9032.1 VZ SK 9033.1 VZ	200	130	165	3	M10 x 16	97	45	90	48,5	14	5	80	6	M16
SK 9042.1 VZ SK 9043.1 VZ	250	180	215	7	M12 x 20	108	*60	120	64,0	18	10	100	5	M20
SK 9052.1 VZ SK 9053.1 VZ	300	230	265	4	M12 x 20	141	*70	140	74,5	20	15	110	6	M20
SK 9072.1 VZ SK 9072.1/32 VZ SK 9072.1/42 VZ	350	*250	300	5	M16 x 25	165	*90	170	95,0	25	15	140	17	M24
SK 9082.1 VZ SK 9082.1/42 VZ SK 9082.1/52 VZ	400	*300	350	7	M16 x 25	195	*110	210	116,0	28	15	180	8	M24
SK 9086.1 VZ SK 9086.1/52 VZ	450	*350	400	7	M20 x 30	235	*120	210	127,0	32	15	180	8	M24
SK 9092.1 VZ SK 9092.1/52 VZ	450	*350	400	7	M20 x 30	288	*140	250	148,0	36	15	220	10	M24
SK 9096.1 VZ SK 9096.1/62 VZ	550	*450	500	6,5	M24 x 30	320	*190	320	200,0	45	10	300	10,5	M30 x 60

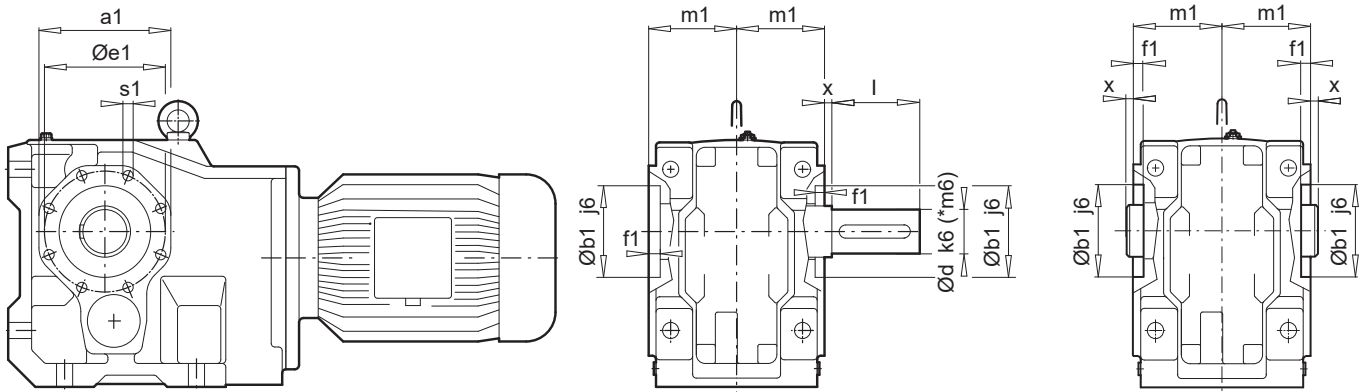


**VXZ
AXZ**



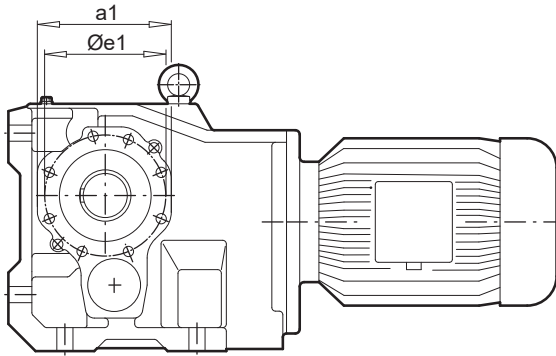
NORD®
DRIVESYSTEMS

SK ... VXZ



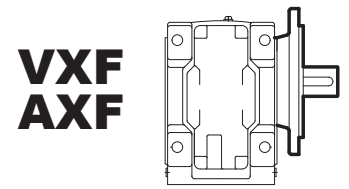
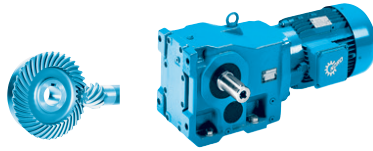
**** SK9052.1 VXZ (AXZ)**

(on inquiries and orders please specify a1 and Øe1 dimensions)



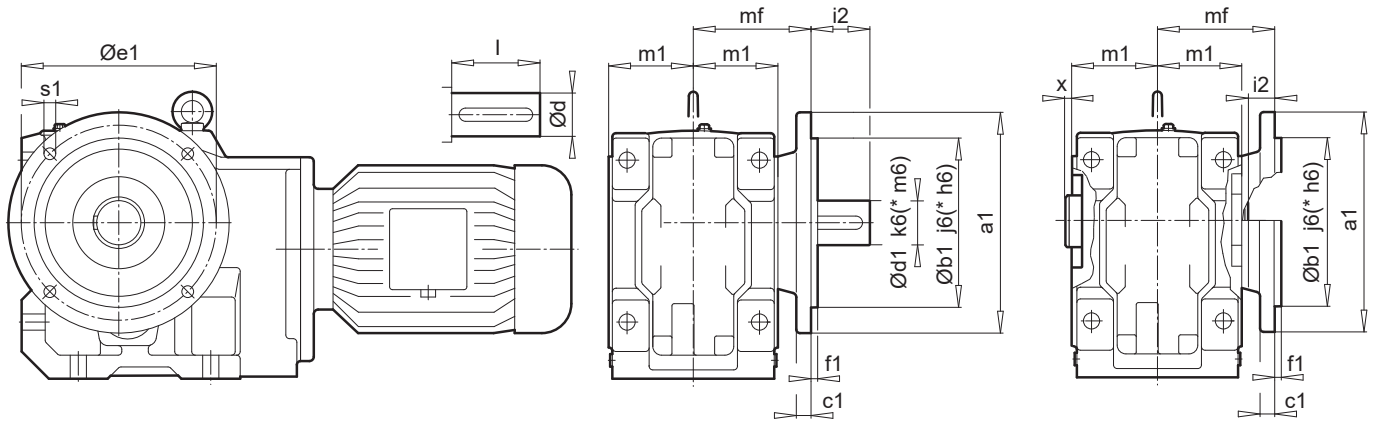
Helical-bevel gear units

⇒ A61		a1	b1	e1	f1	s1	m1	d	l	x
SK 9012.1 VXZ (AXZ) SK 9013.1 VXZ (AXZ)		110	75	100	4	M8 x 13	71	30	60	4
SK 9016.1 VXZ (AXZ) SK 9017.1 VXZ (AXZ)		110	75	100	4	M8 x 13	71	35	70	4
SK 9022.1 VXZ (AXZ) SK 9023.1 VXZ (AXZ)		125	90	115	4	M8 x 13	86	35	70	5
SK 9032.1 VXZ (AXZ) SK 9033.1 VXZ (AXZ)		150	100	130	5	M10 x 16	100	45	90	6
SK 9042.1 VXZ (AXZ) SK 9043.1 VXZ (AXZ)		180	125	165	5	M12 x 20	115	*60	120	5
** SK 9052.1 VXZ (AXZ) SK 9053.1 VXZ (AXZ)		230	180	205	5	M12 x 20	145	*70	140	6
SK 9072.1 VXZ (AXZ) SK 9072.1/32 VXZ (AXZ) SK 9072.1/42 VXZ (AXZ)		250	180	215	5	M12 x 20	170	*90	170	17
SK 9082.1 VXZ (AXZ) SK 9082.1/42 VXZ (AXZ) SK 9082.1/52 VXZ (AXZ)		300	230	265	5	M12 x 20	200	*110	210	8
SK 9086.1 VXZ (AXZ) SK 9086.1/52 VXZ (AXZ)		350	250	300	15	M16 x 25	238	*120	210	8
SK 9092.1 VXZ SK 9092.1/52 VXZ		400	290	350	18	M20 x 30	295	*140	250	10
SK 9096.1 VXZ SK 9096.1/62 VXZ		440	310	400	18	M20 x 30	326,5	*190	320	10,5

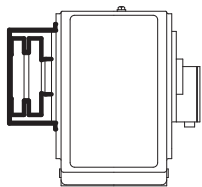


SK ... VXF

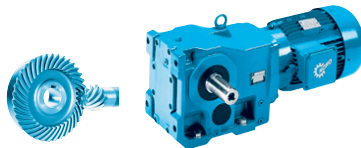
SK ... AXF



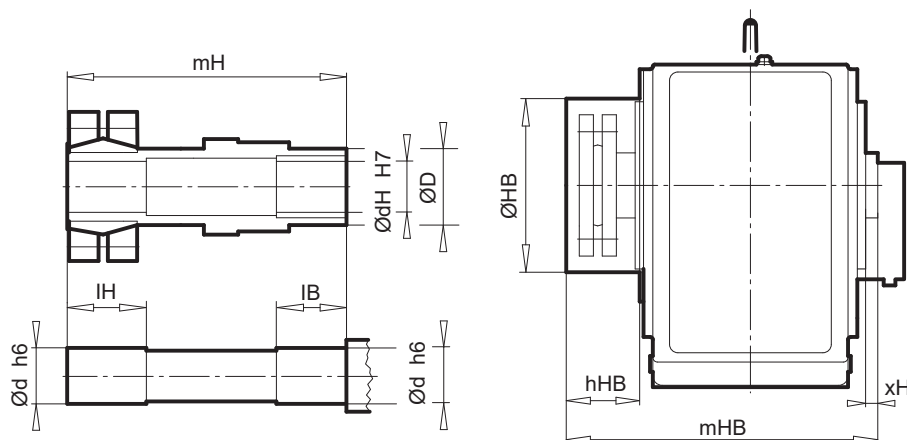
⇒ A61		a1	b1	c1	e1	f1	s1	i2	m1	mF	d	l	x
SK 9012.1	VXF (AXF)	160	110	12	130	3,5	9	34 (27)	71	101	30	60	3
SK 9013.1	VXF (AXF)												
SK 9016.1	VXF (AXF)	160	110	12	130	3,5	9	44 (27)	71	101	35	70	3
SK 9017.1	VXF (AXF)							34 (27)					
SK 9022.1	VXF (AXF)	200	130	12	165	3,5	11	39 (31)	86	121	35	70	4
SK 9023.1	VXF (AXF)												
SK 9032.1	VXF (AXF)	250	180	16	215	4,0	13,5	56 (35)	100	140	45	90	5
SK 9033.1	VXF (AXF)												
SK 9042.1	VXF (AXF)	300	230	20	265	4,0	17,5	80 (40)	115	160	*60	120	5
SK 9043.1	VXF (AXF)												
SK 9052.1	VXF (AXF)	350	*250	20	300	5,0	17,5	86 (55)	145	205	*70	140	5
SK 9053.1	VXF (AXF)												
SK 9072.1	VXF (AXF)	400	*300	20	350	5,0	18	112 (65)	170	235	*90	170	0
SK 9072.1/32	VXF (AXF)												
SK 9072.1/42	VXF (AXF)												



AZVSH

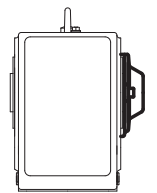
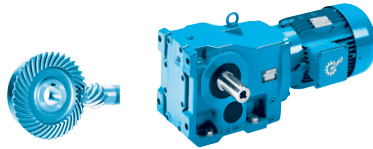


SK ... AZVSH ⇒ A33



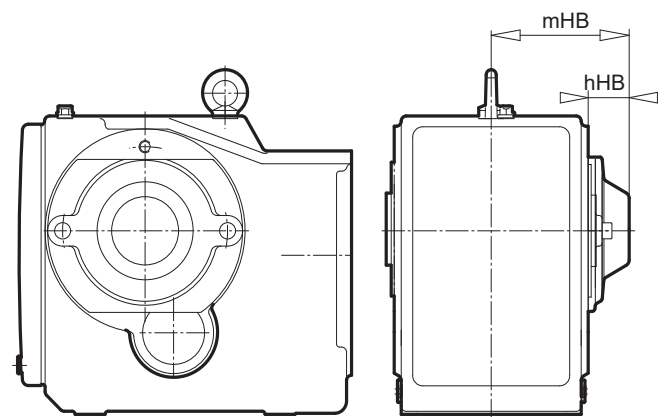
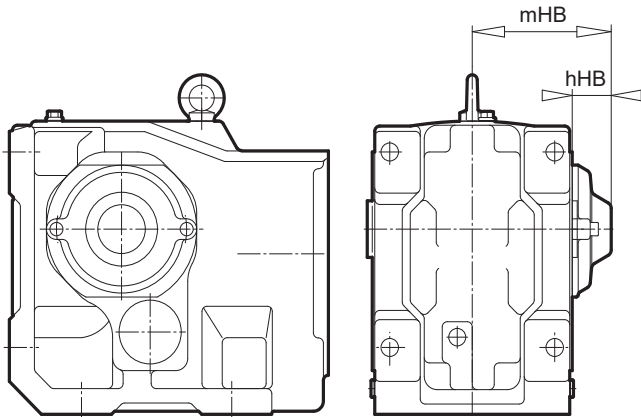
Helical-bevel gear units

⇒ A61	D	dH	d	IB	IH	mH	xH	hHB	HB	mHB
SK 9072.1 AZVSH SK 9072.1/32 AZVSH SK 9072.1/42 AZVSH	120	95(85)	95(85)	80	110	464	5	170	17	487
SK 9082.1 AZVSH SK 9082.1/42 AZVSH SK 9082.1/52 AZVSH	140	110	110	80	160	587	8	210	8	613
SK 9086.1 AZVSH SK 9086.1/52 AZVSH	160	130	130	80	170	674	8	210	8	720
SK 9092.1 AZVSH SK 9092.1/52 AZVSH	200	150	150	100	130	754	10	250	10	828
SK 9096.1 AZVSH SK 9096.1/62 AZVSH	200	160	155	95	229	904	10,5	320	10,5	929

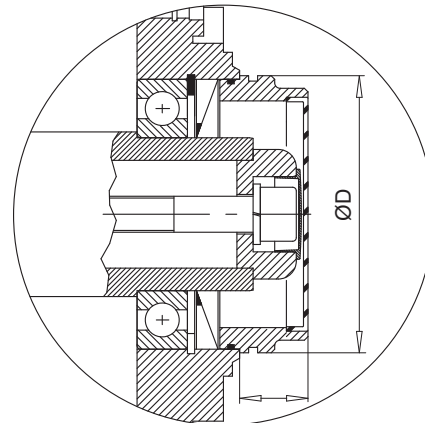


SK ... AXZH

SK ... AZH

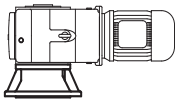


**SK ... AZH66
SK ... AXH66**

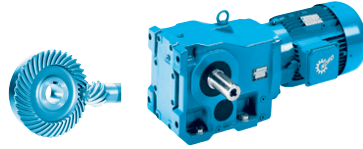


⇒ A61		hHB	mHB
SK 9012.1	AXZH	37	108
SK 9012.1	AZH	42	110
SK 9013.1	AXZH	37	108
SK 9013.1	AZH	42	110
SK 9016.1	AXZH	37	108
SK 9016.1	AZH	42	110
SK 9017.1	AXZH	37	108
SK 9017.1	AZH	42	110
SK 9022.1	AXZH	42	128
SK 9022.1	AZH	44	126
SK 9023.1	AXZH	42	128
SK 9023.1	AZH	44	126
SK 9032.1	AXZH	44	144
SK 9032.1	AZH	47	144
SK 9033.1	AXZH	44	144
SK 9033.1	AZH	47	144
SK 9042.1	AXZH	45	160
SK 9042.1	AZH	55	163
SK 9043.1	AXZH	45	160
SK 9043.1	AZH	55	163
SK 9052.1	AXZH	47	192
SK 9052.1	AZH	60	201
SK 9053.1	AXZH	47	192
SK 9053.1	AZH	60	201
SK 9072.1	AXZH	53	223
SK 9072.1	AZH	62	227
SK 9082.1	AXZH	60	260
SK 9082.1	AZH	65	260
SK 9086.1	AXZH	53	291
SK 9086.1	AZH	84	319
SK 9092.1	AXZH	65	360
SK 9092.1	AZH	84	372
SK 9096.1	AXZH	84	410,5
SK 9096.1	AZH	58	378

⇒ A61			D	L	
SK 9012.1	AXH66	SK 9013.1	AXH66	80	25
SK 9012.1	AZH66	SK 9013.1	AZH66	85	28
SK 9016.1	AXH66	SK 9017.1	AXH66	80	25
SK 9016.1	AZH66	SK 9017.1	AZH66	85	28
SK 9022.1	AXH66	SK 9023.1	AXH66	95	30
SK 9022.1	AZH66	SK 9023.1	AZH66	104	34
SK 9032.1	AXH66	SK 9033.1	AXH66	104	34
SK 9032.1	AZH66	SK 9033.1	AZH66	115	35
SK 9042.1	AXH66	SK 9043.1	AXH66	104	35
SK 9042.1	AZH66	SK 9043.1	AZH66	145	38
SK 9052.1	AXH66	SK 9053.1	AXH66	188	44
SK 9052.1	AZH66	SK 9053.1	AZH66	188	44
SK 9072.1	AXH66			188	44
SK 9072.1	AZH66			188	44
SK 9082.1	AXH66			245	50
SK 9082.1	AZH66			260	54
SK 9086.1	AXH66			260	54
SK 9086.1	AZH66			315	50

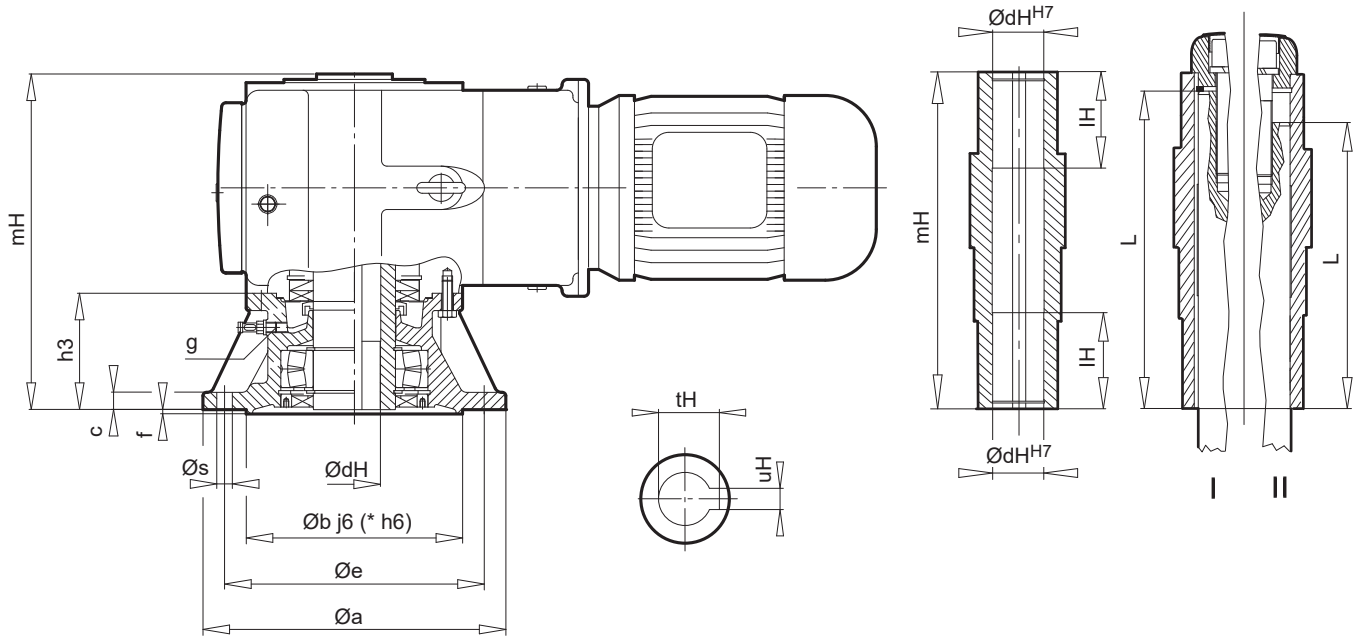


AF(B)VL2 AF(B)VL3



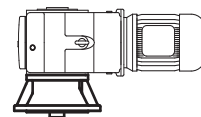
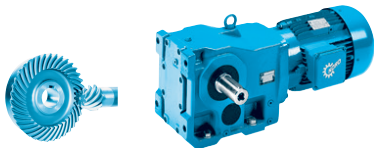
SK ... AFVL → A38

SK ... AF(B)VL

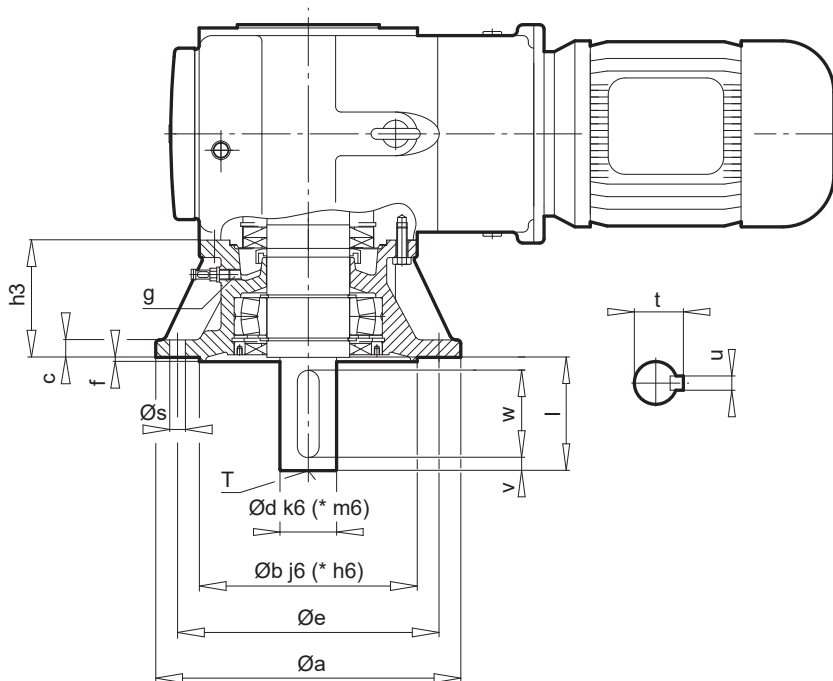


Helical-bevel gear units

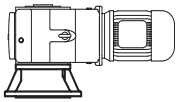
⇒ A61		a	b	c	e	f	h3	s	g	dH	uH	tH	mH	IH	L I	L II
SK 9012.1 SK 9013.1	AF .. AF ..	200	130	12	165	3,5	75	4 x 11	M12 x 1,5	35	10	38,3	218	50	210,15	190
SK 9016.1 SK 9017.1	AF .. AF ..	200	130	12	165	3,5	75	4 x 11	M12 x 1,5	35	10	38,5	218	50	208,85	190
SK 9022.1 SK 9023.1	AF .. AF ..	250	180	16	215	4,0	86	4 x 13,5	M12 x 1,5	40	12	43,3	258	60	247,85	228
SK 9032.1 SK 9033.1	AF .. AF ..	300	230	20	265	4,0	85	4 x 14	M12 x 1,5	50	14	53,8	287	70	276,35	247
SK 9042.1 SK 9043.1	AF .. AF ..	350	*250	20	300	5,0	134,5	4 x 18	M12 x 1,5	60	18	64,4	362,5	80	350,30	317,5 (322,5)
SK 9052.1 SK 9053.1	AF .. AF ..	400	*300	22	350	5,0	166	4 x 18	M24 x 1,5	70	20	74,9	457	100	444,75	412
SK 9072.1 SK 9072.1/32 SK 9072.1/42	AF .. AF .. AF ..	450	*350	24	400	5,0	184	8 x 18	M24 x 1,5	80	22	85,4	524	120	510,85	464
SK 9082.1 SK 9082.1/42 SK 9082.1/52	AF .. AF .. AF ..	550	*450	28	500	5,0	210	8 x 18	M30 x 2,0	110	28	116,4	615	140	599,85	555 (560)
SK 9086.1 SK 9086.1/52	AF .. AF ..	660	*550	32	600	6,0	262	8 x 22	M30 x 2,0	120	32	127,4	747	160	731,85	687



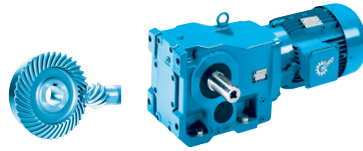
SK ... VFVL



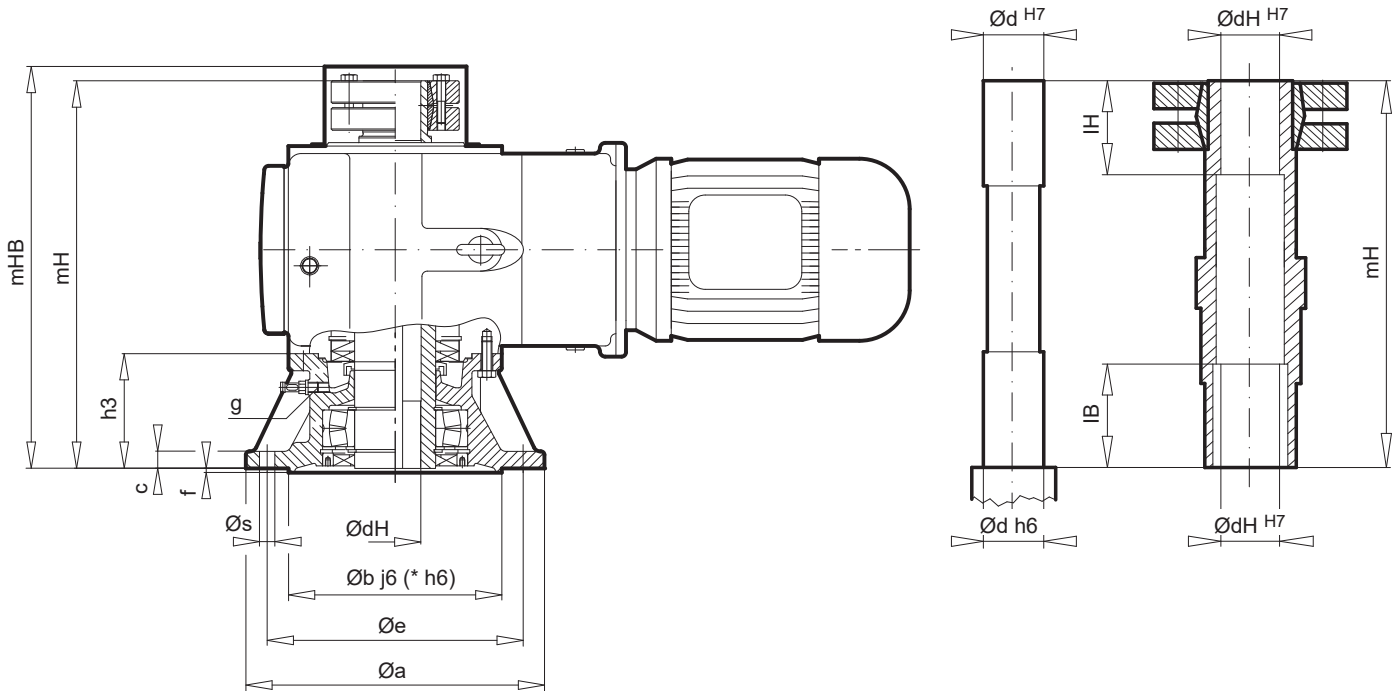
⇒ A61	a	b	c	e	f	h3	s	g	d	l	t	u	v	w	T
SK 9012.1 VF .. SK 9013.1 VF ..	200	130	12	165	3,5	75	4 x 11	M12 x 1,5	30	60	33,0	8	5	50	M10
SK 9016.1 VF .. SK 9017.1 VF ..	200	130	12	165	3,5	75	4 x 11	M12 x 1,5	35	70	38,0	10	7	56	M12
SK 9022.1 VF .. SK 9023.1 VF ..	250	180	16	215	4,0	86	4 x 14	M12 x 1,5	35	70	38,0	10	7	56	M12
SK 9032.1 VF .. SK 9033.1 VF ..	300	230	20	265	4,0	85	4 x 14	M12 x 1,5	45	90	48,5	14	5	80	M16
SK 9042.1 VF .. SK 9043.1 VF ..	350	*250	20	300	5,0	134,5	4 x 18	M12 x 1,5	*65	130	69,0	18	15	100	M20
SK 9052.1 VF .. SK 9053.1 VF ..	400	*300	22	350	5,0	166	4 x 18	M24 x 1,5	*75	140	79,5	20	7,5	125	M20
SK 9072.1 VF .. SK 9072.1/32 VF .. SK 9072.1/42 VF ..	450	*350	24	400	5,0	184	8 x 18	M24 x 1,5	*90	170	95,0	25	15	140	M24
SK 9082.1 VF .. SK 9082.1/42 VF .. SK 9082.1/52 VF ..	550	*450	28	500	5,0	210	8 x 18	M30 x 2,0	*110	210	116,0	28	15	180	M24
SK 9086.1 VF .. SK 9086.1/52 VF ..	660	*550	32	600	6,0	262	8 x 22	M30 x 2,0	*120	210	127,0	32	15	180	M24
SK 9092.1 VF .. SK 9092.1/52 VF ..	660	*550	32	600	6,0	262	8 x 22	M30 x 2,0	*140	250	148,0	36	25	200	M24
SK 9096.1 VF .. SK 9096.1/62 VF ..	660	*550	35	600	8,0	302	8 x 26	M30 x 2,0	*190	320	200,0	45	10	300	M30 x 60



AFSHVL2 AFSHVL3

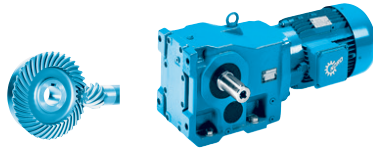


SK ... AFSHVL → A38



Helical-bevel gear units

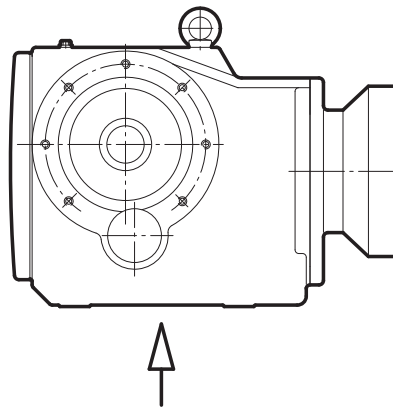
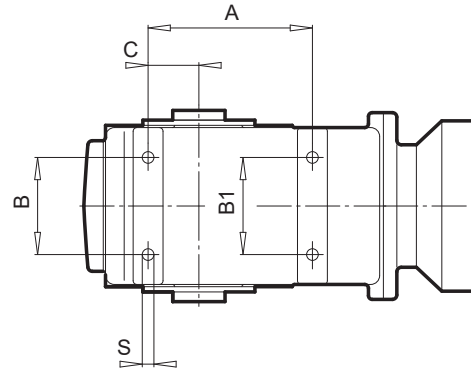
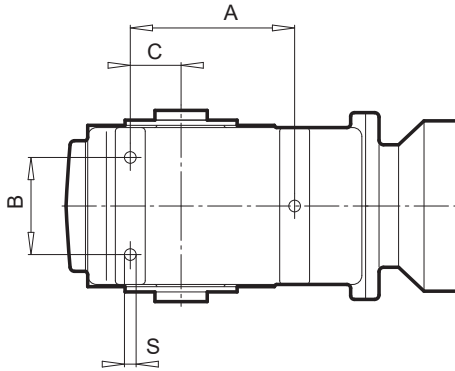
⇒ A61		a	b	c	e	f	h3	s	g	dH / d	mHB	mH	IB	IH
SK 9012.1	AFSH ..	200	130	12	165	3,5	75	4 x 11	M12 x 1,5	35	278	263	41	40
SK 9013.1	AFSH ..													
SK 9016.1	AFSH ..	200	130	12	165	3,5	75	4 x 11	M12 x 1,5	35	289	263	41	40
SK 9017.1	AFSH ..													
SK 9022.1	AFSH ..	250	180	16	215	4,0	86	4 x 13,5	M12 x 1,5	40	319	308	41,5	44
SK 9023.1	AFSH ..													
SK 9032.1	AFSH ..	300	230	20	265	4,0	85	4 x 14	M12 x 1,5	50	355	337	51,5	46
SK 9033.1	AFSH ..													
SK 9042.1	AFSH ..	350	*250	20	300	5,0	134,5	4 x 18	M12 x 1,5	60	446	427,5	61,5	58
SK 9043.1	AFSH ..													
SK 9052.1	AFSH ..	400	*300	22	350	5,0	166	4 x 18	M24 x 1,5	70	558	537	71	74
SK 9053.1	AFSH ..													
SK 9072.1	AFSH ..	450	*350	24	400	5,0	184	8 x 18	M24 x 1,5	80	629	609	81	82
SK 9072.1/32	AFSH ..													
SK 9072.1/42	AFSH ..													
SK 9082.1	AFSH ..	550	*450	28	500	5,0	210	8 x 18	M30 x 2,0	110	734	695	81	74
SK 9082.1/42	AFSH ..													
SK 9082.1/52	AFSH ..													
SK 9086.1	AFSH ..	660	*550	32	600	6,0	262	8 x 22	M30 x 2,0	125	892	851	81	98
SK 9086.1/52	AFSH ..													
SK 9092.1	AFSH ..	660	*550	32	600	6,0	262	8 x 22	M30 x 2,0	150	998	955	101	98
SK 9092.1/52	AFSH ..													
SK 9096.1	AFSH ..	660	*550	35	600	8,0	302	8 x 26	M30 x 2,0	160 / 155	1134	1089	95	140
SK 9096.1/62	AFSH ..													



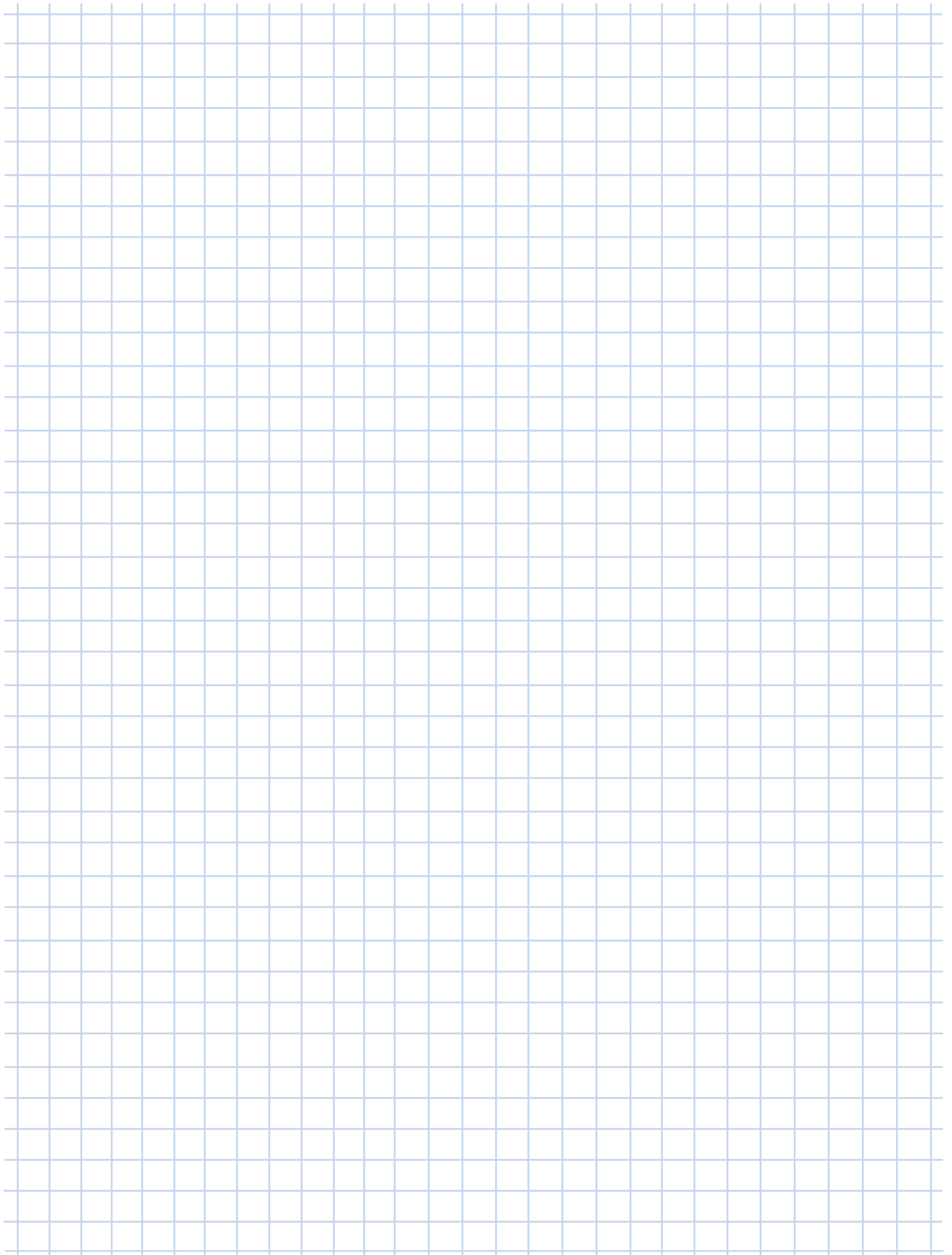
SK ... AZ .. → A38

SK 9012.1 AZ .. - SK 9052.1 AZ ..

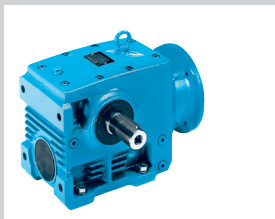
SK 9072.1 AZ .. - SK 9096.1 AZ ..



→ A61	A	B	B1	C	S
SK 9012.1 AZ .. SK 9013.1 AZ ..	152	60	-	46	M10 x 16
SK 9016.1 AZ .. SK 9017.1 AZ ..	152	60	-	46	M10 x 16
SK 9022.1 AZ .. SK 9023.1 AZ ..	152	100	-	42	M12 x 20
SK 9032.1 AZ .. SK 9033.1 AZ ..	190	110	-	55	M12 x 20
SK 9042.1 AZ .. SK 9043.1 AZ ..	220	130	-	68	M16 x 25
SK 9052.1 AZ .. SK 9053.1 AZ ..	277	185	-	92	M16 x 25
SK 9072.1 AZ .. SK 9072.1/32 AZ .. SK 9072.1/42 AZ ..	290	190	190	100	M24 x 36
SK 9082.1 AZ .. SK 9082.1/42 AZ .. SK 9082.1/52 AZ ..	430	260	260	140	M24 x 36
SK 9086.1 AZ .. SK 9086.1/52 AZ ..	430	320	320	160	M36 x 55
SK 9092.1 AZ .. SK 9092.1/52 AZ ..	520	400	400	180	M36 x 55
SK 9096.1 AZ .. SK 9096.1/62 AZ ..	580	440	440	220	M42 x 72



Helical-Worm Gear Units



ENQUIRY FORM F - 2

AVAILABLE VERSIONS F - 3

GEAR UNIT/MOTOR DATA

Power and speed tables F - 4

Power and speed tables,
W- and IEC, AI adapters F - 22

DIMENSIONED DRAWINGS

Contrate worm gear motors F - 32

Contrate worm gear units, W adapters F - 52

OPTIONS

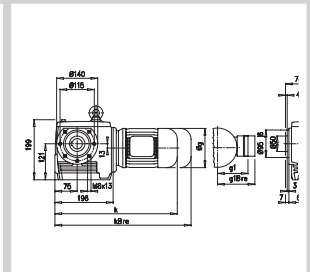
AZ Hollow shaft version - pin holes F - 55

AZH Cover as a touch guard F - 56

Beispiele - Lieferbare Ausführungen mit Hohlwelle

Modell	Optionen
3K 12080 AZ - 90 SH/4	hohlwelle, Flansch B14 bei A
3K 12080 AF - 90 SH/4	hohlwelle, Flansch B5 bei A
3K 12080 AZD - 90 SH/4	


P_1 [kW]	n_2 [min ⁻¹]	M_2 [Nm]	f_B	i_{ge}
0,55	32	98	0,8	4
	34	111	0,8	4
	39	98	0,8	3
	44	86	0,9	3
	50	77	1,0	2
	65	60	1,2	2
	73	59	1,4	1
	83	51	1,5	1
	94	46	1,6	1
	107	40	1,8	1
	139	31	2,2	1
	161	27	2,4	1
	189	24	2,4	1
	214	21	2,5	1
	279	17	2,9	1
	323	14	3,2	1



Enquiry form



This general enquiry form can be found in the attachment as well as on the **NORD** homepage under www.nord.com - Heading DOCUMENTATION / FORMS.



General enquiry form

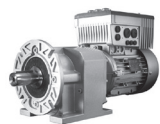



Company	<input type="text"/>		
Street	<input type="text"/>		
Town	<input type="text"/>	Post-code	<input type="text"/>
Contact	<input type="text"/>		
Tel.:	<input type="text"/>	Customer No.	<input type="text"/>
Fax:	<input type="text"/>	Application	<input type="text"/>
Email	<input type="text"/>	Project	<input type="text"/>

NORD DRIVESYSTEMS
 Rudolf-Diesel-Straße 1
 D-22941 Bargteheide
 Tel.: +49(0) 4532/401-0
 Fax: +49(0)4532/401-254
 E-Mail info@nord.com
www.nord.com

Components required


Gear unit motor
 IEC – Gear unit motor
 Gear unit with free shaft end
 Stand-alone motor

Quantity Type

Parameters specific to the gear unit		Parameters specific to gear unit	
Version <input type="text"/>	Gear ratio <input type="text"/>	Bearings <input type="radio"/> Normal <input type="radio"/> VL <input type="radio"/> VL2 <input type="radio"/> VL3 <input type="radio"/> AL	
Flange <input type="radio"/> B14 <input type="radio"/> B5 ϕ <input type="text"/> [mm]		For bevel gear or worm gear units Shaft at <input type="radio"/> A <input type="radio"/> B	
<input type="radio"/> Hollow shaft <input type="radio"/> Solid shaft ϕ <input type="text"/> x <input type="text"/> [mm]		Oil type <input type="radio"/> Mineral <input type="radio"/> Synthetic <input type="radio"/> Foodstuff-compatible oil	
Output speed at mains frequency n_2 <input type="text"/> [min ⁻¹]		<input type="radio"/> Special oil type <input type="text"/>	
Output torque M_2 <input type="text"/> [Nm]		Parameters specific to motor	
Min. operating factor f_b <input type="text"/>		Effective motor power <input type="text"/> [kW]	
Min. bearing life L_h <input type="text"/> [h]		Motor speed n_1 <input type="text"/> [min ⁻¹]	
Radial forces on output shaft F_{R2} <input type="text"/> [N]		Temperature sensor (PTC) <input type="radio"/> Bi-metal temperature monitor <input type="radio"/>	
Axial forces on output shaft F_{A2} <input type="text"/> [N]		Mains voltage <input type="text"/> [V] +/- <input type="text"/> [%]	
Dist. from shaft collar to point of action of force <input type="text"/> [mm]		Mains frequency <input type="text"/> [Hz]	

Page 1 of 2



Outline conditions

Ambient temperatures from [°C]

Buffer mounting for travelling drives [Nm]

Relative humidity [%]

Exposure to direct sunlight

Aggressive media (e.g.: salty air)

Increased installation altitude [m]

Precipitation

ATEX (explosive mixtures in the vicinity) Zone

Painting

Not painted

Paint 1.0 - Primer

Paint 2.0 - standard

Paint 3.0 - normal environmental contamination

Paint 3.1 - moderate environmental contamination

Paint 3.2 - severe environmental contamination

Other painting (e.g.: Z, 3.4 or 3.5)

Special colour (Standard RAL7031) RAL

Regulations DIN EN, etc., please state

General conditions

Quote by

Purchasing conditions known not known

Purchasing conditions attached

Delivery time after receipt of order

Delivery carriage paid

Comments

Page 2 of 2

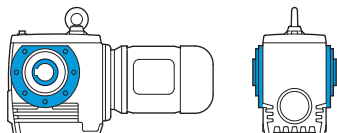
Helical-worm gear units

Beispiele - lieferbare Ausführungen

mit Hohlwelle

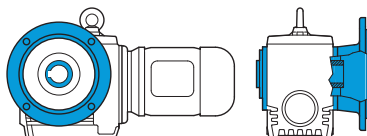
SK 12080 AZ - 90 SP/4

Hollow shaft,
B14 flange at A



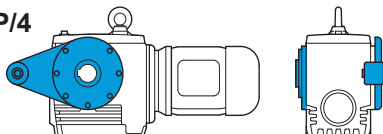
SK 12080 AF - 90 SP/4

Hollow shaft,
B5 flange at A



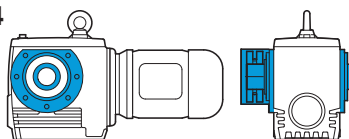
SK 12080 AZD - 90 SP/4

Hollow shaft,
B14 flange at A torque
support at A



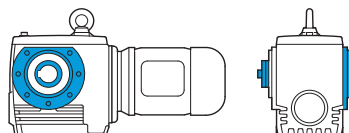
SK 12080 AZSH - 90 SP/4

Hollow shaft,
B14 flange at A shrink disk
at B



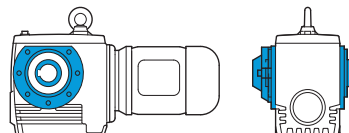
SK 12080 AZB - 90 SP/4

Hollow shaft,
B14 flange at A fastening
element at B



SK 12080 AZH - 90 SP/4

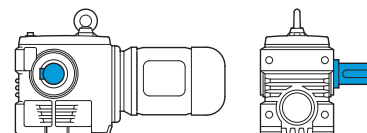
Hollow shaft,
B14 flange at A cover at B



mit Vollwelle

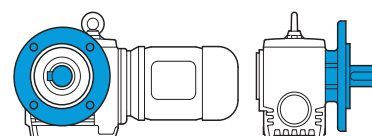
SK 12080 - 90 SP/4

Solid shaft at A
Foot-mounted housing



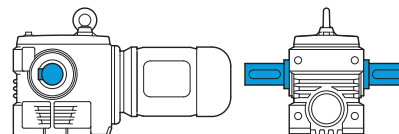
SK 12080 VF - 90 SP/4

Solid shaft at A,
B5 flange at A

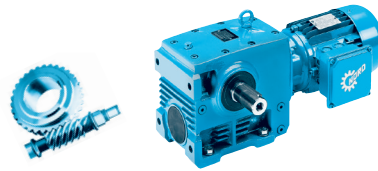


SK 12080 LX - 90 SP/4

Solid shaft at A and B,
Foot-mounted housing

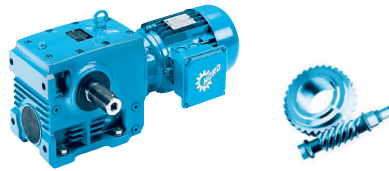



0,12 kW



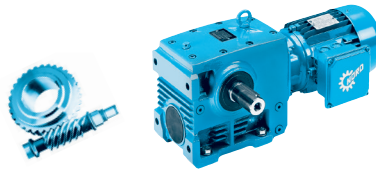
P ₁ [kW]	n ₂ [min ⁻¹]	M ₂ [Nm]	f _B	i _{ges}	F _R [kN]	F _A [kN]	F _{R VL} [kN]	F _{A VL} [kN]	Type	kg	mm
0,12	0,3	1818	0,9	4646,10	-	12,0	8,9	16,0	SK 33100 - 63 S/4	68	F46-47
	0,4	1469	1,1	3735,10	2,6	12,0	12,7	16,0			
	0,6	880	1,8	2200,07	1,7	12,0	15,9	16,0			
	0,8	676	2,4	1671,69	11,8	12,0	16,2	16,0			
	0,9	613	2,6	1507,71	11,9	12,0	16,2	16,0			
	1,1	484	3,3	1175,19	16,2	12,0	16,2	16,0			
	0,6	808	1,0	2058,82	-	12,0	7,9	12,0	SK 13080 - 63 S/4	39	F42-43
	1,1	481	1,6	1198,81	6,6	9,0	9,0	12,0			
	1,4	388	2,0	956,44	7,3	9,0	9,1	12,0			
	1,7	331	2,3	805,28	7,4	9,0	9,2	12,0			
	1,9	293	2,6	706,25	7,6	9,0	9,3	12,0			
	2,1	264	2,9	630,68	7,6	9,0	9,3	12,0			
	2,5	230	3,3	542,07	7,7	9,0	9,4	12,0			
	2,8	207	3,7	482,13	7,8	9,0	9,4	12,0			
	3,3	231	3,3	403,20	7,7	9,0	9,4	12,0			
	3,9	196	3,6	339,48	7,8	9,0	9,4	12,0			
	4,5	173	3,5	297,73	7,8	9,0	9,4	12,0			
	5,0	156	3,7	265,87	7,9	9,0	9,4	12,0			
	5,8	135	4,2	228,52	7,9	9,0	9,4	12,0			
	6,9	129	3,5	193,73	7,9	9,0	9,4	12,0			
	8,2	109	3,5	163,11	7,9	9,0	9,5	12,0			
	9,3	96	3,5	143,05	8,0	9,0	9,5	12,0			
	10	86	3,5	127,74	8,0	9,0	9,5	12,0			
	12	75	3,5	109,80	8,2	9,0	9,5	12,0			
	14	66	3,5	97,65	8,3	9,0	9,5	12,0			
	1,4	378	1,0	938,20	4,9	7,7	6,6	1,0	SK 13063 - 63 S/4	29	F38-39
	1,8	301	1,3	737,53	5,3	7,7	6,8	1,0			
	2,2	249	1,5	604,62	5,6	7,7	6,9	1,0			
	2,5	221	1,7	531,64	5,6	7,7	7,0	1,0			
	2,8	198	1,9	471,70	5,7	7,7	7,2	1,0			
	3,4	223	1,7	395,51	5,6	7,7	7,0	1,0			
	3,8	198	1,9	349,37	5,7	7,7	7,2	1,0			
	4,3	177	2,1	310,92	5,7	7,7	7,4	1,0			
	5,2	146	2,5	254,89	5,8	7,7	7,9	1,0			
	6,0	129	2,9	224,12	5,9	7,7	7,1	1,0			
	6,7	115	3,1	198,86	5,9	7,7	7,1	1,0			
	7,5	117	2,9	178,31	5,9	7,7	7,1	1,0			
	9,1	96	3,4	146,17	6,0	7,7	7,1	1,0			
	10	85	3,5	128,53	6,7	7,7	7,2	1,0			
	12	75	3,5	114,04	6,3	7,7	7,2	1,0			
	14	65	3,6	97,03	6,6	7,7	7,2	1,0			
	17	57	3,5	79,54	6,4	7,7	7,2	1,0			
	20	47	3,6	65,20	6,8	7,7	7,2	1,0			
	2,3	243	0,8	586,37	2,2	5,6	4,6	8,0	SK 13050 - 63 S/4	25	F34-35
	2,8	199	1,0	474,31	3,4	5,6	5,2	8,0			
	3,2	175	1,1	411,76	3,5	5,6	5,2	8,0			
	4,0	191	1,0	333,43	3,4	5,6	5,2	8,0			
	4,6	168	1,2	293,19	3,4	5,6	5,2	8,0			
	6,4	121	1,6	209,25	4,3	5,6	5,3	8,0			
	7,3	106	1,8	181,66	4,4	5,6	5,4	8,0			
	8,4	105	1,9	158,12	4,3	5,6	5,4	8,0			
	9,6	93	2,1	139,04	4,5	5,6	5,4	8,0			
	11	82	2,4	122,68	4,5	5,6	5,4	8,0			
	13	67	2,9	99,23	4,6	5,6	5,4	8,0			
	15	58	3,1	86,15	4,6	5,6	5,4	8,0			
	17	55	2,6	76,61	4,6	5,6	5,4	8,0			
	20	48	2,7	67,37	4,6	5,6	5,4	8,0			
	22	43	3,0	59,44	4,6	5,6	5,5	8,0			
	28	35	3,2	48,08	4,6	5,6	5,5	8,0			
	32	30	3,6	41,74	4,7	5,6	5,5	8,0			
	2,0	274	2,6	656,88	8,6	12,0	11,4	12,0	SK 12080 - 63 S/4	34	F40-41
	4,8	162	4,4	276,92	8,4	12,0	11,7	12,0			

Helical-worm gear units



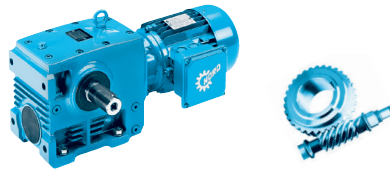
P ₁ [kW]	n ₂ [min ⁻¹]	M ₂ [Nm]	f _B	i _{ges}	F _R [kN]	F _A [kN]	F _{R VL} [kN]	F _{A VL} [kN]	Type	kg	mm 				
0,12	2,1	258	1,4	626,79	6,0	7,8	8,8	1,0	SK 12063 - 63 S/4	24	F36-37				
	2,5	220	1,6	529,38	6,2	7,8	9,0	1,0							
	2,9	195	1,8	464,61	6,4	7,8	9,7	1,0							
	5,1	151	2,3	264,24	6,6	7,8	9,3	1,0							
	6,0	129	2,8	223,17	6,6	7,8	9,3	1,0							
	6,8	114	3,2	195,86	6,7	7,8	9,3	1,0							
	7,3	85	3,8	183,60	6,3	7,7	7,2	1,0							
	8,2	76	4,1	162,18	6,5	7,7	7,2	1,0							
	9,2	69	4,3	144,33	6,7	7,7	7,2	1,0							
	0,12	2,5	219	0,8	524,79	2,7	5,6	4,9				8,0	SK 02050 - 63 S/4	20	F32-33
		3,0	185	1,0	440,13	3,3	5,6	5,2				8,0			
		3,5	164	1,1	385,56	3,6	5,6	5,3				8,0			
		5,8	133	1,4	231,41	4,7	5,6	5,3				8,0			
		6,9	113	1,6	194,18	4,3	5,6	5,4				8,0			
7,9		99	1,9	170,10	4,5	5,6	5,4	8,0							
9,0		68	2,6	147,90	4,6	5,6	5,4	8,0							
10		61	2,8	130,05	4,6	5,6	5,5	8,0							
12		54	3,1	114,75	4,6	5,6	5,5	8,0							
14		45	3,7	92,82	4,7	5,6	5,5	8,0							
17		40	4,2	80,58	4,7	5,6	5,5	8,0							
20		40	4,2	65,25	4,7	5,6	5,5	8,0							
23		35	4,8	57,38	4,7	5,6	5,5	8,0							
26		32	4,9	50,63	4,8	5,6	5,5	8,0							
0,18		0,6	1297	1,2	2200,07	5,2	12,0	14,4	16,0	SK 33100 - 63 L/4	68	F46-47			
		0,8	996	1,6	1671,69	9,2	12,0	15,8	16,0						
		0,9	904	1,8	1507,71	1,4	12,0	15,9	16,0						
	1,2	715	2,2	1175,19	11,7	12,0	16,1	16,0							
	2,1	422	3,8	660,60	12,3	12,0	16,2	16,0							
	2,6	341	4,7	519,31	12,5	12,0	16,2	16,0							
	0,18	1,1	709	1,1	1198,81	2,3	9,0	8,5	12,0				SK 13080 - 63 L/4	39	F42-43
1,4		572	1,3	956,44	5,4	9,0	8,8	12,0							
1,7		488	1,6	805,28	6,5	9,0	9,0	12,0							
1,9		432	1,8	706,25	7,1	9,0	9,7	12,0							
2,2		390	2,0	630,68	7,3	9,0	9,1	12,0							
2,5		340	2,3	542,07	7,4	9,0	9,2	12,0							
2,8		305	2,5	482,13	7,5	9,0	9,3	12,0							
3,4		341	2,3	403,20	7,4	9,0	9,3	12,0							
4,0		289	2,4	339,48	7,5	9,0	9,3	12,0							
4,6		255	2,4	297,73	7,6	9,0	9,3	12,0							
5,1		230	2,5	265,87	7,7	9,0	9,4	12,0							
5,9		199	2,9	228,52	7,8	9,0	9,4	12,0							
7,0		190	2,4	193,73	7,8	9,0	9,4	12,0							
8,3		161	2,4	163,11	7,8	9,0	9,4	12,0							
9,5		141	2,4	143,05	7,9	9,0	9,4	12,0							
11		127	2,4	127,74	8,0	9,0	9,4	12,0							
12		110	2,4	109,80	7,9	9,0	9,5	12,0							
14	98	2,4	97,65	8,0	9,0	9,5	12,0								
0,18	1,8	444	0,9	737,53	1,7	7,7	6,5	1,0	SK 13063 - 63 L/4	29	F38-39				
	2,3	367	1,0	604,62	5,0	7,7	6,7	1,0							
	2,6	326	1,2	531,64	5,2	7,7	6,8	1,0							
	2,9	292	1,3	471,70	5,3	7,7	6,8	1,0							
	3,4	329	1,2	395,51	5,1	7,7	6,7	1,0							
	3,9	292	1,3	349,37	5,3	7,7	6,8	1,0							
	4,4	261	1,5	310,92	5,4	7,7	6,9	1,0							
	5,3	215	1,7	254,89	5,7	7,7	7,0	1,0							
	6,1	191	1,9	224,12	5,7	7,7	7,2	1,0							
	6,8	170	2,1	198,86	5,8	7,7	7,6	1,0							
	7,6	172	2,0	178,31	5,7	7,7	7,4	1,0							
	9,3	141	2,3	146,17	5,8	7,7	7,9	1,0							
	11	125	2,4	128,53	5,9	7,7	7,1	1,0							
	12	111	2,3	114,04	5,9	7,7	7,1	1,0							
	14	95	2,4	97,03	6,0	7,7	7,1	1,0							
17	84	2,4	79,54	6,0	7,7	7,1	1,0								
21	69	2,5	65,20	6,4	7,7	7,2	1,0								


0,18 kW
0,25 kW



P ₁ [kW]	n ₂ [min ⁻¹]	M ₂ [Nm]	f _B	i _{ges}	F _R [kN]	F _A [kN]	F _{R VL} [kN]	F _{A VL} [kN]	Type	kg	mm
0,18	6,5	178	1,1	209,25	3,3	5,6	5,2	8,0	SK 13050 - 63 L/4	25	F34-35
	7,5	156	1,2	181,66	3,6	5,6	5,3	8,0			
	8,6	155	1,3	158,12	3,4	5,6	5,2	8,0			
	9,8	136	1,4	139,04	3,7	5,6	5,3	8,0			
	11	121	1,6	122,68	4,6	5,6	5,3	8,0			
	14	98	1,9	99,23	4,4	5,6	5,4	8,0			
	16	86	2,1	86,15	4,5	5,6	5,4	8,0			
	18	81	1,7	76,61	4,3	5,6	5,4	8,0			
	20	71	1,8	67,37	4,5	5,6	5,4	8,0			
	23	63	2,1	59,44	4,5	5,6	5,4	8,0			
28	51	2,2	48,08	4,6	5,6	5,4	8,0				
33	45	2,5	41,74	4,6	5,6	5,4	8,0				
	2,1	404	1,8	656,88	7,4	12,0	2,0	12,0	SK 12080 - 63 L/4	34	F40-41
	4,9	238	3,0	276,92	8,2	12,0	11,5	12,0			
	5,8	162	4,4	234,60	7,9	9,0	9,4	12,0			
	2,2	380	0,9	626,79	4,8	7,8	8,3	1,0	SK 12063 - 63 L/4	24	F36-37
	2,6	325	1,1	529,38	5,4	7,8	8,4	1,0			
	2,9	288	1,3	464,61	5,7	7,8	8,6	1,0			
	5,1	223	1,6	264,24	6,3	7,8	9,0	1,0			
	6,1	189	1,9	223,17	6,4	7,8	9,9	1,0			
	6,9	167	2,2	195,86	6,5	7,8	9,2	1,0			
	7,4	125	2,6	183,60	5,9	7,7	7,1	1,0			
	8,4	113	2,8	162,18	6,0	7,7	7,1	1,0			
	9,4	102	2,9	144,33	6,0	7,7	7,2	1,0			
	12	86	3,4	118,32	6,3	7,7	7,2	1,0			
	13	77	3,8	104,04	6,5	7,7	7,2	1,0			
	15	69	4,3	92,31	6,7	7,7	7,2	1,0			
	18	70	4,3	77,40	6,6	7,7	7,2	1,0			
	20	63	4,7	68,37	6,8	7,7	7,2	1,0			
22	56	5,0	60,85	6,9	7,7	7,2	1,0				
	5,9	197	0,9	231,41	2,9	5,6	5,1	8,0	SK 02050 - 63 L/4	20	F32-33
	7,0	166	1,1	194,18	3,5	5,6	5,2	8,0			
	8,0	146	1,3	170,10	3,9	5,6	5,3	8,0			
	9,2	101	1,7	147,90	4,5	5,6	5,4	8,0			
	10	90	1,9	130,05	4,5	5,6	5,5	8,0			
	12	80	2,1	114,75	4,6	5,6	5,4	8,0			
	15	67	2,5	92,82	4,6	5,6	5,4	8,0			
	17	59	2,8	80,58	4,6	5,6	5,5	8,0			
	21	59	2,9	65,25	4,6	5,6	5,5	8,0			
	24	52	3,2	57,38	4,6	5,6	5,5	8,0			
	27	46	3,3	50,63	4,7	5,6	5,5	8,0			
	33	38	4,1	40,95	4,7	5,6	5,5	8,0			
	38	34	4,6	35,55	4,7	5,6	5,5	8,0			
	44	32	4,9	30,94	4,7	5,6	5,5	8,0			
0,25	0,4	2861	1,1	3442,09	7,7	2,8	22,8	28,0	SK 43125 - 71 S/4	118	F50-51
	0,5	2125	1,5	2526,44	15,2	2,8	23,8	28,0			
	0,7	1746	1,8	2056,63	19,0	2,8	24,3	28,0			
	0,7	1589	1,9	1860,07	19,3	2,8	24,4	28,0			
	0,8	1408	2,2	1639,55	19,7	2,8	24,6	28,0			
	0,9	1277	2,4	1476,55	19,9	2,8	24,7	28,0			
	1,2	1053	2,9	1198,50	2,3	2,8	24,8	28,0			
	0,6	1776	0,9	2200,07	-	12,0	9,4	16,0	SK 33100 - 71 S/4	69	F46-47
	0,8	1365	1,2	1671,69	4,2	12,0	13,7	16,0			
	0,9	1238	1,3	1507,71	6,8	12,0	15,0	16,0			
	1,2	980	1,6	1175,19	9,5	12,0	15,8	16,0			
	2,1	579	2,7	660,60	12,4	12,0	16,2	16,0			
	2,7	468	3,4	519,31	12,2	12,0	16,2	16,0			
	2,9	427	3,7	468,37	12,3	12,0	16,2	16,0			
	3,8	345	4,4	365,07	12,5	12,0	16,2	16,0			
	5,4	313	4,8	257,63	12,5	12,0	16,2	16,0			
2,1	567	2,5	645,00	12,3	12,0	16,2	16,0	SK 32100 - 71 S/4	61	F44-45	

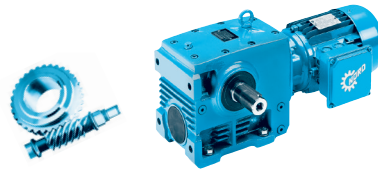
Helical-worm gear units



P ₁ [kW]	n ₂ [min ⁻¹]	M ₂ [Nm]	f _B	i _{ges}	F _R [kN]	F _A [kN]	F _{R VL} [kN]	F _{A VL} [kN]	Type	kg	mm 
0,25	1,4	784	1,0	956,44	-	9,0	8,1	12,0	SK 13080 - 71 S/4	40	F42-43
	1,7	669	1,2	805,28	4,9	9,0	8,6	12,0			
	2,0	592	1,3	706,25	5,2	9,0	8,7	12,0			
	2,2	534	1,4	630,68	6,0	9,0	8,9	12,0			
	2,5	466	1,7	542,07	6,8	9,0	9,1	12,0			
	2,9	418	1,8	482,13	7,2	9,0	10,0	12,0			
	3,4	467	1,6	403,20	6,5	9,0	9,0	12,0			
	4,1	396	1,8	339,48	7,2	9,0	9,1	12,0			
	4,6	350	1,7	297,73	7,4	9,0	9,2	12,0			
	5,2	315	1,8	265,87	7,5	9,0	9,2	12,0			
	6,0	273	2,1	228,52	7,6	9,0	9,3	12,0			
	7,1	260	1,7	193,73	7,6	9,0	9,3	12,0			
	8,5	220	1,7	163,11	7,7	9,0	9,4	12,0			
	9,6	194	1,8	143,05	7,8	9,0	9,4	12,0			
11	174	1,7	127,74	7,8	9,0	9,4	12,0				
13	150	1,7	109,80	7,9	9,0	9,4	12,0				
14	134	1,7	97,65	7,9	9,0	9,4	12,0				
	2,6	447	0,8	531,64	1,2	7,7	6,4	1,0	13063 - 71 S/4	30	F38-39
	2,9	400	1,0	471,70	4,1	7,7	6,6	1,0			
	3,5	450	0,8	395,51	-	7,7	6,4	1,0			
	3,9	400	1,0	349,37	4,1	7,7	6,6	1,0			
	4,4	357	1,1	310,92	5,0	7,7	6,7	1,0			
	5,4	295	1,3	254,89	5,3	7,7	6,8	1,0			
	6,2	261	1,4	224,12	5,4	7,7	6,9	1,0			
	6,9	232	1,5	198,86	5,5	7,7	7,0	1,0			
	7,7	235	1,4	178,31	5,5	7,7	6,9	1,0			
	9,4	193	1,7	146,17	5,7	7,7	7,6	1,0			
	11	171	1,8	128,53	5,7	7,7	7,4	1,0			
	12	152	1,7	114,04	5,8	7,7	7,7	1,0			
	14	130	1,8	97,03	5,9	7,7	7,1	1,0			
	17	115	1,7	79,54	5,8	7,7	7,9	1,0			
	21	95	1,8	65,20	5,9	7,7	7,1	1,0			
	7,6	214	0,9	181,66	2,6	5,6	4,9	8,0	SK 13050 - 71 S/4	26	F34-35
	8,7	212	0,9	158,12	2,3	5,6	4,7	8,0			
	9,9	187	1,0	139,04	2,8	5,6	5,0	8,0			
	11	166	1,2	122,68	3,2	5,6	5,2	8,0			
	14	134	1,4	99,23	3,8	5,6	5,3	8,0			
	16	117	1,5	86,15	4,7	5,6	5,3	8,0			
	18	111	1,3	76,61	3,6	5,6	5,3	8,0			
	21	97	1,3	67,37	3,9	5,6	5,3	8,0			
	23	86	1,5	59,44	4,2	5,6	5,4	8,0			
	29	70	1,6	48,08	4,5	5,6	5,4	8,0			
	33	61	1,8	41,74	4,5	5,6	5,4	8,0			
	2,1	554	1,3	656,88	6,1	12,0	1,2	12,0	SK 12080 - 71 S/4	35	F40-41
	2,7	448	1,6	520,20	7,7	12,0	1,8	12,0			
	5,0	326	2,2	276,92	7,8	12,0	11,3	12,0			
	5,9	223	3,2	234,60	7,7	9,0	9,4	12,0			
	7,4	184	3,6	187,17	7,8	9,0	9,4	12,0			
	8,8	159	4,2	157,59	7,9	9,0	9,4	12,0			
	10	142	4,5	138,21	7,9	9,0	9,4	12,0			
	11	130	4,8	123,42	7,9	9,0	9,5	12,0			
	2,6	445	0,8	529,38	3,8	7,8	7,5	1,0	SK 12063 - 71 S/4	25	F36-37
	3,0	395	0,9	464,61	4,6	7,8	7,9	1,0			
	3,3	354	1,0	413,10	5,9	7,8	8,2	1,0			
	5,2	305	1,1	264,24	5,6	7,8	8,5	1,0			
	6,2	260	1,4	223,17	6,0	7,8	8,8	1,0			
	7,0	229	1,6	195,86	6,2	7,8	8,9	1,0			
	7,5	172	1,9	183,60	5,8	7,7	7,6	1,0			
	8,5	154	2,0	162,18	5,8	7,7	7,9	1,0			
	9,6	140	2,1	144,33	5,9	7,7	7,2	1,0			
	12	118	2,5	118,32	5,9	7,7	7,1	1,0			
	13	105	2,8	104,04	6,0	7,7	7,1	1,0			
	15	95	3,1	92,31	6,9	7,7	7,2	1,0			
	18	96	3,2	77,40	6,0	7,7	7,2	1,0			
	20	86	3,4	68,37	6,2	7,7	7,2	1,0			
	23	77	3,6	60,85	6,4	7,7	7,2	1,0			
	28	64	4,1	49,88	6,8	7,7	7,2	1,0			
	31	57	4,4	43,86	6,9	7,7	7,2	1,0			
	36	51	4,8	38,92	6,2	7,7	7,2	1,0			

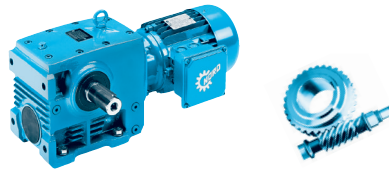
Helical-worm gear units


0,25 kW
0,37 kW



P ₁ [kW]	n ₂ [min ⁻¹]	M ₂ [Nm]	f _B	i _{ges}	F _R [kN]	F _A [kN]	F _{R VL} [kN]	F _{A VL} [kN]	Type	kg	mm
0,25	7,1	227	0,8	194,18	2,4	5,6	4,7	8,0	SK 02050 - 71 S/4	21	F32-33
	8,1	200	0,9	170,10	2,9	5,6	5,6	8,0			
	9,3	138	1,3	147,90	4,5	5,6	5,3	8,0			
	11	123	1,4	130,05	4,3	5,6	5,3	8,0			
	12	110	1,5	114,75	4,4	5,6	5,4	8,0			
	15	91	1,8	92,82	4,6	5,6	5,4	8,0			
	17	81	2,1	80,58	4,5	5,6	5,4	8,0			
	21	81	2,1	65,25	4,5	5,6	5,4	8,0			
	24	71	2,4	57,38	4,6	5,6	5,4	8,0			
	27	64	2,4	50,63	4,6	5,6	5,4	8,0			
	34	52	3,0	40,95	4,6	5,6	5,5	8,0			
	39	46	3,4	35,55	4,7	5,6	5,5	8,0			
	45	44	3,6	30,94	4,7	5,6	5,5	8,0			
	51	38	4,0	27,21	4,7	5,6	5,5	8,0			
	58	34	4,5	24,01	4,7	5,6	5,5	8,0			
	82	24	4,9	16,86	4,5	5,6	5,5	8,0			
0,37	0,5	3145	1,0	2526,44	3,7	2,8	21,2	28,0	SK 43125 - 71 L/4	119	F50-51
	0,7	2585	1,2	2056,63	1,3	2,8	23,2	28,0			
	0,7	2352	1,3	1860,07	12,8	2,8	23,6	28,0			
	0,8	2084	1,5	1639,55	15,7	2,8	23,9	28,0			
	0,9	1890	1,6	1476,55	17,6	2,8	24,1	28,0	SK 33100 - 71 L/4	70	F46-47
	1,2	1559	2,0	1198,50	19,4	2,8	24,4	28,0			
	0,9	1832	0,9	1507,71	-	12,0	8,8	16,0			
	1,2	1450	1,1	1175,19	2,9	12,0	12,9	16,0			
	2,1	856	1,9	660,60	11,9	12,0	16,0	16,0			
	2,7	692	2,3	519,31	11,7	12,0	16,1	16,0			
	2,9	633	2,5	468,37	11,9	12,0	16,2	16,0			
	3,8	510	3,0	365,07	12,2	12,0	16,2	16,0			
	4,6	430	3,5	299,28	12,3	12,0	16,2	16,0			
	5,4	464	3,3	257,63	12,2	12,0	16,2	16,0			
	7,6	337	4,2	182,66	12,5	12,0	16,2	16,0			
	9,7	268	4,9	142,38	12,6	12,0	16,2	16,0			
11	247	4,8	121,21	12,7	12,0	16,2	16,0	SK 32100 - 71 L/4	62	F44-45	
2,1	839	1,7	645,00	11,2	12,0	16,0	16,0				
5,7	360	3,9	241,50	12,5	12,0	16,2	16,0				
7,5	286	4,8	183,50	12,6	12,0	16,2	16,0	SK 13080 - 71 L/4	41	F42-43	
2,0	876	0,9	706,25	-	9,0	7,1	12,0				
2,2	791	1,0	630,68	-	9,0	8,5	12,0				
2,5	689	1,1	542,07	3,4	9,0	8,6	12,0				
2,9	618	1,2	482,13	4,9	9,0	8,7	12,0				
3,4	691	1,1	403,20	3,3	9,0	8,5	12,0				
4,1	587	1,2	339,48	4,9	9,0	8,7	12,0				
4,6	517	1,2	297,73	5,8	9,0	8,9	12,0				
5,2	466	1,2	265,87	6,6	9,0	9,0	12,0				
6,0	404	1,4	228,52	7,2	9,0	9,2	12,0				
7,1	384	1,2	193,73	7,7	9,0	9,1	12,0				
8,5	326	1,2	163,11	7,4	9,0	9,2	12,0				
9,6	287	1,2	143,05	7,5	9,0	9,3	12,0				
11	257	1,2	127,74	7,6	9,0	9,4	12,0				
13	223	1,2	109,80	7,7	9,0	9,3	12,0				
14	198	1,2	97,65	7,7	9,0	9,4	12,0	13063 - 71 L/4	30	F38-39	
5,4	436	0,8	254,89	2,3	7,7	6,5	1,0				
6,2	386	1,0	224,12	4,6	7,7	6,6	1,0				
6,9	344	1,0	198,86	5,4	7,7	6,7	1,0				
7,7	348	1,0	178,31	5,0	7,7	6,7	1,0				
9,4	286	1,2	146,17	5,3	7,7	6,8	1,0				
11	253	1,2	128,53	5,4	7,7	6,9	1,0				
12	225	1,2	114,04	5,5	7,7	6,9	1,0				
14	193	1,2	97,03	5,7	7,7	7,7	1,0				
17	170	1,2	79,54	5,6	7,7	7,0	1,0				
21	140	1,2	65,20	5,7	7,7	7,5	1,0				

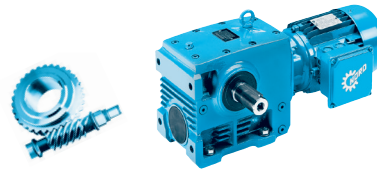
Helical-worm gear units



P ₁ [kW]	n ₂ [min ⁻¹]	M ₂ [Nm]	f _B	i _{ges}	F _R [kN]	F _A [kN]	F _{R VL} [kN]	F _{A VL} [kN]	Type	kg	mm 
0,37	14	199	1,0	99,23	2,6	5,6	4,9	8,0	SK 13050 - 71 L/4	26	F34-35
	16	174	1,0	86,15	3,5	5,6	5,2	8,0			
	18	164	0,9	76,61	2,4	5,6	4,6	8,0			
	21	144	0,9	67,37	2,9	5,6	5,0	8,0			
	23	127	1,0	59,44	3,3	5,6	5,3	8,0			
	29	103	1,1	48,08	3,9	5,6	5,3	8,0			
	33	90	1,2	41,74	4,9	5,6	5,4	8,0			
2,1	820	0,9	656,88	-	12,0	7,7	12,0	SK 12080 - 71 L/4	36	F40-41	
2,7	663	1,1	520,20	4,6	12,0	9,3	12,0				
5,0	483	1,5	276,92	6,8	12,0	1,6	12,0				
5,9	330	2,2	234,60	7,4	9,0	9,2	12,0				
7,4	272	2,5	187,17	7,6	9,0	9,3	12,0				
8,8	235	2,8	157,59	7,8	9,0	9,4	12,0				
10	211	3,1	138,21	7,8	9,0	9,4	12,0				
11	192	3,2	123,42	7,9	9,0	9,4	12,0				
13	169	3,5	106,08	7,9	9,0	9,4	12,0				
15	152	3,7	94,35	7,9	9,0	9,4	12,0				
18	150	4,4	78,91	7,9	9,0	9,4	12,0				
21	129	4,9	66,44	7,9	9,0	9,5	12,0				
6,2	384	0,9	223,17	4,8	7,8	8,0	1,0	SK 12063 - 71 L/4	26	F36-37	
7,0	339	1,1	195,86	5,3	7,8	8,3	1,0				
7,5	254	1,3	183,60	5,5	7,7	6,9	1,0				
8,5	229	1,4	162,18	5,6	7,7	7,0	1,0				
9,6	207	1,5	144,33	5,7	7,7	7,9	1,0				
12	174	1,7	118,32	5,8	7,7	7,6	1,0				
13	156	1,9	104,04	5,8	7,7	7,9	1,0				
15	141	2,1	92,31	5,9	7,7	7,2	1,0				
18	142	2,1	77,40	5,9	7,7	8,0	1,0				
20	127	2,3	68,37	6,0	7,7	7,1	1,0				
23	114	2,5	60,85	5,9	7,7	7,1	1,0				
28	95	2,8	49,88	6,0	7,7	7,2	1,0				
31	84	3,0	43,86	6,2	7,7	7,2	1,0				
36	76	3,2	38,92	6,5	7,7	7,2	1,0				
39	73	3,6	34,89	6,4	7,7	7,2	1,0				
48	60	4,1	28,61	6,7	7,7	7,2	1,0				
55	53	4,6	25,15	6,9	7,7	7,2	1,0				
9,3	204	0,9	147,90	3,0	5,6	5,1	8,0	SK 02050 - 71 L/4	22	F32-33	
11	182	0,9	130,05	3,4	5,6	5,3	8,0				
12	163	1,0	114,75	3,7	5,6	5,3	8,0				
15	135	1,2	92,82	4,1	5,6	5,3	8,0				
17	120	1,4	80,58	4,3	5,6	5,4	8,0				
21	119	1,4	65,25	4,2	5,6	5,3	8,0				
24	106	1,6	57,38	4,4	5,6	5,4	8,0				
27	94	1,6	50,63	4,5	5,6	5,4	8,0				
34	77	2,0	40,95	4,6	5,6	5,4	8,0				
39	68	2,3	35,55	4,6	5,6	5,4	8,0				
45	64	2,4	30,94	4,6	5,6	5,4	8,0				
51	57	2,7	27,21	4,6	5,6	5,4	8,0				
58	50	3,1	24,01	4,6	5,6	5,5	8,0				
71	41	3,5	19,42	4,6	5,6	5,5	8,0				
82	36	3,3	16,86	4,4	5,6	5,5	8,0				
93	32	3,6	14,72	4,2	5,6	5,5	8,0				
105	29	4,1	13,18	4,0	5,6	5,5	8,0				
119	26	4,4	11,63	3,9	5,6	5,5	8,0				

0,55 kW

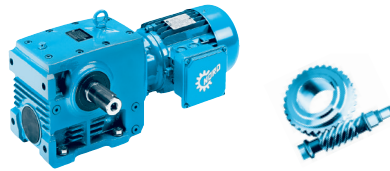
IE2




P ₁ [kW]	n ₂ [min ⁻¹]	M ₂ [Nm]	f _B	i _{ges}	F _R [kN]	F _A [kN]	F _{R VL} [kN]	F _{A VL} [kN]	Type	kg	mm 			
0,55	1,0	2731	1,1	1476,55	23,9	20,8	26,5	28,0	SK 43125 - 80 SH/4	122	F50-51			
	1,2	2261	1,4	1198,50	26,0	20,8	26,5	28,0						
	1,5	1785	1,7	928,25	26,5	20,8	26,5	28,0						
	1,8	1558	2,0	794,58	26,5	20,8	26,5	28,0						
	2,1	1735	1,6	689,67	26,5	20,8	26,5	28,0						
	2,3	1529	1,7	607,91	26,5	20,8	26,5	28,0						
	2,6	1397	2,2	547,47	26,5	20,8	26,5	28,0						
	3,2	1134	2,6	444,38	26,5	20,8	26,5	28,0						
	3,7	985	2,6	380,39	26,5	20,8	26,5	28,0						
	3,0	918	1,7	468,37	16,2	12,0	16,2	16,0				SK 33100 - 80 SH/4	73	F46-47
	3,9	743	2,0	365,07	16,2	12,0	16,2	16,0						
	4,7	620	2,4	299,28	16,2	12,0	16,2	16,0						
	2,2	1217	1,2	645,00	14,5	12,0	16,2	16,0				SK 32100 - 80 SH/4	65	F44-45
	2,8	981	1,4	510,00	15,9	12,0	16,2	16,0						
	5,9	518	2,7	241,50	16,2	12,0	16,2	16,0						
	7,7	414	3,3	183,50	16,2	12,0	16,2	16,0						
	8,6	380	3,5	165,50	16,2	12,0	16,2	16,0						
	3,5	760	0,9	#402,90	6,1	9,0	11,6	12,0	SK 12080 - 80 SH/4	39	F40-41			
	5,1	697	1,0	#276,92	7,0	9,0	12,1	12,0						
	6,1	477	1,5	234,60	9,0	9,0	13,0	12,0						
	7,6	395	1,7	187,17	9,5	9,0	13,0	12,0						
	9,0	338	2,0	157,59	9,7	9,0	13,0	12,0						
	10	307	2,1	138,21	9,9	9,0	13,0	12,0						
	12	278	2,2	123,42	10,0	9,0	13,0	12,0						
	13	243	2,4	106,08	10,1	9,0	13,0	12,0						
	15	220	2,5	94,35	10,2	9,0	13,0	12,0						
	18	219	3,0	78,91	10,2	9,0	13,0	12,0						
	21	187	3,4	66,44	10,2	9,0	13,0	12,0						
24	166	3,6	58,27	10,3	9,0	13,0	12,0							
27	148	3,9	52,03	10,2	9,0	13,0	12,0							
7,7	367	0,9	183,60	6,4	7,7	9,9	10,0	SK 12063 - 80 SH/4				29	F36-37	
8,8	330	0,9	162,18	6,7	7,7	10,1	10,0							
9,8	299	1,0	144,33	7,0	7,7	10,3	10,0							
12	254	1,2	118,32	7,3	7,7	10,5	10,0							
14	227	1,3	104,04	7,4	7,7	10,6	10,0							
15	205	1,4	92,31	7,5	7,7	10,7	10,0							
18	206	1,5	77,40	7,5	7,7	10,7	10,0							
21	185	1,6	68,37	7,6	7,7	10,7	10,0							
23	164	1,7	60,85	7,7	7,7	10,8	10,0							
28	138	1,9	49,88	7,8	7,7	10,9	10,0							
32	122	2,1	43,86	7,7	7,7	10,9	10,0							
36	109	2,2	38,92	7,5	7,7	10,9	10,0							
41	105	2,5	34,89	7,2	7,7	10,9	10,0							
50	87	2,8	28,61	6,8	7,7	11,0	10,0							
56	77	3,2	25,15	6,6	7,7	11,0	10,0							
15	196	0,9	92,82	4,8	8,0	6,1	8,0	SK 02050 - 80 SH/4	25	F32-33				
18	173	1,0	80,58	5,0	8,0	6,1	8,0							
22	174	1,0	65,25	5,0	8,0	6,1	8,0							
25	153	1,1	57,38	5,2	8,0	6,1	8,0							
28	137	1,1	50,63	5,3	8,0	6,1	8,0							
35	112	1,4	40,95	5,5	8,0	6,1	8,0							
40	99	1,6	35,55	5,3	8,0	6,1	8,0							
46	93	1,7	30,94	5,0	7,1	6,1	8,0							
52	83	1,9	27,21	4,9	6,8	6,1	8,0							
59	73	2,1	24,01	4,7	6,6	6,1	8,0							
73	60	2,4	19,42	4,5	6,2	6,1	8,0							
84	52	2,3	16,86	4,3	5,9	6,1	8,0							
96	46	2,5	14,72	4,1	5,7	6,1	8,0							
108	42	2,8	13,18	3,9	4,8	6,1	8,0							
122	37	3,0	11,63	3,7	4,7	6,1	8,0							
151	31	3,6	9,41	3,5	4,4	6,1	8,0							
174	27	4,1	8,17	3,4	4,2	6,1	8,0							
199	23	4,5	7,13	3,3	4,1	6,1	8,0							

Helical-worm gear units

only available in version .Z or .F



P ₁ [kW]	n ₂ [min ⁻¹]	M ₂ [Nm]	f _B	i _{ges}	F _R [kN]	F _A [kN]	F _{R VL} [kN]	F _{A VL} [kN]	Type	kg	mm 
0,75	1,0	3742	0,8	1476,55	-	2,8	16,0	28,0	SK 43125 - 80 LP/4	123	F50-51
	1,2	3088	1,0	1198,50	4,5	2,8	21,8	28,0			
	1,5	2446	1,3	928,25	11,9	2,8	23,4	28,0			
	1,8	2126	1,5	794,58	15,4	2,8	23,8	28,0			
	2,0	2376	1,2	689,67	11,7	2,8	23,6	28,0			
	2,3	2102	1,3	607,91	14,7	2,8	23,9	28,0			
	2,6	1903	1,6	547,47	16,8	2,8	24,9	28,0			
	3,2	1564	1,9	444,38	19,3	2,8	24,4	28,0			
	3,7	1350	1,9	380,39	19,7	2,8	24,6	28,0			
	4,4	1163	2,1	323,51	2,9	2,8	24,8	28,0			
	5,2	983	2,9	269,76	2,4	2,8	24,9	28,0			
	6,0	871	3,2	236,58	2,6	2,8	24,9	28,0			
	7,5	704	3,7	187,80	2,8	2,8	25,2	28,0			
	9,3	583	4,4	152,44	3,0	2,8	25,7	28,0			
	11	506	4,9	130,49	21,6	2,8	25,1	28,0			
	16	363	4,8	86,22	21,2	2,8	25,1	28,0			
	2,1	1698	0,9	660,60	-	12,0	1,3	16,0	SK 33100 - 80 LP/4	74	F46-47
	2,7	1373	1,2	519,31	4,2	12,0	13,7	16,0			
	3,0	1255	1,3	468,37	5,9	12,0	15,0	16,0			
	3,9	1012	1,5	365,07	9,1	12,0	15,7	16,0			
	4,7	853	1,8	299,28	11,1	12,0	16,0	16,0			
	5,5	918	1,6	257,63	9,6	12,0	15,9	16,0			
	7,7	667	2,1	182,66	11,7	12,0	16,2	16,0			
	9,9	530	2,5	142,38	12,8	12,0	16,2	16,0			
	12	490	2,4	121,21	12,1	12,0	16,2	16,0			
	13	444	2,7	109,32	12,2	12,0	16,2	16,0			
	17	351	3,1	85,21	12,4	12,0	16,2	16,0			
	20	290	3,7	69,85	12,5	12,0	16,2	16,0			
	26	234	2,9	53,70	11,3	12,0	16,2	16,0			
	2,2	1663	0,9	645,00	-	12,0	1,7	16,0	SK 32100 - 80 LP/4	66	F44-45
	2,8	1351	1,1	510,00	4,5	12,0	14,0	16,0			
	5,9	714	2,0	241,50	11,7	12,0	16,1	16,0			
	7,7	567	2,4	183,50	12,4	12,0	16,2	16,0			
	8,6	521	2,6	165,50	12,1	12,0	16,2	16,0			
	11	423	2,9	129,00	12,3	12,0	16,2	16,0			
	15	364	3,6	94,19	12,4	12,0	16,2	16,0			
	20	283	4,3	71,57	12,6	12,0	16,2	16,0			
	22	257	4,6	64,55	12,6	12,0	16,2	16,0			
	6,0	654	1,1	234,60	4,4	9,0	8,6	12,0	SK 12080 - 80 LP/4	40	F40-41
	7,6	540	1,2	187,17	5,9	9,0	8,9	12,0			
	9,0	467	1,4	157,59	6,8	9,0	9,1	12,0			
	10	418	1,5	138,21	7,2	9,0	9,2	12,0			
	11	381	1,6	123,42	7,3	9,0	9,2	12,0			
	13	335	1,8	106,08	7,4	9,0	9,2	12,0			
	15	303	1,9	94,35	7,5	9,0	9,3	12,0			
	18	298	2,2	78,91	7,5	9,0	9,3	12,0			
	21	255	2,5	66,44	7,6	9,0	9,3	12,0			
	24	226	2,7	58,27	7,7	9,0	9,4	12,0			
	27	204	2,8	52,03	7,8	9,0	9,4	12,0			
	32	178	3,1	44,72	7,8	9,0	9,4	12,0			
	37	160	3,4	37,91	7,8	9,0	9,4	12,0			
	44	136	3,9	31,92	7,9	9,0	9,4	12,0			
	51	120	4,2	27,99	7,9	9,0	9,5	12,0			
	57	108	4,5	25,00	7,9	9,0	9,5	12,0			
	12	345	0,9	118,32	5,9	7,7	6,7	1,0	SK 12063 - 80 LP/4	30	F36-37
	14	310	1,0	104,04	5,3	7,7	6,9	1,0			
	15	279	1,1	92,31	5,4	7,7	6,9	1,0			
	18	282	1,1	77,40	5,3	7,7	6,9	1,0			
	21	252	1,2	68,37	5,5	7,7	6,9	1,0			
	23	226	1,2	60,85	5,6	7,7	7,0	1,0			
	28	188	1,4	49,88	5,7	7,7	7,3	1,0			
	32	167	1,5	43,86	5,8	7,7	7,6	1,0			
	36	150	1,6	38,92	5,8	7,7	7,9	1,0			
	40	144	1,8	34,89	5,8	7,7	7,9	1,0			
	49	119	2,1	28,61	5,9	7,7	7,1	1,0			
	56	106	2,3	25,15	6,0	7,7	7,1	1,0			
	63	94	2,6	22,32	6,0	7,7	7,2	1,0			

0,75 kW
1,10 kW

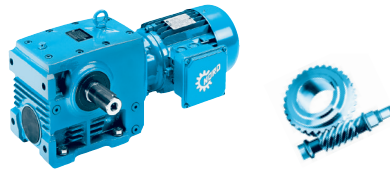
IE3




NORD
DRIVESYSTEMS

P ₁ [kW]	n ₂ [min ⁻¹]	M ₂ [Nm]	f _B	i _{ges}	F _R [kN]	F _A [kN]	F _{R VL} [kN]	F _{A VL} [kN]	Type	kg	mm 				
0,75	74	81	2,7	18,99	5,8	7,7	7,2	1,0	SK 12063 - 80 LP/4	30	F36-37				
	91	69	2,8	15,57	5,3	7,7	7,2	1,0							
	111	57	3,2	12,76	5,6	7,7	7,2	1,0							
	126	50	3,5	11,22	4,9	7,7	7,2	1,0							
	142	45	3,8	9,96	4,7	7,5	7,2	1,0							
	167	38	4,3	8,47	4,5	7,2	7,2	1,0							
	191	34	4,6	7,43	4,4	7,5	7,2	1,0							
	25	209	0,8	57,38	2,7	5,6	5,0	8,0							
	28	187	0,8	50,63	3,1	5,6	5,2	8,0							
	35	153	1,0	40,95	3,7	5,6	5,3	8,0							
	40	135	1,2	35,55	4,2	5,6	5,3	8,0							
	46	127	1,2	30,94	3,9	5,6	5,3	8,0							
	52	112	1,4	27,21	4,2	5,6	5,3	8,0							
	59	100	1,6	24,01	4,4	5,6	5,4	8,0							
	73	81	1,8	19,42	4,1	5,6	5,5	8,0							
	84	71	1,7	16,86	4,1	5,6	5,4	8,0							
	96	63	1,8	14,72	3,9	5,6	5,4	8,0							
	108	58	2,1	13,18	3,6	5,1	5,4	8,0							
	122	51	2,2	11,63	3,5	5,7	5,4	8,0							
151	42	2,6	9,41	3,3	5,0	5,5	8,0								
173	36	3,0	8,17	3,2	4,9	5,5	8,0								
198	32	3,3	7,13	3,1	4,7	5,5	8,0								
1,10	1,5	3554	0,9	928,25	-	2,8	17,8	28,0	SK 43125 - 90 SP/4	128	F50-51				
	1,8	3089	1,0	794,58	4,6	2,8	21,8	28,0							
	2,1	3449	0,8	689,67	-	2,8	17,5	28,0							
	2,4	3052	0,9	607,91	3,8	2,8	21,5	28,0							
	2,6	2763	1,1	547,47	7,3	2,8	22,9	28,0							
	3,2	2271	1,3	444,38	12,9	2,8	23,6	28,0							
	3,8	1961	1,3	380,39	16,3	2,8	24,3	28,0							
	4,4	1689	1,4	323,51	19,5	2,8	24,3	28,0							
	5,3	1428	2,0	269,76	19,6	2,8	24,6	28,0							
	6,0	1265	2,2	236,58	19,9	2,8	24,7	28,0							
	7,6	1022	2,5	187,80	2,3	2,8	24,8	28,0							
	9,4	847	3,1	152,44	2,6	2,8	25,0	28,0							
	11	735	3,4	130,49	2,8	2,8	25,7	28,0							
	13	636	3,7	110,97	2,9	2,8	25,5	28,0							
	17	528	3,3	86,22	3,0	2,8	25,9	28,0							
	20	434	3,6	69,99	21,9	2,8	25,1	28,0							
	23	391	4,0	62,50	21,1	2,8	25,1	28,0							
	2,1	2747	1,0	695,60	8,6	2,8	23,0	28,0							
	2,9	2045	1,4	495,85	16,2	2,8	23,9	28,0							
	7,1	961	2,7	201,63	2,5	2,8	24,9	28,0							
	7,8	885	2,9	182,36	2,6	2,8	24,9	28,0							
	8,9	795	3,1	160,74	2,8	2,8	25,0	28,0							
	9,9	728	3,3	144,76	2,8	2,8	25,1	28,0							
	12	611	3,7	117,50	2,9	2,8	25,7	28,0							
	14	534	4,0	100,58	21,4	2,8	25,9	28,0							
	16	512	4,6	87,30	21,5	2,8	26,0	28,0							
	1,10	3,1	1824	0,9	468,37	-	12,0	9,0				16,0	SK 33100 - 90 SP/4	79	F46-47
		3,9	1470	1,0	365,07	2,7	12,0	12,9				16,0			
		4,8	1240	1,2	299,28	6,1	12,0	16,0				16,0			
		5,6	1333	1,1	257,63	3,8	12,0	13,3				16,0			
7,8		969	1,5	182,66	9,0	12,0	15,8	16,0							
10		770	1,7	142,38	11,5	12,0	16,5	16,0							
12		711	1,7	121,21	11,6	12,0	16,2	16,0							
13		645	1,8	109,32	11,7	12,0	16,2	16,0							
17		509	2,1	85,21	12,8	12,0	16,2	16,0							
21		422	2,6	69,85	11,9	12,0	16,2	16,0							
27		340	2,0	53,70	1,5	12,0	16,2	16,0							
1,10	3,5	1624	0,8	410,00	-	12,0	11,2	16,0	SK 32100 - 90 SP/4	71	F44-45				
	4,7	1258	1,1	304,00	5,9	12,0	14,9	16,0							
	5,9	1038	1,4	241,50	8,8	12,0	15,7	16,0							
	7,8	825	1,7	183,50	11,4	12,0	16,0	16,0							
	8,6	757	1,8	165,50	11,6	12,0	16,8	16,0							

Helical-worm gear units



P ₁ [kW]	n ₂ [min ⁻¹]	M ₂ [Nm]	f _B	i _{ges}	F _R [kN]	F _A [kN]	F _{R VL} [kN]	F _{A VL} [kN]	Type	kg	mm 
1,10	11	614	2,0	129,00	11,9	12,0	16,2	16,0	SK 32100 - 90 SP/4	71	F44-45
	14	512	2,3	104,00	12,2	12,0	16,2	16,0			
	15	528	2,5	94,19	12,8	12,0	16,2	16,0			
	20	411	3,0	71,57	12,3	12,0	16,2	16,0			
	22	374	3,2	64,55	12,0	12,0	16,2	16,0			
	28	297	3,7	50,31	11,2	12,0	16,2	16,0			
	33	266	4,1	42,83	1,6	12,0	16,2	16,0			
	37	242	4,6	38,63	1,3	12,0	16,2	16,0			
	7,6	785	0,9	187,17	-	9,0	8,2	12,0			
	9,1	679	1,0	157,59	3,9	9,0	8,5	12,0			
	10	608	1,1	138,21	5,2	9,0	8,7	12,0			
	12	553	1,1	123,42	5,7	9,0	8,8	12,0			
	13	487	1,2	106,08	6,6	9,0	9,0	12,0			
	15	440	1,3	94,35	8,0	9,0	9,6	12,0			
18	433	1,5	78,91	7,0	9,0	9,7	12,0				
22	371	1,7	66,44	7,3	9,0	9,2	12,0				
25	328	1,8	58,27	7,4	9,0	9,2	12,0				
27	297	1,9	52,03	7,5	9,0	9,3	12,0				
32	258	2,1	44,72	7,6	9,0	9,3	12,0				
38	232	2,4	37,91	7,7	9,0	9,3	12,0				
45	198	2,7	31,92	7,7	9,0	9,4	12,0				
51	174	2,9	27,99	7,7	9,0	9,4	12,0				
57	157	3,1	25,00	7,5	9,0	9,4	12,0				
66	136	3,5	21,49	7,2	9,0	9,4	12,0				
75	121	3,8	19,11	7,2	9,0	9,5	12,0				
90	104	3,8	15,98	6,5	9,0	9,5	12,0				
102	92	4,0	14,01	6,3	9,0	9,5	12,0				
114	82	4,2	12,51	6,9	8,9	9,5	12,0				
133	71	4,8	10,75	5,8	8,6	9,5	12,0				
	21	366	0,8	68,37	4,9	7,7	6,7	1,0	SK 12063 - 90 SP/4	35	F36-37
	23	329	0,9	60,85	5,1	7,7	6,8	1,0			
	29	273	1,0	49,88	5,4	7,7	6,9	1,0			
	33	243	1,0	43,86	5,6	7,7	6,9	1,0			
	37	217	1,1	38,92	5,7	7,7	7,0	1,0			
	41	209	1,3	34,89	5,6	7,7	7,0	1,0			
	50	173	1,4	28,61	5,7	7,7	7,4	1,0			
	57	154	1,6	25,15	5,8	7,7	7,7	1,0			
	64	137	1,8	22,32	5,8	7,7	8,0	1,0			
	75	118	1,8	18,99	5,6	7,7	7,1	1,0			
	92	100	1,9	15,57	5,0	7,5	7,1	1,0			
	112	83	2,2	12,76	4,8	7,3	7,1	1,0			
	127	73	2,4	11,22	4,6	7,1	7,2	1,0			
	144	65	2,6	9,96	4,5	7,0	7,2	1,0			
	169	56	3,0	8,47	4,3	6,8	7,2	1,0			
	193	49	3,2	7,43	4,2	6,6	7,2	1,0			
	46	185	0,8	30,94	2,9	5,6	5,3	8,0	SK 02050 - 90 SP/4	31	F32-33
	53	163	0,9	27,21	3,3	5,6	5,2	8,0			
	60	145	1,1	24,01	3,7	5,6	5,3	8,0			
	74	118	1,2	19,42	3,7	5,6	5,3	8,0			
	85	104	1,2	16,86	3,7	5,6	5,4	8,0			
	97	91	1,2	14,72	3,6	5,6	5,4	8,0			
	109	84	1,4	13,18	3,2	4,2	5,4	8,0			
	123	74	1,5	11,63	3,2	4,2	5,4	8,0			
	152	61	1,8	9,41	3,7	4,3	5,4	8,0			
	175	53	2,1	8,17	3,0	4,2	5,4	8,0			
	200	46	2,3	7,13	2,9	4,2	5,4	7,8			
	1,50	2,6	3805	0,8	547,47	-	2,8	14,1			
3,2		3127	1,0	444,38	2,9	2,8	2,4	28,0			
3,7		2700	1,0	380,39	8,1	2,8	23,3	28,0			
4,4		2326	1,0	323,51	12,4	2,8	23,6	28,0			
5,2		1967	1,4	269,76	16,3	2,8	24,2	28,0			
6,0		1742	1,6	236,58	18,7	2,8	24,3	28,0			
7,5		1408	1,8	187,80	19,6	2,8	24,6	28,0			
9,3		1166	2,2	152,44	3,0	2,8	24,8	28,0			
11		1012	2,5	130,49	2,4	2,8	24,9	28,0			
13		875	2,7	110,97	2,6	2,8	24,9	28,0			
16		727	2,4	86,22	2,7	2,8	25,7	28,0			
20		598	2,6	69,99	2,9	2,8	25,6	28,0			
23		538	2,9	62,50	2,6	2,8	25,8	28,0			

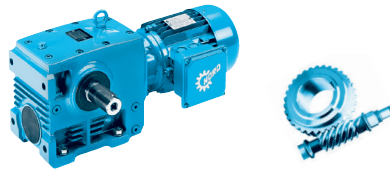
Helical-worm gear units


1,50 kW



P ₁ [kW]	n ₂ [min ⁻¹]	M ₂ [Nm]	f _B	i _{ges}	F _R [kN]	F _A [kN]	F _{R VL} [kN]	F _{A VL} [kN]	Type	kg	mm
1,50	2,9	2814	1,0	495,85	7,9	2,8	22,9	28,0	SK 42125 - 90 LP/4	113	F48-49
	7,0	1322	2,0	201,63	19,9	2,8	24,6	28,0			
	7,8	1217	2,1	182,36	2,5	2,8	24,7	28,0			
	8,8	1093	2,3	160,74	2,3	2,8	24,8	28,0			
	9,8	1002	2,4	144,76	2,5	2,8	24,9	28,0			
	12	840	2,7	117,50	2,6	2,8	25,0	28,0			
	14	735	2,9	100,58	2,8	2,8	25,1	28,0			
	16	705	3,3	87,30	2,8	2,8	25,2	28,0			
	18	627	3,7	76,95	3,0	2,8	25,6	28,0			
	20	570	3,9	69,30	3,0	2,8	25,8	28,0			
	25	471	4,4	56,25	2,3	2,8	25,1	28,0			
	29	408	4,8	48,15	19,5	2,8	25,1	28,0			
	4,7	1706	0,9	299,28	-	12,0	1,4	16,0			
5,5	1836	0,8	257,63	-	12,0	7,7	16,0				
7,7	1335	1,1	182,66	3,8	12,0	13,3	16,0				
9,9	1060	1,2	142,38	7,8	12,0	15,6	16,0				
12	979	1,2	121,21	8,8	12,0	15,8	16,0				
13	888	1,3	109,32	9,4	12,0	15,9	16,0				
17	701	1,5	85,21	11,4	12,0	16,1	16,0				
20	581	1,9	69,85	12,0	12,0	16,2	16,0				
26	469	1,5	53,70	9,7	11,8	16,2	16,0				
4,7	1731	0,8	304,00	-	12,0	1,8	16,0	SK 32100 - 90 LP/4	73	F44-45	
5,9	1428	1,0	241,50	3,4	12,0	13,3	16,0				
7,7	1134	1,2	183,50	7,6	12,0	15,5	16,0				
8,6	1041	1,3	165,50	8,8	12,0	15,7	16,0				
11	845	1,5	129,00	11,3	12,0	16,0	16,0				
14	705	1,7	104,00	11,8	12,0	16,1	16,0				
15	727	1,8	94,19	11,6	12,0	16,1	16,0				
20	565	2,2	71,57	11,5	12,0	16,2	16,0				
22	515	2,3	64,55	11,3	12,0	16,2	16,0				
28	409	2,7	50,31	1,7	12,0	16,2	16,0				
33	367	3,0	42,83	1,1	12,0	16,2	16,0				
37	333	3,3	38,63	9,9	12,0	16,2	16,0				
41	288	3,8	34,32	9,8	12,0	16,2	16,0				
47	263	4,0	30,11	9,3	12,0	16,2	16,0				
58	214	4,8	24,27	8,9	12,0	16,2	16,0				
69	183	4,6	20,54	8,5	12,0	16,2	16,0				
75	172	4,2	18,97	8,0	11,1	16,2	16,0				
83	156	4,6	17,11	7,8	1,9	16,2	16,0				
11	761	0,8	123,42	-	9,0	8,4	12,0	SK 12080 - 90 LP/4	47	F40-41	
13	670	0,9	106,08	4,2	9,0	8,6	12,0				
15	605	0,9	94,35	5,7	9,0	8,7	12,0				
18	596	1,1	78,91	4,8	9,0	8,7	12,0				
21	510	1,2	66,44	6,2	9,0	8,9	12,0				
24	452	1,3	58,27	6,7	9,0	9,3	12,0				
27	408	1,4	52,03	7,2	9,0	9,1	12,0				
32	356	1,5	44,72	7,3	9,0	9,2	12,0				
37	320	1,7	37,91	7,5	9,0	9,2	12,0				
44	272	1,9	31,92	7,5	9,0	9,3	12,0				
51	240	2,1	27,99	7,3	9,0	9,3	12,0				
57	216	2,3	25,00	7,1	9,0	9,4	12,0				
66	187	2,5	21,49	6,9	9,0	9,4	12,0				
74	167	2,7	19,11	6,7	9,0	9,4	12,0				
89	144	2,7	15,98	6,1	8,6	9,4	12,0				
101	126	2,9	14,01	6,0	8,4	9,4	12,0				
113	114	3,0	12,51	5,8	8,3	9,4	12,0				
131	98	3,5	10,75	5,6	9,0	9,5	12,0				
148	87	3,9	9,56	5,5	7,9	9,5	12,0				
187	70	4,2	7,55	5,2	7,6	9,5	12,0				
36	299	0,8	38,92	5,3	7,7	6,8	1,0	SK 12063 - 90 LP/4	37	F36-37	
40	288	0,9	34,89	5,3	7,7	6,8	1,0				
49	238	1,0	28,61	5,5	7,7	6,9	1,0				
56	211	1,2	25,15	5,4	7,7	7,0	1,0				
63	188	1,3	22,32	5,3	7,7	7,2	1,0				
74	162	1,3	18,99	5,2	7,7	7,6	1,0				
91	138	1,4	15,57	4,6	6,5	7,6	1,0				

Helical-worm gear units



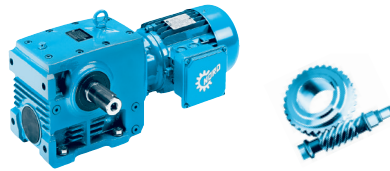
P ₁ [kW]	n ₂ [min ⁻¹]	M ₂ [Nm]	f _B	i _{ges}	F _R [kN]	F _A [kN]	F _{R VL} [kN]	F _{A VL} [kN]	Type	kg	mm 					
1,50	111	114	1,6	12,76	4,5	6,5	8,0	1,0	SK 12063 - 90 LP/4	37	F36-37					
	126	101	1,7	11,22	4,4	6,5	7,1	1,0								
	142	89	1,9	9,96	4,3	6,5	7,1	1,0								
	167	77	2,2	8,47	4,1	6,3	7,2	1,0								
	191	67	2,3	7,43	4,3	6,2	7,2	1,0								
	73	163	0,9	19,42	3,3	4,8	5,2	8,0	SK 02050 - 90 LP/4	33	F32-33					
		84	143	0,8	16,86	3,3	4,9	5,3				8,0				
		96	125	0,9	14,72	3,3	4,9	5,3				8,0				
		108	116	1,0	13,18	2,8	3,7	5,3				7,4				
		122	103	1,1	11,63	2,8	3,3	5,3				7,4				
		151	83	1,3	9,41	2,8	3,5	5,4				7,4				
		173	73	1,5	8,17	2,7	3,6	5,4				7,4				
		198	64	1,6	7,13	2,7	3,6	5,4				7,3				
		2,20	5,4	2794	1,0	269,76	7,8	2,8				22,9	28,0	SK 43125 - 100 LP/4	141	F50-51
			6,2	2475	1,1	236,58	1,8	2,8				23,4	28,0			
7,8	2000		1,3	187,80	16,0	2,8	24,0	28,0								
9,6	1657		1,6	152,44	19,1	2,8	24,3	28,0								
11	1438		1,7	130,49	19,6	2,8	24,5	28,0								
13	1244		1,9	110,97	20,0	2,8	24,7	28,0								
17	1031		1,7	86,22	2,2	2,8	24,8	28,0								
21	848		1,8	69,99	19,8	2,8	24,9	28,0								
23	764		2,1	62,50	19,3	2,8	25,0	28,0								
4,3	2892		1,0	337,46	7,8	2,8	22,7	28,0	SK 42125 - 100 LP/4	124	F48-49					
	7,3		1884	1,4	201,63	18,0	2,8	24,1				28,0				
	8,0		1734	1,5	182,36	19,2	2,8	24,3				28,0				
	9,1		1558	1,6	160,74	19,4	2,8	24,5				28,0				
	10		1427	1,7	144,76	19,7	2,8	24,6				28,0				
	12		1196	1,9	117,50	2,9	2,8	24,7				28,0				
	15	1046	2,0	100,58	2,3	2,8	24,8	28,0								
	17	1002	2,4	87,30	2,4	2,8	24,9	28,0								
	19	891	2,6	76,95	2,5	2,8	24,9	28,0								
	21	810	2,7	69,30	2,3	2,8	25,0	28,0								
	26	670	3,1	56,25	19,3	2,8	25,4	28,0								
	30	579	3,4	48,15	18,6	2,8	25,7	28,0								
	36	499	3,7	40,95	17,8	2,8	25,1	28,0								
	41	445	3,6	35,33	16,8	2,8	25,1	28,0								
	46	403	4,6	31,82	16,4	2,8	25,1	28,0								
8,0	1616	0,8	183,50	-	12,0	11,4	16,0	SK 32100 - 100 LP/4	84	F44-45						
	8,9	1483	0,9	165,50	2,7	12,0	12,8				16,0					
	11	1204	1,0	129,00	6,7	12,0	15,4				16,0					
	14	1004	1,2	104,00	9,4	12,0	15,7				16,0					
	16	1033	1,3	94,19	8,2	12,0	15,7				16,0					
	20	803	1,5	71,57	1,2	12,0	16,1				16,0					
	23	731	1,6	64,55	1,9	12,0	17,0				16,0					
	29	582	1,9	50,31	9,7	12,0	16,2				16,0					
	34	521	2,1	42,83	9,2	12,0	16,2				16,0					
	38	473	2,3	38,63	9,2	12,0	16,2				16,0					
	43	408	2,7	34,32	9,9	12,0	16,2				16,0					
	49	373	2,8	30,11	8,6	12,0	16,2				16,0					
	60	304	3,4	24,27	8,3	12,0	16,2				16,0					
	71	260	3,2	20,54	8,0	11,8	16,2				16,0					
	77	244	3,0	18,97	7,4	9,8	16,2				16,0					
86	221	3,2	17,11	7,2	9,8	16,2	16,0									
90	207	3,6	16,22	7,6	11,3	16,2	16,0									
110	174	4,1	13,34	6,9	9,4	16,2	16,0									
22	725	0,9	66,44	-	9,0	8,4	12,0	SK 12080 - 100 LP/4	58	F40-41						
	25	642	0,9	58,27	4,2	9,0	8,6				12,0					
	28	580	1,0	52,03	5,9	9,0	8,8				12,0					
	33	505	1,1	44,72	6,9	9,0	8,9				12,0					
	39	454	1,2	37,91	6,2	9,0	9,0				12,0					
	46	386	1,4	31,92	6,6	9,0	9,1				12,0					
	52	341	1,5	27,99	6,5	9,0	9,2				12,0					
	59	307	1,6	25,00	6,4	9,0	9,2				12,0					
	68	266	1,8	21,49	6,4	9,0	9,3				12,0					
	77	237	1,9	19,11	6,2	9,0	9,3				12,0					
	92	204	1,9	15,98	5,5	7,2	9,3				12,0					


2,20 kW
3,00 kW



P ₁ [kW]	n ₂ [min ⁻¹]	M ₂ [Nm]	f _B	i _{ges}	F _R [kN]	F _A [kN]	F _{R VL} [kN]	F _{A VL} [kN]	Type	kg	mm
2,20	105	179	2,0	14,01	5,4	7,2	9,4	12,0	SK 12080 - 100 LP/4	58	F40-41
	117	161	2,1	12,51	5,4	7,2	9,4	12,0			
	136	139	2,4	10,75	5,2	7,1	9,4	12,0			
	154	124	2,7	9,56	5,9	7,7	9,4	11,9			
	194	99	3,0	7,55	4,9	6,9	9,5	11,5			
	58	300	0,8	25,15	4,7	7,2	6,8	1,0	SK 12063 - 100 LP/4	48	F36-37
	66	267	0,9	22,32	4,6	7,3	6,9	1,0			
	77	230	0,9	18,99	4,6	7,3	6,9	1,0			
	94	196	1,0	15,57	4,0	5,0	7,0	9,7			
	115	161	1,1	12,76	3,9	5,2	7,2	9,7			
	130	143	1,2	11,22	4,0	5,3	7,5	9,7			
	147	127	1,3	9,96	3,9	5,4	7,8	9,7			
	173	109	1,5	8,47	3,8	5,4	7,2	9,5			
	198	95	1,6	7,43	3,7	5,4	7,1	9,4			
	156	118	0,9	9,41	1,8	2,2	5,3	6,2	SK 02050 - 100 LP/4	44	F32-33
179	103	1,1	8,17	2,8	2,4	5,3	6,3				
205	91	1,2	7,13	2,2	2,5	5,4	6,3				
3,00	6,2	3385	0,8	236,58	-	2,8	18,2	28,0	SK 43125 - 100 AP/4	141	F50-52
	7,8	2736	0,9	187,80	7,9	2,8	23,0	28,0			
	9,6	2266	1,1	152,44	13,2	2,8	23,7	28,0			
	11	1967	1,3	130,49	16,5	2,8	24,2	28,0			
	13	1701	1,4	110,97	19,3	2,8	24,4	28,0			
	17	1411	1,2	86,22	19,1	2,8	24,5	28,0			
	21	1161	1,3	69,99	18,5	2,8	24,7	28,0			
	23	1045	1,5	62,50	18,1	2,8	24,8	28,0			
	7,2	2576	1,0	201,63	1,8	2,8	23,2	28,0			
	8,0	2371	1,1	182,36	13,0	2,8	23,5	28,0			
	9,1	2130	1,2	160,74	15,5	2,8	23,8	28,0			
	10	1951	1,2	144,76	17,4	2,8	24,5	28,0			
	12	1636	1,4	117,50	19,2	2,8	24,4	28,0			
	15	1430	1,5	100,58	19,7	2,8	24,6	28,0			
	17	1370	1,7	87,30	19,7	2,8	24,6	28,0			
	19	1219	1,9	76,95	19,6	2,8	24,7	28,0			
	21	1108	2,0	69,30	19,2	2,8	24,8	28,0			
	26	916	2,2	56,25	18,4	2,8	24,9	28,0			
30	793	2,5	48,15	17,7	2,8	25,0	28,0				
36	683	2,7	40,95	17,9	2,8	25,3	28,0				
41	609	2,6	35,33	16,1	2,8	25,5	28,0				
46	551	3,3	31,82	15,7	2,8	25,8	28,0				
57	452	3,8	25,83	15,0	2,8	25,1	28,0				
66	389	4,1	22,11	14,4	2,8	25,1	28,0				
78	334	4,5	18,80	13,8	2,8	25,2	28,0				
92	286	4,3	15,92	12,9	17,7	25,2	28,0				
14	1373	0,9	104,00	4,4	12,0	13,9	16,0	SK 32100 - 100 AP/4	84	F44-45	
15	1414	0,9	94,19	2,7	12,0	12,7	16,0				
20	1099	1,1	71,57	7,4	12,0	15,6	16,0				
23	1000	1,2	64,55	8,7	12,0	15,7	16,0				
29	796	1,4	50,31	8,7	12,0	16,2	16,0				
34	712	1,5	42,83	8,2	11,4	16,1	16,0				
38	647	1,7	38,63	8,2	11,5	16,2	16,0				
43	559	2,0	34,32	8,4	12,0	16,2	16,0				
49	511	2,1	30,11	7,9	11,4	16,2	16,0				
60	416	2,5	24,27	7,7	11,2	16,2	16,0				
71	355	2,4	20,54	7,5	1,9	16,2	16,0				
77	334	2,2	18,97	6,8	8,3	16,2	16,0				
85	302	2,3	17,11	6,7	8,4	16,2	16,0				
90	284	2,6	16,22	7,2	1,5	16,2	16,0				
110	238	3,0	13,34	6,4	8,4	16,2	16,0				
136	193	3,8	10,75	6,2	8,4	15,4	16,0				
161	164	4,4	9,10	6,0	8,2	14,8	16,0				
39	621	0,9	37,91	3,8	7,5	8,6	12,0	SK 12080 - 100 AP/4	58	F40-41	
46	528	1,0	31,92	5,2	7,9	8,8	12,0				
52	466	1,1	27,99	5,7	8,4	9,0	12,0				
58	420	1,2	25,00	5,7	8,1	9,6	12,0				
68	363	1,3	21,49	5,7	8,2	9,2	12,0				

Helical-worm gear units



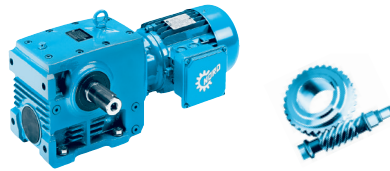
P ₁ [kW]	n ₂ [min ⁻¹]	M ₂ [Nm]	f _B	i _{ges}	F _R [kN]	F _A [kN]	F _{R VL} [kN]	F _{A VL} [kN]	Type	kg	mm 			
3,00	77	324	1,4	19,11	5,6	8,2	9,2	12,0	SK 12080 - 100 AP/4	58	F40-41			
	91	279	1,4	15,98	5,0	5,6	9,2	11,3						
	104	245	1,5	14,01	4,9	5,9	9,3	11,4						
	117	220	1,6	12,51	4,9	6,0	9,3	11,3						
	136	190	1,8	10,75	4,8	6,2	9,4	11,2						
	153	169	2,0	9,56	4,7	6,2	9,4	11,7						
	193	135	2,2	7,55	4,5	6,2	9,4	1,8						
4,00	9,5	3059	0,8	152,44	4,4	2,8	21,3	28,0	SK 43125 - 112 MP/4	148	F50-51			
	11	2655	0,9	130,49	8,9	2,8	23,2	28,0						
	13	2297	1,0	110,97	12,9	2,8	23,6	28,0						
	17	1906	0,9	86,22	16,0	2,8	24,7	28,0						
	21	1568	1,0	69,99	16,7	2,8	24,4	28,0						
	23	1412	1,1	62,50	16,6	2,8	24,5	28,0						
	7,9	3198	0,8	182,36	3,6	2,8	21,2	28,0				SK 42125 - 112 MP/4	132	F48-49
	9,0	2873	0,9	160,74	7,5	2,8	22,8	28,0						
	10	2632	0,9	144,76	1,3	2,8	23,2	28,0						
	12	2207	1,0	117,50	14,8	2,8	23,7	28,0						
	14	1930	1,1	100,58	17,7	2,8	24,8	28,0						
	16	1850	1,3	87,30	17,7	2,8	24,2	28,0						
	19	1646	1,4	76,95	18,2	2,8	24,4	28,0						
21	1496	1,5	69,30	17,8	2,8	24,5	28,0							
26	1237	1,7	56,25	17,2	2,8	24,8	28,0							
30	1070	1,8	48,15	16,8	2,8	24,8	28,0							
35	922	2,0	40,95	16,2	2,8	24,9	28,0							
41	823	1,9	35,33	15,3	2,8	25,0	28,0							
45	745	2,5	31,82	15,0	2,8	25,0	28,0							
56	611	2,8	25,83	14,3	2,5	25,5	28,0							
65	526	3,1	22,11	13,8	19,9	25,9	28,0							
77	451	3,3	18,80	13,3	19,3	25,1	28,0							
91	387	3,2	15,92	12,3	16,5	25,1	27,4							
111	316	3,9	12,93	11,7	16,0	25,1	26,3							
130	272	4,6	11,06	11,3	15,6	24,8	25,5							
153	232	4,9	9,41	1,9	14,8	23,8	24,6							
20	1484	0,8	71,57	1,7	1,7	11,9	16,0	SK 32100 - 112 MP/4	92	F44-45				
22	1350	0,9	64,55	3,7	2,0	13,3	16,0							
29	1074	1,0	50,31	7,4	11,4	15,6	16,0							
34	962	1,1	42,83	6,9	9,2	15,8	16,0							
37	873	1,3	38,63	6,9	9,5	16,0	16,0							
42	754	1,4	34,32	7,5	11,5	16,7	16,0							
48	690	1,5	30,11	7,1	9,8	16,1	16,0							
59	562	1,8	24,27	7,0	9,9	16,2	16,0							
70	480	1,8	20,54	6,9	9,8	16,2	16,0							
76	451	1,6	18,97	6,0	6,5	15,3	16,0							
84	408	1,7	17,11	6,0	6,7	15,3	16,0							
89	383	2,0	16,22	6,7	9,7	16,2	16,0							
108	321	2,2	13,34	5,9	7,1	15,9	15,9							
134	260	2,8	10,75	5,8	7,2	14,8	15,6							
158	221	3,3	9,10	5,6	7,0	14,5	15,3							
200	176	3,9	7,19	5,5	6,7	13,7	14,7							
51	630	0,8	27,99	3,7	6,1	8,7	12,0	SK 12080 - 112 MP/4	66	F40-41				
58	567	0,9	25,00	4,7	6,4	8,8	12,0							
67	491	1,0	21,49	4,9	6,7	8,9	12,0							
75	438	1,0	19,11	4,9	6,9	9,3	12,0							
90	377	1,0	15,98	3,4	3,7	9,7	9,4							
103	332	1,1	14,01	3,9	4,1	9,2	9,7							
115	298	1,2	12,51	4,2	4,5	9,3	9,8							
134	257	1,3	10,75	4,2	4,8	9,3	10,0							
151	229	1,5	9,56	4,2	5,0	9,4	10,0							
191	182	1,6	7,55	4,2	5,1	9,4	9,9							


5,50 kW
7,50 kW



P ₁ [kW]	n ₂ [min ⁻¹]	M ₂ [Nm]	f _B	i _{ges}	F _R [kN]	F _A [kN]	F _{R VL} [kN]	F _{A VL} [kN]	Type	kg	mm 				
5,50	15	2614	0,8	100,58	1,5	2,8	23,2	28,0	SK 42125 - 132 SP/4	151	F48-49				
	17	2505	0,9	87,30	1,7	2,8	23,3	28,0							
	19	2229	1,0	76,95	13,7	2,8	23,8	28,0							
	21	2026	1,1	69,30	15,6	2,8	24,0	28,0							
	26	1674	1,2	56,25	15,4	2,8	24,3	28,0							
	30	1449	1,4	48,15	15,2	2,8	24,5	28,0							
	36	1248	1,5	40,95	14,9	2,8	24,7	28,0							
	41	1113	1,4	35,33	13,9	19,2	24,8	28,0							
	46	1007	1,8	31,82	13,7	19,9	24,8	28,0							
	57	826	2,1	25,83	13,3	18,7	25,0	28,0							
	66	711	2,3	22,11	12,9	18,4	26,0	28,0							
	78	610	2,5	18,80	12,6	17,9	25,5	28,0							
	92	523	2,4	15,92	11,5	14,6	25,7	25,5							
	100	477	2,8	14,57	12,0	17,1	25,2	27,6							
	113	428	2,9	12,93	11,5	14,5	25,3	24,8							
	133	367	3,4	11,06	1,8	14,1	24,1	24,2							
	156	314	3,6	9,41	1,3	13,5	23,2	23,5							
	174	282	4,0	8,43	1,9	13,0	22,6	23,3							
	189	260	3,9	7,76	9,9	12,7	22,9	22,6							
	201	245	3,8	7,29	9,8	12,4	21,8	22,3							
	34	1302	0,8	42,83	3,5	5,9	12,9	16,0	SK 32100 - 132 SP/4	111	F44-45				
	38	1182	0,9	38,63	5,2	6,4	14,2	16,0							
	43	1021	1,1	34,32	6,8	9,5	15,8	16,0							
	49	933	1,1	30,11	5,7	7,4	15,8	16,0							
	60	760	1,3	24,27	5,8	8,0	16,6	16,0							
	71	649	1,3	20,54	5,9	8,2	16,2	16,0							
	77	610	1,2	18,97	3,3	3,8	12,7	13,5							
	86	552	1,3	17,11	3,9	4,2	13,0	13,7							
	90	519	1,4	16,22	5,9	8,4	16,2	16,0							
	110	434	1,6	13,34	4,8	5,0	13,3	14,2							
	137	352	2,1	10,75	5,8	5,3	13,3	14,5							
	161	299	2,4	9,10	5,4	5,4	13,2	13,9							
	204	238	2,9	7,19	4,9	5,5	12,9	13,7							
	7,50	21	2771	0,8	69,30	7,7	19,4	22,9				28,0	SK 42125 - 132 MP/4	158	F48-49
		26	2290	0,9	56,25	13,0	19,9	23,6				28,0			
		30	1982	1,0	48,15	13,9	2,2	24,1				28,0			
36		1707	1,1	40,95	13,9	20,0	24,3	28,0							
41		1522	1,1	35,33	12,9	16,2	24,5	28,0							
46		1378	1,3	31,82	12,9	16,2	24,6	28,0							
57		1131	1,5	25,83	12,0	16,5	24,8	28,0							
66		973	1,7	22,11	11,9	16,4	24,9	28,0							
78		834	1,8	18,80	11,6	16,2	24,9	27,4							
92		716	1,7	15,92	1,5	12,2	23,3	23,1							
100		653	2,1	14,57	11,2	15,8	25,4	26,4							
113		585	2,1	12,93	1,2	12,3	23,8	22,8							
132		503	2,5	11,06	10,0	12,6	22,7	22,5							
155		430	2,7	9,41	9,7	11,7	22,4	22,8							
173		386	3,0	8,43	9,5	11,5	22,0	21,7							
188		355	2,8	7,76	9,4	11,3	21,7	21,5							
200	335	2,8	7,29	9,3	11,1	21,5	21,3								
	49	1277	0,8	30,11	3,9	4,3	13,3	14,9	SK 32100 - 132 MP/4	118	F44-45				
	60	1040	1,0	24,27	4,4	5,4	14,7	15,5							
	71	888	0,9	20,54	4,7	6,4	14,9	15,7							
	77	835	0,9	18,97	-	-	9,3	9,9							
	85	756	0,9	17,11	0,3	0,4	9,9	1,5							
	90	710	1,1	16,22	5,0	6,6	14,9	15,8							
	110	594	1,2	13,34	2,0	2,0	1,9	11,5							
	136	482	1,5	10,75	3,7	2,9	11,4	12,9							
	161	410	1,8	9,10	3,6	3,5	11,6	12,2							
	203	326	2,1	7,19	4,3	4,0	11,6	12,3							

Helical-worm gear units



P ₁ [kW]	n ₂ [min ⁻¹]	M ₂ [Nm]	f _B	i _{ges}	F _R [kN]	F _A [kN]	F _{R VL} [kN]	F _{A VL} [kN]	Type	kg	mm 				
9,20	31	2415	0,8	48,15	11,3	17,5	23,5	28,0	SK 42125 - 160 SP/4	189	F48-49				
	36	2080	0,9	40,95	11,6	17,8	23,9	28,0							
	46	1680	1,1	31,82	1,7	13,8	24,4	26,5							
	57	1378	1,2	25,83	1,8	14,4	24,6	26,5							
	67	1186	1,4	22,11	1,8	14,7	24,7	26,3							
	78	1016	1,5	18,80	1,8	14,8	24,8	26,0							
	92	872	1,4	15,92	9,5	1,1	21,3	22,0							
	101	795	1,7	14,57	1,5	14,7	25,0	25,2							
	114	713	1,7	12,93	9,4	1,3	21,4	21,2							
	133	612	2,0	11,06	9,3	1,3	21,3	22,0							
	156	524	2,2	9,41	9,2	1,3	21,8	2,9							
	174	471	2,4	8,43	9,4	1,2	2,9	2,7							
	190	433	2,3	7,76	8,9	1,2	2,7	2,5							
	201	408	2,3	7,29	8,8	1,4	2,5	2,4							
11,0	46	2015	0,9	31,82	9,3	11,2	23,9	24,2	SK 42125 - 160 MP/4	189	F48-49				
	57	1653	1,0	25,83	9,7	12,3	24,3	24,5							
	66	1423	1,1	22,11	9,8	12,9	24,5	24,6							
	78	1219	1,2	18,80	9,9	13,2	24,7	24,5							
	92	1046	1,2	15,92	7,3	7,3	19,1	19,0							
	100	954	1,4	14,57	9,8	13,4	24,4	24,6							
	113	856	1,4	12,93	8,4	8,2	19,7	19,5							
	133	735	1,7	11,06	8,7	8,6	19,9	19,7							
	156	628	1,8	9,41	8,6	8,8	19,8	19,6							
	174	565	2,0	8,43	8,5	8,9	19,7	19,5							
	189	519	1,9	7,76	8,4	8,9	19,6	19,4							
	201	490	1,9	7,29	8,4	8,9	19,5	19,3							
	15,0	66	1940	0,8	22,11	7,5	8,6	2,9				2,7	SK 42125 - 160 LP/4	218	F48-49
		78	1663	0,9	18,80	7,9	9,3	21,4				21,1			
92		1427	0,9	15,92	1,7	1,7	14,3	14,2							
100		1301	1,0	14,57	8,3	2,0	21,7	21,5							
113		1167	1,1	12,93	3,9	3,7	15,7	15,6							
133		1002	1,2	11,06	5,1	4,8	16,5	16,3							
156		857	1,3	9,41	6,4	5,6	17,0	16,8							
174		770	1,5	8,43	6,6	6,6	17,2	17,0							
189		708	1,4	7,76	7,5	6,3	17,3	17,9							
201		668	1,4	7,29	7,3	6,5	17,3	17,1							

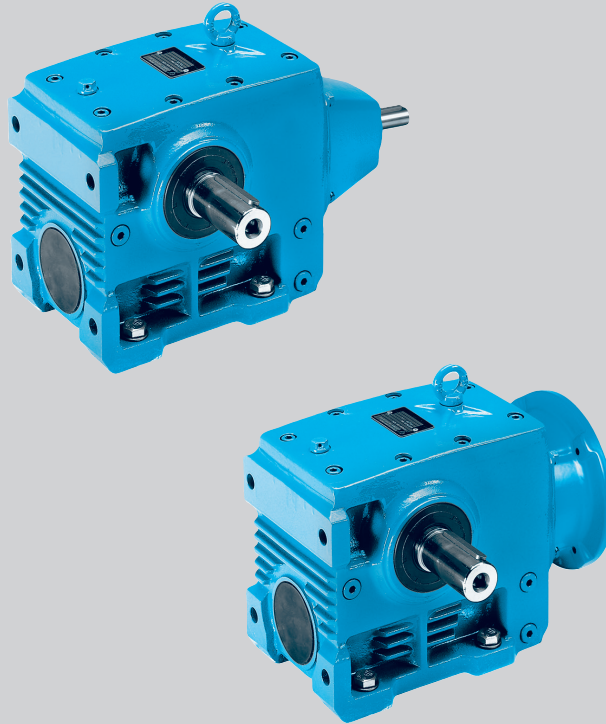
18,5 kW
22,0 kW



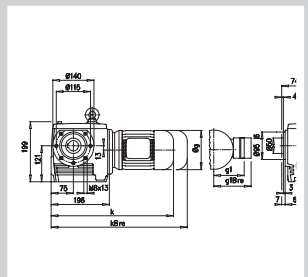
P_1 [kW]	n_2 [min ⁻¹]	M_2 [Nm]	f_B	i_{ges}	F_R [kN]	F_A [kN]	$F_{R VL}$ [kN]	$F_{A VL}$ [kN]	Type	kg	mm F48-49
18,5	101	1588	0,8	14,57	7,0	7,4	19,4	19,3	SK 42125 - 180 MP/4	251	F48-49
	115	1425	0,9	12,93	0,6	0,5	12,4	12,3			
	134	1223	1,0	11,06	1,8	1,7	13,7	13,5			
	157	1046	1,1	9,41	3,3	3,0	14,6	14,4			
	175	940	1,2	8,43	4,3	3,7	15,0	14,8			
	191	865	1,2	7,76	4,5	4,2	15,2	15,9			
203	816	1,2	7,29	4,9	4,5	15,4	15,2				
22,0	134	1460	0,8	11,06	-	-	1,7	1,6	SK 42125 - 180 LP/4	251	F48-49
	157	1248	0,9	9,41	0,3	0,4	12,1	11,9			
	175	1122	1,0	8,43	1,5	1,3	12,7	12,6			
	190	1032	1,0	7,76	2,2	2,0	13,2	13,6			
	202	974	1,0	7,29	2,6	2,4	13,5	13,3			

Helical-worm gear units

Helical-Worm Gear Units



	i_{ges}	i_1	z_2/z_1	n_2	M_{2m} f_B^{\neq}
				$n_1 =$	
				$[\text{min}^{-1}]$	$[\text{Nm}]$
SK 02040	304,20	7,80	39/1	4,6	100
	237,90	6,10	39/1	5,9	100
	128,70	7,80	33/2	11	100
W	115,05	2,95	39/1	12	94
	100,65	6,10	33/2	14	100
	99,45	2,55	39/1	14	92
+	86,97	2,23	39/1	16	87
	76,44	1,96	39/1	18	82
	67,47	1,73	39/1	21	82
IEC	67,47	1,73	39/1	21	82
	59,83	7,80	23/3	23	100



SK 13050 SK 02050



	i _{ges}	i1	z2/z1	W				W				IEC					
				n ₂	M _{2max}	P _{1max}	η	n ₂	M _{2max}	P _{1max}	η	f _B ⇒ F4 - F20					
												n ₁ = 1400 min ⁻¹				n ₁ = 930 min ⁻¹	
[min ⁻¹]	[Nm]	[kW]	[%]	[min ⁻¹]	[Nm]	[kW]	[%]										
SK 13050	3019,29	59,20	51/1	0,46	195	0,02	47	0,31	199	0,01	46	*	*				
	2249,06	44,10	51/1	0,62	195	0,03	47	0,41	201	0,02	46	*	*				
	1970,21	38,63	51/1	0,71	195	0,03	47	0,47	202	0,02	47	*	*				
	1746,09	34,24	51/1	0,80	195	0,03	47	0,53	203	0,02	47	*	*				
	1332,04	59,20	45/2	1,1	195	0,03	65	0,70	199	0,02	65	*	*				
	992,23	44,10	45/2	1,4	195	0,04	66	0,94	201	0,03	65	*	*				
	869,21	38,63	45/2	1,6	195	0,05	66	1,1	202	0,04	65	*	*				
	755,77	14,82	51/1	1,9	195	0,08	48	1,2	203	0,05	47	*	*				
	664,56	13,03	51/1	2,1	195	0,09	48	1,4	203	0,06	47	*	*				
	586,37	11,50	51/1	2,4	195	0,10	48	1,6	203	0,07	48	*	*				
	474,31	9,30	51/1	3,0	195	0,13	49	2,0	202	0,09	48	*	*				
	411,76	8,07	51/1	3,4	195	0,14	49	2,3	203	0,10	48	*	*				
	333,43	14,82	45/2	4,2	195	0,13	67	2,8	203	0,09	66	*	*				
	293,19	13,03	45/2	4,8	195	0,15	67	3,2	203	0,10	66	*	*				
	209,25	9,30	45/2	6,7	195	0,20	68	4,4	202	0,14	67		*				
	181,66	8,07	45/2	7,7	195	0,23	68	5,1	203	0,16	67		*				
	158,12	14,82	32/3	8,9	195	0,23	78	5,9	203	0,16	77		*				
	139,04	13,03	32/3	10	195	0,26	78	6,7	203	0,18	77		*				
	122,68	11,50	32/3	11	195	0,29	78	7,6	203	0,21	77		*				
	99,23	9,30	32/3	14	190	0,36	79	9,4	197	0,25	78		*				
86,15	8,07	32/3	16	180	0,37	79	11	187	0,24	78		*					
76,61	14,82	31/6	18	140	0,32	83	12	141	0,21	83		*					
67,37	13,03	31/6	21	130	0,34	84	14	136	0,24	83		*					
59,44	11,50	31/6	24	130	0,37	84	16	135	0,24	83		*					
48,08	9,30	31/6	29	110	0,37	84	19	114	0,24	83		*					
41,74	8,07	31/6	34	110	0,37	84	22	110	0,24	84		*					

	i _{ges}	i1	z2/z1	W				W				IEC					
				n ₂	M _{2max}	P _{1max}	η	n ₂	M _{2max}	P _{1max}	η	f _B ⇒ F4 - F20					
												n ₁ = 1400 min ⁻¹				n ₁ = 930 min ⁻¹	
[min ⁻¹]	[Nm]	[kW]	[%]	[min ⁻¹]	[Nm]	[kW]	[%]										
SK 02050	524,79	10,29	51/1	2,7	185	0,11	49	1,8	192	0,08	48	*	*				
	440,13	8,63	51/1	3,2	185	0,13	49	2,1	192	0,09	48	*	*				
	385,56	7,56	51/1	3,6	185	0,14	50	2,4	193	0,10	48	*	*				
	341,70	6,70	51/1	4,1	185	0,16	50	2,7	195	0,11	49		*	*			
	231,41	10,29	45/2	6,0	185	0,17	67	4,0	192	0,12	67	*	*				
	194,18	8,63	45/2	7,2	185	0,21	68	4,8	192	0,14	67		*				
	170,10	7,56	45/2	8,2	185	0,23	68	5,5	193	0,17	67		*				
	147,90	2,90	51/1	9,5	175	0,32	54	6,3	188	0,24	52		*	*	*		
	130,05	2,55	51/1	11	168	0,35	55	7,2	181	0,26	52		*	*	*		
	114,75	2,25	51/1	12	168	0,38	56	8,1	182	0,29	53			*	*		
	92,82	1,82	51/1	15	168	0,46	57	10	185	0,36	54			*	*		
	80,58	1,58	51/1	17	168	0,52	58	12	187	0,43	55			*	*		
	65,25	2,90	45/2	21	168	0,51	72	14	180	0,38	70			*	*		
	57,38	2,55	45/2	24	168	0,59	72	16	181	0,43	70			*	*		
	50,63	2,25	45/2	28	155	0,62	73	18	168	0,45	71			*	*		
	40,95	1,82	45/2	34	155	0,75	74	23	171	0,57	72			*	*		
	35,55	1,58	45/2	39	155	0,84	75	26	172	0,65	72			*	*		
	30,94	2,90	32/3	45	155	0,90	81	30	166	0,65	80			*	*		
	27,21	2,55	32/3	51	155	1,01	82	34	167	0,74	80			*	*		
	24,01	2,25	32/3	58	155	1,15	82	39	168	0,85	81			*	*		
19,42	1,82	32/3	72	145	1,32	83	48	160	0,98	82			*	*			
16,86	1,58	32/3	83	120	1,26	83	55	133	0,93	82			*	*			
14,72	1,38	32/3	95	113	1,34	84	63	127	1,02	82			*	*			
13,18	2,55	31/6	106	120	1,50	87	71	129	0,99	86			*	*			
11,63	2,25	31/6	120	113	1,50	87	80	123	0,99	86			*	*			
9,41	1,82	31/6	149	110	1,50	88	99	121	0,99	87			*	*			
8,17	1,58	31/6	171	110	1,50	88	114	122	0,99	87			*	*			
7,13	1,38	31/6	196	105	1,50	88	130	118	0,99	87			*	*			

* ⇒ A63

kg	W	IEC 63	IEC 71	IEC 80	IEC 90
SK 13050	25	26	27	-	-
SK 02050	20	21	22	25	25

Helical-worm gear units



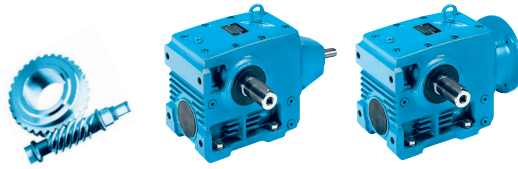
	i _{ges}	i1	z2/z1	W				W				W				IEC						
				n ₂	M _{2max}	P _{1max}	η	n ₂	M _{2max}	P _{1max}	η	n ₂	M _{2max}	P _{1max}	η	f _B ⇒ F4 - F20						
				n ₁ = 700 min ⁻¹				n ₁ = 450 min ⁻¹				n ₁ = 250 min ⁻¹				IEC IEC						
				[min ⁻¹]	[Nm]	[kW]	[%]	[min ⁻¹]	[Nm]	[kW]	[%]	[min ⁻¹]	[Nm]	[kW]	[%]	63	71					
SK 13050	3019,29	59,20	51/1	0,23	202	0,01	46	0,15	215	0,01	46	0,08	232	0	46	*	*					
	2249,06	44,10	51/1	0,31	204	0,01	46	0,20	207	0,01	46	0,11	230	0,01	46	*	*					
	1970,21	38,63	51/1	0,36	205	0,02	46	0,23	209	0,01	46	0,13	229	0,01	46	*	*					
	1746,09	34,24	51/1	0,40	207	0,02	46	0,26	211	0,01	46	0,14	227	0,01	46	*	*					
	1332,04	59,20	45/2	0,53	202	0,02	65	0,34	215	0,01	65	0,19	232	0,01	65	*	*					
	992,23	44,10	45/2	0,71	204	0,02	65	0,45	207	0,02	65	0,25	230	0,01	65	*	*					
	⇒ F52	869,21	38,63	45/2	0,81	205	0,03	65	0,52	209	0,02	65	0,29	229	0,01	65	*	*				
		755,77	14,82	51/1	0,93	208	0,04	47	0,60	219	0,03	47	0,33	227	0,02	46	*	*				
	IEC	664,56	13,03	51/1	1,1	208	0,05	47	0,68	219	0,03	47	0,38	229	0,02	46	*	*				
	mm	586,37	11,50	51/1	1,2	208	0,06	47	0,77	218	0,04	47	0,43	229	0,02	46	*	*				
	⇒ A12	474,31	9,30	51/1	1,5	209	0,07	48	0,95	216	0,05	47	0,53	231	0,03	47	*	*				
		411,76	8,07	51/1	1,7	209	0,08	48	1,1	217	0,05	47	0,61	232	0,03	47	*	*				
		333,43	14,82	45/2	2,1	208	0,07	66	1,3	219	0,05	65	0,75	227	0,03	65	*	*				
		293,19	13,03	45/2	2,4	208	0,08	66	1,5	219	0,05	66	0,85	229	0,03	65	*	*				
		209,25	9,30	45/2	3,3	209	0,11	66	2,2	216	0,08	66	1,2	231	0,04	65	*	*				
		181,66	8,07	45/2	3,9	209	0,13	66	2,5	217	0,09	66	1,4	232	0,05	66	*	*				
		158,12	14,82	32/3	4,4	208	0,12	77	2,8	219	0,08	77	1,6	227	0,05	77	*	*				
		139,04	13,03	32/3	5,0	208	0,14	77	3,2	219	0,10	77	1,8	229	0,06	77	*	*				
		122,68	11,50	32/3	5,7	208	0,16	77	3,7	218	0,11	77	2,0	229	0,06	77	*	*				
		99,23	9,30	32/3	7,1	203	0,20	77	4,5	211	0,13	77	2,5	225	0,08	77	*	*				
		86,15	8,07	32/3	8,1	193	0,19	78	5,2	199	0,12	77	2,9	199	0,07	77	*	*				
	76,61	14,82	31/6	9,1	141	0,16	83	5,9	141	0,10	83	3,3	139	0,06	82	*	*					
	67,37	13,03	31/6	10	139	0,18	83	6,7	139	0,12	83	3,7	138	0,07	82	*	*					
	59,44	11,50	31/6	12	138	0,19	83	7,6	138	0,12	83	4,2	137	0,07	82	*	*					
	48,08	9,30	31/6	15	118	0,19	83	9,4	120	0,12	83	5,2	120	0,07	83	*	*					
	41,74	8,07	31/6	17	109	0,19	83	11	109	0,12	83	6,0	109	0,07	83	*	*					
SK 02050	524,79	10,29	51/1	1,3	198	0,06	47	0,86	206	0,04	47	0,48	218	0,02	47	*	*					
	440,13	8,63	51/1	1,6	198	0,07	48	1,0	205	0,05	47	0,57	219	0,03	47	*	*					
	385,56	7,56	51/1	1,8	198	0,08	48	1,2	207	0,06	47	0,65	220	0,03	47	*	*					
	341,70	6,70	51/1	2,0	199	0,09	48	1,3	208	0,06	47	0,73	221	0,04	47	*	*					
	⇒ F52	231,41	10,29	45/2	3,0	198	0,09	66	1,9	206	0,06	66	1,1	211	0,04	65	*	*				
		194,18	8,63	45/2	3,6	198	0,11	66	2,3	205	0,07	66	1,3	219	0,05	65	*	*				
	IEC	170,10	7,56	45/2	4,1	198	0,13	67	2,6	207	0,09	66	1,5	220	0,05	66	*	*				
	mm	147,90	2,90	51/1	4,7	194	0,19	51	3,0	207	0,13	49	1,7	219	0,08	48	*	*	*	*		
	⇒ A12	130,05	2,55	51/1	5,4	188	0,21	51	3,5	201	0,15	49	1,9	212	0,09	48	*	*	*	*		
		114,75	2,25	51/1	6,1	190	0,23	52	3,9	203	0,17	50	2,2	216	0,10	48	*	*	*	*		
		92,82	1,82	51/1	7,5	195	0,29	53	4,8	207	0,20	51	2,7	224	0,13	49	*	*	*	*		
		80,58	1,58	51/1	8,7	198	0,34	53	5,6	211	0,24	51	3,1	229	0,15	49	*	*	*	*		
		65,25	2,90	45/2	11	186	0,31	69	6,9	199	0,21	68	3,8	210	0,13	66	*	*	*	*		
		57,38	2,55	45/2	12	188	0,34	69	7,8	201	0,24	68	4,4	212	0,15	67	*	*	*	*		
		50,63	2,25	45/2	14	176	0,37	70	8,9	187	0,26	68	4,9	199	0,15	67	*	*	*	*		
		40,95	1,82	45/2	17	180	0,45	71	11	191	0,32	69	6,1	206	0,20	67	*	*	*	*		
		35,55	1,58	45/2	20	183	0,54	71	13	195	0,38	69	7,0	211	0,23	68	*	*	*	*		
		30,94	2,90	32/3	23	172	0,52	79	15	183	0,37	78	8,1	194	0,21	78	*	*	*	*		
		27,21	2,55	32/3	26	174	0,59	80	17	185	0,42	79	9,2	196	0,24	78	*	*	*	*		
		24,01	2,25	32/3	29	176	0,67	80	19	187	0,47	79	10	199	0,27	78	*	*	*	*		
		19,42	1,82	32/3	36	168	0,78	81	23	178	0,54	79	13	193	0,34	78	*	*	*	*		
	16,86	1,58	32/3	42	141	0,77	81	27	151	0,53	80	15	164	0,33	78	*	*	*	*			
	14,72	1,38	32/3	48	135	0,84	81	31	146	0,59	80	17	158	0,36	79	*	*	*	*			
	13,18	2,55	31/6	53	134	0,75	85	34	141	0,50	84	19	139	0,27	83	*	*	*	*			
	11,63	2,25	31/6	60	128	0,75	85	39	136	0,50	85	21	140	0,27	84	*	*	*	*			
	9,41	1,82	31/6	74	128	0,75	86	48	135	0,50	85	27	137	0,27	84	*	*	*	*			
	8,17	1,58	31/6	86	130	0,75	86	55	137	0,50	85	31	135	0,27	84	*	*	*	*			
	7,13	1,38	31/6	98	126	0,75	87	63	136	0,50	86	35	133	0,27	84	*	*	*	*			

* ⇒ A63

kg	W	IEC 63	IEC 71	IEC 80	IEC 90
SK 13050	25	26	27	-	-
SK 02050	20	21	22	25	25

Helical-worm gear units

SK 13063 SK 12063



	i _{ges}	i1	z2/z1	W				W				IEC						
				n ₂	M _{2max}	P _{1max}	η	n ₂	M _{2max}	P _{1max}	η	f _B ⇒ F4 - F20						
												n ₁ = 1400 min ⁻¹				n ₁ = 930 min ⁻¹		
[min ⁻¹]	[Nm]	[kW]	[%]	[min ⁻¹]	[Nm]	[kW]	[%]	63	71									
SK 13063	#3631,55	71,21	51/1	0,39	380	0,03	45	0,26	387	0,02	45	*	*					
	#2705,13	53,04	51/1	0,52	380	0,04	46	0,34	390	0,03	45	*	*					
	#2374,16	46,55	51/1	0,59	380	0,05	46	0,39	391	0,04	45	*	*					
W	#2110,94	41,39	51/1	0,66	380	0,06	46	0,44	393	0,04	45	*	*					
mm	#1343,63	62,49	43/2	1,0	380	0,06	64	0,69	388	0,04	64	*	*					
⇒ F52	#1140,40	53,04	43/2	1,2	380	0,07	64	0,82	390	0,05	64	*	*					
	938,20	18,40	51/1	1,5	380	0,13	47	0,99	392	0,09	46	*	*					
	737,53	14,46	51/1	1,9	380	0,16	48	1,3	396	0,11	47	*	*					
IEC	604,62	11,86	51/1	2,3	380	0,19	48	1,5	396	0,13	47		*					
mm	531,64	10,42	51/1	2,6	380	0,21	49	1,7	395	0,15	47		*					
⇒ A12	471,70	9,25	51/1	3,0	380	0,24	49	2,0	394	0,17	48		*					
	395,51	18,40	43/2	3,5	380	0,21	66	2,4	392	0,15	65		*					
	349,37	16,25	43/2	4,0	380	0,24	66	2,7	394	0,17	65		*					
	310,92	14,46	43/2	4,5	380	0,27	66	3,0	396	0,19	66		*					
	254,89	11,86	43/2	5,5	370	0,32	67	3,6	385	0,22	66		*					
	224,12	10,42	43/2	6,2	370	0,36	67	4,1	384	0,25	66		*					
	198,86	9,25	43/2	7,0	360	0,37	68	4,7	373	0,24	66							
	178,31	14,46	37/3	7,9	340	0,37	76	5,2	354	0,26	75							
	146,17	11,86	37/3	9,6	330	0,37	77	6,4	333	0,24	76							
	128,53	10,42	37/3	11	300	0,37	77	7,2	296	0,24	76							
	114,04	9,25	37/3	12	260	0,37	77	8,2	260	0,24	76							
	97,03	7,87	37/3	14	230	0,37	78	9,6	227	0,24	77							
	79,54	14,46	33/6	18	200	0,37	84	12	198	0,24	83							
	65,20	11,86	33/6	21	170	0,37	84	14	168	0,24	83							

	i _{ges}	i1	z2/z1	W				W				IEC						
				n ₂	M _{2max}	P _{1max}	η	n ₂	M _{2max}	P _{1max}	η	f _B ⇒ F4 - F20						
												n ₁ = 1400 min ⁻¹				n ₁ = 930 min ⁻¹		
[min ⁻¹]	[Nm]	[kW]	[%]	[min ⁻¹]	[Nm]	[kW]	[%]	63	71	80	90	100						
SK 12063	#626,79	12,29	51/1	2,2	360	0,17	48	1,5	375	0,13	47	*	*					
	#529,38	10,38	51/1	2,6	360	0,20	49	1,8	374	0,15	47		*					
	#464,61	9,11	51/1	3,0	360	0,23	49	2,0	373	0,16	48		*					
W	#413,10	8,10	51/1	3,4	360	0,26	50	2,3	375	0,19	48		*	*				
mm	#264,24	12,29	43/2	5,3	350	0,29	67	3,5	349	0,19	66		*					
⇒ F52	#223,17	10,38	43/2	6,3	360	0,35	67	4,2	374	0,25	66		*					
	#195,86	9,11	43/2	7,1	360	0,39	68	4,7	373	0,27	67		*					
	183,60	3,60	51/1	7,6	325	0,48	54	5,1	343	0,35	52			*	*			
	162,18	3,18	51/1	8,6	310	0,51	55	5,7	330	0,38	52			*	*			
IEC	144,33	2,83	51/1	9,7	300	0,54	56	6,4	322	0,41	53			*	*	*		
mm	118,32	2,32	51/1	12	295	0,64	58	7,9	320	0,49	54			*	*	*	*	
⇒ A12	104,04	2,04	51/1	13	295	0,68	59	8,9	322	0,55	55			*	*	*	*	
	92,31	1,81	51/1	15	295	0,77	60	10	325	0,61	56			*	*	*	*	
	77,40	3,60	43/2	18	305	0,80	72	12	322	0,58	70			*	*	*	*	
	68,37	3,18	43/2	20	295	0,85	73	14	314	0,66	70			*	*	*	*	
	60,85	2,83	43/2	23	280	0,92	73	15	301	0,67	71			*	*	*	*	
	49,88	2,32	43/2	28	262	1,02	75	19	284	0,78	72			*	*	*	*	
	43,86	2,04	43/2	32	250	1,12	75	21	273	0,82	73			*	*	*	*	
	38,92	1,81	43/2	36	245	1,22	76	24	270	0,92	74			*	*	*	*	
	34,89	2,83	37/3	40	262	1,35	81	27	281	0,99	80			*	*	*	*	
	28,61	2,32	37/3	49	245	1,53	82	33	266	1,13	81			*	*	*	*	
	25,15	2,04	37/3	56	245	1,73	83	37	268	1,28	81			*	*	*	*	
	22,32	1,81	37/3	63	245	1,95	83	42	270	1,45	82			*	*	*	*	
	18,99	1,54	37/3	74	215	1,98	84	49	240	1,50	82			*	*	*	*	
	15,57	2,83	33/6	90	190	2,06	87	60	204	1,49	86			*	*	*	*	
	12,76	2,32	33/6	110	180	2,20	88	73	195	1,45	87			*	*	*	*	
	11,22	2,04	33/6	125	175	2,20	88	83	191	1,45	87			*	*	*	*	
	9,96	1,81	33/6	141	170	2,20	89	93	187	1,45	88			*	*	*	*	
	8,47	1,54	33/6	165	166	2,20	89	110	185	1,45	88			*	*	*	*	
	7,43	1,35	33/6	188	156	2,20	90	125	176	1,45	88			*	*	*	*	

kg	W	IEC 63	IEC 71	IEC 80	IEC 90	IEC 100
SK 13063	29	30	31	-	-	-
SK 12063	24	25	26	29	29	29

* ⇒ A63



	i _{ges}	i1	z2/z1	W				W				W				IEC						
				n ₂	M _{2max}	P _{1max}	η	n ₂	M _{2max}	P _{1max}	η	n ₂	M _{2max}	P _{1max}	η	f _B ⇒ F4 - F20						
				f _B = 1 f _B ≥ 1				f _B = 1 f _B ≥ 1				f _B = 1 f _B ≥ 1				IEC IEC						
n ₁ = 700 min ⁻¹				n ₁ = 450 min ⁻¹				n ₁ = 250 min ⁻¹														
[min ⁻¹] [Nm] [kW] [%]				[min ⁻¹] [Nm] [kW] [%]				[min ⁻¹] [Nm] [kW] [%]				63 71										
SK 13063	#3631,55	71,21	51/1	0,19	392	0,02	45	0,12	426	0,01	45	0,07	454	0,01	45	*	*					
	#2705,13	53,04	51/1	0,26	394	0,02	45	0,17	413	0,02	45	0,09	451	0,01	45	*	*					
	#2374,16	46,55	51/1	0,29	397	0,03	45	0,19	406	0,02	45	0,11	449	0,01	45	*	*					
	#2110,94	41,39	51/1	0,33	399	0,03	45	0,21	406	0,02	45	0,12	447	0,01	45	*	*					
	#1343,63	62,49	43/2	0,52	392	0,03	64	0,33	421	0,02	64	0,19	452	0,01	64	*	*					
	#1140,40	53,04	43/2	0,61	394	0,04	64	0,39	413	0,03	64	0,22	428	0,02	64	*	*					
	⇒ F52	938,20	18,40	51/1	0,75	407	0,07	46	0,48	424	0,05	45	0,27	437	0,03	45	*	*				
		737,53	14,46	51/1	0,95	405	0,09	46	0,61	427	0,06	46	0,34	444	0,04	45	*	*				
	IEC	604,62	11,86	51/1	1,2	405	0,11	47	0,74	425	0,07	46	0,41	447	0,04	45	*	*				
	mm	531,64	10,42	51/1	1,3	406	0,12	47	0,85	423	0,08	46	0,47	448	0,05	45	*	*				
	⇒ A12	471,70	9,25	51/1	1,5	406	0,14	47	0,95	421	0,09	46	0,53	449	0,05	46	*	*				
		395,51	18,40	43/2	1,8	407	0,12	65	1,1	424	0,08	64	0,63	437	0,05	64	*	*				
		349,37	16,25	43/2	2,0	406	0,13	65	1,3	425	0,09	65	0,72	440	0,05	64	*	*				
		310,92	14,46	43/2	2,3	405	0,15	65	1,4	427	0,10	65	0,8	444	0,06	64	*	*				
		254,89	11,86	43/2	2,7	395	0,17	65	1,8	414	0,12	65	0,98	435	0,07	64	*	*				
		224,12	10,42	43/2	3,1	395	0,19	66	2,0	412	0,13	65	1,1	430	0,08	64	*	*				
		198,86	9,25	43/2	3,5	385	0,19	66	2,3	388	0,12	65	1,3	382	0,07	64	*	*				
		178,31	14,46	37/3	3,9	363	0,20	75	2,5	382	0,13	75	1,4	396	0,08	74	*	*				
		146,17	11,86	37/3	4,8	329	0,19	75	3,1	329	0,12	75	1,7	325	0,07	74	*	*				
		128,53	10,42	37/3	5,4	292	0,19	75	3,5	292	0,12	75	1,9	288	0,07	74						
	114,04	9,25	37/3	6,1	260	0,19	76	3,9	257	0,12	75	2,2	257	0,07	75							
	97,03	7,87	37/3	7,2	224	0,19	76	4,6	221	0,12	75	2,6	221	0,07	75							
	79,54	14,46	33/6	8,8	198	0,19	83	5,7	196	0,12	82	3,1	196	0,07	82							
	65,20	11,86	33/6	11	168	0,19	83	6,9	168	0,12	83	3,8	166	0,07	82							

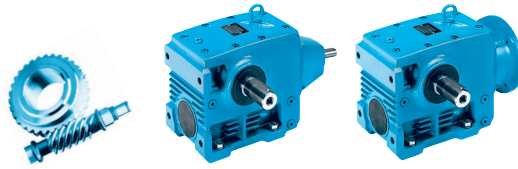
	i _{ges}	i1	z2/z1	W				W				W				IEC						
				n ₂	M _{2max}	P _{1max}	η	n ₂	M _{2max}	P _{1max}	η	n ₂	M _{2max}	P _{1max}	η	f _B ⇒ F4 - F20						
				f _B = 1 f _B ≥ 1				f _B = 1 f _B ≥ 1				f _B = 1 f _B ≥ 1				IEC IEC						
n ₁ = 700 min ⁻¹				n ₁ = 450 min ⁻¹				n ₁ = 250 min ⁻¹														
[min ⁻¹] [Nm] [kW] [%]				[min ⁻¹] [Nm] [kW] [%]				[min ⁻¹] [Nm] [kW] [%]				63 71 80 90 100										
SK 12063	#626,79	12,29	51/1	1,1	384	0,10	46	0,72	403	0,07	46	0,4	423	0,04	45	*	*					
	#529,38	10,38	51/1	1,3	385	0,11	47	0,85	401	0,08	46	0,47	424	0,05	45	*	*					
	#464,61	9,11	51/1	1,5	385	0,13	47	0,97	399	0,09	46	0,54	426	0,05	46	*	*					
	#413,10	8,10	51/1	1,7	385	0,15	47	1,1	401	0,10	46	0,61	428	0,06	46	*	*					
	#264,24	12,29	43/2	2,6	344	0,14	65	1,7	344	0,09	65	0,95	338	0,05	64	*	*					
	#223,17	10,38	43/2	3,1	385	0,19	66	2,0	401	0,13	65	1,1	424	0,08	64	*	*					
	⇒ F52	#195,86	9,11	43/2	3,6	385	0,22	66	2,3	399	0,15	65	1,3	426	0,09	64	*	*				
		183,60	3,60	51/1	3,8	359	0,29	50	2,5	377	0,21	48	1,4	399	0,12	47			*	*		
	IEC	162,18	3,18	51/1	4,3	343	0,30	51	2,8	363	0,22	49	1,5	384	0,13	47			*	*		
	mm	144,33	2,83	51/1	4,8	333	0,33	51	3,1	355	0,24	49	1,7	376	0,14	47			*	*	*	
	⇒ A12	118,32	2,32	51/1	5,9	333	0,39	53	3,8	355	0,28	50	2,1	377	0,17	48			*	*	*	*
		104,04	2,04	51/1	6,7	338	0,45	53	4,3	359	0,32	51	2,4	385	0,20	48			*	*	*	*
		92,31	1,81	51/1	7,6	343	0,51	54	4,9	363	0,37	51	2,7	393	0,23	49			*	*	*	*
		77,40	3,60	43/2	9	336	0,46	69	5,8	353	0,32	67	3,2	374	0,19	66			*	*	*	*
		68,37	3,18	43/2	10	327	0,50	69	6,6	345	0,36	67	3,7	366	0,21	66			*	*	*	*
		60,85	2,83	43/2	12	311	0,56	70	7,4	332	0,38	68	4,1	351	0,23	66			*	*	*	*
		49,88	2,32	43/2	14	296	0,61	71	9	315	0,43	69	5	335	0,26	67			*	*	*	*
		43,86	2,04	43/2	16	286	0,67	71	10	304	0,46	69	5,7	326	0,29	67			*	*	*	*
		38,92	1,81	43/2	18	285	0,75	72	12	301	0,54	70	6,4	327	0,33	67			*	*	*	*
		34,89	2,83	37/3	20	291	0,77	79	13	310	0,55	77	7,2	328	0,33	76			*	*	*	*
	28,61	2,32	37/3	24	277	0,88	79	16	295	0,63	78	8,7	313	0,38	76			*	*	*	*	
	25,15	2,04	37/3	28	281	1,03	80	18	298	0,72	78	9,9	320	0,43	77			*	*	*	*	
	22,32	1,81	37/3	31	285	1,16	80	20	301	0,80	79	11	327	0,49	77			*	*	*	*	
	18,99	1,54	37/3	37	254	1,21	81	24	272	0,87	79	13	295	0,52	77			*	*	*	*	
	15,57	2,83	33/6	45	211	1,16	86	29	225	0,81	84	16	238	0,48	83			*	*	*	*	
	12,76	2,32	33/6	55	203	1,10	86	35	216	0,73	85	20	230	0,40	84			*	*	*	*	
	11,22	2,04	33/6	62	200	1,10	86	40	213	0,73	85	22	228	0,40	84			*	*	*	*	
	9,96	1,81	33/6	70	197	1,10	87	45	209	0,73	86	25	227	0,40	84			*	*	*	*	
	8,47	1,54	33/6	83	196	1,10	87	53	210	0,73	86	30	228	0,40	85			*	*	*	*	
	7,43	1,35	33/6	94	187	1,10	88	61	202	0,73	86	34	220	0,40	85			*	*	*	*	

kg	W	IEC 63	IEC 71	IEC 80	IEC 90	IEC 100
SK 13063	29	30	31	-	-	-
SK 12063	24	25	26	29	29	29

* ⇒ A63

Helical-worm gear units

SK 33100 SK 32100



	i _{ges}	i1	z2/z1	W				W				IEC						
				n ₂	M _{2max}	P _{1max}	η	n ₂	M _{2max}	P _{1max}	η	f _B ⇨ F4 - F20						
												n ₁ = 1400 min ⁻¹				n ₁ = 930 min ⁻¹		
[min ⁻¹]	[Nm]	[kW]	[%]	[min ⁻¹]	[Nm]	[kW]	[%]											
SK 33100	5875,95	117,52	50/1	0,24	1590	0,09	45	0,16	1682	0,06	45	*	*					
	4646,10	92,92	50/1	0,30	1590	0,11	46	0,2	1612	0,08	45	*	*					
W	3735,10	74,70	50/1	0,37	1590	0,13	46	0,25	1618	0,09	45	*	*					
mm	2200,07	44,00	50/1	0,64	1590	0,23	47	0,42	1640	0,16	46		*					
	1671,69	33,43	50/1	0,84	1590	0,30	47	0,56	1657	0,21	46		*					
⇨ F52	1507,71	30,15	50/1	0,93	1590	0,32	48	0,62	1666	0,23	47		*					
	1175,19	23,50	50/1	1,2	1590	0,42	48	0,79	1661	0,29	47							
	660,60	13,21	50/1	2,1	1590	0,69	51	1,4	1659	0,50	49			*	*			
IEC	519,31	10,39	50/1	2,7	1590	0,86	52	1,8	1651	0,62	50			*	*			
mm	468,37	9,37	50/1	3,0	1590	0,94	53	2,0	1647	0,69	50			*	*			
⇨ A12	365,07	7,30	50/1	3,8	1510	1,09	55	2,5	1580	0,80	52			*	*			
	299,28	5,99	50/1	4,7	1510	1,33	56	3,1	1599	0,98	53			*	*			
	257,63	13,21	39/2	5,4	1510	1,22	70	3,6	1575	0,86	69			*	*			
	182,66	9,37	39/2	7,7	1420	1,5	72	5,1	1471	0,99	70							
	142,38	7,30	39/2	9,8	1310	1,5	74	6,5	1371	0,99	71							
	121,21	10,39	35/3	12	1190	1,5	80	7,7	1236	0,99	78							
	109,32	9,37	35/3	13	1190	1,5	80	8,5	1232	0,99	79							
	85,21	7,30	35/3	16	1080	1,5	81	11	1130	0,99	80							
	69,85	5,99	35/3	20	1080	1,5	82	13	1143	0,99	80							
	53,70	10,39	31/6	26	690	1,5	86	17	696	0,99	85							

	i _{ges}	i1	z2/z1	W				W				IEC						
				n ₂	M _{2max}	P _{1max}	η	n ₂	M _{2max}	P _{1max}	η	71	80	90	100	112	132	
SK 32100	645,00	12,90	50/1	2,2	1420	0,64	51	1,4	1481	0,44	49			*	*			
	510,00	10,20	50/1	2,7	1420	0,77	52	1,8	1474	0,56	50			*	*			
W	410,00	8,20	50/1	3,4	1355	0,89	54	2,3	1410	0,67	51			*	*	*	*	
mm	304,00	6,08	50/1	4,6	1420	1,22	56	3,1	1502	0,92	53			*	*	*	*	
	241,50	4,83	50/1	5,8	1420	1,49	58	3,9	1506	1,12	55			*	*	*	*	
⇨ F53	183,50	3,67	50/1	7,6	1365	1,78	61	5,1	1439	1,35	57			*	*	*	*	
	165,50	3,31	50/1	8,5	1330	1,91	62	5,6	1411	1,43	58			*	*	*	*	
IEC	129,00	2,58	50/1	11	1240	2,2	65	7,2	1337	1,68	60			*	*	*	*	
mm	104,00	2,08	50/1	13	1170	2,38	67	8,9	1276	1,89	63			*	*	*	*	
⇨ A12	94,19	4,83	39/2	15	1310	2,71	76	9,9	1389	1,95	74			*	*	*	*	
	71,57	3,67	39/2	20	1220	3,28	78	13	1286	2,33	75			*	*	*	*	
	64,55	3,31	39/2	22	1190	3,47	79	14	1263	2,44	76			*	*	*	*	
	50,31	2,58	39/2	28	1110	4,07	80	18	1197	2,89	78			*	*	*	*	
	42,83	3,67	35/3	33	1100	4,47	85	22	1159	3,22	83			*	*	*	*	
	38,63	3,31	35/3	36	1100	4,88	85	24	1167	3,53	83			*	*	*	*	
	34,32	1,76	39/2	41	1090	5,64	83	27	1202	4,25	80			*	*	*	*	
	30,11	2,58	35/3	46	1050	5,88	86	31	1132	4,37	84			*	*	*	*	
	24,27	2,08	35/3	58	1020	7,12	87	38	1112	5,21	85			*	*	*	*	
	20,54	1,76	35/3	68	840	6,80	88	45	926	5,07	86			*	*	*	*	
	18,97	3,67	31/6	74	720	6,20	90	49	721	4,20	88			*	*	*	*	
	17,11	3,31	31/6	82	710	6,77	90	54	725	4,61	89			*	*	*	*	
	16,22	1,39	35/3	86	750	7,50	89	57	844	4,95	87			*	*	*	*	
	13,34	2,58	31/6	105	710	7,50	91	70	712	4,95	89			*	*	*	*	
	10,75	2,08	31/6	130	725	7,50	91	87	717	4,95	90			*	*	*	*	
	9,10	1,76	31/6	154	725	7,50	92	102	717	4,95	91			*	*	*	*	
	7,19	1,39	31/6	195	680	7,50	92	129	680	4,95	91			*	*	*	*	

* ⇨ A63

kg	W	IEC 63	IEC 71	IEC 80	IEC 90	IEC 100	IEC 112	IEC 132
SK 33100	68	69	70	73	73	-	-	-
SK 32100	66	-	64	68	68	72	72	81



	i _{ges}	i1	z2/z1	W				W				W				IEC								
				n ₂	M _{2max}	P _{1max}	η	n ₂	M _{2max}	P _{1max}	η	n ₂	M _{2max}	P _{1max}	η	f _B ⇒ F4 - F20								
																n ₁ = 700 min ⁻¹				n ₁ = 450 min ⁻¹				n ₁ = 250 min ⁻¹
[min ⁻¹]	[Nm]	[kW]	[%]	[min ⁻¹]	[Nm]	[kW]	[%]	[min ⁻¹]	[Nm]	[kW]	[%]													
SK 33100	5875,95	117,52	50/1	0,12	1760	0,05	45	0,08	1845	0,03	45	0,04	1913	0,02	45	*	*							
	4646,10	92,92	50/1	0,15	1712	0,06	45	0,10	1820	0,04	45	0,05	1907	0,02	45	*	*							
	3735,10	74,70	50/1	0,19	1655	0,07	45	0,12	1791	0,05	45	0,07	1900	0,03	45	*	*							
W	2200,07	44,00	50/1	0,32	1664	0,12	46	0,20	1690	0,08	45	0,11	1874	0,05	45	*	*							
mm	1671,69	33,43	50/1	0,42	1690	0,16	46	0,27	1726	0,11	46	0,15	1853	0,06	45	*	*							
⇒ F52	1507,71	30,15	50/1	0,46	1703	0,18	46	0,30	1743	0,12	46	0,17	1843	0,07	45									
	1175,19	23,50	50/1	0,6	1710	0,23	47	0,38	1762	0,15	46	0,21	1805	0,09	45									
	660,60	13,21	50/1	1,1	1695	0,41	48	0,68	1785	0,27	47	0,38	1865	0,16	46			*	*					
IEC	519,31	10,39	50/1	1,3	1698	0,47	49	0,87	1772	0,34	47	0,48	1875	0,20	46				*	*				
mm	468,37	9,37	50/1	1,5	1700	0,54	49	0,96	1764	0,37	48	0,53	1880	0,23	46				*	*				
⇒ A12	365,07	7,30	50/1	1,9	1619	0,64	50	1,2	1692	0,44	48	0,68	1800	0,27	47				*	*				
	299,28	5,99	50/1	2,3	1642	0,78	51	1,5	1715	0,55	49	0,84	1815	0,34	47				*	*				
	257,63	13,21	39/2	2,7	1610	0,67	68	1,7	1696	0,45	67	0,97	1771	0,27	66				*	*				
	182,66	9,37	39/2	3,8	1518	0,75	69	2,5	1576	0,50	68	1,4	1679	0,27	67				*	*				
	142,38	7,30	39/2	4,9	1405	0,75	70	3,2	1468	0,50	68	1,8	1562	0,27	67				*	*				
	121,21	10,39	35/3	5,8	1271	0,75	78	3,7	1326	0,50	77	2,1	1403	0,27	76				*	*				
	109,32	9,37	35/3	6,4	1272	0,75	78	4,1	1320	0,50	77	2,3	1397	0,27	76				*	*				
	85,21	7,30	35/3	8,2	1158	0,75	79	5,3	1210	0,50	77	2,9	1287	0,27	76				*	*				
	69,85	5,99	35/3	10	1174	0,75	79	6,4	1227	0,50	78	3,6	1298	0,27	76				*	*				
	53,70	10,39	31/6	13	688	0,75	84	8,4	688	0,50	84	4,7	680	0,27	83				*	*				
SK 32100	645,00	12,90	50/1	1,1	1514	0,36	48	0,70	1593	0,25	47	0,39	1666	0,15	46			*	*					
	510,00	10,20	50/1	1,4	1517	0,45	49	0,88	1581	0,31	47	0,49	1675	0,19	46			*	*					
W	410,00	8,20	50/1	1,7	1451	0,52	50	1,1	1508	0,36	48	0,61	1609	0,22	47			*	*	*	*			
mm	304,00	6,08	50/1	2,3	1542	0,73	51	1,5	1611	0,52	49	0,82	1706	0,31	47			*	*	*	*			
⇒ F53	241,50	4,83	50/1	2,9	1558	0,89	53	1,9	1621	0,65	50	1,0	1709	0,37	48			*	*	*	*			
	183,50	3,67	50/1	3,8	1505	1,09	55	2,5	1579	0,79	52	1,4	1671	0,50	49			*	*	*	*			
	165,50	3,31	50/1	4,2	1470	1,18	55	2,7	1552	0,84	52	1,5	1642	0,53	49			*	*	*	*			
IEC	129,00	2,58	50/1	5,4	1387	1,35	58	3,5	1479	1,00	54	1,9	1564	0,62	50			*	*	*	*			
mm	104,00	2,08	50/1	6,7	1337	1,56	60	4,3	1420	1,14	56	2,4	1521	0,75	51			*	*	*	*			
⇒ A12	94,19	4,83	39/2	7,4	1437	1,55	72	4,8	1495	1,07	70	2,7	1576	0,66	68			*	*	*	*			
	71,57	3,67	39/2	9,8	1345	1,89	73	6,3	1412	1,31	71	3,5	1494	0,79	69			*	*	*	*			
	64,55	3,31	39/2	11	1316	2,05	74	7,0	1389	1,41	72	3,9	1469	0,87	69			*	*	*	*			
	50,31	2,58	39/2	14	1242	2,40	76	8,9	1324	1,69	73	5	1400	1,05	70			*	*	*	*			
	42,83	3,67	35/3	16	1213	2,51	81	11	1273	1,86	79	5,8	1347	1,05	78			*	*	*	*			
	38,63	3,31	35/3	18	1216	2,80	82	12	1284	2,02	80	6,5	1358	1,18	78			*	*	*	*			
	34,32	1,76	39/2	20	1269	3,41	78	13	1346	2,44	75	7,3	1459	1,55	72			*	*	*	*			
	30,11	2,58	35/3	23	1175	3,41	83	15	1252	2,43	81	8,3	1324	1,46	79			*	*	*	*			
	24,27	2,08	35/3	29	1166	4,22	84	19	1238	3,00	82	10	1326	1,76	79			*	*	*	*			
	20,54	1,76	35/3	34	978	4,10	85	22	1037	2,88	83	12	1125	1,77	80			*	*	*	*			
	18,97	3,67	31/6	37	712	3,17	87	24	704	2,06	86	13	688	1,11	84			*	*	*	*			
	17,11	3,31	31/6	41	717	3,50	88	26	700	2,22	86	15	692	1,28	85			*	*	*	*			
	16,22	1,39	35/3	43	897	3,75	86	28	968	2,48	84	15	1051	1,35	81			*	*	*	*			
	13,34	2,58	31/6	52	712	3,75	89	34	696	2,48	87	19	680	1,35	85			*	*	*	*			
	10,75	2,08	31/6	65	709	3,75	89	42	701	2,48	88	23	685	1,35	86			*	*	*	*			
	9,10	1,76	31/6	77	709	3,75	90	49	694	2,48	88	27	678	1,35	86			*	*	*	*			
	7,19	1,39	31/6	97	680	3,75	91	63	665	2,48	89	35	650	1,35	87			*	*	*	*			

* ⇒ A63

Helical-worm gear units

kg	W	IEC 63	IEC 71	IEC 80	IEC 90	IEC 100	IEC 112	IEC 132
SK 33100	68	69	70	73	73	-	-	-
SK 32100	66	-	64	68	68	72	72	81

SK 43125 SK 42125



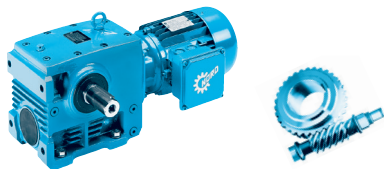
	i _{ges}	i1	z2/z1	W				W				IEC						
				n ₂	M _{2max}	P _{1max}	η	n ₂	M _{2max}	P _{1max}	η	f _B ⇒ F4 - F20						
												n ₁ = 1400 min ⁻¹				n ₁ = 930 min ⁻¹		
[min ⁻¹]	[Nm]	[kW]	[%]	[min ⁻¹]	[Nm]	[kW]	[%]	IEC	IEC	IEC	IEC	IEC						
SK 43125	7095,12	150,96	47/1	0,20	3000	0,13	47	0,13	3000	0,09	47	*	*	*				
	5057,67	107,61	47/1	0,28	3090	0,19	48	0,18	3222	0,13	47	*	*	*				
	3442,09	73,24	47/1	0,41	3090	0,28	48	0,27	3146	0,19	48	*	*	*				
W	2526,44	53,75	47/1	0,55	3090	0,36	49	0,37	3168	0,26	48	*	*	*				
mm	2056,63	43,76	47/1	0,68	3090	0,45	49	0,45	3187	0,31	48	*	*	*				
⇒ F53	1860,07	39,58	47/1	0,75	3090	0,50	49	0,50	3198	0,35	48	*	*	*				
	1639,55	34,88	47/1	0,85	3090	0,55	50	0,57	3215	0,39	49	*	*	*				
	1476,55	31,42	47/1	0,95	3090	0,61	50	0,63	3230	0,43	49	*	*	*				
IEC	1198,50	25,50	47/1	1,2	3090	0,76	51	0,78	3239	0,54	49		*	*				
mm	928,25	19,75	47/1	1,5	3090	0,93	52	1,0	3200	0,67	50		*	*				
⇒ A12	794,58	16,91	47/1	1,8	3090	1,10	53	1,2	3201	0,79	51		*	*				
	689,67	30,65	45/2	2,0	2830	0,87	68	1,3	2962	0,60	67		*	*				
	607,91	27,02	45/2	2,3	2670	0,95	68	1,5	2805	0,66	67		*	*				
	547,47	24,33	45/2	2,6	3090	1,22	69	1,7	3233	0,86	67		*	*				
	444,38	19,75	45/2	3,2	2990	1,45	69	2,1	3022	0,98	68		*	*				
	380,39	16,91	45/2	3,7	2610	1,44	70	2,4	2625	0,96	69		*	*				
	323,51	14,38	45/2	4,3	2400	1,52	71	2,9	2332	1,03	69		*	*				
	269,76	11,99	45/2	5,2	2810	2,13	72	3,4	2926	1,49	70		*	*				
	236,58	10,51	45/2	5,9	2810	2,38	73	3,9	2918	1,70	70		*	*				
	187,80	8,35	45/2	7,5	2590	2,75	74	5,0	2694	1,96	72		*	*				
	152,44	6,78	45/2	9,2	2590	3,28	76	6,1	2721	2,38	73		*	*				
	130,49	5,80	45/2	11	2480	3,71	77	7,1	2631	2,64	74		*	*				
	110,97	4,93	45/2	13	2370	4,00	78	8,4	2514	2,64	75		*	*				
	86,22	8,35	31/3	16	1760	3,55	83	11	1830	2,60	81		*	*				
	69,99	6,78	31/3	20	1560	3,89	84	13	1639	2,72	82		*	*				
	62,50	6,05	31/3	22	1570	4,00	85	15	1661	2,64	83		*	*				

	i _{ges}	i1	z2/z1	n ₂	M _{2max}	P _{1max}	η	n ₂	M _{2max}	P _{1max}	η	IEC						
												71	80	90	100	112	132	160
SK 42125	695,60	14,80	47/1	2,0	2850	1,11	54	1,3	2968	0,79	51		*					
	495,85	10,55	47/1	2,8	2850	1,49	56	1,9	2960	1,11	53		*	*	*			
	337,46	7,18	47/1	4,1	2850	2,07	59	2,8	2985	1,56	56		*	*	*	*		
W	247,69	5,27	47/1	5,7	2760	2,66	62	3,8	2932	2,01	58		*	*	*	*		
mm	201,63	4,29	47/1	6,9	2630	2,92	65	4,6	2781	2,23	60		*	*	*	*		
⇒ F54	182,36	3,88	47/1	7,7	2560	3,13	66	5,1	2700	2,36	61		*	*	*	*		
	160,74	3,42	47/1	8,7	2470	3,36	67	5,8	2615	2,52	63		*	*	*	*		
	144,76	3,08	47/1	9,7	2390	3,57	68	6,4	2549	2,67	64		*	*	*	*		
IEC, AI	117,50	2,50	47/1	12	2240	3,96	71	7,9	2419	3,03	66		*	*	*	*		
mm	100,58	2,14	47/1	14	2130	4,34	72	9,2	2319	3,29	68		*	*	*	*		
⇒ A12	87,30	3,88	45/2	16	2360	4,94	80	11	2489	3,72	77		*	*	*	*		
	76,95	3,42	45/2	18	2290	5,33	81	12	2424	3,90	78		*	*	*	*		
	69,30	3,08	45/2	20	2220	5,74	81	13	2368	4,13	78		*	*	*	*		
	56,25	2,50	45/2	25	2060	6,50	83	17	2225	4,95	80		*	*	*	*		
	48,15	2,14	45/2	29	1960	7,09	84	19	2134	5,24	81		*	*	*	*		
	40,95	1,82	45/2	34	1840	7,71	85	23	2024	5,94	82		*	*	*	*		
	35,33	3,42	31/3	40	1600	7,62	88	26	1694	5,36	86		*	*	*	*		
	31,82	3,08	31/3	44	1840	9,63	88	29	1962	6,93	86		*	*	*	*		
	25,83	2,50	31/3	54	1710	10,86	89	36	1847	8,00	87		*	*	*	*		
	22,11	2,14	31/3	63	1610	11,80	90	42	1753	8,76	88		*	*	*	*		
	18,80	1,82	31/3	74	1510	13,0	90	49	1661	9,58	89		*	*	*	*		
	15,92	3,08	31/6	88	1240	12,42	92	58	1300	8,77	90		*	*	*	*		
	14,57	1,41	31/3	96	1340	14,80	91	64	1506	11,21	90		*	*	*	*		
	12,93	2,50	31/6	108	1240	15,0	92	72	1314	9,90	91		*	*	*	*		
	11,06	2,14	31/6	127	1240	15,0	93	84	1297	9,90	92		*	*	*	*		
	9,41	1,82	31/6	149	1140	15,0	93	99	1254	9,90	92		*	*	*	*		
	8,43	1,63	31/6	166	1140	15,0	93	110	1234	9,90	92		*	*	*	*		
	7,76	1,50	31/6	180	1010	15,0	93	120	1129	9,90	93		*	*	*	*		
	7,29	1,41	31/6	192	940	15,0	93	128	1057	9,90	93		*	*	*	*		

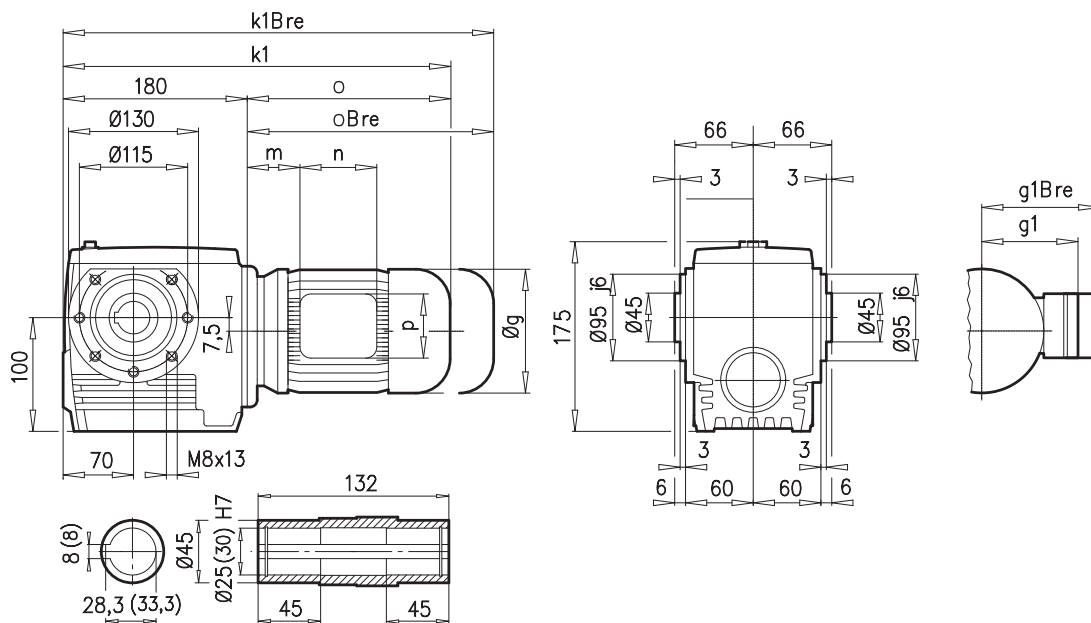
* ⇒ A63

kg	W	IEC 71	IEC 80	IEC 90	IEC 100	IEC 112	IEC 132	AI 160
SK 43125	123	121	125	125	129	129	-	-
SK 42125	116	-	-	111	118	118	132	131

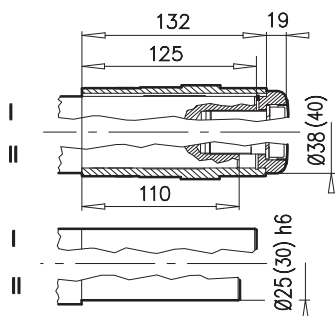
Helical-worm gear units



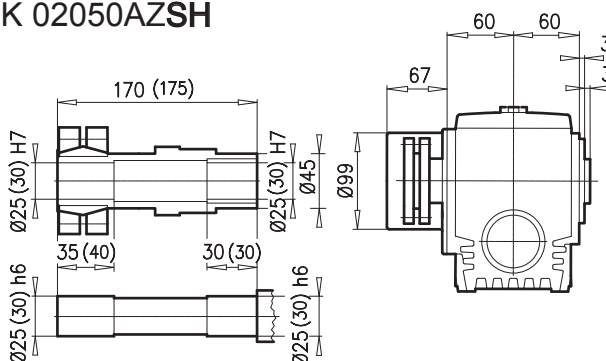
SK 02050AZ



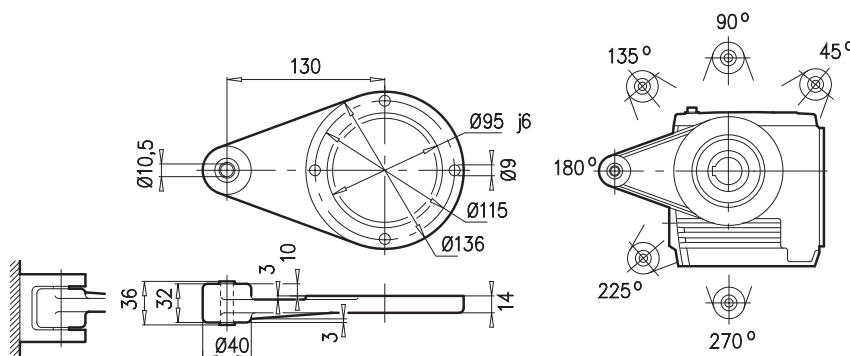
SK 02050AZB



SK 02050AZSH



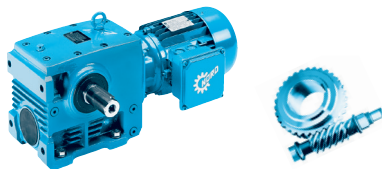
SK 02050AZD



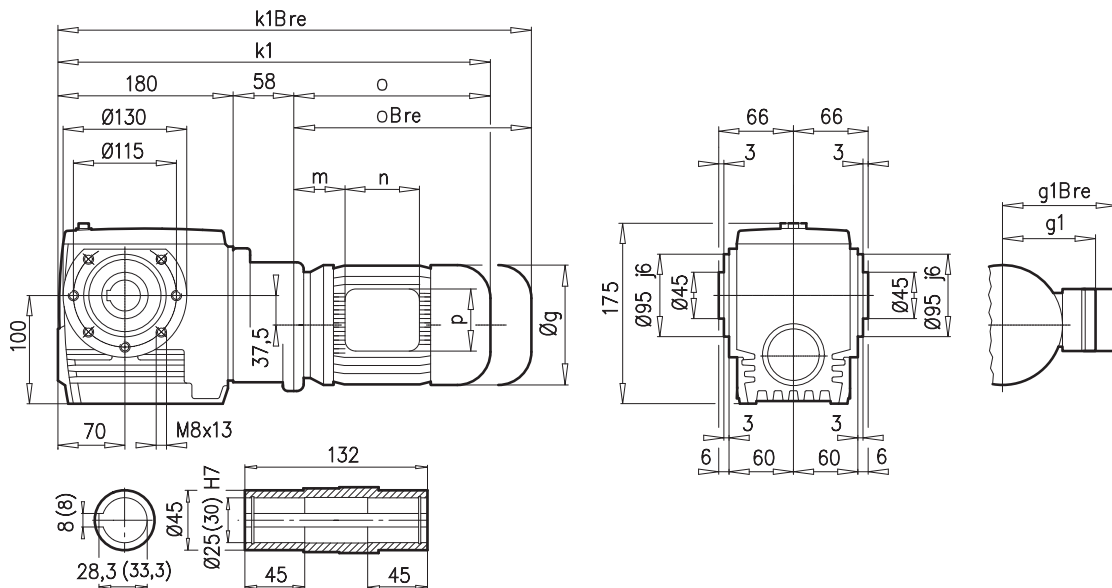
± ⇒ A61	63 S/L	71 S/L	80 SH	80 LP	90 SP/LP			
g	130	145	165	165	183			
g1 / g1Bre	115 / 123	124 / 132	142 / 142	142 / 142	147 / 147			
k1 / k1Bre	376 / 432	416 / 474	441 / 505	441 / 505	482 / 557			
o / oBre	196 / 252	236 / 294	261 / 325	261 / 325	302 / 377			
m / mBre	16 / 22	42 / 43	47 / 51	47 / 51	52 / 56			
n / nBre	100 / 134	100 / 134	114 / 153	114 / 153	114 / 153			
p / pBre	100 / 89	100 / 89	114 / 108	114 / 108	114 / 108			

W ⇒ F52
IEC ⇒ A12

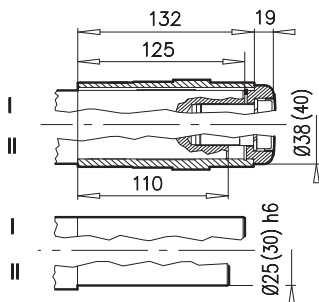
Helical-worm gear units



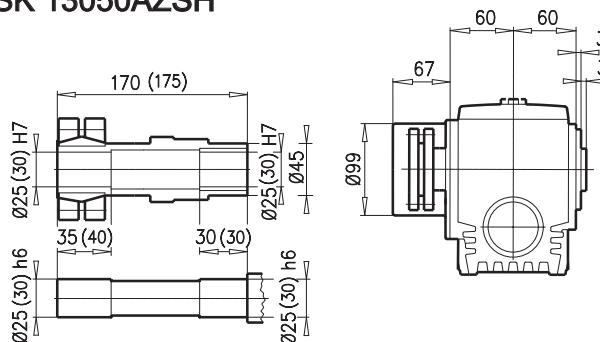
SK 13050AZ



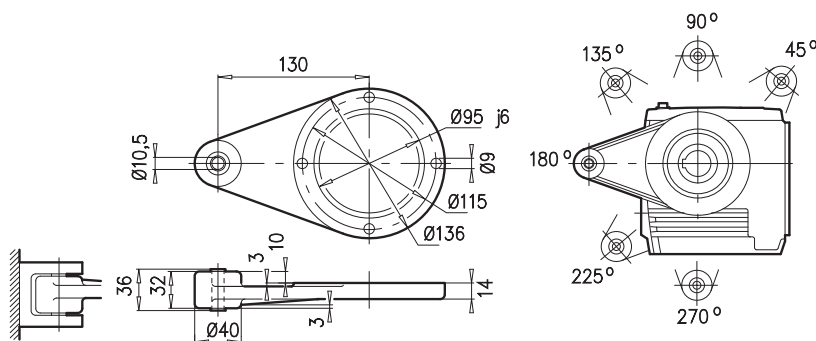
SK 13050AZB



SK 13050AZSH



SK 13050AZD



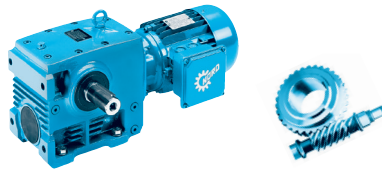
± ⇒ A61	63 S	71 S							
g	130	145							
g1 / g1Bre	115 / 123	124 / 132							
k1 / k1Bre	434 / 490	474 / 532							
o / oBre	192 / 248	236 / 294							
m / mBre	16 / 22	42 / 43							
n / nBre	100 / 134	100 / 134							
p / pBre	100 / 89	100 / 89							



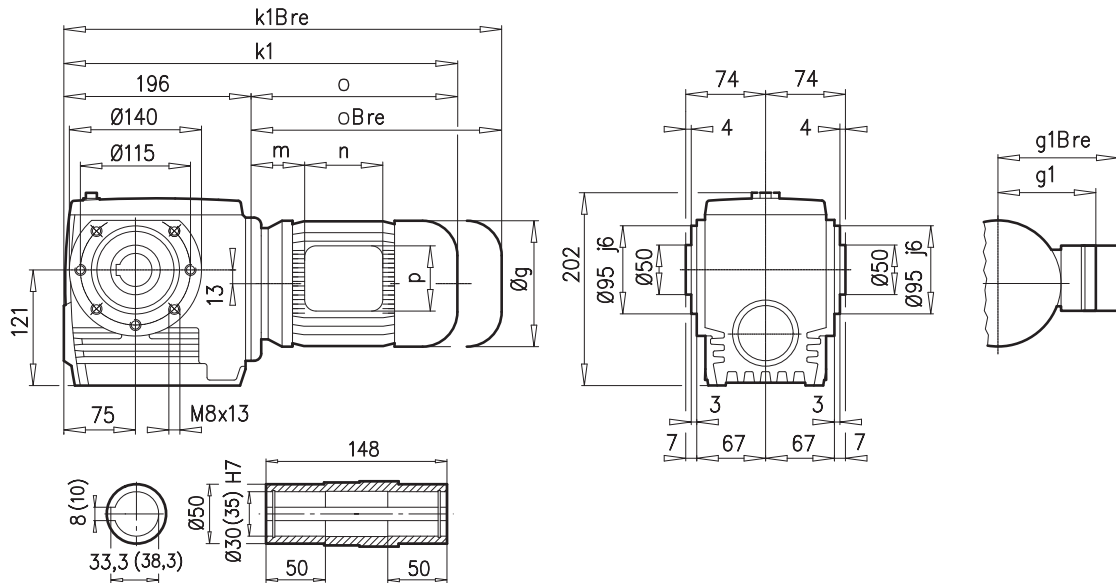
W ⇒ F52
IEC ⇒ A12



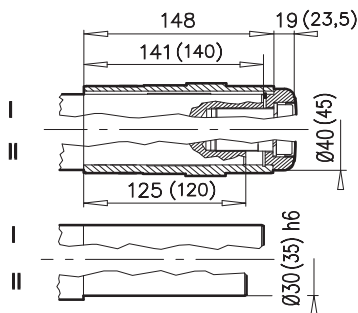
Helical-worm gear units



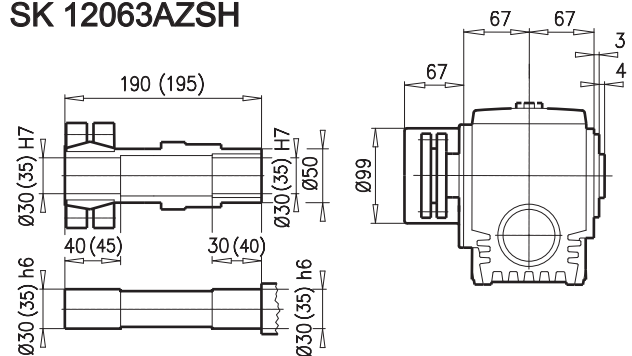
SK 12063AZ



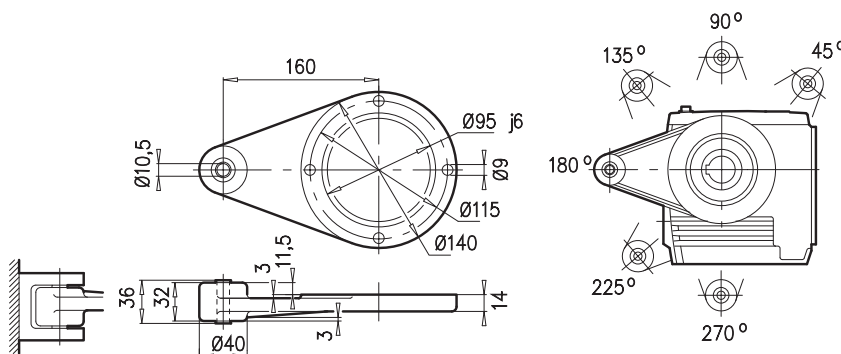
SK 12063AZB



SK 12063AZSH



SK 12063AZD

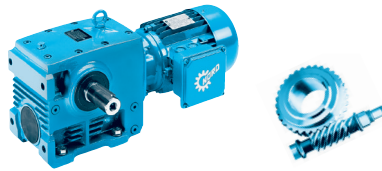


± ⇒ A61	63 S/L	71 S/L	80 SH	80 LP	90 SP/LP	100 LP		
g	130	145	165	165	183	201		
g1 / g1Bre	115 / 123	124 / 132	142 / 142	142 / 142	147 / 147	169 / 173		
k1 / k1Bre	392 / 448	432 / 490	457 / 521	457 / 521	498 / 573	528 / 619		
o / oBre	192 / 248	236 / 294	261 / 325	261 / 325	302 / 377	332 / 423		
m / mBre	16 / 22	42 / 43	47 / 51	47 / 51	52 / 56	58 / 62		
n / nBre	100 / 134	100 / 134	114 / 153	114 / 153	114 / 153	114 / 153		
p / pBre	100 / 89	100 / 89	114 / 108	114 / 108	114 / 108	114 / 108		

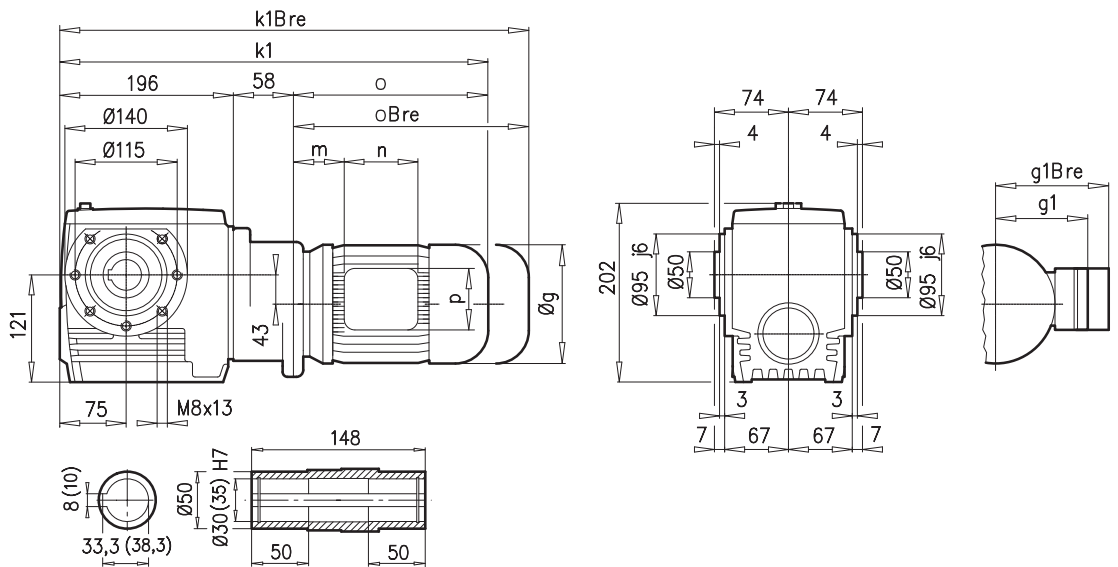


W ⇒ F52
IEC ⇒ A12

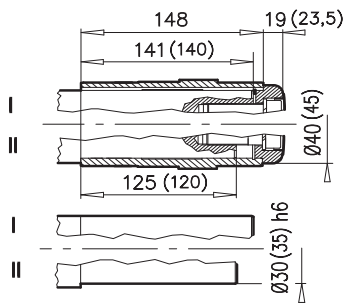




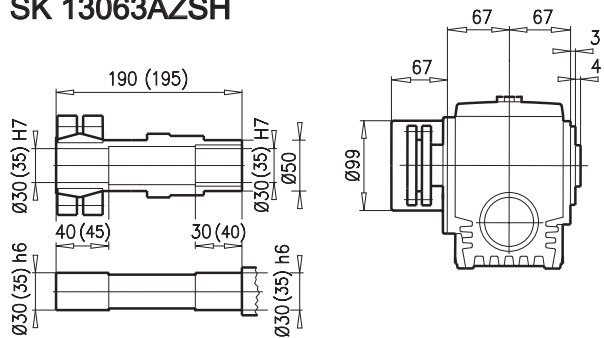
SK 13063AZ



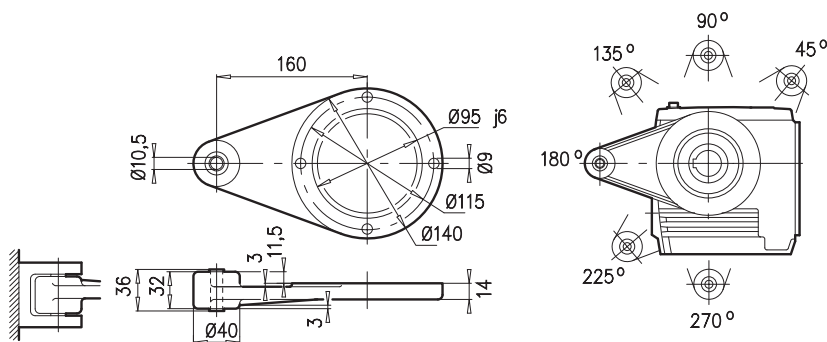
SK 13063AZB



SK 13063AZSH



SK 13063AZD

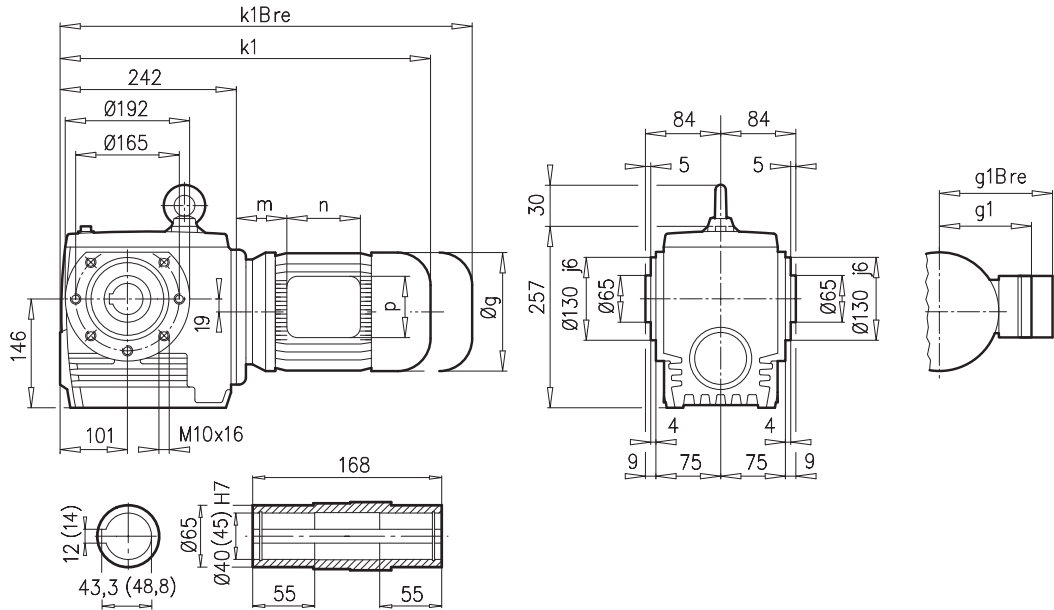


$\pm \Rightarrow$ A61	63 S/L							
g	130							
g1 / g1Bre	115 / 123							
k1 / k1Bre	450 / 506							
o / oBre	192 / 248							
m / mBre	16 / 22							
n / nBre	100 / 134							
p / pBre	100 / 89							

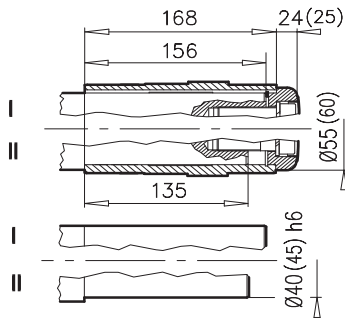
W \Rightarrow F52
IEC \Rightarrow A12



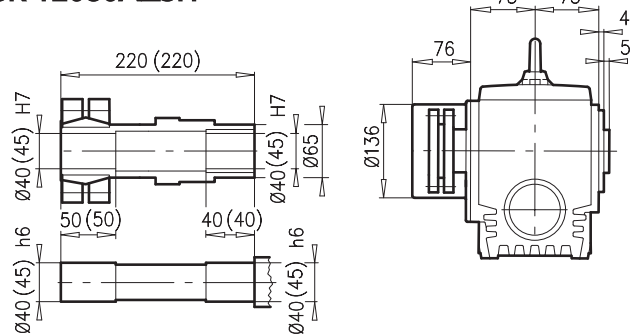
SK 12080AZ



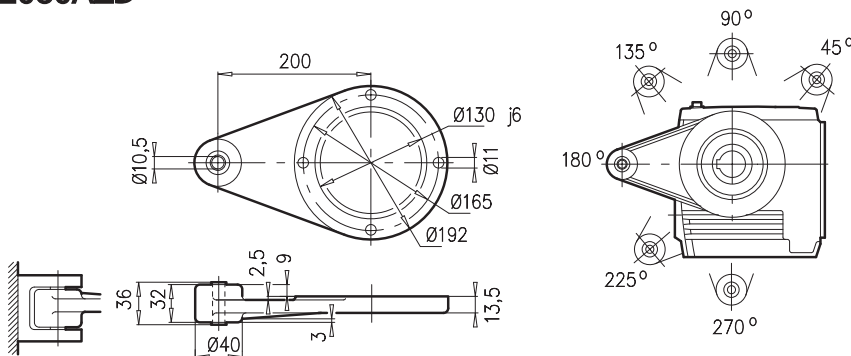
SK 12080AZB ⇨ A27



SK 12080AZSH ⇨ A22



SK 12080AZD

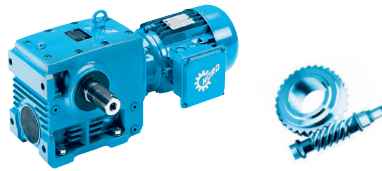


± ⇨ A61	63 S/L	71 S/L	80 S/SH	80 LP	90 SP/LP	100 LP/AP	112 MP	
g	130	145	165	165	183	201	228	
g1 / g1Bre	115 / 123	124 / 132	142 / 142	142 / 142	147 / 147	169 / 173	179 / 182	
k1 / k1Bre	438 / 494	478 / 536	503 / 567	503 / 567	544 / 619	574 / 665	622 / 715	
o / oBre	192 / 248	236 / 294	261 / 325	261 / 325	302 / 377	332 / 423	380 / 473	
m / mBre	16 / 22	42 / 43	47 / 51	47 / 51	52 / 56	58 / 62	74 / 78	
n / nBre	100 / 134	100 / 134	114 / 153	114 / 153	114 / 153	114 / 153	114 / 153	
p / pBre	100 / 89	100 / 89	114 / 108	114 / 108	114 / 108	114 / 108	114 / 108	

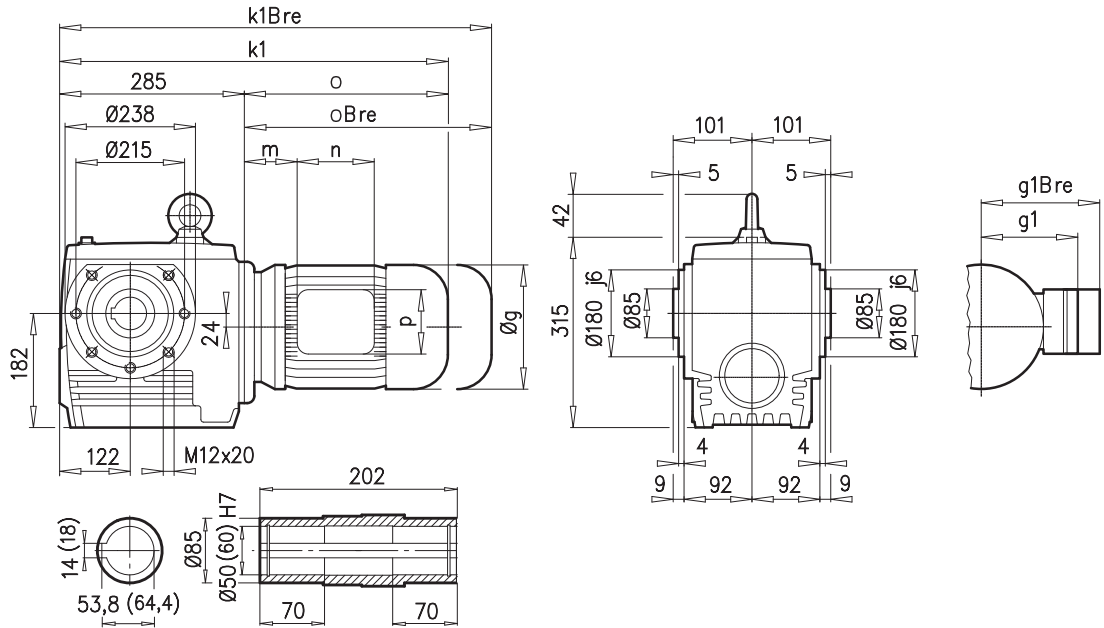


W ⇨ F52
IEC ⇨ A12

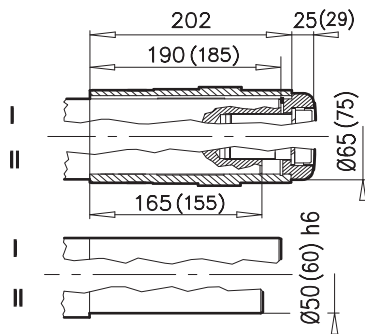




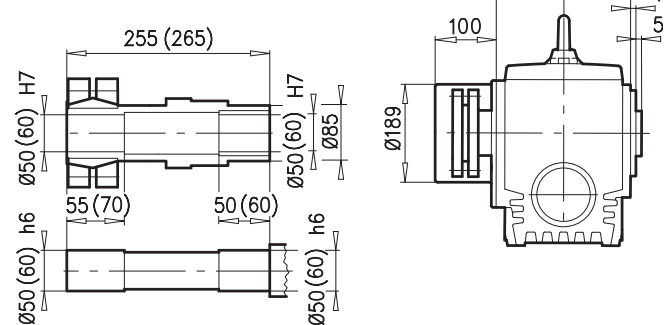
SK 32100AZ



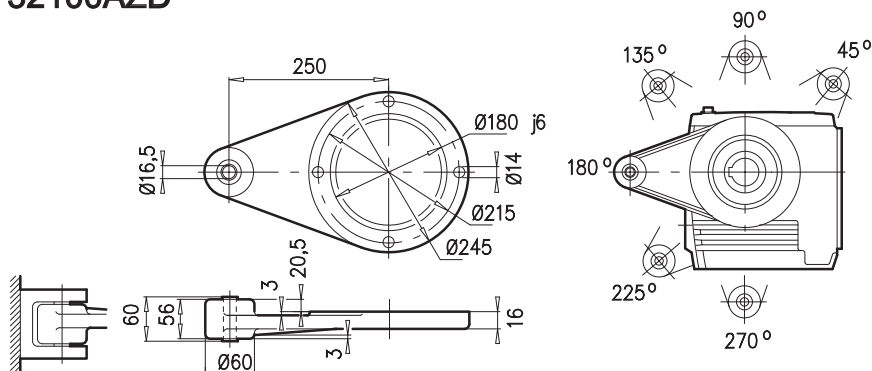
SK 32100AZB



SK 32100AZSH



SK 32100AZD

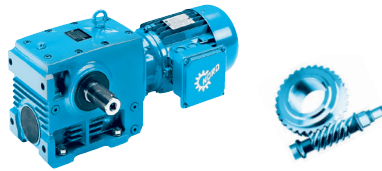


± ⇒ A61	71 S/L	80 S/SH	80 LP	90 SP/LP	100 LP/AP	112 MP	132 SP/MP	
g	145	165	165	183	201	228	266	
g1 / g1Bre	124 / 132	142 / 142	142 / 142	147 / 147	169 / 173	179 / 182	204 / 201	
k1 / k1Bre	515 / 573	540 / 604	540 / 604	581 / 656	611 / 702	659 / 752	723 / 830	
o / oBre	230 / 288	255 / 319	255 / 319	296 / 371	326 / 417	374 / 467	435 / 542	
m / mBre	36 / 42	41 / 45	41 / 45	46 / 50	52 / 56	68 / 72	71 / 51	
n / nBre	100 / 134	114 / 153	114 / 153	114 / 153	114 / 153	114 / 153	122 / 185	
p / pBre	100 / 89	114 / 108	114 / 108	114 / 108	114 / 108	114 / 108	122 / 139	

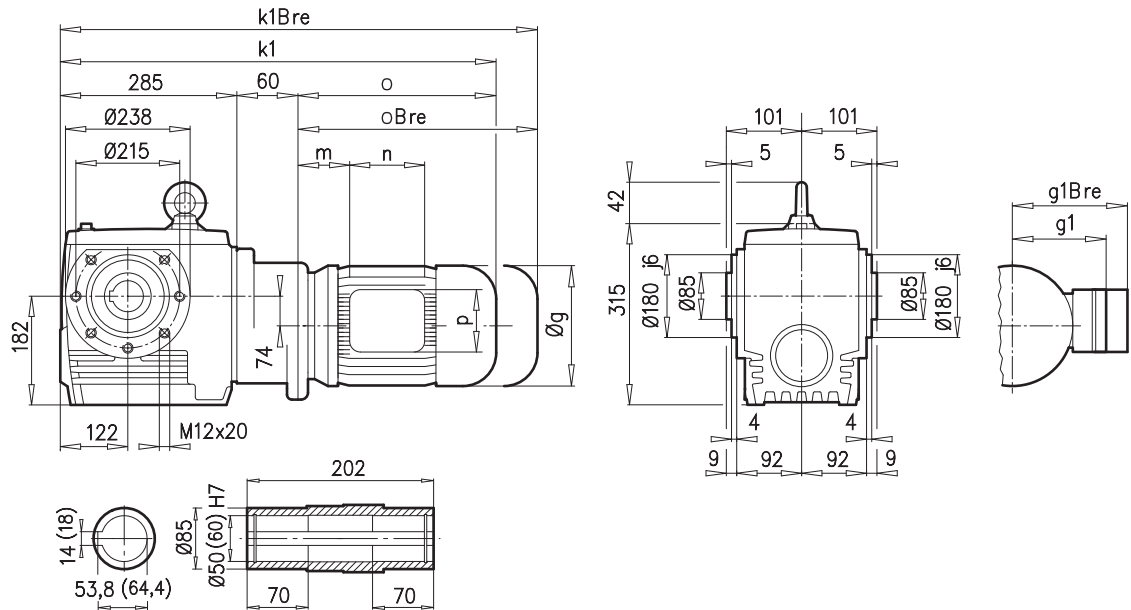


W ⇒ F53
IEC ⇒ A12

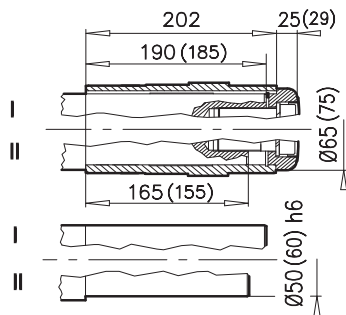




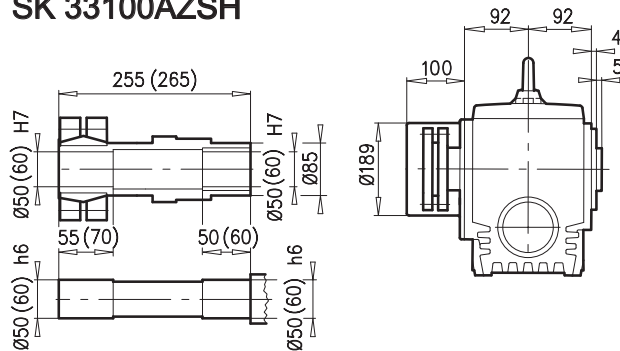
SK 33100AZ



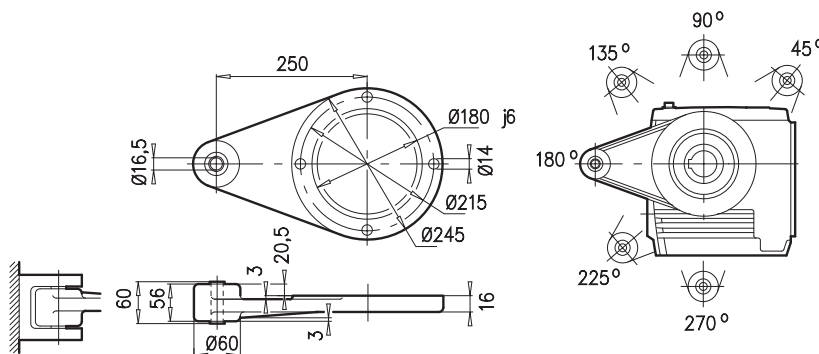
SK 33100AZ



SK 33100AZSH



SK 33100AZD



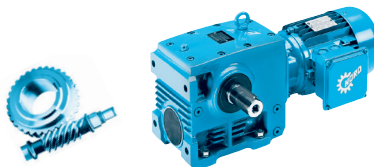
± ⇒ A61	63 S/L	71 S/L	80 S/SH	80 LP	90 SP/LP			
g	130	145	165	165	183			
g1 / g1Bre	115 / 123	124 / 132	142 / 142	142 / 142	147 / 147			
k1 / k1Bre	542 / 598	582 / 640	607 / 671	607 / 671	648 / 723			
o / oBre	192 / 248	236 / 294	261 / 325	261 / 325	302 / 377			
m / mBre	16 / 22	42 / 43	47 / 51	47 / 51	52 / 56			
n / nBre	100 / 134	100 / 134	114 / 153	114 / 153	114 / 153			
p / pBre	100 / 89	100 / 89	114 / 108	114 / 108	114 / 108			



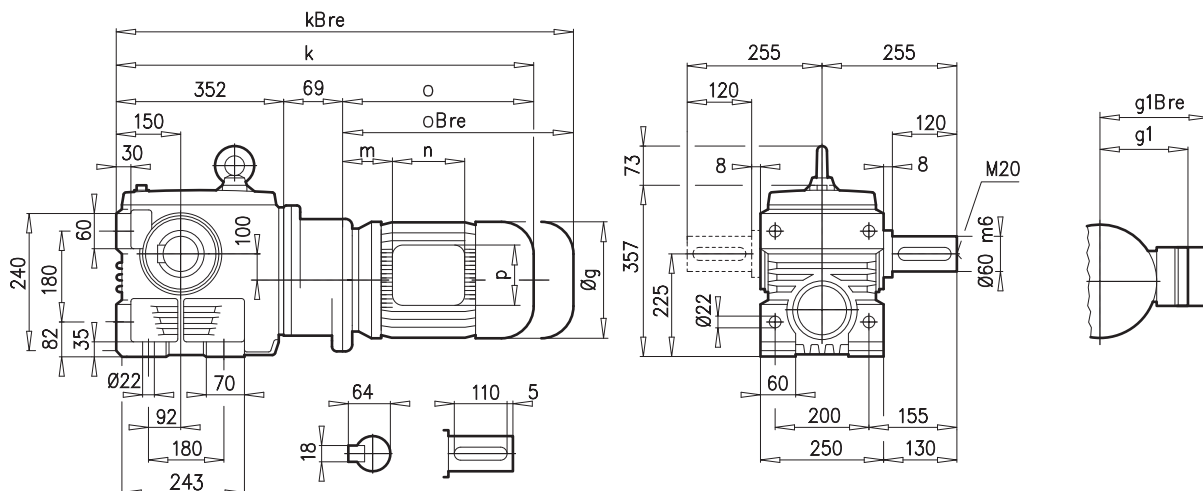
W ⇒ F52
IEC ⇒ A12



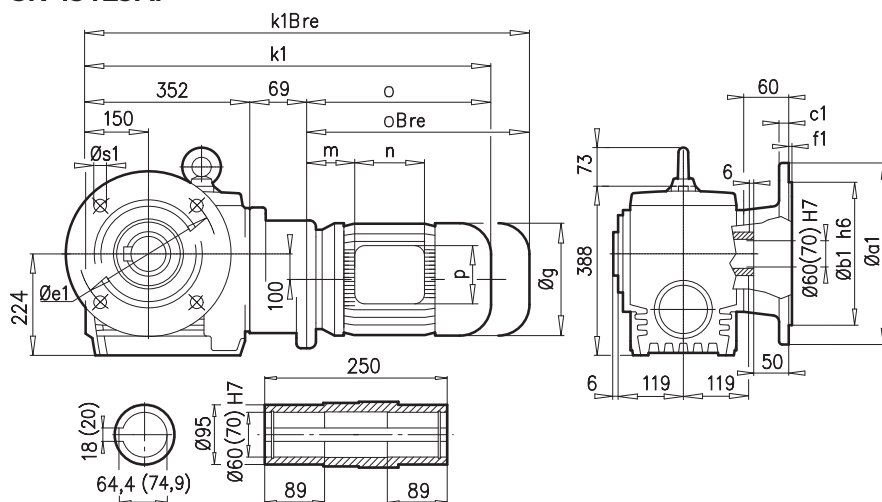
SK 43125



SK 43125

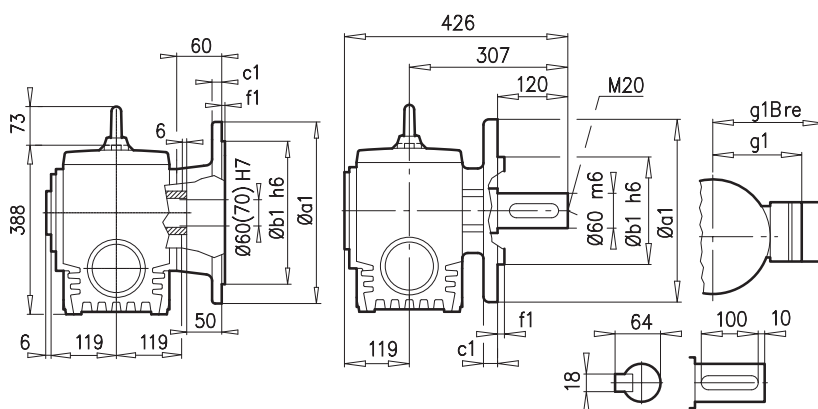


SK 43125AF



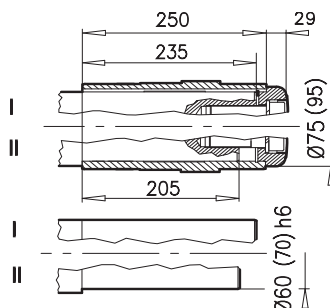
a1	b1	c1	e1	f1	s1
400	300	20	350	5	4 x 18
450	350	22	400	5	8 x 18

SK 43125VF



a1	b1	c1	e1	f1	s1
350	250	20	300	5	4 x 18

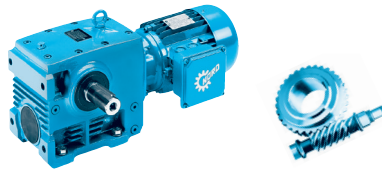
SK 43125AFB



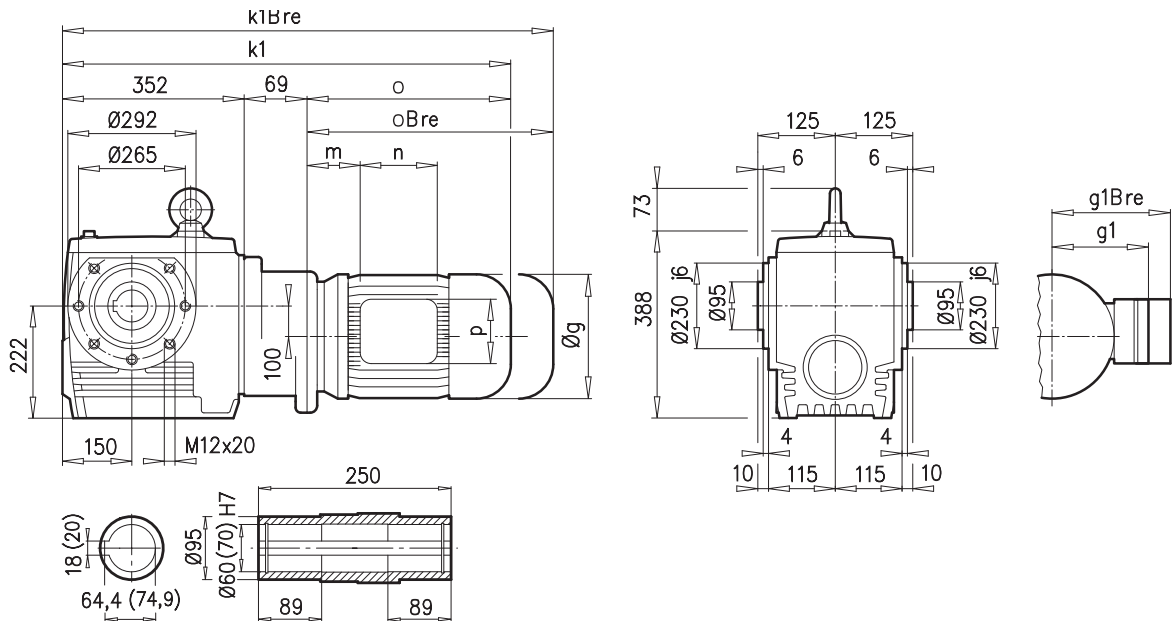
$\pm \Rightarrow$ A61	71 S/L	80 SH	80 LP	90 SP/LP	100 LP/AP	112 MP		
g	145	165	165	183	201	228		
g1 / g1Bre	124 / 132	142 / 142	142 / 142	147 / 147	169 / 173	179 / 182		
k / kBre	652 / 710	677 / 741	677 / 741	718 / 793	748 / 839	796 / 889		
o / oBre	230 / 288	255 / 319	255 / 319	296 / 371	326 / 417	374 / 467		
m / mBre	36 / 42	41 / 45	41 / 45	46 / 50	52 / 56	68 / 72		
n / nBre	100 / 134	114 / 153	114 / 153	114 / 153	114 / 153	114 / 153		
p / pBre	100 / 89	114 / 108	114 / 108	114 / 108	114 / 108	114 / 108		



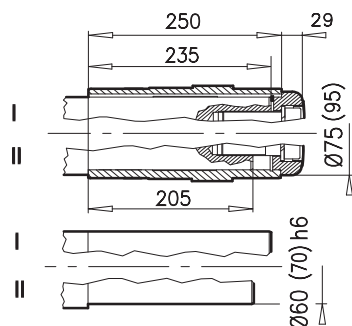
Helical-worm gear units



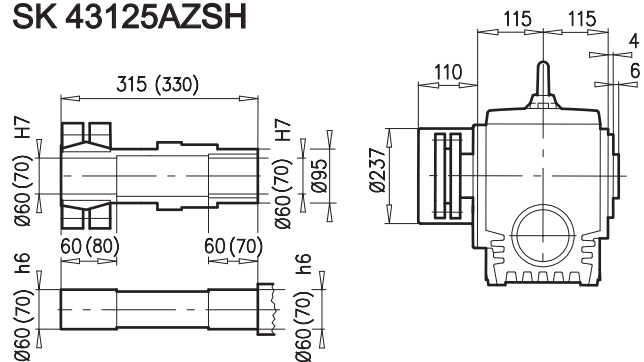
SK 43125AZ



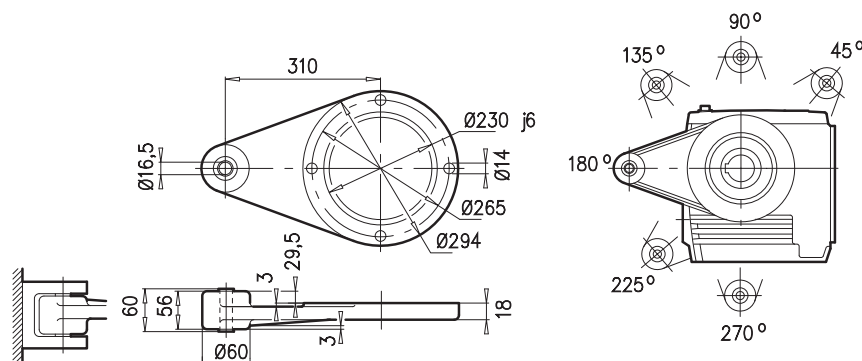
SK 43125AZB



SK 43125AZSH



SK 43125AZD

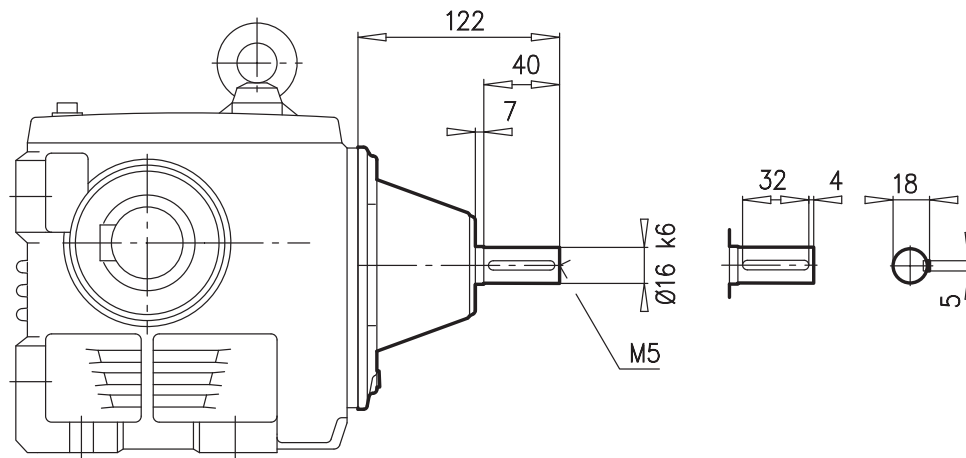


± ⇒ A61	71 S/L	80 SH	80 LP	90 SP/LP	100 LP/AP	112 MP		
g	145	165	165	183	201	228		
g1 / g1Bre	124 / 132	142 / 142	142 / 142	147 / 147	169 / 173	179 / 182		
k / kBre	652 / 710	677 / 741	677 / 741	718 / 793	748 / 839	796 / 889		
o / oBre	230 / 288	255 / 319	255 / 319	296 / 371	326 / 417	374 / 467		
m / mBre	36 / 42	41 / 45	41 / 45	46 / 50	52 / 56	68 / 72		
n / nBre	100 / 134	114 / 153	114 / 153	114 / 153	114 / 153	114 / 153		
p / pBre	100 / 89	114 / 108	114 / 108	114 / 108	114 / 108	114 / 108		

W ⇒ F53
 IEC ⇒ A12



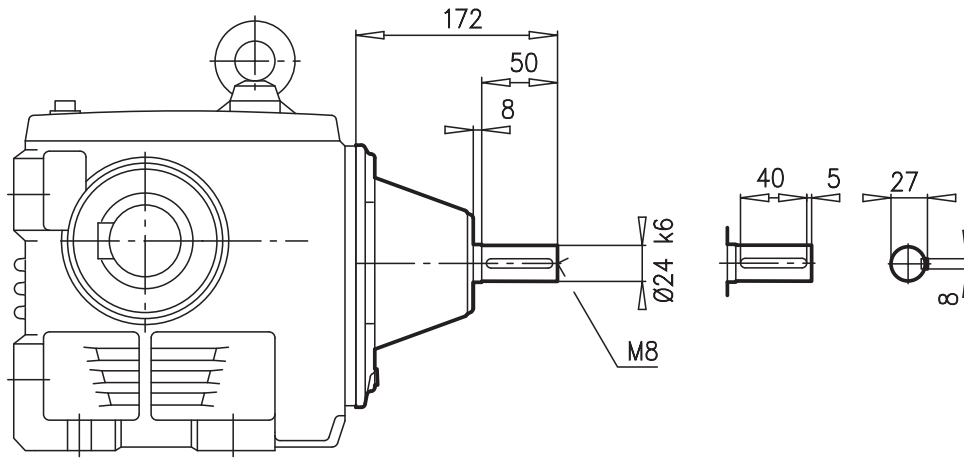
SK ... - W



Type	⇒
SK 02050	F32-F33
SK 12063	F36-F37
SK 12080	F40-F41
SK 13050	F34-F35
SK 13063	F38-F39
SK 13080	F42-F43
SK 33100	F46-F47



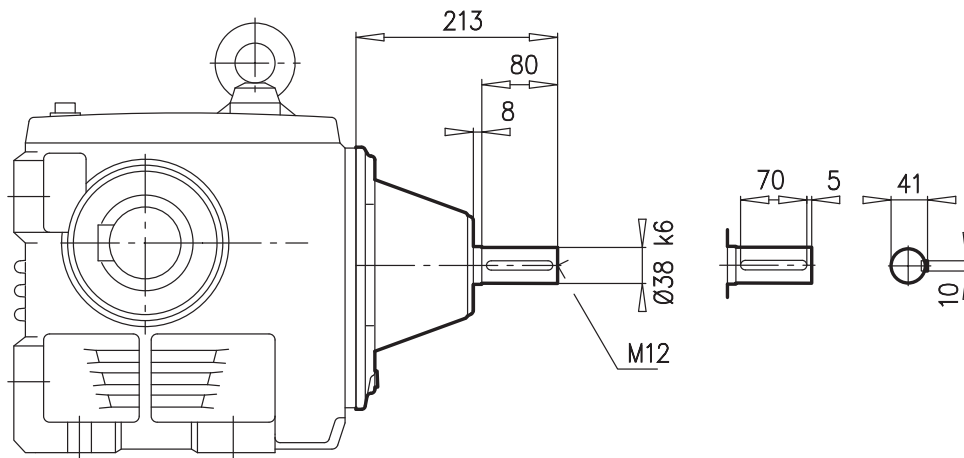
SK ... - W



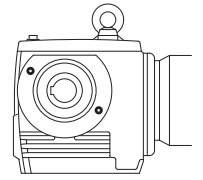
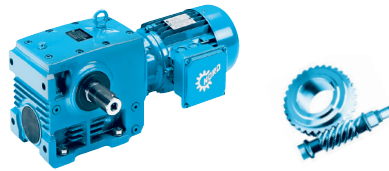
Type	⇒
SK 32100	F44-F45
SK 43125	F50-F51



SK ... - W

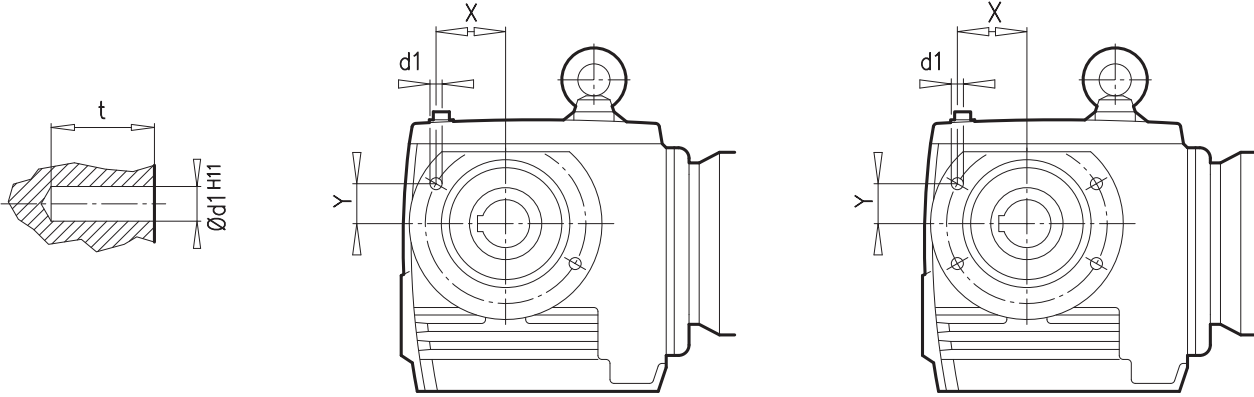


Type	↗ 📖
SK 42125	F48-F49

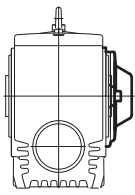


SK 02050AZ - SK 33100AZ

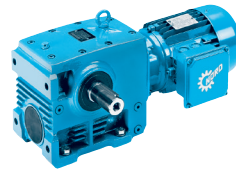
**SK 42125AZ
SK 43125AZ**



⇒ A61		d1^{H11}	X	Y
SK 02050	AZ	2 x \varnothing 8 x 12	56,14	12,45
SK 13050	AZ	2 x \varnothing 8 x 12	56,14	12,45
SK 12063	AZ	2 x \varnothing 8 x 12	56,14	12,45
SK 13063	AZ	2 x \varnothing 8 x 12	56,14	12,45
SK 12080	AZ	2 x \varnothing 10 x 15	80,54	17,86
SK 13080	AZ	2 x \varnothing 10 x 15	80,54	17,86
SK 32100	AZ	2 x \varnothing 12 x 20	104,95	23,27
SK 33100	AZ	2 x \varnothing 12 x 20	104,95	23,27
SK 42125	AZ	4 x \varnothing 12 x 20	111,75	71,19
SK 43125	AZ	4 x \varnothing 12 x 20	111,75	71,19

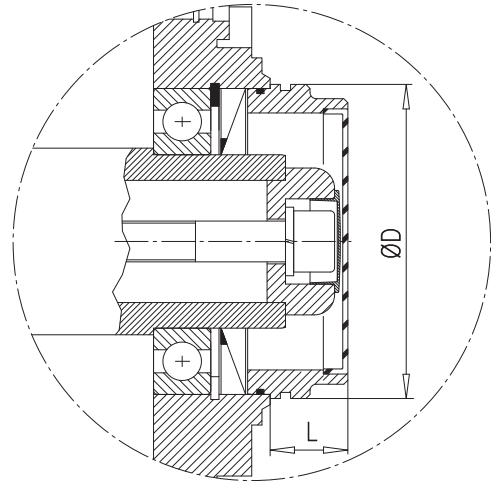
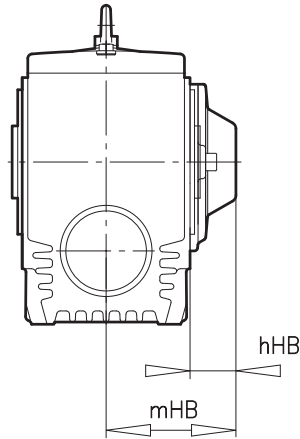
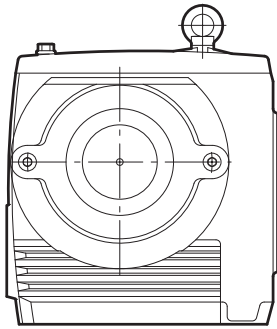


AZH



SK ... AZH

SK ... AZH 66

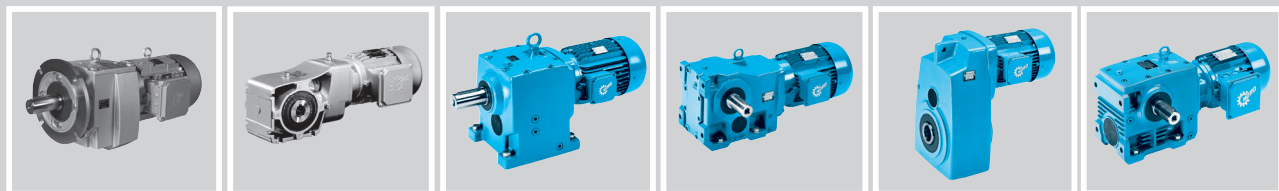


⇒ A61		hHB	mHB
SK 02050	AZH	37	97
SK 13050	AZH		
SK 12063	AZH	37	104
SK 13063	AZH		
SK 12080	AZH	41	116
SK 13080	AZH		
SK 32100	AZH	49	141
SK 33100	AZH		
SK 42125	AZH	53	168
SK 43125	AZH		

⇒ A61		D	L
SK 02050	AZH66	80	25
SK 13050	AZH66		
SK 12063	AZH66	85	28
SK 13063	AZH66		
SK 12080	AZH66	104	35
SK 13080	AZH66		
SK 32100	AZH66	135	40
SK 33100	AZH66		
SK 42125	AZH66	150	40
SK 43125	AZH66		

APPENDIX

General enquiry form G 2





Enquiry form



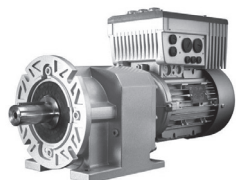
This general enquiry form can be found in the attachment as well as on the NORD homepage under www.nord.com - Heading DOCUMENTATION / FORMS.



General enquiry form

Company	<input type="text"/>	 	NORD DRIVESYSTEMS Rudolf-Diesel-Straße 1 D-22941 Bargteheide Tel.: +49(0) 4532/401-0 Fax: +49(0)4532/401-254 E-Mail info@nord.com www.nord.com	
Street	<input type="text"/>			
Town	<input type="text"/>		Post-code	<input type="text"/>
Contact	<input type="text"/>			
Tel.:	<input type="text"/>		Customer No.	<input type="text"/>
Fax:	<input type="text"/>		Application	<input type="text"/>
Email	<input type="text"/>	Project	<input type="text"/>	

Components required			
<input type="radio"/> Gear unit motor	<input type="radio"/> IEC – Gear unit motor	<input type="radio"/> Gear unit with free shaft end	<input type="radio"/> Stand-alone motor
Quantity	<input type="text"/>	Type	<input type="text"/>



Parameters specific to the gear unit	
Version	<input type="text"/>
Gear ratio	<input type="text"/>
Flange	<input type="radio"/> B14 <input type="radio"/> B5 \varnothing <input type="text"/> [mm]
	<input type="radio"/> Hollow shaft <input type="radio"/> Solid shaft \varnothing <input type="text"/> x <input type="text"/> [mm]
Output speed at mains frequency n_2	<input type="text"/> [min^{-1}]
Output torque M_2	<input type="text"/> [Nm]
Min. operating factor f_b	<input type="text"/>
Min. bearing life L_h	<input type="text"/> [N]
Radial forces on output shaft F_{R2}	<input type="text"/> [N]
Axial forces on output shaft F_{A2}	<input type="text"/> [N]
Dist. from shaft collar to point of action of force	<input type="text"/> [mm]

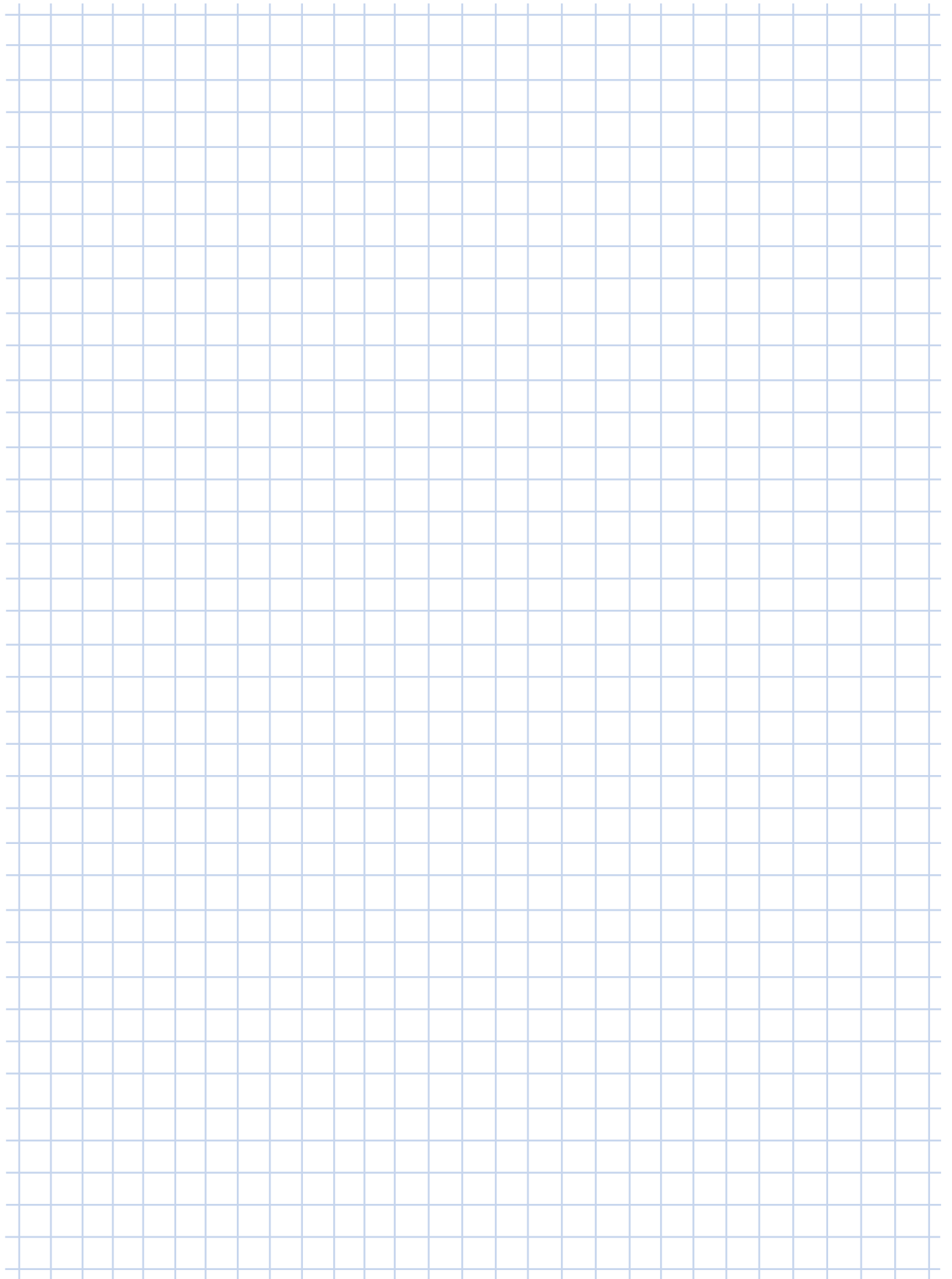
Parameters specific to gear unit	
Bearings	<input type="radio"/> Normal <input type="radio"/> VL <input type="radio"/> VL2 <input type="radio"/> VL3 <input type="radio"/> AL
For bevel gear or worm gear units	Shaft at <input type="radio"/> A <input type="radio"/> B
Oil type	<input type="radio"/> Mineral <input type="radio"/> Synthetic <input type="radio"/> Foodstuff-compatible oil <input type="radio"/> Special oil type <input type="text"/>
Parameters specific to motor	
Effective motor power	<input type="text"/> [kW]
Motor speed n_1	<input type="text"/> [min^{-1}]
Temperature sensor (PTC)	<input type="radio"/> Bi-metal temperature monitor <input type="radio"/>
Mains voltage	<input type="text"/> [V] +/- <input type="text"/> [%]
Mains frequency	<input type="text"/> [Hz]



General enquiry form

Parameters specific to motor	Outline conditions
Insulation class F <input checked="" type="checkbox"/>	Ambient temperatures <input type="text"/> from <input type="text"/> [°C]
Protection class <input type="radio"/> IP55 (Standard) <input type="radio"/> IP <input type="text"/>	<input type="checkbox"/> Buffer mounting for travelling drives <input type="text"/> [Nm]
Operating mode <input type="radio"/> S1 (Standard) <input type="radio"/> S <input type="text"/> <input type="text"/> [%]	<input type="checkbox"/> Relative humidity <input type="text"/> [%]
Switching frequency <input type="text"/> [c/h]	<input type="checkbox"/> Exposure to direct sunlight
The relative switch-on time <input type="text"/> [%]	<input type="checkbox"/> Aggressive media (e.g.: salty air)
Terminal box at <input type="text"/> Cable gland at <input type="text"/>	<input type="checkbox"/> Increased installation altitude <input type="text"/> [m]
Parameters specific to brake	<input type="checkbox"/> Precipitation
Rated brake torque <input type="text"/> [Nm]	<input type="checkbox"/> ATEX (explosive mixtures in the vicinity) Zone <input type="text"/>
Rated brake voltage <input type="text"/> [V]	Painting
<input type="radio"/> Holding brake / emergency brake <input type="radio"/> Service brake	<input type="radio"/> Not painted
Frequency inverter operation	<input type="radio"/> Paint 1.0 - Primer
<input type="radio"/> Control cabinet inverter <input type="radio"/> Motor-mounted inverter	<input type="radio"/> Paint 2.0 - standard
Adjustment range from <input type="text"/> [Hz] to <input type="text"/> [Hz]	<input type="radio"/> Paint 3.0 - normal environmental contamination
<input type="checkbox"/> Constant torque within adjustment range <input type="text"/> [Nm]	<input type="radio"/> Paint 3.1 - moderate environmental contamination
<input type="checkbox"/> External fan	<input type="radio"/> Paint 3.2 - severe environmental contamination
<input type="checkbox"/> Increase in motor size (with constant torque)	<input type="radio"/> Other painting (e.g.: Z, 3.4 or 3.5) <input type="text"/>
<input type="checkbox"/> Positioning <input type="radio"/> Incremental <input type="radio"/> Absolute	<input type="checkbox"/> Special colour (Standard RAL7031) RAL <input type="text"/>
<input type="checkbox"/> Speed feedback	<input type="checkbox"/> Regulations DIN EN, etc., please state <input type="text"/>
<input type="checkbox"/> Generator operation for power feedback <input type="text"/> [kW]	General conditions
<input type="checkbox"/> Bus system- type of bus system <input type="text"/>	Quote by <input type="text"/>
<input type="checkbox"/> Control via <input type="radio"/> PC <input type="radio"/> Control box	Purchasing conditions known <input type="radio"/> not known <input type="radio"/>
	Purchasing conditions attached <input type="checkbox"/>
	Delivery time after receipt of order <input type="text"/>
	Delivery carriage paid <input type="checkbox"/>

Comments	<input style="width: 100%;" type="text"/>
----------	---



An overview of the NORD range

G1000 Fixed speeds

UNICASE housing 50 Hz, 60 Hz

- NORDBLOC.1 Helical geared motors
- Helical geared motors
- Parallel geared motors
- Bevel geared motors
- Helical worm geared motors

G4014 Electronic variable speed drives

- NORDBLOC.1 Helical geared motors
- Helical geared motors
- Parallel geared motors
- Bevel geared motors
- Helical worm geared motors

G1050 MAXXDRIVE® Industrial gear units

UNICASE housing 50 / 60 Hz

- Parallel-Axis
- Right-Angle

G1035 UNIVERSAL Schneckengetriebe

- SI and SMI

F3018_E3000 Frequency inverter SK180E

F3020_E3000 Frequency inverter SK200E

F3060_E3000 NORDAC PRO Frequency inverter SK500P





NORD DRIVESYSTEMS Group

Headquarters and Technology center
in Bargteheide close to Hamburg

Innovative drive solutions
for more than 100 branches of industry

Mechanical products
parallell shaft, helical gear, bevel gear and worm gear units

Electrical products
IE2/IE3/IE4 motors

Electronic products
centralised and decentralised frequency inverters,
motor starters and field distribution systems

7 state-of-the-art production plants
for all drive components

Subsidiaries and distributors
in 98 countries on 5 continents
provide local stocks, assembly, production,
technical support and customer service

More than 4,000 employees throughout the world
create customer oriented solutions

www.nord.com/locator

Headquarters:

Getriebebau NORD GmbH & Co. KG

Getriebebau-Nord-Straße 1
22941 Bargteheide, Germany

T: +49 (0) 4532 / 289-0

F: +49 (0) 4532 / 289-2253

info@nord.com, www.nord.com

Member of the NORD DRIVESYSTEMS Group

